



US00D933458S

(12) **United States Design Patent** (10) **Patent No.:** **US D933,458 S**  
**Brown, Jr.** (45) **Date of Patent:** **\*\* Oct. 19, 2021**

(54) **PORTABLE DOCK BOAT CLEAT**  
(71) Applicant: **Maynard H. Brown, Jr.**, Fishers  
Landing, NY (US)  
(72) Inventor: **Maynard H. Brown, Jr.**, Fishers  
Landing, NY (US)  
(\*\*) Term: **15 Years**  
(21) Appl. No.: **29/799,904**

D506,126 S \* 6/2005 Amy ..... D12/223  
D541,635 S \* 5/2007 Amy ..... D8/356  
D589,778 S \* 4/2009 Pratt ..... D8/317  
D599,567 S \* 9/2009 Kuo ..... D6/320  
D599,646 S \* 9/2009 Meyers ..... D8/370  
8,479,931 B1 \* 7/2013 Richards ..... A47H 5/0325  
211/105.2  
D733,533 S \* 7/2015 Hodges ..... D8/356  
D794,511 S \* 8/2017 Bauer ..... D12/115  
D878,186 S \* 3/2020 Toyne ..... D8/370  
D891,146 S \* 7/2020 Seum ..... D6/546  
D906,724 S \* 1/2021 Allard ..... D6/546  
D923,964 S \* 7/2021 Seum ..... D6/546

(22) Filed: **Jul. 16, 2021**  
(51) **LOC (13) Cl.** ..... **09-06**  
(52) **U.S. Cl.**  
USPC ..... **D8/356**; D12/317  
(58) **Field of Classification Search**  
USPC ..... D12/317; D8/317, 323, 349, 354, 356,  
D8/370, 382  
CPC ..... B63B 21/00; B63B 21/04; B63B 21/045;  
B63B 2021/001; B63B 2021/002; B63B  
2021/003; F16G 11/00  
See application file for complete search history.

(56) **References Cited**  
U.S. PATENT DOCUMENTS

3,547,392 A \* 12/1970 Tanzer ..... A47F 5/01  
248/691  
3,703,875 A 11/1972 Gunvalson  
D250,571 S \* 12/1978 Winslow ..... D8/356  
4,297,963 A 11/1981 Beacom  
4,465,198 A \* 8/1984 Martin ..... A47K 10/04  
211/105.3  
D302,970 S \* 8/1989 May ..... D12/317  
D321,470 S \* 11/1991 Gerrard ..... D8/356  
D379,920 S \* 6/1997 Bozzo ..... D8/368  
D408,763 S \* 4/1999 Graber ..... D12/115  
D409,118 S \* 5/1999 Graber ..... D12/115  
6,647,911 B1 11/2003 Solterbeck  
D499,956 S \* 12/2004 Wall ..... D8/370

**OTHER PUBLICATIONS**

Dock Edge PortaClea, <https://www.defender.com/product.jsp?id=2504966>.  
Portable Cleat, <http://www.docksidehelper.com/>.

\* cited by examiner

*Primary Examiner* — Christian P. McLean  
*Assistant Examiner* — Adam C Mager

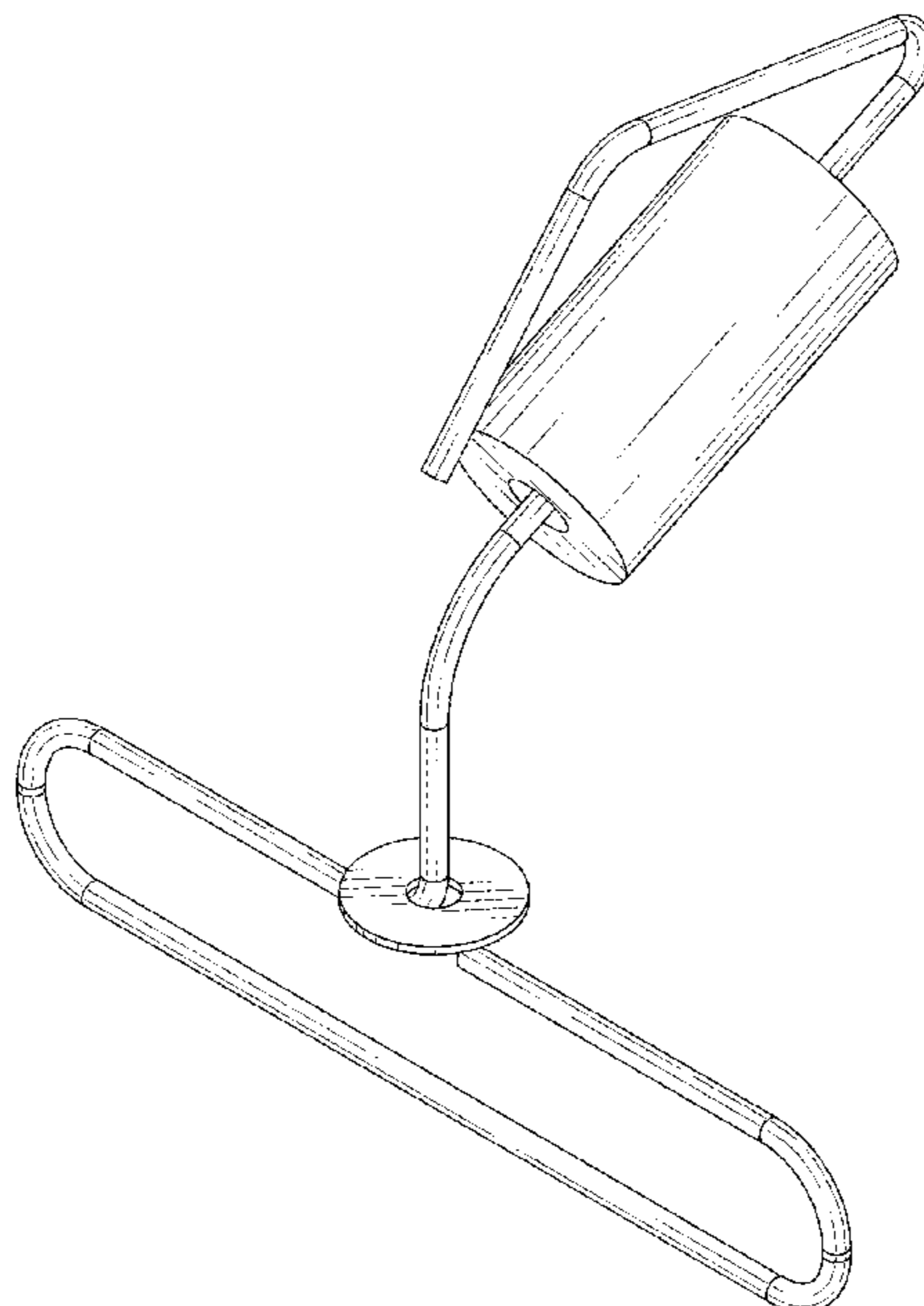
(57) **CLAIM**

The ornamental design for a portable dock boat cleat, as shown and described.

**DESCRIPTION**

FIG. 1 is a top front left perspective view of a portable dock boat cleat showing my new design;  
FIG. 2 is a bottom rear left perspective view thereof;  
FIG. 3 is a front elevational view thereof;  
FIG. 4 is a rear elevational view thereof;  
FIG. 5 is a left elevational view thereof;  
FIG. 6 is a right elevational view thereof;  
FIG. 7 is a top plan view thereof; and,  
FIG. 8 is a bottom plan view thereof.

**1 Claim, 8 Drawing Sheets**



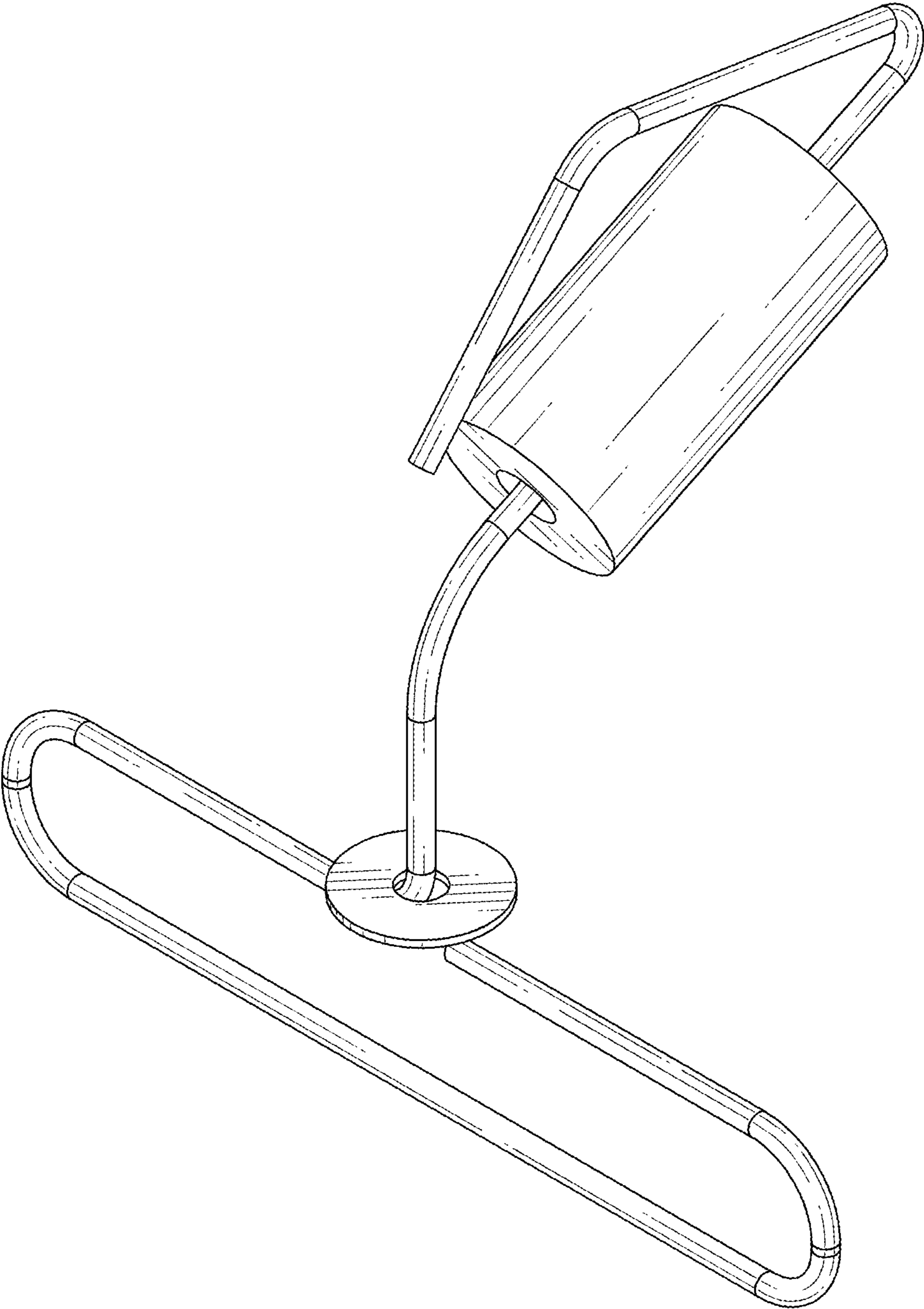


FIG. 1

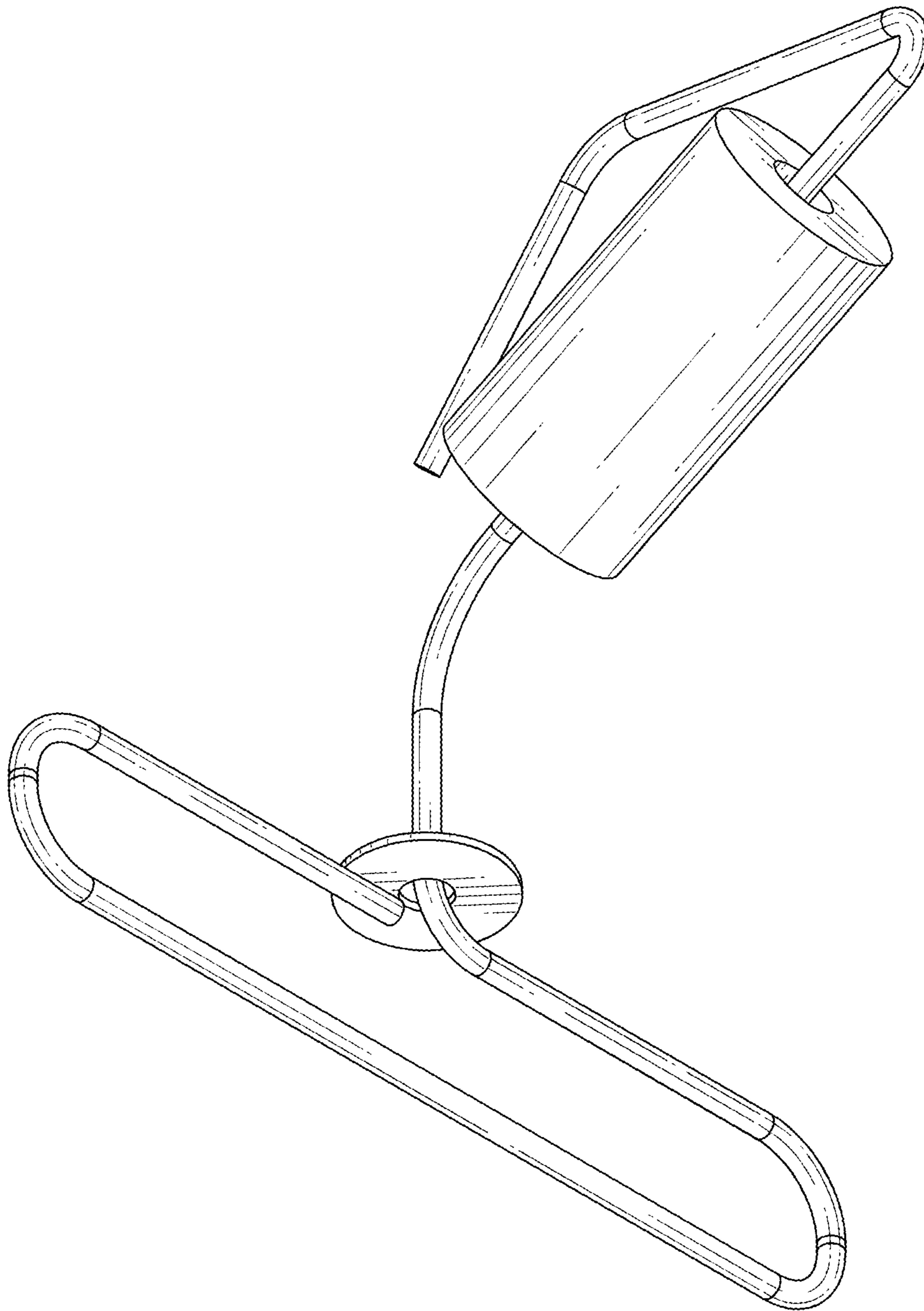


FIG. 2

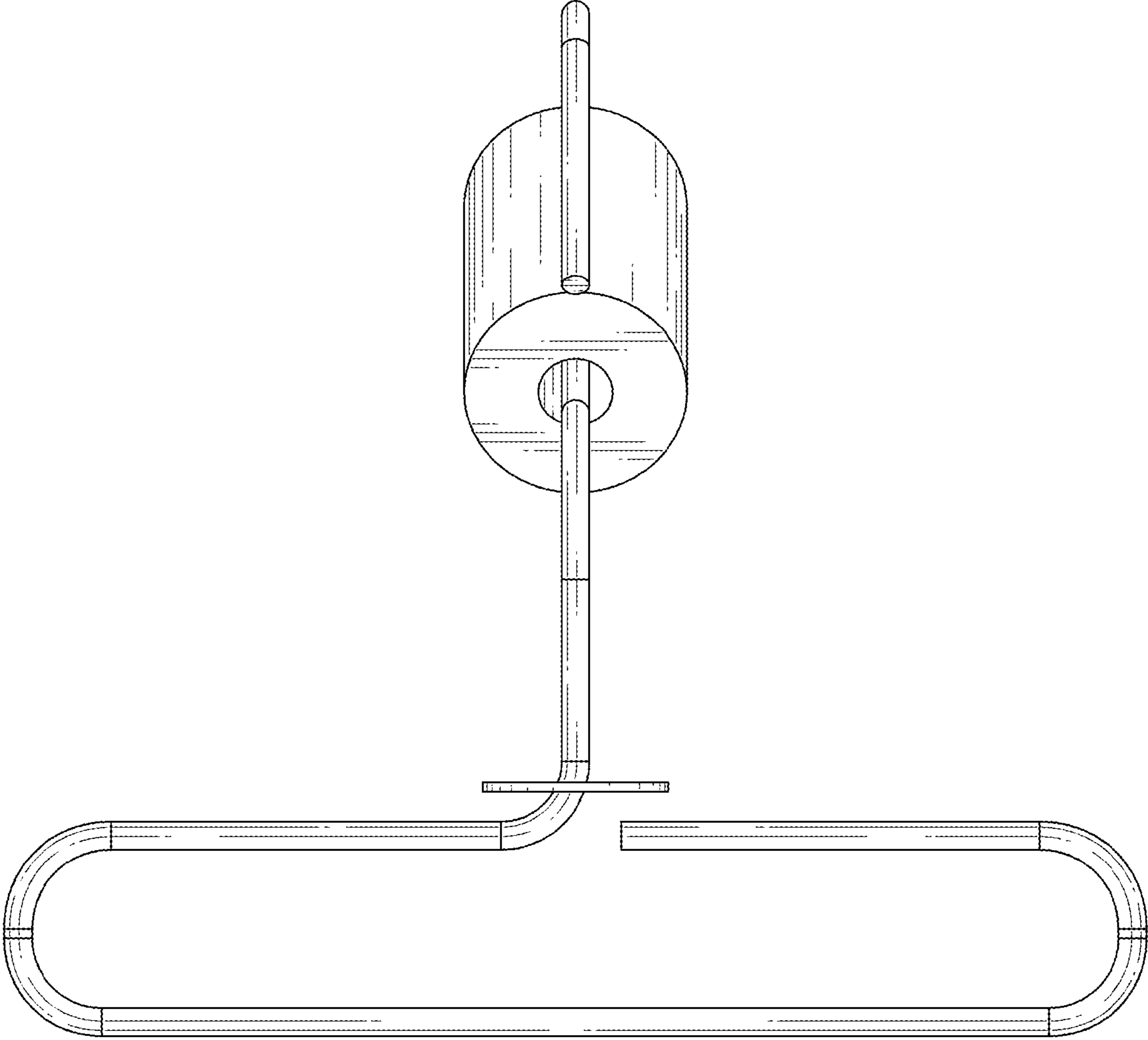


FIG. 3

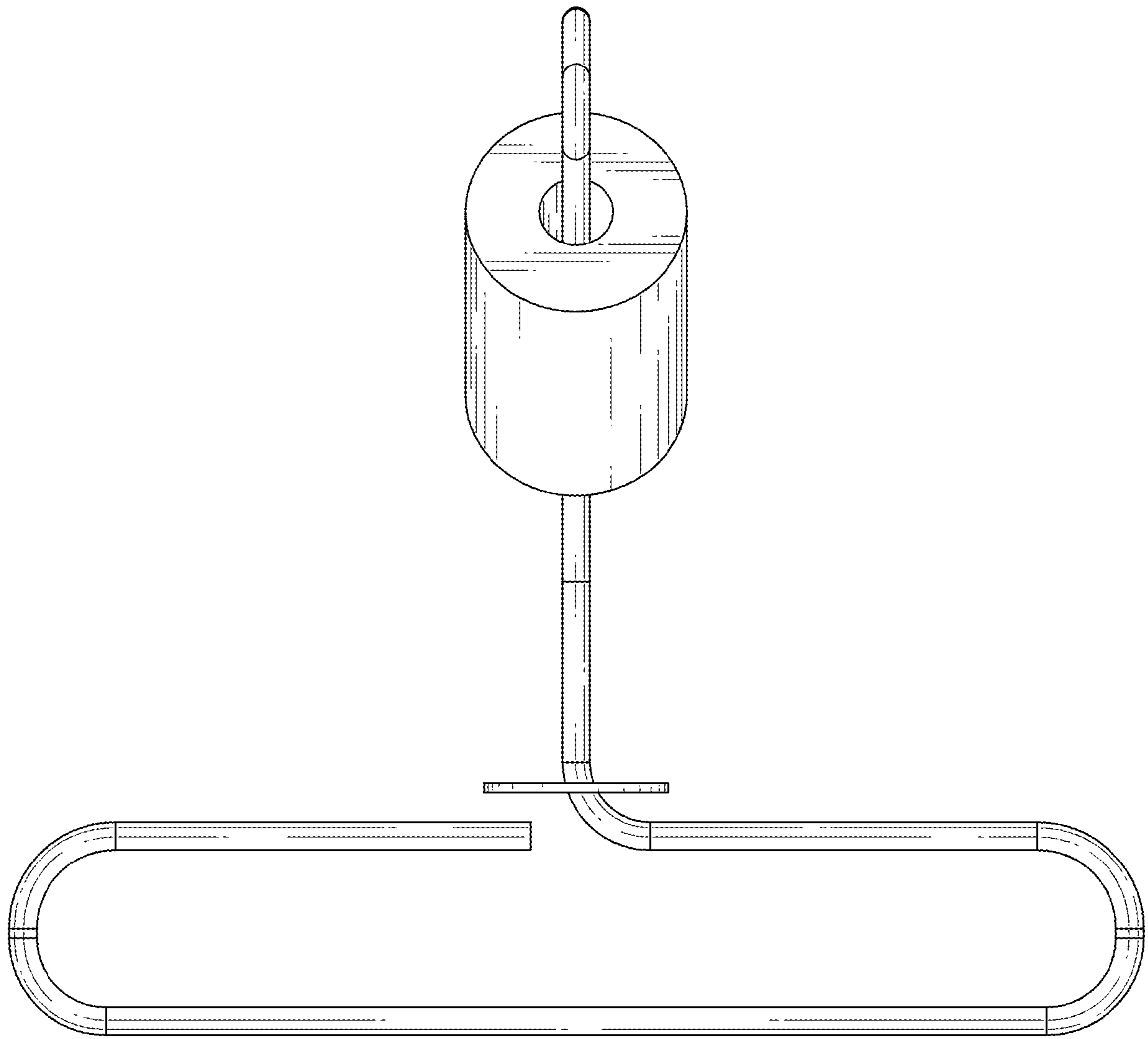


FIG. 4

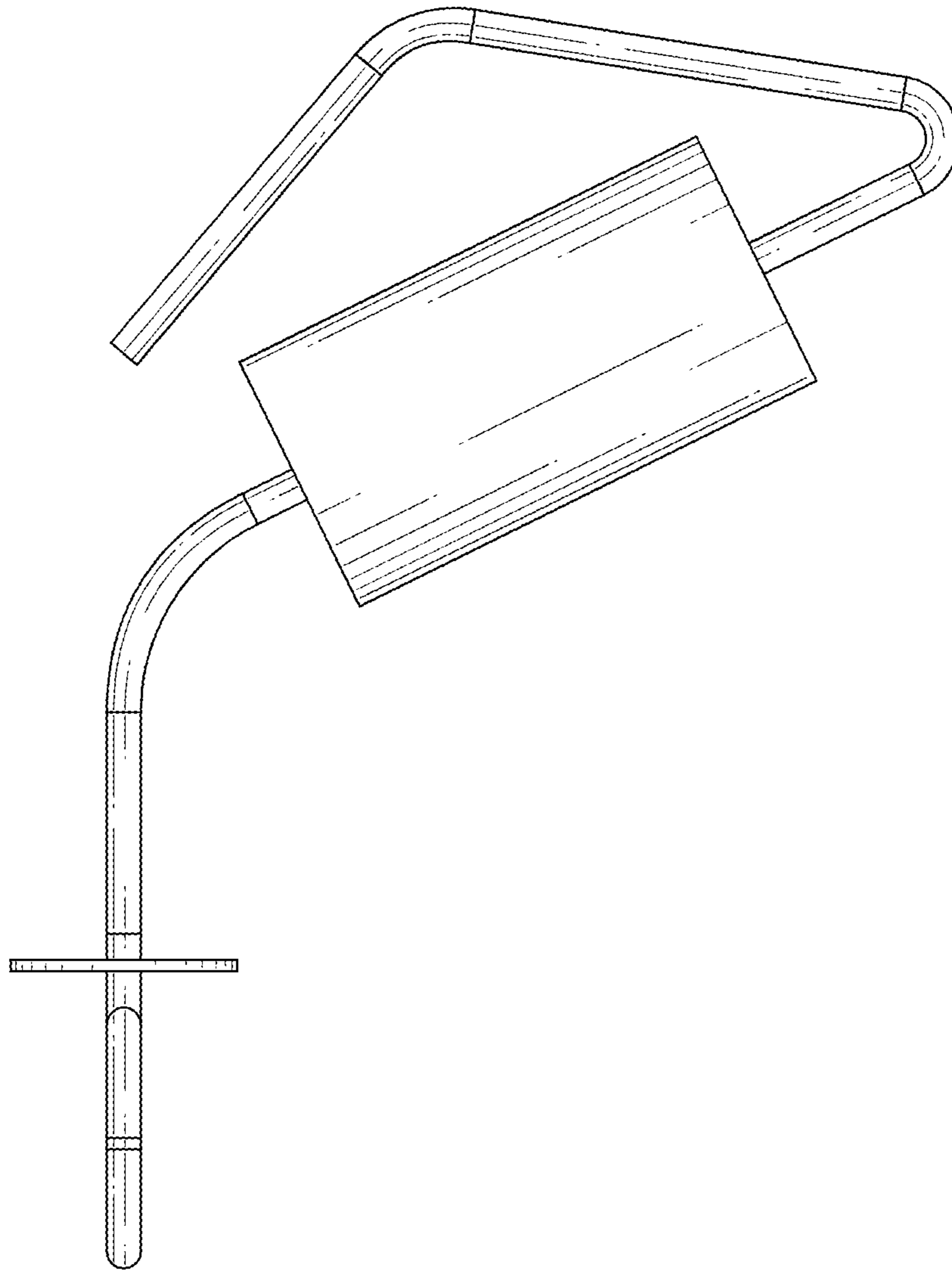


FIG. 5



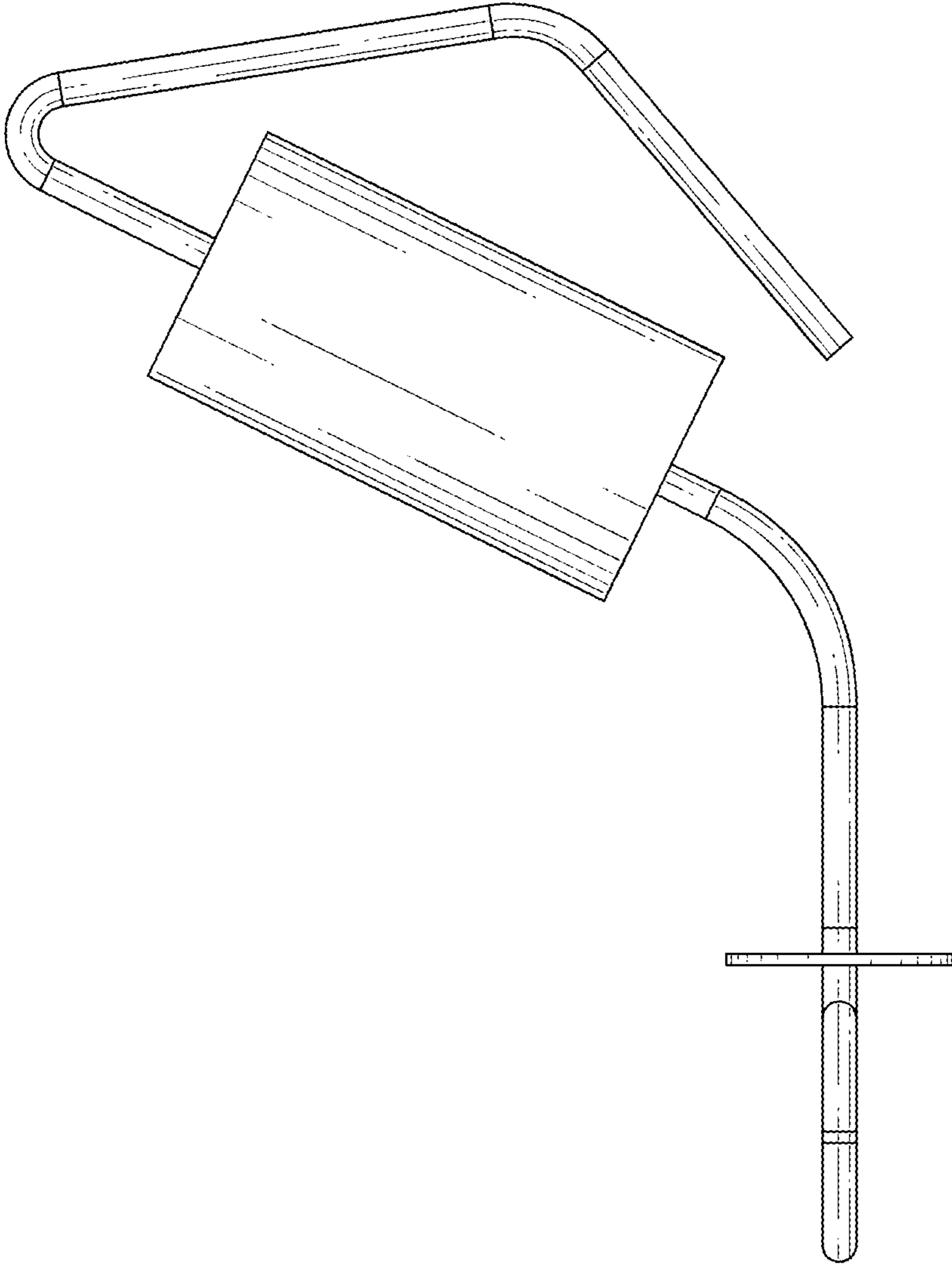


FIG. 6

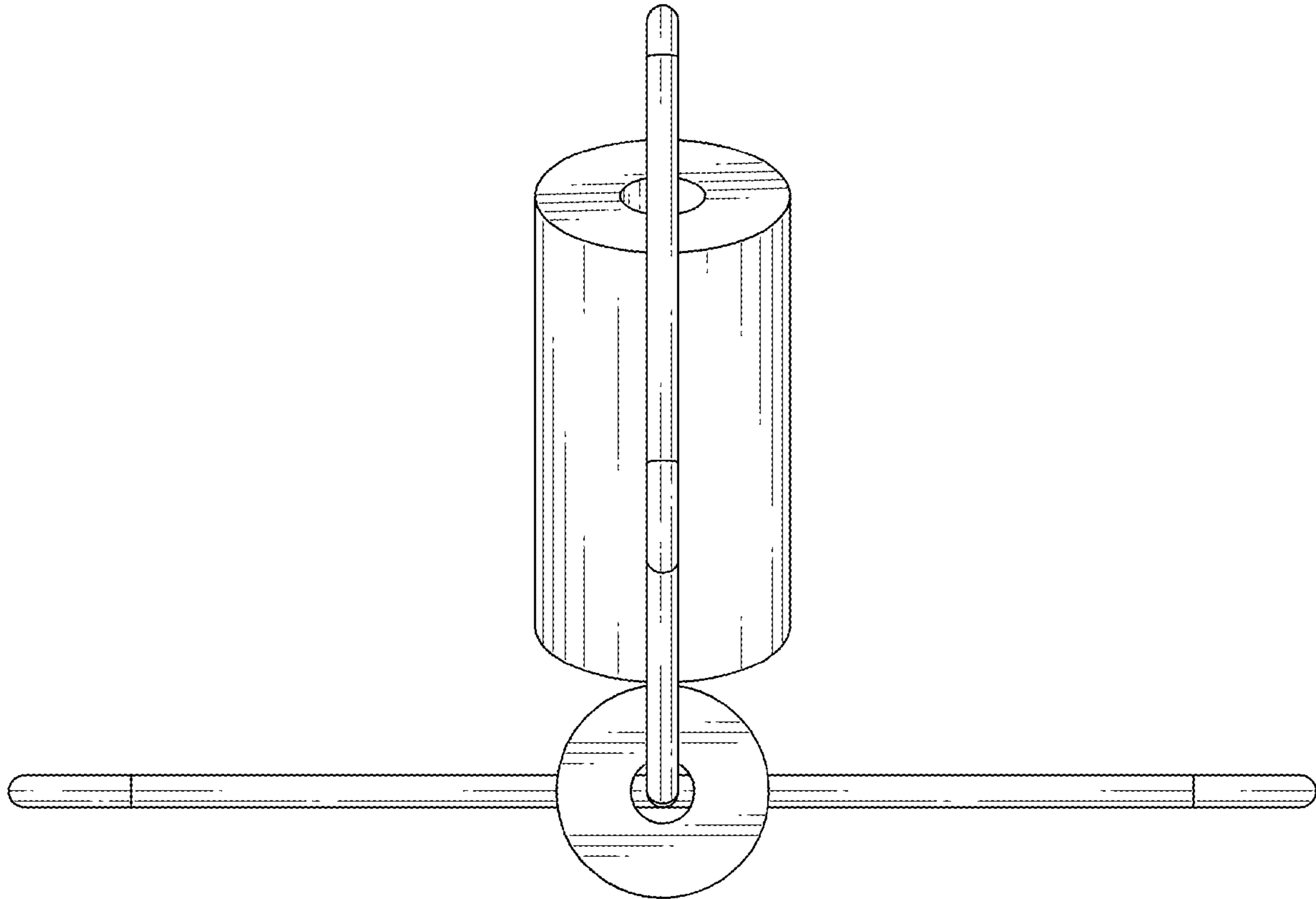


FIG. 7



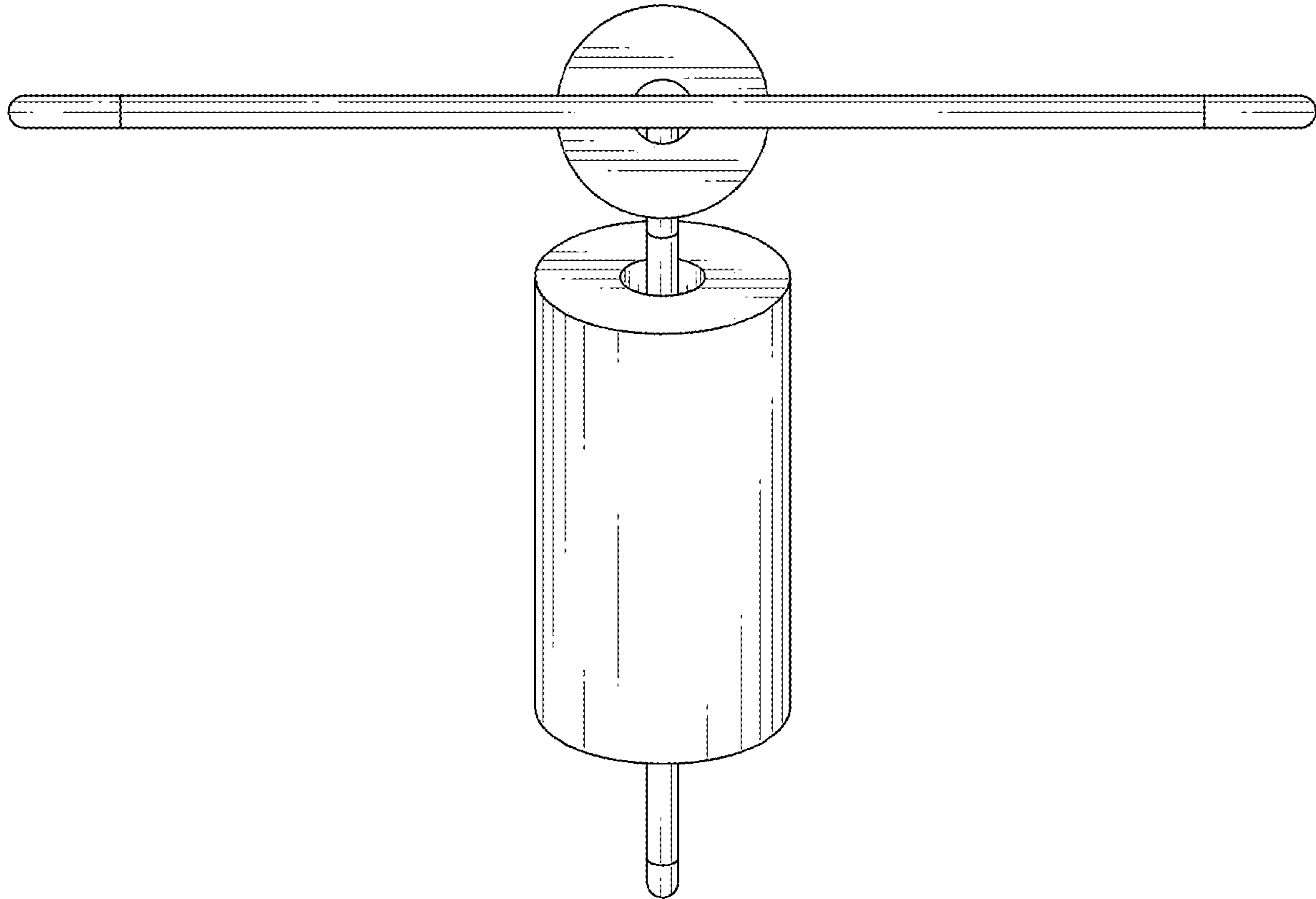


FIG. 8