



US00D933457S

(12) **United States Design Patent**  
**Tulsiani et al.**

(10) **Patent No.:** **US D933,457 S**

(45) **Date of Patent:** **\*\* Oct. 19, 2021**

(54) **CABLE CLIP**

(71) Applicants: **Deepesh Tulsiani**, Chester, VA (US);  
**Kamna Wadhwa**, Chester, VA (US)

(72) Inventors: **Deepesh Tulsiani**, Chester, VA (US);  
**Kamna Wadhwa**, Chester, VA (US)

(\*\*) Term: **15 Years**

(21) Appl. No.: **29/717,348**

(22) Filed: **Dec. 17, 2019**

(51) **LOC (13) Cl.** ..... **09-06**

(52) **U.S. Cl.**  
USPC ..... **D8/356**

(58) **Field of Classification Search**  
USPC ..... D6/323; D8/356, 354, 349, 358, 373,  
D8/379, 367, 394, 18, 105, 396;  
248/68.1, 89, 341; 137/355.16;  
242/400.1; 211/60.1; D24/128;  
D11/208, 218  
CPC ..... B65G 7/12; A62C 33/04; B65H 75/366  
See application file for complete search history.

7,571,744 B2 \* 8/2009 Zia ..... A61M 5/1418  
138/103

7,678,083 B2 \* 3/2010 Stephens ..... A61M 25/00  
604/174

7,806,387 B2 \* 10/2010 Wenger ..... B66D 1/36  
254/389

8,303,226 B1 \* 11/2012 Derrig ..... H01B 17/24  
411/475

9,422,962 B1 \* 8/2016 Stratton ..... F16B 15/0015

9,453,591 B1 \* 9/2016 Lin ..... F16L 3/222

9,821,144 B2 \* 11/2017 Mouri ..... A61M 25/02

D811,857 S \* 3/2018 Williams ..... D8/356

D817,152 S \* 5/2018 Ng ..... D8/354

D826,033 S \* 8/2018 Feng ..... D8/356

D836,072 S \* 12/2018 Gray ..... D13/155

10,215,313 B2 \* 2/2019 a Ko ..... F16L 57/02

D880,279 S \* 4/2020 Marchesan ..... D8/354

D883,073 S \* 5/2020 Jaramillo ..... D8/354

10,662,991 B2 \* 5/2020 Gray ..... F16B 15/08

D889,641 S \* 7/2020 Wennborg ..... D24/128

10,704,583 B2 \* 7/2020 Fairbanks ..... F16B 15/0015

\* cited by examiner

*Primary Examiner* — Cynthia R Underwood  
(74) *Attorney, Agent, or Firm* — Sanchelima & Associates  
PA; Christian Sanchelima; Jesus Sanchelima

(56) **References Cited**

**U.S. PATENT DOCUMENTS**

D29,072 S \* 7/1898 Dolby ..... D8/390

D197,188 S \* 12/1963 Anderson ..... D8/390

3,942,528 A \* 3/1976 Loeser ..... A61M 25/02  
604/174

4,840,565 A \* 6/1989 Poveromo ..... A61C 9/002  
433/74

5,223,675 A \* 6/1993 Taft ..... H02G 3/26  
174/159

6,530,803 B1 \* 3/2003 Chen ..... H01R 13/5837  
174/159

D479,269 S \* 9/2003 Vrotsos ..... D19/59

D483,654 S \* 12/2003 Taylor ..... D8/356

D525,359 S \* 7/2006 Stephens ..... D24/128

7,118,318 B2 \* 10/2006 Ryals ..... F16B 15/0015  
411/475

(57) **CLAIM**

The ornamental design for a cable clip, as shown and described.

**DESCRIPTION**

FIG. 1 is an isometric view of a cable clip showing my new design;

FIG. 2 is a front elevational view thereof;

FIG. 3 is a rear elevational view thereof;

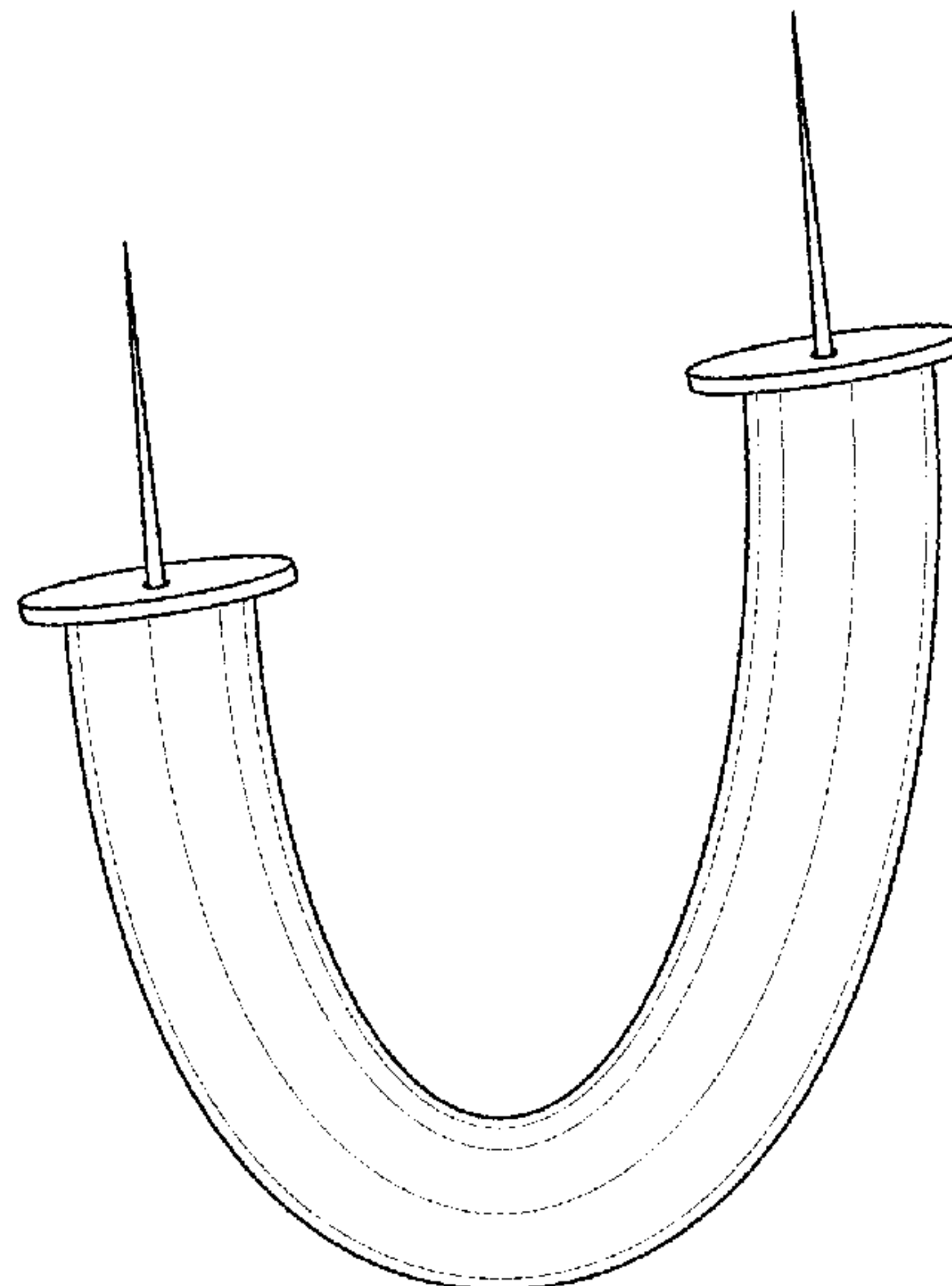
FIG. 4 is a left side elevational view thereof;

FIG. 5 is a right elevational view thereof;

FIG. 6 is a top plan view thereof; and,

FIG. 7 is a bottom plan view thereof showing my design.

**1 Claim, 4 Drawing Sheets**



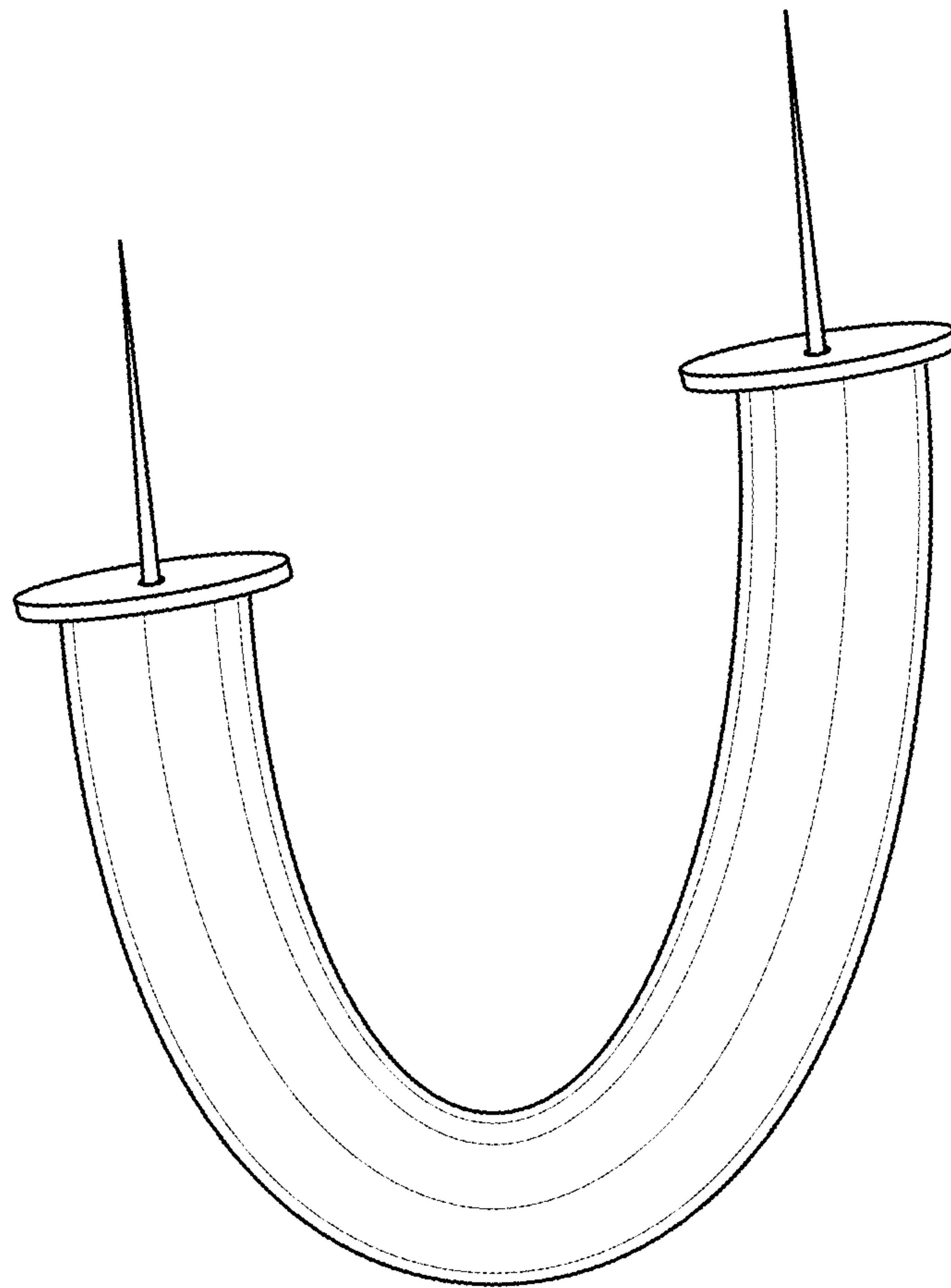


FIG. 1

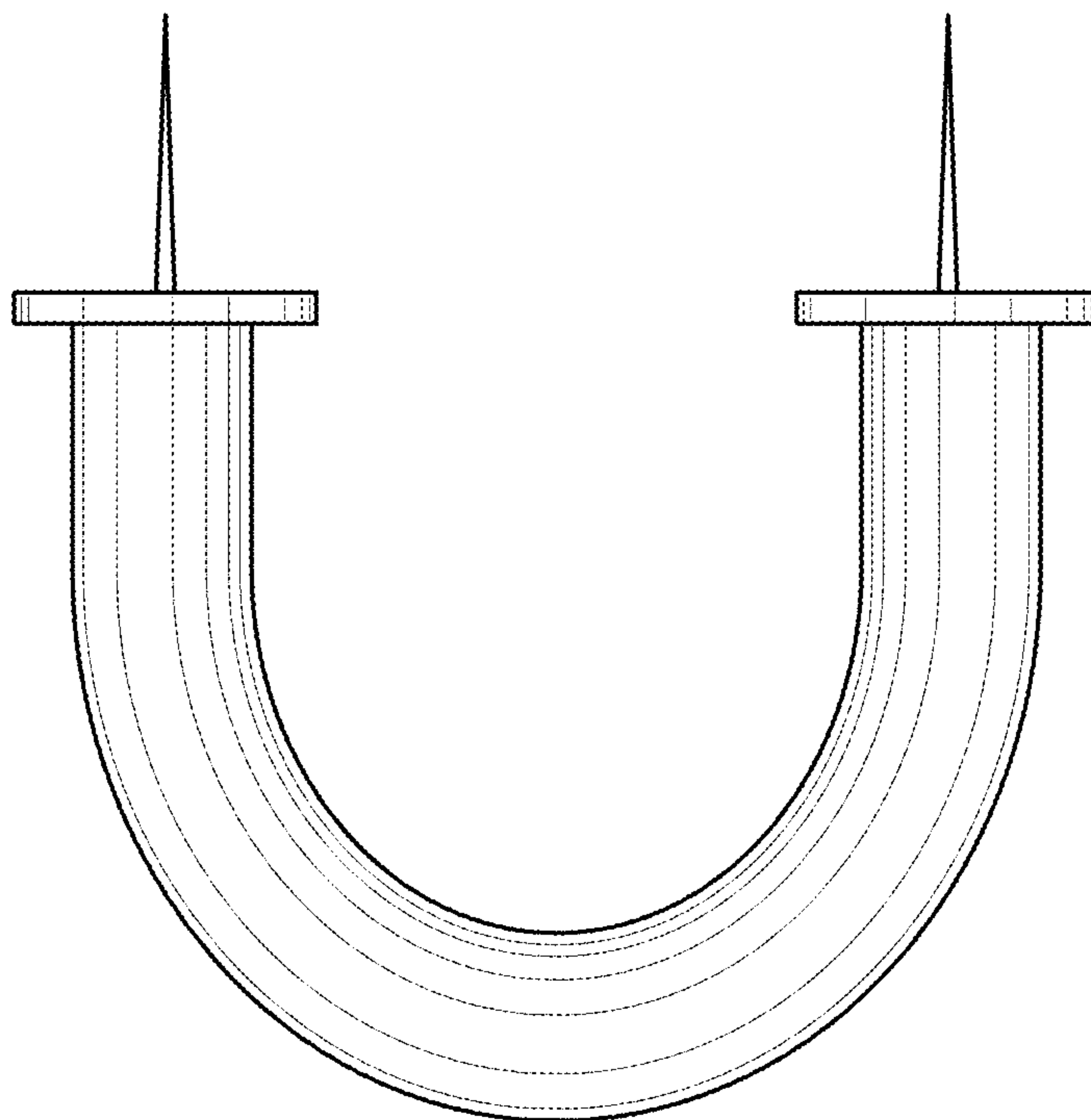


FIG. 2

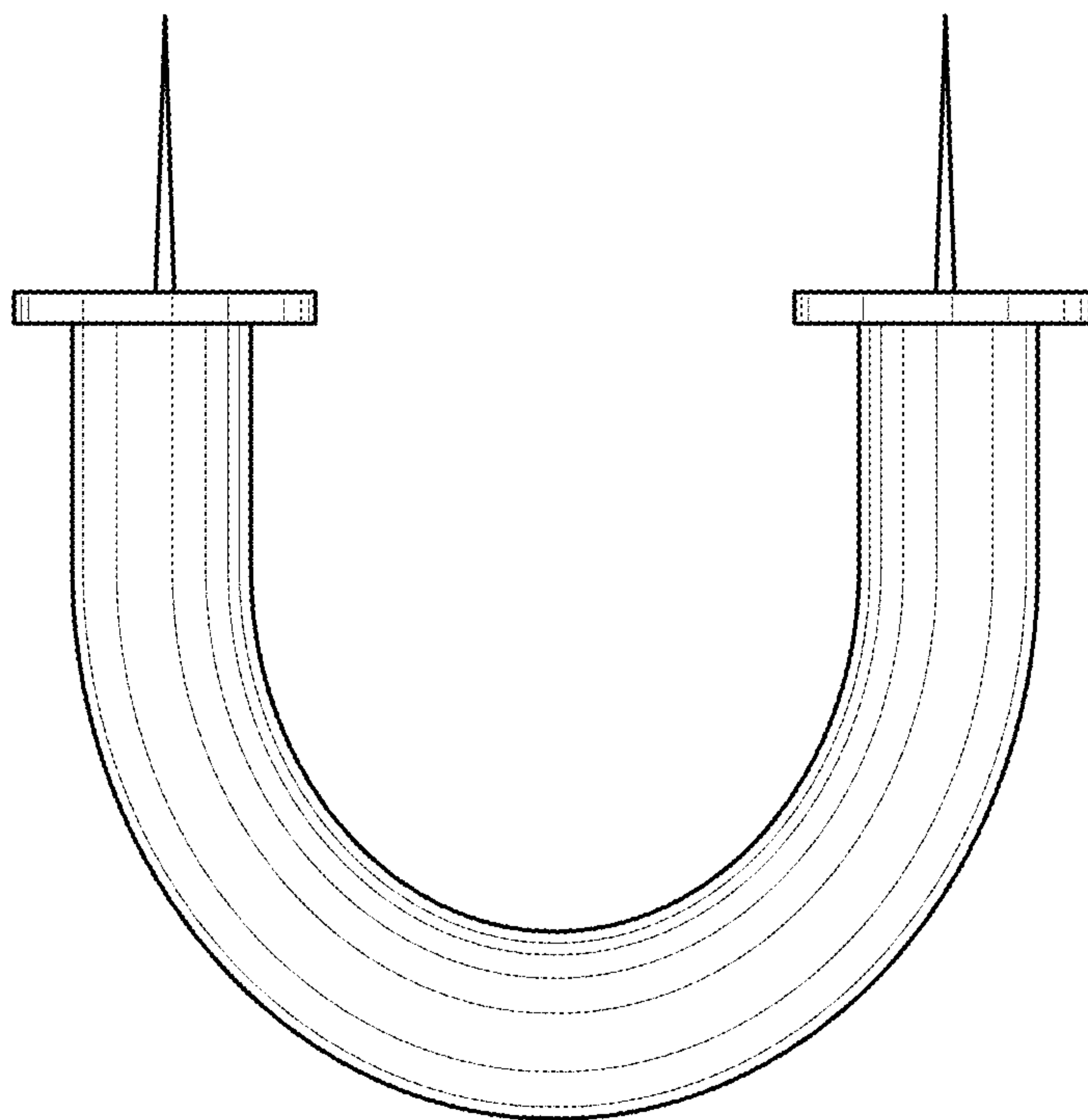
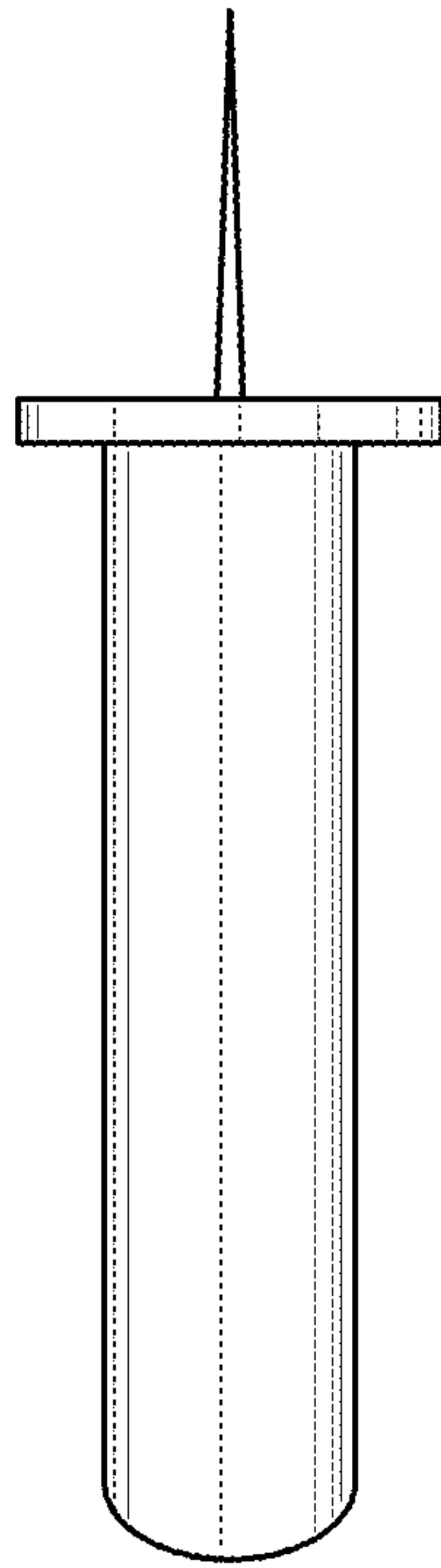
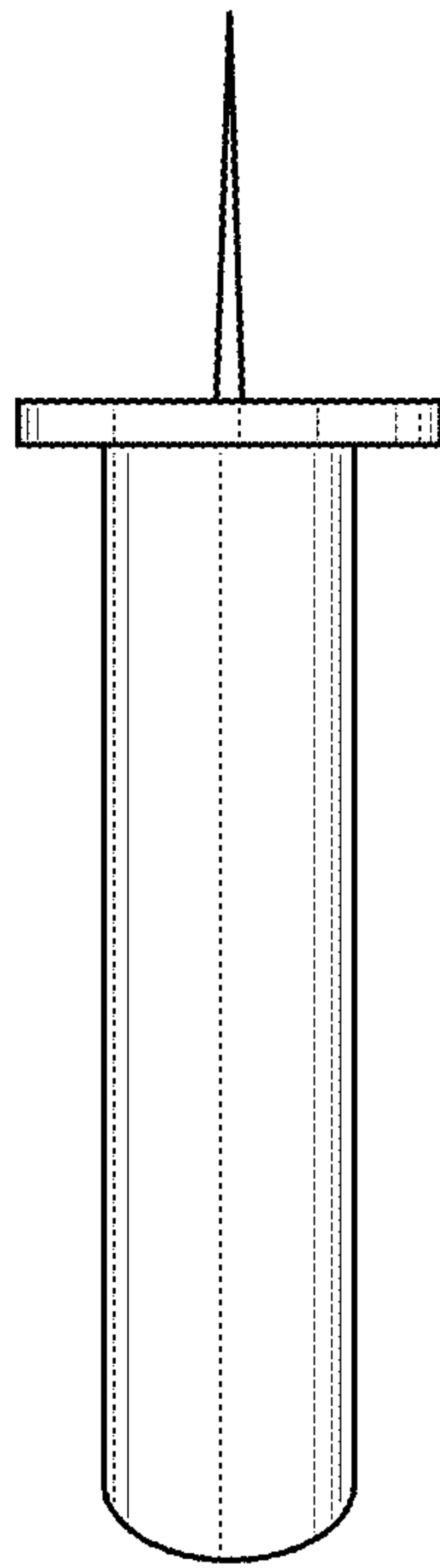


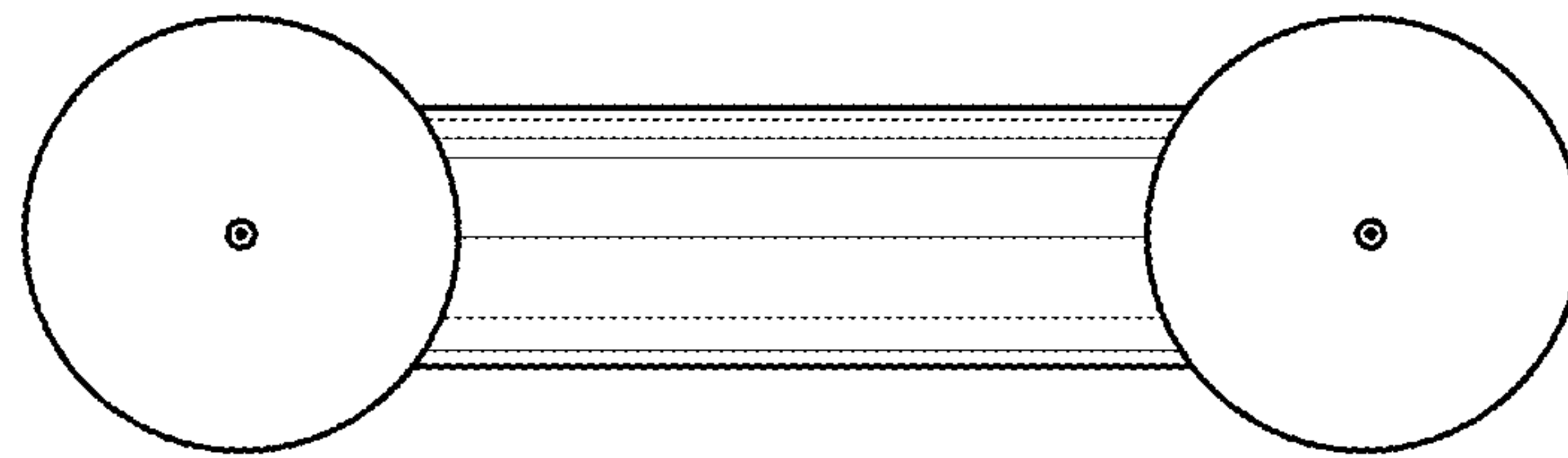
FIG. 3



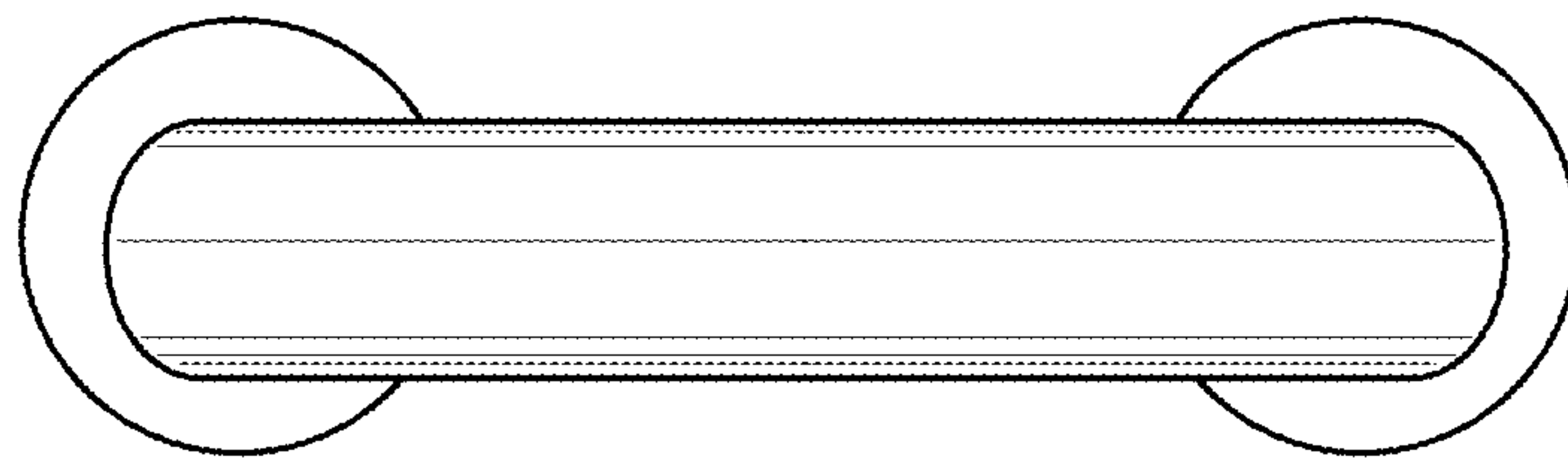
**FIG. 4**



**FIG. 5**



**FIG. 6**



**FIG. 7**