



US00D933456S

(12) **United States Design Patent**
Chan

(10) **Patent No.:** **US D933,456 S**

(45) **Date of Patent:** **** Oct. 19, 2021**

- (54) **SEWABLE USB CABLE CLIP**
- (71) Applicant: **Duraflex Hong Kong Limited**, Hong Kong (HK)
- (72) Inventor: **Man Chak Chan**, Hong Kong (HK)
- (73) Assignee: **Duraflex Hong Kong Limited**, Hong Kong (HK)

D737,797	S	*	9/2015	Roggenkamp	D14/205
D769,700	S	*	10/2016	Chinchon	D8/356
10,130,148	B1	*	11/2018	Au	A44B 17/007
D842,081	S	*	3/2019	Thompson	D8/367
D892,491	S	*	8/2020	Feng	D3/201
D902,445	S	*	11/2020	Lee	D25/138
D905,540	S	*	12/2020	Lekkas	D8/356
D912,391	S	*	3/2021	Li	D3/201
D921,886	S	*	6/2021	Froum	D24/128
D928,032	S	*	8/2021	Okumu	A41D 23/00
						D11/202
2003/0063890	A1	*	4/2003	Wu	G02B 6/4471
						385/137

(**) Term: **15 Years**

(21) Appl. No.: **29/715,212**

(22) Filed: **Nov. 28, 2019**

(30) **Foreign Application Priority Data**

Jun. 10, 2019 (CN) 201930295304.9

(51) **LOC (13) Cl.** **09-06**

(52) **U.S. Cl.**
USPC **D8/356**

(58) **Field of Classification Search**
USPC D8/356, 354, 349, 367, 394, 395, 396;
248/74.1, 74.2, 74.3, 74.4; 174/650
CPC . B65D 63/16; F16B 2/08; A44B 11/04; A44B
6/00; F16G 11/14; B60R 22/24; H02G
3/22; E04F 15/02405
See application file for complete search history.

(56) **References Cited**

U.S. PATENT DOCUMENTS

D409,079	S	*	5/1999	Sobczynski	D8/354
6,932,309	B1	*	8/2005	Corey	B60R 11/0241
						224/483

* cited by examiner

Primary Examiner — Cynthia R Underwood

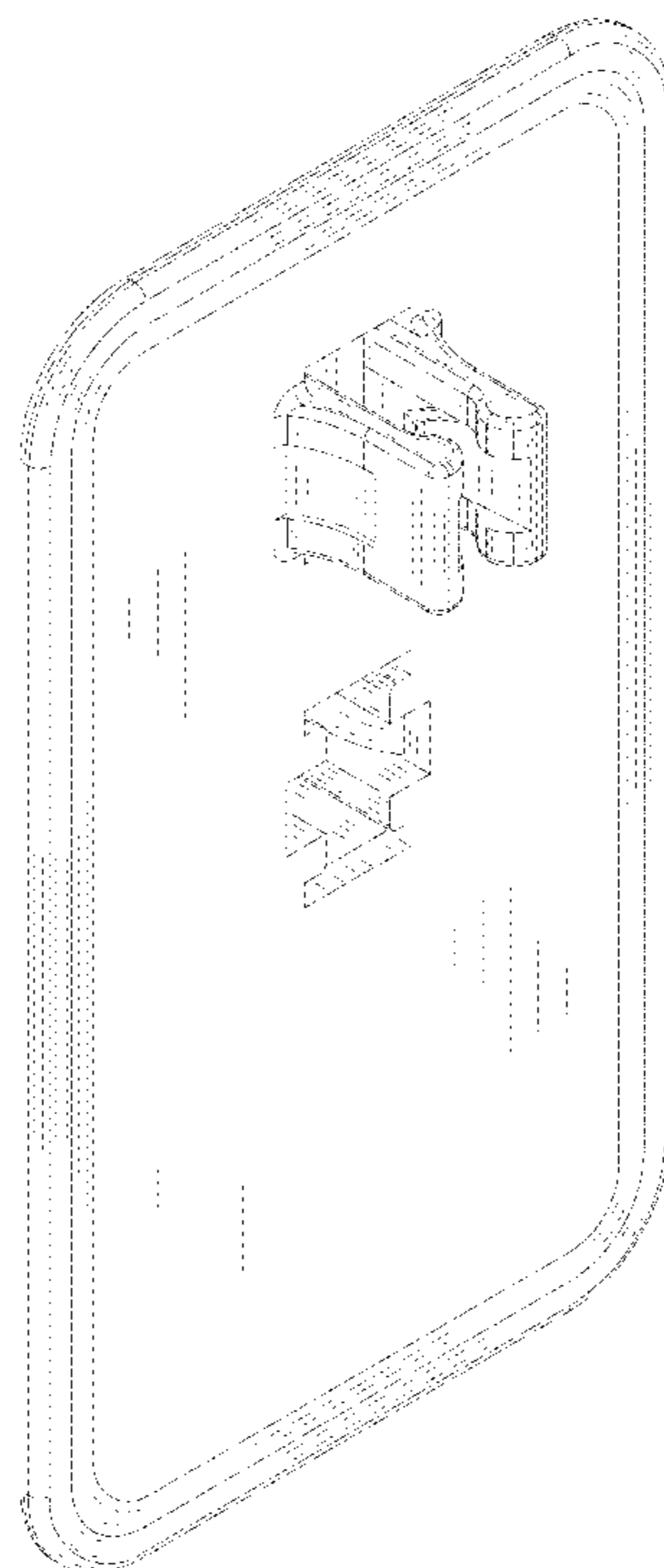
(57) **CLAIM**

The ornamental design for a sewable USB cable clip, as shown and described.

DESCRIPTION

FIG. 1 is a front elevational view of a sewable USB cable clip showing my new design;
FIG. 2 is a rear elevational view thereof;
FIG. 3 is a right side view thereof;
FIG. 4 is a left side view thereof;
FIG. 5 is a top plan view thereof;
FIG. 6 is a bottom plan view thereof;
FIG. 7 is a top, front and left side perspective view thereof;
FIG. 8 is a top, front and right side perspective view thereof;
FIG. 9 is a bottom, rear and right side perspective view thereof; and,
FIG. 10 is a bottom, rear and left side perspective view thereof.

1 Claim, 9 Drawing Sheets



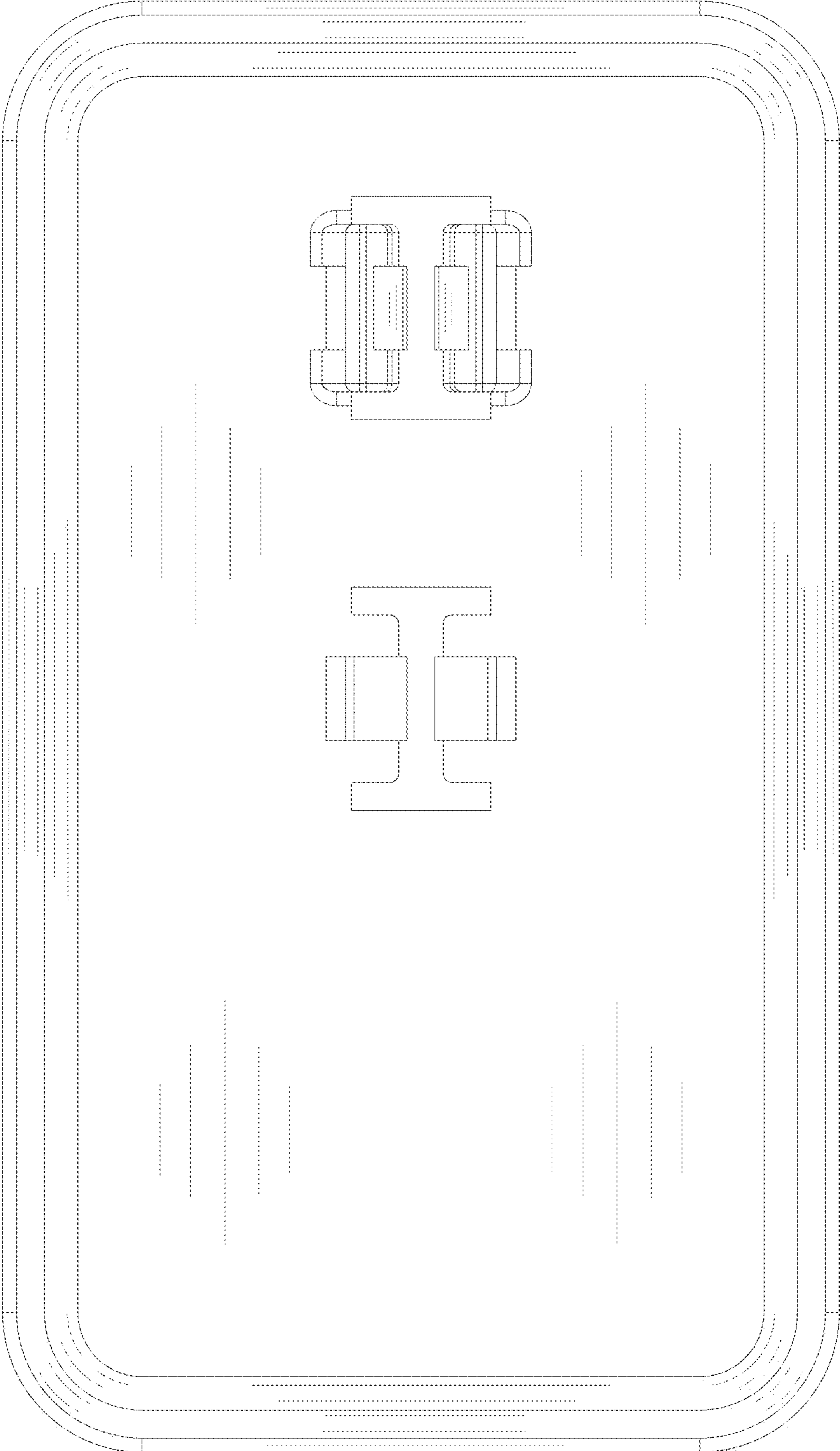


Fig. 1

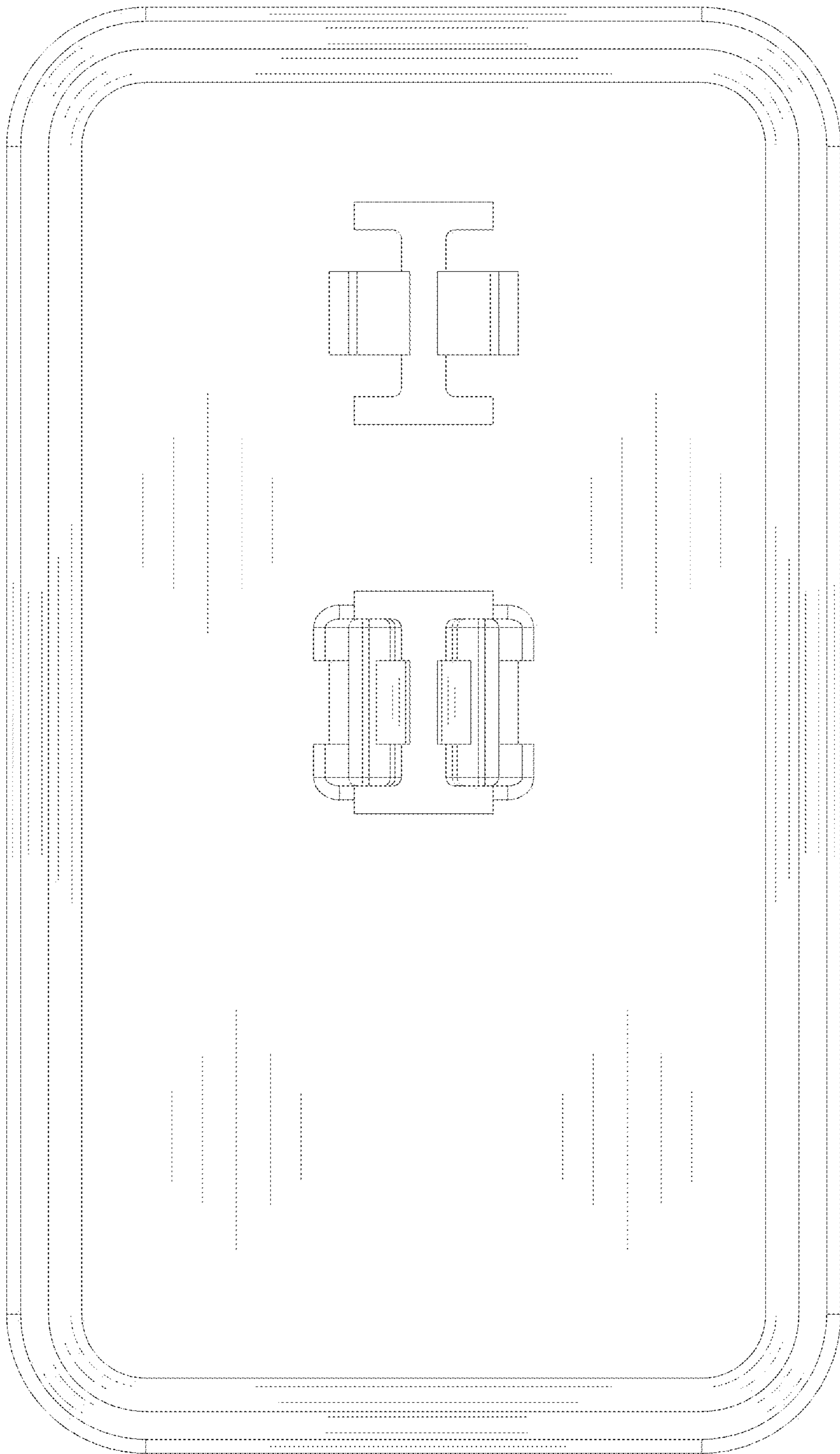


Fig. 2

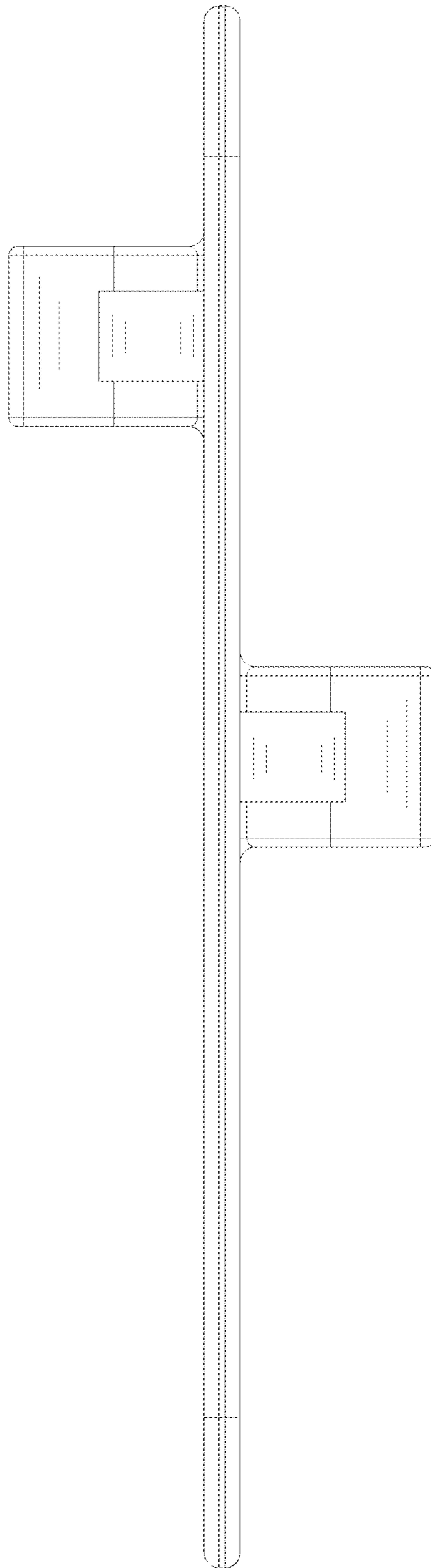


Fig. 3

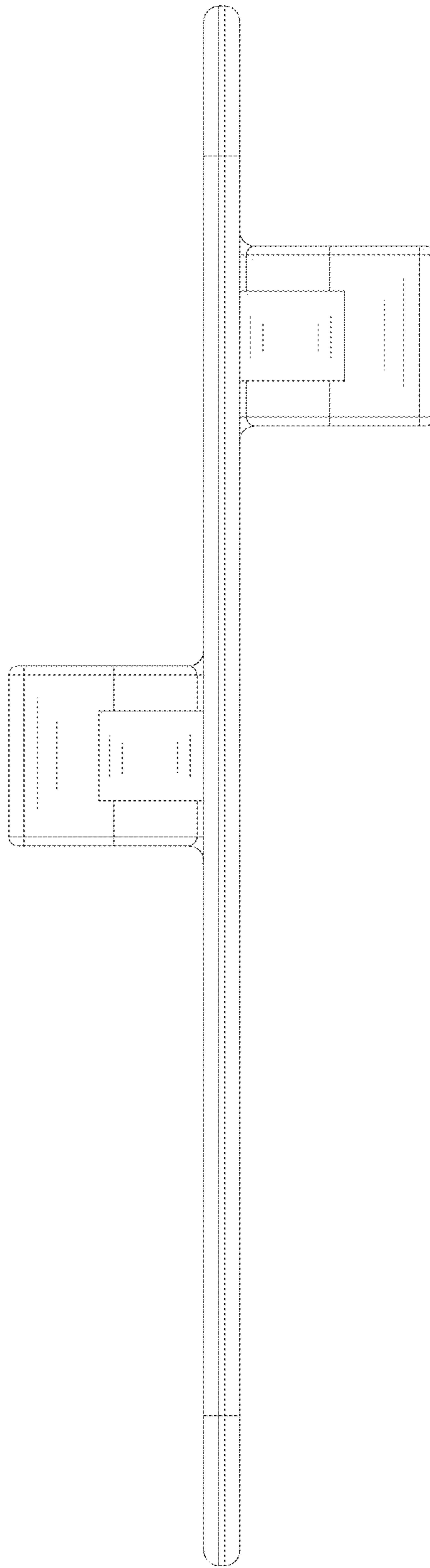


Fig. 4

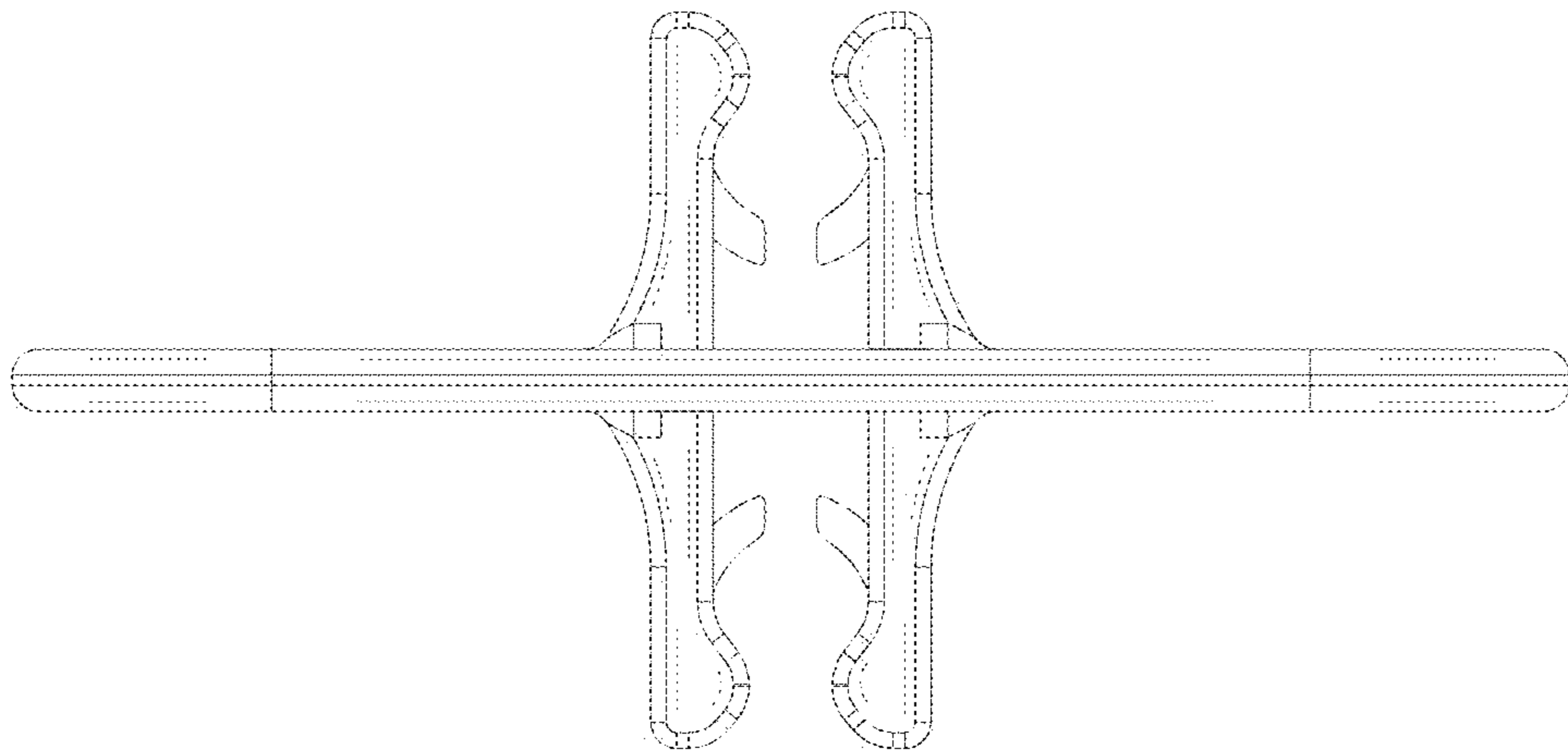


Fig. 5

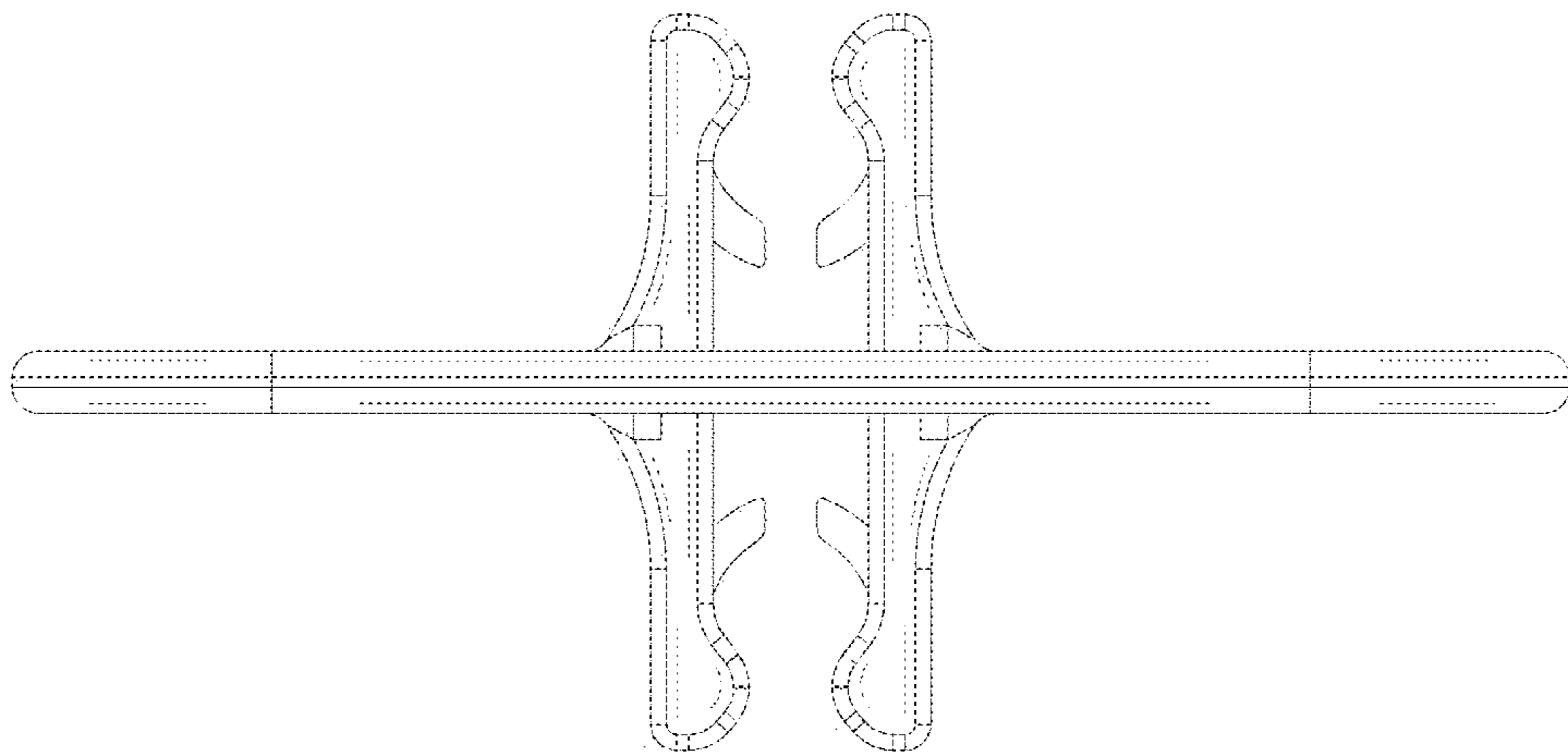


Fig. 6

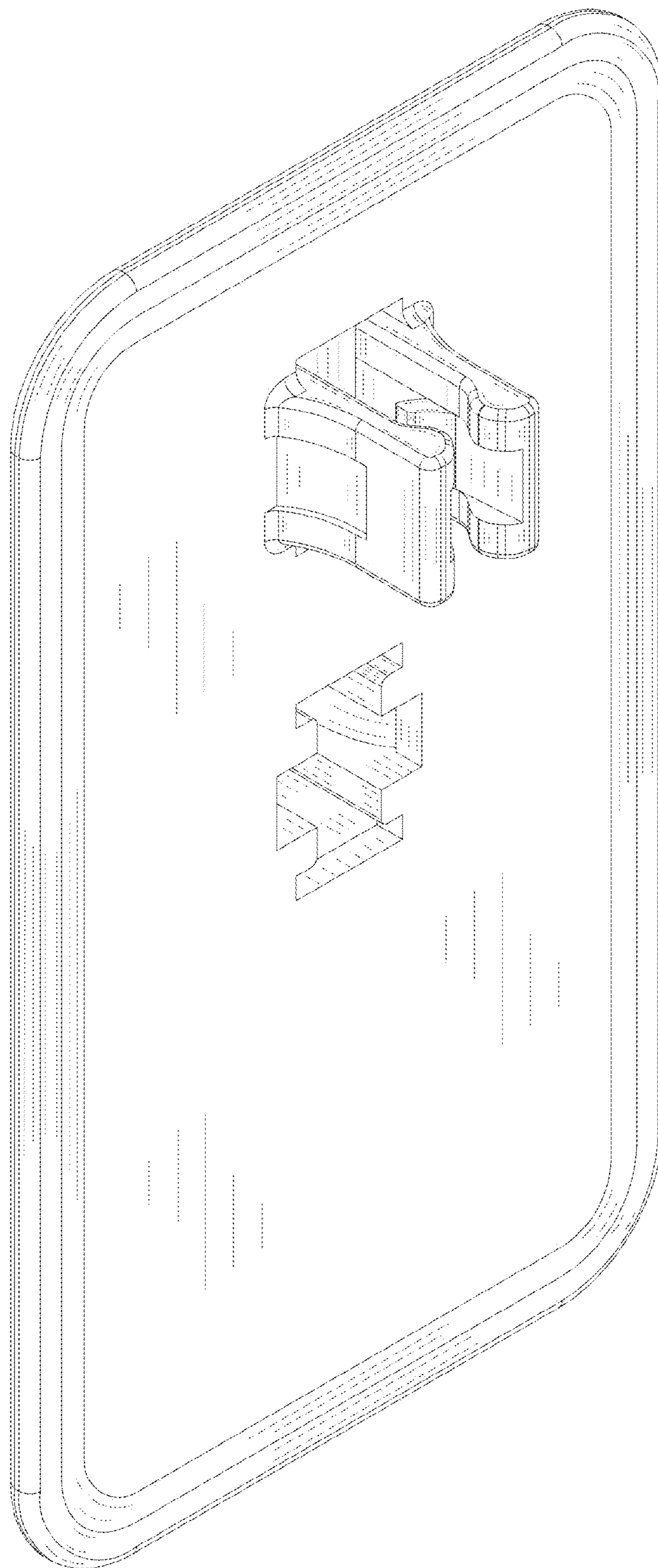


Fig. 7

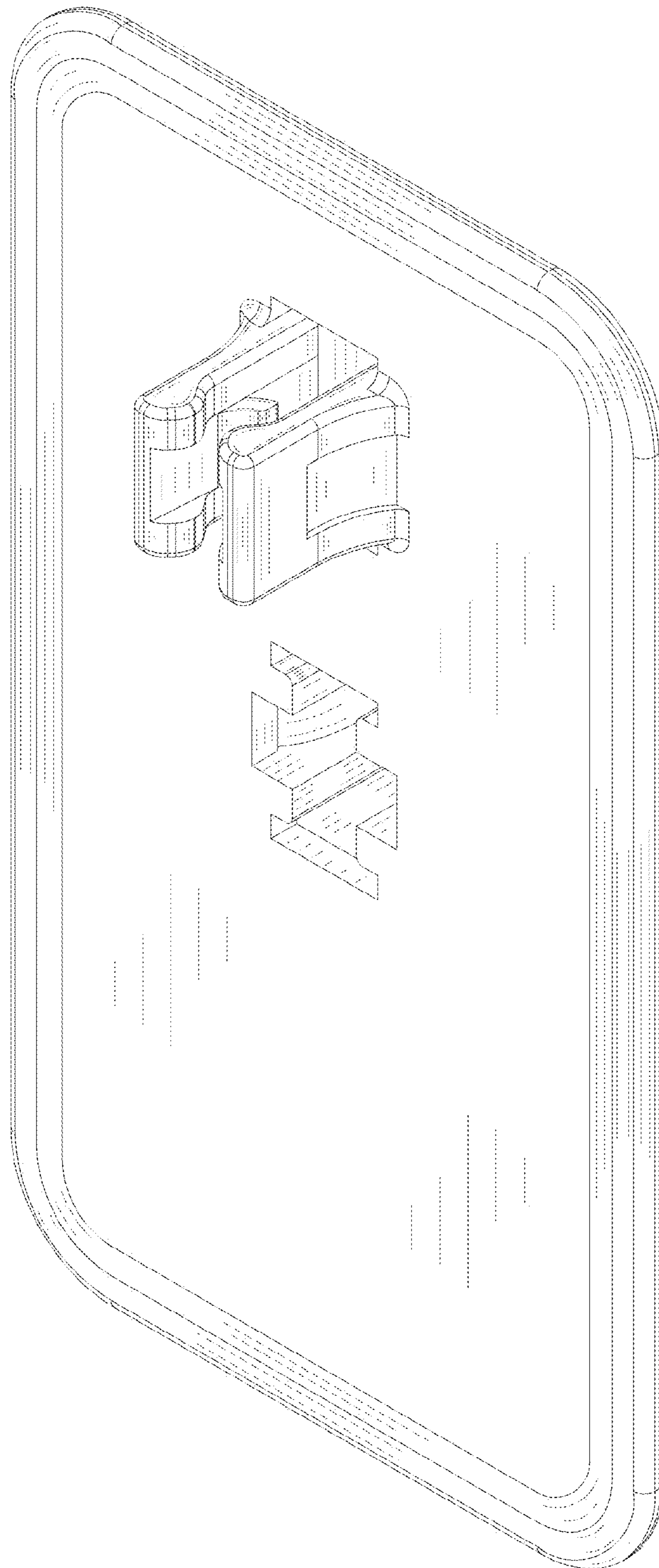


Fig. 8

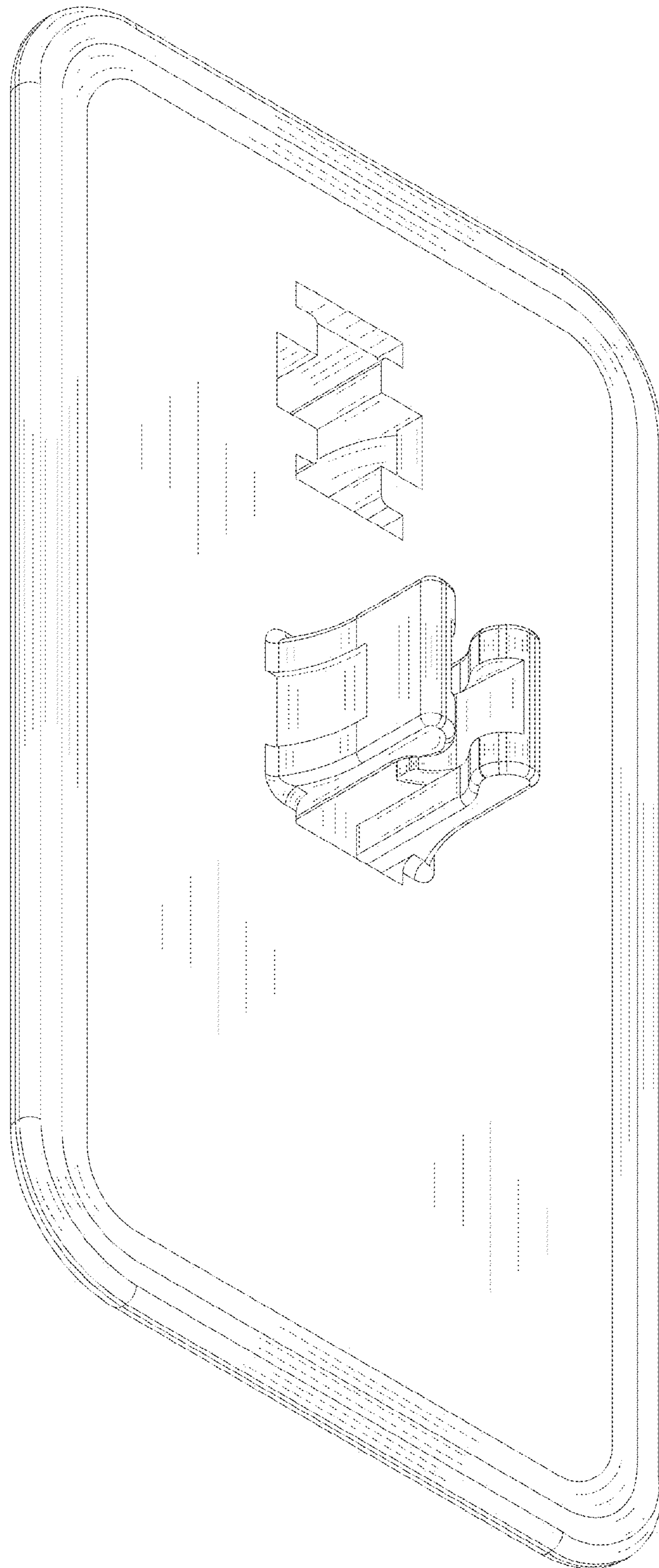


Fig.9

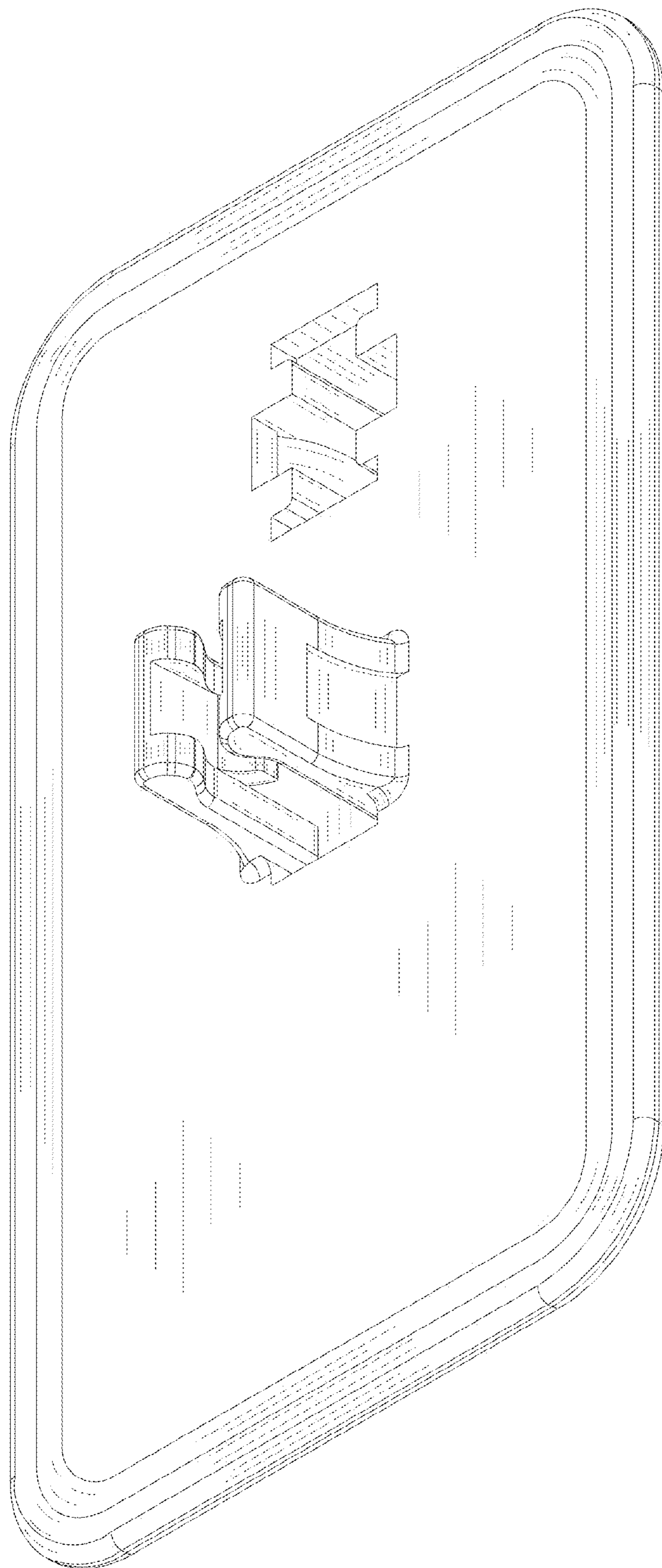


Fig. 10