



US00D933455S

(12) **United States Design Patent** (10) **Patent No.:** **US D933,455 S**  
**Palmer** (45) **Date of Patent:** **\*\* Oct. 19, 2021**

(54) **PIPE MOUNT**  
(71) Applicant: **Quattro Project Engineering Pty Ltd,**  
Perth Airport (AU)  
(72) Inventor: **Jeremy Palmer,** Aveley (AU)  
(\*\*) Term: **15 Years**  
(21) Appl. No.: **29/688,920**  
(22) Filed: **Apr. 25, 2019**  
(30) **Foreign Application Priority Data**  
Oct. 25, 2018 (AU) ..... 201816414  
(51) **LOC (13) Cl.** ..... **09-06**  
(52) **U.S. Cl.**  
USPC ..... **D8/356**  
(58) **Field of Classification Search**  
USPC ..... D6/678.4; D8/356, 354, 349, 358, 373,  
D8/379, 396, 366; 248/68.1, 89;  
137/355.16; 242/400.1; 211/60.1;  
D24/128; D12/223  
CPC ..... B65G 7/12; A62C 33/04; B65H 75/366  
See application file for complete search history.

7,678,083 B2 \* 3/2010 Stephens ..... A61M 25/00  
604/174  
D647,784 S \* 11/2011 McNamara ..... D8/349  
D742,213 S \* 11/2015 Sasanecki ..... D8/396  
D763,665 S \* 8/2016 Hallare ..... D8/356  
D784,790 S \* 4/2017 Marsh ..... D8/349  
D789,526 S \* 6/2017 Serafini ..... D24/128  
D798,131 S \* 9/2017 Agneessens ..... D8/373  
D811,857 S \* 3/2018 Williams ..... D8/356  
D816,010 S \* 4/2018 Rike ..... D12/223  
D826,033 S \* 8/2018 Feng ..... D8/356  
D830,157 S \* 10/2018 Kreinbrink ..... D8/373  
D836,184 S \* 12/2018 Lippka ..... D23/262  
10,215,313 B2 \* 2/2019 a ko ..... F16L 57/02  
10,264,896 B2 \* 4/2019 Petner ..... A47F 7/06  
D849,662 S \* 5/2019 Rike ..... D12/223  
D868,665 S \* 12/2019 Rike ..... D12/223  
D873,115 S \* 1/2020 Evans ..... D8/354

(Continued)

*Primary Examiner* — Cynthia R Underwood  
(74) *Attorney, Agent, or Firm* — Medler Ferro  
Woodhouse & Mills PLLC

(57) **CLAIM**

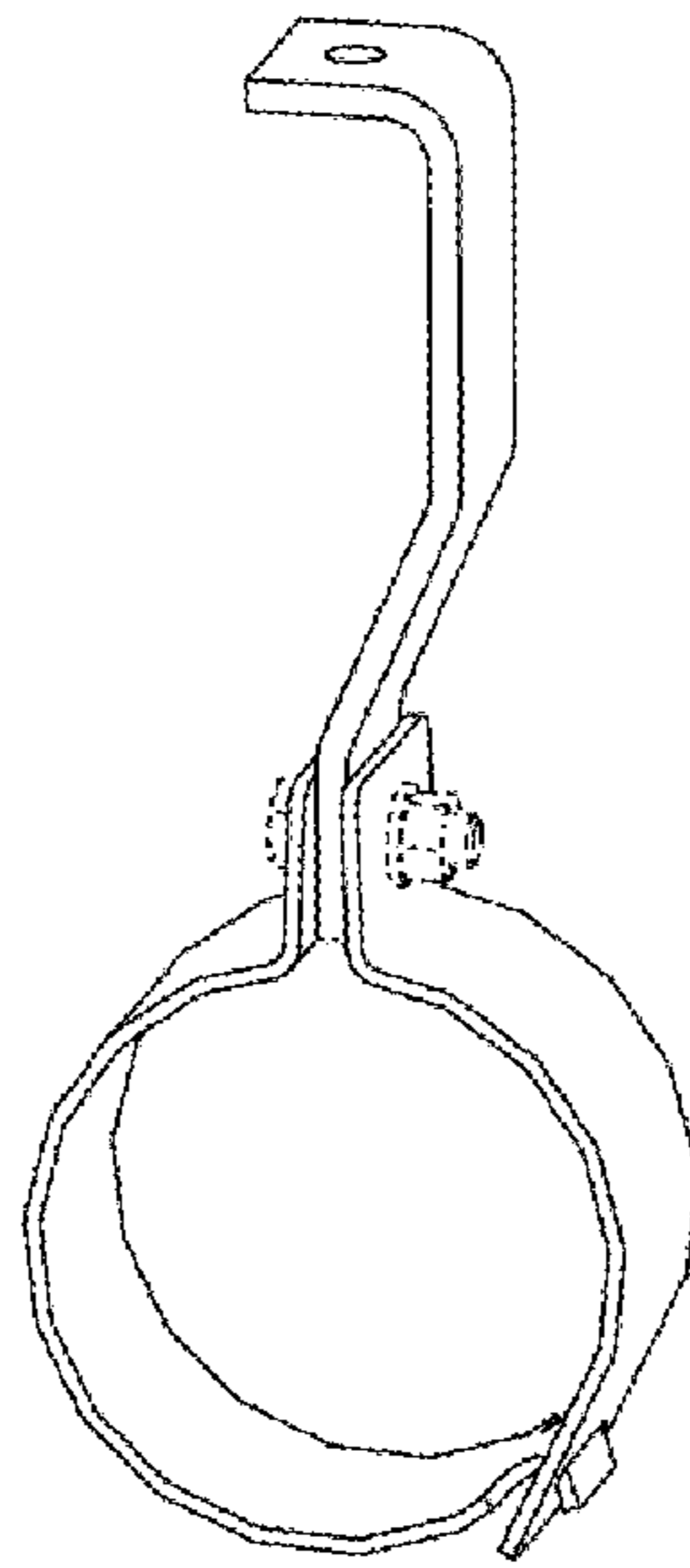
The ornamental design for a pipe mount, as shown and described.

**DESCRIPTION**

FIG. 1 is a perspective view of a pipe mount showing my new design.  
FIG. 2 is a front view of the pipe mount of FIG. 1.  
FIG. 3 is a top plan view of the pipe mount of FIG. 1.  
FIG. 4 is a bottom view of the pipe mount of FIG. 1.  
FIG. 5 is a left side view of the pipe mount of FIG. 1.  
FIG. 6 is a right side of the pipe mount of FIG. 1; and,  
FIG. 7 is a front perspective view of pipe mount of FIG. 1 shown in an environment.  
The broken lines are environment only and form no part of the claimed design.

**1 Claim, 4 Drawing Sheets**

(56) **References Cited**  
U.S. PATENT DOCUMENTS  
D233,733 S \* 11/1974 Byerly ..... D8/366  
3,942,528 A \* 3/1976 Loeser ..... A61M 25/02  
604/174  
D268,735 S \* 4/1983 Kanao ..... D8/396  
D394,999 S \* 6/1998 Phillip ..... D8/380  
6,059,215 A \* 5/2000 Finnis ..... B65H 75/366  
242/400.1  
6,206,613 B1 \* 3/2001 Elkins ..... F16L 3/26  
405/157  
D509,147 S \* 9/2005 Selby ..... D9/715  
D525,359 S \* 7/2006 Stephens ..... D24/128  
7,571,744 B2 \* 8/2009 Zia ..... A61M 5/1418  
138/103



(56)

**References Cited**

U.S. PATENT DOCUMENTS

D880,279 S \* 4/2020 Marchesan ..... D8/354  
D883,073 S \* 5/2020 Jaramillo ..... D8/354  
D885,174 S \* 5/2020 Magagna ..... D8/396  
D885,949 S \* 6/2020 Machijima ..... D10/103  
D886,655 S \* 6/2020 Machijima ..... D10/103  
D887,297 S \* 6/2020 Machijima ..... D10/103  
D887,298 S \* 6/2020 Machijima ..... D10/103  
D887,882 S \* 6/2020 Machijima ..... D10/103  
D889,641 S \* 7/2020 Wennborg ..... D24/128  
10,774,951 B2 \* 9/2020 Ball ..... F16B 7/185  
D900,592 S \* 11/2020 West ..... D8/349  
D903,474 S \* 12/2020 Peng ..... D8/356  
D905,541 S \* 12/2020 Somsack ..... D8/356  
2002/0121571 A1 \* 9/2002 Ferris ..... H02G 3/0406  
242/615  
2016/0082910 A1 \* 3/2016 Sloan ..... B60R 19/023  
293/128  
2017/0334288 A1 \* 11/2017 Rike ..... B60K 15/03006

\* cited by examiner

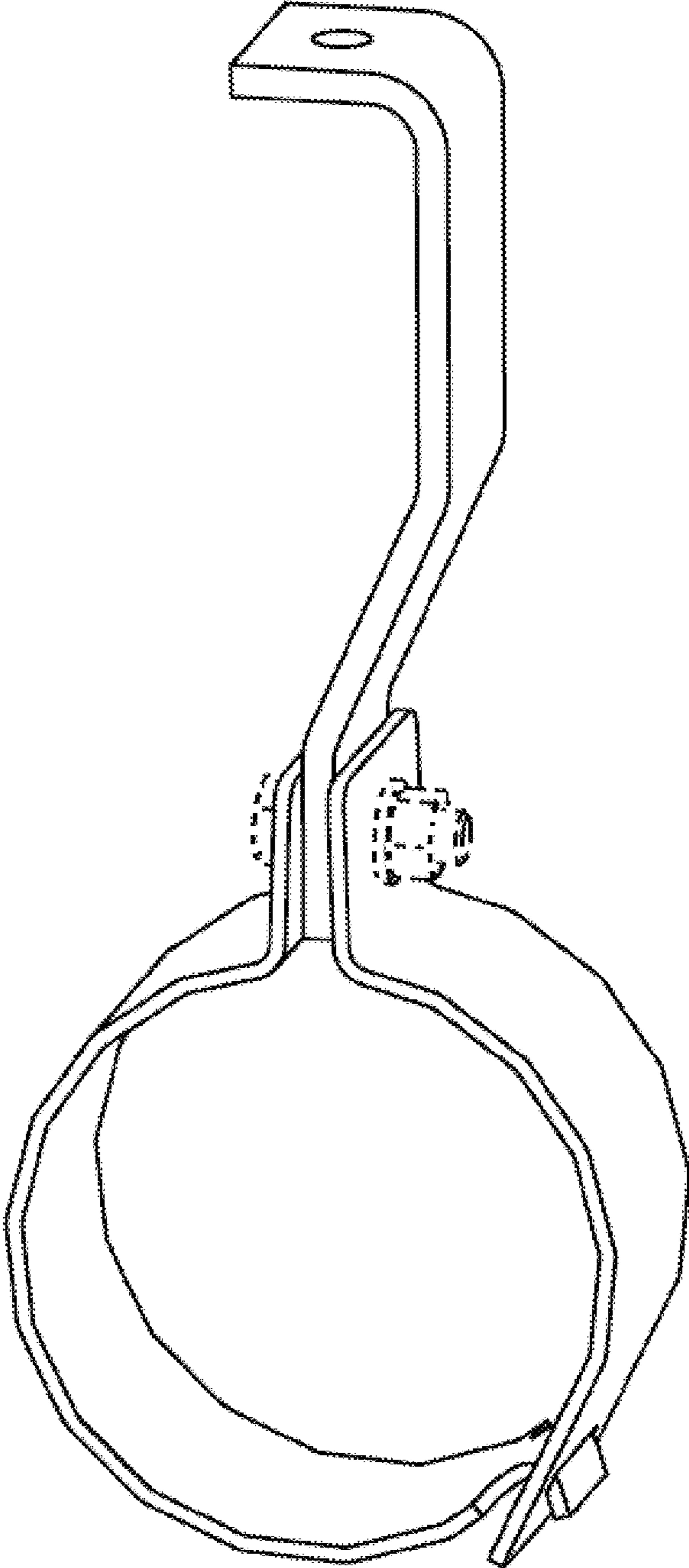


FIG. 1

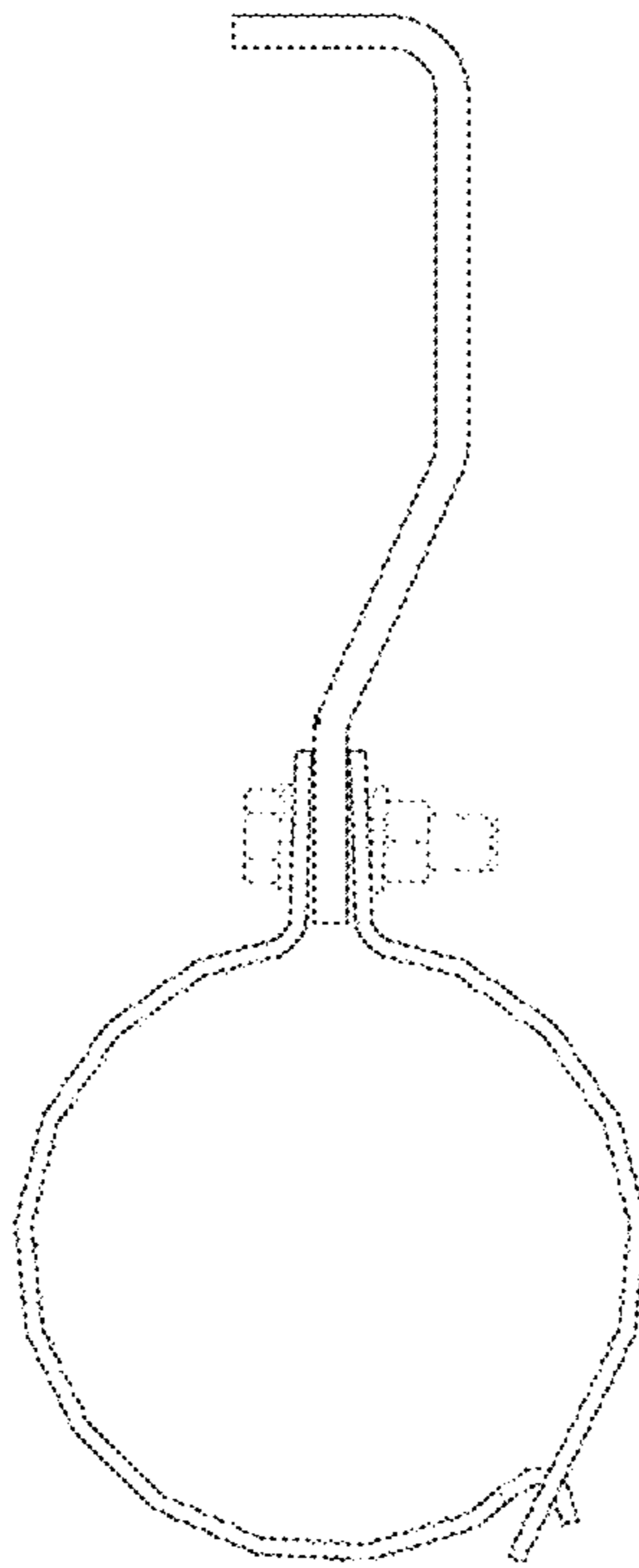


FIG. 2

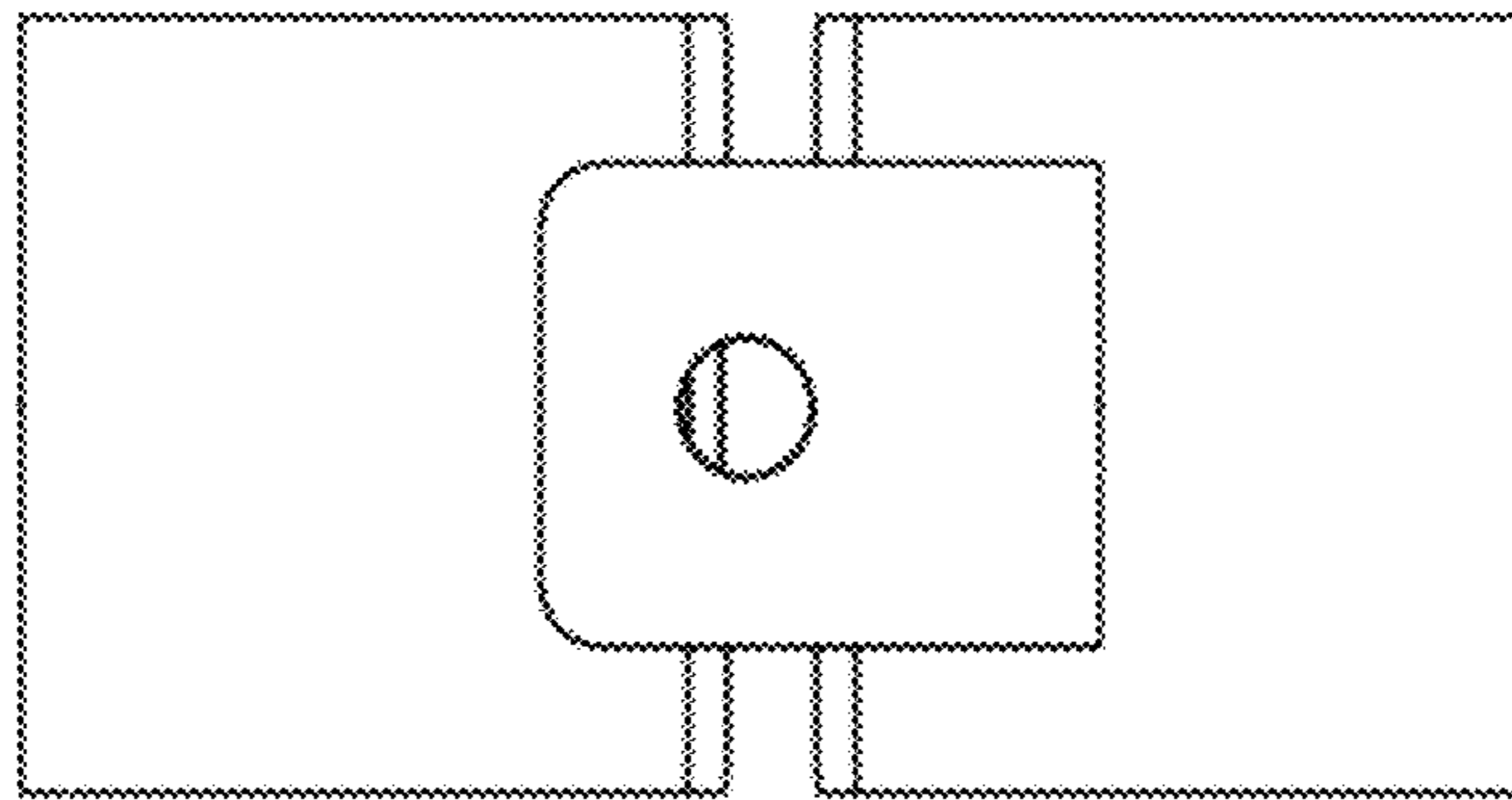


FIG. 3



FIG. 4

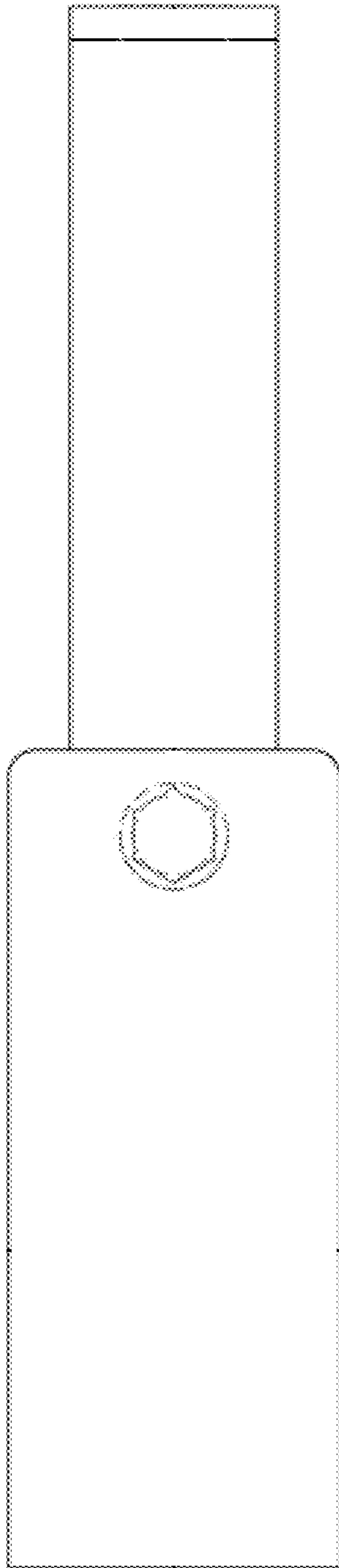


FIG. 5

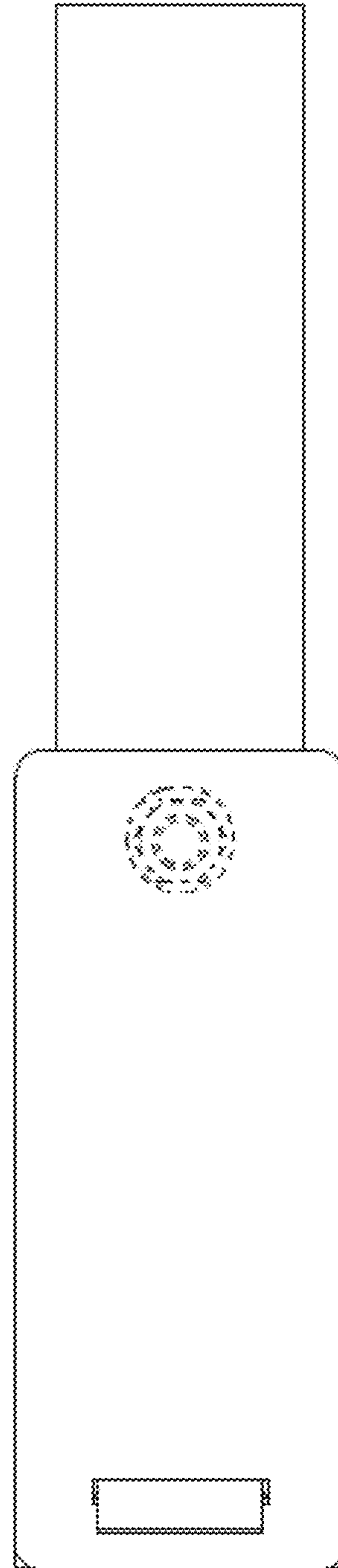


FIG. 6

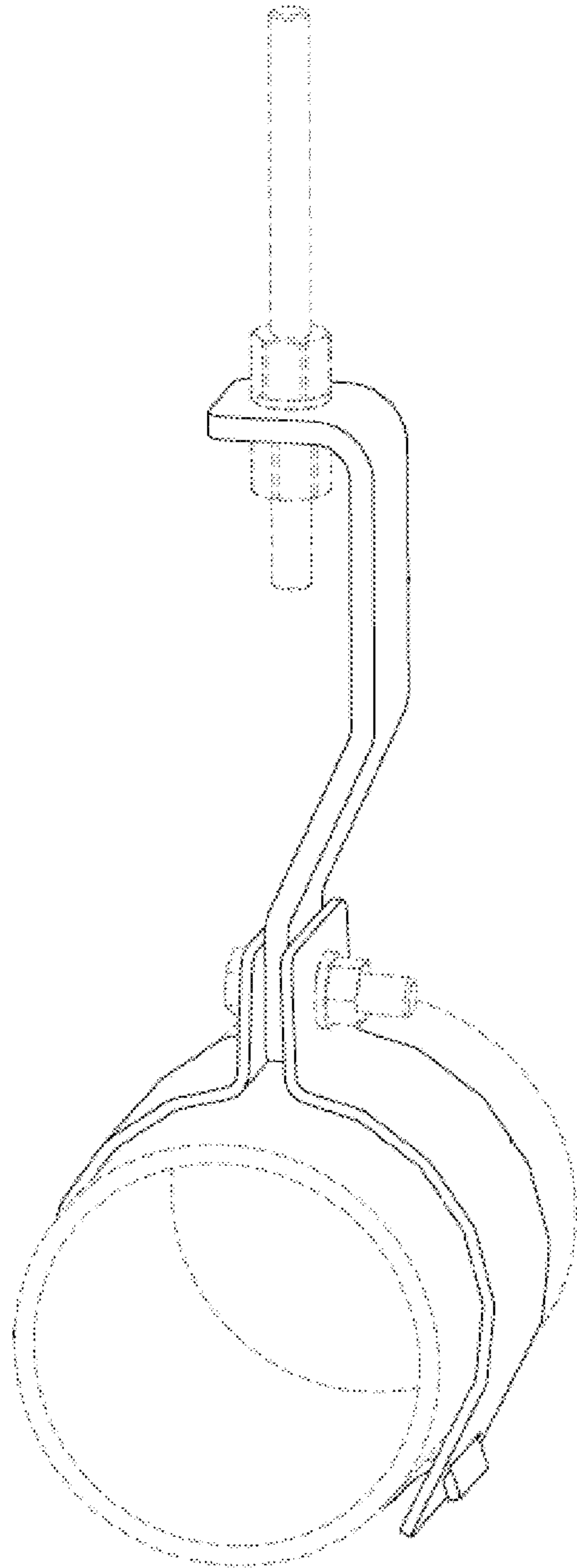


FIG. 7