



US00D933454S

(12) **United States Design Patent**  
**Xiang et al.**

(10) **Patent No.:** **US D933,454 S**

(45) **Date of Patent:** **\*\* Oct. 19, 2021**

(54) **HANDLE WITH FINGERPRINT IDENTIFYING DEVICE**

(71) Applicant: **Dezhao Xiang**, Shenzhen (CN)

(72) Inventors: **Dezhao Xiang**, Shenzhen (CN); **Qiuzhi Yang**, Shenzhen (CN)

(73) Assignee: **Dezhao Xiang**, Shenzhen (CN)

(\*\*) Term: **15 Years**

(21) Appl. No.: **29/707,594**

(22) Filed: **Sep. 30, 2019**

(51) **LOC (13) Cl.** ..... **08-07**

(52) **U.S. Cl.**  
USPC ..... **D8/343**

(58) **Field of Classification Search**  
USPC ..... D8/321, 343; D14/384  
CPC ..... G06K 9/00006; G06K 9/00013; G06K 9/00033; G06K 9/0004; G06K 9/00046; G06K 9/00087; G06K 9/00093; G06K 9/001; G06K 9/00107; G06K 9/00114; G06K 9/0012; G06K 2009/0006  
See application file for complete search history.

(56) **References Cited**

**U.S. PATENT DOCUMENTS**

D390,446 S *	2/1998	Gartner	.....	D8/343
D452,807 S *	1/2002	Gartner	.....	D8/330
D462,005 S *	8/2002	Nakamaru	.....	D8/343
D519,356 S *	4/2006	Osiecki	.....	D8/331
11,070,550 B2 *	7/2021	Rahmel	.....	A61B 5/681

11,080,501 B2 *	8/2021	Kim	.....	G06K 9/0002
11,080,503 B2 *	8/2021	Hu	.....	G06K 9/0002
11,086,975 B2 *	8/2021	Huang	.....	G06K 9/6255
11,092,998 B1 *	8/2021	Castaneda	.....	G06F 1/3293

\* cited by examiner

*Primary Examiner* — Doris Clark

(57) **CLAIM**

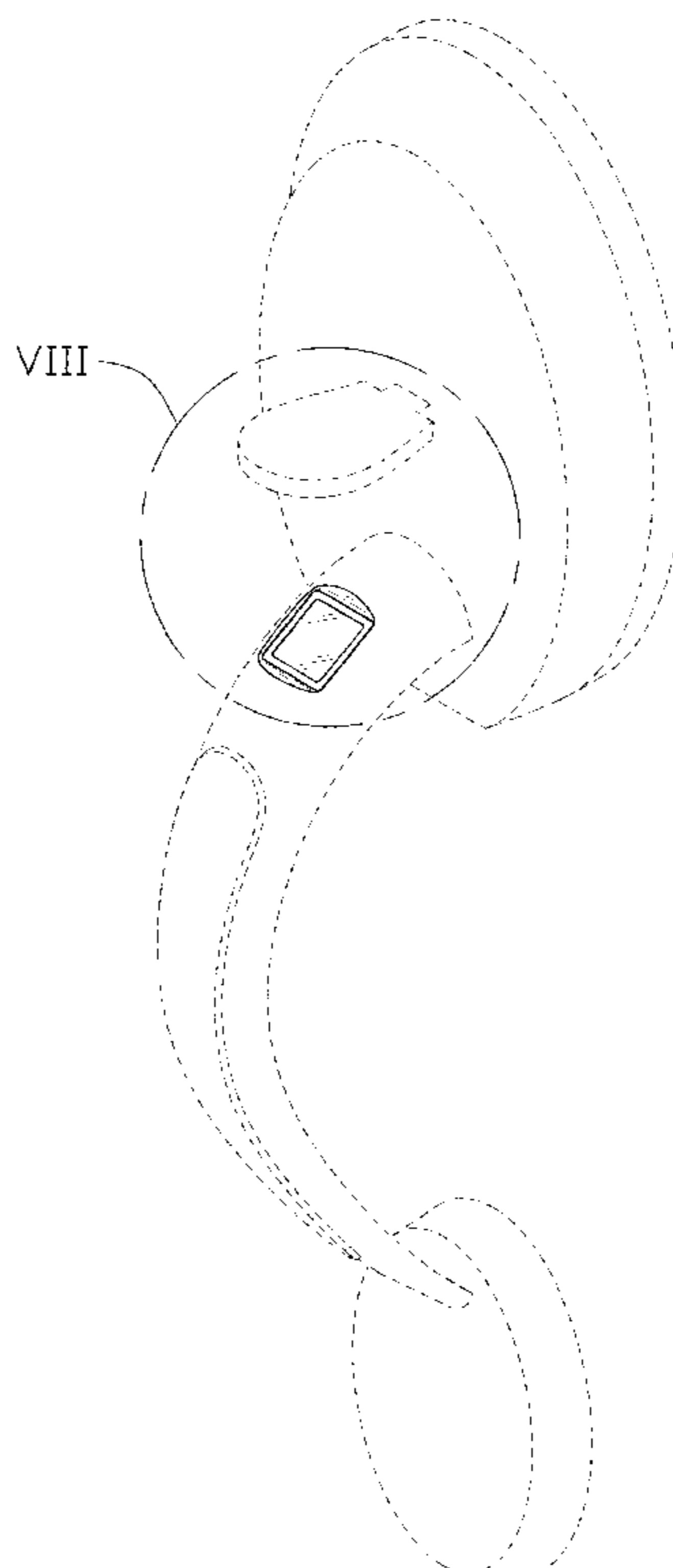
The ornamental design for a handle with fingerprint identifying device, as shown and described.

**DESCRIPTION**

FIG. 1 is a top, front and right side perspective view of a handle with fingerprint identifying device showing our new design;  
FIG. 2 is a front elevational view thereof;  
FIG. 3 is a rear elevational view thereof;  
FIG. 4 is a left side view thereof;  
FIG. 5 is a right side view thereof;  
FIG. 6 is a top plan view thereof;  
FIG. 7 is a bottom plan view thereof; and,  
FIG. 8 is an enlarged view of the encircled portion VIII in FIG. 1.

The broken lines in the drawings illustrate portions of the handle with fingerprint identifying device which form no part of the claimed design. The dot dash dot broken lines surrounding the detail areas in FIGS. 1 and 8 denote the boundaries of the detail areas and form no part of the claim design.

**1 Claim, 8 Drawing Sheets**



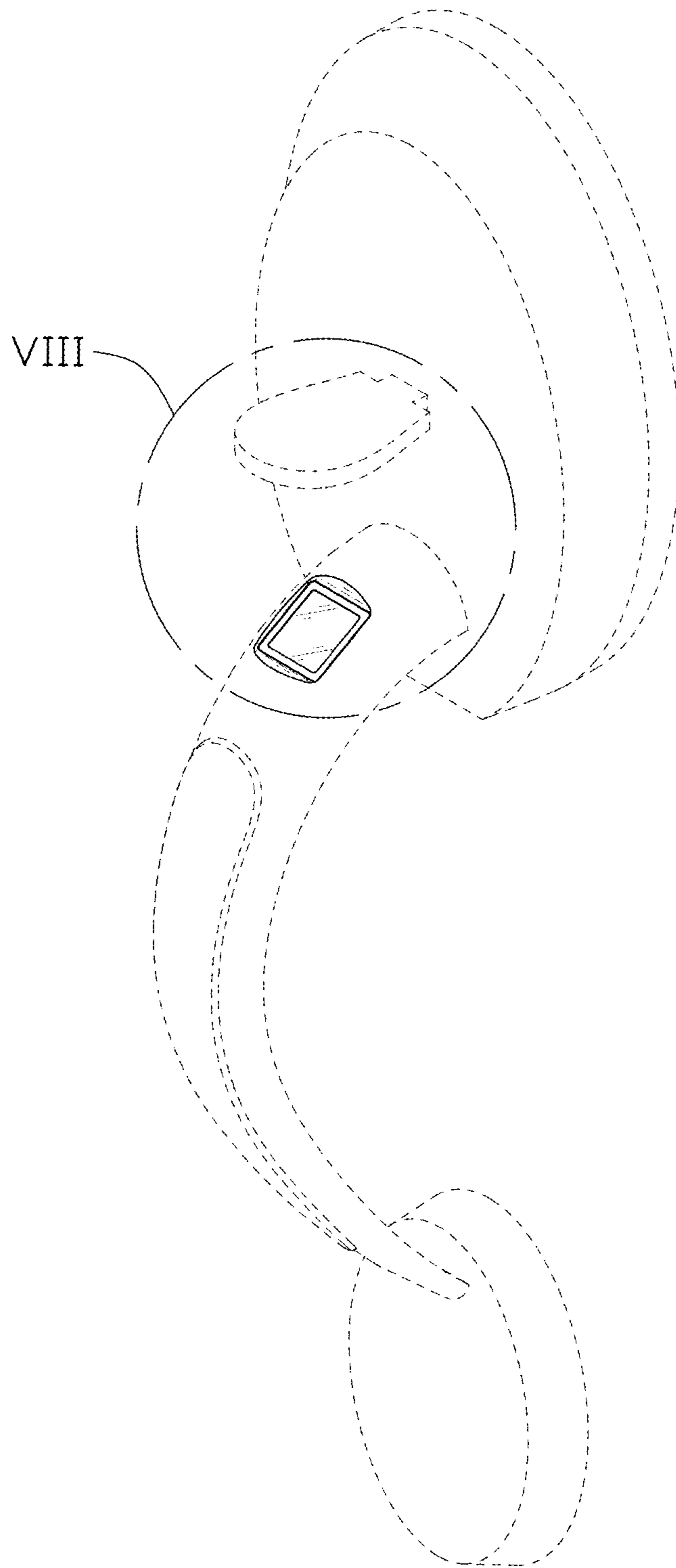


FIG. 1

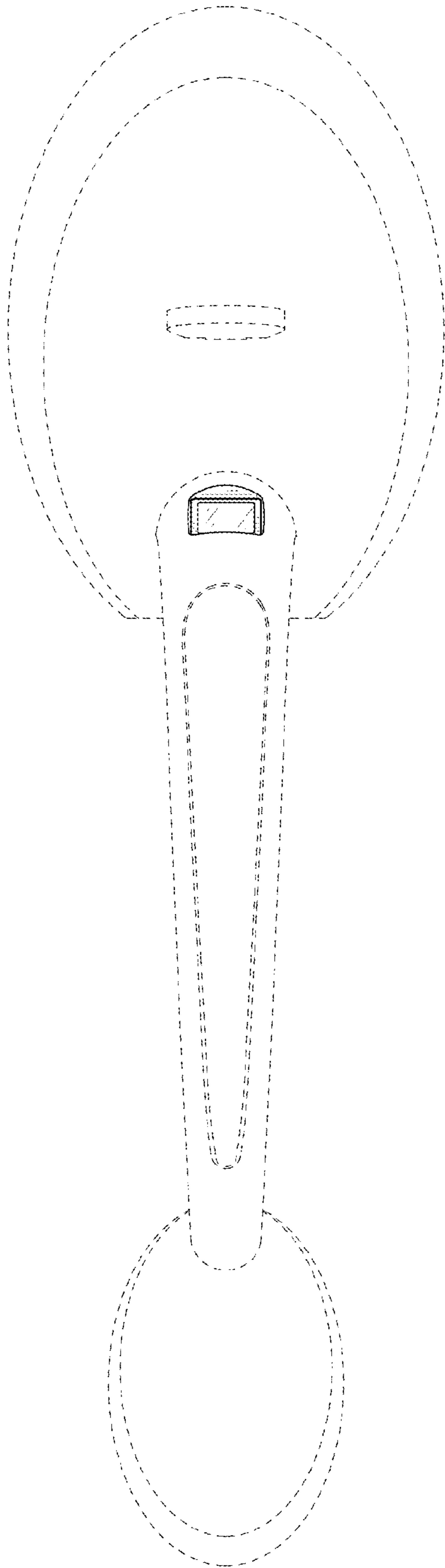


FIG. 2

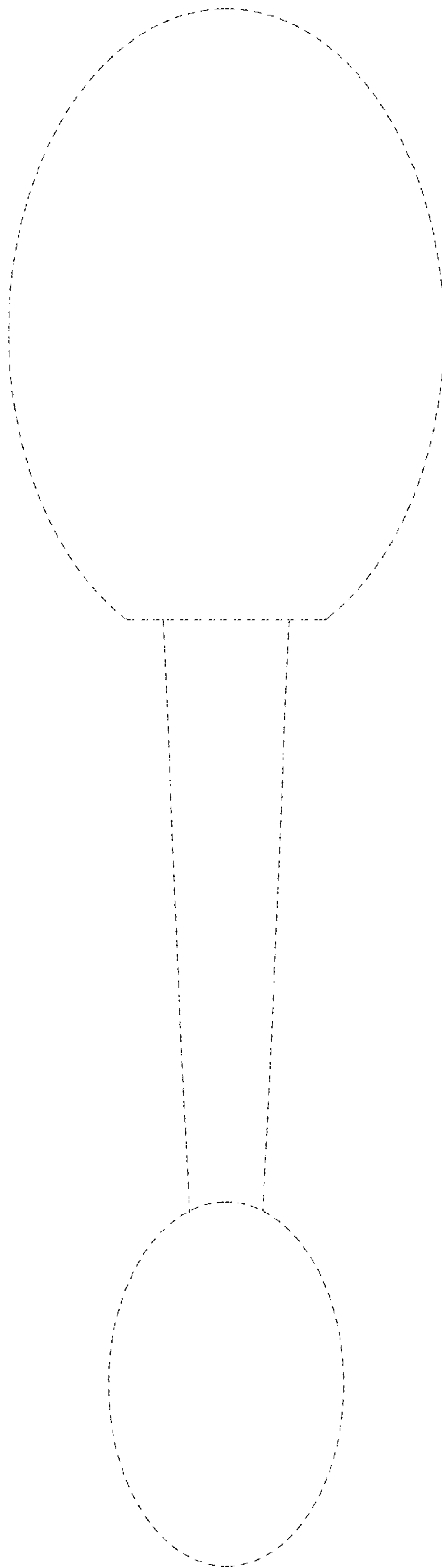


FIG. 3

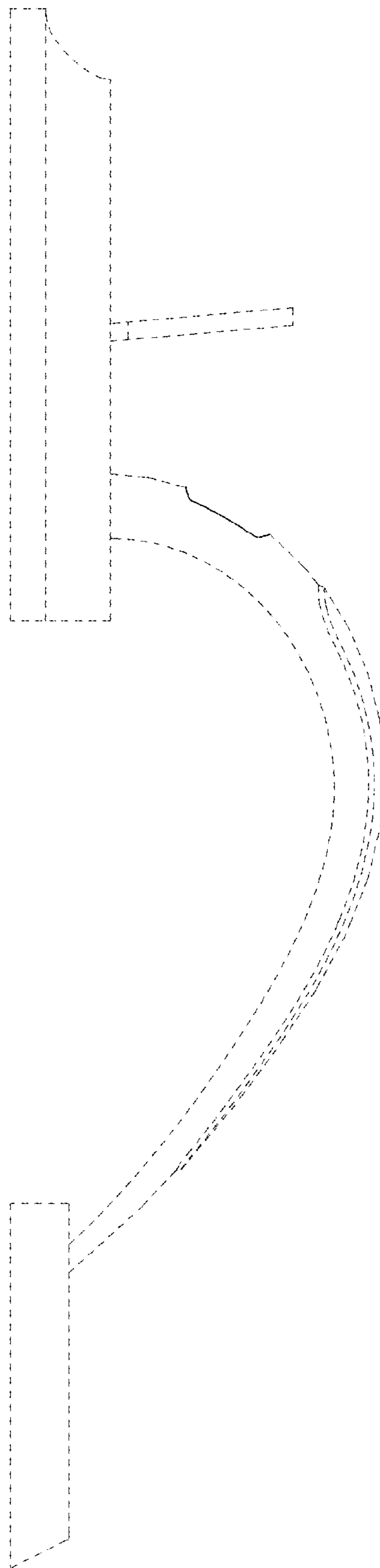


FIG. 4

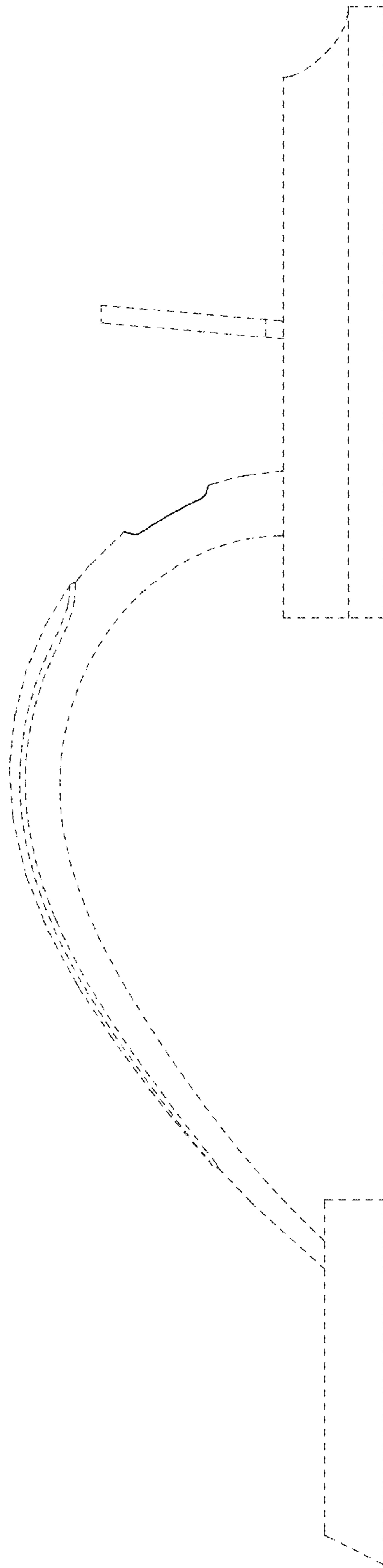


FIG. 5

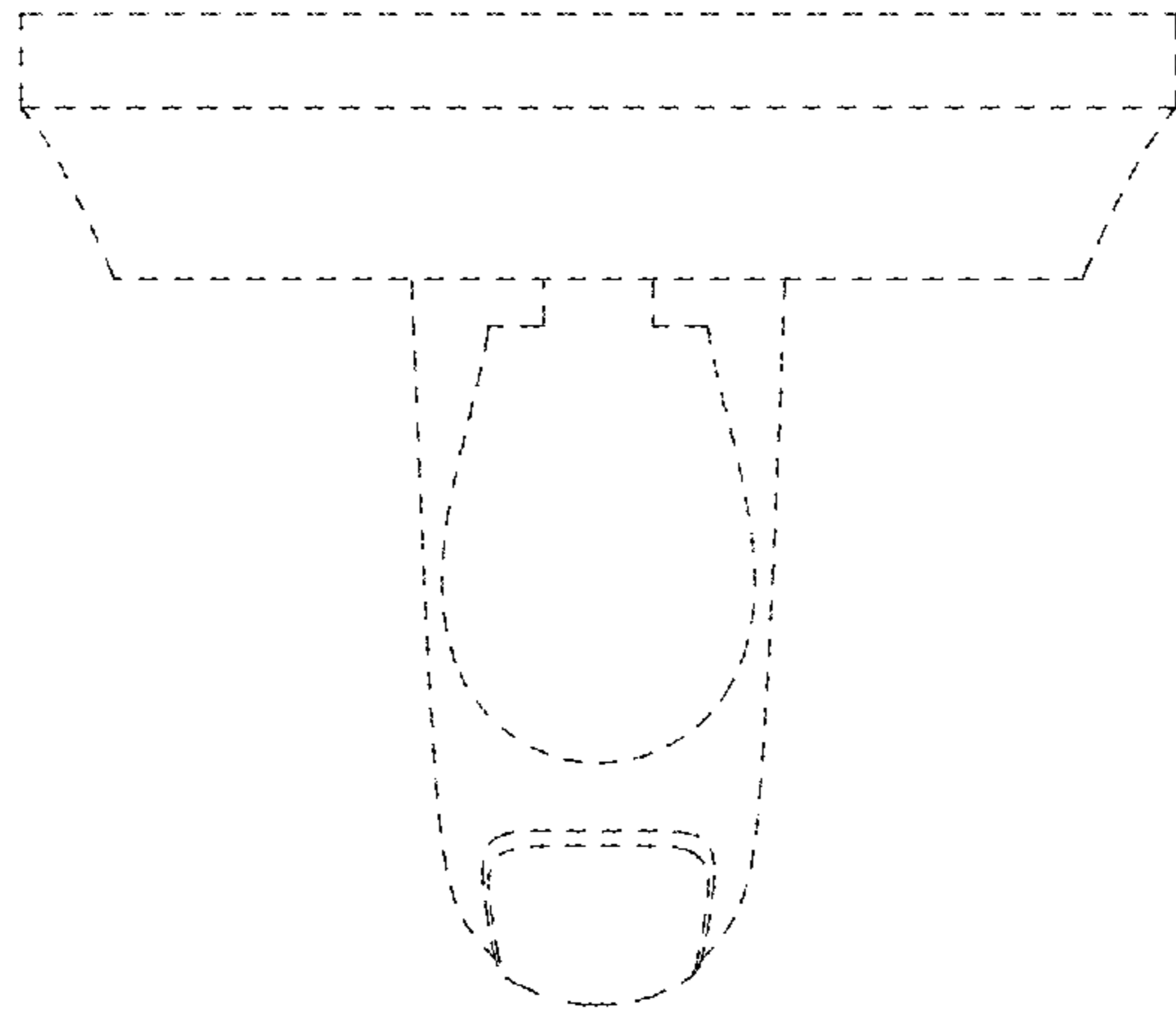


FIG. 6

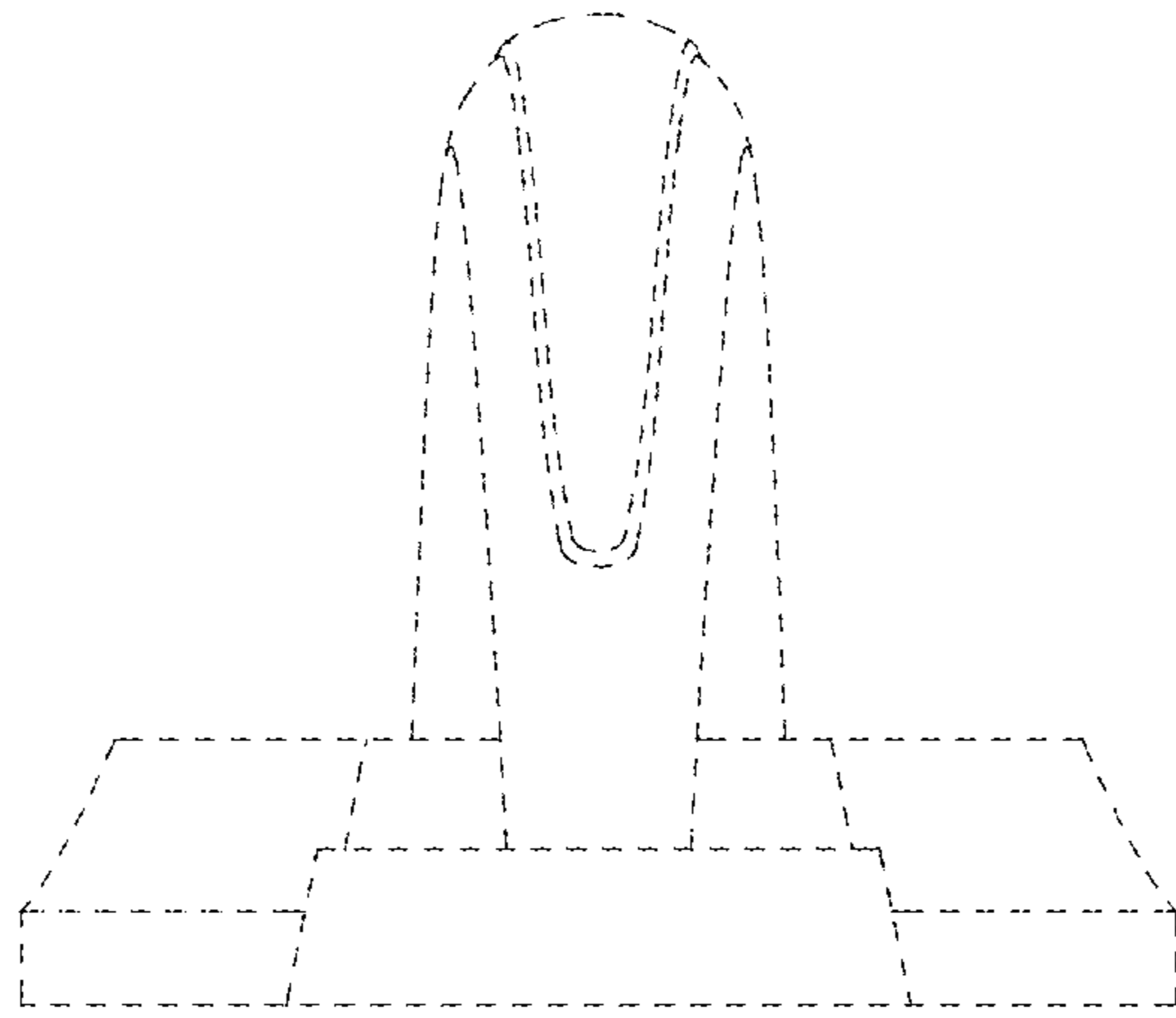


FIG. 7



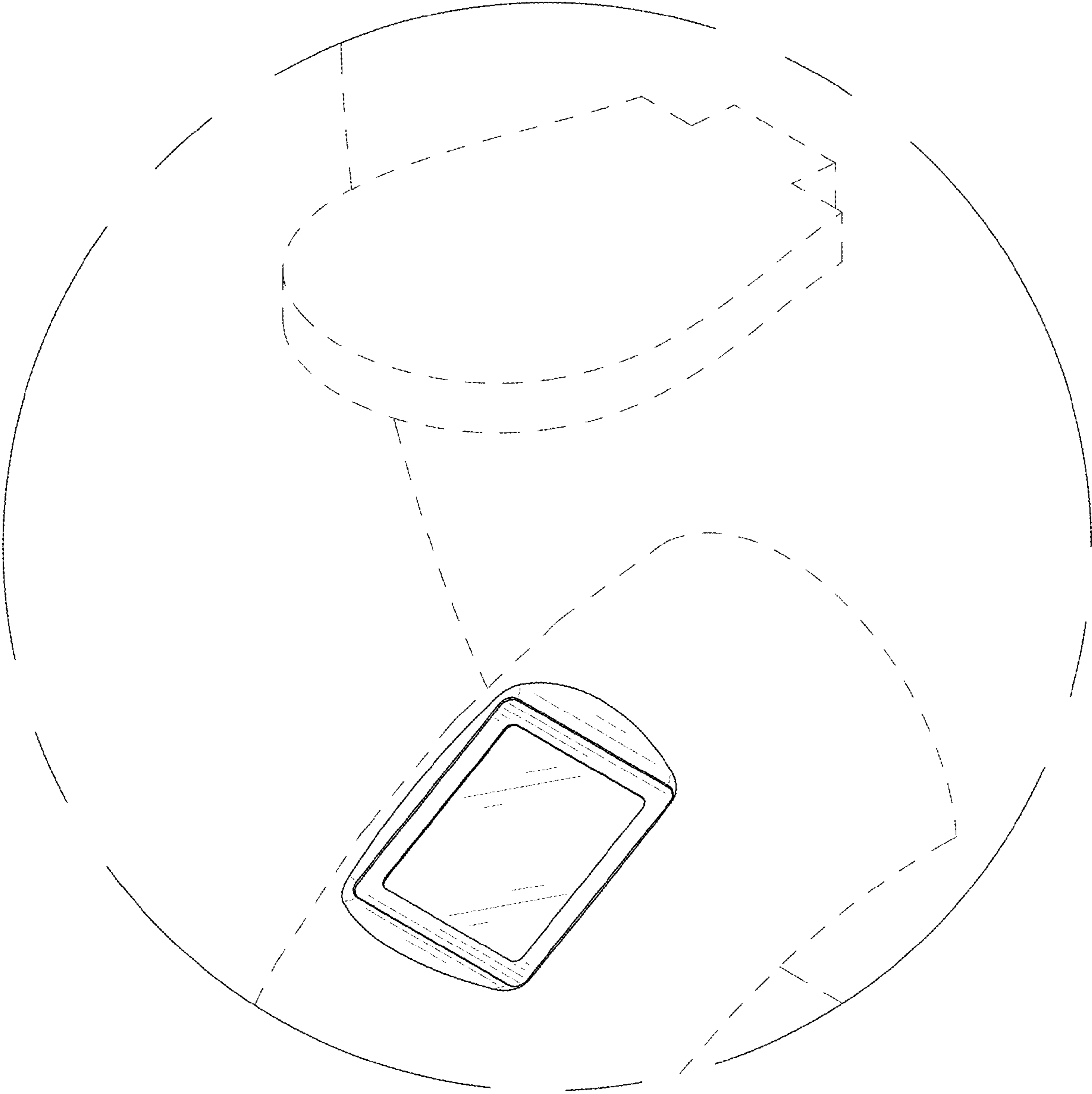


FIG. 8