



US00D933453S

(12) **United States Design Patent** (10) **Patent No.:** **US D933,453 S**
Hodge (45) **Date of Patent:** **** Oct. 19, 2021**

(54) **LID LOCKING APPARATUS FOR A TRASH CONTAINER**

(71) Applicant: **Hodge Products, Inc.**, San Diego, CA (US)

(72) Inventor: **Anthony A. Hodge**, Santee, CA (US)

(73) Assignee: **Hodge Products, Inc.**, San Diego, CA (US)

(**) Term: **15 Years**

(21) Appl. No.: **29/716,998**

(22) Filed: **Dec. 13, 2019**

(51) **LOC (13) Cl.** **08-07**

(52) **U.S. Cl.**
USPC **D8/340**

(58) **Field of Classification Search**
USPC D8/340
CPC B65F 2210/148; B65F 1/1615
See application file for complete search history.

(56) **References Cited**

U.S. PATENT DOCUMENTS

334,840 A	1/1886	Barnard	
351,252 A	10/1886	Dare	
353,088 A	11/1886	Shopman	
550,546 A	11/1895	Clinton	
739,640 A	9/1903	Beehler	
878,047 A	2/1908	Darracott	
2,198,079 A	4/1940	Ferris et al.	
2,517,185 A	8/1950	Elmer	
D174,171 S *	3/1955	Foreman et al.	D8/340
4,198,083 A	4/1980	Fessler	
4,202,574 A *	5/1980	Redmayne	B65F 1/1615 16/DIG. 14
4,625,891 A *	12/1986	Lilly	B65F 1/1615 220/327
4,694,667 A	9/1987	Hodge	

5,029,724 A	7/1991	Serio	
5,104,163 A	4/1992	Palmer, Jr. et al.	
5,224,743 A	7/1993	Dawdy et al.	
5,683,126 A	11/1997	De Vivo et al.	
6,733,053 B2	5/2004	Hodge et al.	
7,086,557 B2 *	8/2006	Miller	B65F 1/16 220/836
7,597,365 B2	10/2009	Kreitzer	

(Continued)

Primary Examiner — Doris Clark
(74) *Attorney, Agent, or Firm* — Procopio Cory Hargreaves et al

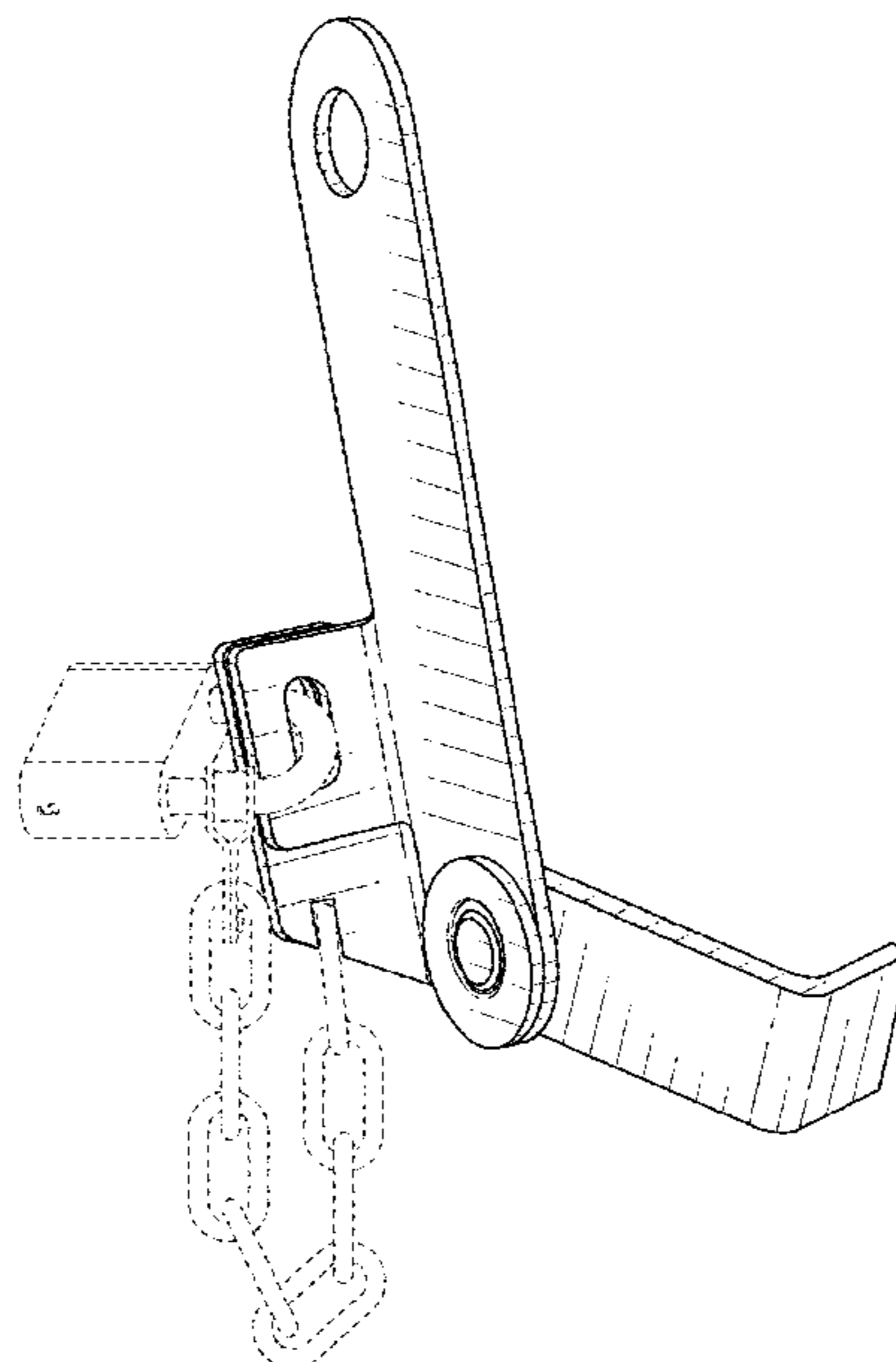
(57) **CLAIM**

The ornamental design for a lid locking apparatus for a trash container, as shown and described.

DESCRIPTION

FIG. 1 is a perspective view of the lid locking apparatus for a trash container shown in a closed position with a chain and padlock attached.
FIG. 2 is another perspective view of the lid locking apparatus for a trash container.
FIG. 3 is a front elevational view of the lid locking apparatus for a trash container.
FIG. 4 is a rear elevational view of the lid locking apparatus for a trash container.
FIG. 5 is a left side elevational view of the lid locking apparatus for a trash container.
FIG. 6 is a right side elevational view of the lid locking apparatus for a trash container.
FIG. 7 is a top plan view of the lid locking apparatus for a trash container; and,
FIG. 8 is a bottom plan view of the lid locking apparatus for a trash container.
The broken lines showing the chain and the padlock in FIG. 1 are included for the purpose of illustrating environmental elements only and form no part of the claimed design.

1 Claim, 5 Drawing Sheets



(56)

References Cited

U.S. PATENT DOCUMENTS

7,810,854	B2	10/2010	Hodge et al.	
8,136,852	B1	3/2012	Thomas	
8,313,126	B2	11/2012	Ferkovich et al.	
8,935,944	B2	1/2015	Boesel et al.	
8,979,142	B2 *	3/2015	Curotto	B65F 3/00 292/130
9,580,243	B2	2/2017	Reeb	
9,764,895	B2 *	9/2017	Salinas	B65F 3/00
10,900,255	B2 *	1/2021	Fink	B65F 1/1615
11,053,071	B2 *	7/2021	Hodge	E05B 67/383

* cited by examiner

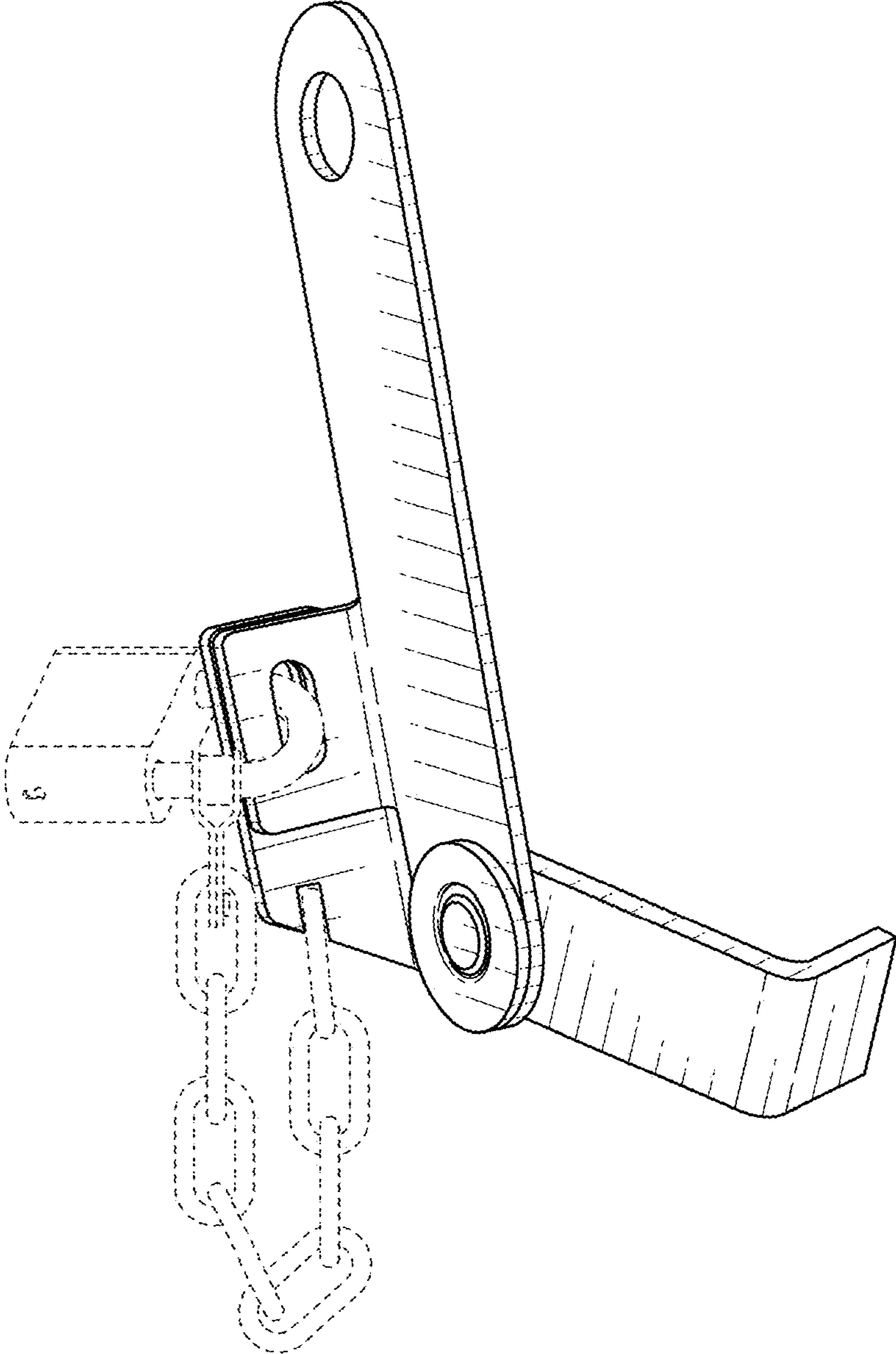


FIG. 1

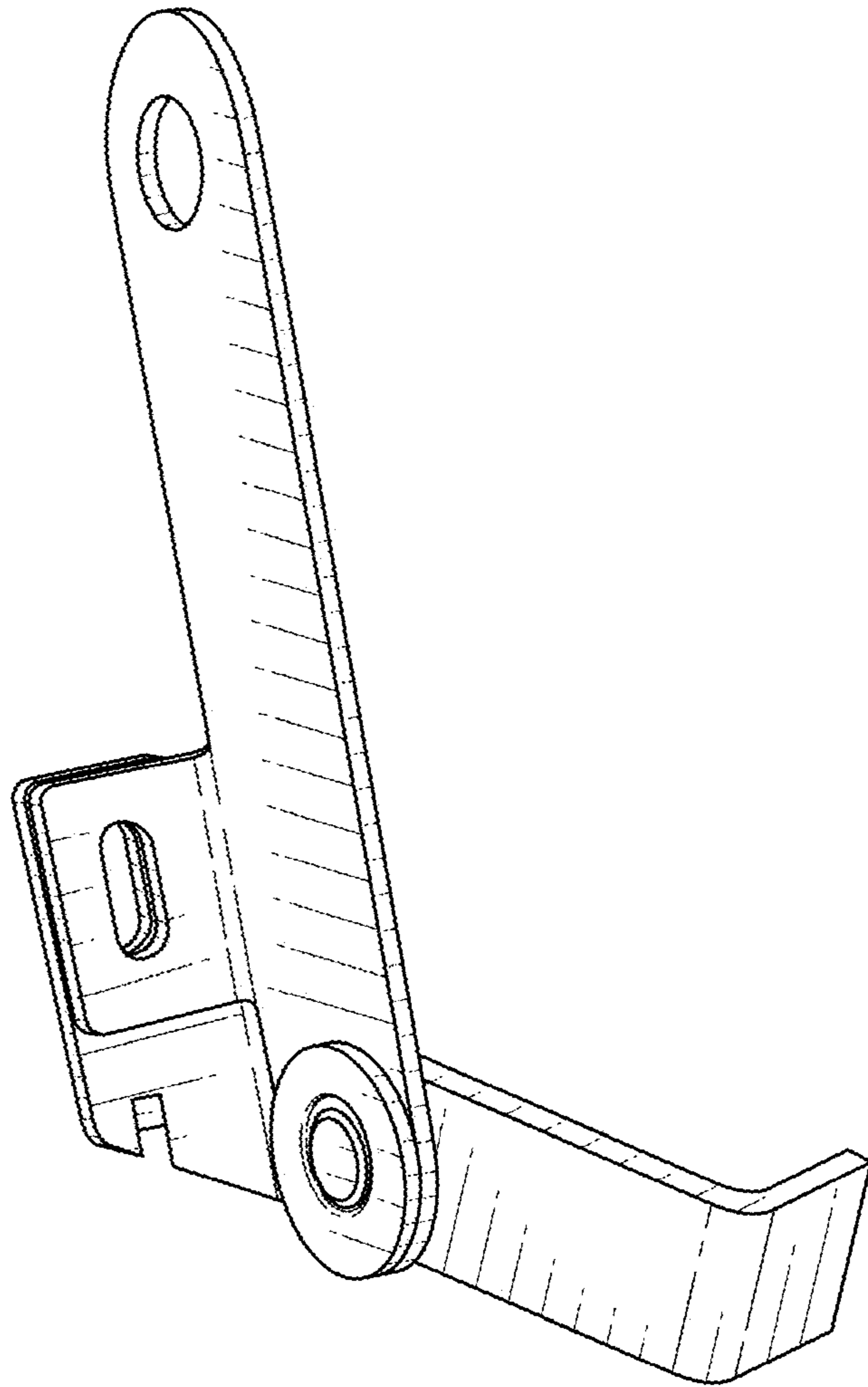


FIG. 2

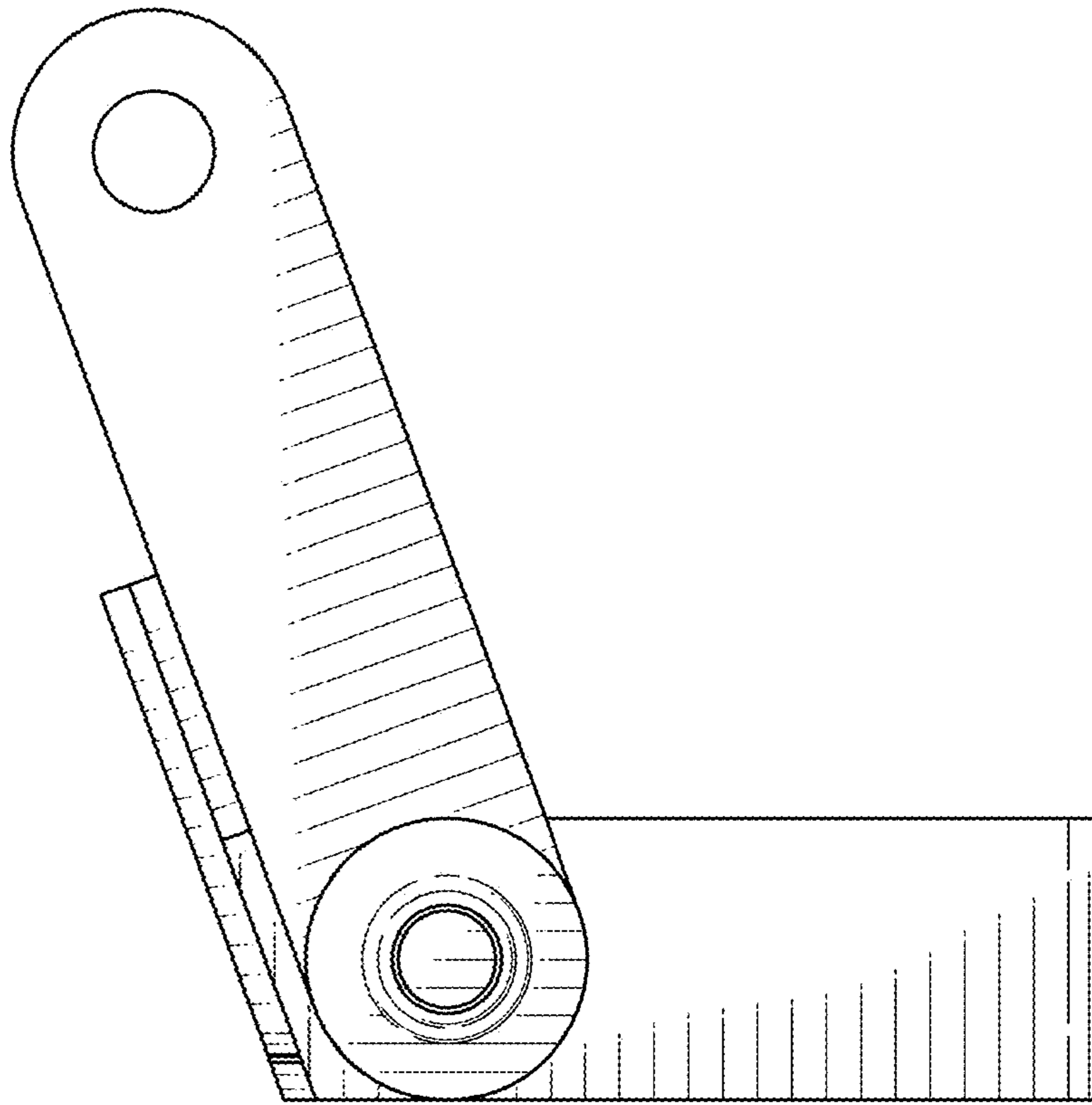


FIG. 3

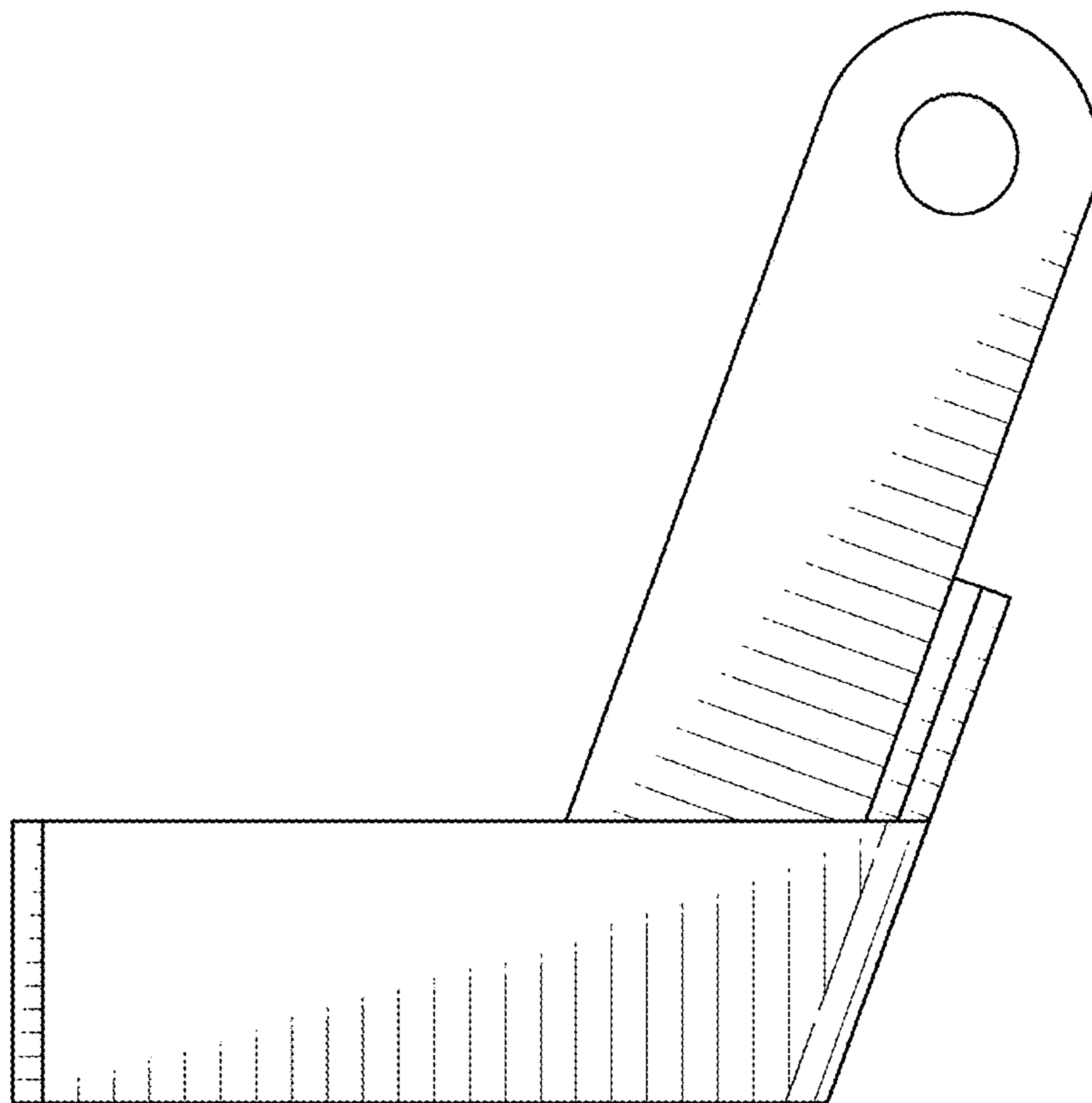


FIG. 4

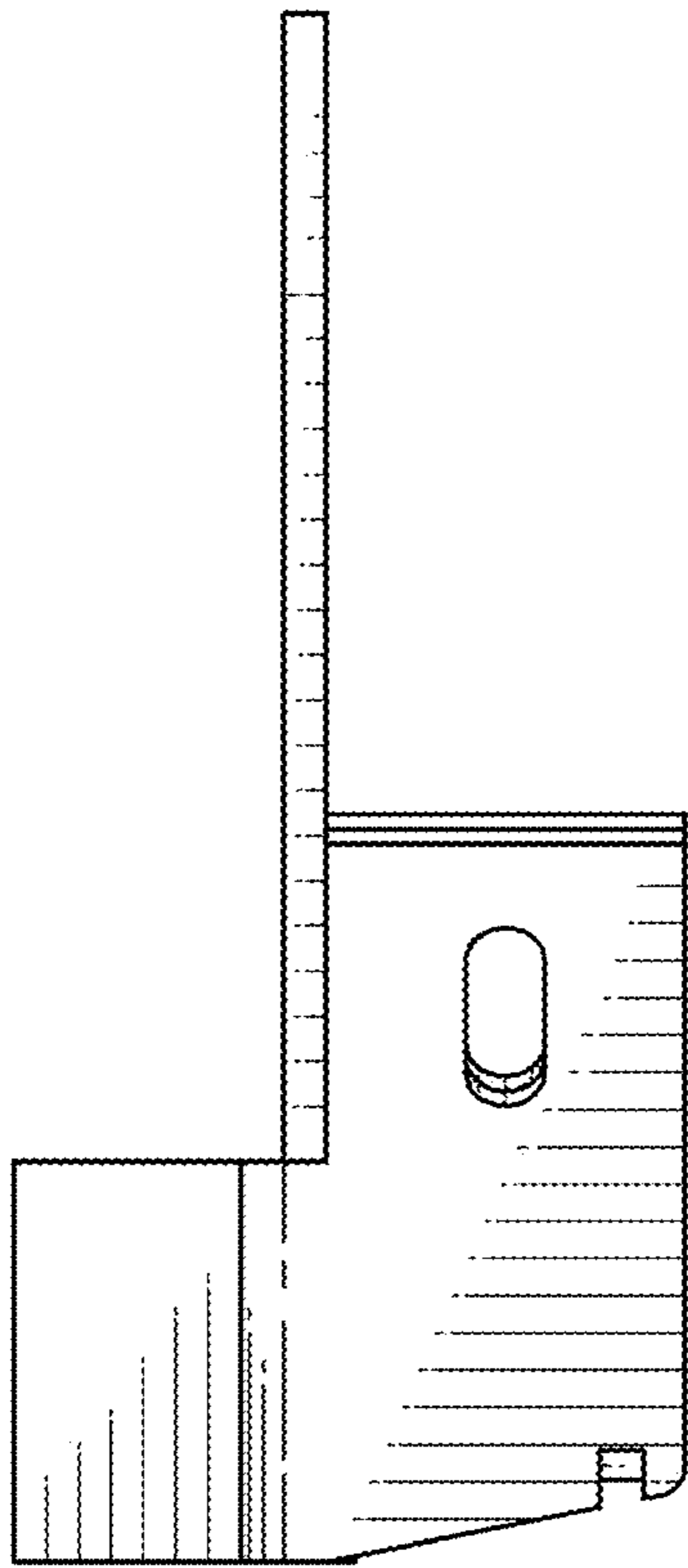


FIG. 5

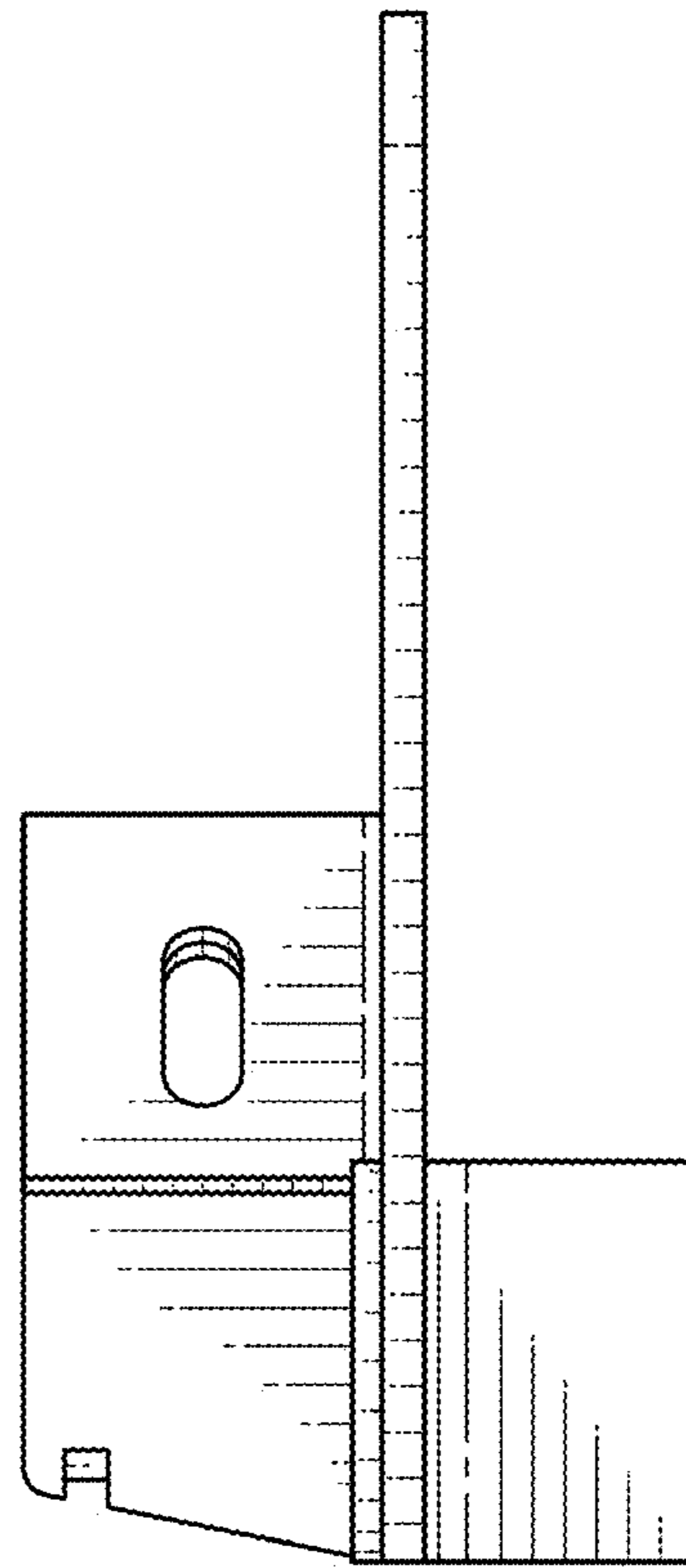


FIG. 6

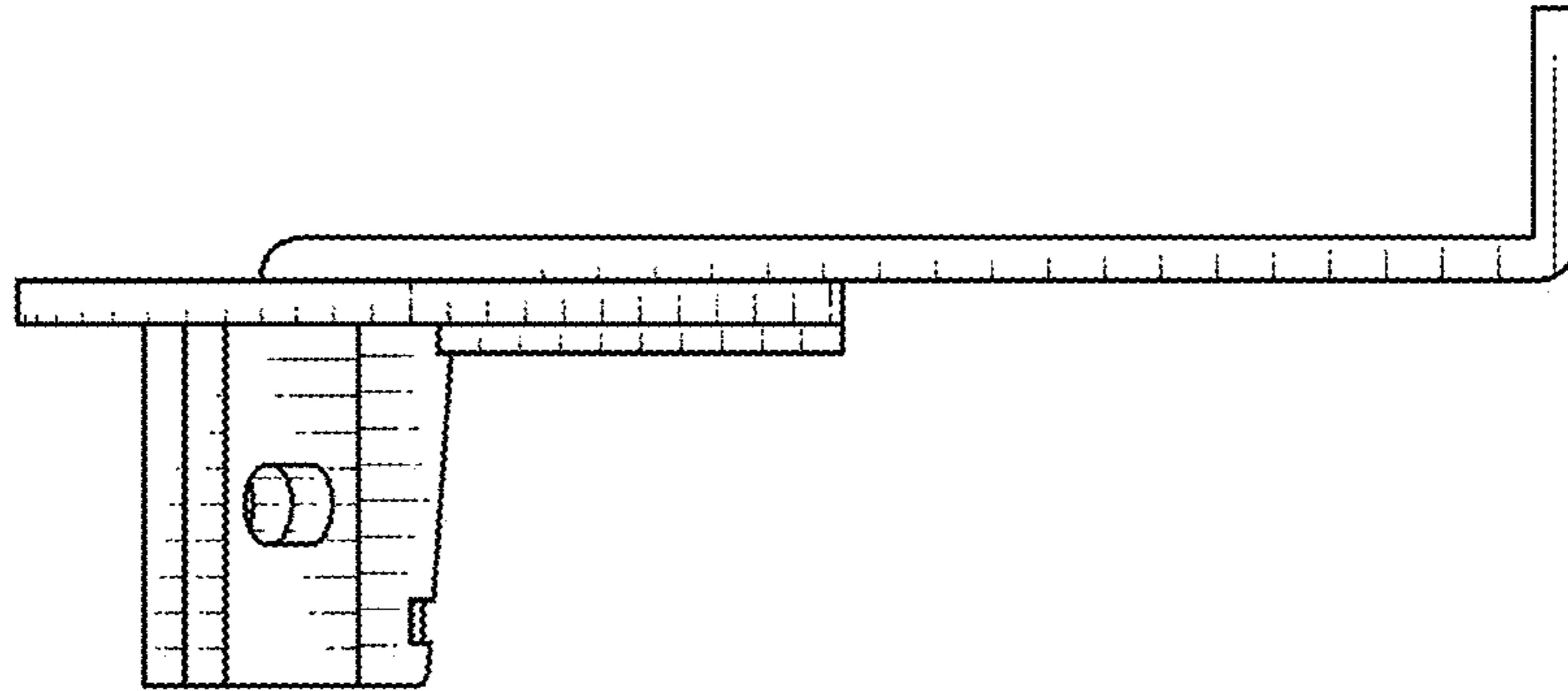


FIG. 7

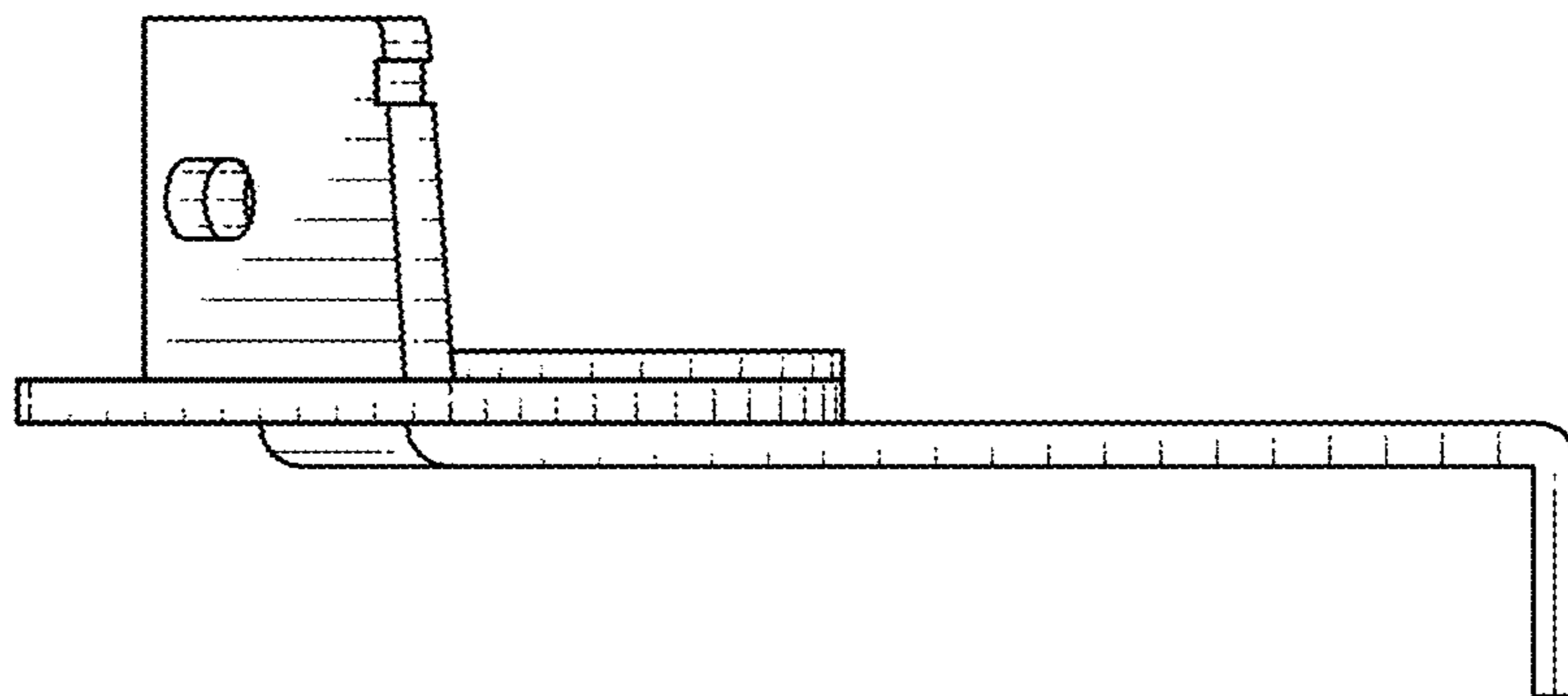


FIG. 8