



US00D933452S

(12) **United States Design Patent** (10) **Patent No.:** **US D933,452 S**  
**Wesley** (45) **Date of Patent:** **\*\* Oct. 19, 2021**

(54) **DOOR-LOCK SECURITY DEVICE**  
(71) Applicant: **Troy L. Wesley**, Columbus, OH (US)  
(72) Inventor: **Troy L. Wesley**, Columbus, OH (US)  
(73) Assignee: **TLW Marketing Group LLC**, Columbus, OH (US)  
(\*\*) Term: **15 Years**  
(21) Appl. No.: **29/737,200**  
(22) Filed: **Jun. 5, 2020**  
(51) **LOC (13) Cl.** ..... **08-07**  
(52) **U.S. Cl.**  
USPC ..... **D8/336**  
(58) **Field of Classification Search**  
USPC ..... D8/336, 338  
CPC ..... E05B 2067/066; E05B 17/203; E05B 17/2015; E05B 17/2011; E05B 17/2007; E05B 17/2003; E05B 17/20; E05B 2015/023; Y10T 292/79; Y10T 292/68  
See application file for complete search history.

(56) **References Cited**  
U.S. PATENT DOCUMENTS  
2,515,364 A 7/1950 Weaver  
3,279,840 A \* 10/1966 Barone ..... E05B 17/2003  
292/346  
3,585,827 A 6/1971 Dominguez  
3,825,291 A \* 7/1974 Sprunger ..... E05B 17/2003  
292/346  
4,189,176 A \* 2/1980 Hamilton ..... E05B 17/2023  
292/1  
D258,715 S \* 3/1981 Gipson ..... D8/333  
4,279,137 A 7/1981 Cook  
4,953,901 A \* 9/1990 Hegdahl ..... E05B 15/0205  
292/340  
5,035,128 A 7/1991 Ringway

5,257,520 A \* 11/1993 Miller ..... E05B 37/00  
70/333 A  
6,182,485 B1 2/2001 Moore  
6,301,941 B1 10/2001 Nicholsgueiredo  
6,993,944 B2 2/2006 Hicks  
D728,345 S \* 5/2015 Levinson ..... D8/336  
9,255,426 B2 \* 2/2016 Storey ..... E05B 17/14  
9,644,395 B2 5/2017 Strand  
2012/0222459 A1 9/2012 Hicks

\* cited by examiner

Primary Examiner — Doris Clark

(74) Attorney, Agent, or Firm — Porter, Wright, Morris & Arthur, LLP

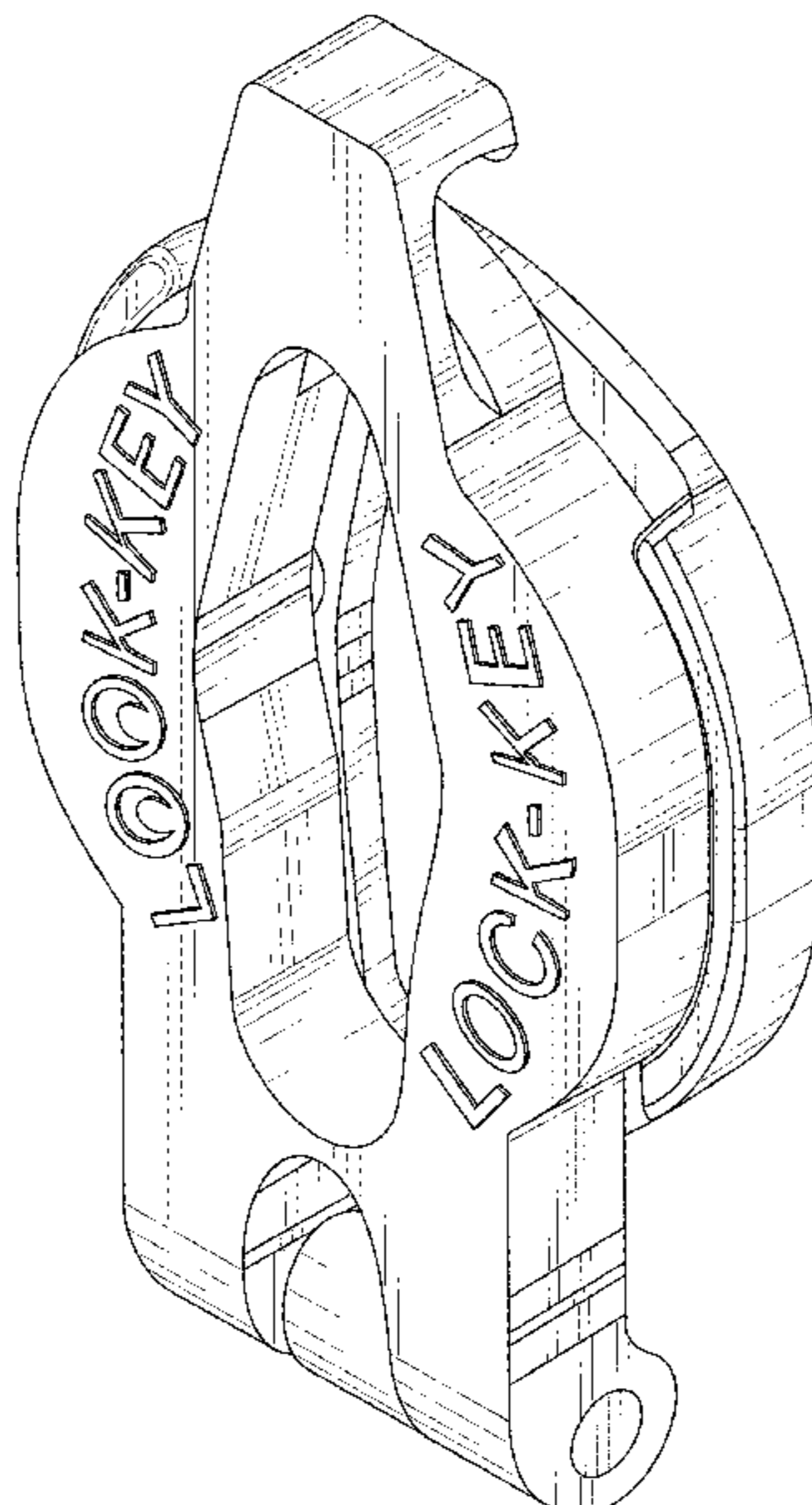
(57) **CLAIM**

The ornamental design for a door-lock security device, as shown and described.

**DESCRIPTION**

FIG. 1 is a front perspective view of a door-lock security device in a closed configuration according to my new design;  
FIG. 2 is a rear perspective view thereof;  
FIG. 3 is a front view thereof;  
FIG. 4 is a rear view thereof;  
FIG. 5 is a right-side view thereof (the left-side view being a mirror image thereof);  
FIG. 6 is a top view thereof;  
FIG. 7 is a bottom view thereof;  
FIG. 8 is a front perspective view of the door-lock security device in an open configuration according to my new design;  
FIG. 9 is a rear perspective view thereof;  
FIG. 10 is a front view thereof;  
FIG. 11 is a rear view thereof;  
FIG. 12 is a right-side view thereof (the left-side view being a mirror image thereof);  
FIG. 13 is a top view thereof; and,  
FIG. 14 is a bottom view thereof.

**1 Claim, 12 Drawing Sheets**



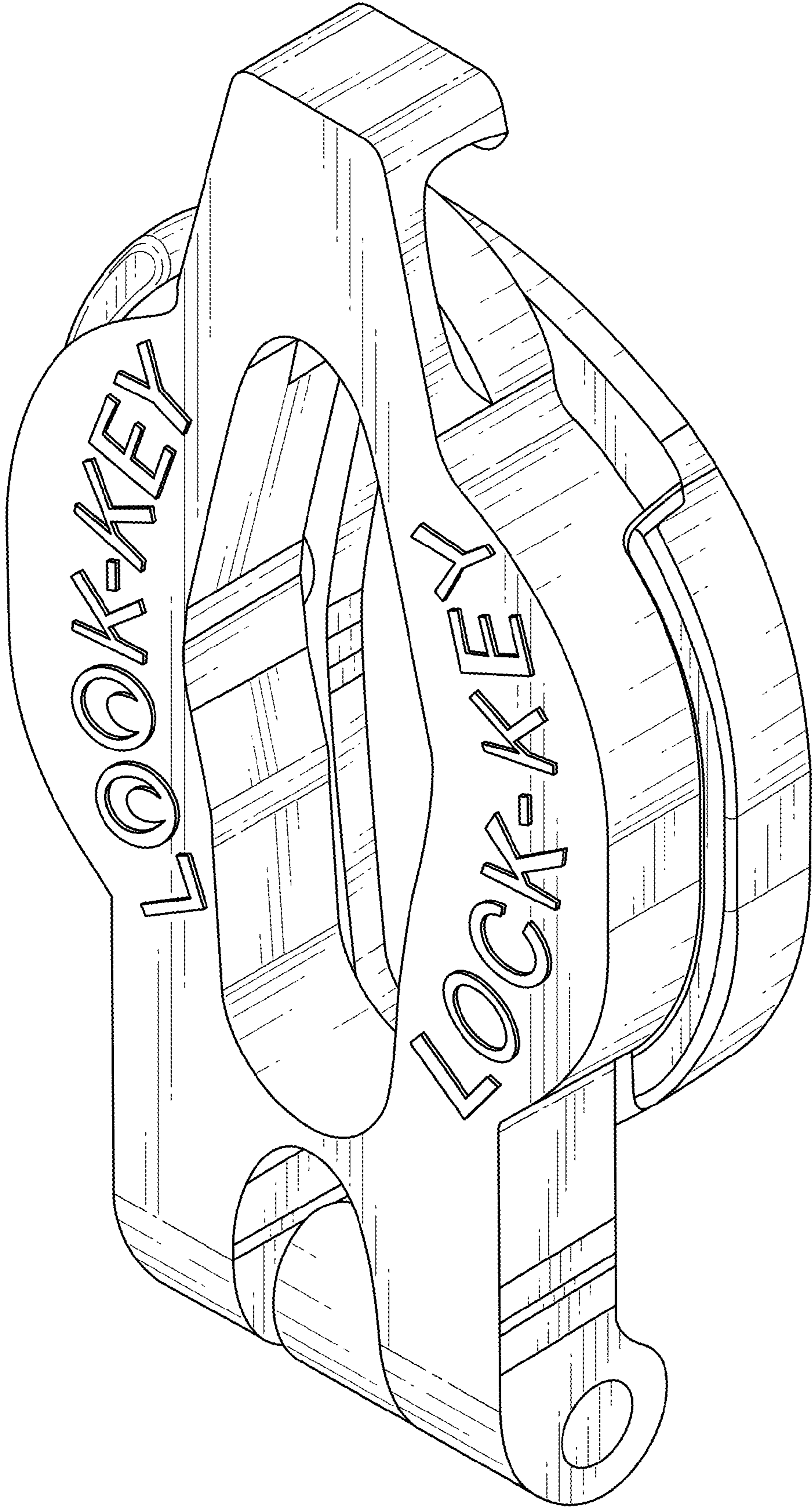


FIG. 1

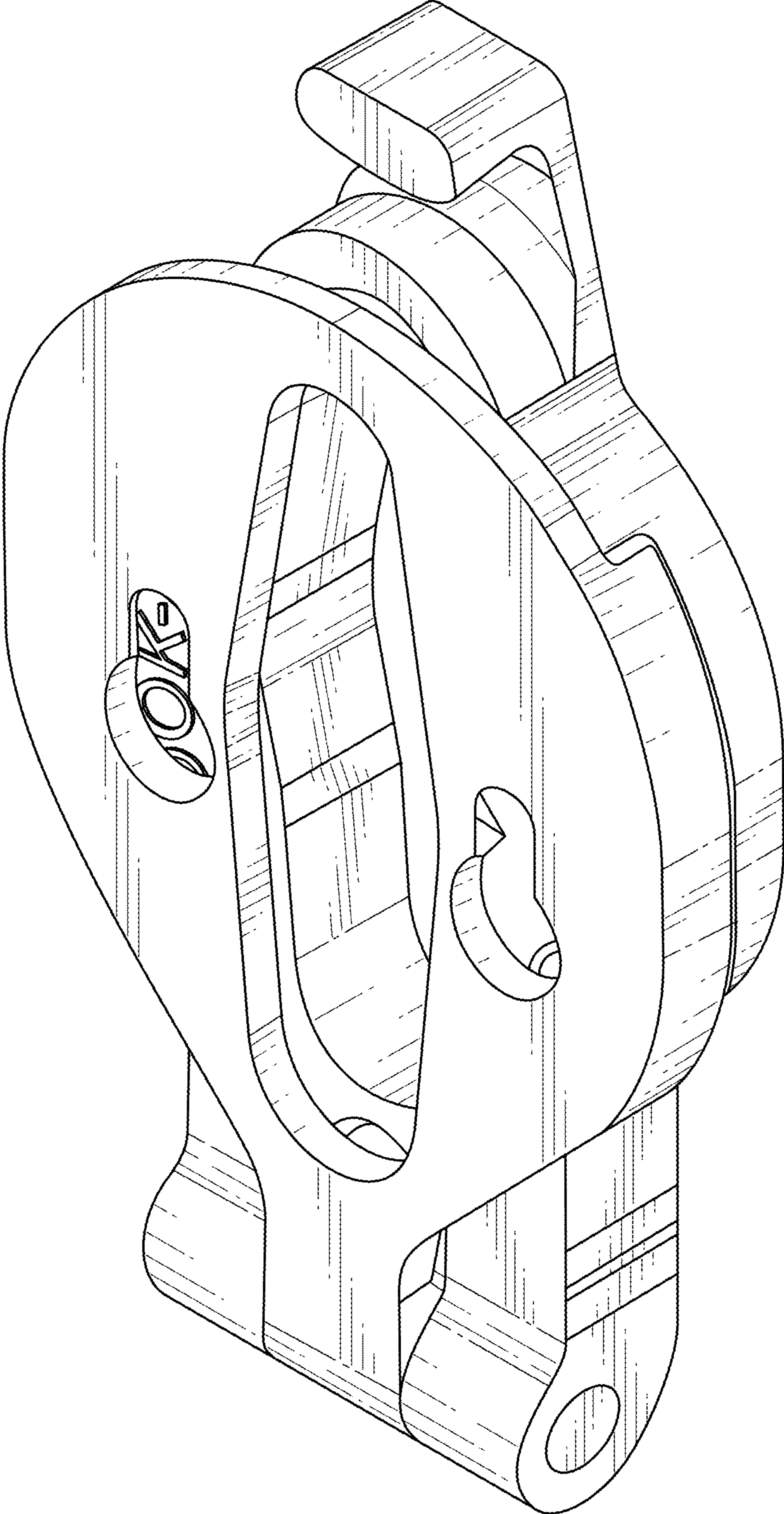


FIG. 2



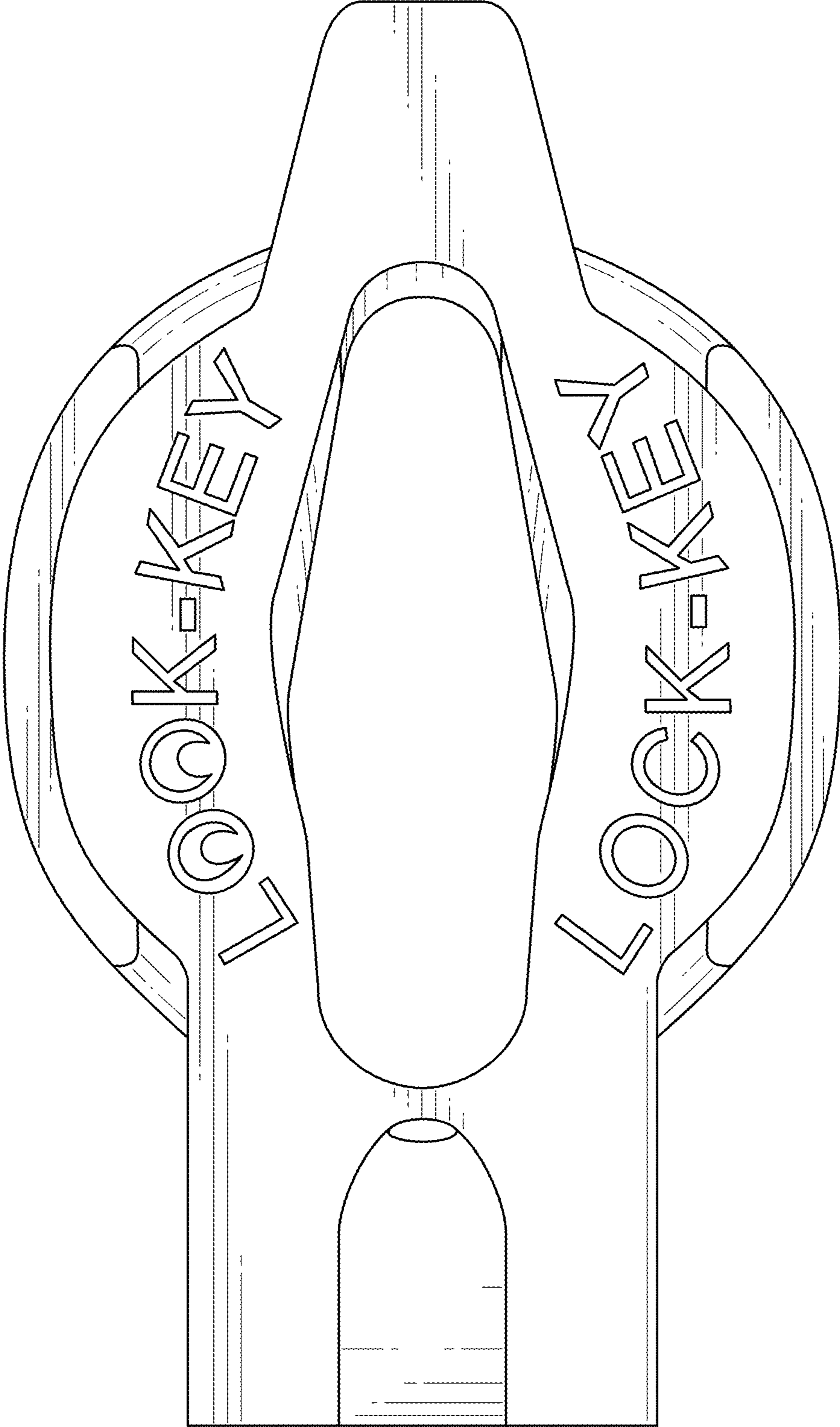


FIG. 3

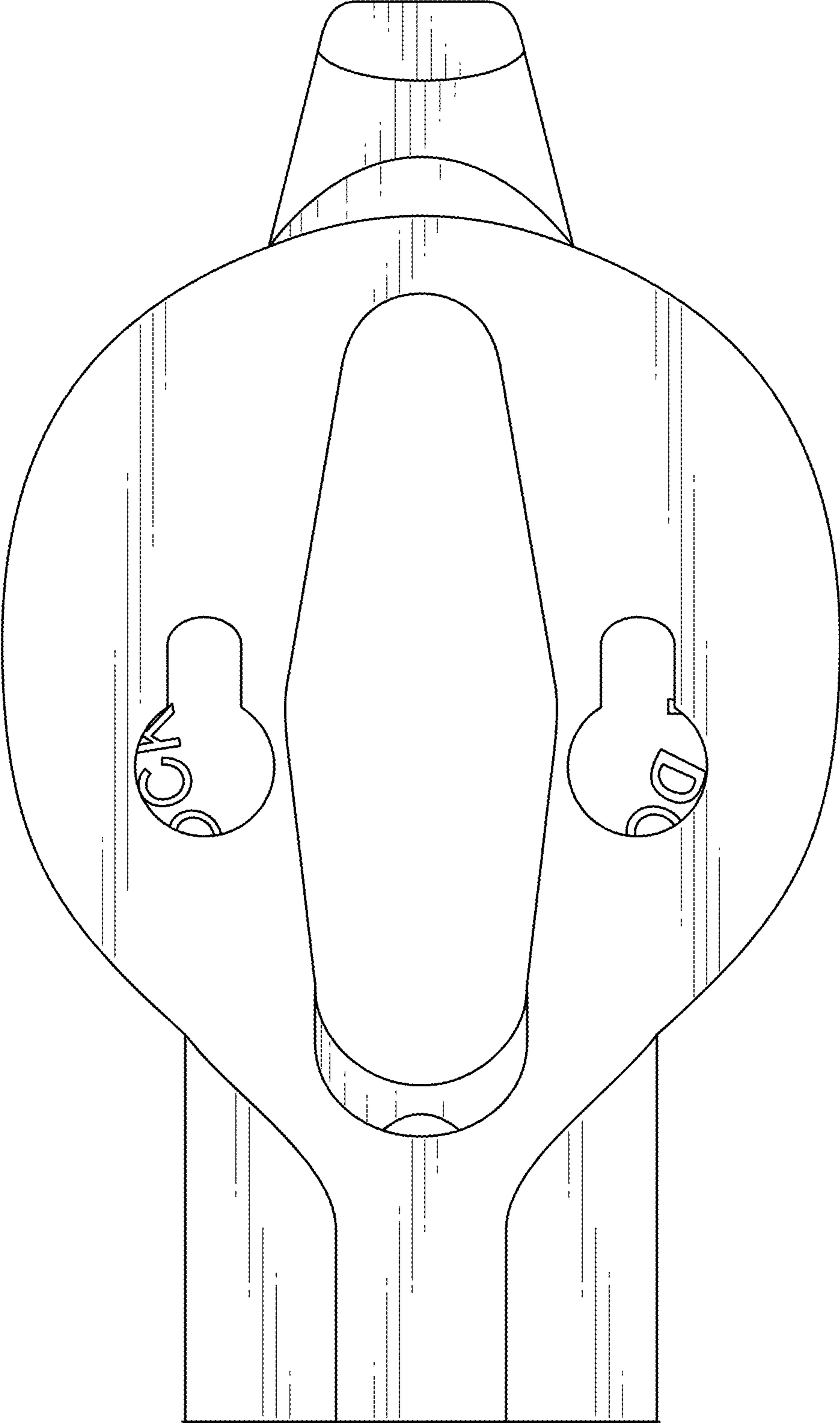


FIG. 4

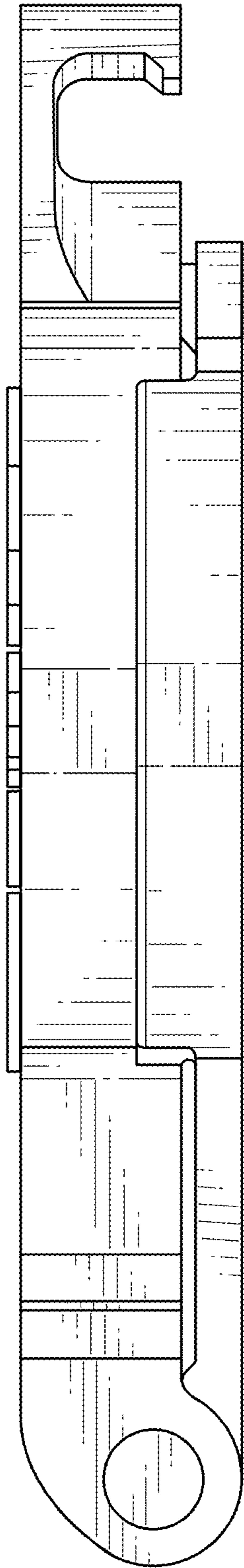


FIG. 5

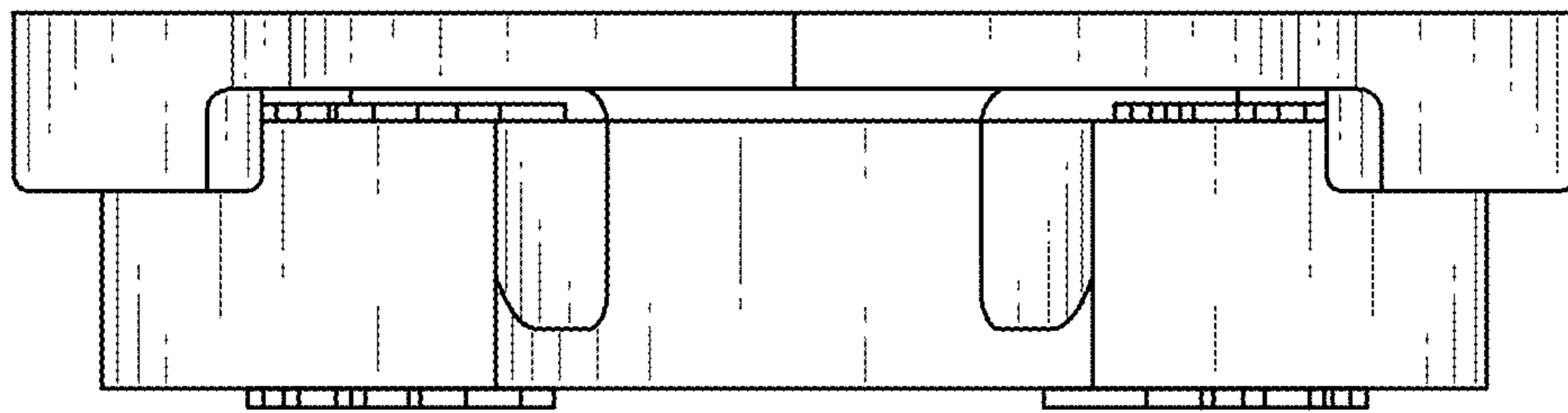


FIG. 6

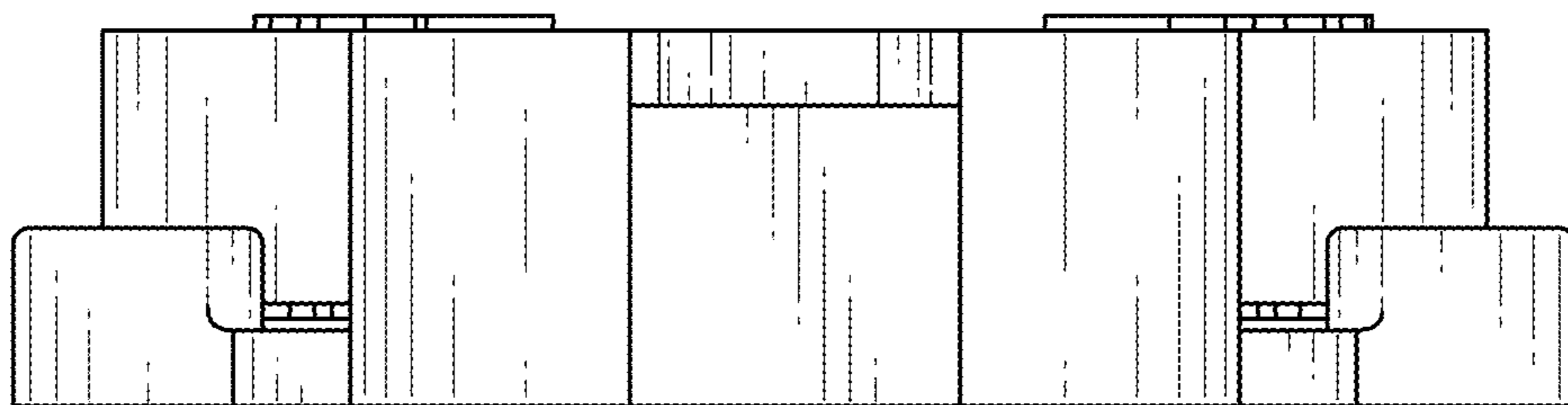


FIG. 7

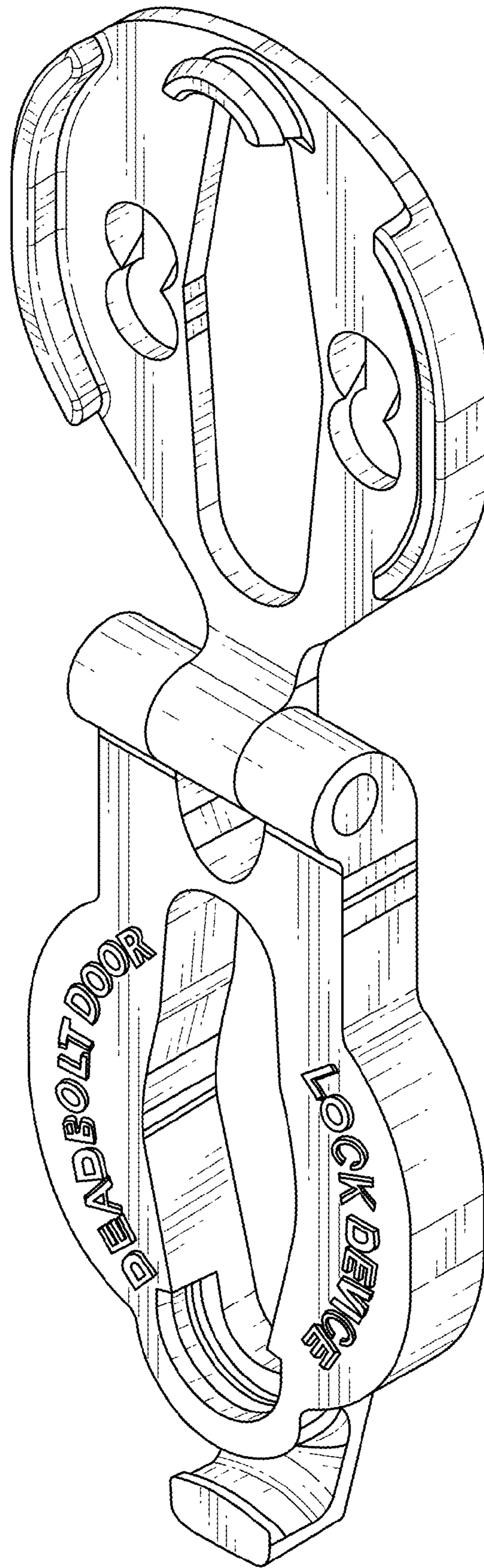


FIG. 8



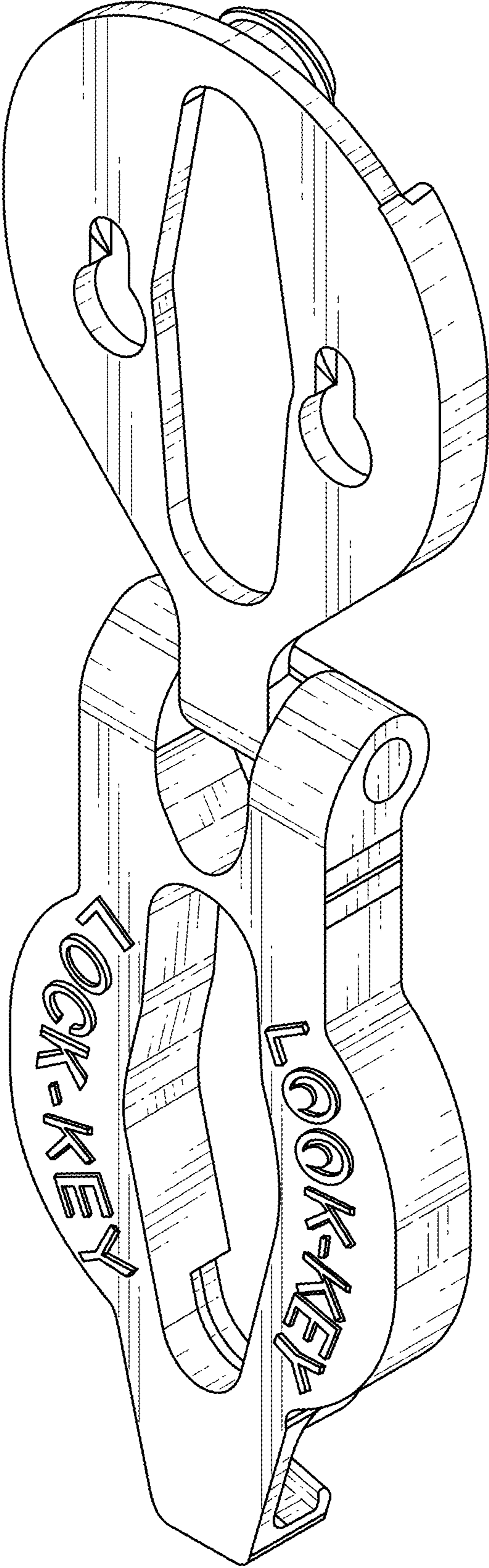


FIG. 9

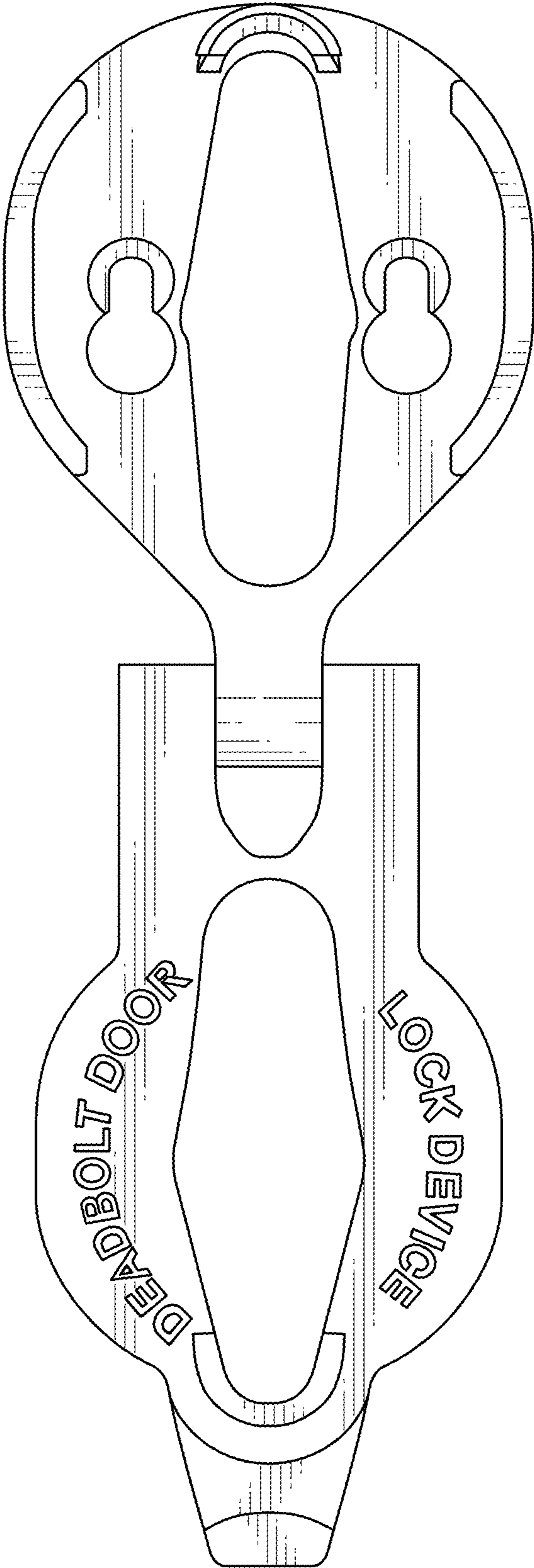


FIG. 10

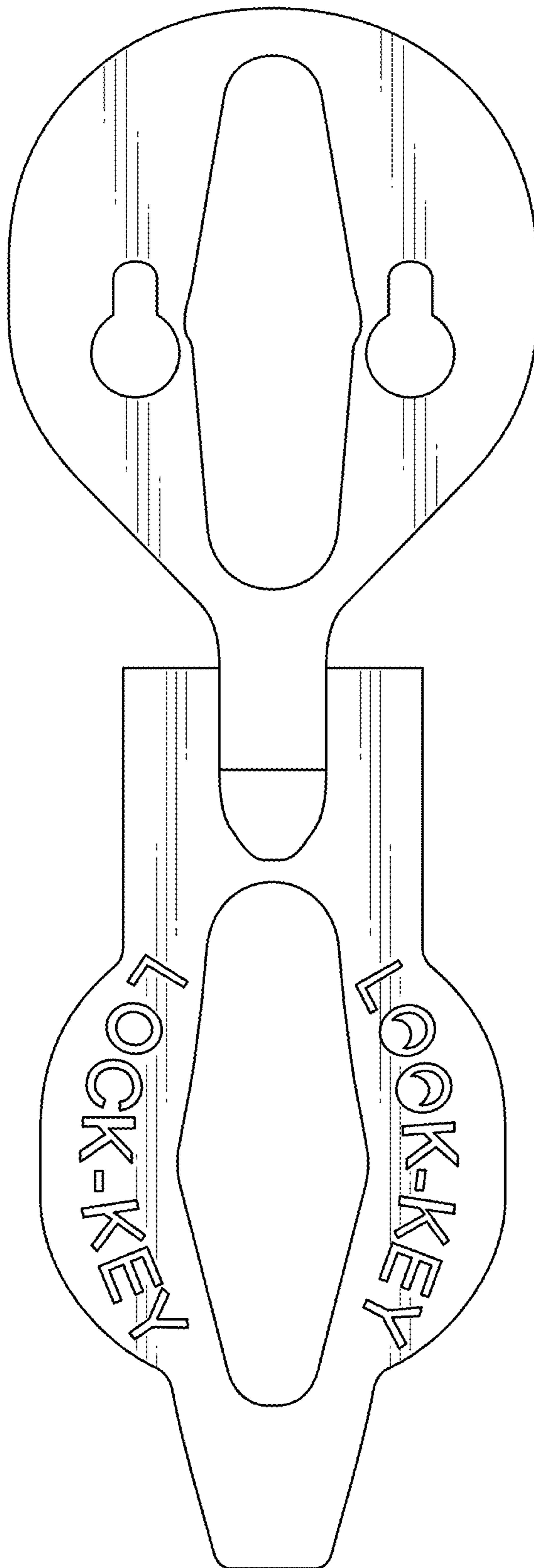


FIG. 11

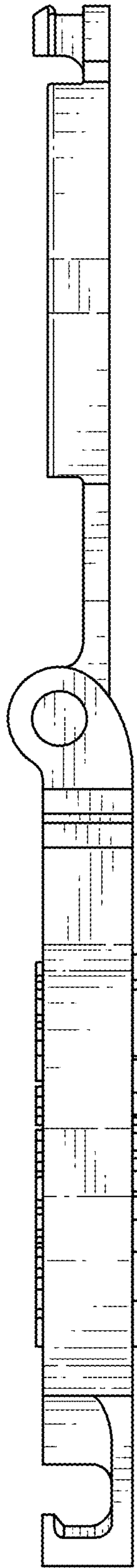


FIG. 12



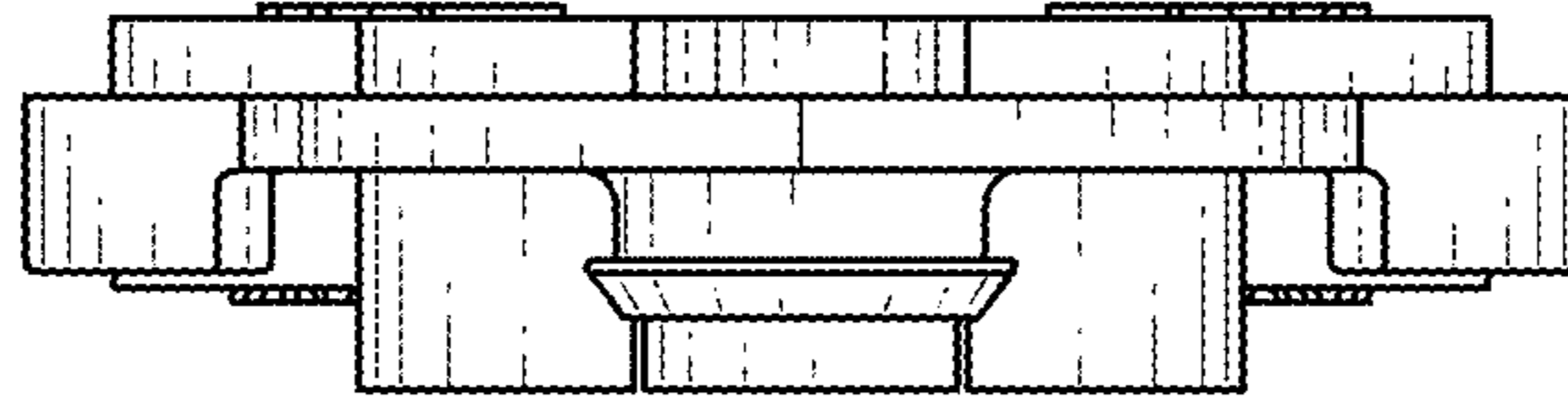


FIG. 13

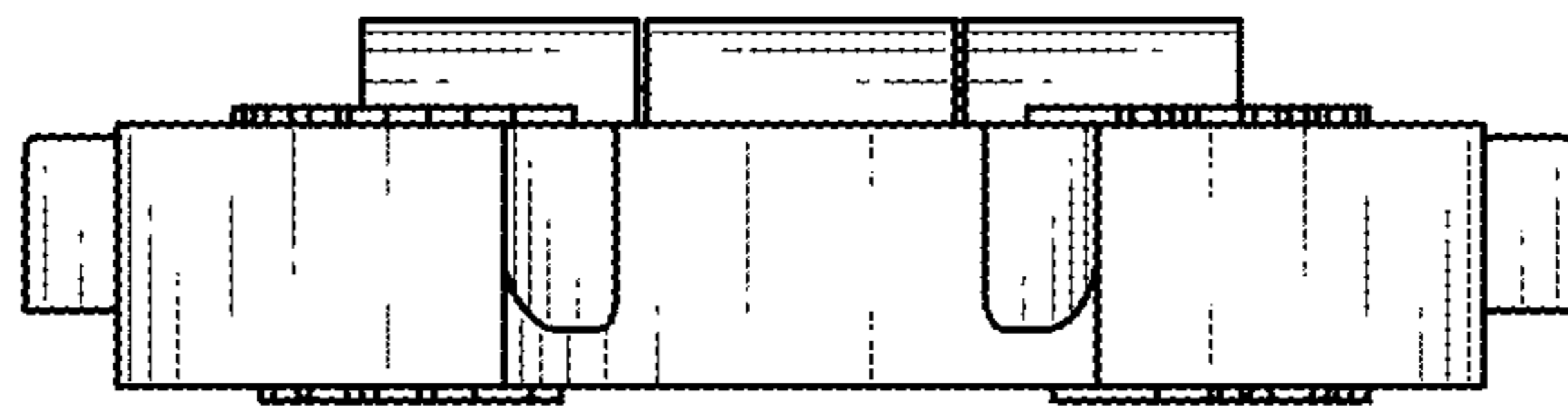


FIG. 14