



US00D933451S

(12) **United States Design Patent** (10) **Patent No.:** **US D933,451 S**
Marsden (45) **Date of Patent:** **** Oct. 19, 2021**

(54) **GATE LATCH**
(71) Applicant: **Elbee Pty Ltd.**, Bondi Junction (AU)
(72) Inventor: **Andrew Marsden**, Hingham, MA (US)
(73) Assignee: **Elbee Pty Ltd.**, Bondi Junction (AU)

9,822,585 B2 * 11/2017 Flannery E06B 9/02
10,619,408 B2 * 4/2020 Sander E06B 9/02
10,655,365 B2 * 5/2020 Benson E05C 3/14
10,745,941 B2 * 8/2020 Fang E05B 63/143
2009/0013606 A1 1/2009 Yates
2014/0007506 A1 1/2014 Huang

(**) Term: **15 Years**

* cited by examiner
Primary Examiner — Doris Clark
(74) *Attorney, Agent, or Firm* — Wolf, Greenfield & Sacks, P.C.

(21) Appl. No.: **29/722,644**

(22) Filed: **Jan. 31, 2020**

(51) **LOC (13) Cl.** **08-07**

(57) **CLAIM**

(52) **U.S. Cl.**

The ornamental design for a gate latch, as shown and described.

USPC **D8/331**

(58) **Field of Classification Search**

USPC D8/331
CPC E05B 65/0007; E05B 65/06; E06B 9/04;
E06B 3/36; E06B 2009/002; E06B 3/32;
E06B 11/02; E06B 11/022; E05Y
2001/224; E05Y 2201/20; E04H 17/14
See application file for complete search history.

DESCRIPTION

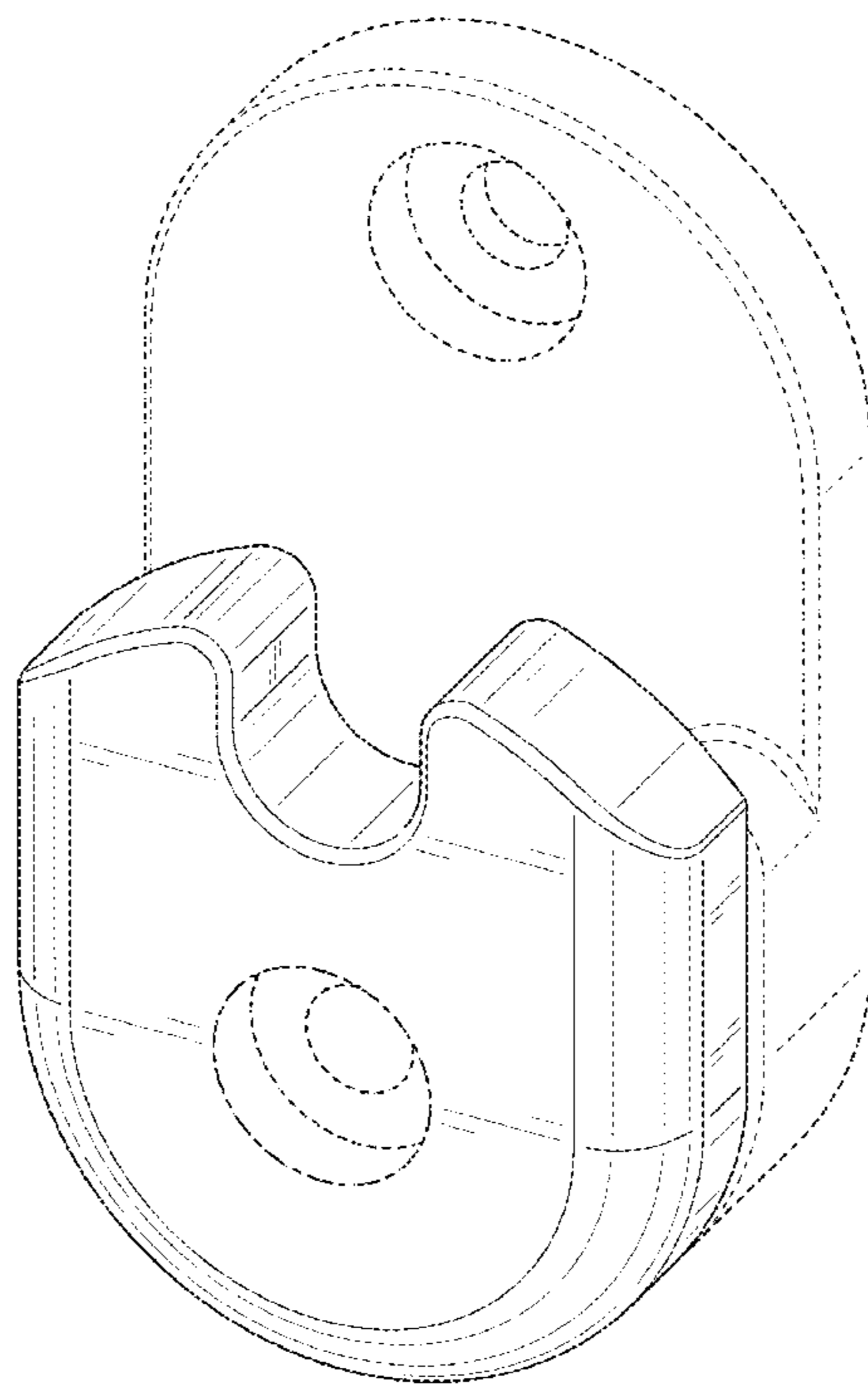
FIG. 1 is a top, front, and right side perspective view of a gate latch according to my new design, the top, front, and left side perspective view being a mirror image thereof; FIG. 2 is a front elevation view thereof; FIG. 3 is a rear elevation view thereof; FIG. 4 is a left side elevation view thereof; FIG. 5 is a right side elevation view thereof; FIG. 6 is a top plan view thereof; and, FIG. 7 is a bottom plan view thereof. The dot-dash broken lines represent boundaries of the claimed design and form no part of the claimed design. The dash-dash broken lines depict portions of the gate latch that form no part of the claimed design.

(56) **References Cited**

U.S. PATENT DOCUMENTS

D394,796 S * 6/1998 Alford D8/331
7,065,922 B1 * 6/2006 De Kruijf E05B 65/0014
292/212
D528,899 S * 9/2006 Bell D8/331
7,926,539 B1 * 4/2011 Hurst E05B 51/023
160/104
8,136,302 B2 * 3/2012 Trujillo E06B 3/46
49/463
D712,233 S * 9/2014 Pittman D8/331
D721,568 S * 1/2015 Cantwell D8/331

1 Claim, 5 Drawing Sheets



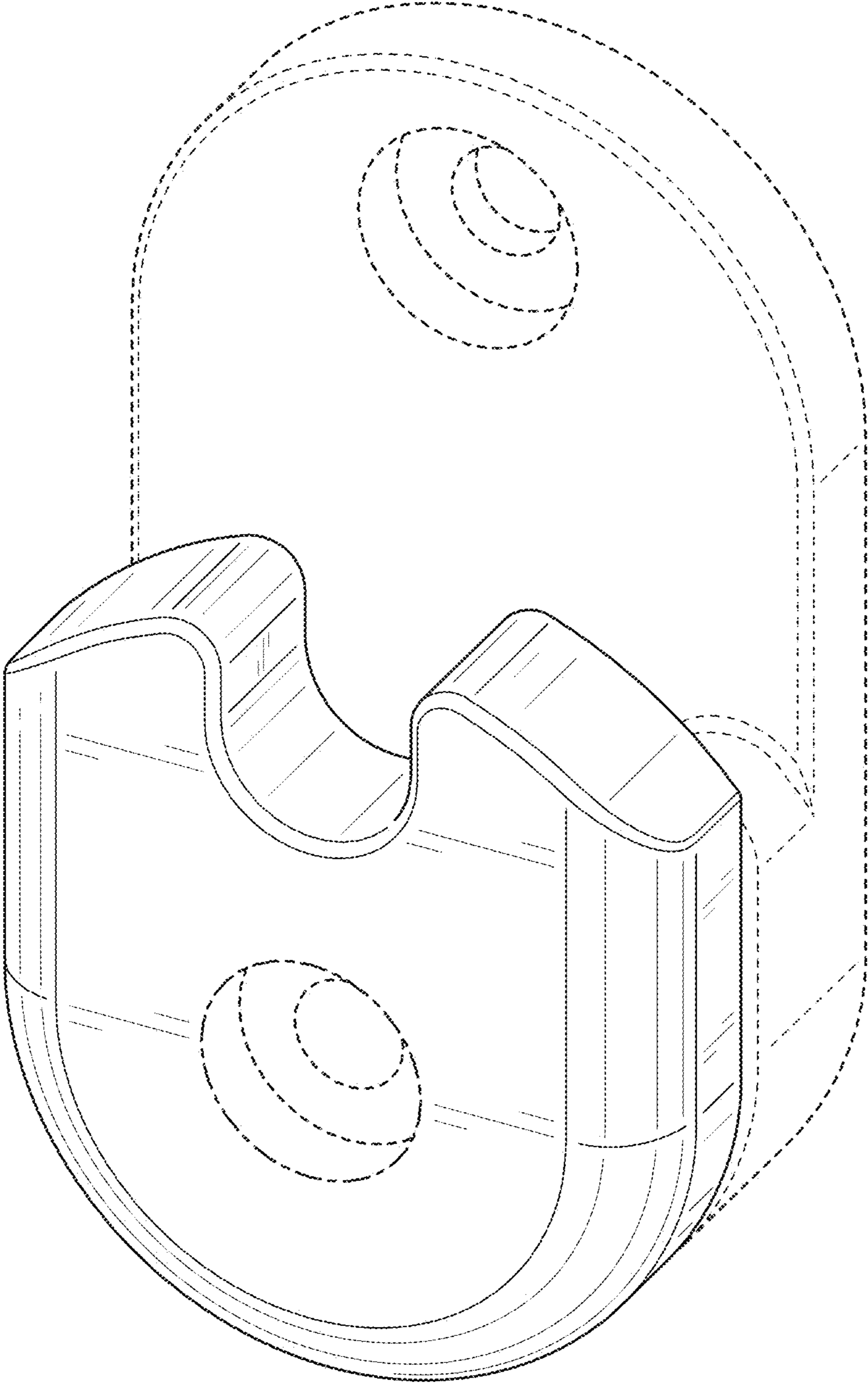


FIG. 1

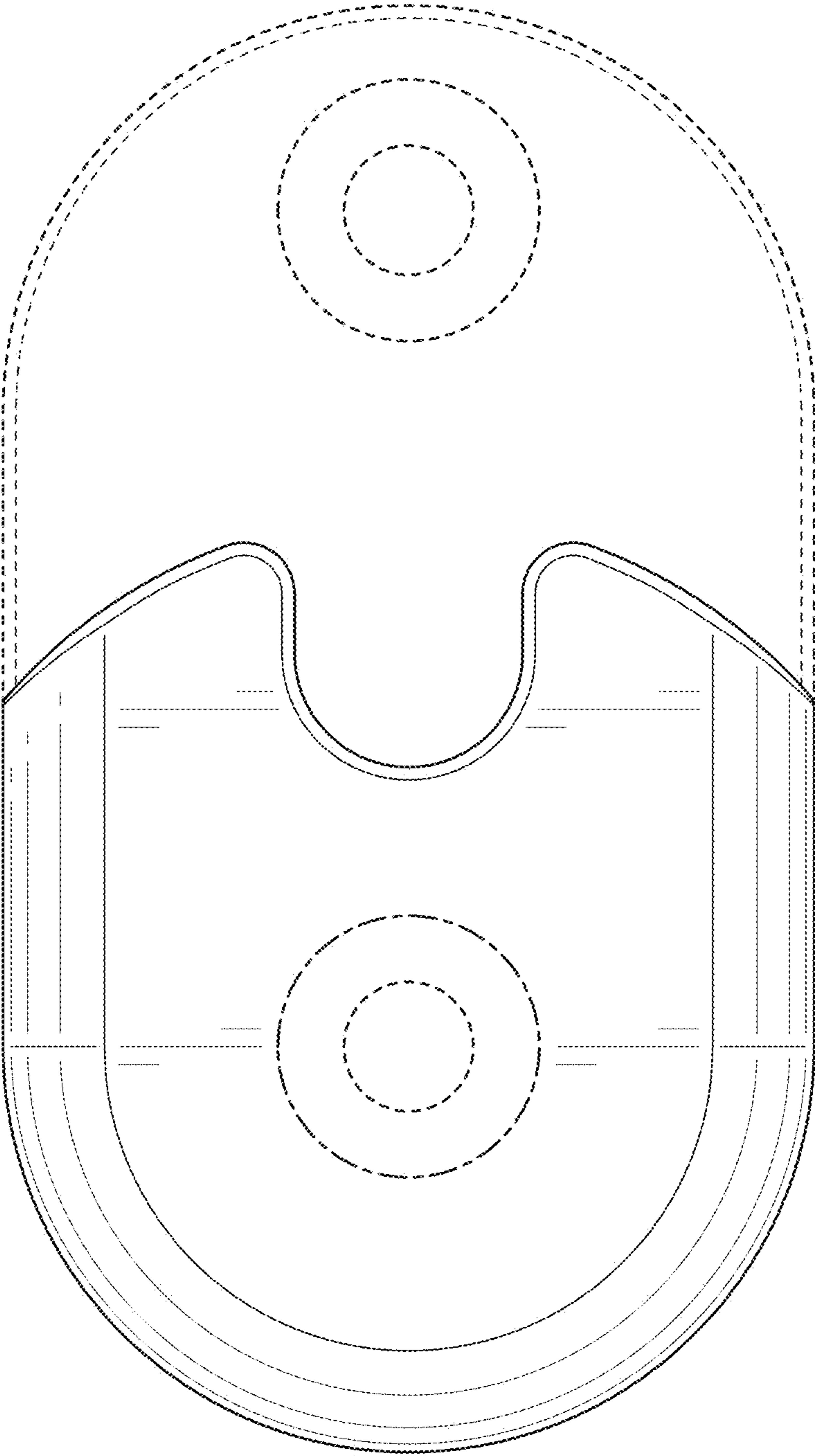


FIG. 2

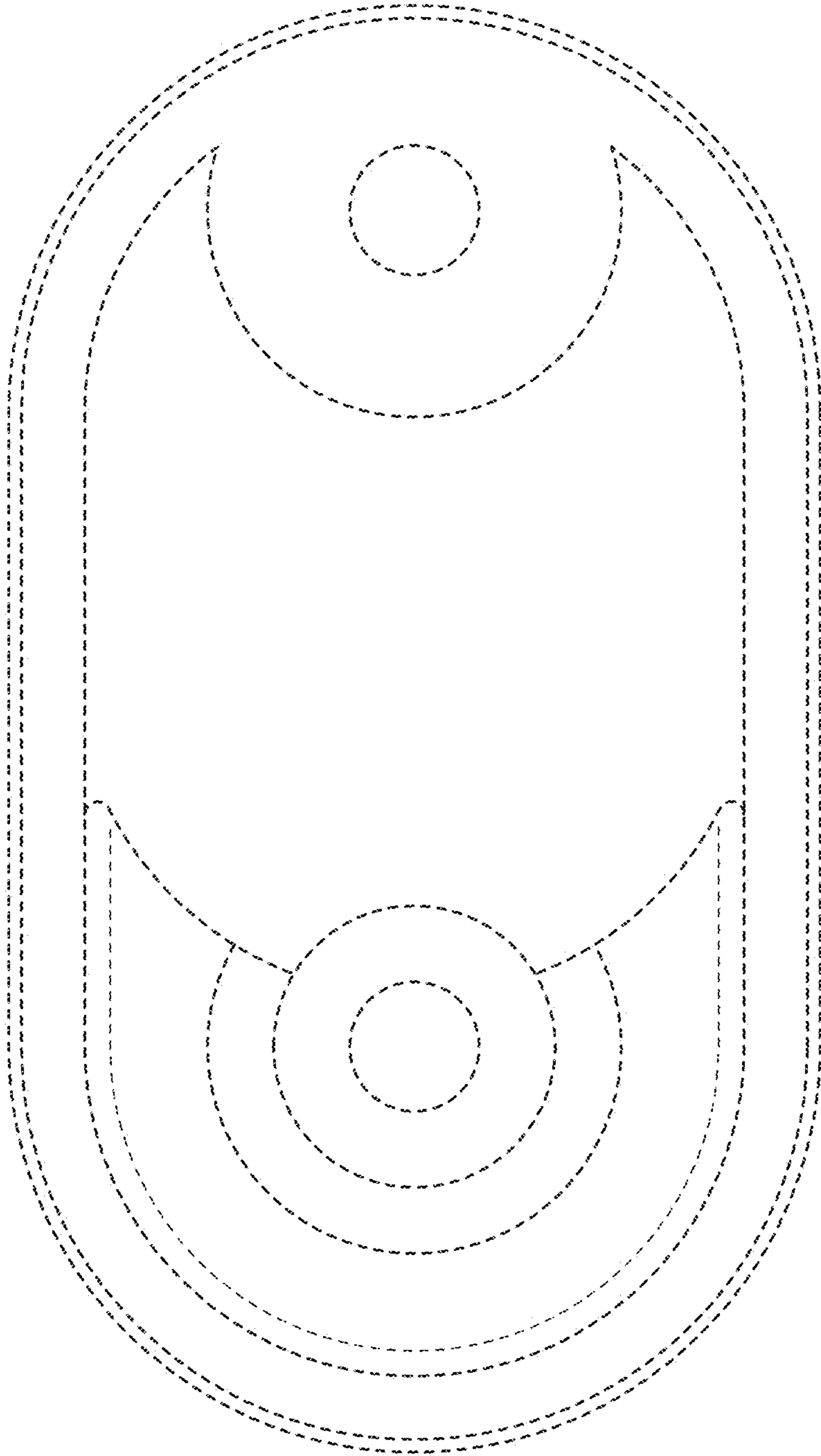


FIG. 3

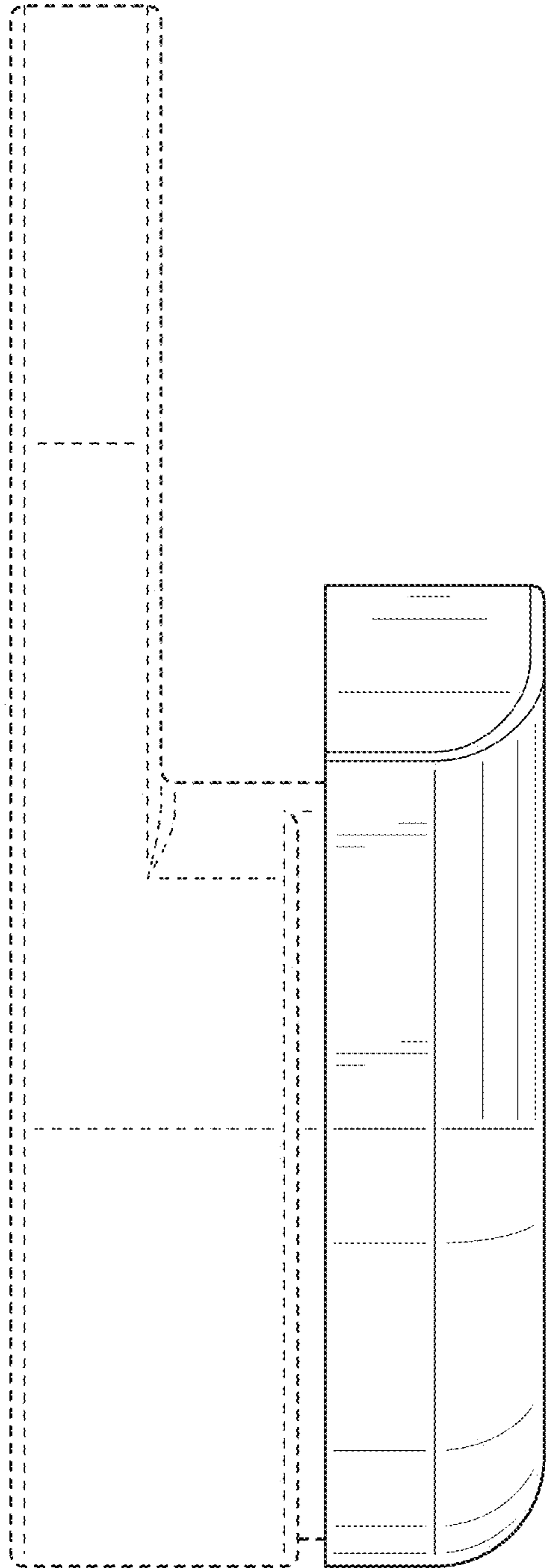


FIG. 4

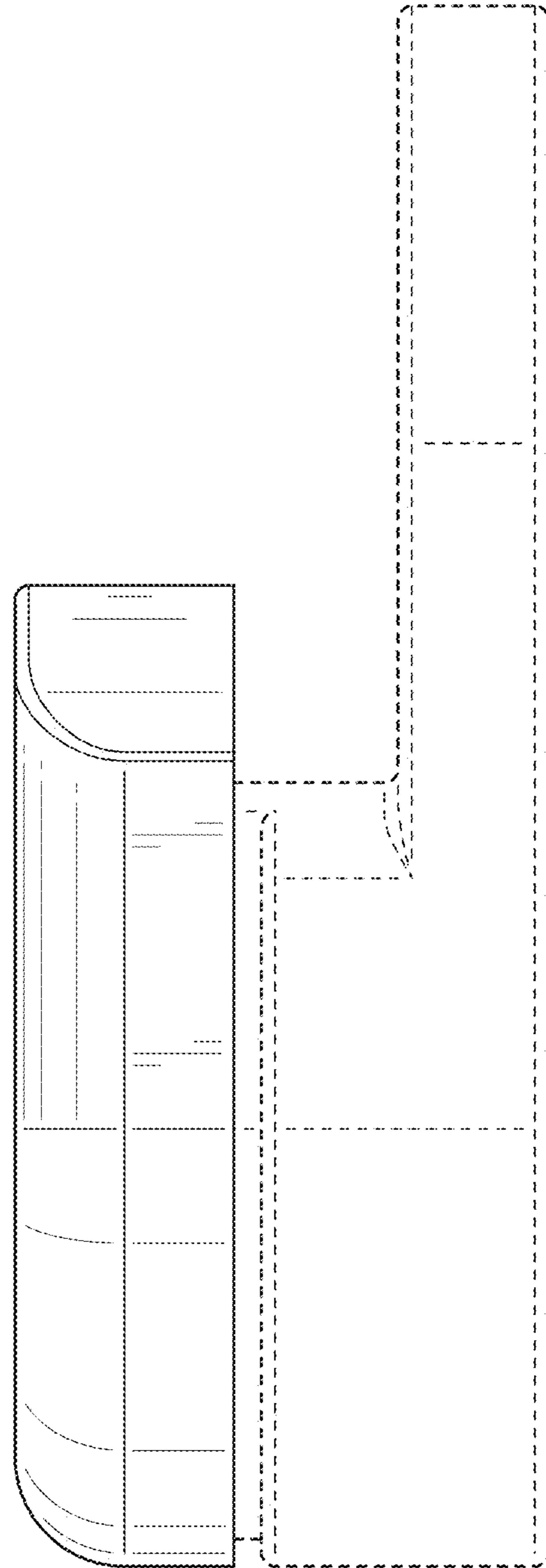


FIG. 5

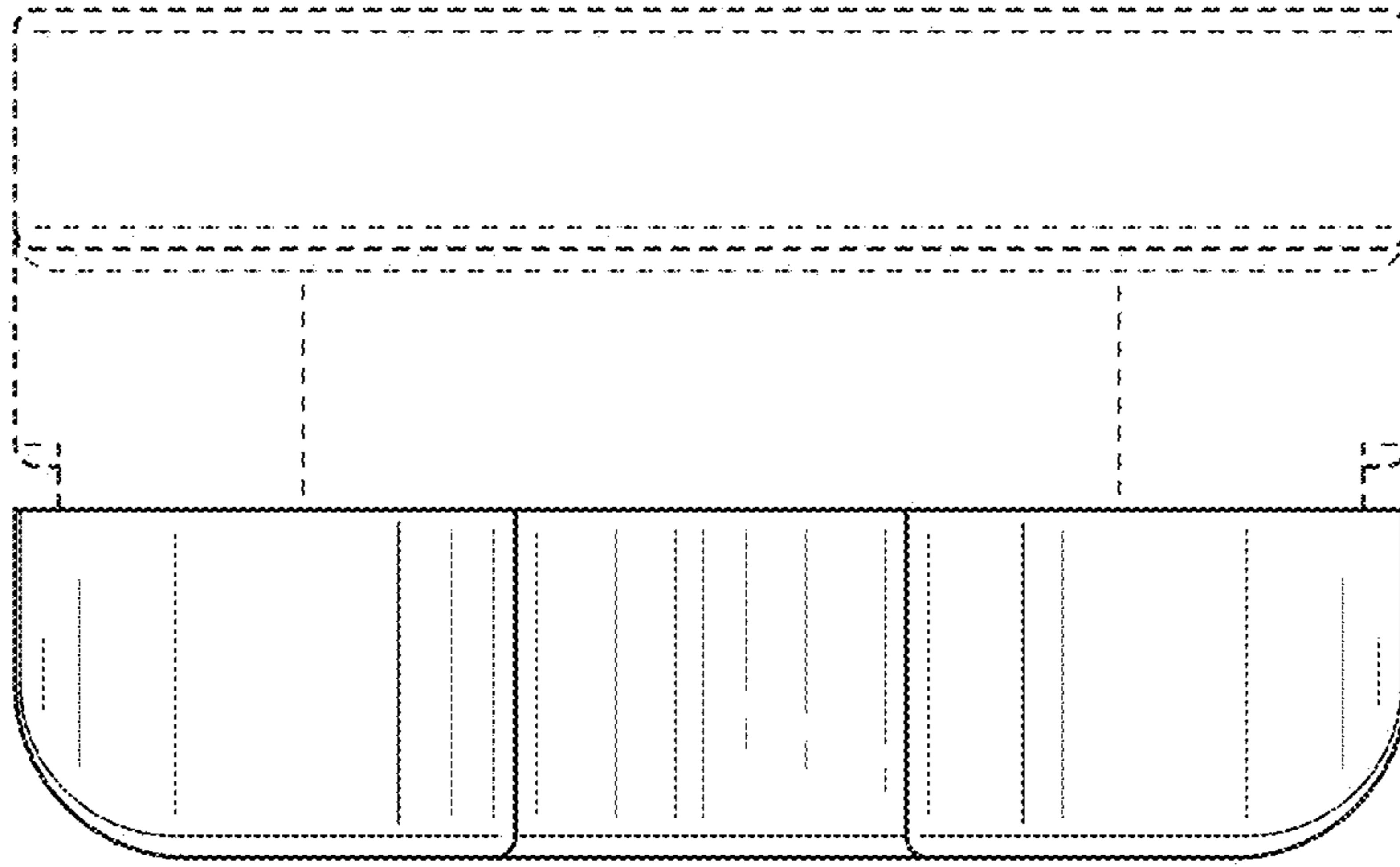


FIG. 6

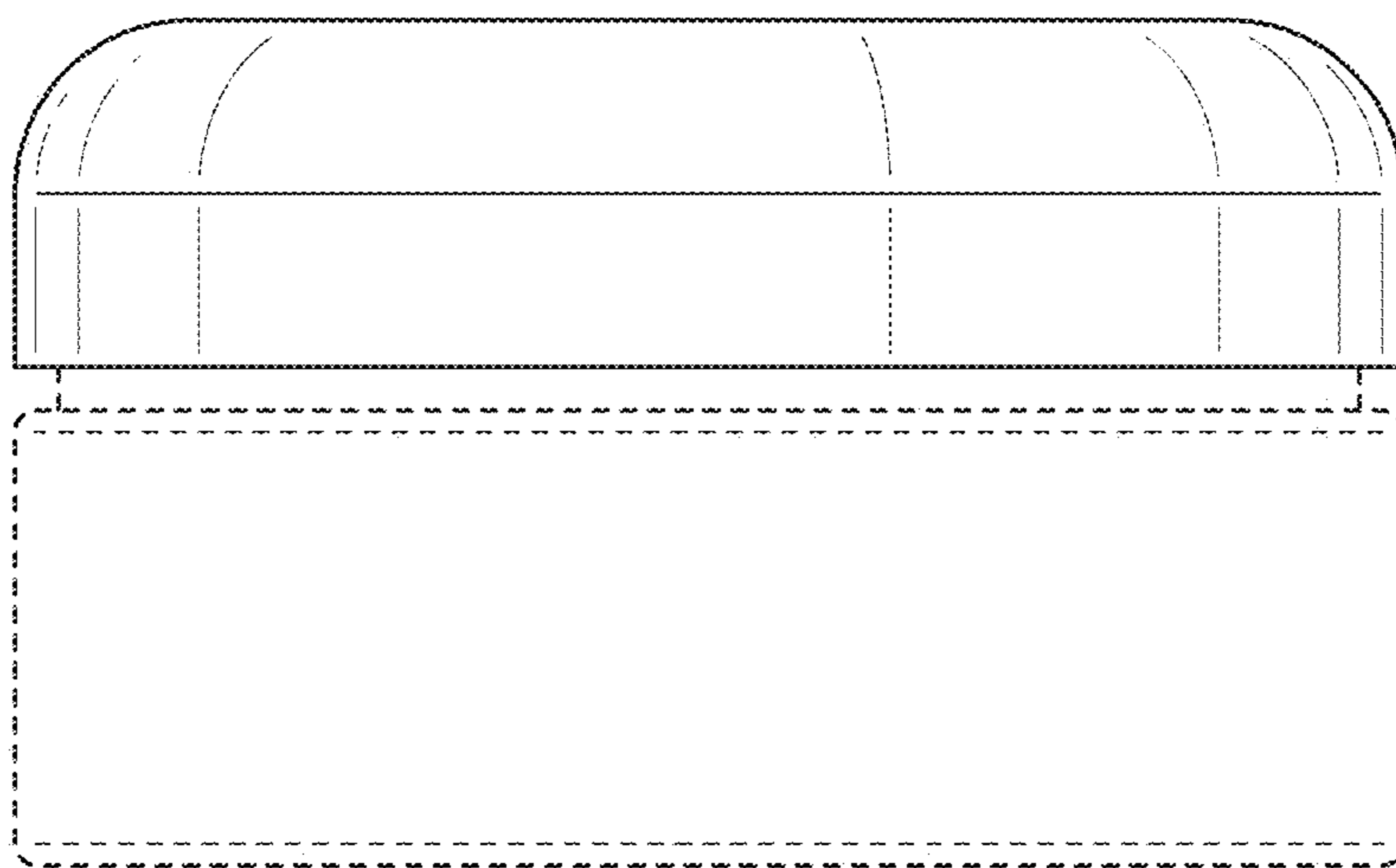


FIG. 7