



US00D933450S

(12) **United States Design Patent** (10) **Patent No.:** **US D933,450 S**  
**Jin** (45) **Date of Patent:** **\*\* Oct. 19, 2021**

(54) **TOILET LID SAFETY LOCK**  
(71) Applicant: **ZHEJIANG JIKE INDUSTRY & TRADE CO., LTD**, Yongkang (CN)  
(72) Inventor: **Zhong Jin**, Yongkang (CN)  
(73) Assignee: **ZHEJIANG JIKE INDUSTRY & TRADE CO., LTD**, Yongkang (CN)  
(\*\*) Term: **15 Years**

2004/0028449 A1\* 2/2004 Waguespack ..... B41J 29/54  
400/679  
2007/0061954 A1\* 3/2007 Watkins ..... A47K 13/242  
4/253  
2015/0048626 A1\* 2/2015 Hogan ..... E05B 13/106  
292/140

**FOREIGN PATENT DOCUMENTS**

CN 305330699 \* 6/2019  
CN 305764504 \* 11/2019

(Continued)

**OTHER PUBLICATIONS**

Erockbuy, Safety Toilet Locks, Bathroom Child Proof Toilet Seat Lock, Date first available Jan. 12, 2019, [online]retrieved Oct. 29, 2020, available from internet, www.amazon.com (Year: 2019).\*

(Continued)

*Primary Examiner* — Keli L Hill  
*Assistant Examiner* — Sara S Sahneh  
(74) *Attorney, Agent, or Firm* — Yong Chen

(21) Appl. No.: **29/695,501**  
(22) Filed: **Jun. 19, 2019**  
(51) **LOC (13) Cl.** ..... **08-07**  
(52) **U.S. Cl.**  
USPC ..... **D8/331; D8/330**  
(58) **Field of Classification Search**  
USPC ..... D8/330-334, 336-350; 292/341, 341.1,  
292/340, 344, 343, 18  
CPC ..... B25H 3/02; B25H 3/00; Y10S 312/902;  
A47G 25/08; A47G 25/06; H01F 7/0242;  
H01F 7/0282; H01F 7/04; A47K 13/242;  
Y10T 70/5544  
See application file for complete search history.

(57) **CLAIM**

The ornamental design for a toilet lid safety lock, as shown and described.

**DESCRIPTION**

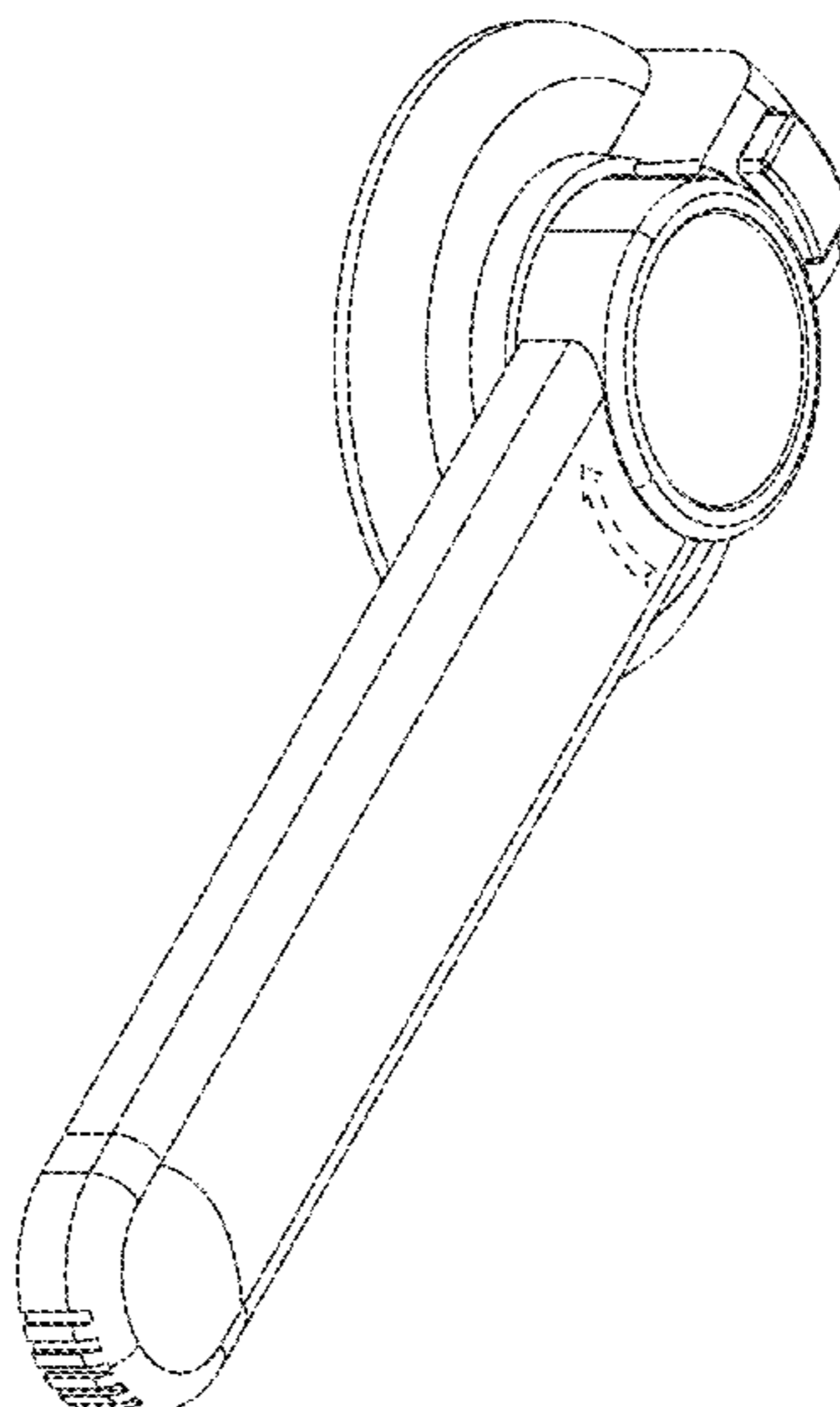
FIG. 1 is a front view of a toilet lid safety lock of the present invention.  
FIG. 2 is a rear view thereof.  
FIG. 3 is a left view thereof.  
FIG. 4 is a right view thereof.  
FIG. 5 is a top view thereof.  
FIG. 6 is a bottom view thereof; and,  
FIG. 7 is a perspective view thereof.  
The broken lines shown are included for the purpose of illustrating portions of the toilet lid safety lock that forms no part of the claim.

(56) **References Cited**

**U.S. PATENT DOCUMENTS**

5,669,081 A \* 9/1997 Scherer ..... A47K 13/24  
4/253  
D391,143 S \* 2/1998 Jancsek ..... D8/306  
6,314,589 B1 \* 11/2001 Schilt ..... A47K 13/242  
4/253  
D611,798 S \* 3/2010 Le ..... D8/331  
D709,351 S \* 7/2014 Le ..... D8/331  
D745,360 S \* 12/2015 Sun ..... D8/308  
D789,765 S \* 6/2017 Wang ..... D8/308  
D793,206 S \* 8/2017 Shenkerman ..... D8/336  
D793,838 S \* 8/2017 Le ..... D8/302  
D794,411 S \* 8/2017 Le ..... D8/302

**1 Claim, 7 Drawing Sheets**



(56)

**References Cited**

FOREIGN PATENT DOCUMENTS

CN	306076753	*	12/2019	
CN	210714125	*	6/2020	..... E05B 3/00
CN	306116534	*	6/2020	
JP	2005-2685	*	1/2005	..... E05C 3/04
KR	2017-024366	*	2/2017	..... E05B 17/10

OTHER PUBLICATIONS

McKain, Toilet Locks Child Safety—Bathroom Baby Proof Toilet Lid Lock, Date first available Feb. 16, 2019, [online]retrieved Oct. 29, 2020, available from internet, [www.amazon.com](http://www.amazon.com) (Year: 2019).\*

JIKE, Saftey toilet lid, [online]retrieved Oct. 30, 2020, available from internet, <http://www.jikebaby.com/product-detail-234556.html> (Year: 2020).\*

\* cited by examiner

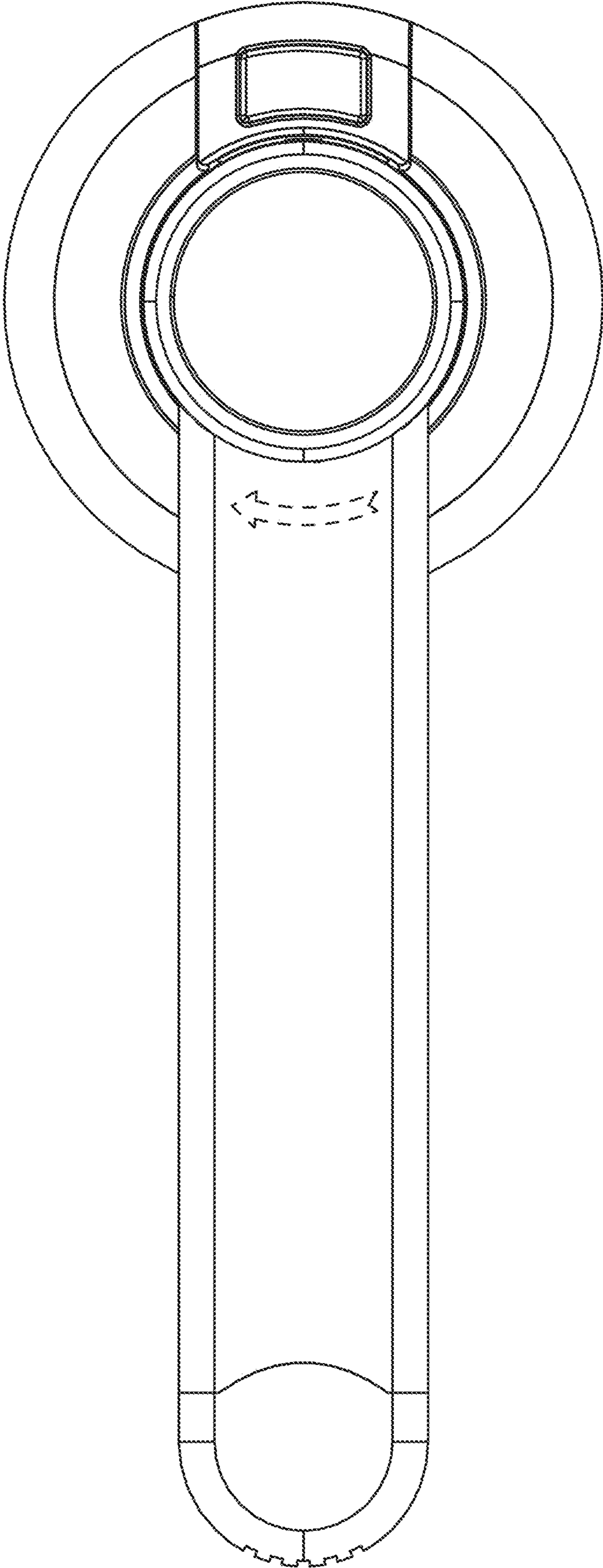


FIG. 1

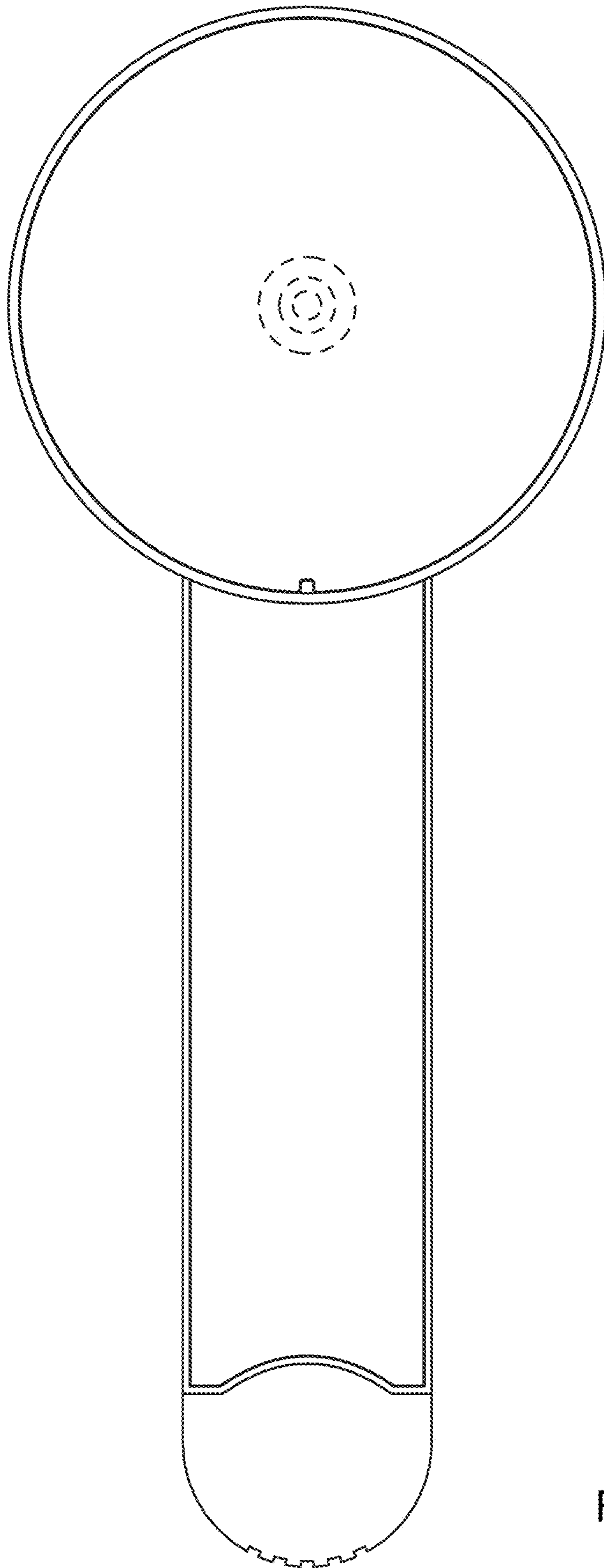


FIG. 2

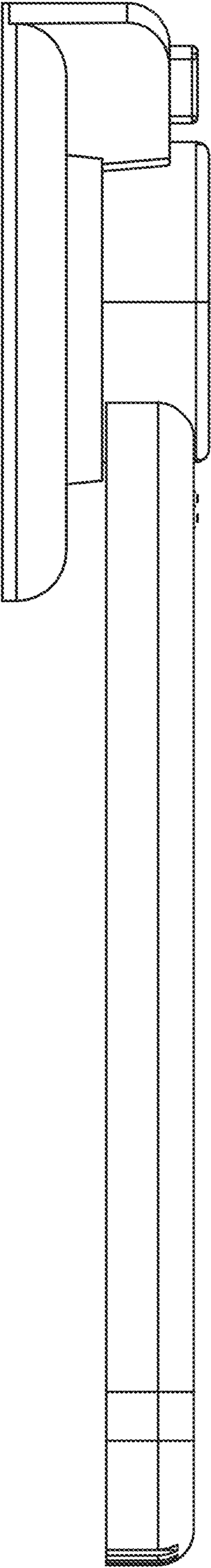


FIG. 3

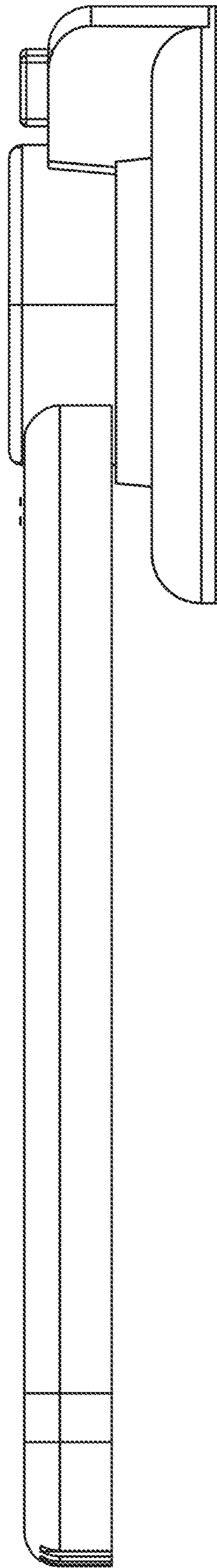


FIG. 4

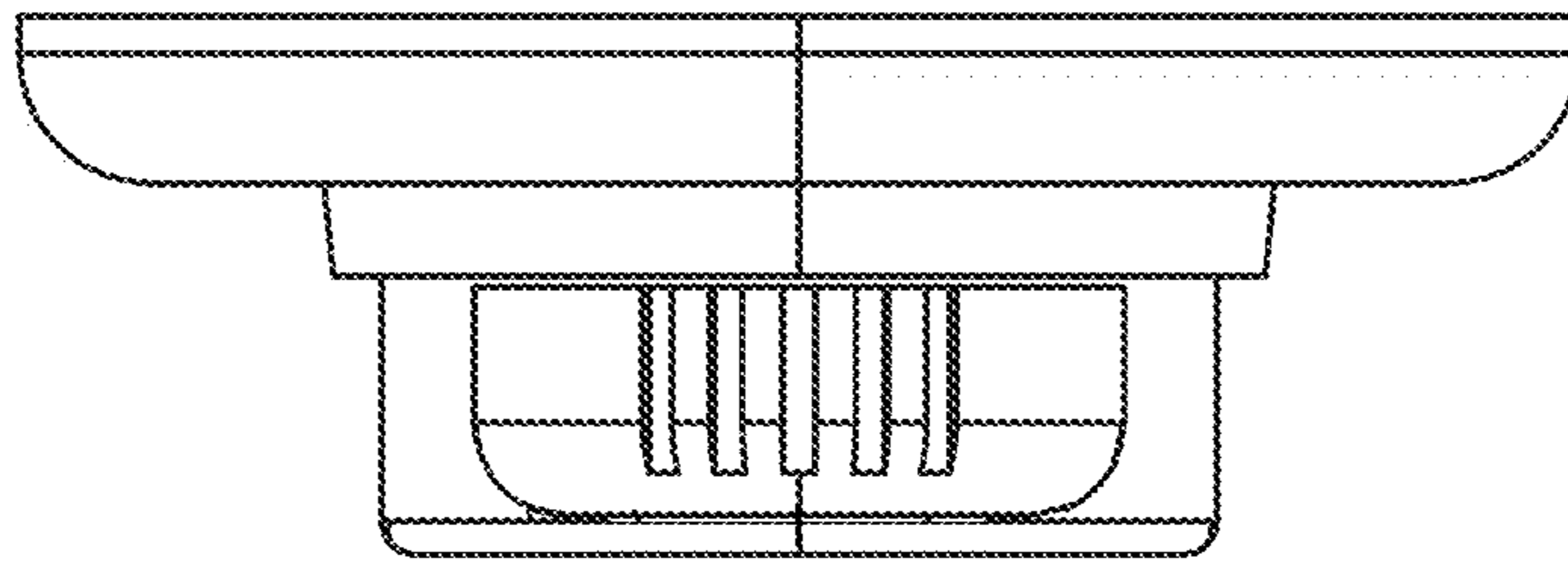


FIG. 5

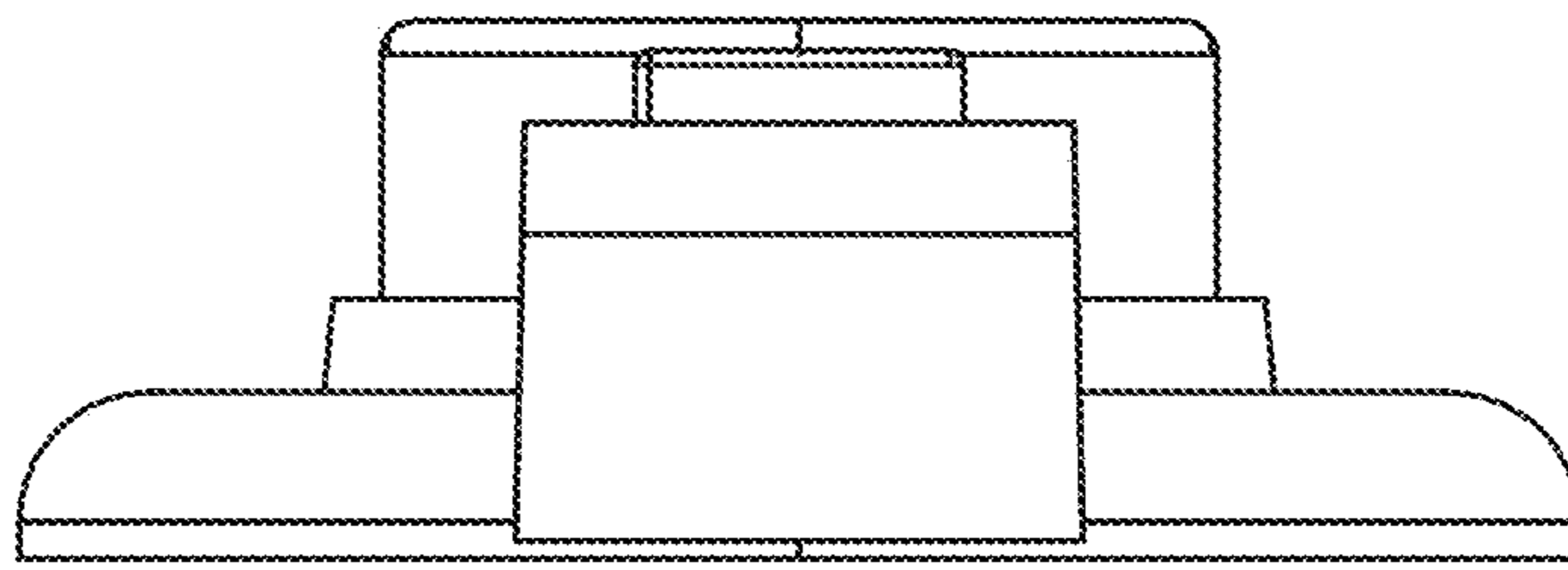


FIG. 6



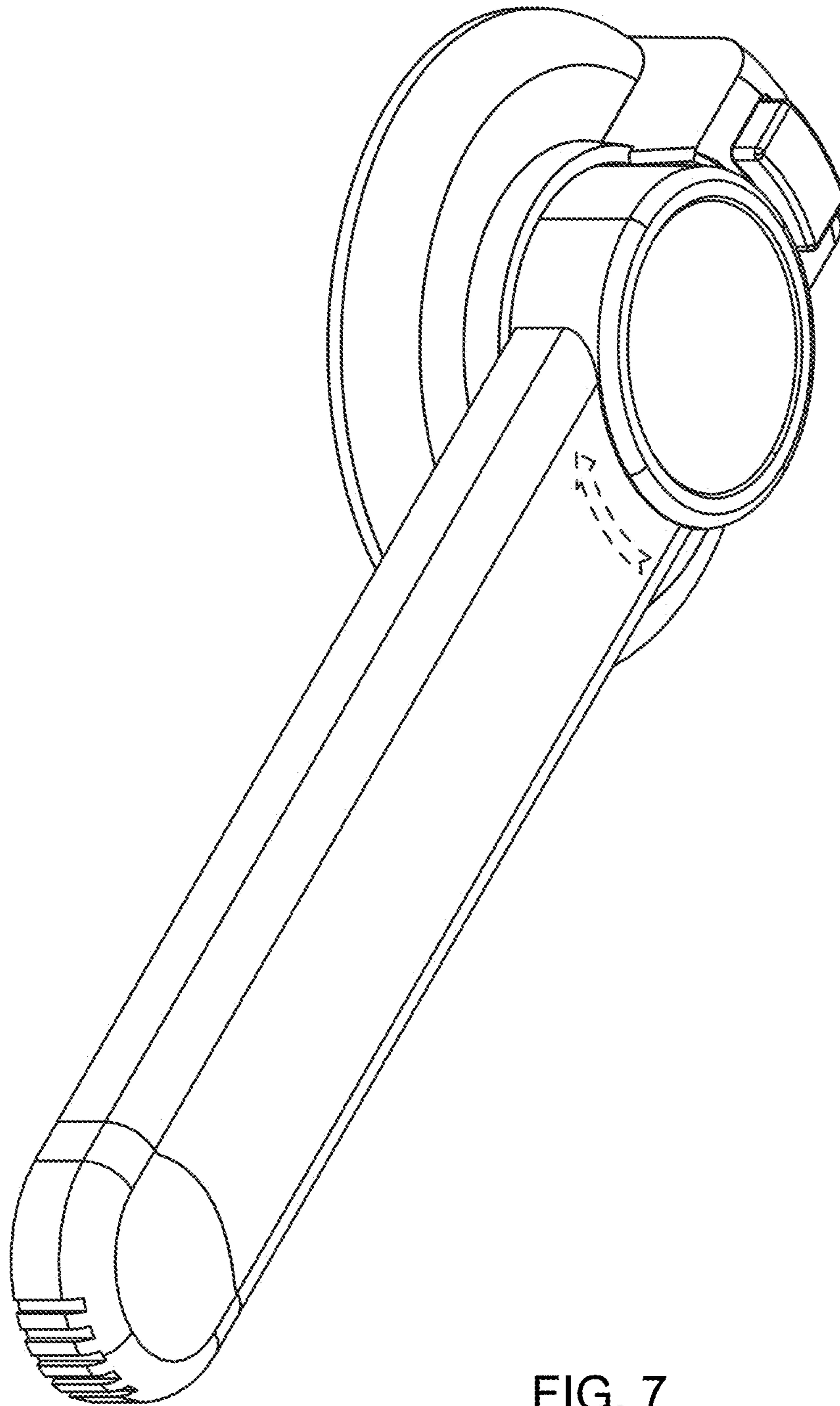


FIG. 7