



US00D933448S

(12) **United States Design Patent** (10) **Patent No.:** **US D933,448 S**
Spadavecchia (45) **Date of Patent:** **** Oct. 19, 2021**

(54) **HANDLE**
(71) Applicant: **Daniel Kelly**, Medford, NJ (US)
(72) Inventor: **John A. Spadavecchia**, Lynchburg, VA (US)
(73) Assignee: **Daniel Kelly**, Medford, NJ (US)
(**) Term: **15 Years**
(21) Appl. No.: **29/723,816**
(22) Filed: **Feb. 11, 2020**
(51) **LOC (13) Cl.** **08-06**
(52) **U.S. Cl.**
USPC **D8/306**; D8/303; D8/301; D8/307
(58) **Field of Classification Search**
USPC D8/107, 300, 301, 303, 306, 307;
D7/394, 533; D9/434, 455; D3/328
CPC Y10T 16/469; Y10T 16/476; Y10T
74/20828; Y10T 74/20822; Y10T 16/466;
Y10T 16/4713; Y10T 16/4707; Y10T
16/44; Y10T 74/2078; Y10T 74/20732;
Y10T 74/20864; Y10T 16/4559; Y10T
74/2028; Y10T 292/57; Y10T 16/4576;
Y10T 408/96; Y10T 74/20612; Y10T
407/1825; Y10T 74/20642; Y10T 408/65;
Y10T 70/5872; Y10T 74/2042; Y10T
74/20396; Y10T 29/53943; Y10T
403/1649; B25G 1/102; B25G 1/10;
B25G 1/105; B25G 3/00; B25G 1/085
See application file for complete search history.

(56) **References Cited**
U.S. PATENT DOCUMENTS
D185,641 S * 7/1959 Kotkins D8/306
D290,935 S * 7/1987 Williams D8/315
D314,108 S * 1/1991 Chap D6/523

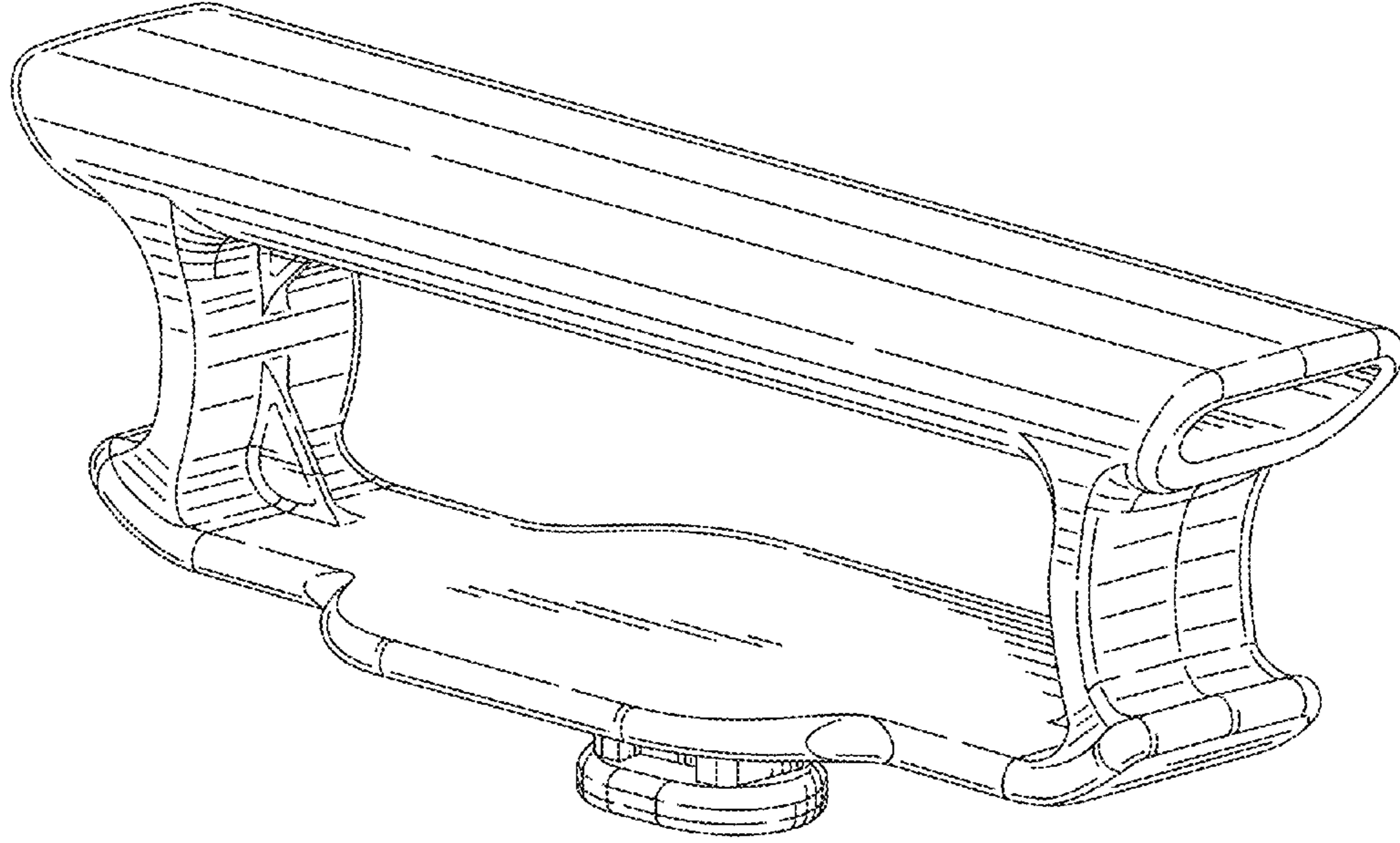
D326,613 S * 6/1992 Babcock 294/137
D328,849 S * 8/1992 Cornick D6/306
D329,369 S * 9/1992 Martin D8/302
5,813,805 A * 9/1998 Kopras B25F 5/003
16/422
D405,690 S * 2/1999 Takahashi D9/434
5,988,418 A * 11/1999 Maeshima B65D 23/106
215/396
7,600,655 B2 * 10/2009 Agrawal B29C 65/58
220/759
D617,194 S * 6/2010 Jones D9/455
D808,801 S * 1/2018 Cooper D9/434
D853,820 S * 7/2019 Garrido D8/301
2019/0055061 A1 * 2/2019 Hughes B65D 23/104
2020/0087033 A1 * 3/2020 Navarro B65D 25/2832

* cited by examiner
Primary Examiner — Lauren R Calve
(74) *Attorney, Agent, or Firm* — Massina Pat & TM Law PLLC

(57) **CLAIM**
The ornamental design for a handle, as shown and described.

DESCRIPTION
FIG. 1 is an isometric view of a handle showing my new design;
FIG. 2 is a front elevation view thereof;
FIG. 3 is a rear elevation view thereof;
FIG. 4 is a top plan view thereof;
FIG. 5 is a bottom plan view thereof;
FIG. 6 is a left elevation view thereof;
FIG. 7 is a right elevation view thereof; and,
FIG. 8 is an isometric view thereof positioned relative to an exemplary bottle.
The broken lines illustrate portions of an exemplary bottle which is environmental and forms no part of the claimed design.

1 Claim, 5 Drawing Sheets



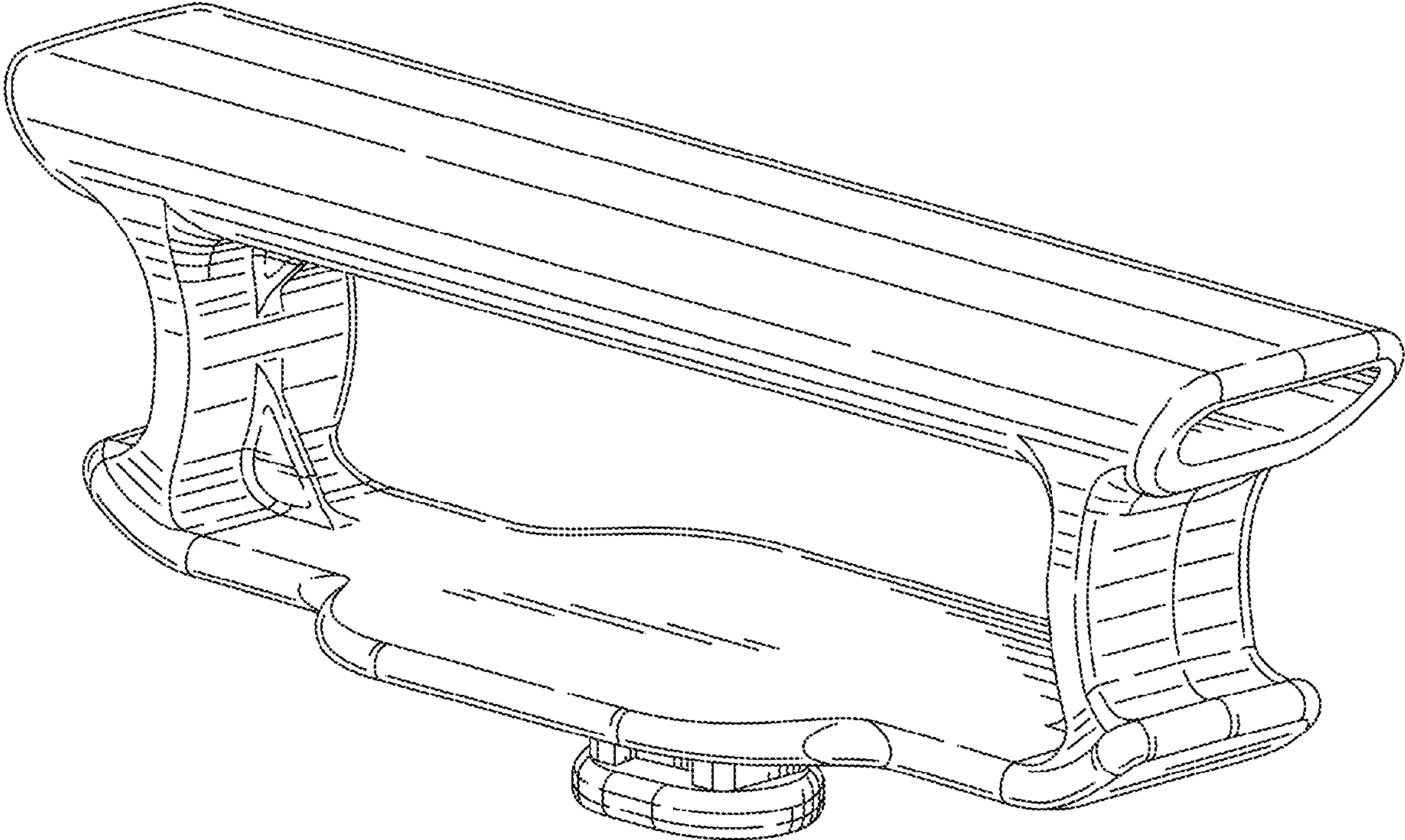


FIG. 1

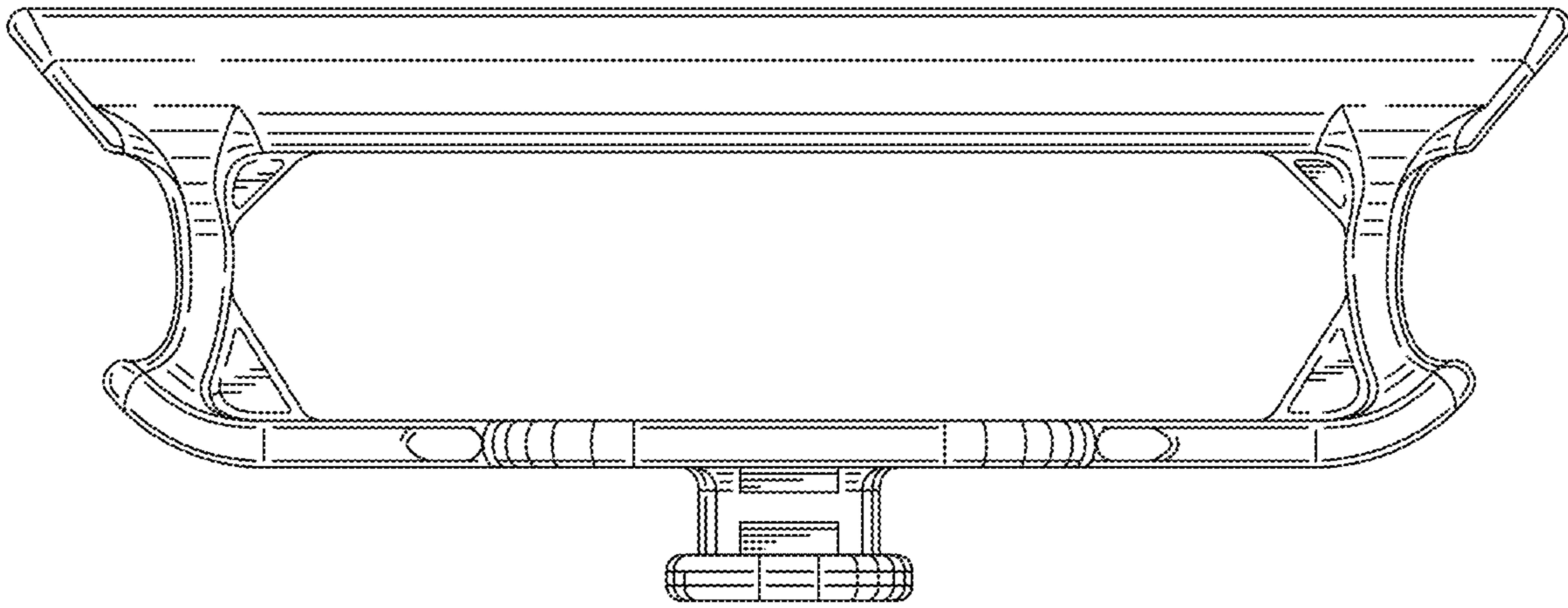


FIG. 2

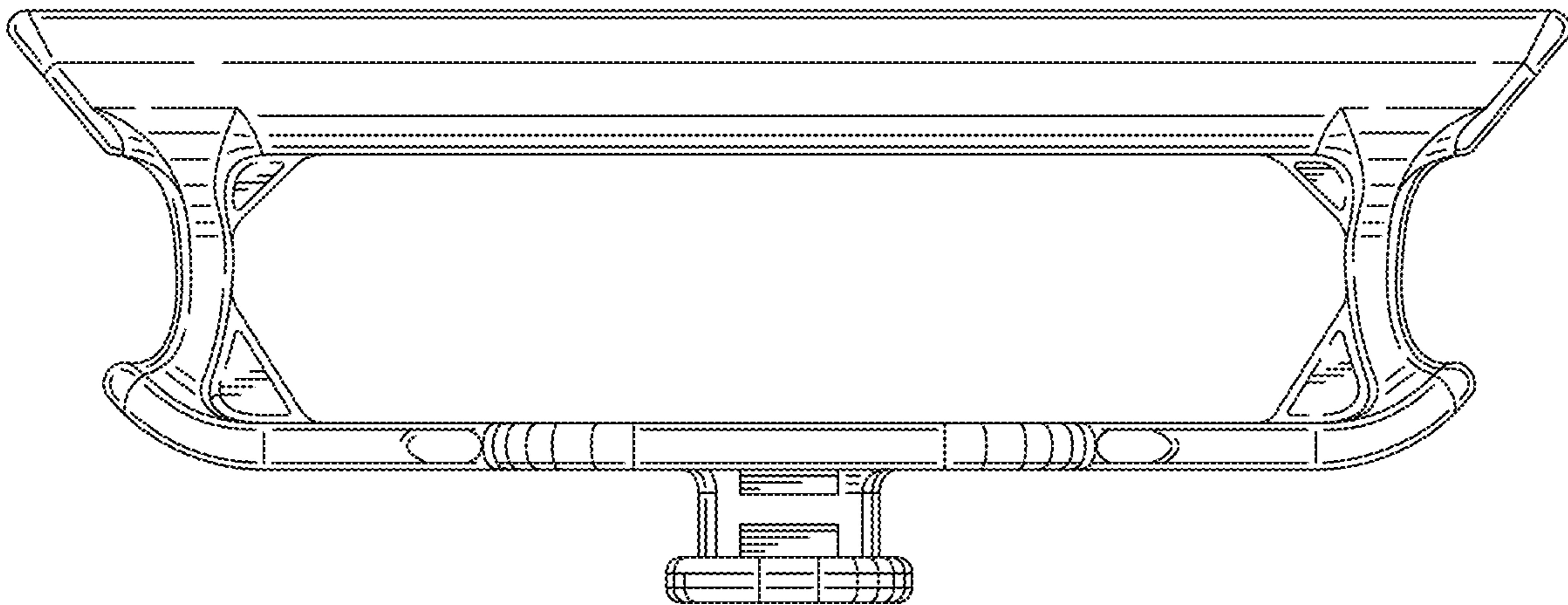


FIG. 3

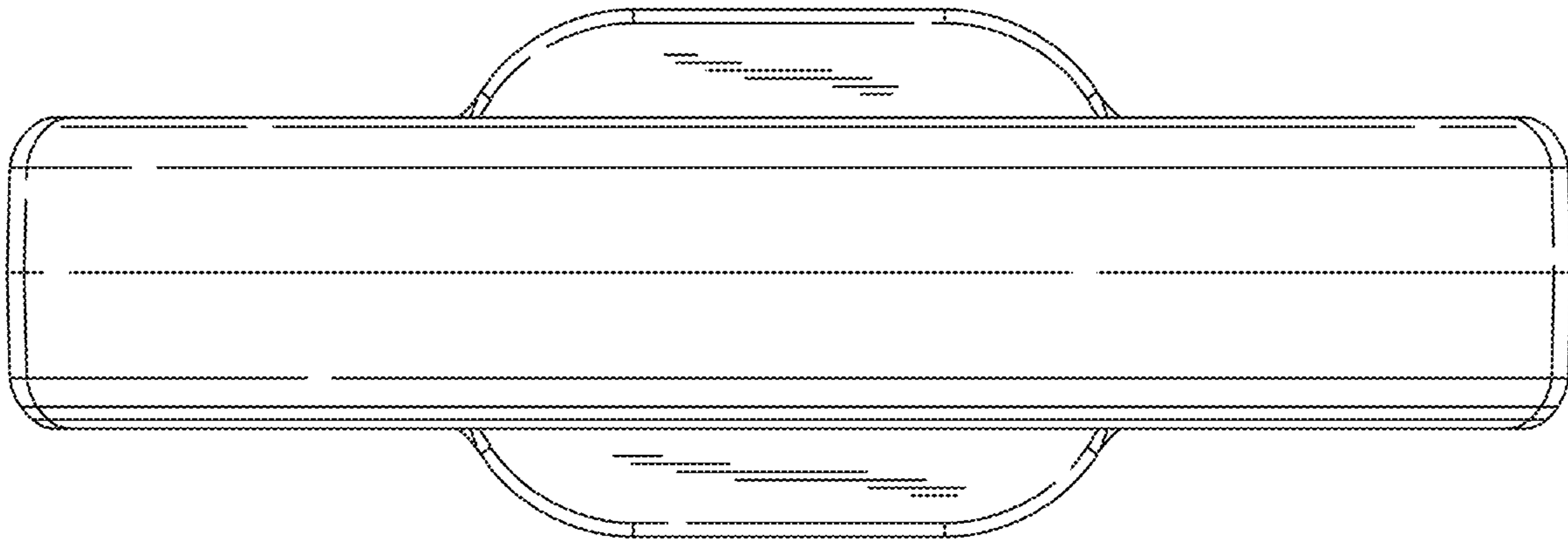


FIG. 4

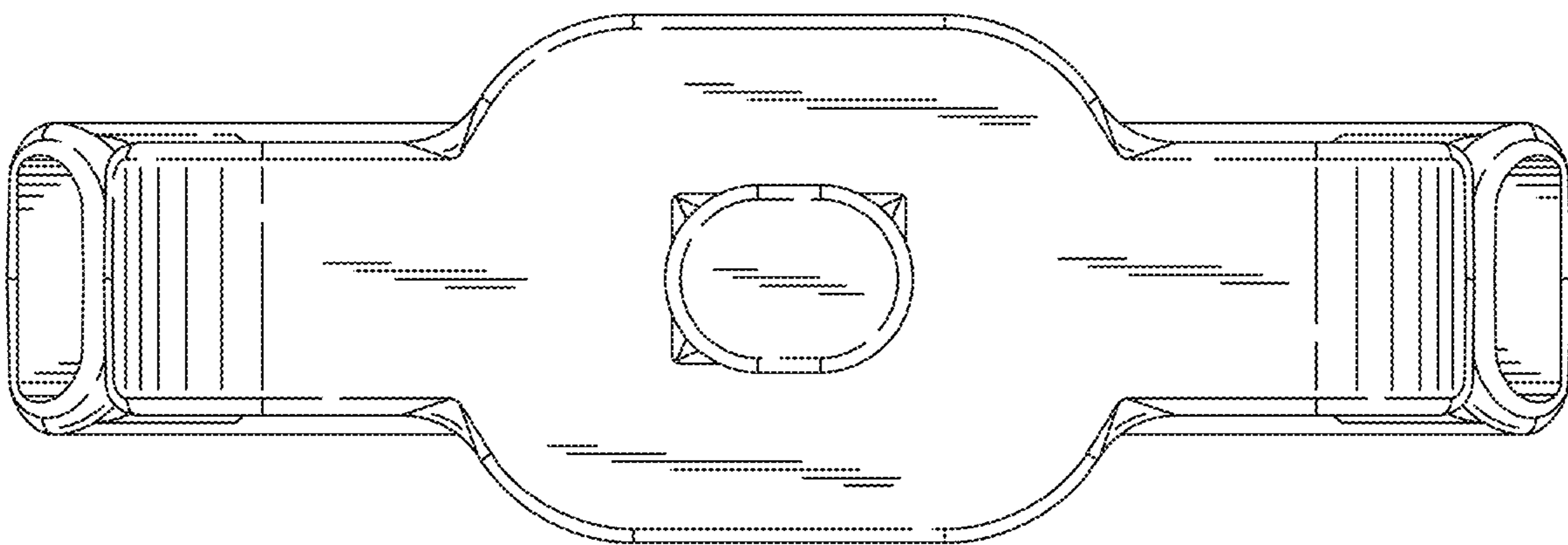


FIG. 5

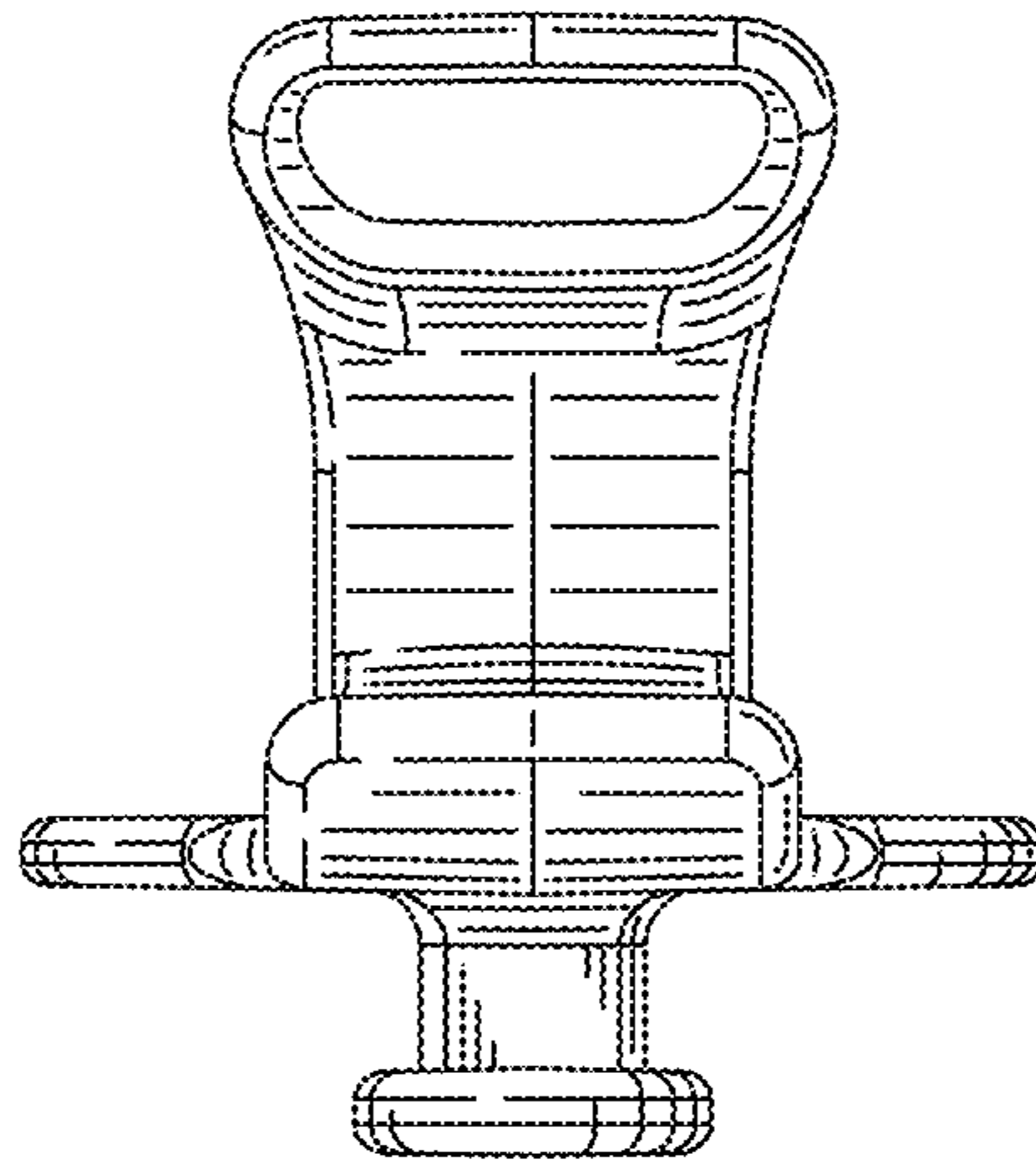


FIG. 6

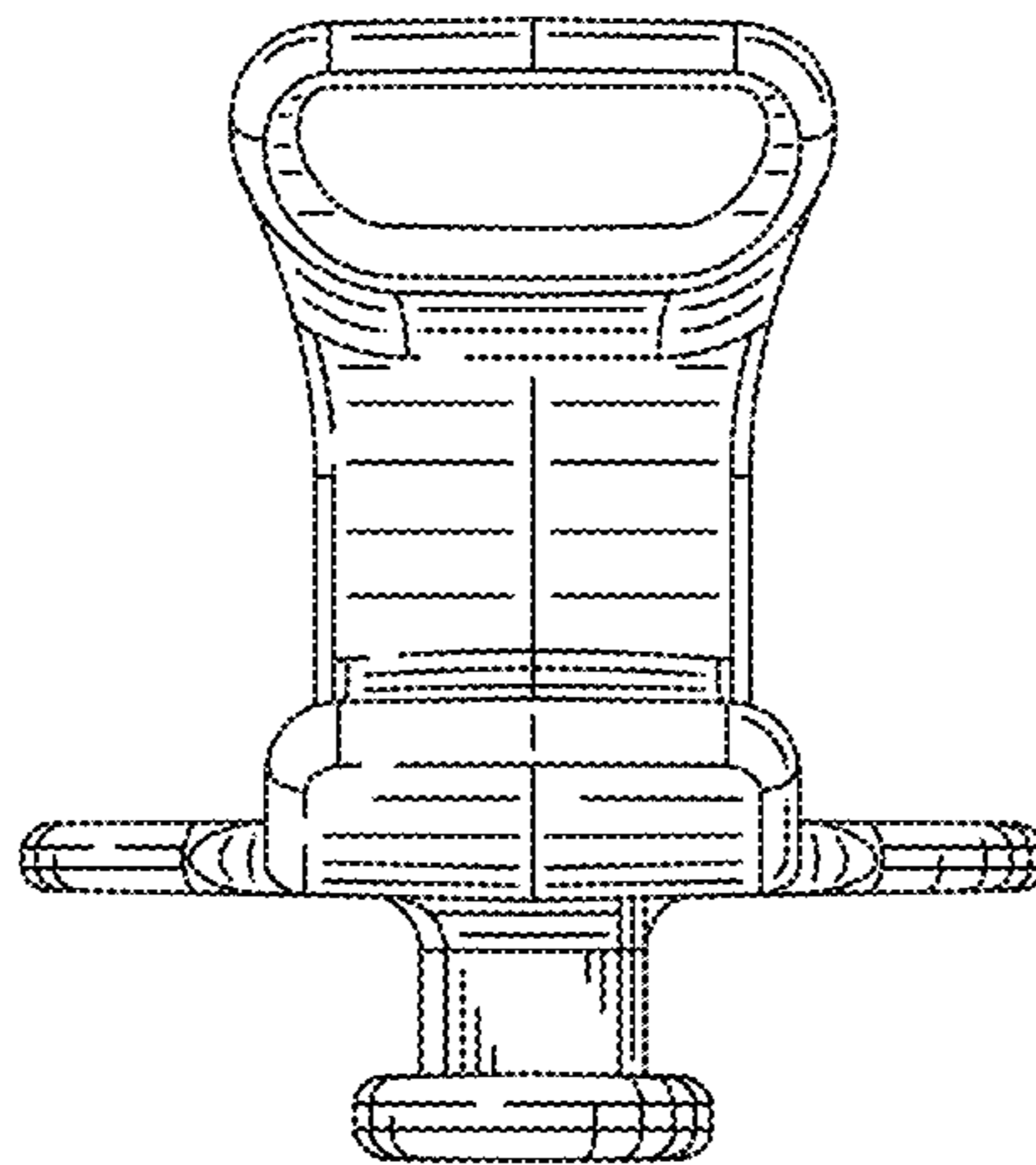


FIG. 7

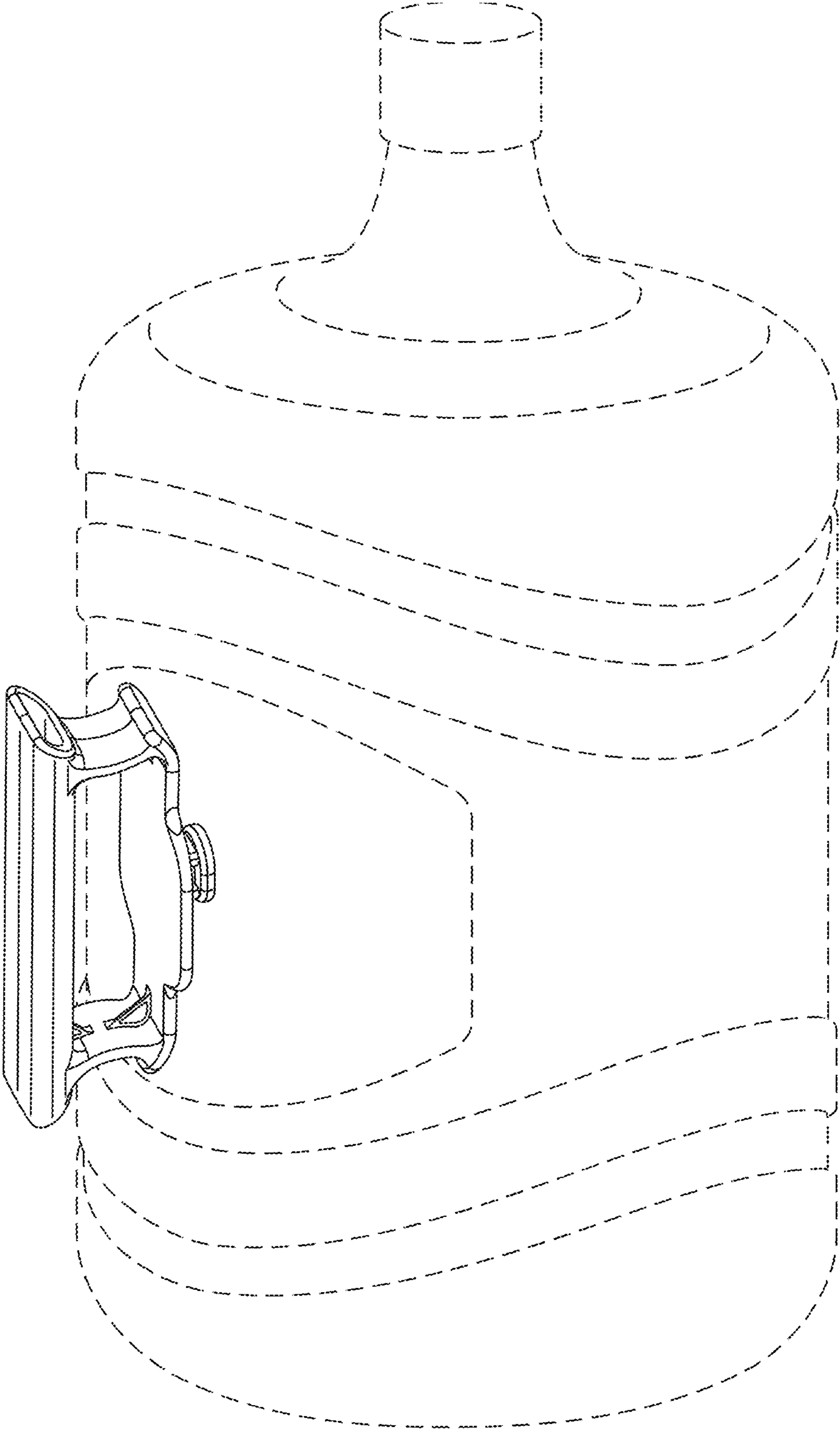


FIG. 8