



US00D933445S

(12) **United States Design Patent**  
**Berman**

(10) **Patent No.:** **US D933,445 S**

(45) **Date of Patent:** **\*\* Oct. 19, 2021**

- (54) **CLIP**
- (71) Applicant: **True Brands Limited**, Poole (GB)
- (72) Inventor: **Lee Berman**, Bournemouth (GB)
- (73) Assignee: **True Brands Limited**, Ringwood (GB)
- (\*\*) Term: **15 Years**
- (21) Appl. No.: **29/728,100**
- (22) Filed: **Mar. 16, 2020**

|              |    |   |         |             |       |            |
|--------------|----|---|---------|-------------|-------|------------|
| D538,138     | S  | * | 3/2007  | Knight      | ..... | D8/356     |
| 7,676,931    | B2 | * | 3/2010  | Knight      | ..... | B26B 11/00 |
|              |    |   |         |             |       | 30/158     |
| D626,810     | S  | * | 11/2010 | Steineckert | ..... | B25F 1/04  |
|              |    |   |         |             |       | D8/55      |
| D628,463     | S  | * | 12/2010 | Kelleghan   | ..... | D8/356     |
| 8,528,451    | B2 | * | 9/2013  | Steineckert | ..... | B26B 11/00 |
|              |    |   |         |             |       | 81/427.5   |
| D701,740     | S  | * | 4/2014  | Lee         | ..... | D8/99      |
| 9,339,940    | B2 | * | 5/2016  | Pelton      | ..... | B26B 29/02 |
| 9,393,682    | B2 | * | 7/2016  | Green       | ..... | B26B 1/04  |
| 2006/0277762 | A1 | * | 12/2006 | Knight      | ..... | B26B 1/044 |
|              |    |   |         |             |       | 30/153     |

- (30) **Foreign Application Priority Data**
- Dec. 13, 2019 (EP) ..... 007338264-0001
- (51) **LOC (13) Cl.** ..... **08-03**
- (52) **U.S. Cl.**
- USPC ..... **D8/99**
- (58) **Field of Classification Search**
- USPC ..... D8/14, 98, 99, 100, 105, 356; D22/118
- CPC .... B26B 1/00; B26B 1/02; B26B 1/04; B26B
- 5/00; B26B 5/006; B26B 1/10; B26B
- 1/046
- See application file for complete search history.

\* cited by examiner

*Primary Examiner* — Philip S Hyder  
(74) *Attorney, Agent, or Firm* — Thorpe North & Western, LLP

(57) **CLAIM**

The ornamental design for the clip, as shown and described herein.

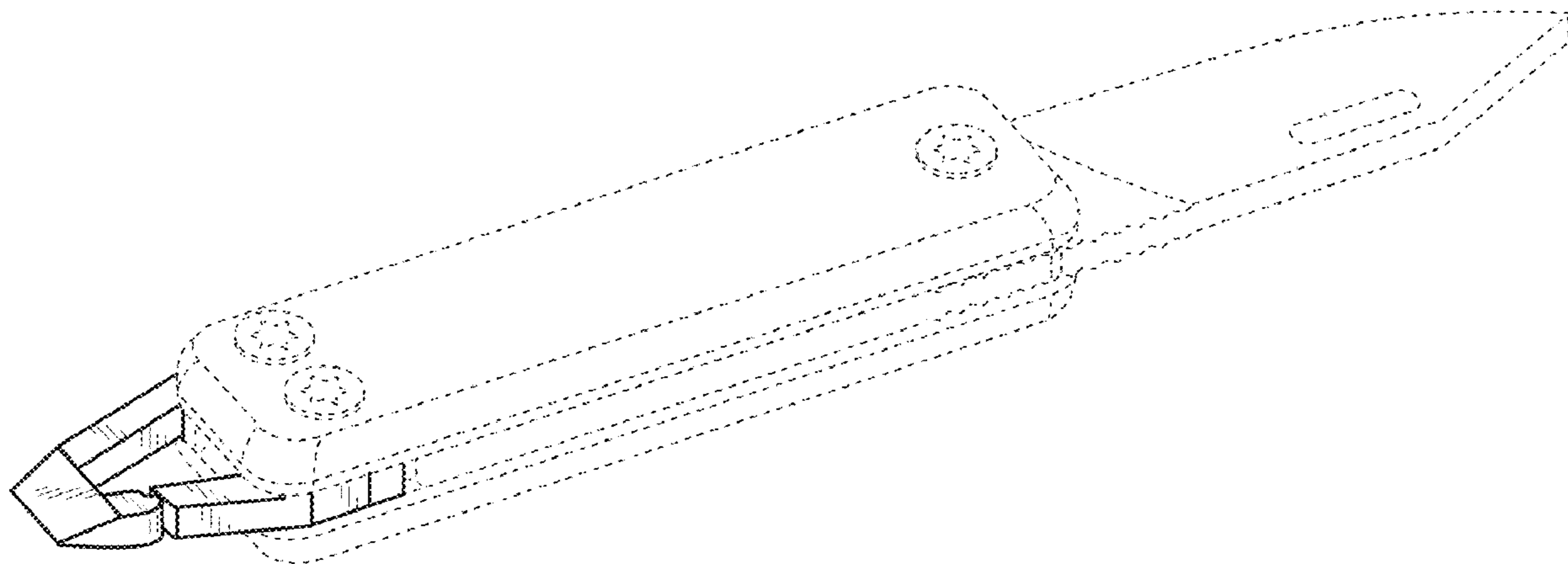
**DESCRIPTION**

FIG. 1 is a side view of a clip, in accordance with the new design;  
 FIG. 2 is a perspective view, showing the opposite side;  
 FIG. 3 is a side view of a second embodiment of the clip;  
 FIG. 4 is a side view of the clip of FIG. 3, wherein the clip is open; and,  
 FIG. 5 is a perspective view of the clip of FIG. 3, showing the opposite side.

The broken line showing of the folding knife is provided for purposes of environment and forms no part of the claimed design.

- (56) **References Cited**
- U.S. PATENT DOCUMENTS
- 5,450,670 A \* 9/1995 Sakai ..... B26B 11/00
- 224/232
- 6,594,906 B1 \* 7/2003 Sakai ..... B26B 1/046
- 30/155
- D529,789 S \* 10/2006 Klecker ..... D8/356

**1 Claim, 2 Drawing Sheets**



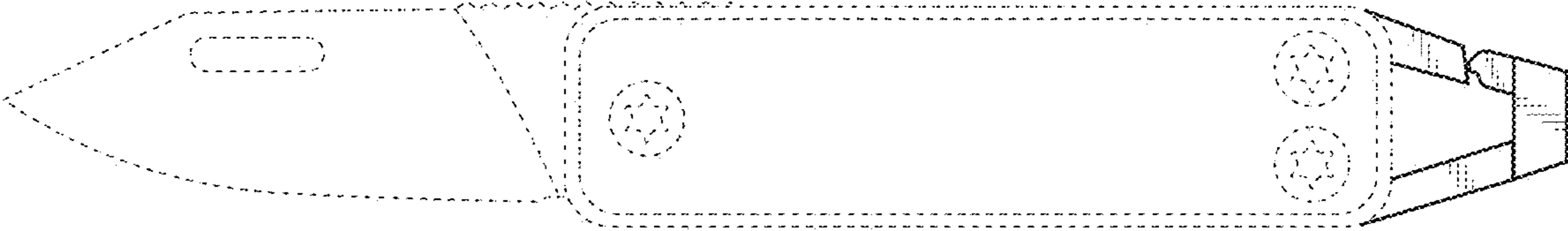


FIG. 1

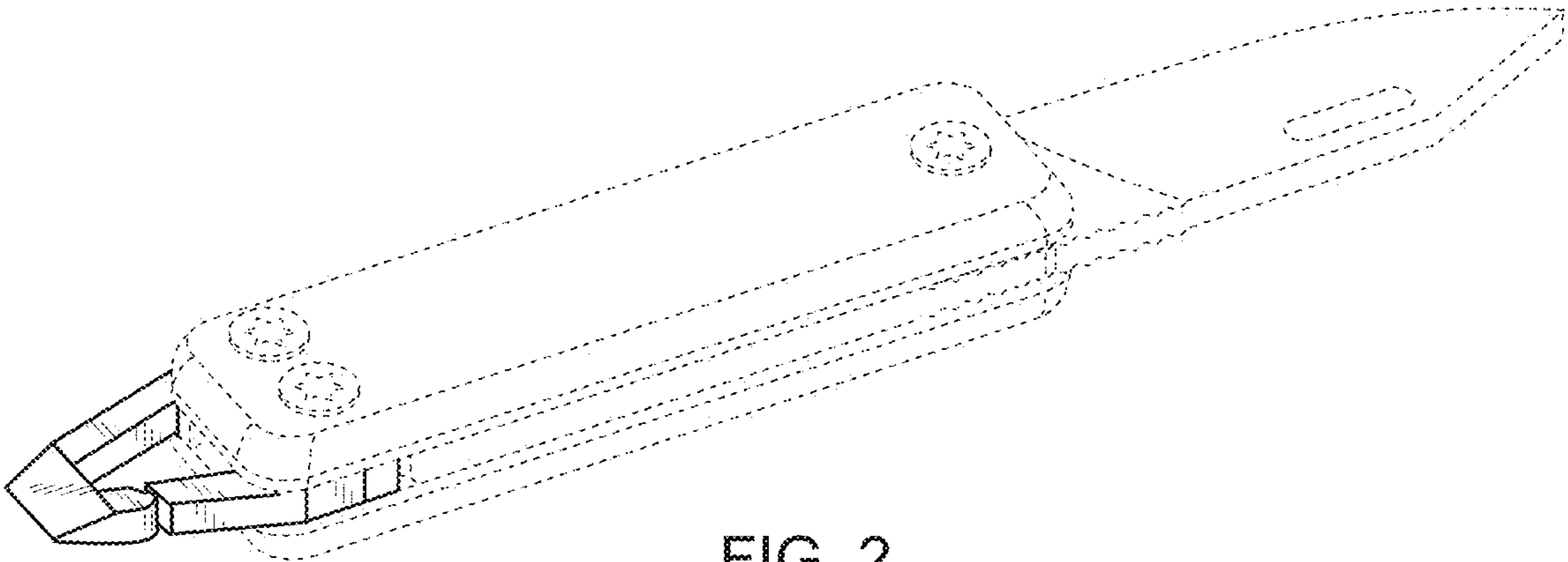


FIG. 2

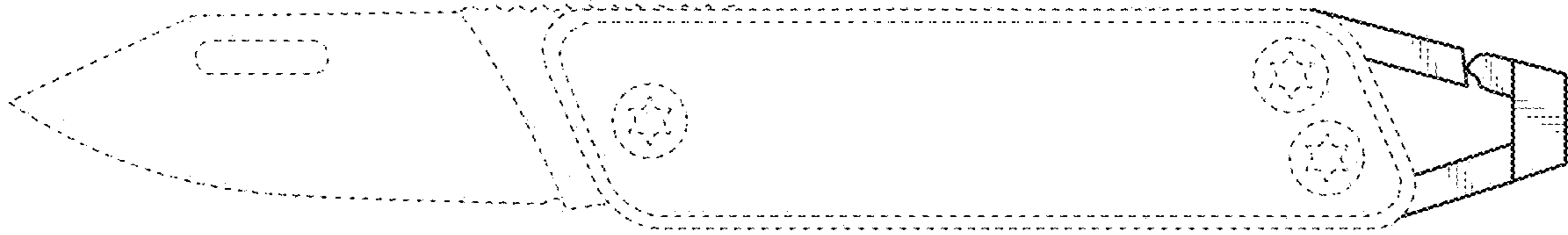


FIG. 3

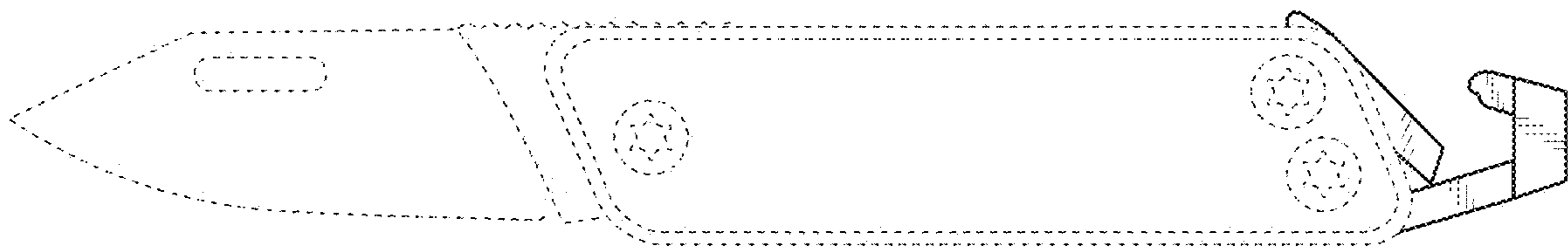


FIG. 4

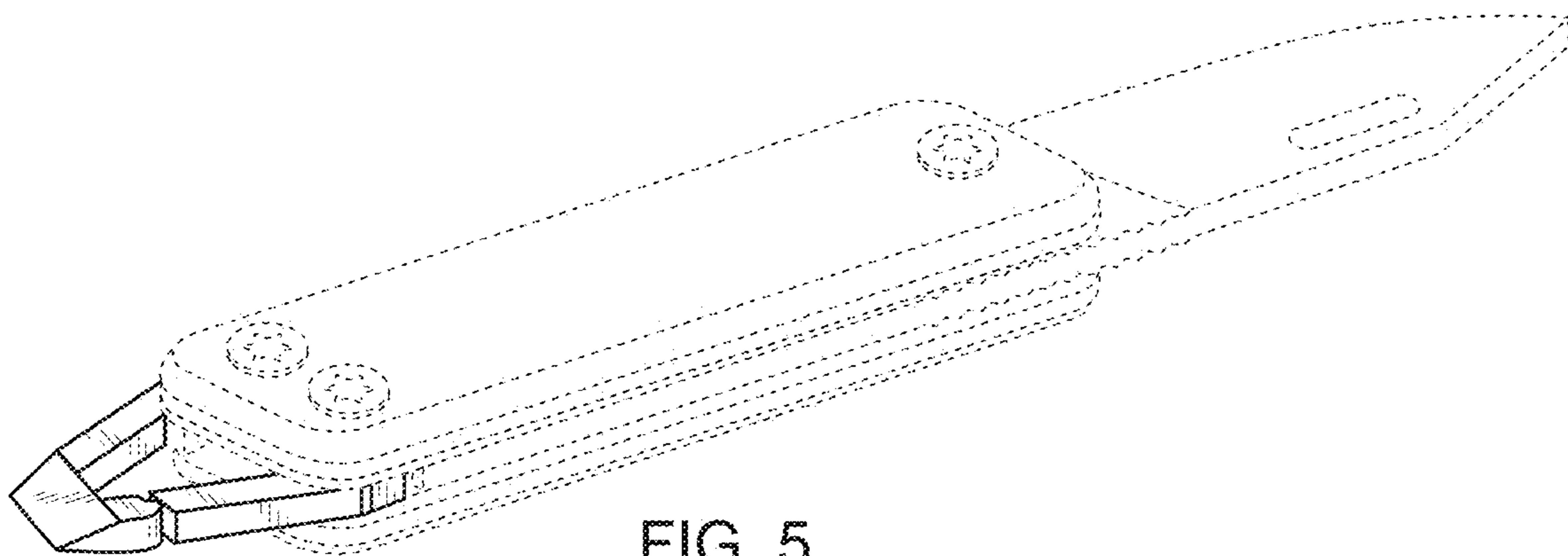


FIG. 5