



US00D933444S

(12) **United States Design Patent** (10) **Patent No.:** **US D933,444 S**  
**Dickman et al.** (45) **Date of Patent:** **\*\* Oct. 19, 2021**

(54) **KNIFE**  
(71) Applicant: **Benchmade Knife Co., Inc.**, Oregon  
City, OR (US)  
(72) Inventors: **Ryan Dickman**, Sandy, OR (US);  
**Brian Valdez**, Milwaukie, OR (US);  
**Vance Collver**, Gladstone, OR (US)  
(73) Assignee: **Benchmade Knife Co., Inc.**, Oregon  
City, OR (US)

D709,982 S \* 7/2014 Freeman ..... D22/118  
D806,498 S \* 1/2018 Bloch ..... D8/99  
D811,191 S \* 2/2018 Berenji ..... D8/99  
D863,929 S \* 10/2019 Chalfant ..... D8/99  
D863,930 S \* 10/2019 Chalfant ..... D8/99  
D863,931 S \* 10/2019 Chalfant ..... D8/99  
2005/0044717 A1\* 3/2005 Nishihara ..... B26B 1/04  
30/161  
2016/0311121 A1\* 10/2016 Wang ..... B26B 5/001  
2017/0246749 A1\* 8/2017 Karchon ..... B26B 11/00  
2017/0361473 A1\* 12/2017 Tkachenko ..... B26B 1/02  
2019/0321991 A1\* 10/2019 Medhurst ..... B26B 1/02  
2019/0329430 A1\* 10/2019 Billado, Jr. .... B26B 5/00

(\*\*) Term: **15 Years**

\* cited by examiner

(21) Appl. No.: **29/721,203**

*Primary Examiner* — Philip S Hyder

(22) Filed: **Jan. 17, 2020**

(74) *Attorney, Agent, or Firm* — Schwabe Williamson & Wyatt, P.C.

(51) **LOC (13) Cl.** ..... **08-03**

(57) **CLAIM**

(52) **U.S. Cl.**  
USPC ..... **D8/99**

We claim the ornamental design for a knife, as shown and described.

(58) **Field of Classification Search**  
USPC ..... D8/98, 99, 107, 14, 20; D22/118  
CPC ..... B26B 5/001; B26B 5/003; B26B 11/00;  
B26B 1/08; B26B 1/02; B26B 1/10;  
B26B 1/04; B26B 1/046; B26B 1/048;  
B26B 1/042  
See application file for complete search history.

**DESCRIPTION**

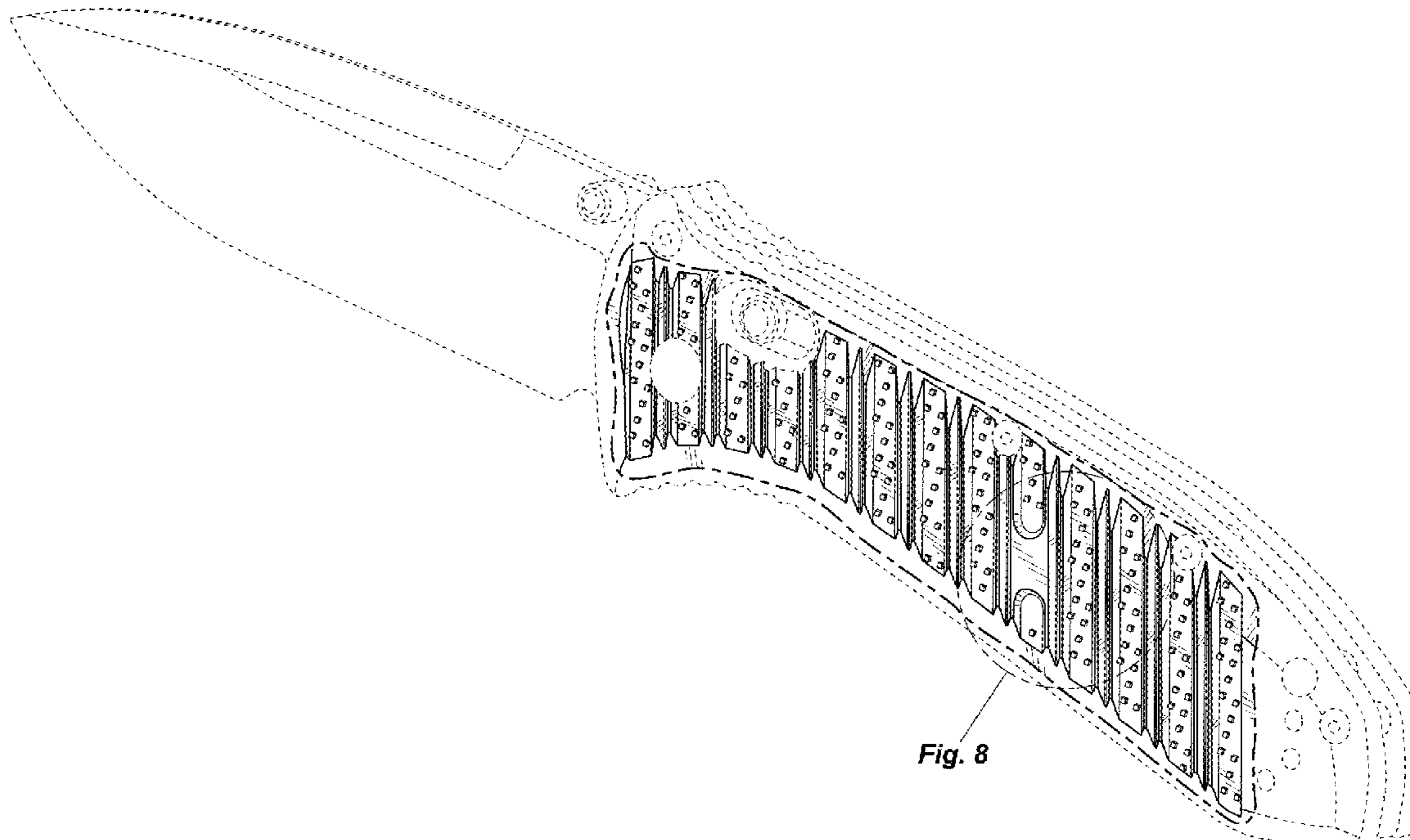
(56) **References Cited**

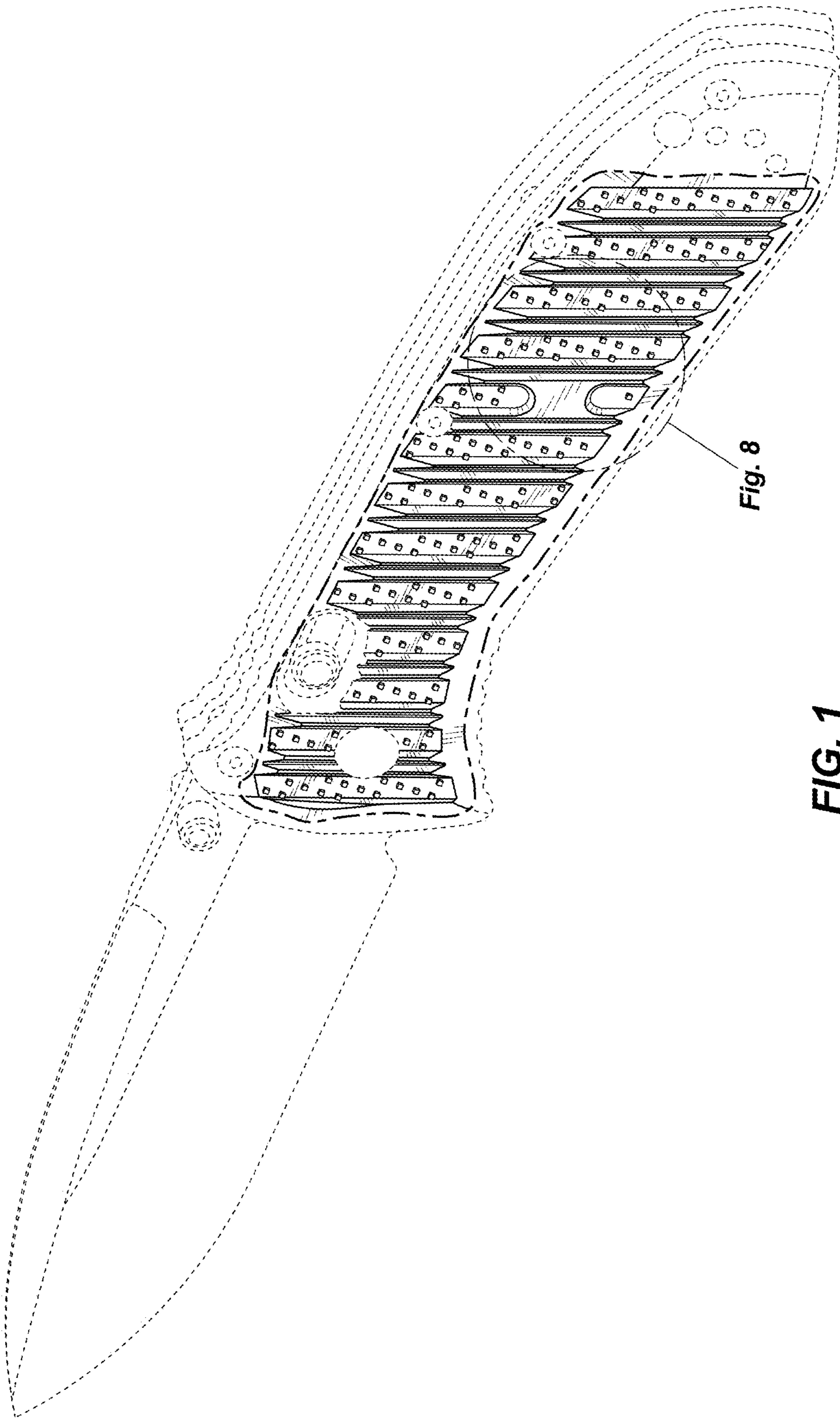
U.S. PATENT DOCUMENTS

D333,251 S \* 2/1993 Glesser ..... D22/118  
D344,006 S \* 2/1994 Glesser ..... D22/118  
D385,173 S \* 10/1997 McWillis ..... D8/99  
D415,006 S \* 10/1999 Thompson ..... D8/99  
D578,857 S \* 10/2008 Yang-Fu ..... D8/99  
D661,367 S \* 6/2012 Seeds ..... D22/118  
D696,920 S \* 1/2014 Cagampang ..... D8/99

FIG. 1 is a perspective view of a knife, showing our new design;  
FIG. 2 is a right side view thereof;  
FIG. 3 is a left side view thereof;  
FIG. 4 is a top view thereof;  
FIG. 5 is a bottom view thereof;  
FIG. 6 is a front view thereof;  
FIG. 7 is a back view thereof; and,  
FIG. 8 is an enlarged view of the region denoted on FIG. 1. The broken lines depict portions of the knife in which the design is embodied that are not considered part of the claimed design.

**1 Claim, 4 Drawing Sheets**





**FIG. 1**

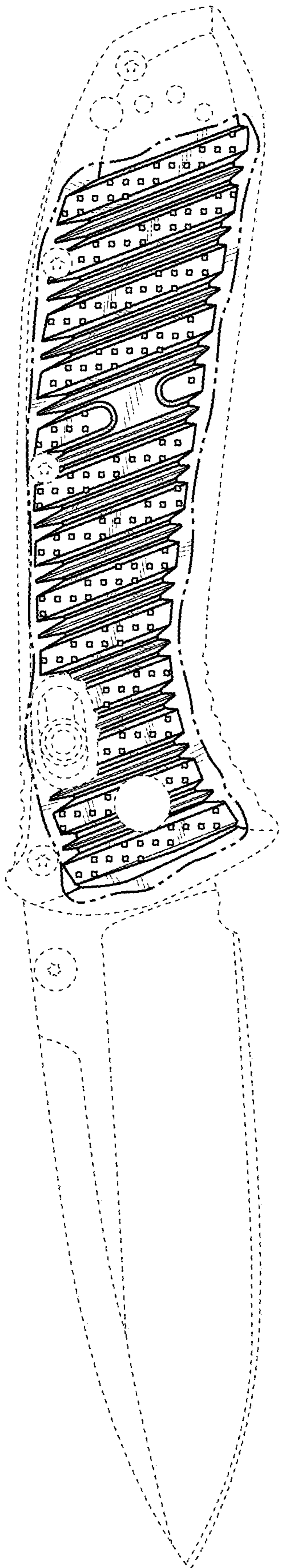


FIG. 2

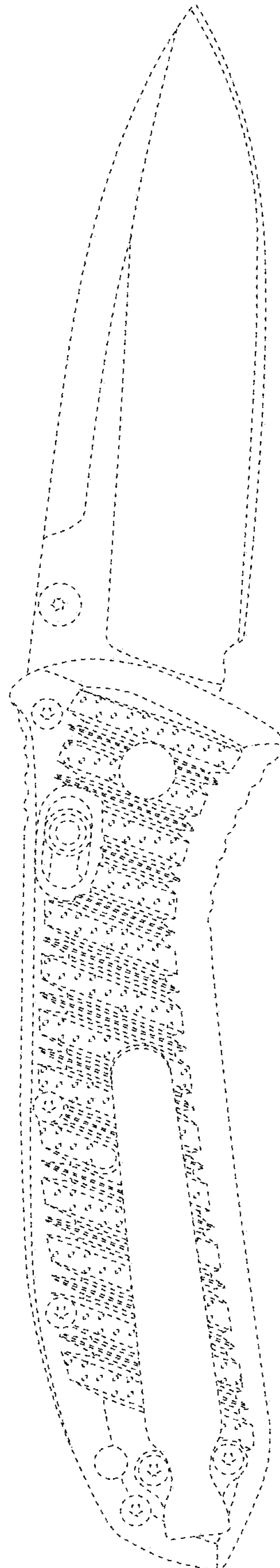
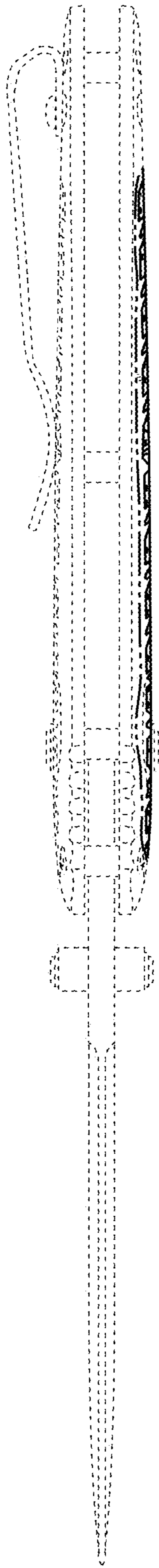
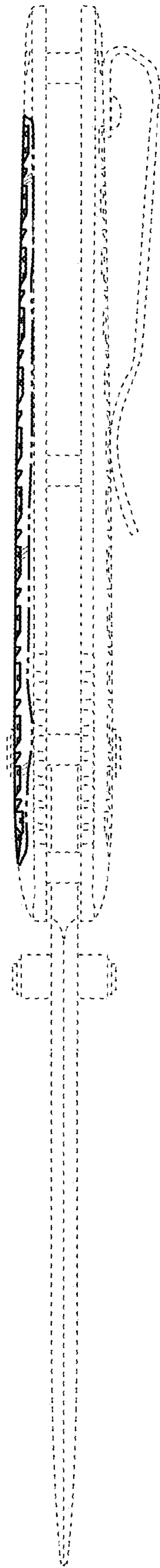


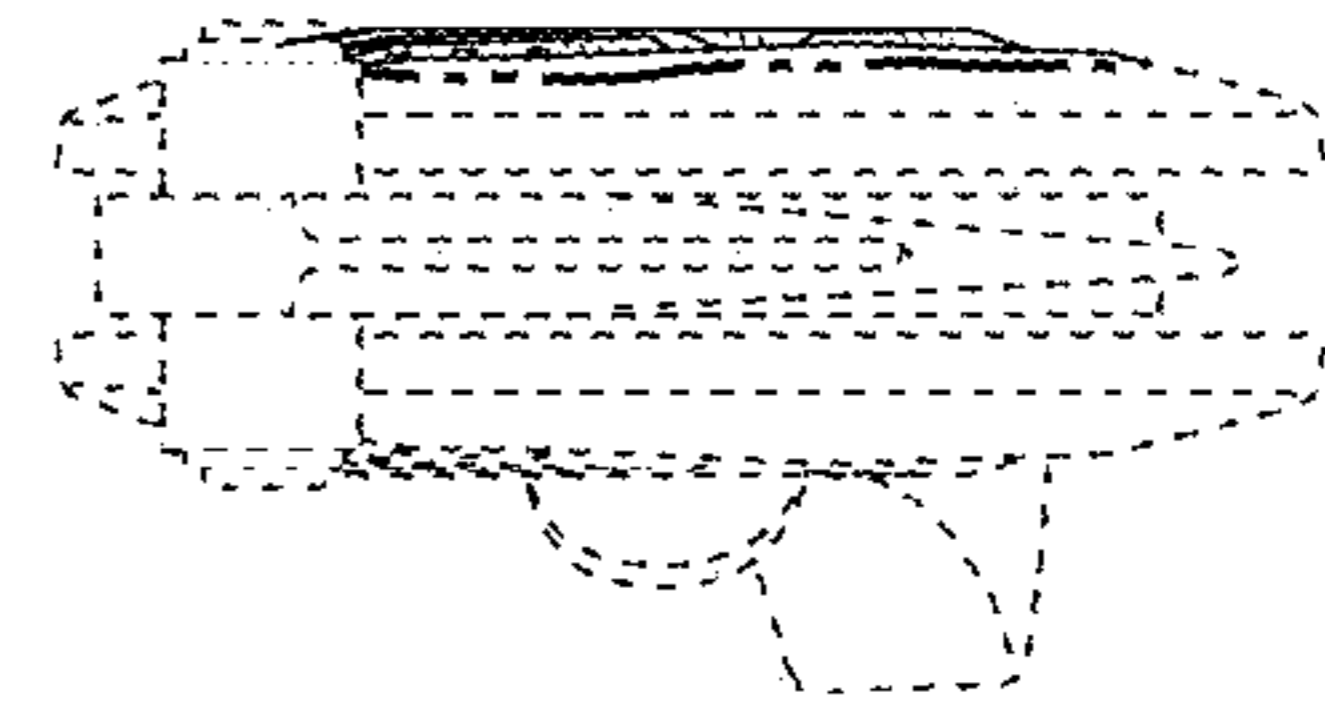
FIG. 3



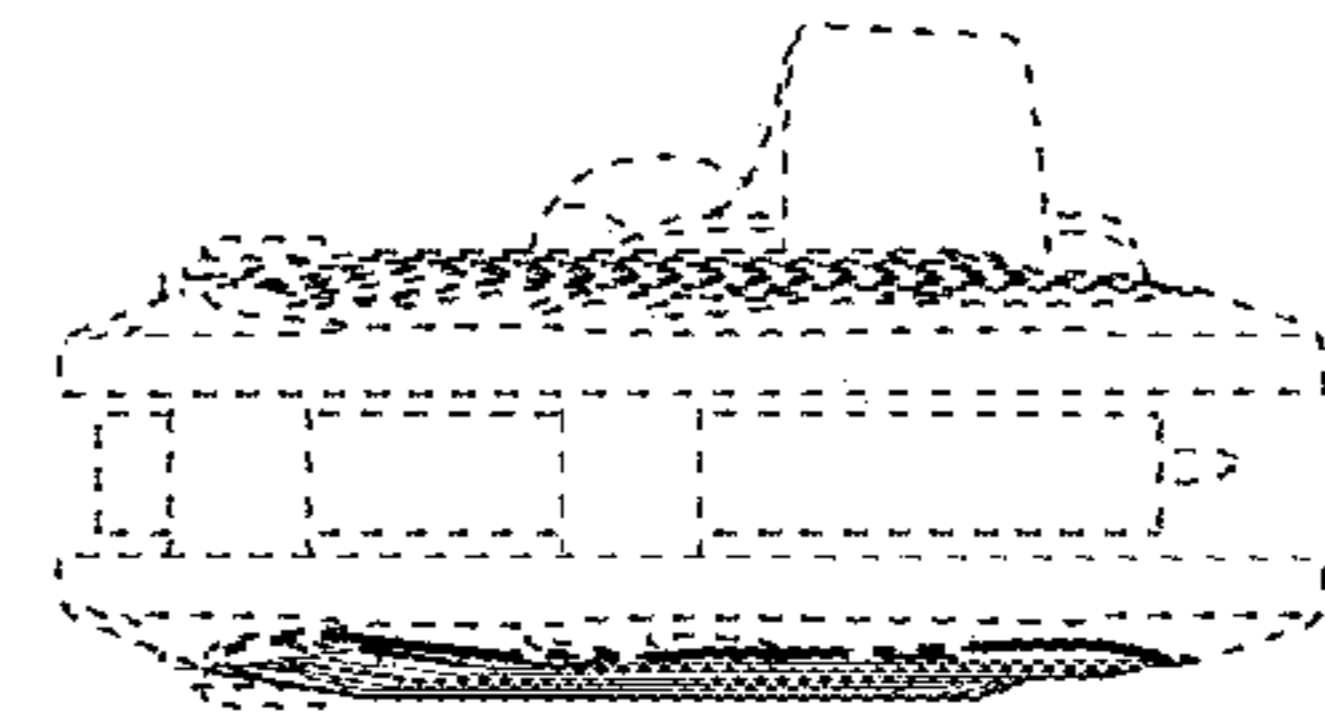
**FIG. 4**



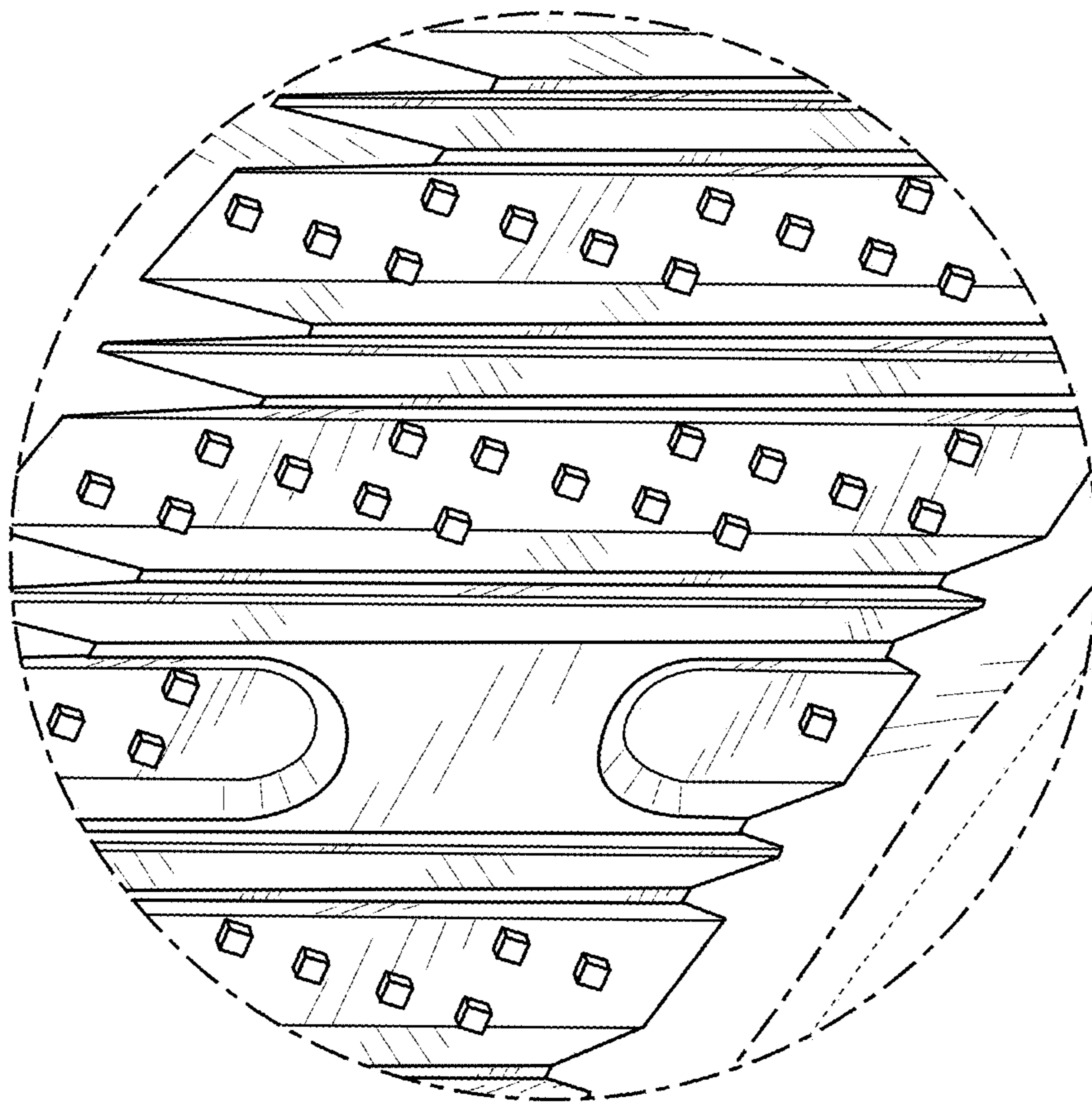
**FIG. 5**



**FIG. 6**



**FIG. 7**



**FIG. 8**