



US00D933443S

(12) **United States Design Patent** (10) **Patent No.:** **US D933,443 S**
Van Essen et al. (45) **Date of Patent:** **** Oct. 19, 2021**

(54) **DRIVER BIT**

- (71) Applicant: **MILWAUKEE ELECTRIC TOOL CORPORATION**, Brookfield, WI (US)
- (72) Inventors: **James J. Van Essen**, Hales Corners, WI (US); **Smith C. Theiler**, Plymouth, WI (US); **Michael J. Zimmermann**, New Berlin, WI (US)
- (73) Assignee: **Milwaukee Electric Tool Corporation**, Brookfield, WI (US)
- (**) Term: **15 Years**
- (21) Appl. No.: **29/759,795**
- (22) Filed: **Nov. 25, 2020**

Related U.S. Application Data

- (63) Continuation of application No. 29/660,273, filed on Aug. 20, 2018, now Pat. No. Des. 906,081.
- (51) **LOC (13) Cl.** **08-04**
- (52) **U.S. Cl.**
USPC **D8/86**
- (58) **Field of Classification Search**
USPC D8/82, 83, 84, 85, 86, 70
(Continued)

(56) **References Cited**

U.S. PATENT DOCUMENTS

- 1,353,761 A 9/1920 Knoche
 - 3,176,932 A 4/1965 Kovaleski
- (Continued)

FOREIGN PATENT DOCUMENTS

- DE 4300446 A1 6/1994
 - EP 2527066 A2 11/2012
- (Continued)

OTHER PUBLICATIONS

European Patent Office Extended Search Report for Application No. 19192364.8 dated Jan. 30, 2020 (7 pages).

Primary Examiner — Philip S Hyder
(74) *Attorney, Agent, or Firm* — Michael Best & Friedrich LLP

(57) **CLAIM**

We claim the ornamental design for a driver bit, as shown and described.

DESCRIPTION

The patent or application file contains a least one drawing executed in color. Copies of this patent or patent application publication with color drawings will be provided by the Office upon request and payment of the necessary fee.

FIG. 1 is a perspective view of a driver bit embodying the invention.

FIG. 2 is a first side view of the driver bit of FIG. 1.

FIG. 3 is a second side view of the driver bit of FIG. 1.

FIG. 4 is a first end view of the driver bit and of FIG. 1.

FIG. 5 is a second end view of the driver bit of FIG. 1.

FIG. 6 is a third side view of the driver bit of FIG. 1.

FIG. 7 is a fourth side view of the driver bit of FIG. 1.

FIG. 8 is a perspective view of another driver bit embodying the invention.

FIG. 9 is a first side view of the driver bit of FIG. 8.

FIG. 10 is a second side view of the driver bit of FIG. 8.

FIG. 11 is a first end view of the driver bit of FIG. 8.

FIG. 12 is a second end view of the driver bit of FIG. 8.

FIG. 13 is a third side view of the driver bit of FIG. 8.

FIG. 14 is a fourth side view of the driver bit of FIG. 8.

FIG. 15 is a perspective view of another driver bit embodying the invention.

FIG. 16 is a first side view of the driver bit of FIG. 15.

FIG. 17 is a second side view of the driver bit of FIG. 15.

FIG. 18 is a first end view of the driver bit of FIG. 15.

FIG. 19 is a second end view of the driver bit of FIG. 15.

FIG. 20 is a third side view of the driver bit of FIG. 15.

FIG. 21 is a fourth side view of the driver bit of FIG. 15.

(Continued)

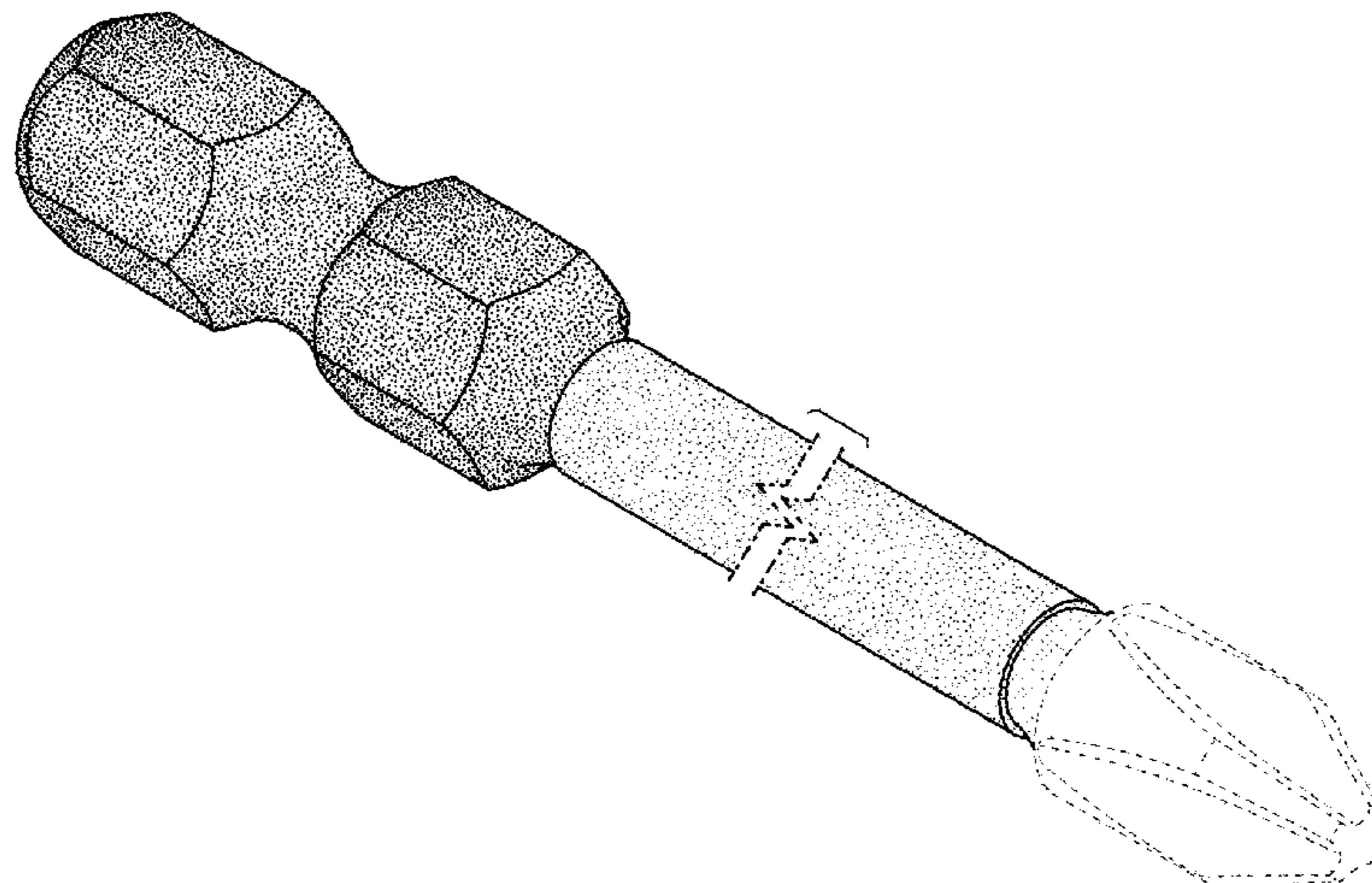


FIG. 22 is a perspective view of another driver bit embodying the invention.

FIG. 23 is a first side view of the driver bit of FIG. 22.

FIG. 24 is a second side view of the driver bit of FIG. 22.

FIG. 25 is a first end view of the driver bit of FIG. 22.

FIG. 26 is a second end view of the driver bit of FIG. 22.

FIG. 27 is a third side view of the driver bit of FIG. 22; and,

FIG. 28 is a fourth side view of the driver bit of FIG. 22.

The long and short broken lines indicate boundaries which form no part of the claimed design.

The black, red, and gray color shown in the embodiment of FIGS. 8-14 and 22-28 forms a part of the claimed design in the embodiment of FIGS. 8-14 and FIGS. 22-28.

The different stippling intensities in FIGS. 1-7 and 15-21 represent contrasts in color appearance and not stipple patterns on the driver bits.

**1 Claim, 16 Drawing Sheets
(8 of 16 Drawing Sheet(s) Filed in Color)**

(58) **Field of Classification Search**

CPC ... B25B 15/001; B25B 15/002; B25B 15/004;
B25B 15/005; B25B 15/007

See application file for complete search history.

(56) **References Cited**

U.S. PATENT DOCUMENTS

D244,808	S	6/1977	Ubermuth
D330,318	S	10/1992	Snider
5,515,754	A	5/1996	Elkins
5,724,873	A	3/1998	Hillinger
5,868,047	A	2/1999	Faust et al.
D428,106	S	7/2000	Yamaguchi
6,154,108	A	11/2000	Huang
6,209,426	B1	4/2001	Takahashi
6,289,541	B1	9/2001	Anderson et al.
6,311,989	B1	11/2001	Rosanwo
D457,046	S	5/2002	Boyle et al.
D457,797	S	5/2002	Huang
6,530,299	B1	3/2003	Liu
6,722,667	B2	4/2004	Cantlon
6,761,361	B2	7/2004	Taylor et al.
D497,300	S	10/2004	Chen
6,877,402	B1	4/2005	Pigford et al.
6,931,967	B1	8/2005	Chang
7,097,398	B2	8/2006	Hernandez, Jr.
7,107,882	B1	9/2006	Chang
7,159,493	B1	1/2007	Huang

7,261,023	B2	8/2007	Taguchi
7,469,909	B2	12/2008	Strauch et al.
7,574,946	B1	8/2009	Chang
D615,380	S	5/2010	Su
D623,036	S	9/2010	DeBaker
D631,723	S	2/2011	DeBaker
7,922,180	B2	4/2011	Meng
D644,903	S	9/2011	Chen
D646,138	S	10/2011	Hsu
D648,607	S	11/2011	Tanger
D655,369	S	3/2012	Hafner
8,132,990	B2	3/2012	Bauman
8,176,817	B2	5/2012	Liu
8,366,356	B2	2/2013	Novak et al.
8,864,143	B2	10/2014	Lin
D725,984	S	4/2015	Moss et al.
D726,521	S	4/2015	Moss et al.
9,132,534	B2	9/2015	Lai
D752,408	S	3/2016	Moss et al.
9,314,909	B2	4/2016	Vaamonde Coton et al.
D759,459	S	6/2016	Thomson
D764,251	S	8/2016	Hsu
9,406,423	B1	8/2016	Tsai
9,505,108	B2	11/2016	Peters
D789,761	S	6/2017	Moss et al.
10,150,205	B2	12/2018	Santamarina et al.
D838,566	S	1/2019	Moss et al.
D841,425	S	2/2019	Moss et al.
2004/0093997	A1	5/2004	Huang
2005/0098002	A1	5/2005	Holland-Letz
2005/0166725	A1	8/2005	Chen
2006/0278050	A1	12/2006	Hsiao
2007/0234856	A1	10/2007	Liu
2009/0139378	A1	6/2009	Chiang et al.
2009/0174157	A1	7/2009	Chang
2009/0288525	A1	11/2009	Chen
2010/0011918	A1	1/2010	Ray
2010/0219594	A1	9/2010	Nash
2010/0307298	A1	12/2010	Lai
2011/0197721	A1	8/2011	DeBaker
2012/0160064	A1	6/2012	Moss et al.
2015/0202751	A1	7/2015	Chen
2016/0016298	A1	1/2016	Zhang
2016/0023333	A1	1/2016	Chen
2016/0271768	A1	9/2016	Zhang
2016/0279769	A1	9/2016	Arslan
2016/0325411	A1	11/2016	Wang
2017/0120428	A1	5/2017	Wang

FOREIGN PATENT DOCUMENTS

GB	950544	A	2/1964
WO	2005042210	A1	5/2005
WO	2006111447	A1	10/2006
WO	2008043514	A1	4/2008
WO	2012110453	A1	8/2012
WO	2017055657	A1	4/2017
WO	2018098700	A1	6/2018

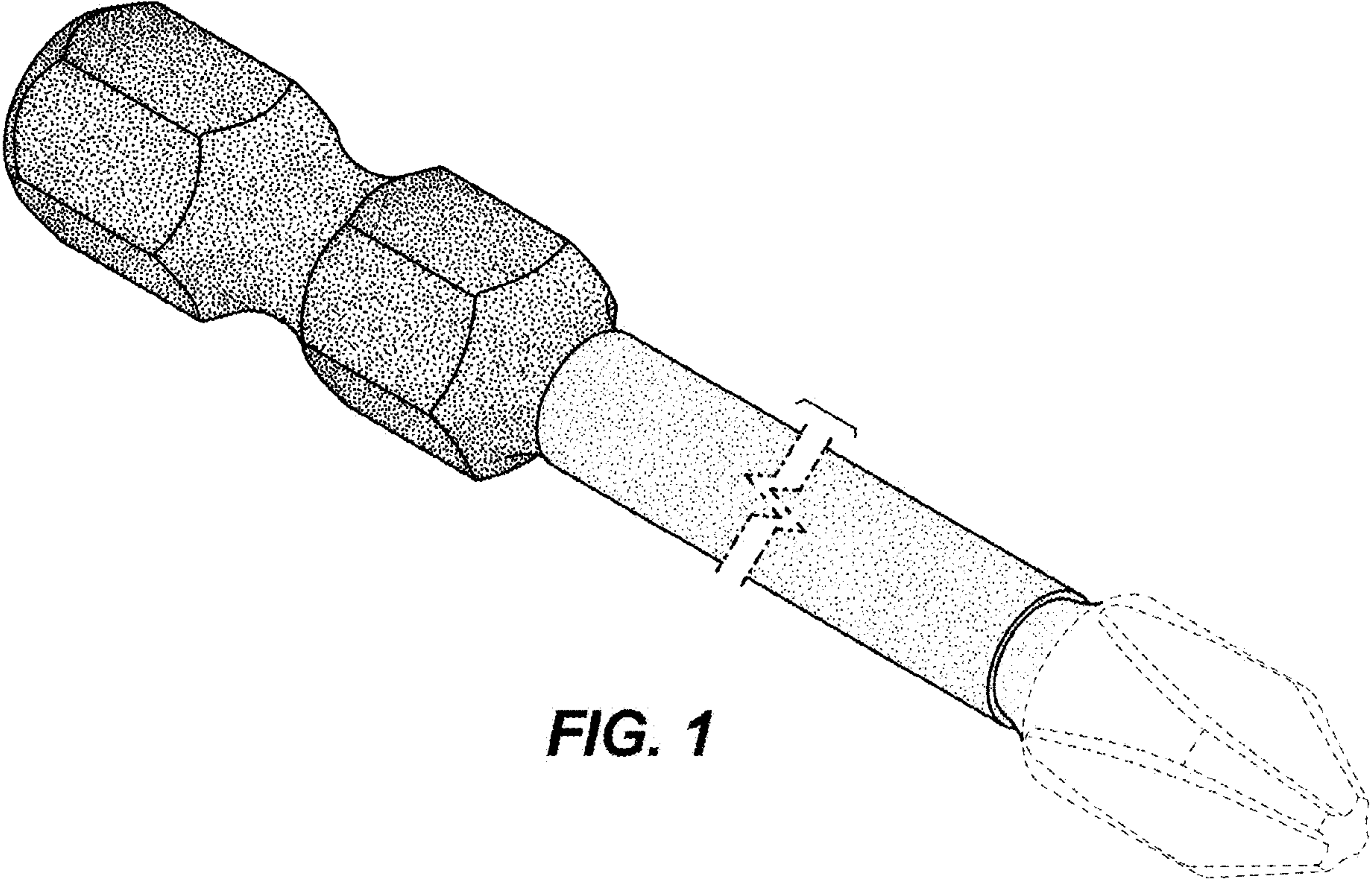


FIG. 1

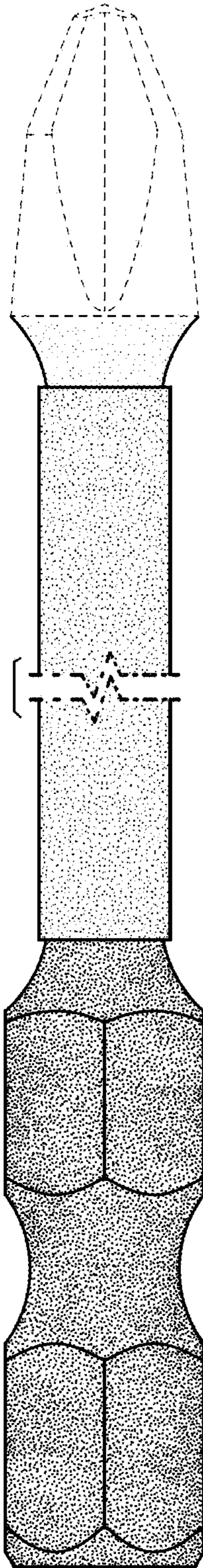


FIG. 2

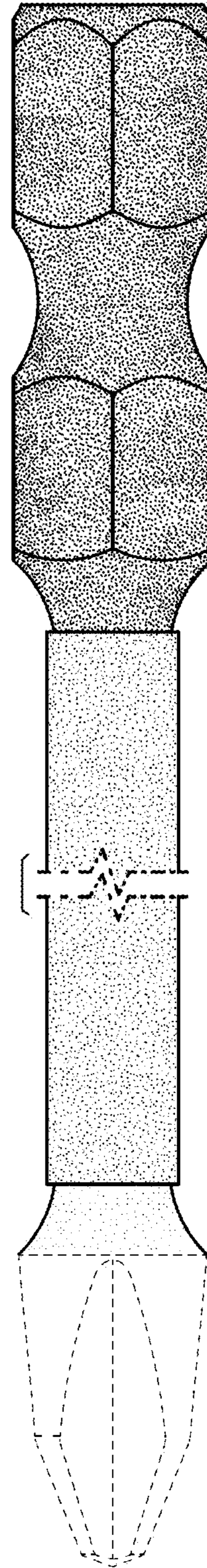


FIG. 3

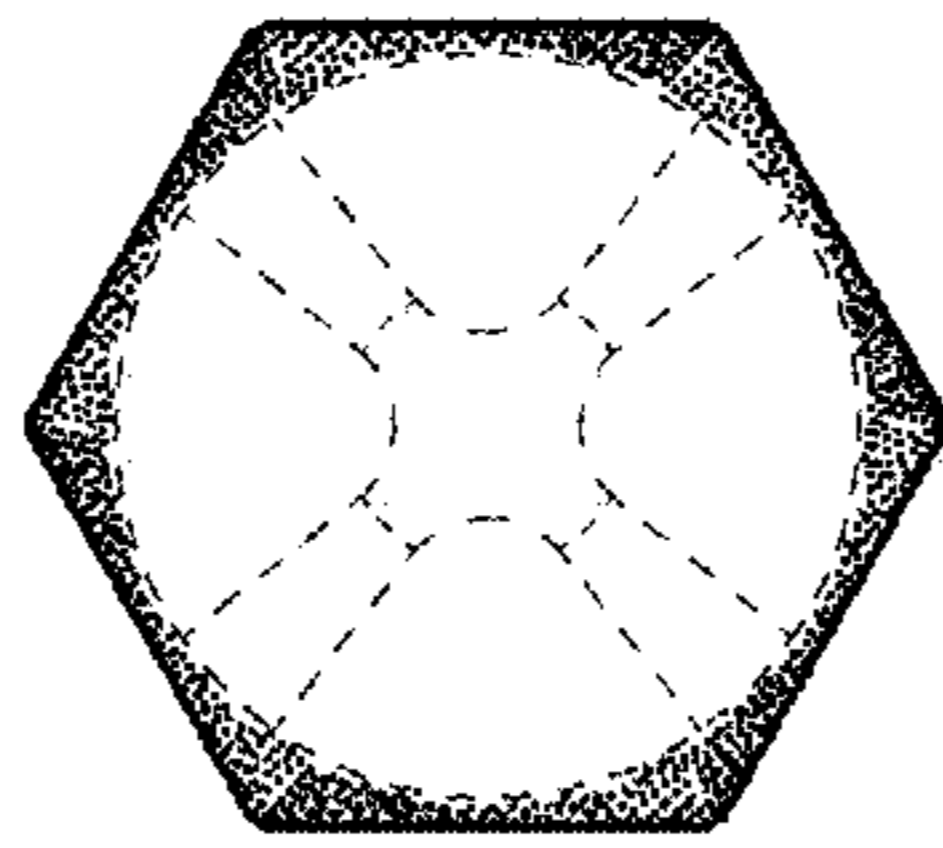


FIG. 4

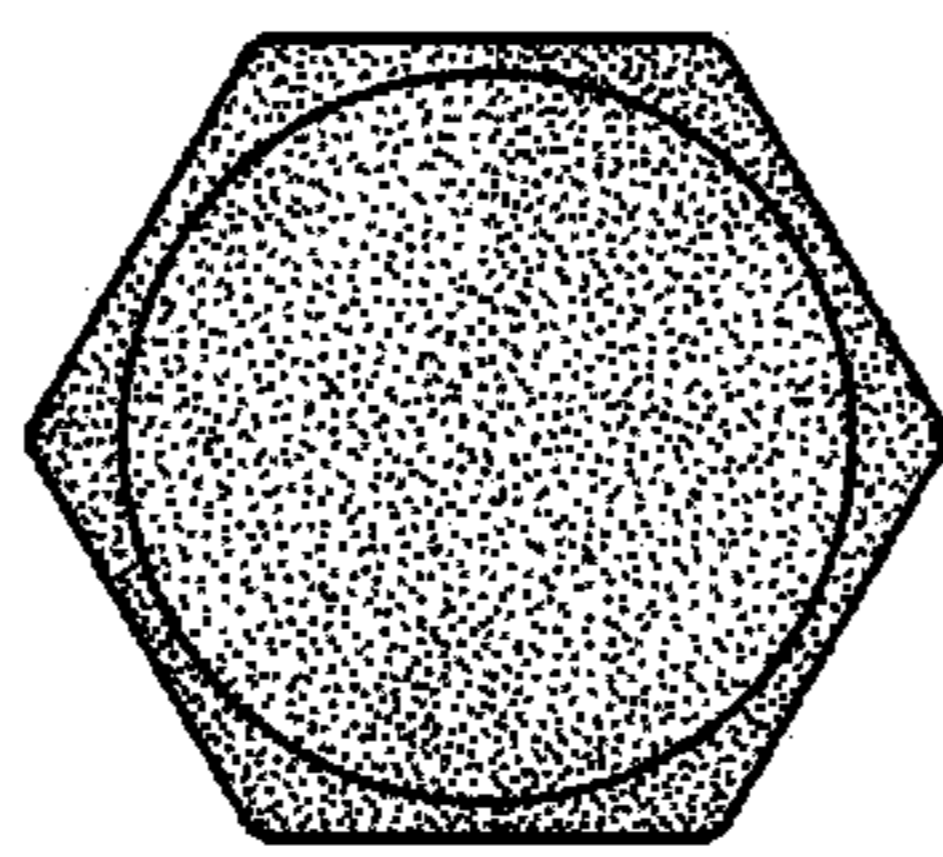


FIG. 5

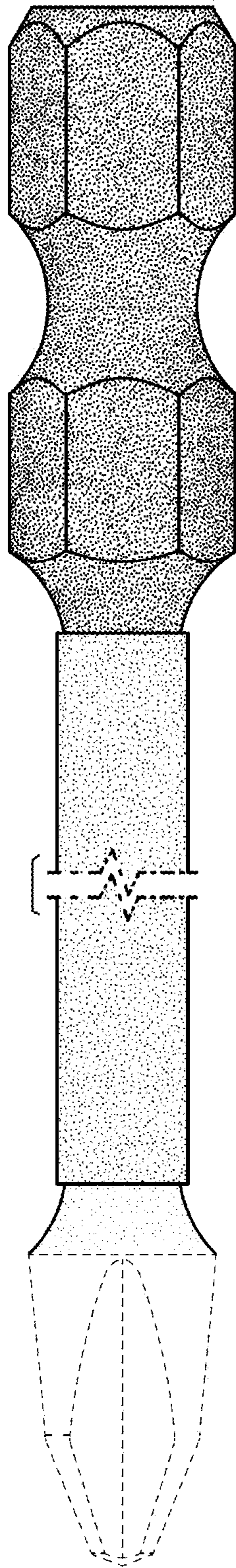


FIG. 6

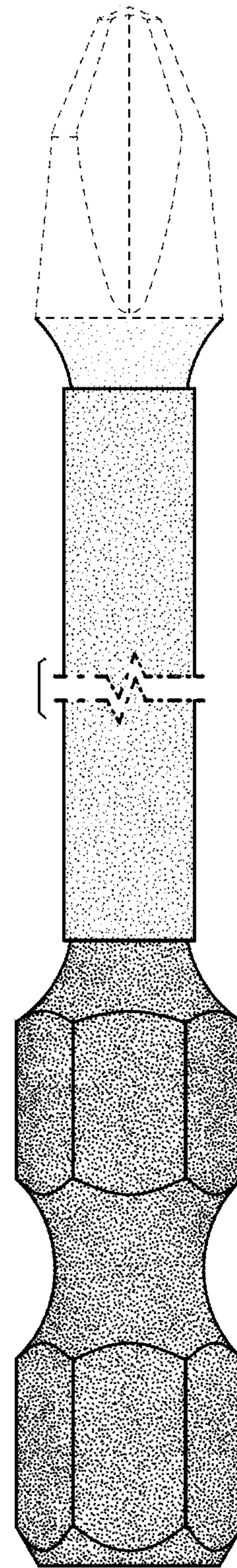


FIG. 7

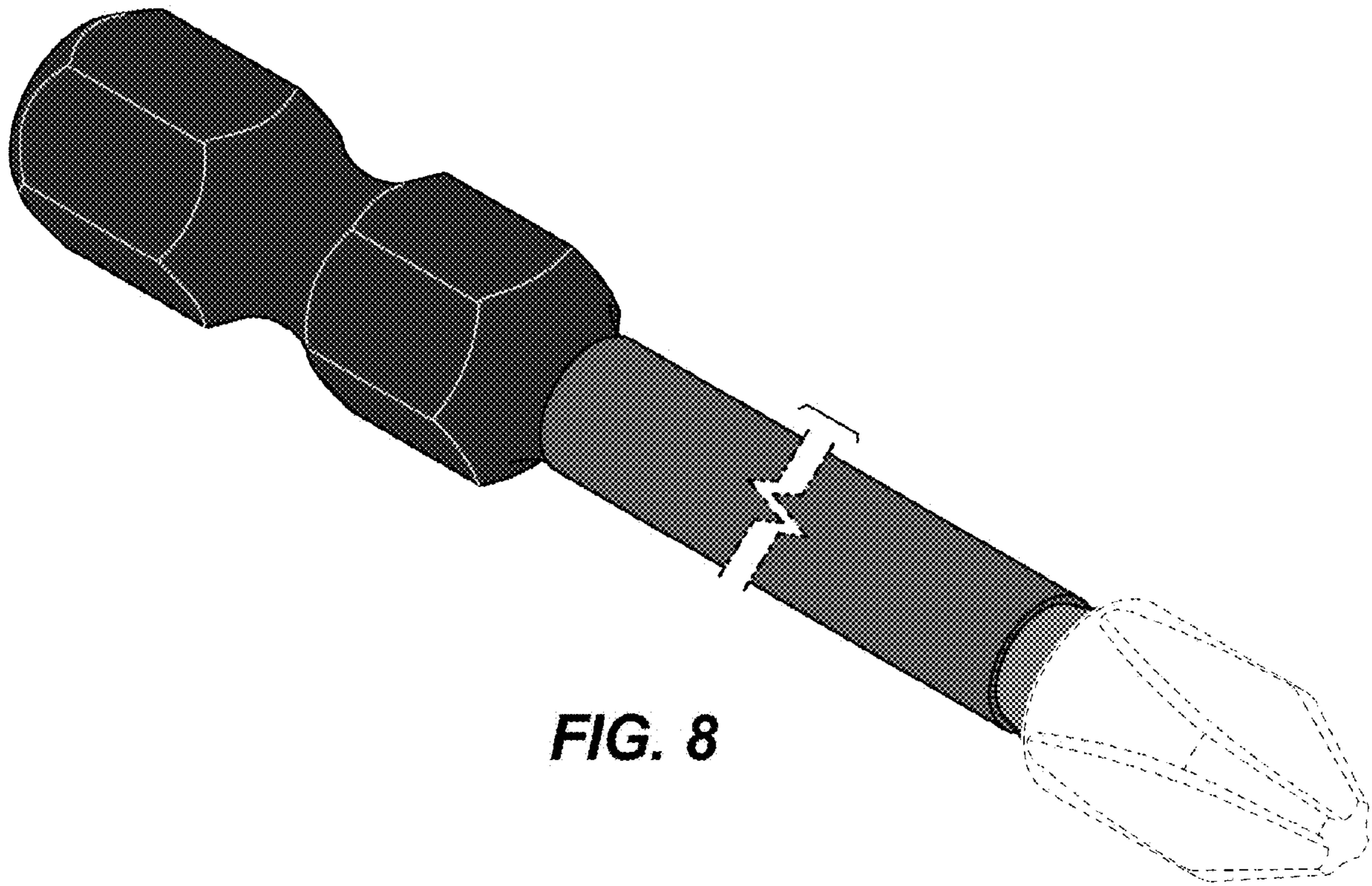


FIG. 8

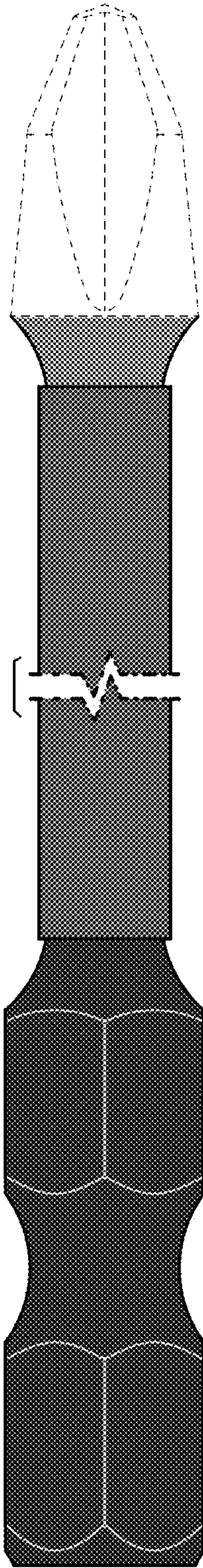


FIG. 9

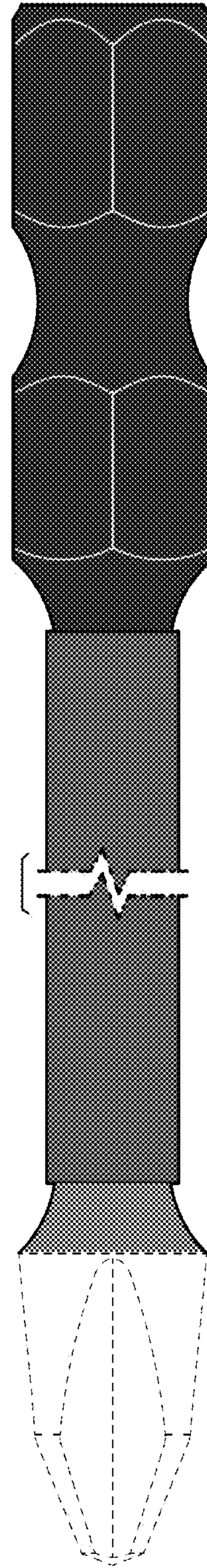


FIG. 10

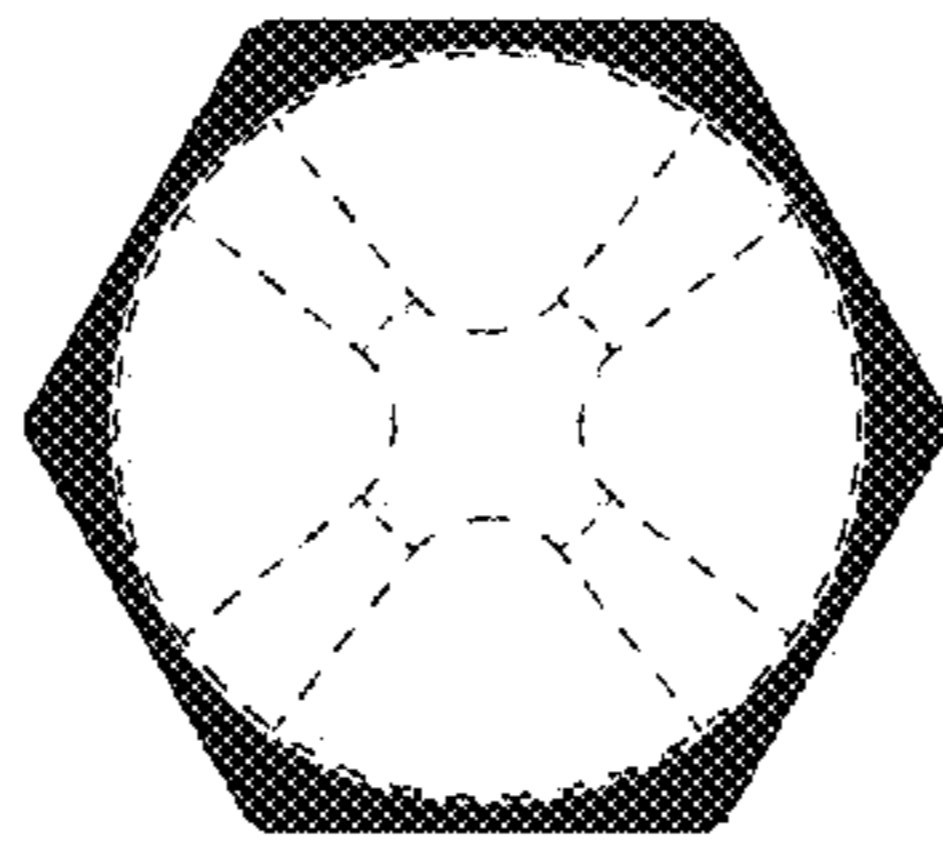


FIG. 11

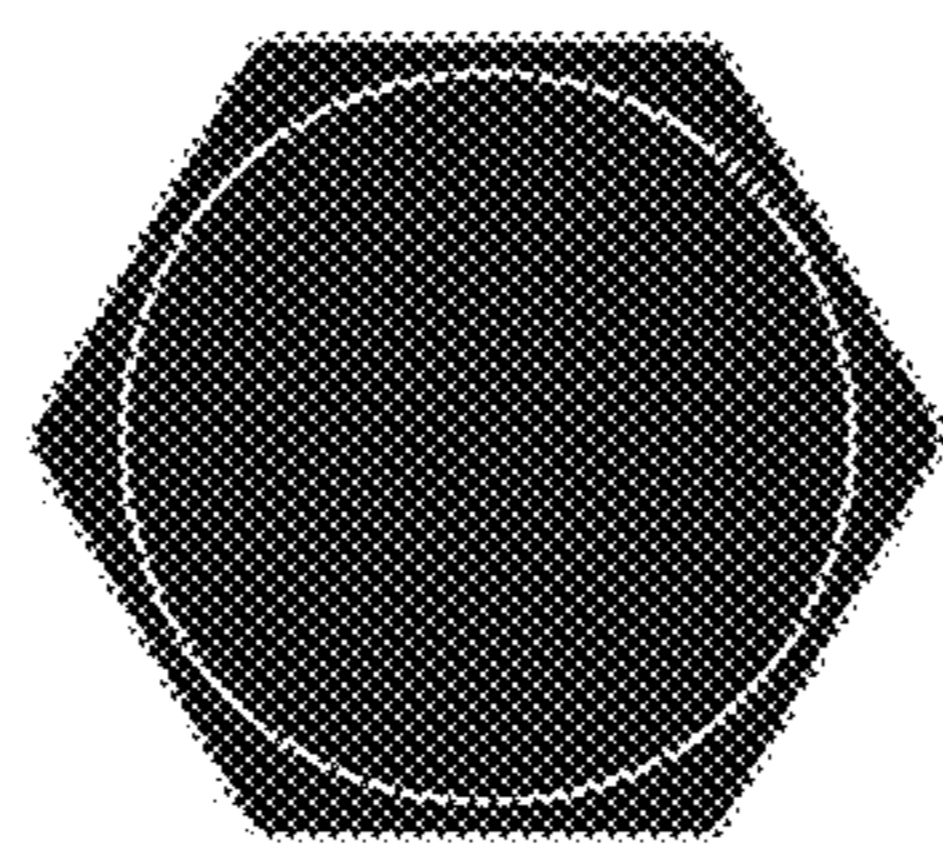


FIG. 12

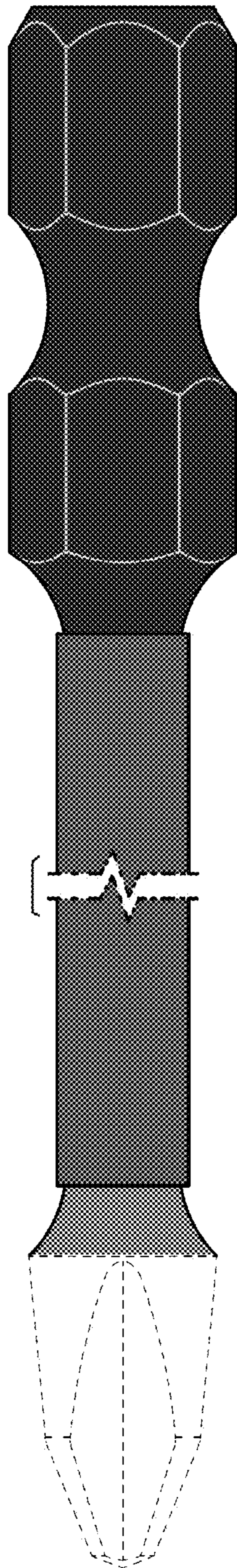


FIG. 13

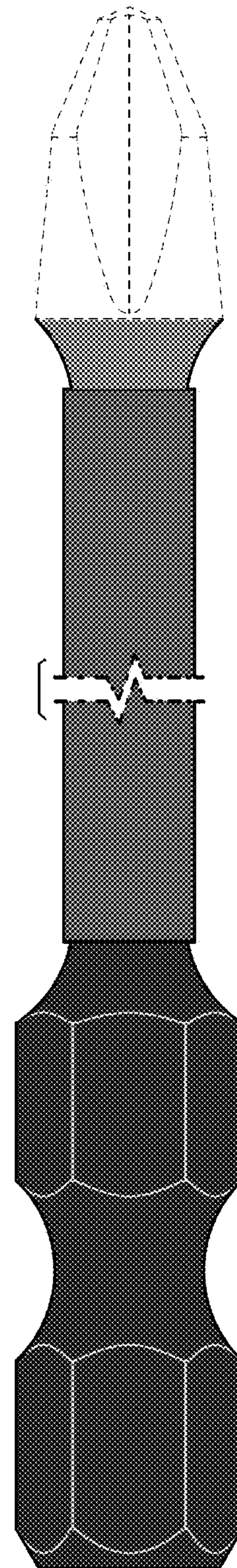


FIG. 14

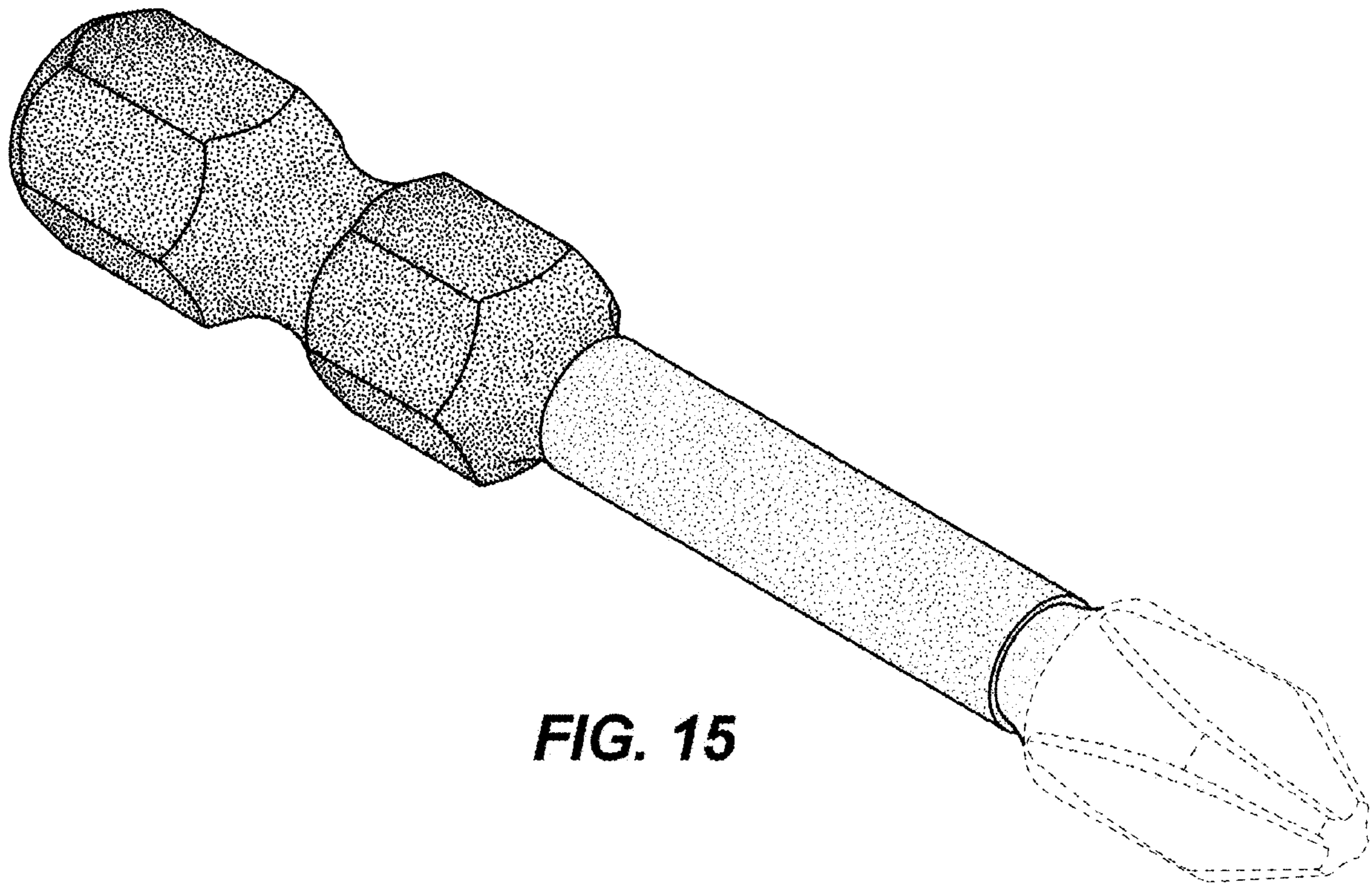


FIG. 15

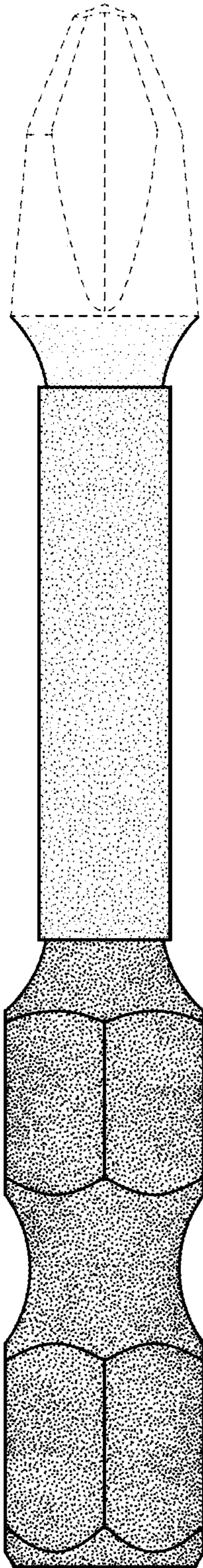


FIG. 16

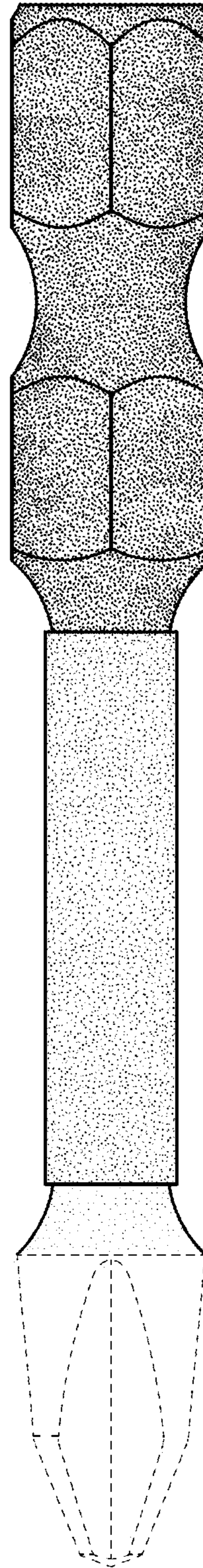


FIG. 17

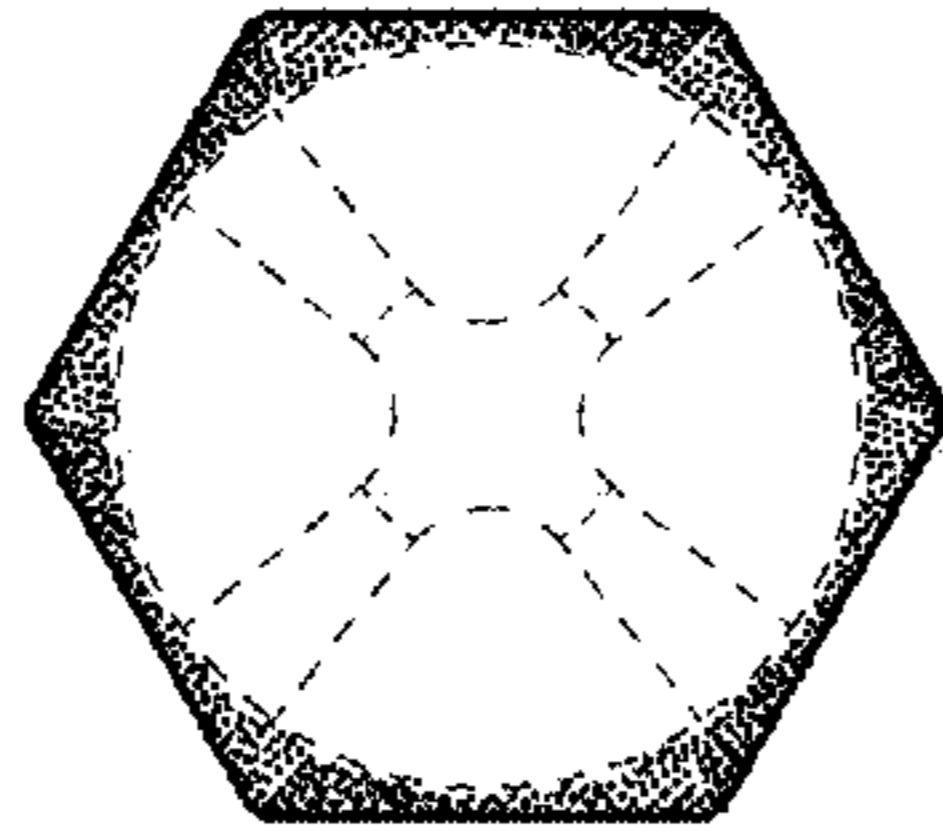


FIG. 18

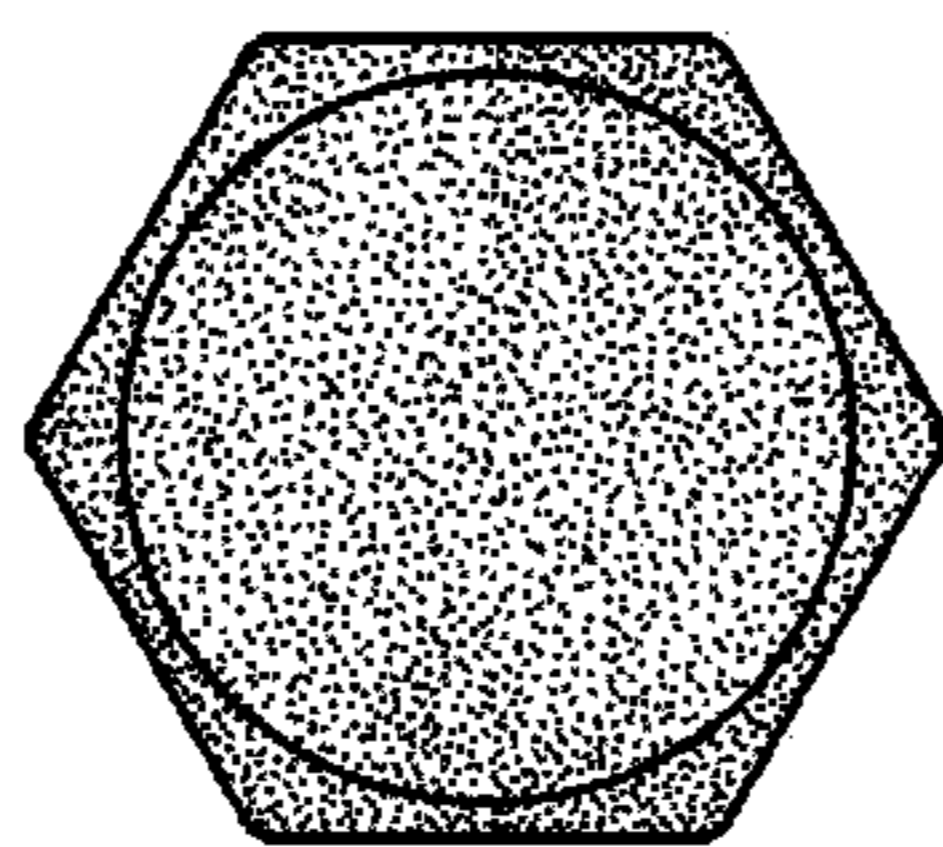


FIG. 19

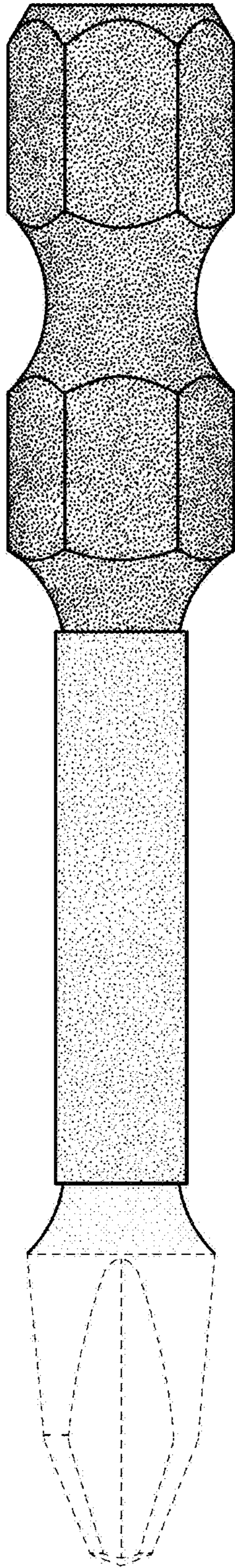


FIG. 20

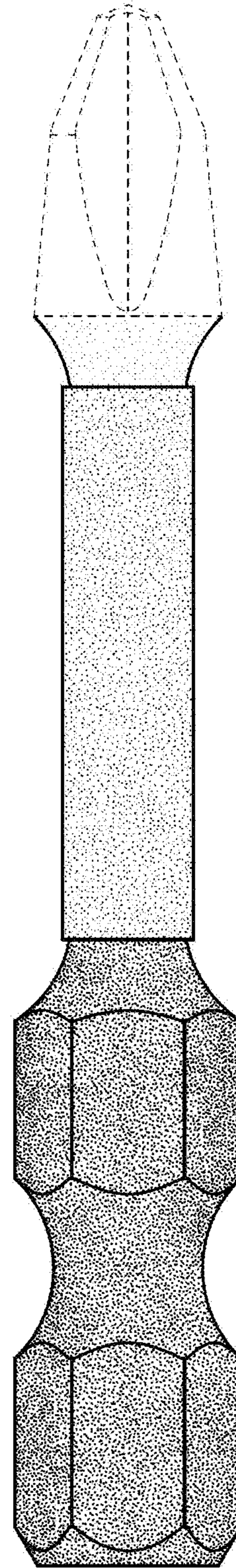


FIG. 21

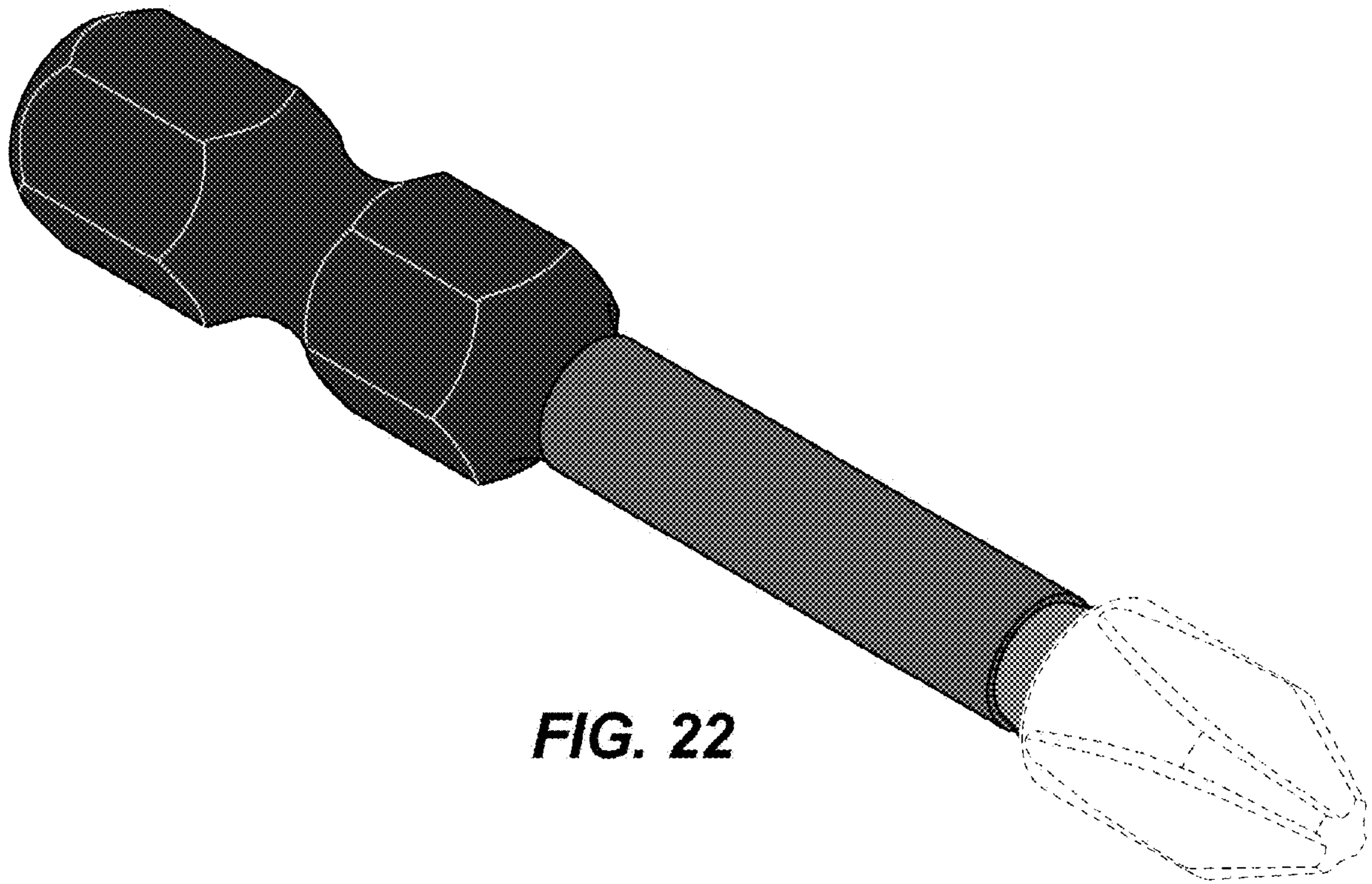


FIG. 22

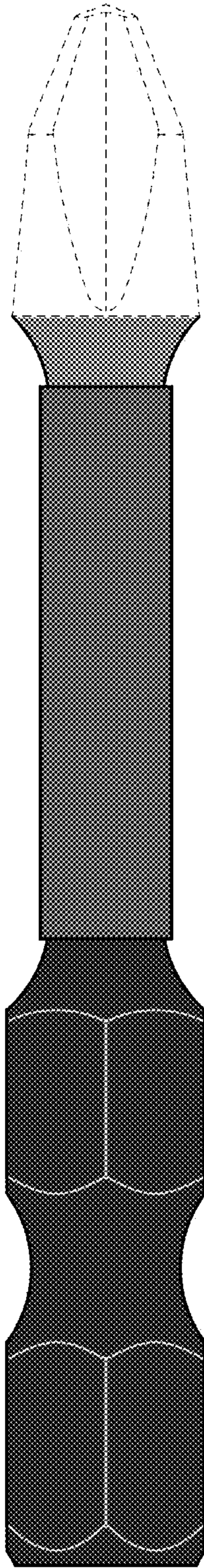


FIG. 23

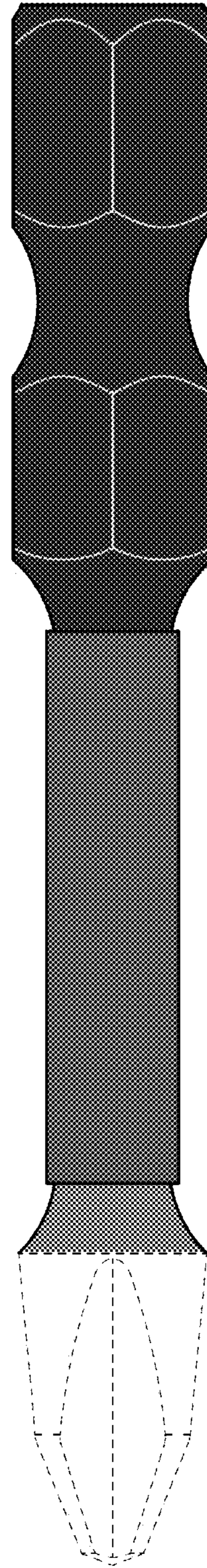


FIG. 24

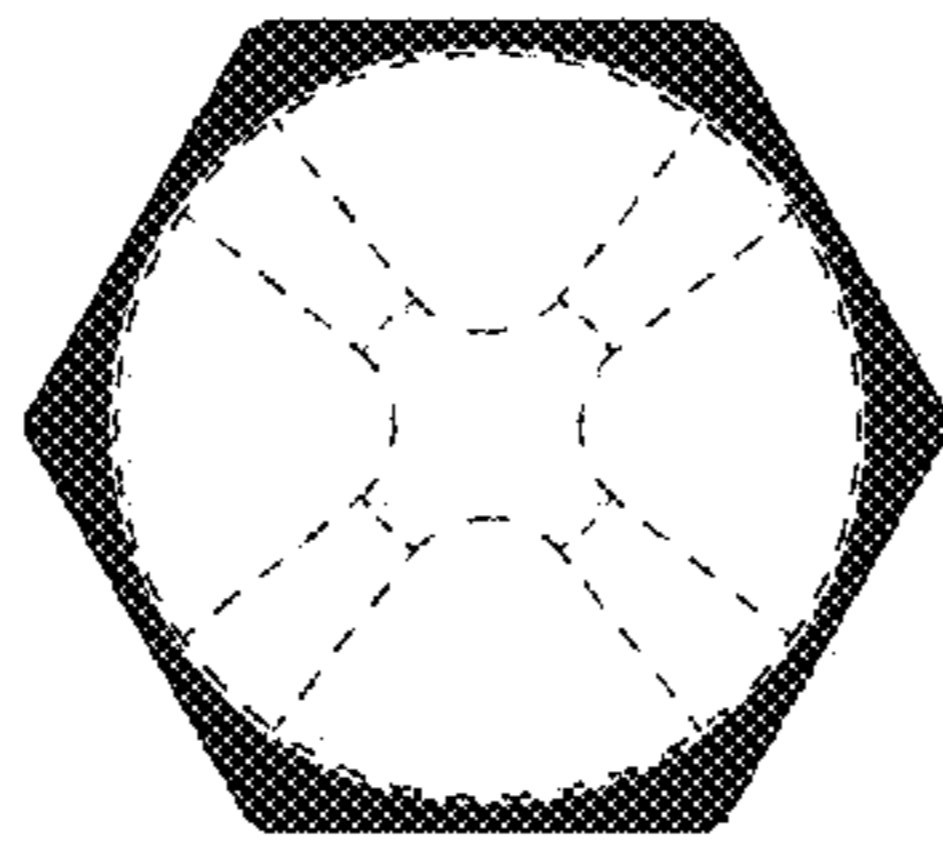


FIG. 25

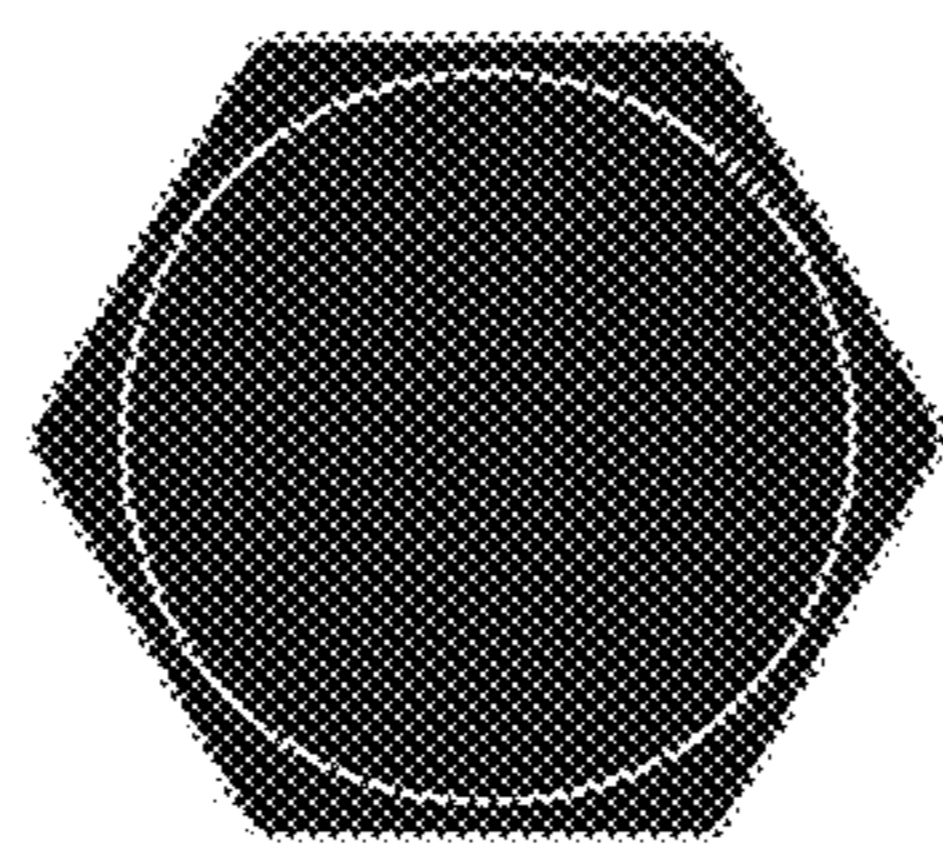


FIG. 26

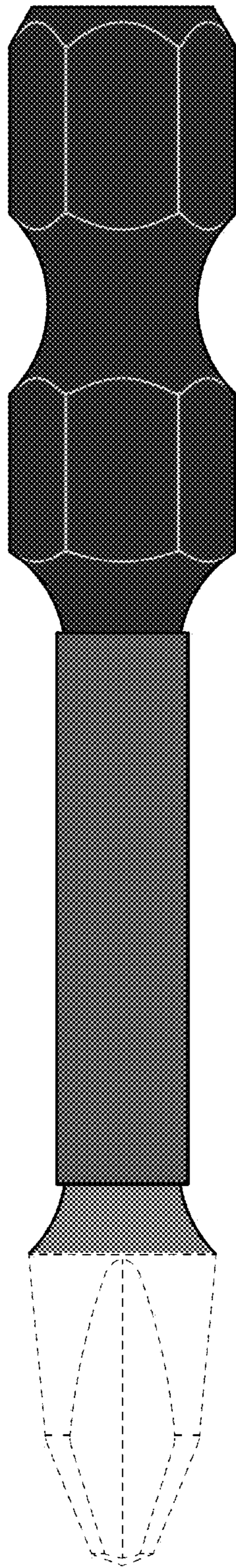


FIG. 27

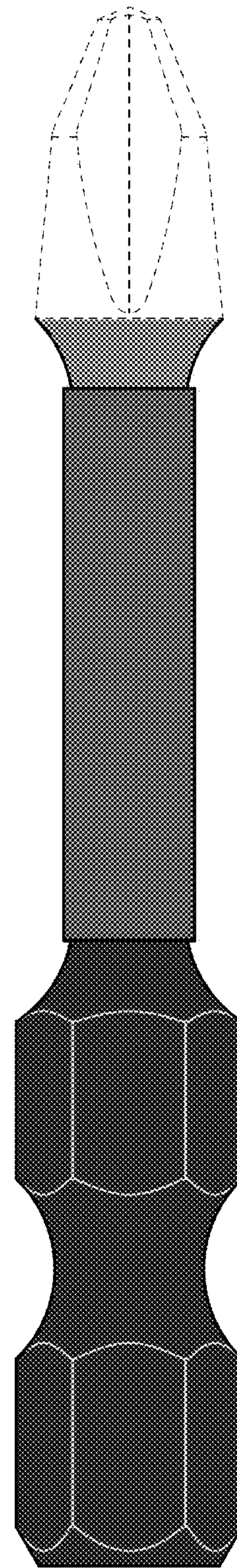


FIG. 28