



US00D933441S

(12) **United States Design Patent** (10) **Patent No.:** **US D933,441 S**
Metcalfe (45) **Date of Patent:** **** Oct. 19, 2021**

(54) **WOOD ROUTER EASY CIRCLE**
(71) Applicant: **Harold Metcalfe**, Franklin, IN (US)
(72) Inventor: **Harold Metcalfe**, Franklin, IN (US)
(**) Term: **15 Years**
(21) Appl. No.: **29/716,814**
(22) Filed: **Dec. 12, 2019**
(51) **LOC (13) Cl.** **08-05**
(52) **U.S. Cl.**
USPC **D8/70**
(58) **Field of Classification Search**
USPC D8/61, 62, 64, 66-69, 70, 71; D15/124,
D15/134, 140
CPC B27C 5/04
See application file for complete search history.

D410,934 S * 6/1999 Etter D15/127
5,983,968 A 11/1999 Newman
D512,893 S * 12/2005 Cowan D8/70
7,089,978 B2 8/2006 Karkosch et al.
7,261,132 B1 8/2007 Duplessis
D646,541 S * 10/2011 Andresen D8/70
9,726,469 B2 8/2017 Adkins et al.
D835,498 S * 12/2018 Rassat D8/381
2004/0182476 A1 9/2004 Karkosch et al.
2006/0032553 A1 2/2006 Williams

* cited by examiner

Primary Examiner — Michael C Stout
Assistant Examiner — Fritzgerald L Butac
(74) *Attorney, Agent, or Firm* — Boudwin Intellectual Property; Daniel Boudwin

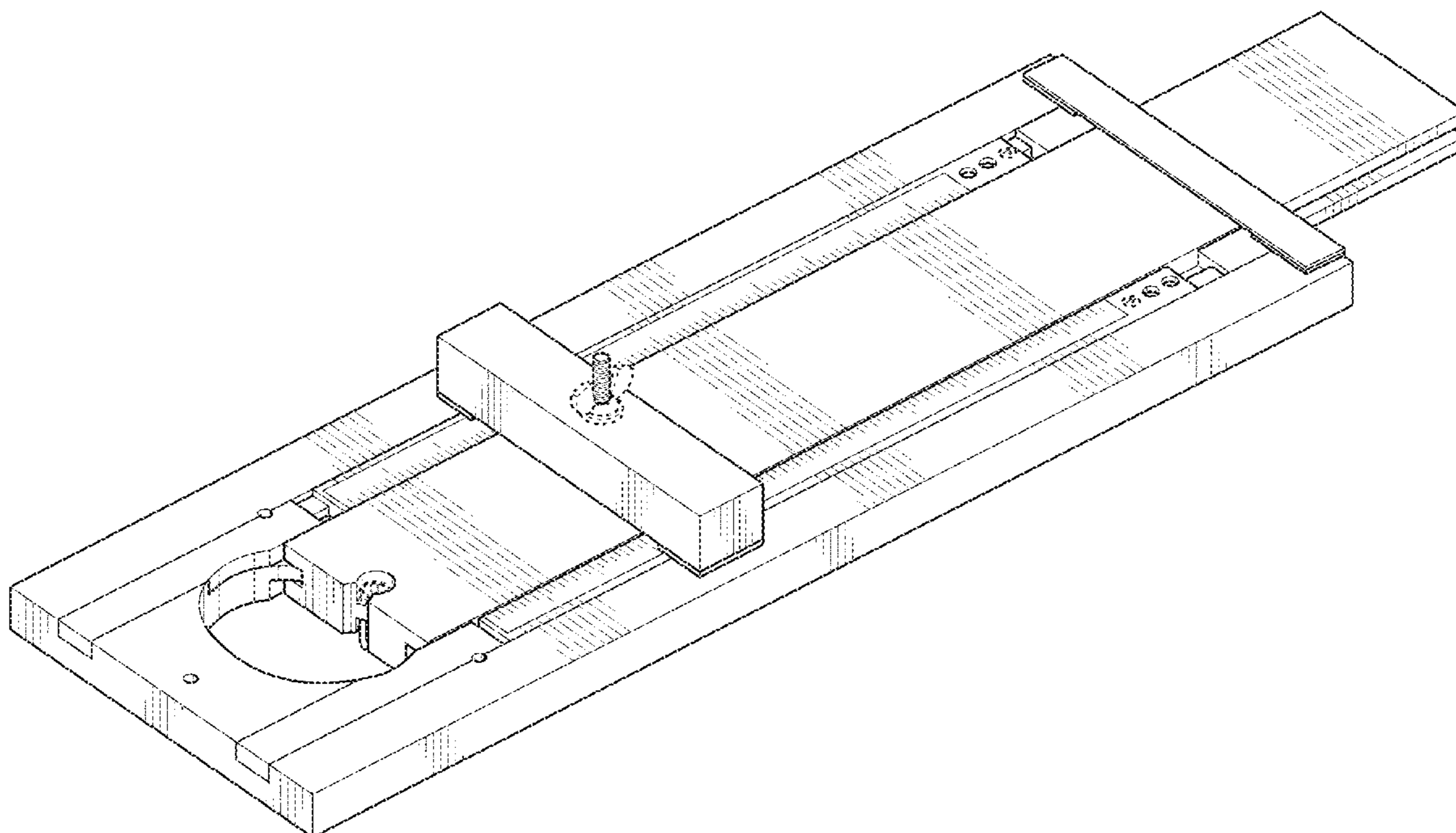
(57) **CLAIM**
The ornamental design for a wood router easy circle, as shown and described.

DESCRIPTION

(56) **References Cited**
U.S. PATENT DOCUMENTS
4,281,570 A * 8/1981 Hill B25H 1/04
144/286.1
4,290,719 A * 9/1981 Worthington B23C 1/20
144/136.95
4,320,678 A * 3/1982 Volk B23D 49/162
269/87.2
D268,819 S * 5/1983 Ellis D10/64
D272,711 S * 2/1984 Griset D10/71
D306,250 S * 2/1990 Kyrklund 144/144.52
D335,884 S * 5/1993 Seals D15/140
D337,501 S * 7/1993 Witt D8/70
D337,502 S * 7/1993 Witt D8/70
D338,821 S * 8/1993 Witt D8/71
D351,775 S * 10/1994 Wedler D8/70
D353,314 S * 12/1994 Jaslow D8/70
D367,484 S * 2/1996 Johnson D15/141

FIG. 1 shows a perspective view of a wood router easy circle.
FIG. 2 shows a top plan view of the wood router easy circle.
FIG. 3 shows a bottom plan view of the wood router easy circle.
FIG. 4 shows a right side elevation view of the wood router easy circle.
FIG. 5 shows a left side elevation view of the wood router easy circle.
FIG. 6 shows a front elevation view of the wood router easy circle; and,
FIG. 7 shows a rear elevation view of the wood router easy circle.
The broken lines show portions of a wood router easy circle that form no part of the claimed design.

1 Claim, 4 Drawing Sheets



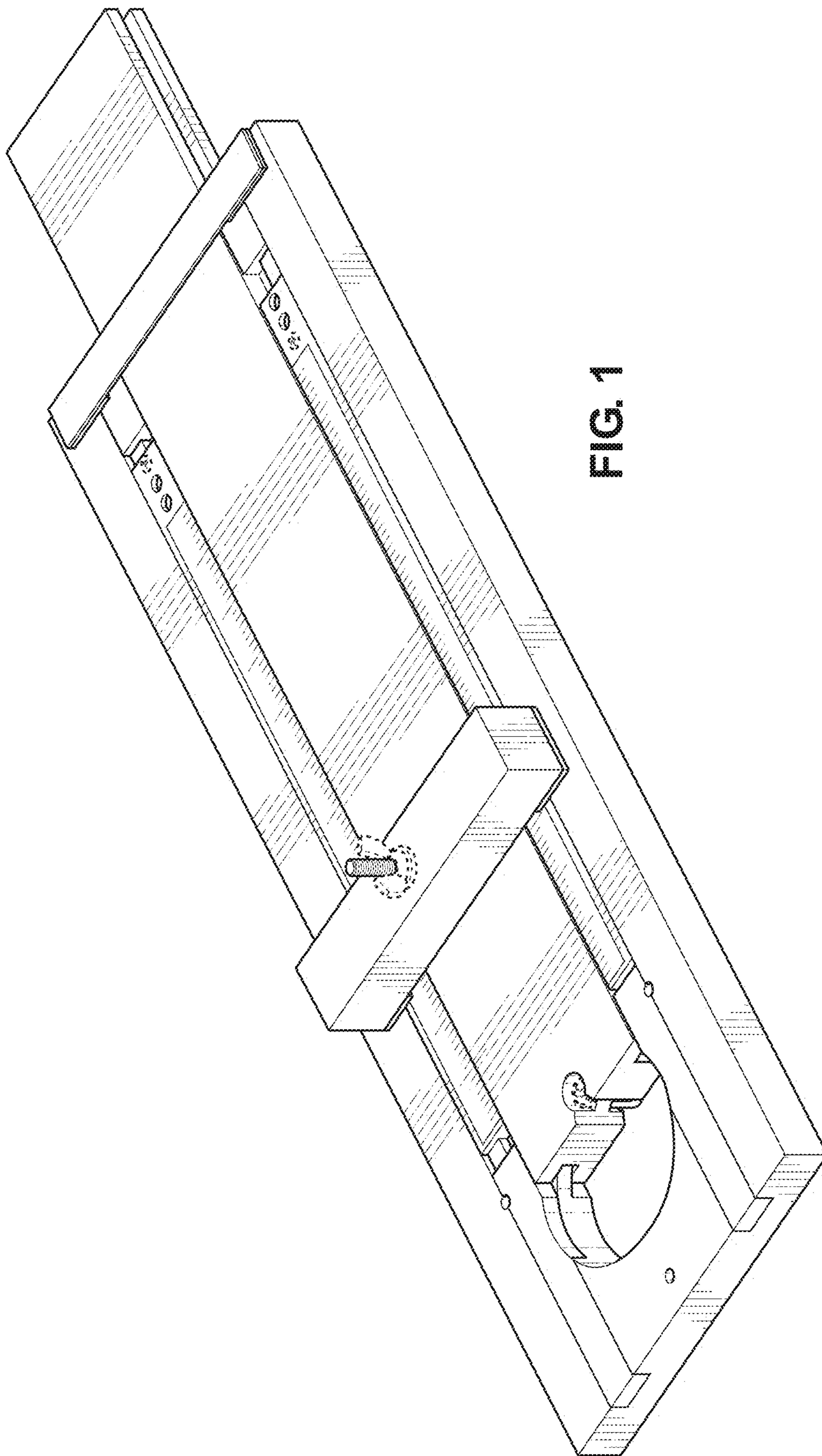


FIG. 1

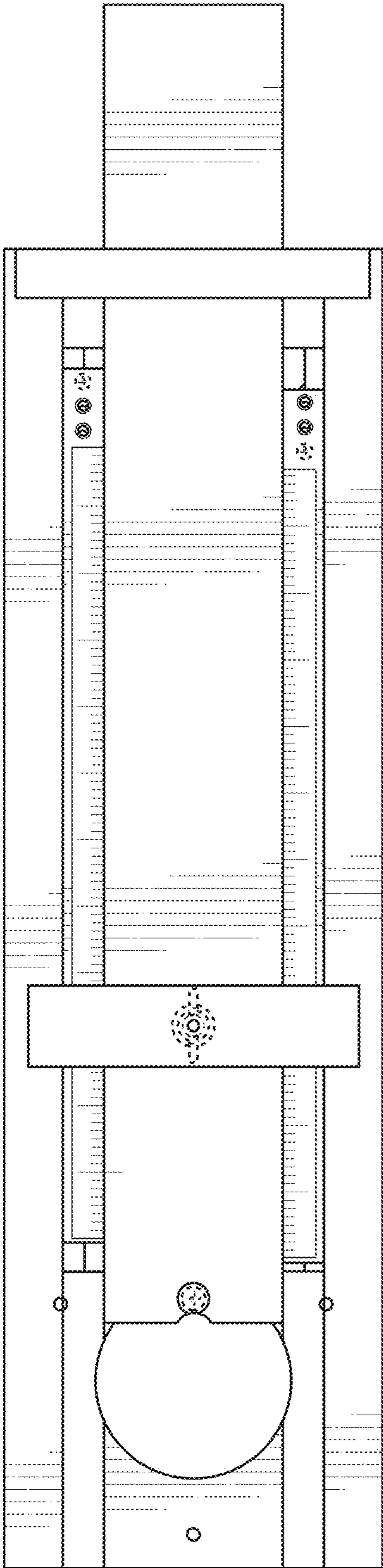


FIG. 2

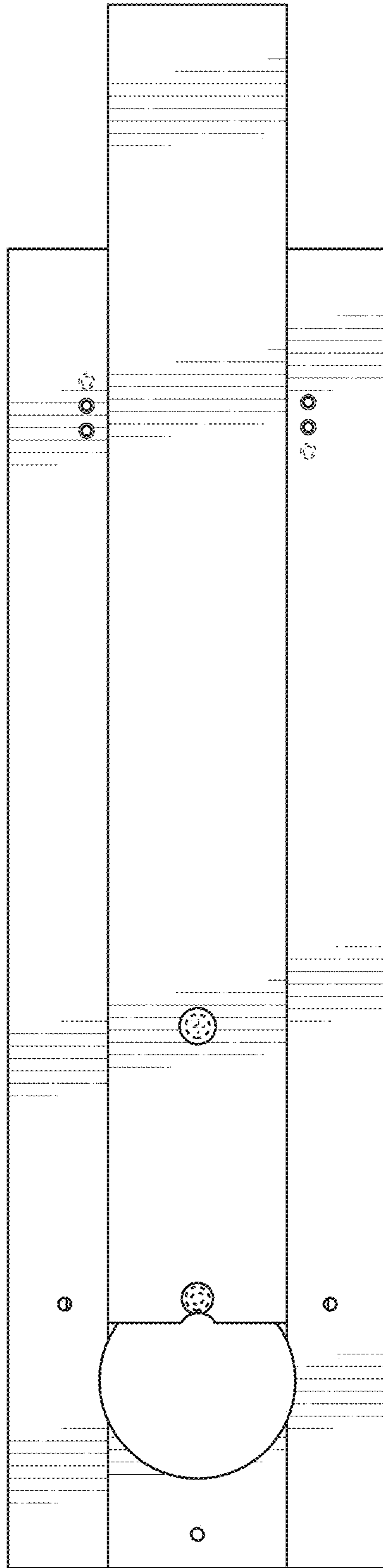


FIG. 3

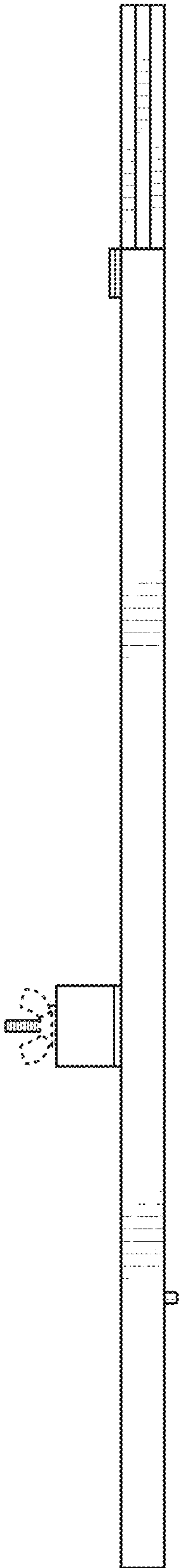


FIG. 4

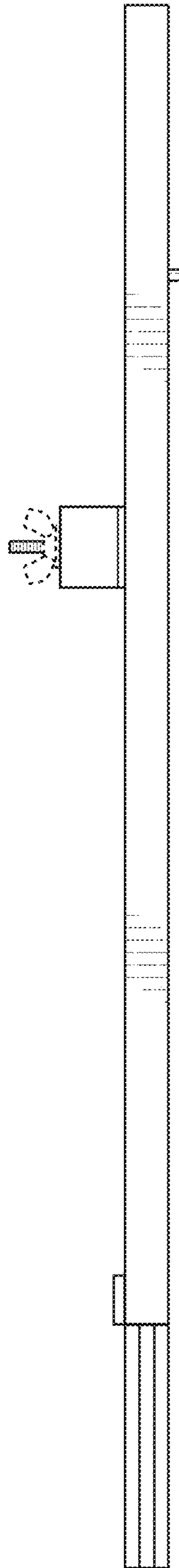


FIG. 5

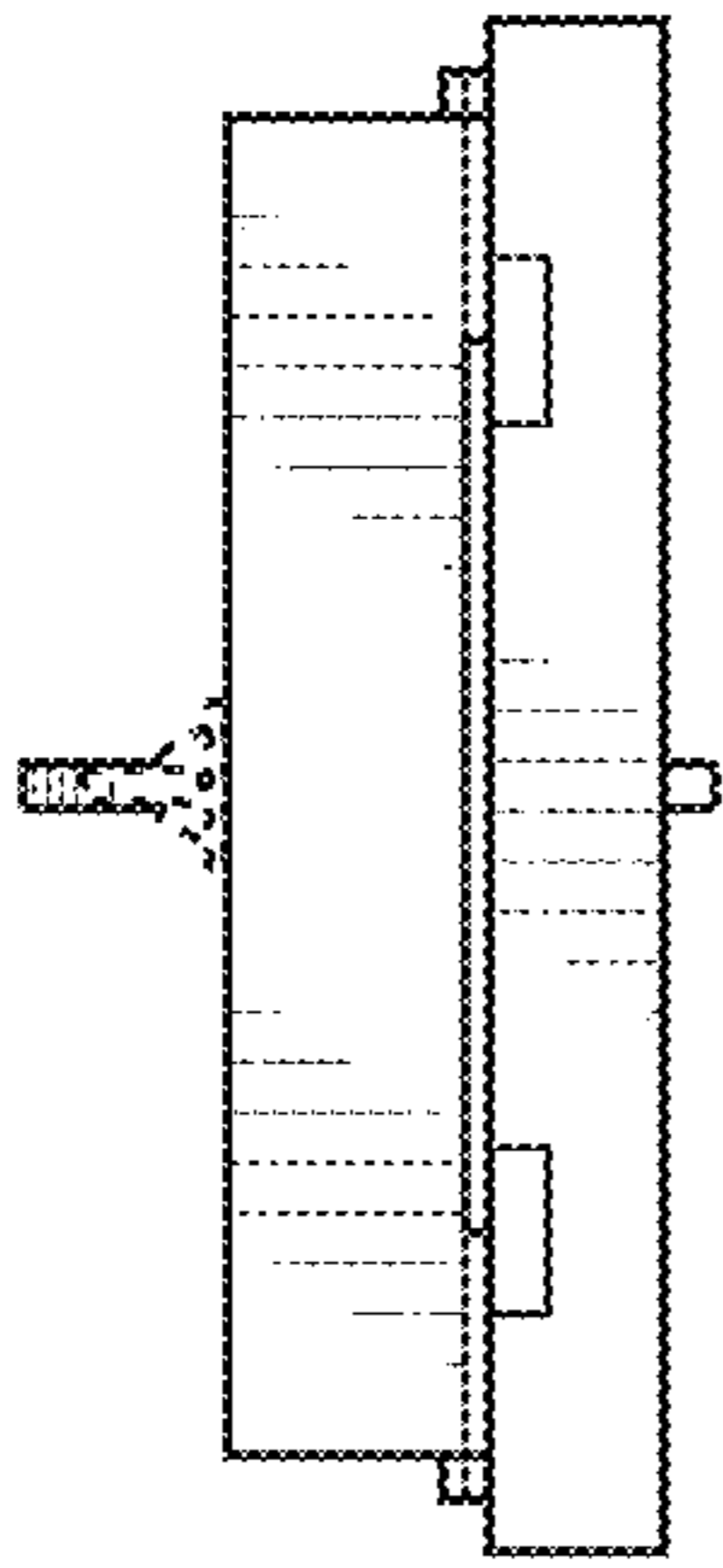


FIG. 6

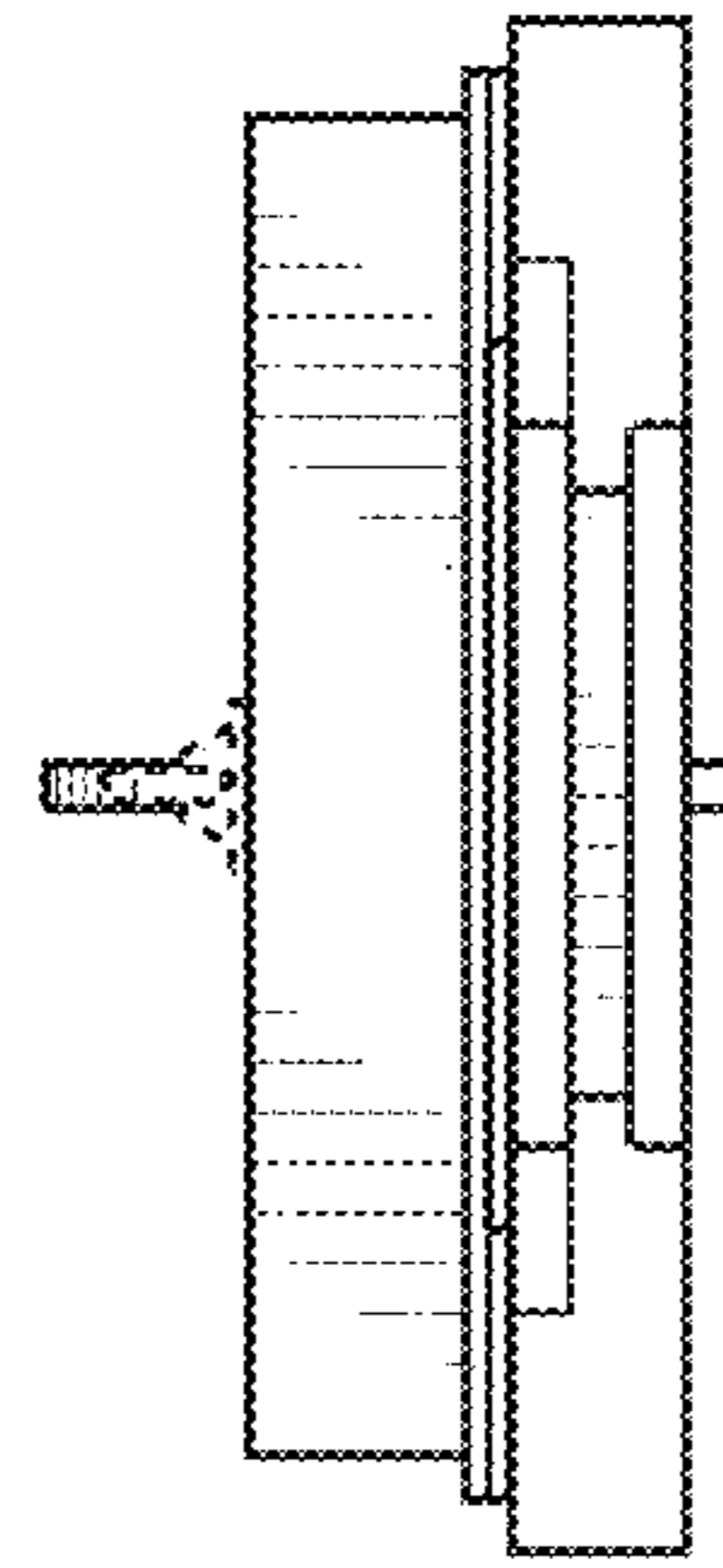


FIG. 7