

US00D933437S

(12) **United States Design Patent**
Hung Tai

(10) **Patent No.:** **US D933,437 S**

(45) **Date of Patent:** **** Oct. 19, 2021**

- (54) **PEELER**
- (71) Applicant: **KAI R&D CENTER CO., LTD.**, Gifu (JP)
- (72) Inventor: **Wong Hung Tai**, Gifu (JP)
- (73) Assignee: **KAI R&D CENTER CO., LTD.**, Gifu (JP)

7,421,786 B2 * 9/2008 Dorion A47J 17/02
30/114
D611,314 S * 3/2010 Eide D7/694
D631,712 S * 2/2011 Hull D7/693
D821,829 S * 7/2018 Krus D7/693
2015/0282658 A1 * 10/2015 Wong B26B 3/04
30/114
2017/0251857 A1 * 9/2017 Krus A47J 25/00

- (**) Term: **15 Years**
- (21) Appl. No.: **29/723,206**

- (22) Filed: **Feb. 5, 2020**
- (51) **LOC (13) Cl.** **07-04**
- (52) **U.S. Cl.**
USPC **D7/693**
- (58) **Field of Classification Search**
USPC D7/669, 368, 680-696
CPC .. A47J 25/00; A47J 23/00; A47J 17/02; A47J
17/00; A47J 17/04; A47J 17/08; A47J
17/10; A47J 43/00; B26D 3/26; B26D
3/06; B26B 27/002
See application file for complete search history.

(56) **References Cited**

U.S. PATENT DOCUMENTS

D515,884 S * 2/2006 Holcomb D7/673
7,055,247 B2 * 6/2006 Kaposi A47J 9/005
30/114
7,080,454 B2 * 7/2006 Holcomb A47J 17/02
30/114

OTHER PUBLICATIONS

Amazon.com, Avoquado 4 in 1 tool Arugula, pp. 1-6, first date available Mar. 1, 2017. (Year: 2017).*

* cited by examiner

Primary Examiner — Terry A Wallace
(74) *Attorney, Agent, or Firm* — Schmeiser, Olsen & Watts, LLP

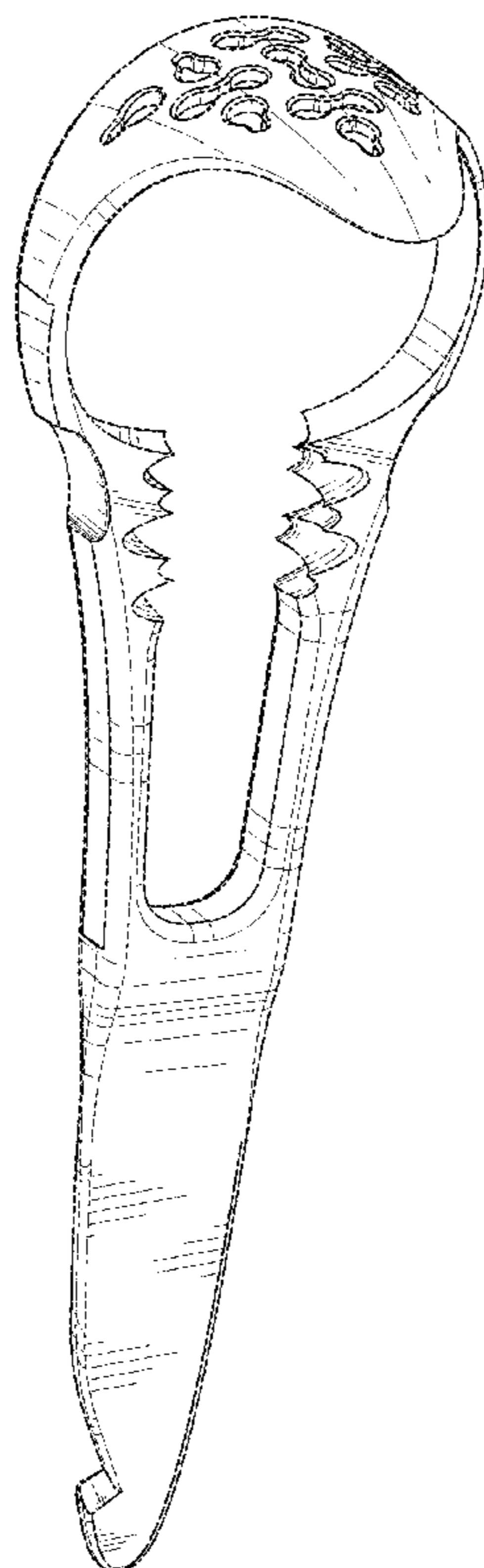
(57) **CLAIM**

The ornamental design for a peeler, as shown and described.

DESCRIPTION

FIG. 1 is a front view of a peeler showing my new design;
FIG. 2 is a rear view thereof;
FIG. 3 is a left view thereof;
FIG. 4 is a right view thereof;
FIG. 5 is a top view thereof;
FIG. 6 is a bottom view thereof; and,
FIG. 7 is a perspective view thereof.

1 Claim, 6 Drawing Sheets



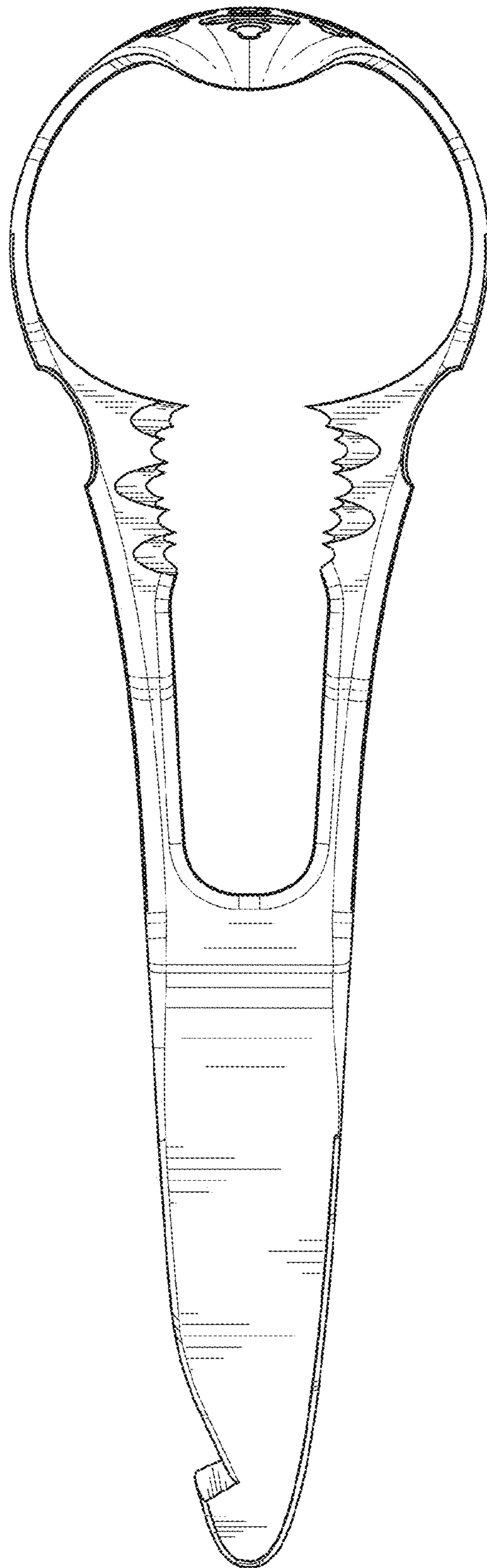


FIG. 1

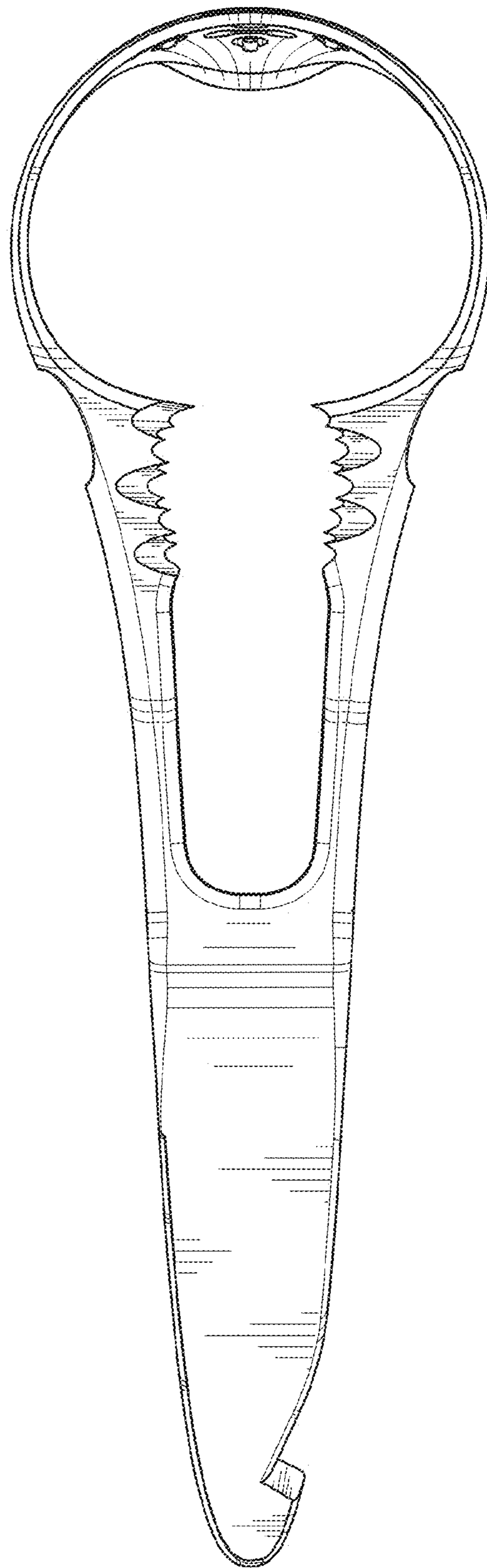


FIG. 2

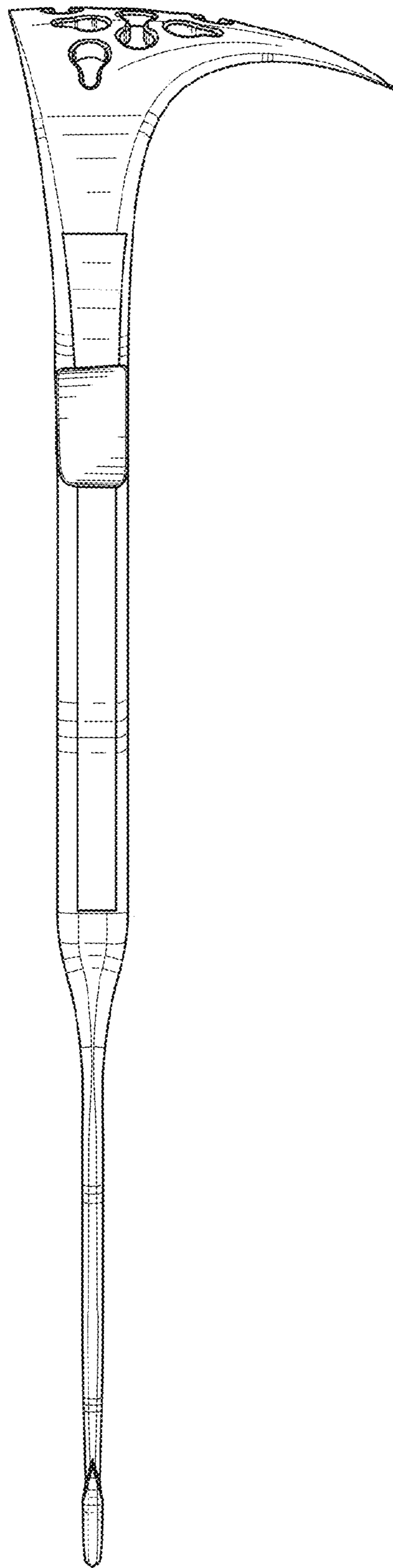


FIG.3

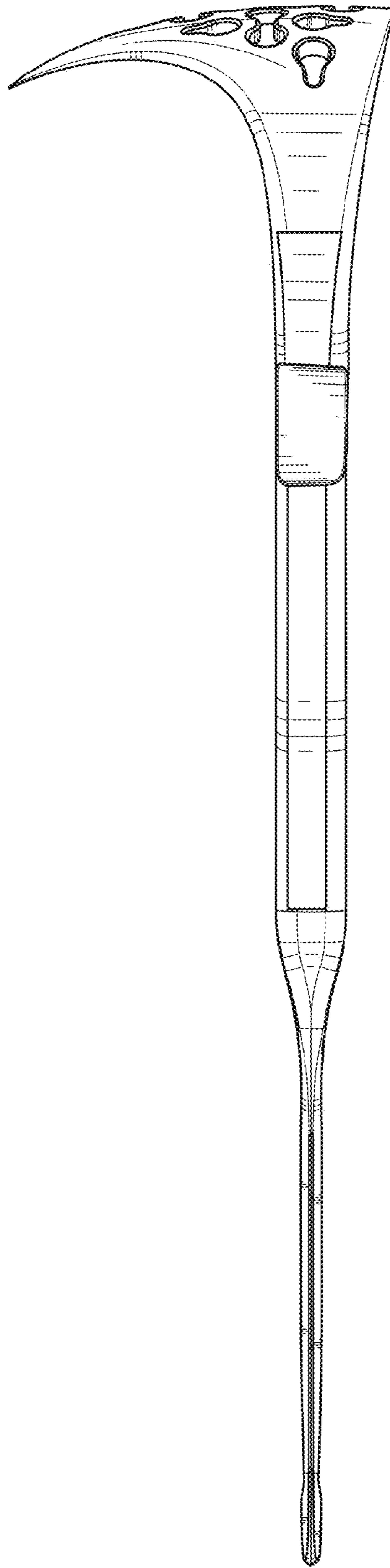


FIG.4

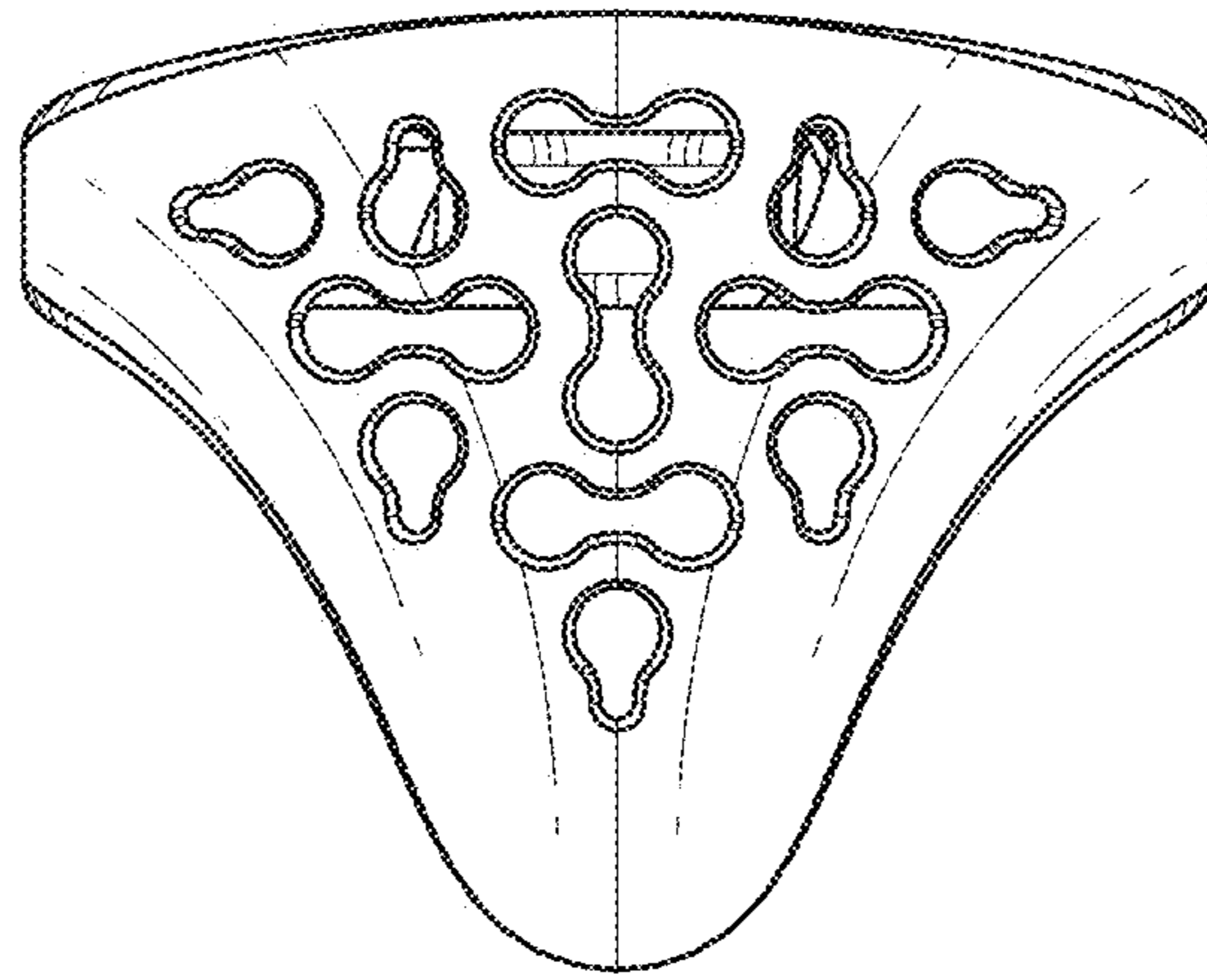


FIG. 5

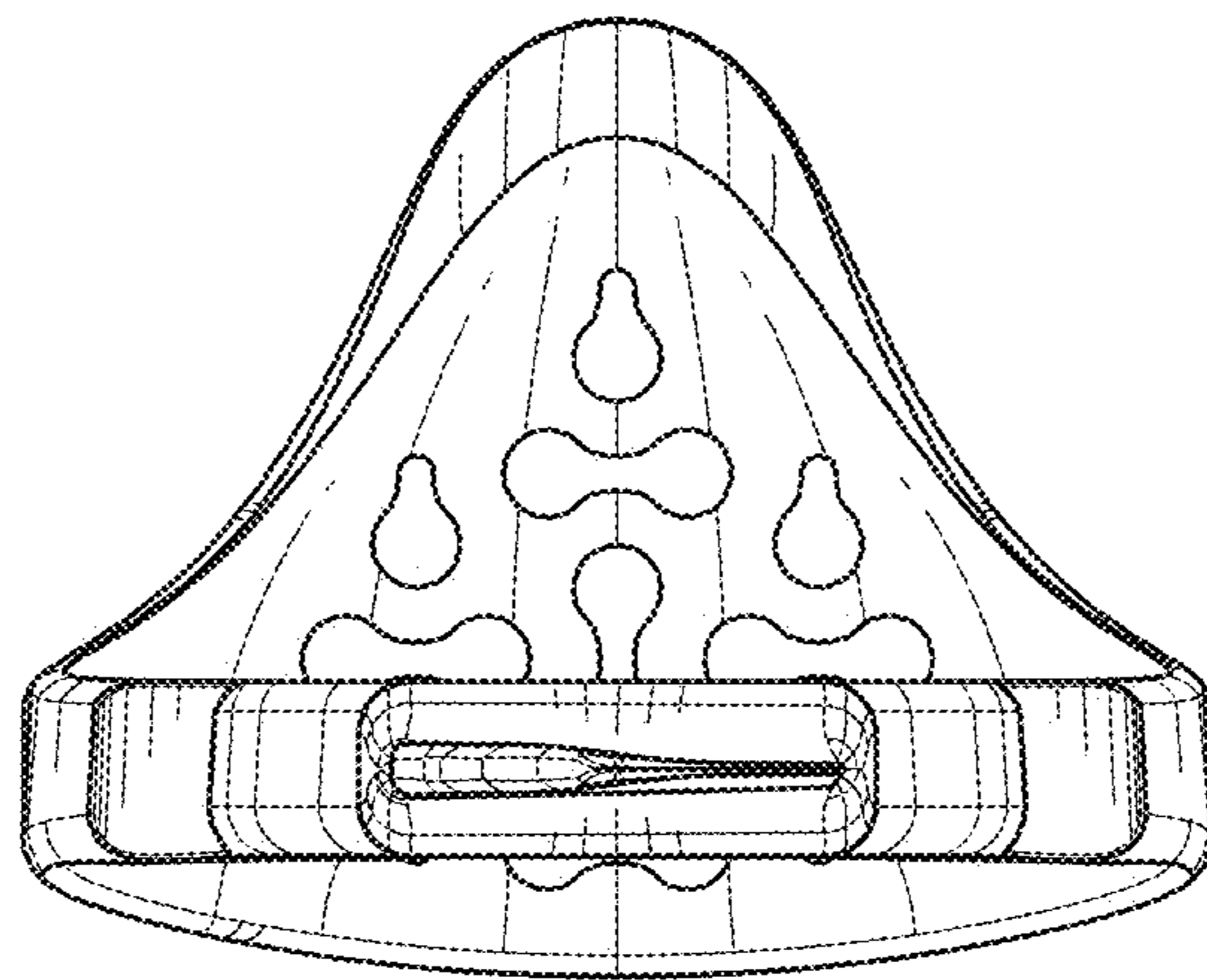


FIG. 6

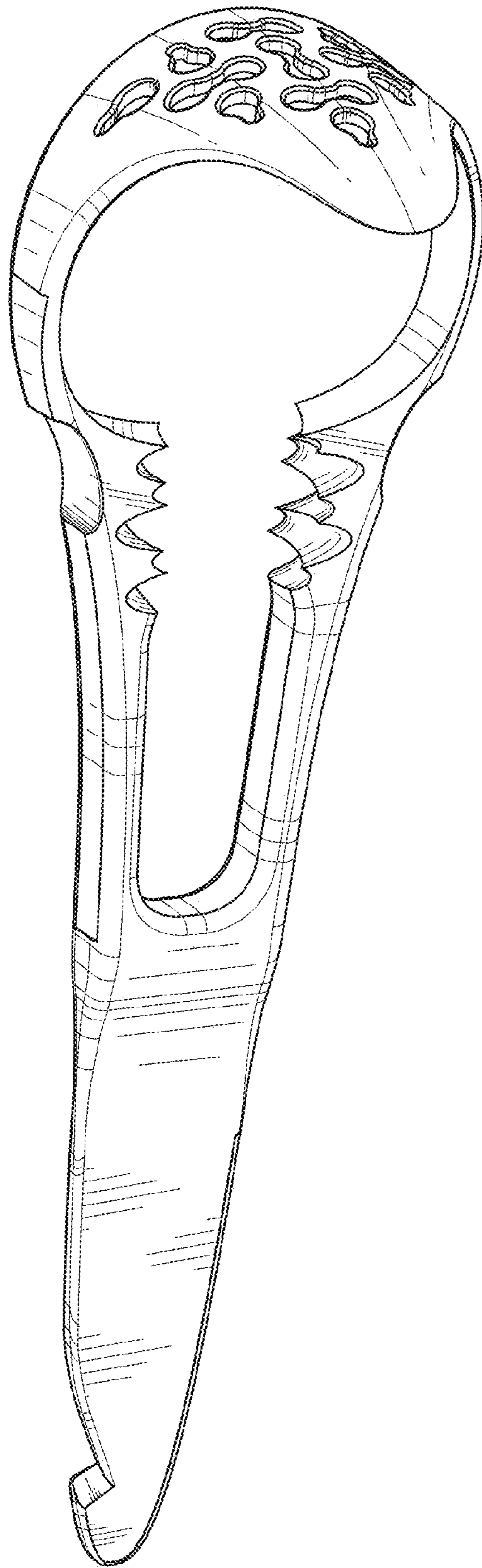


FIG.7