



US00D933435S

(12) **United States Design Patent** (10) **Patent No.:** **US D933,435 S**
Fan (45) **Date of Patent:** **** Oct. 19, 2021**

(54) **MEAT TENDERIZER**
(71) Applicant: **Xiaoxia Fan**, Guangzhou (CN)
(72) Inventor: **Xiaoxia Fan**, Guangzhou (CN)
(**) Term: **15 Years**

7,862,408 B1 * 1/2011 Weinstein A22C 9/007
452/146
D753,963 S * 4/2016 Wong D7/682
2006/0019589 A1 * 1/2006 Wangler A22C 9/007
452/102

(21) Appl. No.: **29/739,843**
(22) Filed: **Jun. 30, 2020**
(30) **Foreign Application Priority Data**

OTHER PUBLICATIONS

Amazon.com, Kitchen Aid Gourmet Meat Tenderizer, Lifetime Brands, ASIN KO119OHOBA, pp. 1-5, date first available Mar. 26, 2019 (Year: 2019).*

Jun. 17, 2020 (CN) 202030311197.7
(51) **LOC (13) Cl.** **07-04**
(52) **U.S. Cl.**
USPC **D7/682**
(58) **Field of Classification Search**
USPC D7/368, 669, 680-696
CPC A22C 9/00; A22C 9/001; A22C 9/004;
A22C 9/007; A22C 9/008; A47J 19/00;
A47J 19/04
See application file for complete search history.

* cited by examiner

Primary Examiner — Terry A Wallace
(74) *Attorney, Agent, or Firm* — Bayramoglu Law Offices LLC

(56) **References Cited**
U.S. PATENT DOCUMENTS
576,281 A * 2/1897 Schofield A22C 9/008
452/146
1,996,949 A * 4/1935 Bosworth A22C 9/007
452/146
5,593,346 A * 1/1997 Washington A22C 9/00
452/146
D506,905 S * 7/2005 Lee D7/682

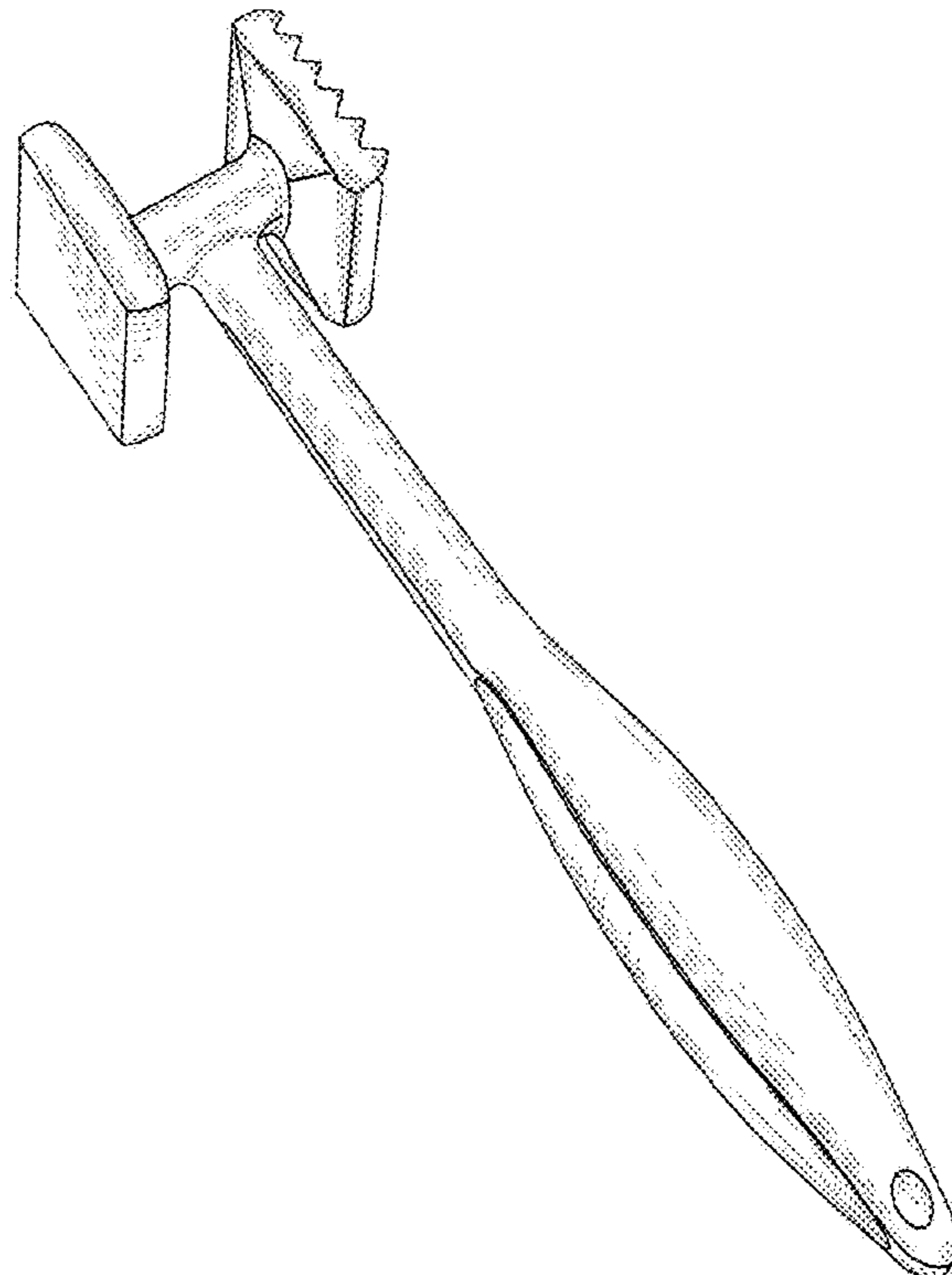
(57) **CLAIM**

The ornamental design for a meat tenderizer, as shown and described.

DESCRIPTION

FIG. 1 is a perspective view of a meat tenderizer showing my new design;
FIG. 2 is a front view thereof;
FIG. 3 is a rear view thereof;
FIG. 4 is a left side view thereof;
FIG. 5 is a right side view thereof;
FIG. 6 is a top view thereof; and,
FIG. 7 is a bottom view thereof.

1 Claim, 7 Drawing Sheets



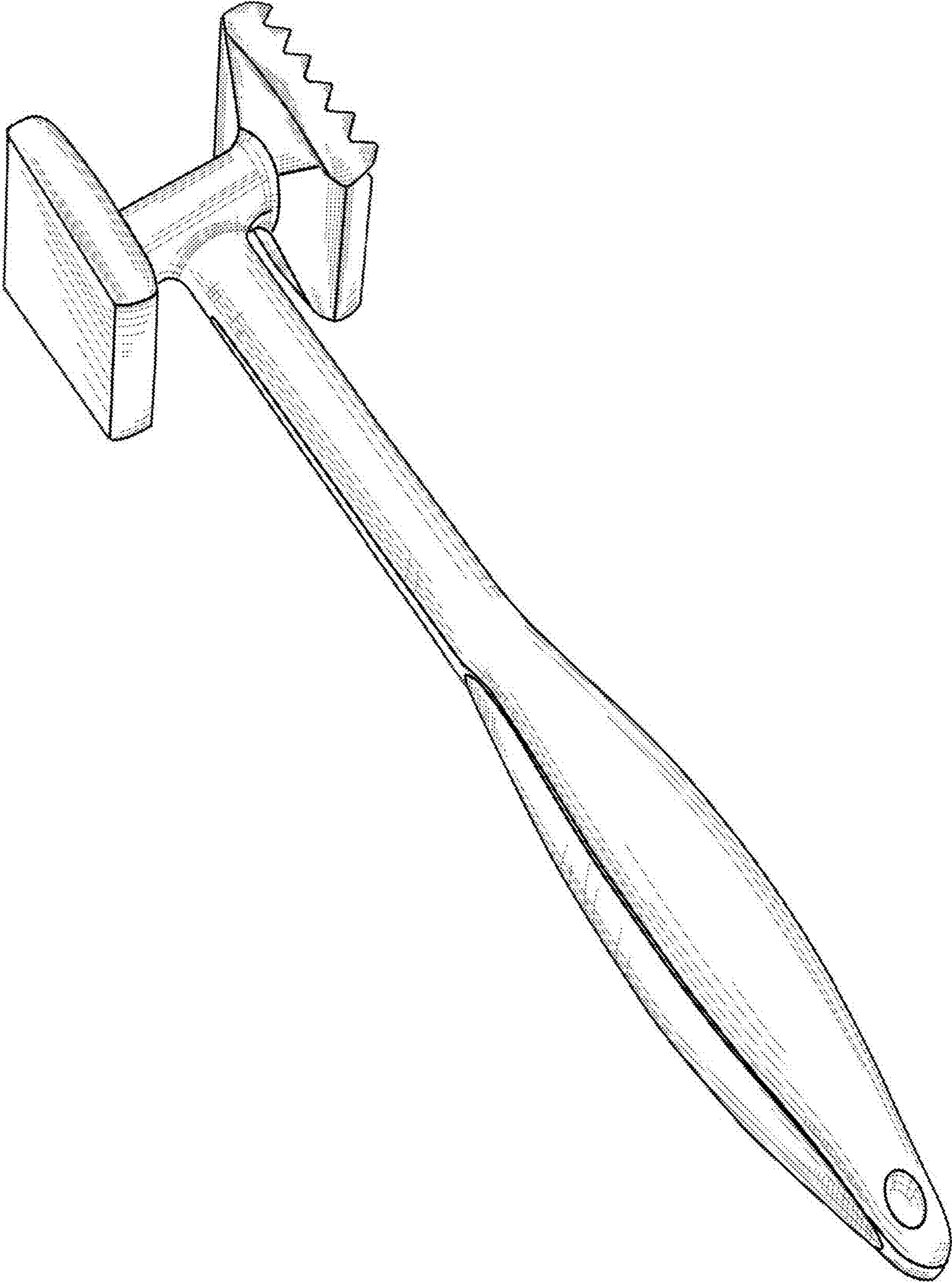


FIG. 1

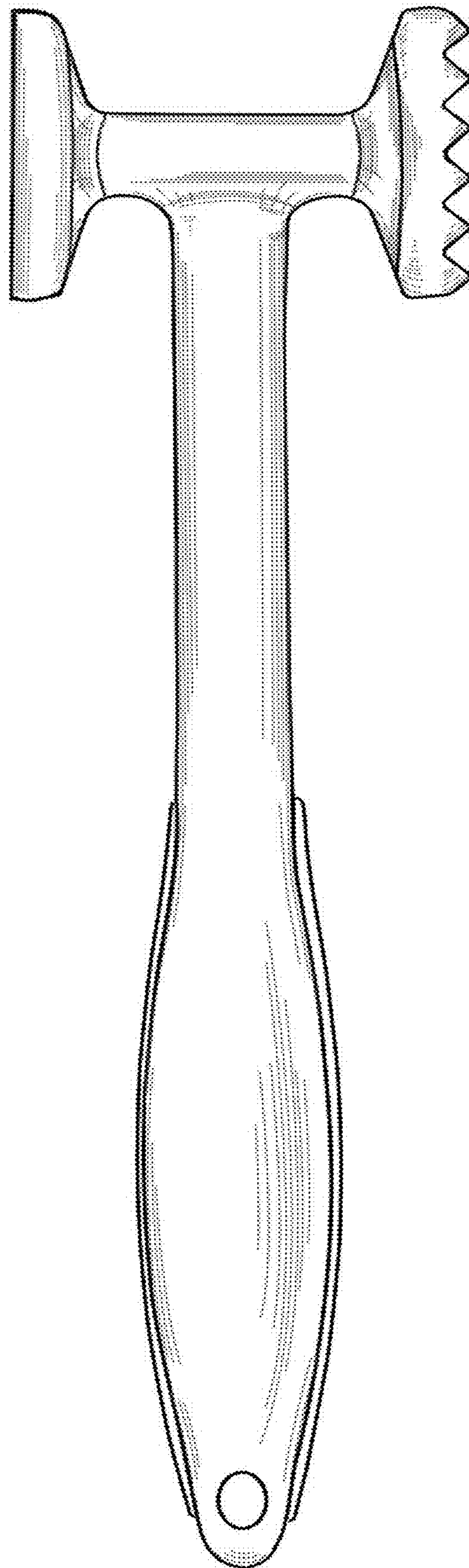


FIG. 2

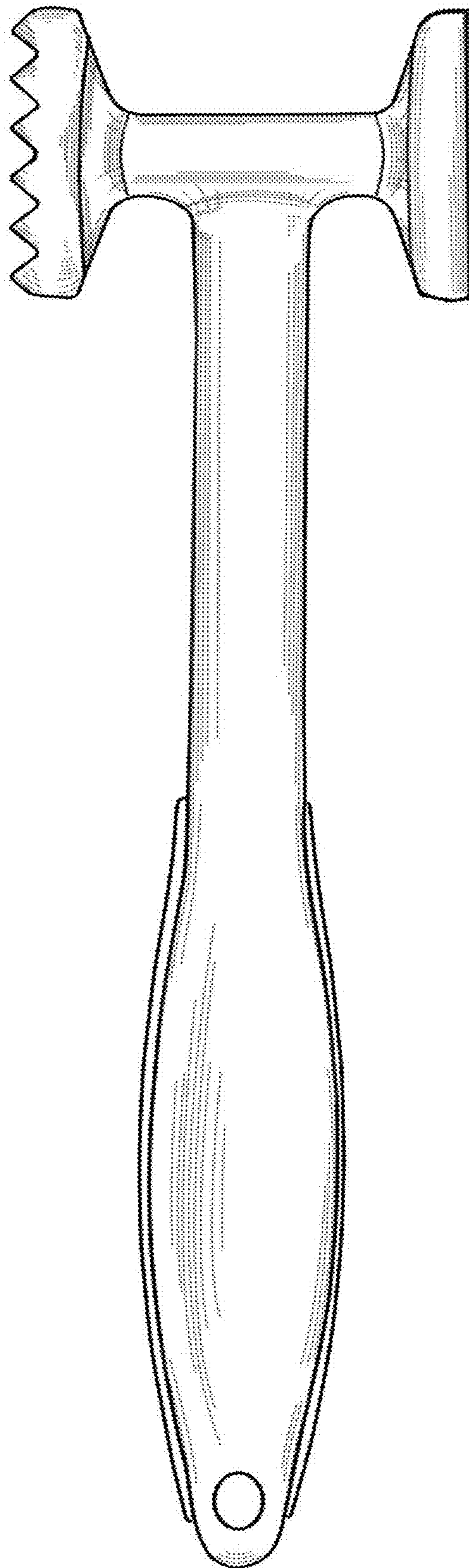


FIG. 3

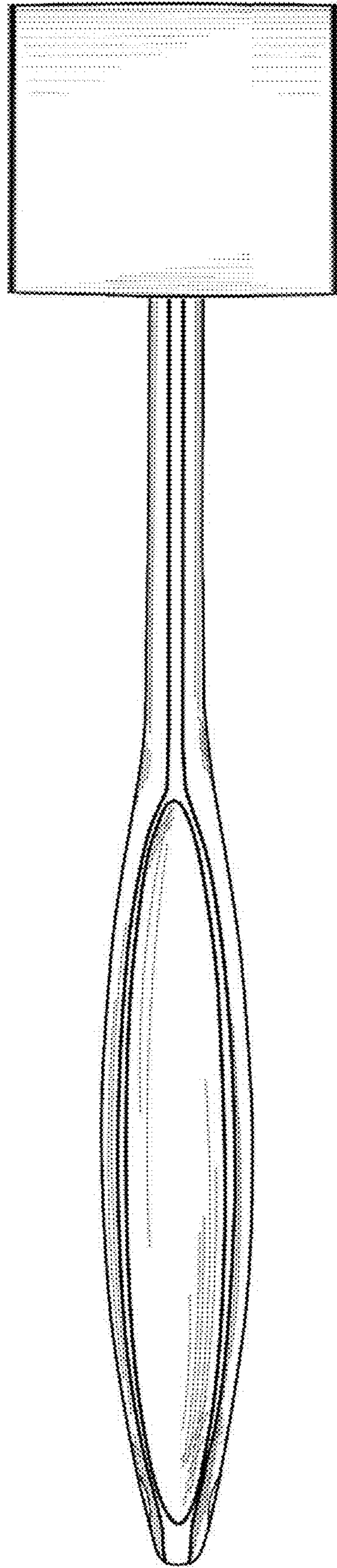


FIG. 4

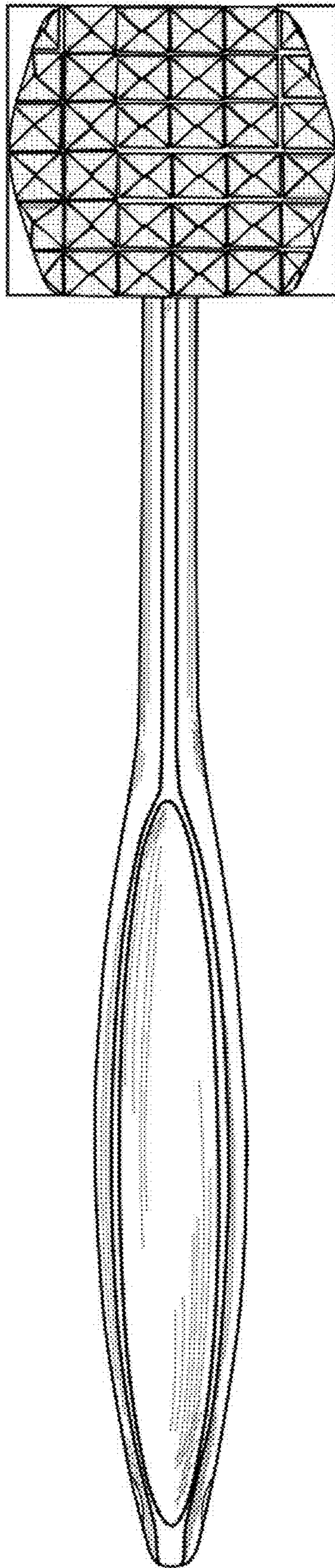


FIG. 5

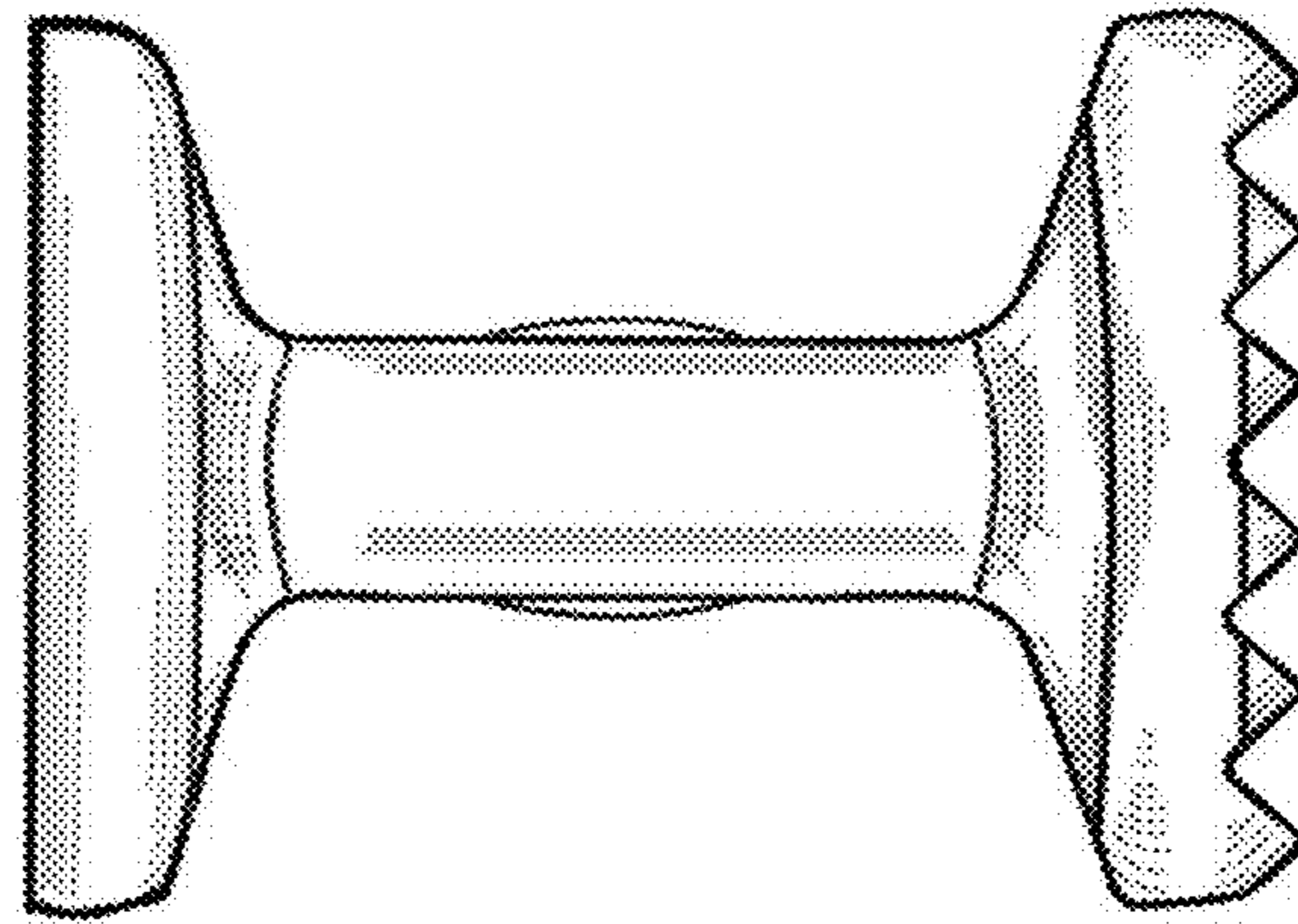


FIG. 6

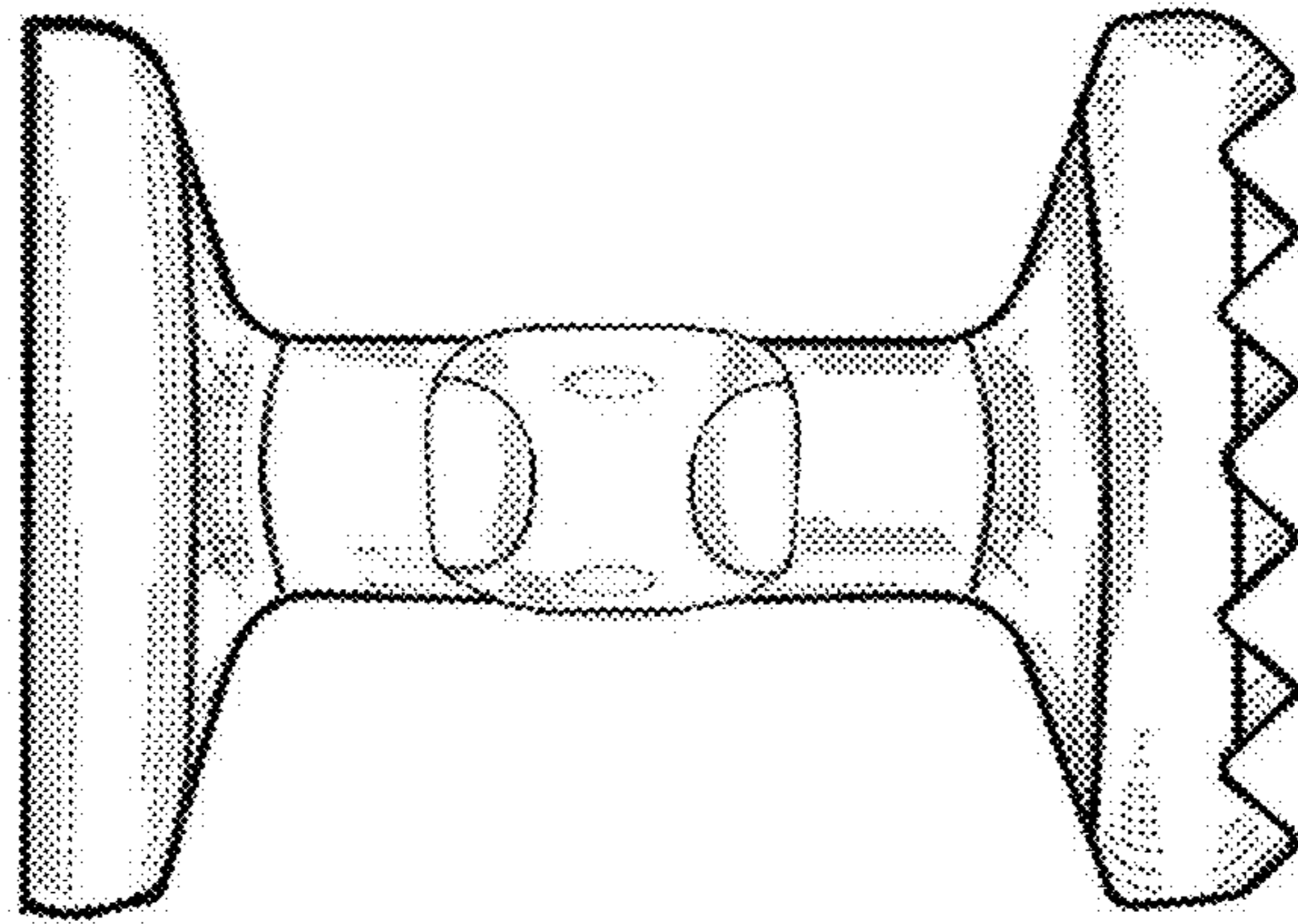


FIG. 7