



US00D933434S

(12) **United States Design Patent**
Pattipati

(10) **Patent No.:** **US D933,434 S**

(45) **Date of Patent:** **** Oct. 19, 2021**

(54) **JUICE EXTRACTING APPARATUS**

(71) Applicant: **Venkateswara Prasad Pattipati,**
Rancho Cucamonga, CA (US)

(72) Inventor: **Venkateswara Prasad Pattipati,**
Rancho Cucamonga, CA (US)

(**) Term: **15 Years**

(21) Appl. No.: **29/745,519**

(22) Filed: **Aug. 6, 2020**

(51) **LOC (13) Cl.** **07-04**

(52) **U.S. Cl.**
USPC **D7/666**

(58) **Field of Classification Search**

USPC D7/665, 666
CPC .. A47J 19/06; A47J 19/00; A47J 19/02; A47J
19/005; A47J 19/023; A47J 19/04; A47J
43/286; B30B 9/04; B30B 9/02

See application file for complete search history.

(56) **References Cited**

U.S. PATENT DOCUMENTS

256,372 A 4/1882 Rex
713,034 A 11/1902 White
2,288,393 A 6/1942 Cheesman

3,016,075 A 1/1962 Mantelet
6,196,122 B1 * 3/2001 Lai A47J 19/06
99/495
D521,816 S * 5/2006 So D7/665
7,395,753 B2 * 7/2008 Dorion A47J 19/023
99/495
D803,013 S * 11/2017 Cheng D7/665
10,736,456 B2 * 8/2020 Junfola B30B 9/02

* cited by examiner

Primary Examiner — Terry A Wallace

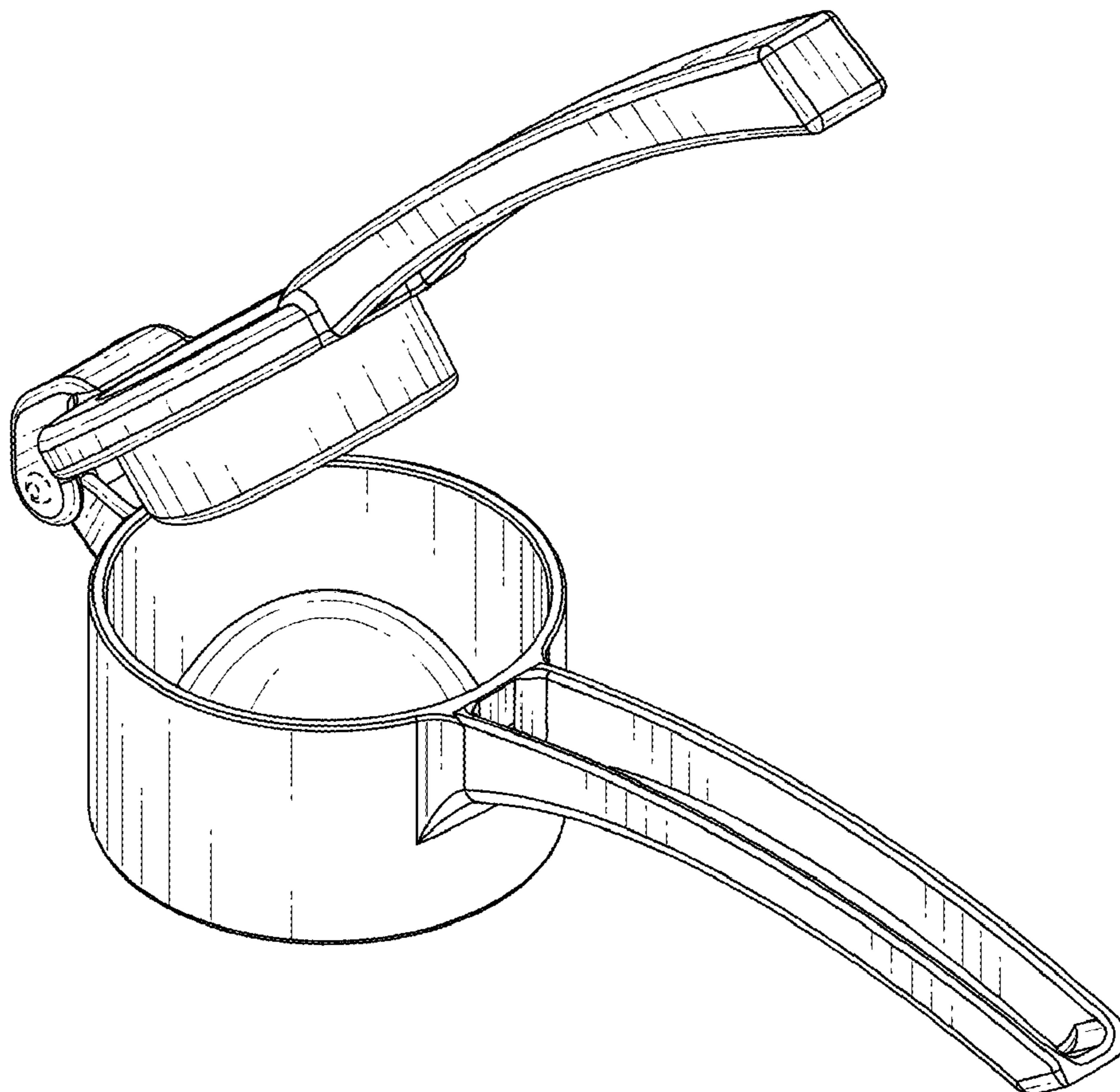
(57) **CLAIM**

The ornamental design for a juice extracting apparatus, as shown and described.

DESCRIPTION

FIG. 1 is a perspective view of a juice extracting apparatus showing my new design;
FIG. 2 is another perspective view thereof;
FIG. 3 is yet another perspective view thereof;
FIG. 4 is a front elevational view thereof;
FIG. 5 is a rear elevational view thereof;
FIG. 6 is a top plan view thereof;
FIG. 7 is a bottom view thereof; and,
FIG. 8 is a right-side elevational view thereof, the left-side elevational view being a mirror image thereof.
The broken lines showing of hinge in FIGS. 1-8 are included for the purpose of showing environmental structure and form no part of the claimed design.

1 Claim, 8 Drawing Sheets



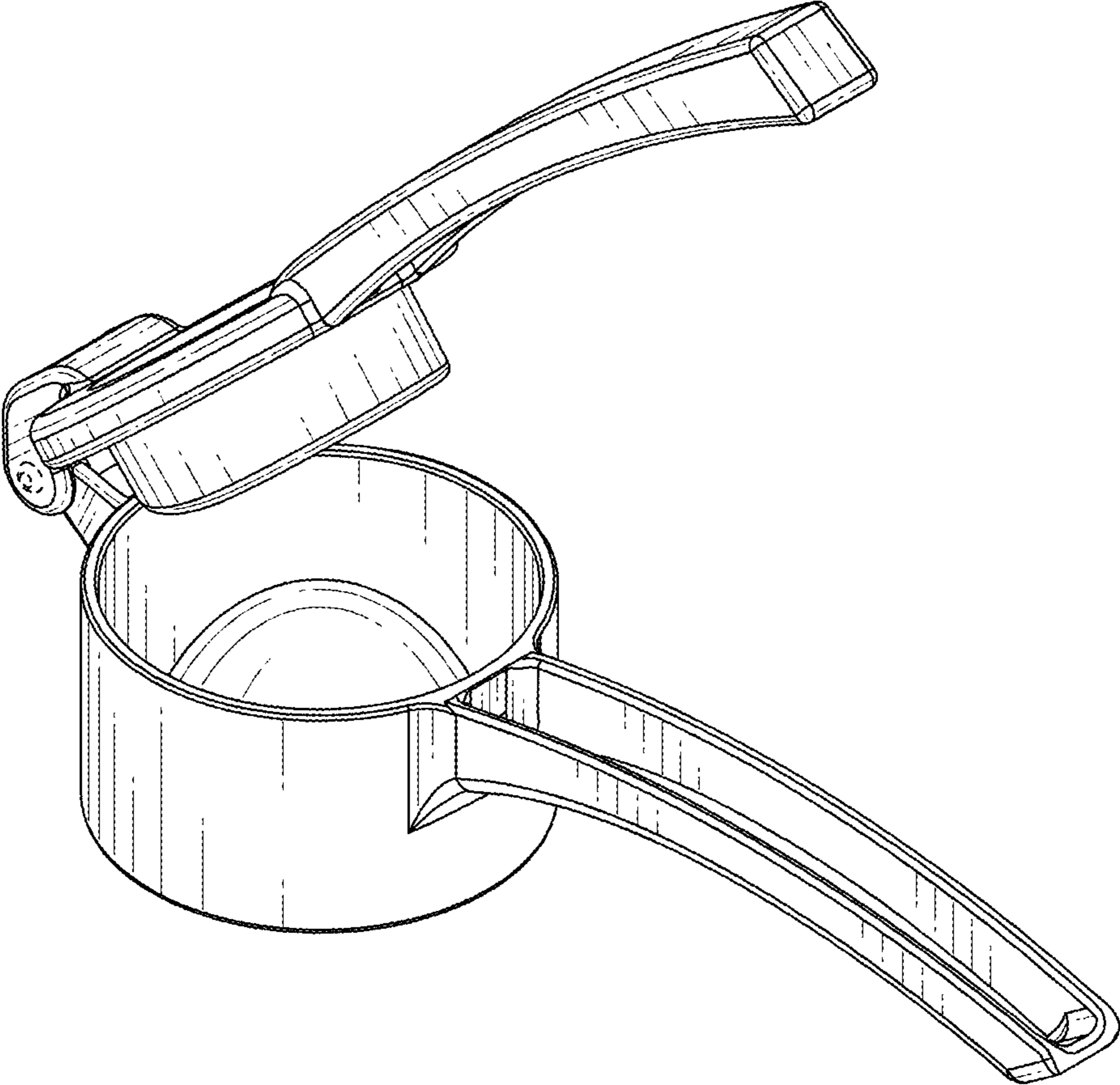


FIG. 1

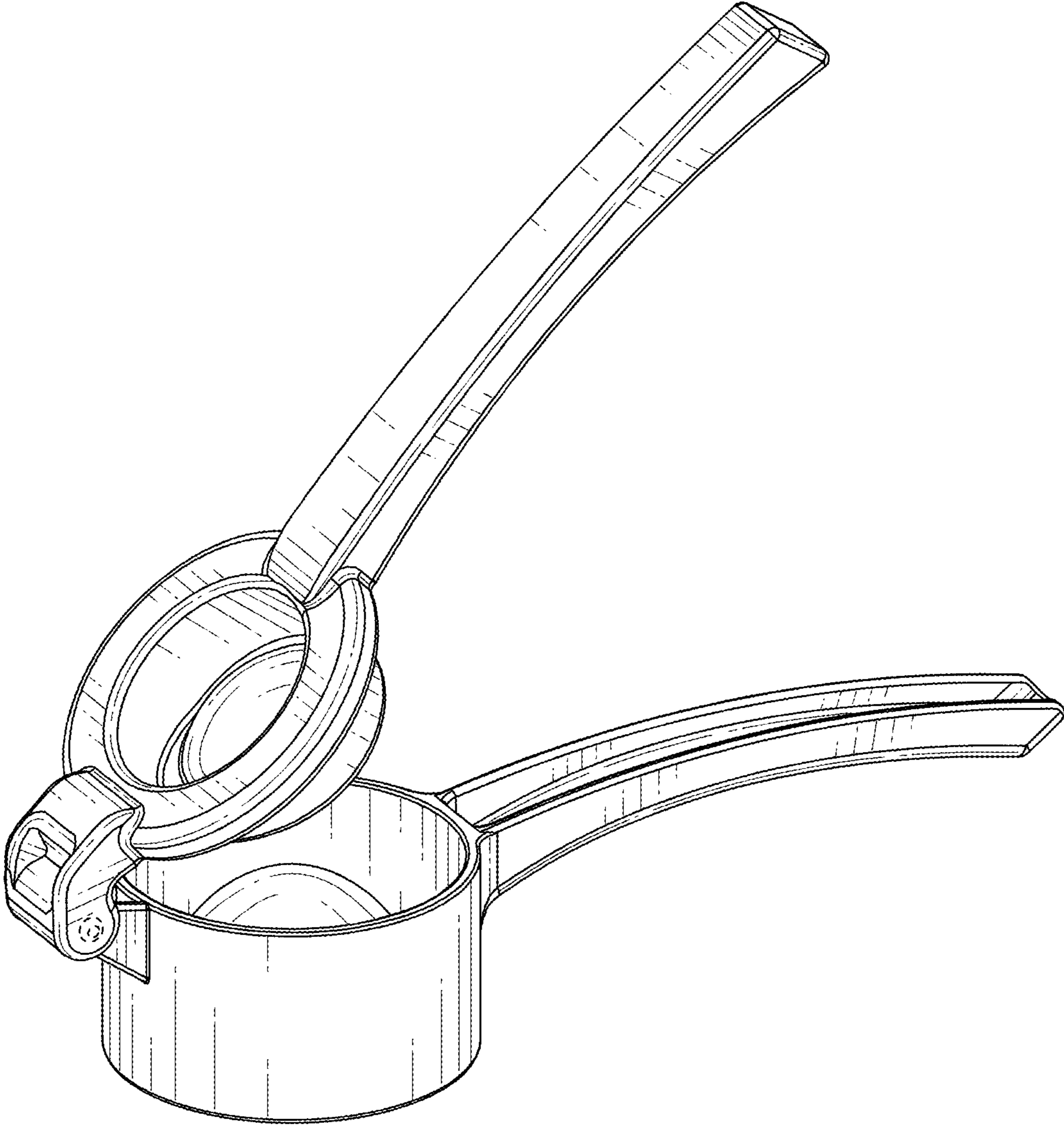


FIG. 2

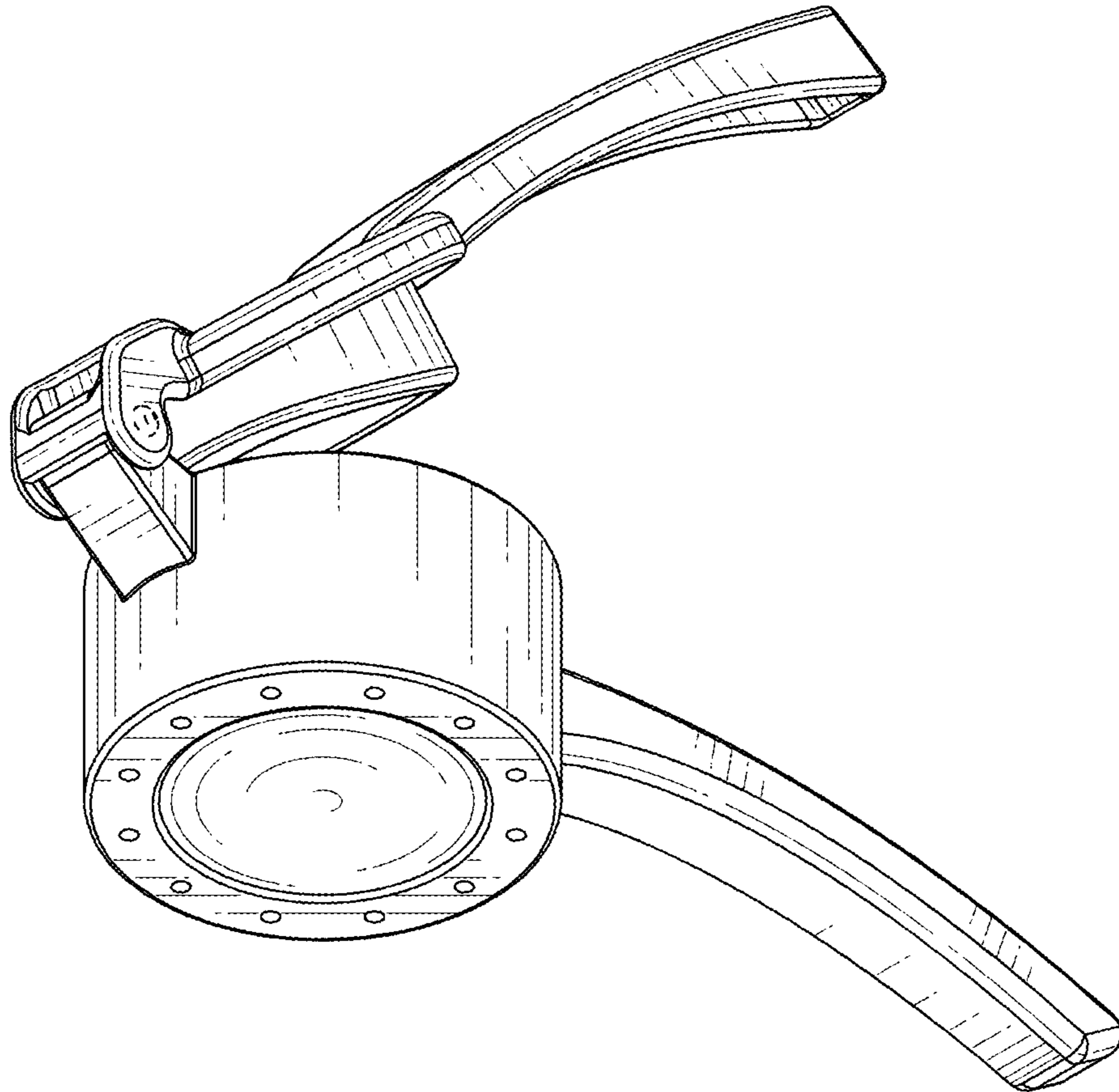


FIG. 3

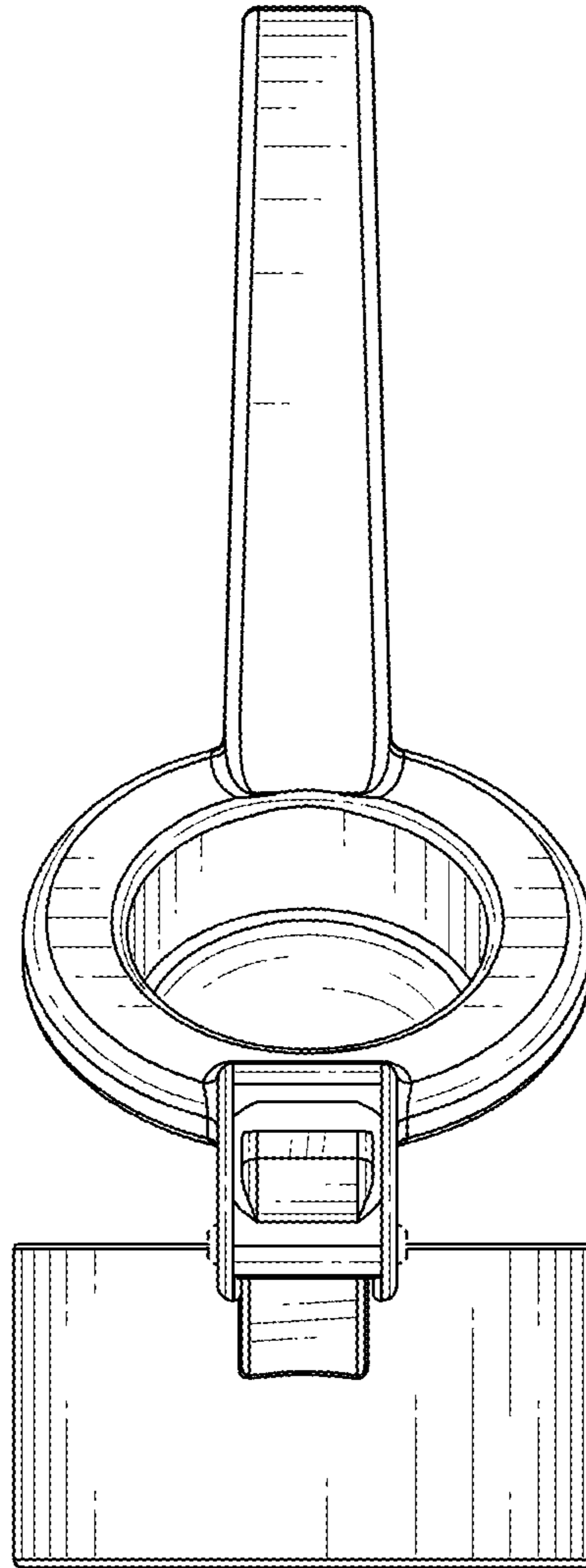


FIG. 4

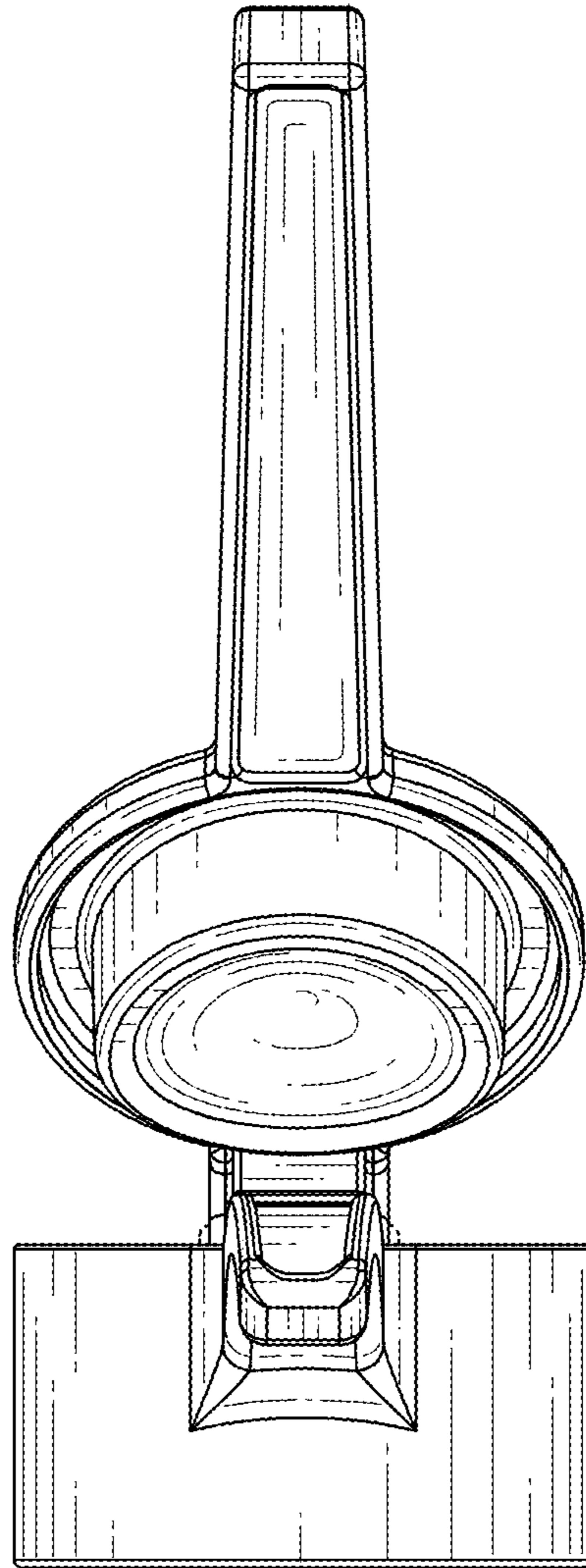


FIG. 5

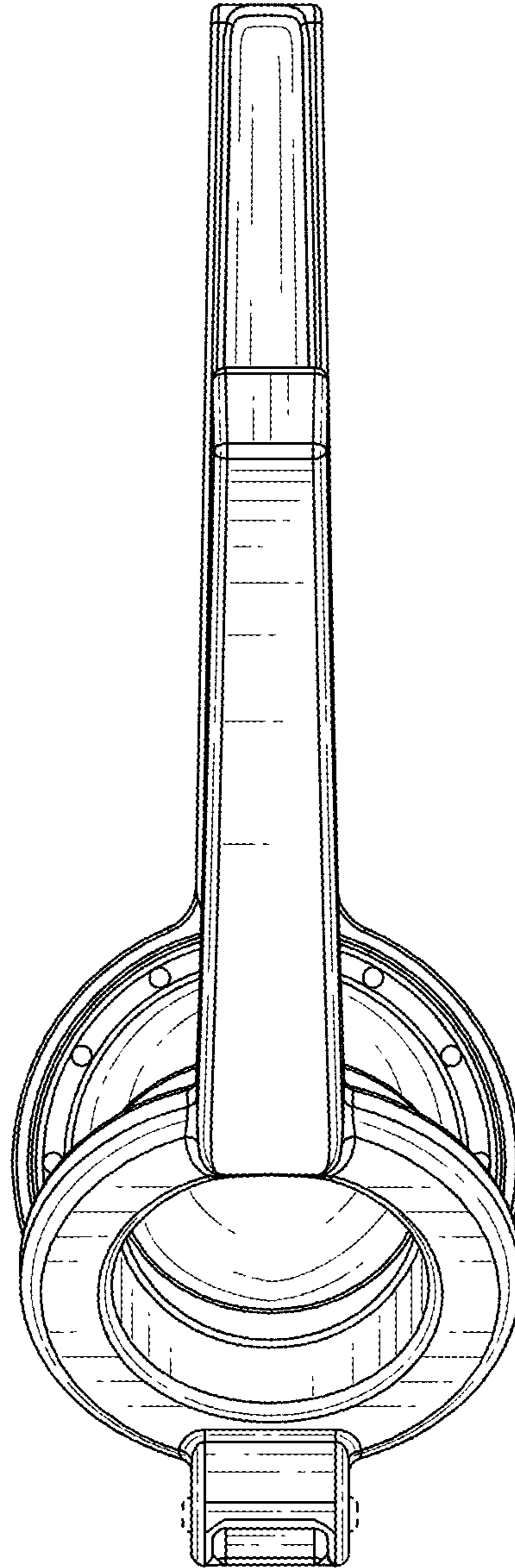


FIG. 6

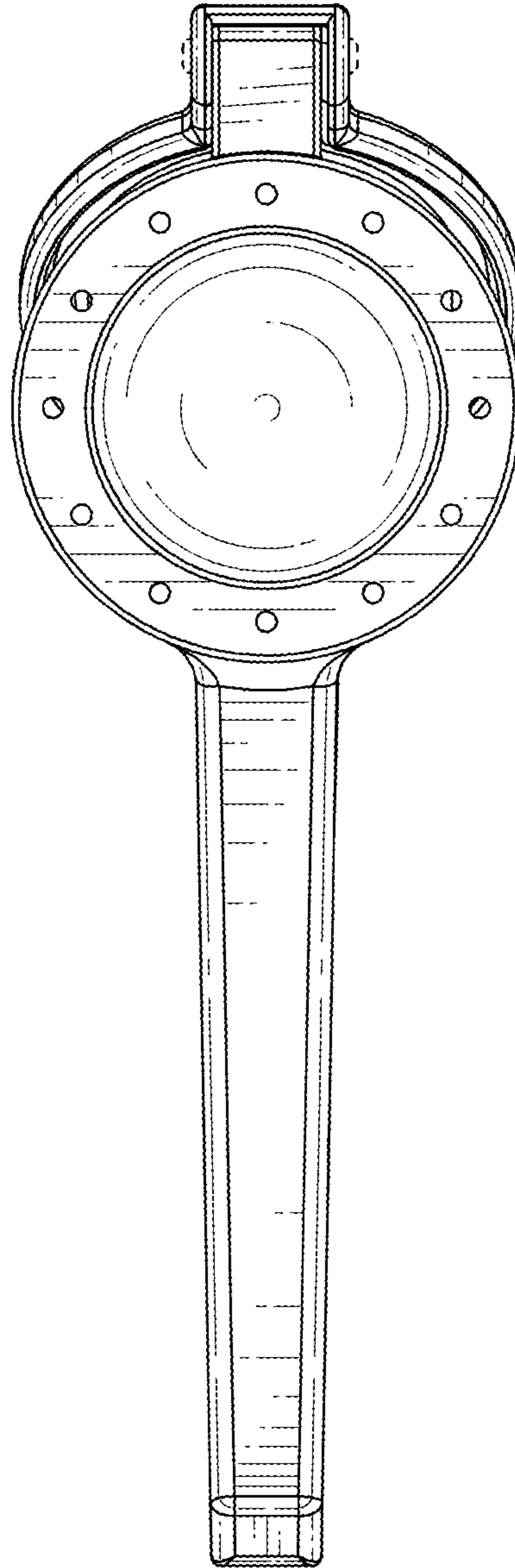


FIG. 7

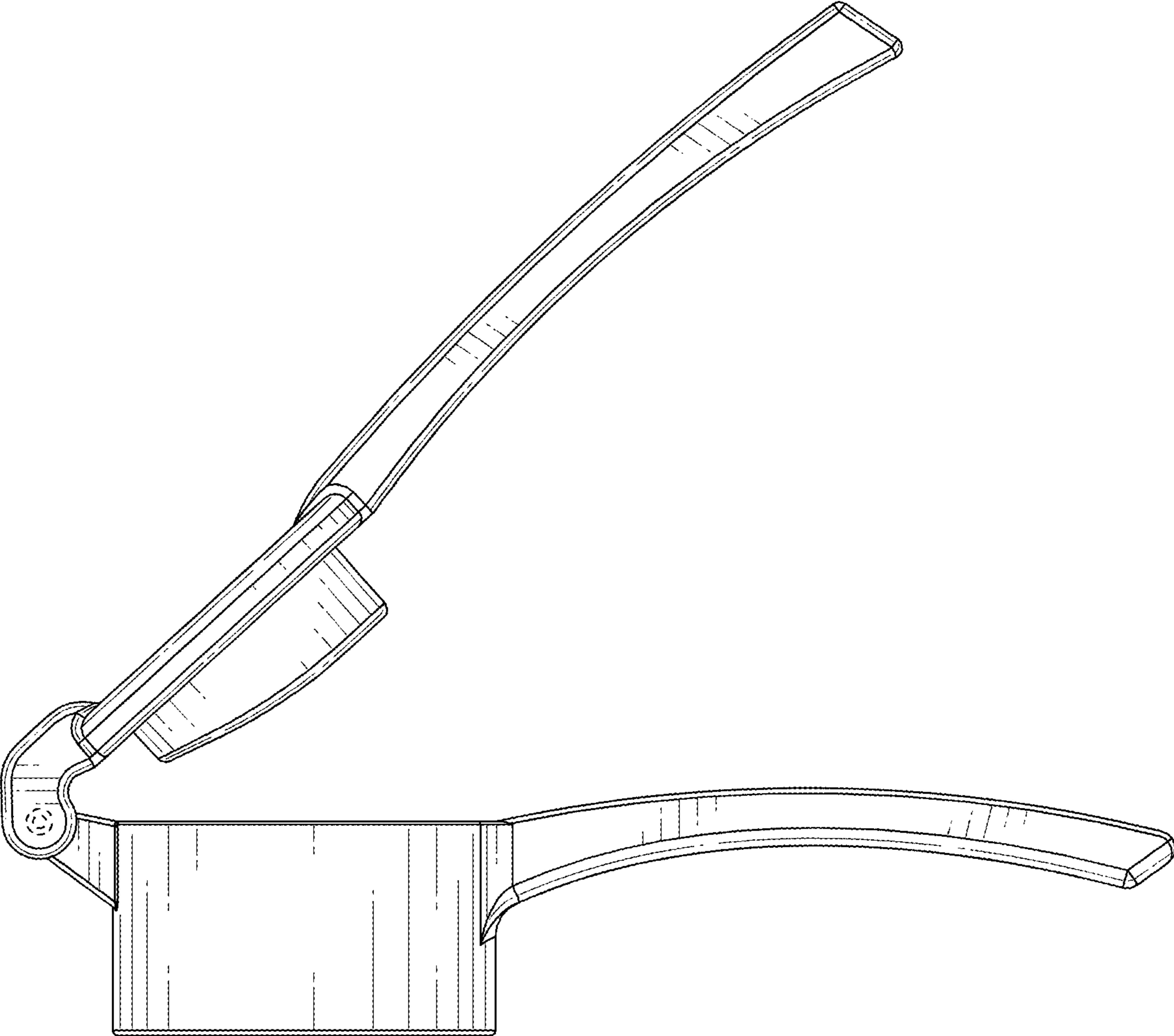


FIG. 8