



US00D933433S

(12) **United States Design Patent**  
**Fynbo et al.**

(10) **Patent No.:** **US D933,433 S**  
(45) **Date of Patent:** **\*\* Oct. 19, 2021**

(54) **TEETHING SPOON**  
(71) Applicant: **Busy Baby LLC**, Oronoco, MN (US)  
(72) Inventors: **Beth Fynbo**, Oronoco, MN (US);  
**Aaron Nelson**, Salt Lake City, UT (US)  
(73) Assignee: **Busy Baby LLC**, Oronoco, MN (US)  
(\*\*) Term: **15 Years**

6,865,815 B1 3/2005 Dunn et al.  
D545,445 S 6/2007 Klein  
D562,897 S \* 2/2008 Ballinger ..... D19/59  
D641,595 S 7/2011 Matari  
(Continued)

(21) Appl. No.: **29/765,546**

FOREIGN PATENT DOCUMENTS

(22) Filed: **Jan. 8, 2021**

AU 2018200057 A1 7/2018  
CN 201822503 U 9/2010  
(Continued)

(51) **LOC (13) Cl.** ..... **07-03**

(52) **U.S. Cl.**  
USPC ..... **D7/657; D7/653; D7/656**

(58) **Field of Classification Search**  
USPC ..... D7/368, 401.2, 642-645, 653-664, 669,  
D7/675-677, 683, 688-689, 691;  
D8/107, 300-301; D19/59; D21/576,  
D21/606-609, 625-627; D22/117-118  
CPC ... A01D 9/02; A01D 9/04; A01D 9/06; A47G  
21/00; A47G 21/004; A47G 21/005;  
A47G 21/02; A47G 21/023; A47G 21/04;  
A47G 21/06; A47G 21/08; A47J 43/28;  
A47J 43/281; A47J 43/282; A61F 13/10;  
A61J 7/0023; B25G 1/00; B25G 1/01;  
B25G 1/02; B25G 3/00; B65D 75/56;  
B65D 75/563; B65D 75/566; B67B 7/00;  
B67B 7/724; B67B 7/73

See application file for complete search history.

OTHER PUBLICATIONS

Silivo Baby Toothbrush and Teether. Latest Date reviewed on Amazon.com Oct. 20, 2020 [https://www.amazon.com/Toothbrush-Teether-Silicone-Training-toothbrushes/dp/B0756FCKP4/ref\(Year:2020\).\\*](https://www.amazon.com/Toothbrush-Teether-Silicone-Training-toothbrushes/dp/B0756FCKP4/ref(Year:2020).*)

(Continued)

*Primary Examiner* — Ricky Pham  
(74) *Attorney, Agent, or Firm* — Headland Law & Strategy; Matthew J. Smyth

(56) **References Cited**

U.S. PATENT DOCUMENTS

D148,693 S \* 2/1948 Grosvenor ..... D7/644  
D405,660 S \* 2/1999 Hansen ..... D7/688  
6,115,923 A 9/2000 Gentry et al.  
6,134,790 A \* 10/2000 Watson ..... A47G 21/02  
30/295  
D491,420 S \* 6/2004 Shibata ..... D7/653  
6,848,339 B2 2/2005 Hakim

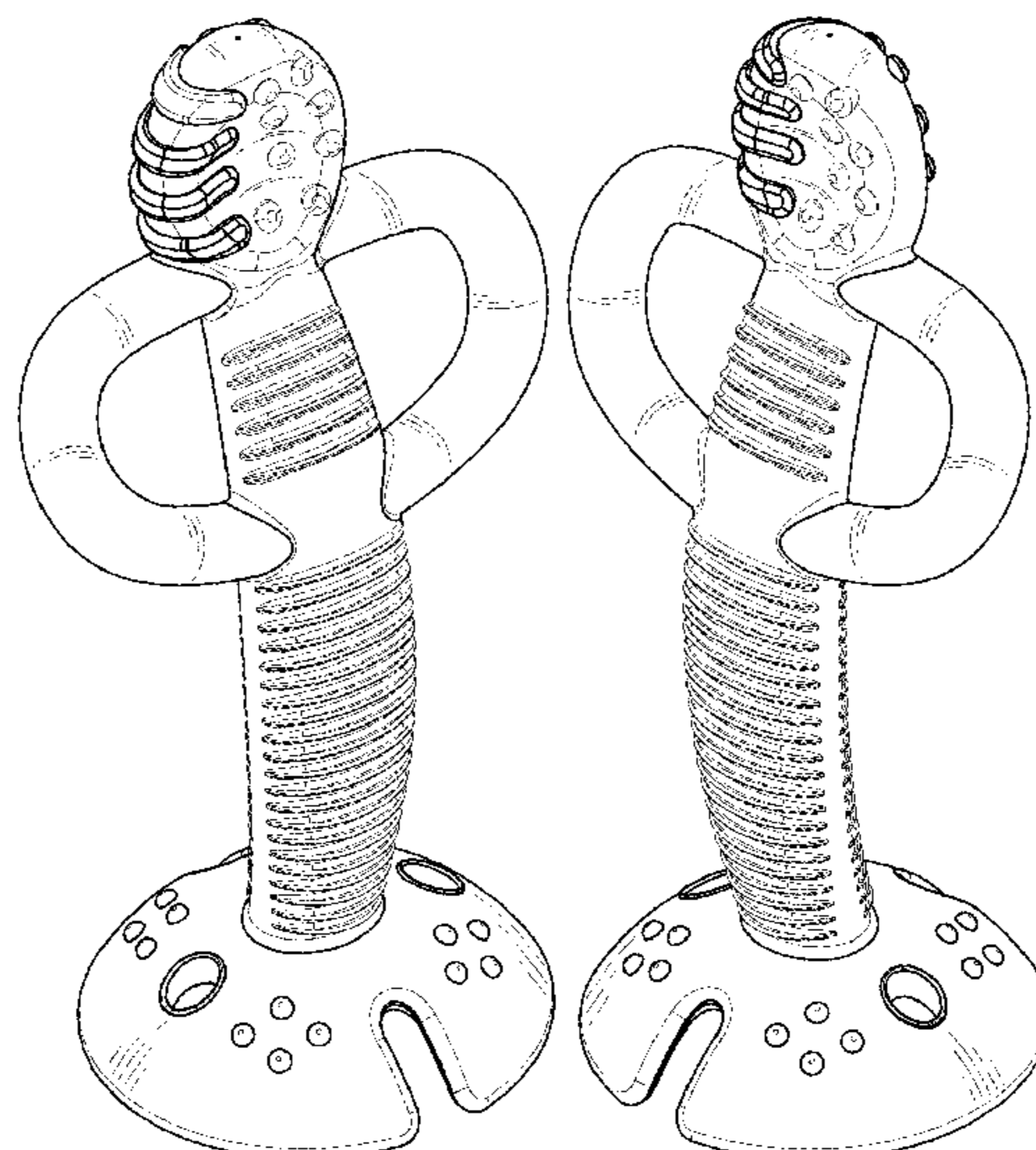
(57) **CLAIM**

The ornamental design for a teething spoon, as shown and described.

**DESCRIPTION**

FIG. 1 is a left perspective view of a teething spoon showing our new design;  
FIG. 2 is a right perspective view thereof;  
FIG. 3 is a front view thereof;  
FIG. 4 is a rear view thereof;  
FIG. 5 is a right-side view thereof;  
FIG. 6 is a left-side view thereof;  
FIG. 7 is a bottom view thereof; and,  
FIG. 8 is top view thereof.  
Lines and shading illustrate contouring of the teething spoon.

**1 Claim, 5 Drawing Sheets**



(56)

References Cited

U.S. PATENT DOCUMENTS

D705,022 S \* 5/2014 Meignan ..... D7/689  
D743,753 S \* 11/2015 James ..... D7/645  
D800,515 S 10/2017 Gonterman et al.  
D823,073 S 7/2018 Crowley  
D897,787 S \* 10/2020 Ferrell ..... D7/644  
D908,448 S \* 1/2021 Tian ..... D7/656  
2004/0215234 A1 10/2004 McCardell  
2008/0256807 A1 10/2008 Kirkup  
2009/0005810 A1 1/2009 Bonazza  
2011/0106156 A1 5/2011 Arbib  
2017/0099994 A1 4/2017 Gonterman et al.

FOREIGN PATENT DOCUMENTS

EP 2586420 B1 10/2013

KR 200416517 A1 2/2006  
WO 2002078495 A1 10/2002  
WO 2018025073 A1 8/2018

OTHER PUBLICATIONS

eZtotZ, Baby Utensils, retrieved on Dec. 21, 2020, pp. 2, available at: <https://eztotz.com/collections/baby-led-weaning-utensils>.  
Munchkin, Toddler, Utensils, retrieved on Dec. 21, 2020, pp. 7, available at: <https://www.munchkin.com/toddler/utensils/infant-spoons.html>.  
“My Own Mat”, Placement, Baby Gear, retrieved on Dec. 21, 2020, pp. 2, available at: <https://www.myownmat.com/designer-placemats>.  
Nuby, Dipeez Spoons, Tableware, retrieved on Jan. 6, 2021, pp. 3, <https://www.nuby.com/za/dipeez-spoons/>.  
Numnum, Our Products, retrieved on Dec. 21, 2020, pp. 3, available at: <https://numnumbaby.us/pages/products>.

\* cited by examiner

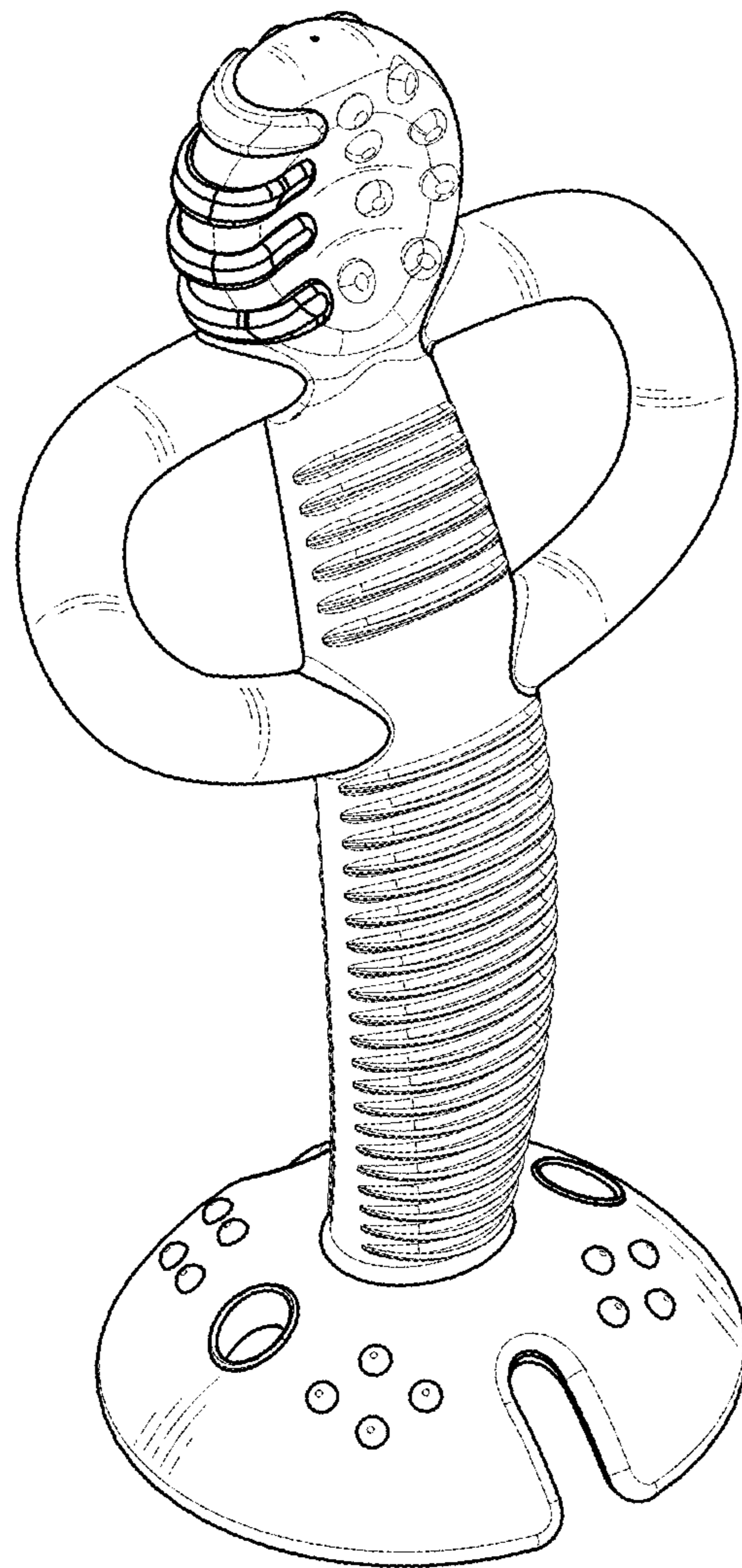


FIG. 1

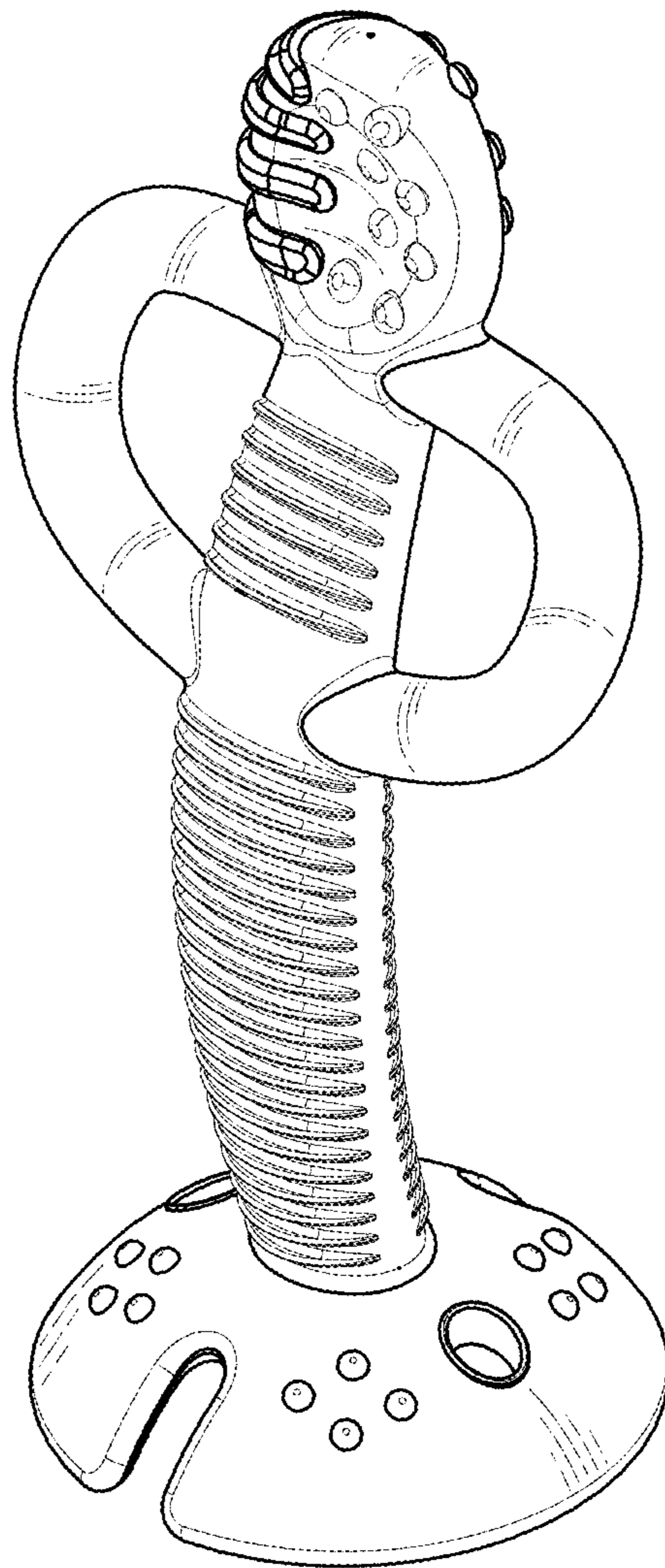


FIG. 2

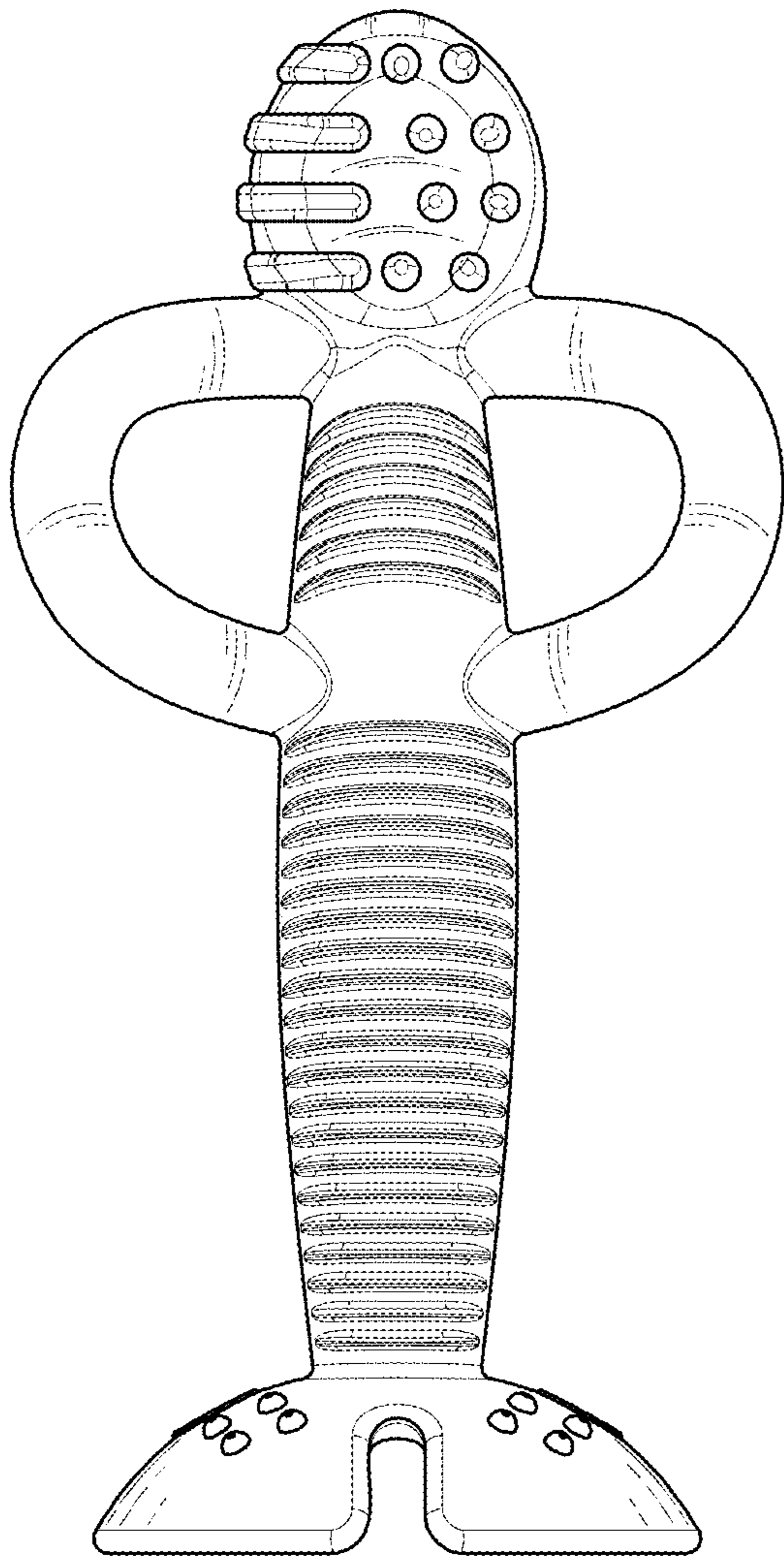


FIG. 3

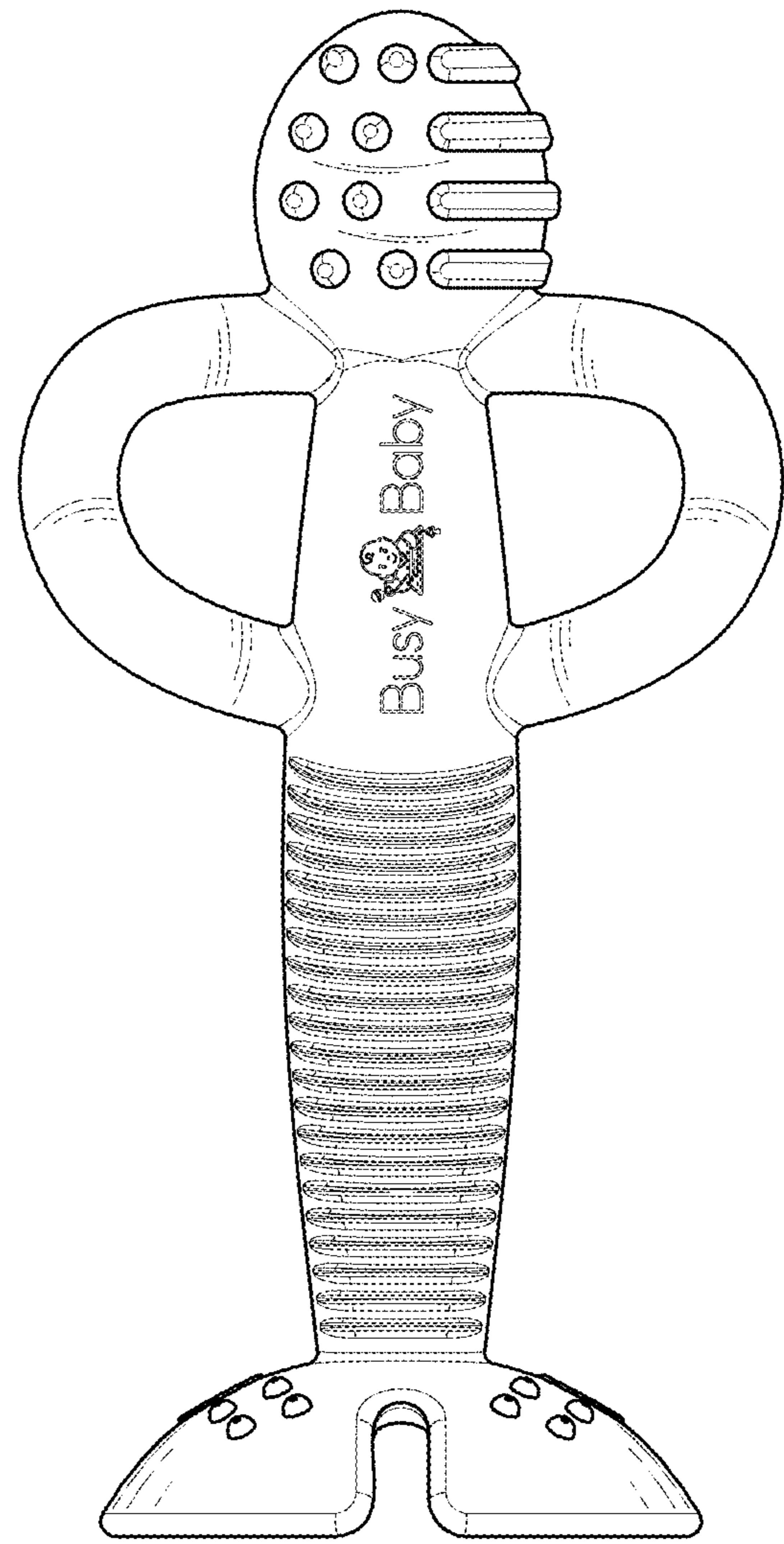


FIG. 4

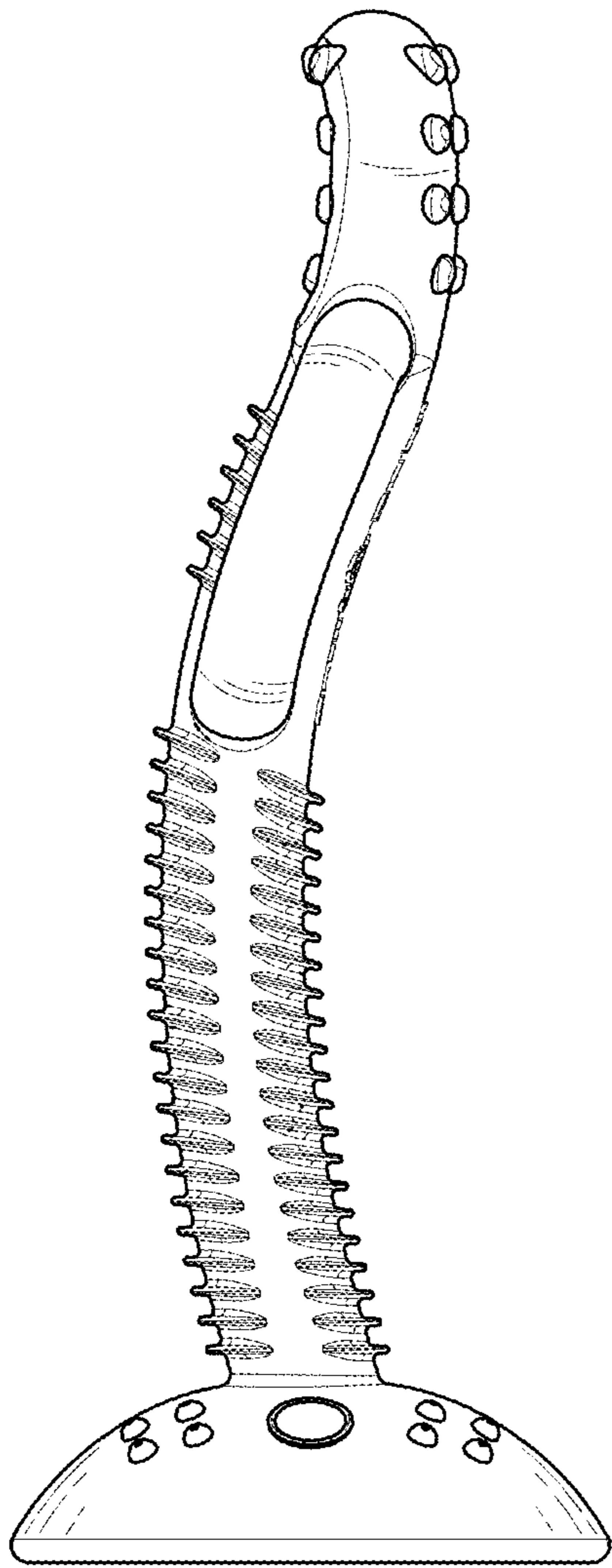


FIG. 5

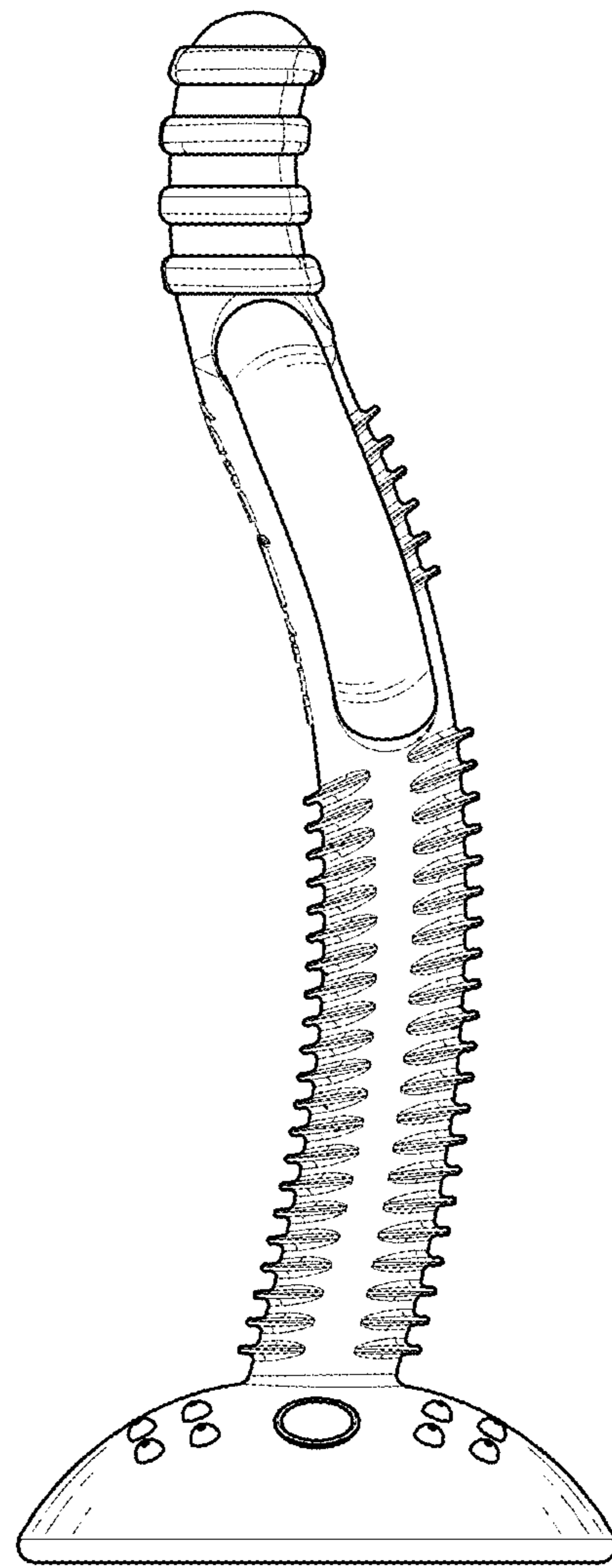


FIG. 6

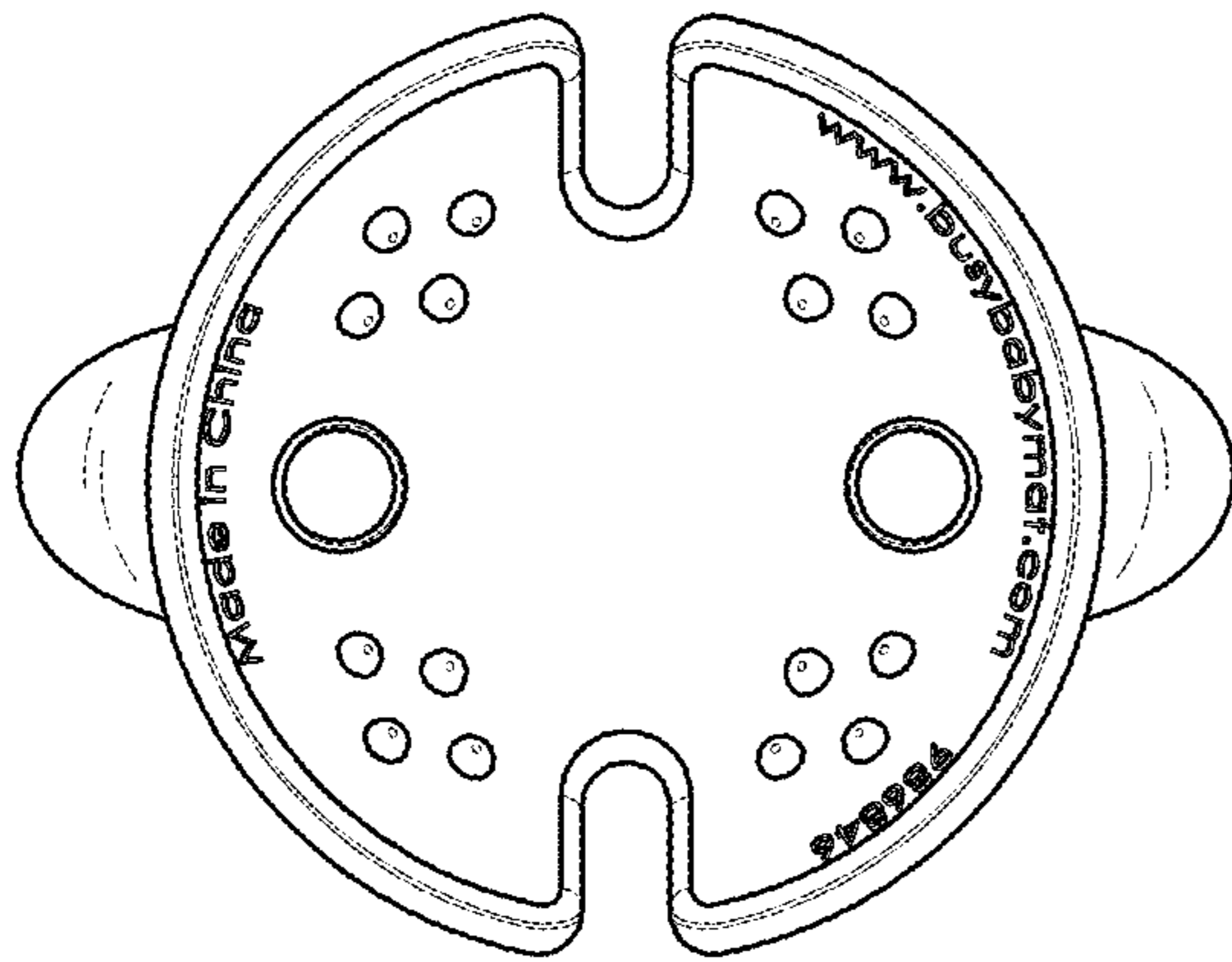


FIG. 7

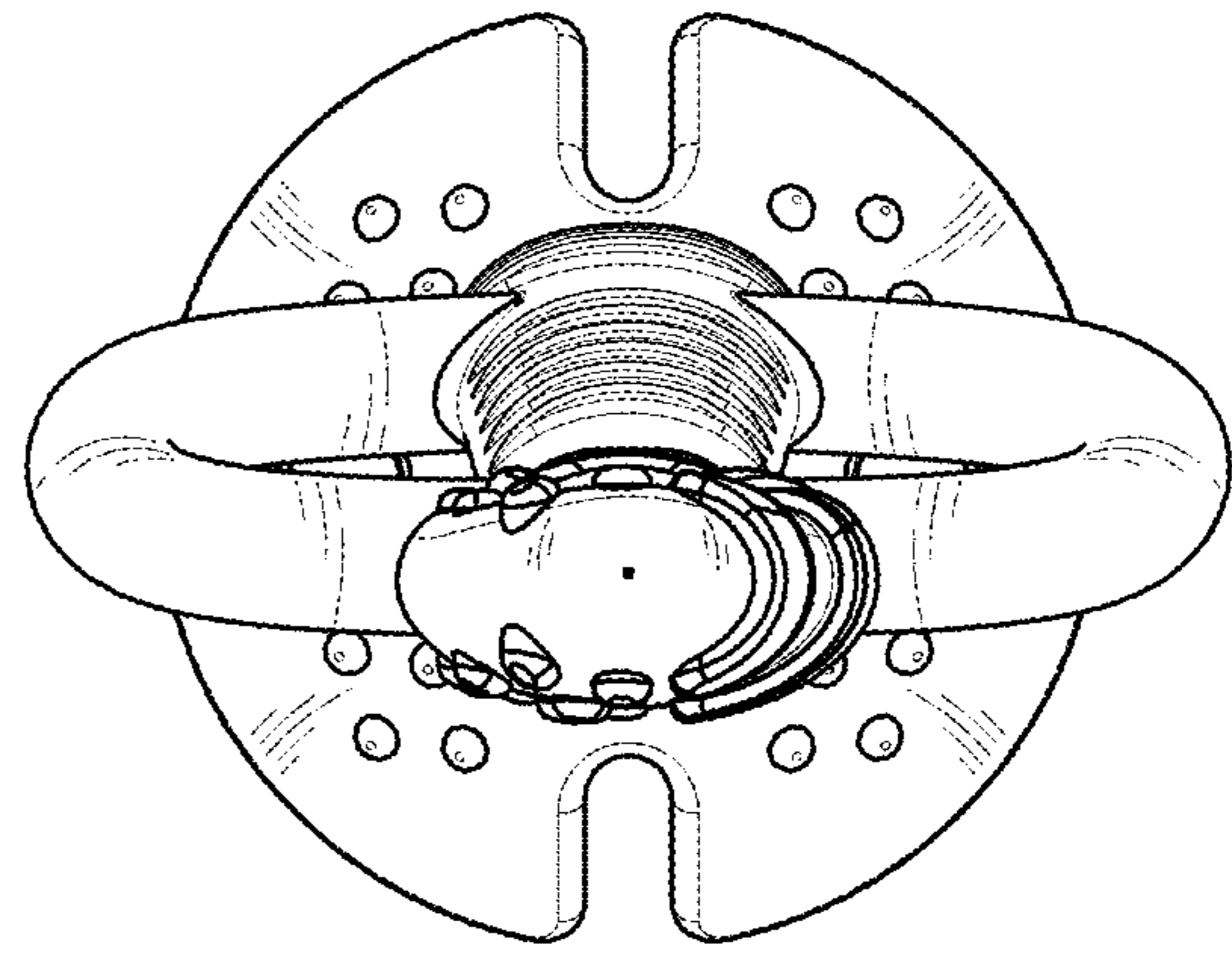


FIG. 8