



US00D933430S

(12) **United States Design Patent** (10) **Patent No.:** **US D933,430 S**
Hsu (45) **Date of Patent:** **** Oct. 19, 2021**

(54) **TRAINING CHOPSTICKS**

Primary Examiner — Ricky Pham

(71) Applicant: **Fred Hsu**, Port Washington, NY (US)

(57) **CLAIM**

(72) Inventor: **Fred Hsu**, Port Washington, NY (US)

The ornamental design for training chopsticks, as shown and described.

(**) Term: **15 Years**

DESCRIPTION

(21) Appl. No.: **29/758,677**

(22) Filed: **Nov. 17, 2020**

Related U.S. Application Data

(63) Continuation-in-part of application No. 16/731,037, filed on Dec. 31, 2019.

(51) **LOC (13) Cl.** **07-03**

(52) **U.S. Cl.**
USPC **D7/642**

(58) **Field of Classification Search**
USPC D7/368, 395, 401.2, 642–645, 653–664,
D7/669, 675–677, 683, 688–689, 691;
D8/107, 300–301; D22/117–118
(Continued)

(56) **References Cited**

U.S. PATENT DOCUMENTS

2,997,328 A * 8/1961 Lee A47G 21/103
294/99.2
3,637,248 A * 1/1972 Arita A47G 21/103
294/99.2

(Continued)

FOREIGN PATENT DOCUMENTS

CN 101991331 A 3/2011
CN 104257228 A 1/2015

(Continued)

OTHER PUBLICATIONS

Pororo Edison Training Chopsticks. Date First Available on Amazon.com Nov. 17, 2010. <https://www.amazon.com/Pororo-Edison-Training-Chopsticks-Children/dp/B004CS4ASY/ref> (Year: 2010).*

FIG. 1 is a perspective view showing the front side, the top side, and the right side of my new design, training chopsticks, at the closed posture configuration, with the C-hook coupling bar mounted on the bottom chopstick connecting with the top chopstick via a circumferential groove carved into the top chopstick;

FIG. 2 is a perspective view showing the front side, the top side, and the left side thereof;

FIG. 3 is a front view thereof;

FIG. 4 is a rear view thereof;

FIG. 5 is a top plan view thereof;

FIG. 6 is a bottom plan view thereof;

FIG. 7 is a left side view thereof;

FIG. 8 is a right side view thereof;

FIG. 9 is a perspective view showing the rear side, the top side, and the right side thereof;

FIG. 10 is a perspective view showing the rear side, the bottom side, and the right side thereof;

FIG. 11 is a perspective view showing the rear side, the top side, and the left side thereof;

FIG. 12 is a perspective view showing the rear side, the bottom side, and the left side thereof;

FIG. 13 is a perspective view showing the front side, the top side, and the right side, at another configuration, the open posture, of the training chopsticks;

FIG. 14 is a perspective view showing the front side, the top side, and the left side of the training chopsticks in FIG. 13;

FIG. 15 is a front view of the training chopsticks in FIG. 13;

FIG. 16 is a rear view of the training chopsticks in FIG. 13;

FIG. 17 is a top plan view of the training chopsticks in FIG. 13;

FIG. 18 is a bottom plan view of the training chopsticks in FIG. 13;

FIG. 19 is a left side view of the training chopsticks in FIG. 13;

(Continued)

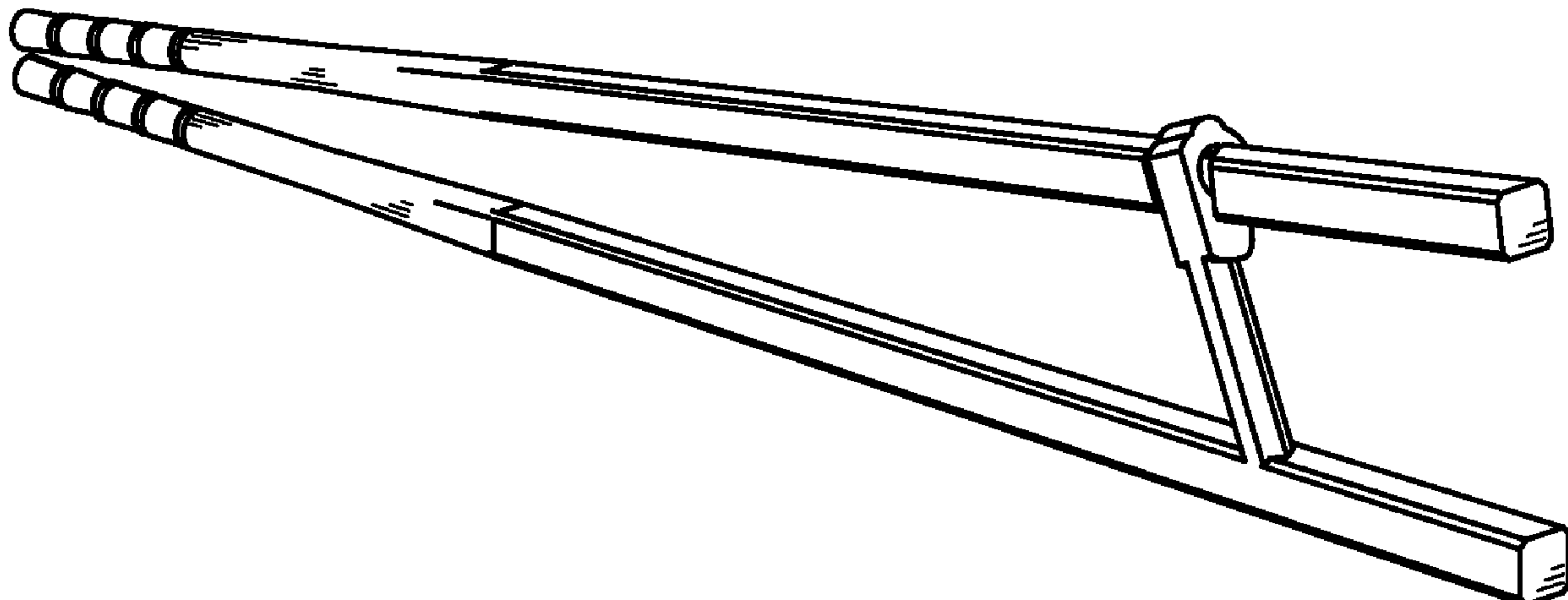


FIG. 20 is a right side view of the training chopsticks in FIG. 13;
 FIG. 21 is a perspective view showing the rear side, the top side, and the right side of the training chopsticks in FIG. 13;
 FIG. 22 is a perspective view showing the rear side, the bottom side, and the right side of the training chopsticks in FIG. 13;
 FIG. 23 is a perspective view showing the rear side, the top side, and the left side of the training chopsticks in FIG. 13;
 FIG. 24 is a perspective view showing the rear side, the bottom side, and the left side of the training chopsticks in FIG. 13;
 FIG. 25 is an exploded view of a portion of the training chopsticks, including the C-hook coupling bar, and the exposed circumferential groove carved into the top chopstick, in a perspective view showing the front side, the top side, and the right side;
 FIG. 26 is a perspective view showing the front side, the top side, and the left side of the exploded portion in FIG. 25;
 FIG. 27 is a perspective view showing the rear side, the top side, and the right side of the exploded portion in FIG. 25;
 FIG. 28 is a perspective view showing the rear side, the bottom side, and the right side of the exploded portion in FIG. 25;
 FIG. 29 is a perspective view showing the rear side, the top side, and the left side of the exploded portion in FIG. 25;
 FIG. 30 is a perspective view showing the rear side, the bottom side, and the left side of the exploded portion in FIG. 25;
 FIG. 31 is a front view of the exposed circumferential groove carved into the top chopstick shown in the exploded view in FIG. 25;
 FIG. 32 is a rear view of the exposed circumferential groove in FIG. 31;
 FIG. 33 is a top plan view of the exposed circumferential groove in FIG. 31;
 FIG. 34 is a bottom plan view of the exposed circumferential groove in FIG. 31;
 FIG. 35 is a front view of the C-hook coupling bar shown in the exploded view in FIG. 25;
 FIG. 36 is a rear view of the C-hook coupling bar in FIG. 35;
 FIG. 37 is a top plan view of the C-hook coupling bar in FIG. 35;
 FIG. 38 is a bottom plan view of the C-hook coupling bar in FIG. 35;
 FIG. 39 is a left side view of the C-hook coupling bar in FIG. 35; and,

FIG. 40 is a right side view of the C-hook coupling bar in FIG. 35.

1 Claim, 13 Drawing Sheets

(58) **Field of Classification Search**

CPC ... A01D 9/02; A01D 9/04; A01D 9/06; A47G 21/00; A47G 21/004; A47G 21/005; A47G 21/02; A47G 21/023; A47G 21/04; A47G 21/06; A47G 21/08; A47G 21/10; A47G 21/103; A47J 43/28; A47J 43/281; A47J 43/282; A61F 13/10; A61J 7/0023; B25G 1/00; B25G 1/01; B25G 1/02; B25G 3/00; B65D 75/56; B65D 75/563; B65D 75/566; B67B 7/00; B67B 7/724; B67B 7/73

See application file for complete search history.

(56) **References Cited**

U.S. PATENT DOCUMENTS

3,884,456	A *	5/1975	Lew	A47G 21/103 267/156
3,937,510	A *	2/1976	Lew	A47G 21/103 294/99.2
5,277,464	A	1/1994	Okun		
5,486,029	A *	1/1996	Kobayashi	A47G 21/103 294/33
5,697,659	A *	12/1997	Calagui	A47G 21/103 294/33
7,234,745	B1 *	6/2007	Tsai	A47G 21/103 294/218
D657,636	S *	4/2012	Carr	D7/642
8,235,440	B2	8/2012	Park		
8,562,054	B2	10/2013	Keller		
9,155,411	B2	10/2015	Woo		
9,468,322	B2 *	10/2016	Woo	A47G 21/103
D853,203	S *	7/2019	Adam	D7/642
2002/0096899	A1 *	7/2002	Kang	A47G 21/103 294/99.2
2012/0133167	A1	5/2012	Woo		
2014/0265402	A1	9/2014	Pecoraro		

FOREIGN PATENT DOCUMENTS

GB	2234425	A	2/1991
JP	H10137101	A	5/1998
JP	H10228234	A	8/1998
JP	3078843	U	7/2001
JP	3089628	U	10/2002
JP	3133200	U	7/2007
JP	6366159	B2	8/2018
WO	2013181822	A1	12/2013

* cited by examiner

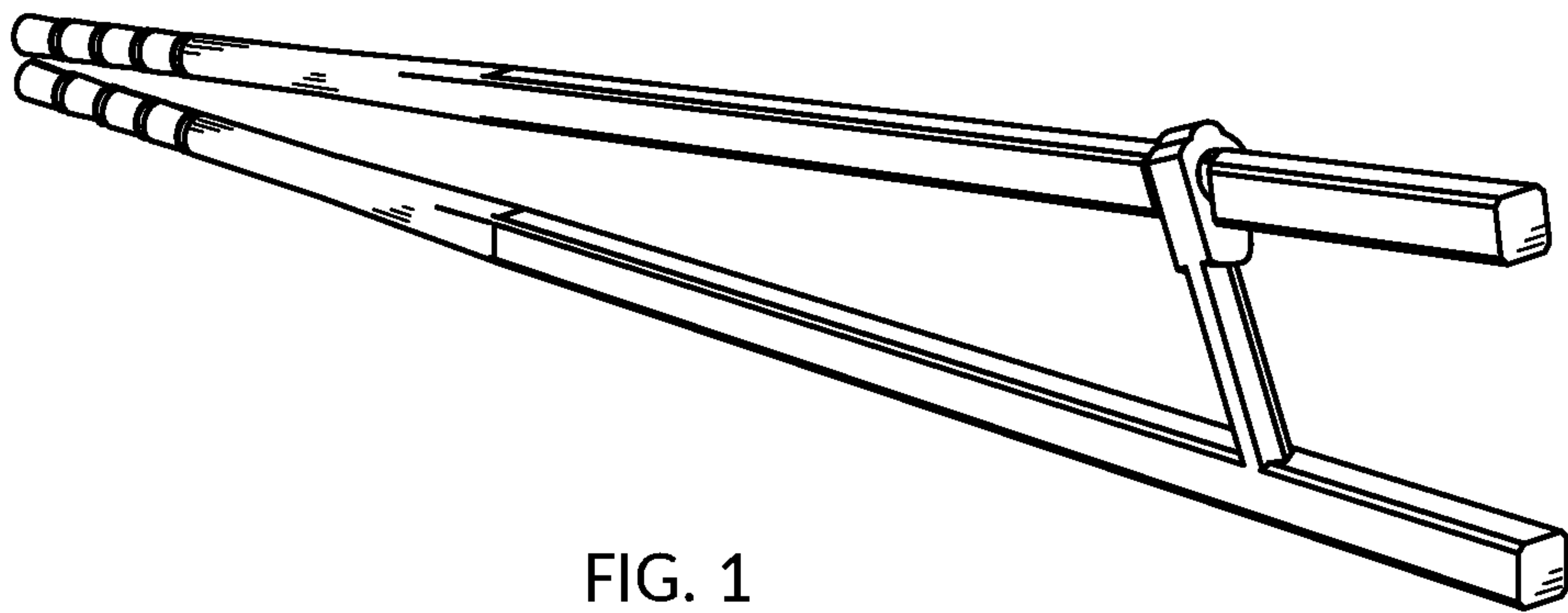


FIG. 1

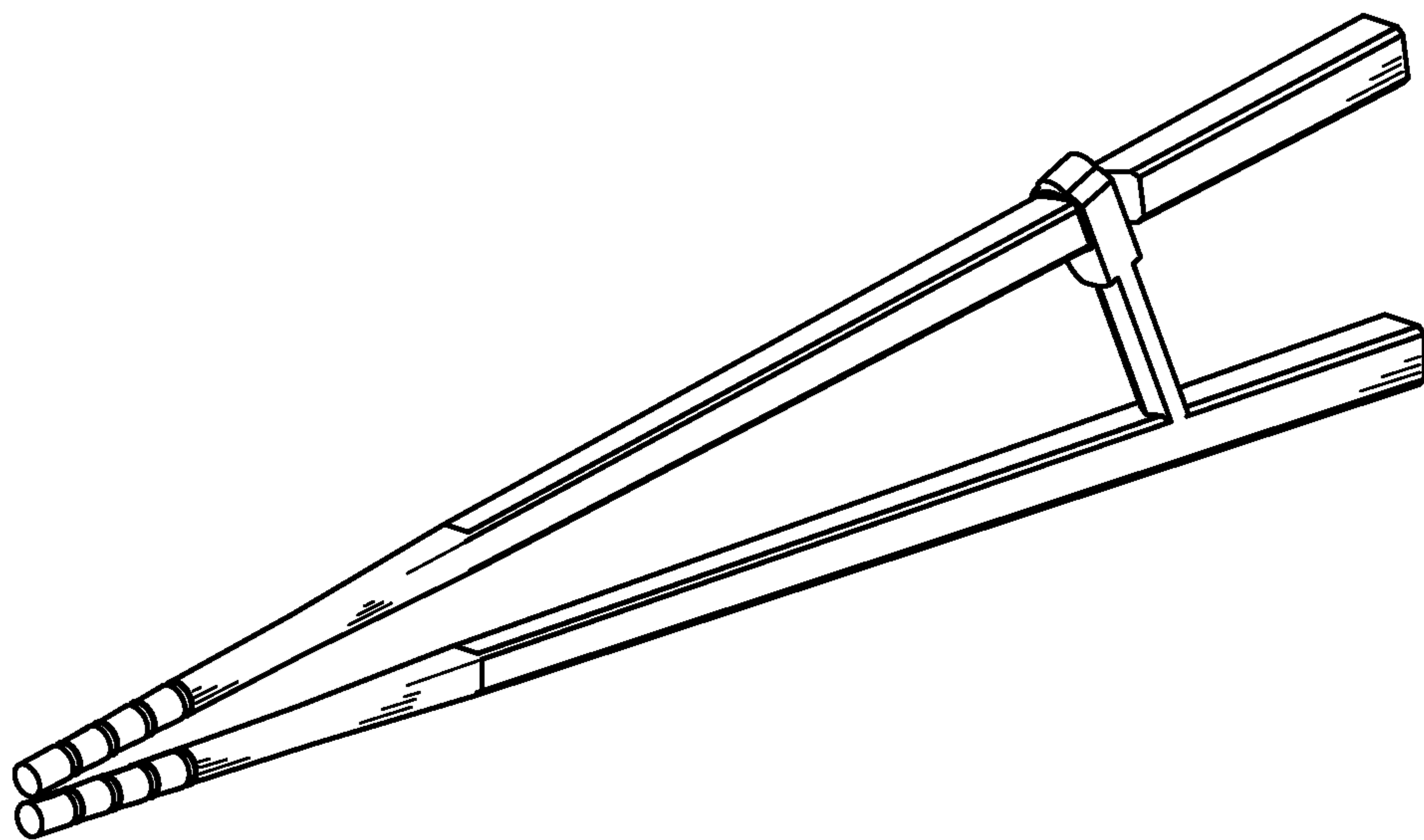


FIG. 2

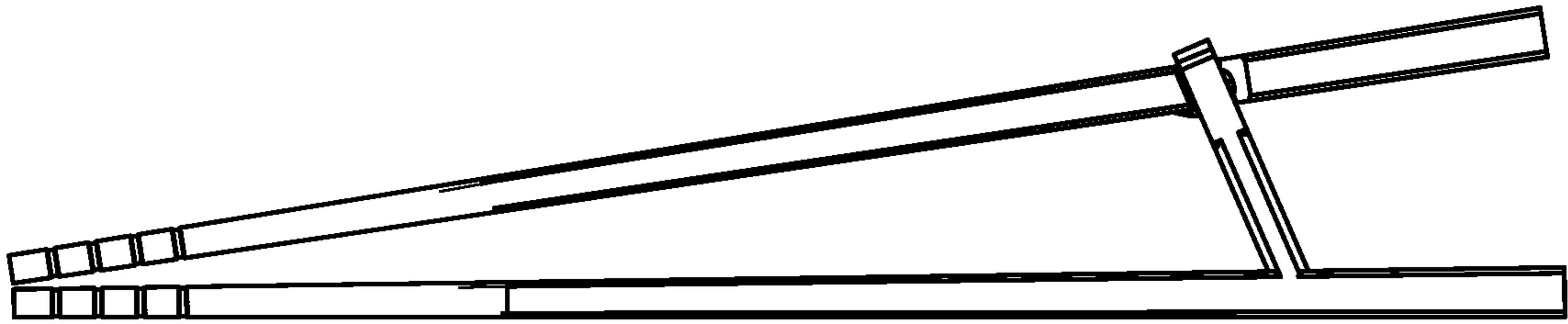


FIG. 3

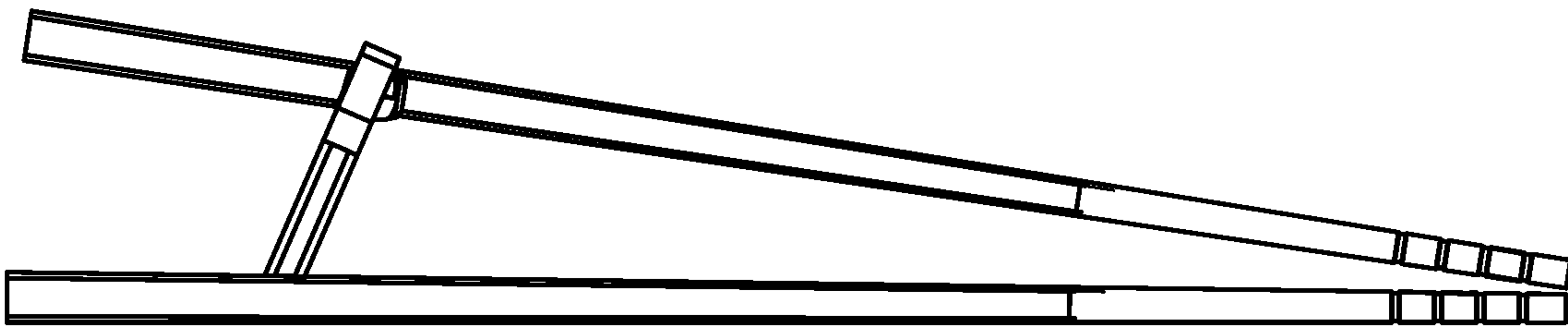


FIG. 4



FIG. 5



FIG. 6



FIG. 7



FIG. 8

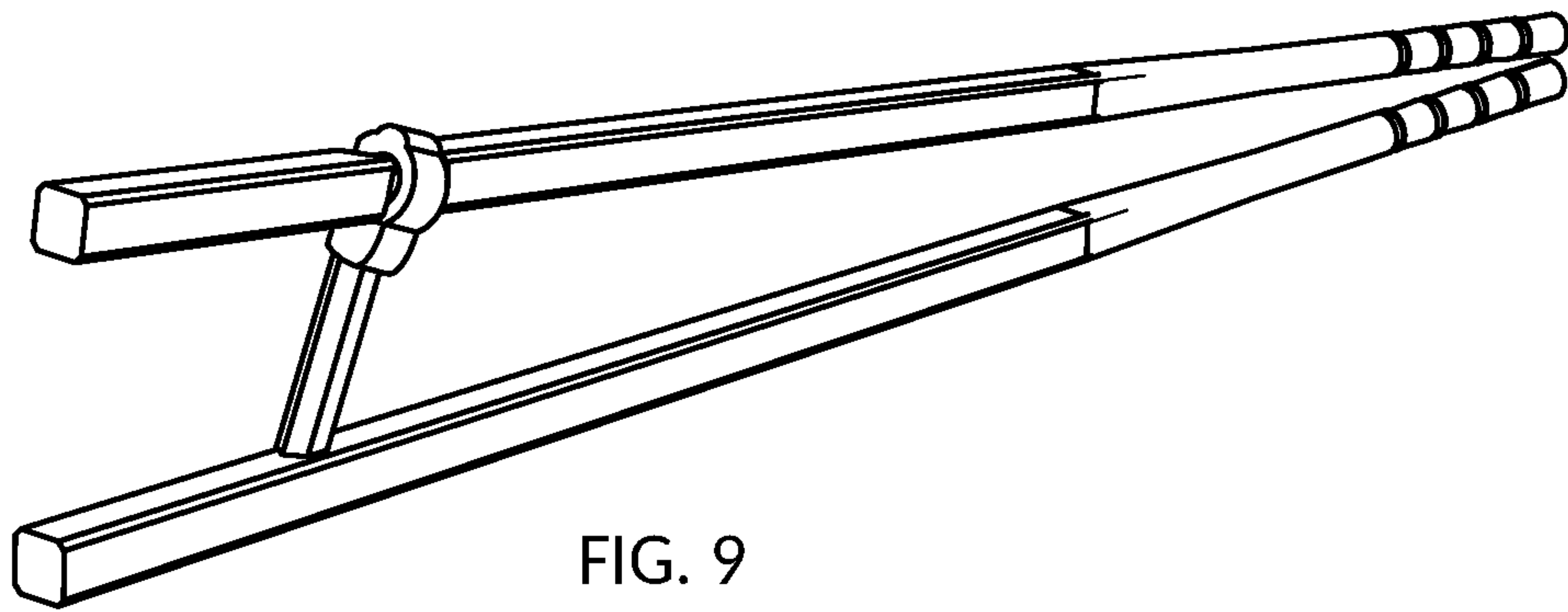


FIG. 9

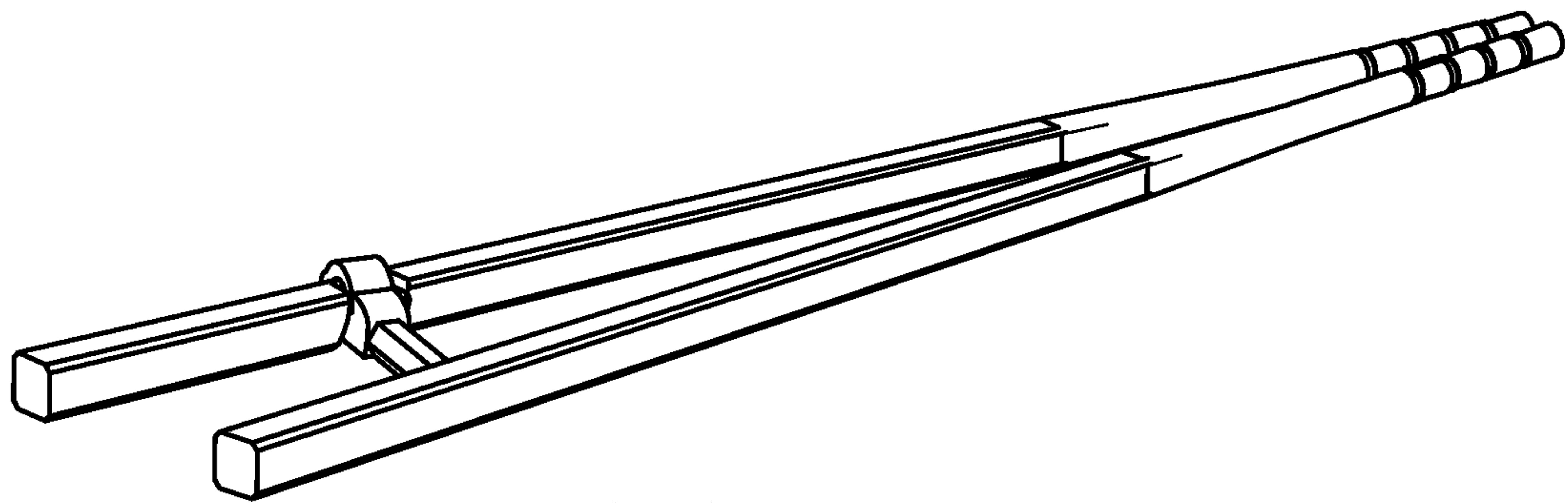


FIG. 10

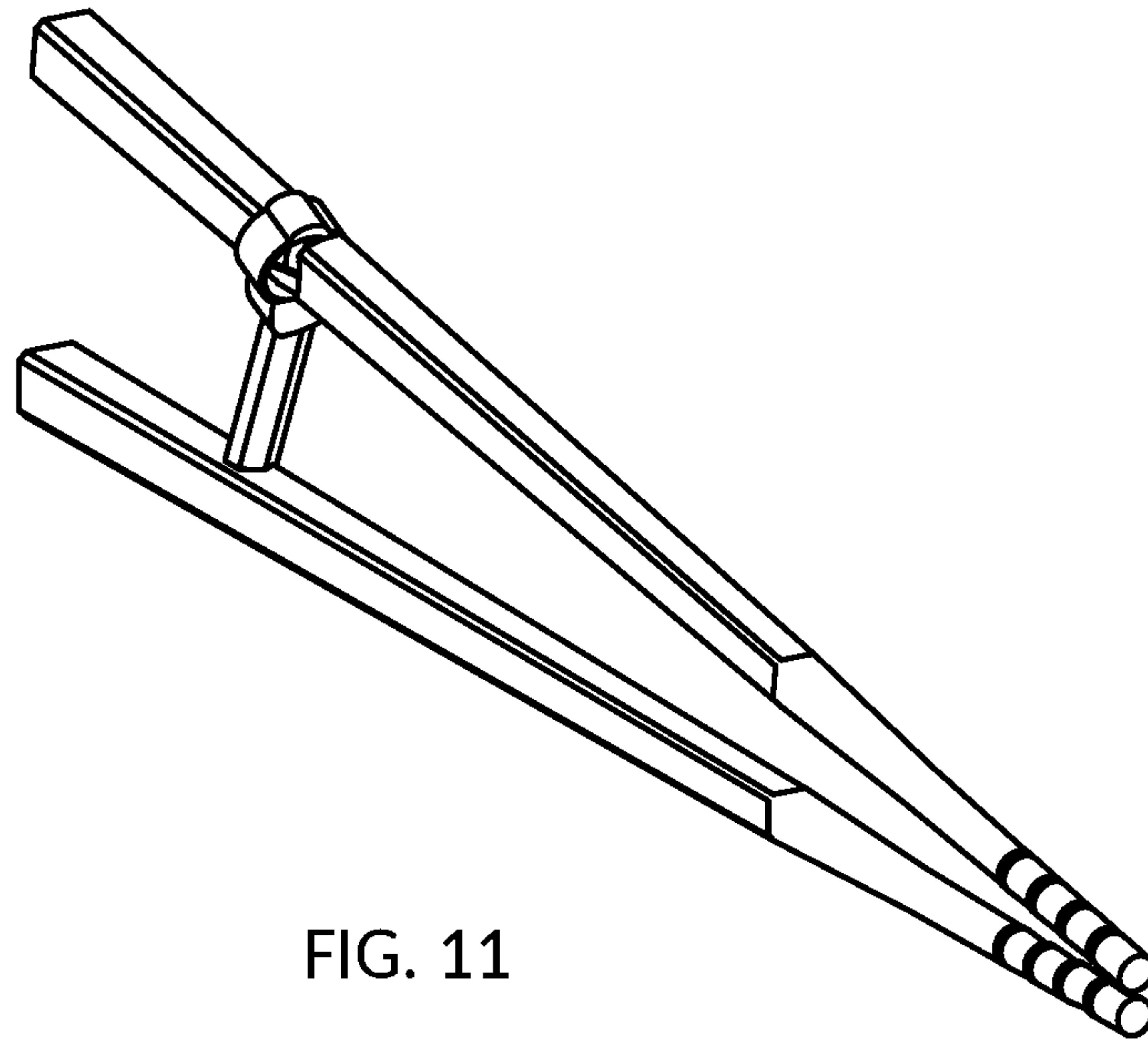


FIG. 11

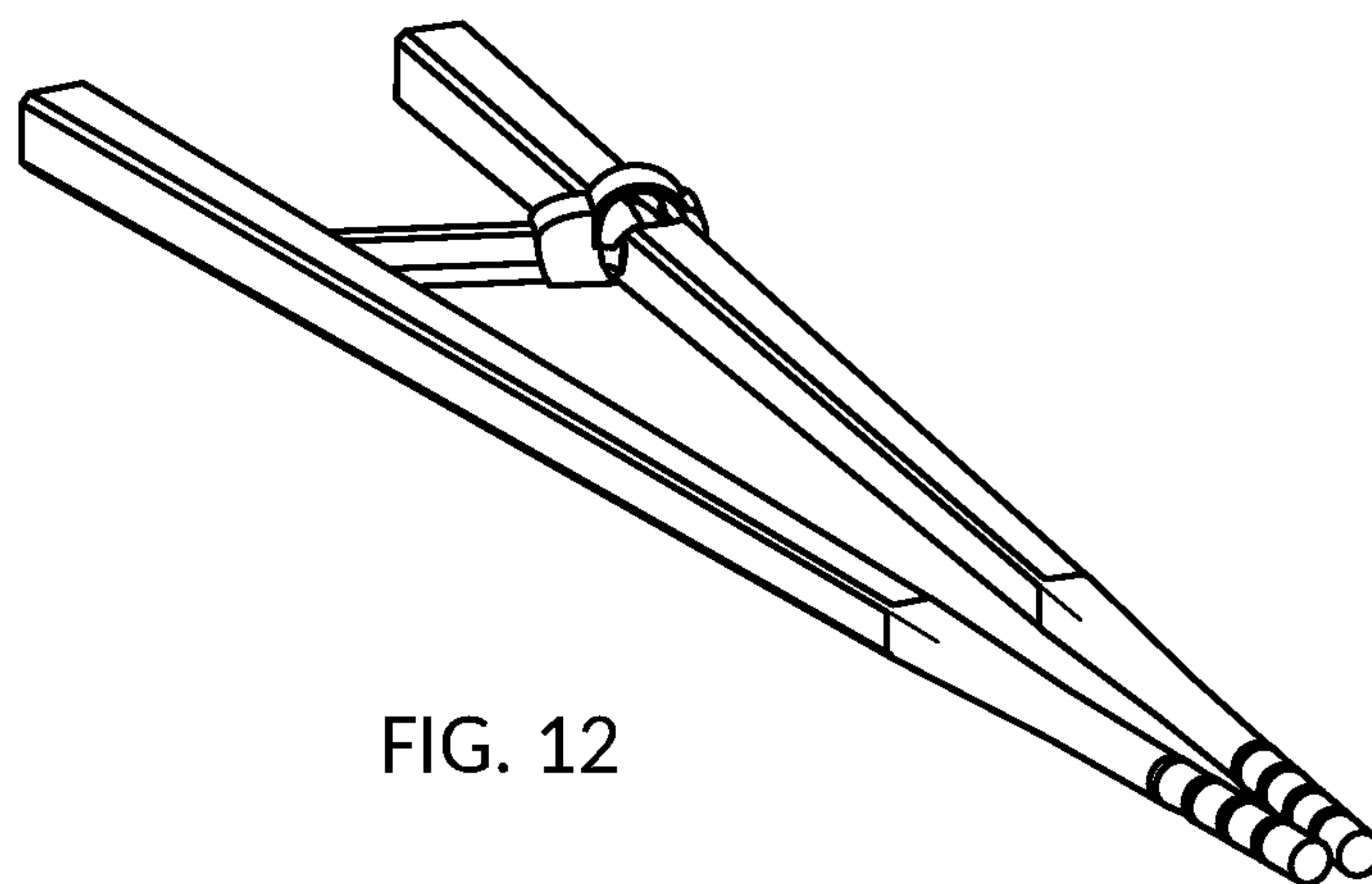


FIG. 12

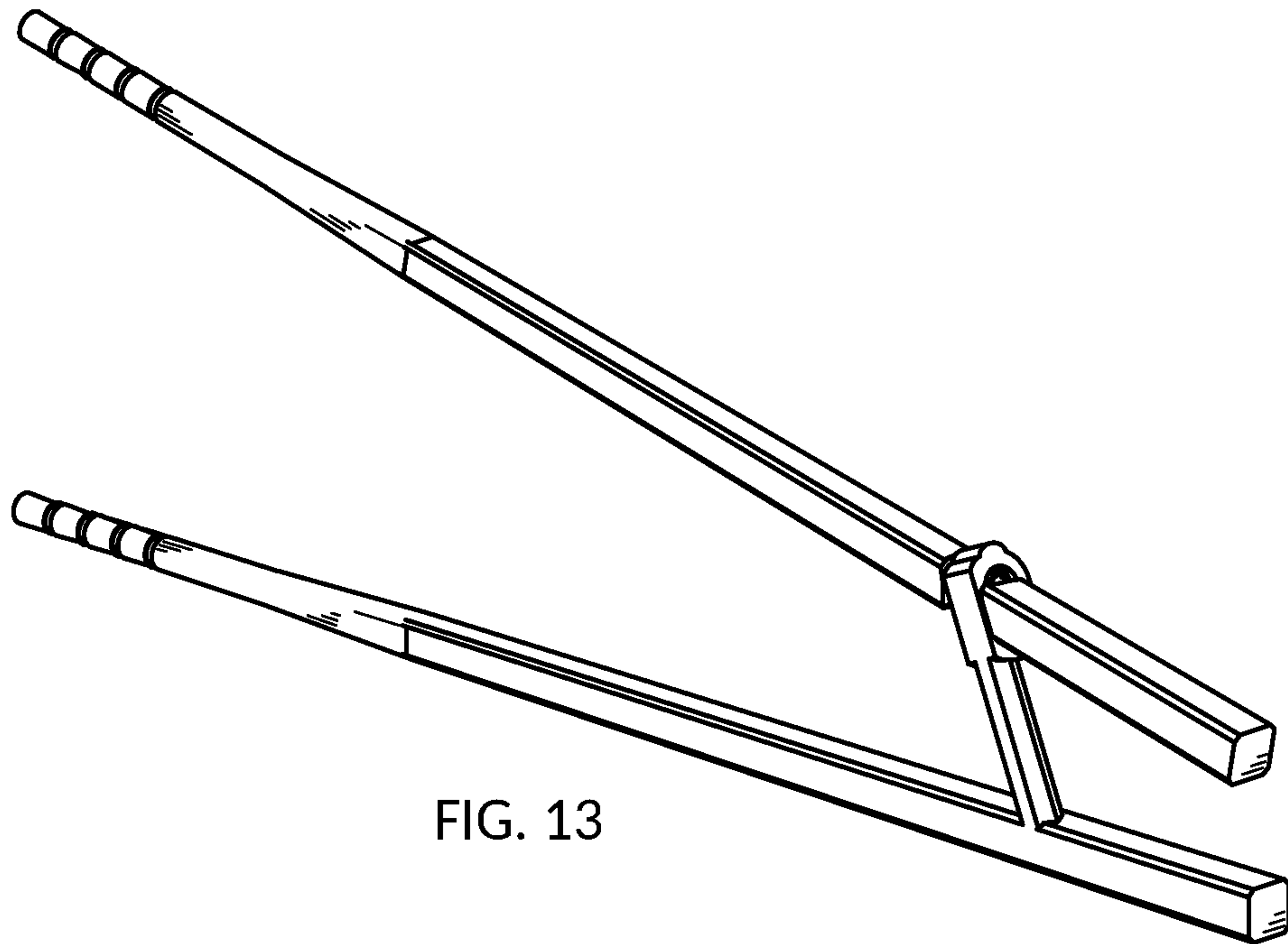


FIG. 13

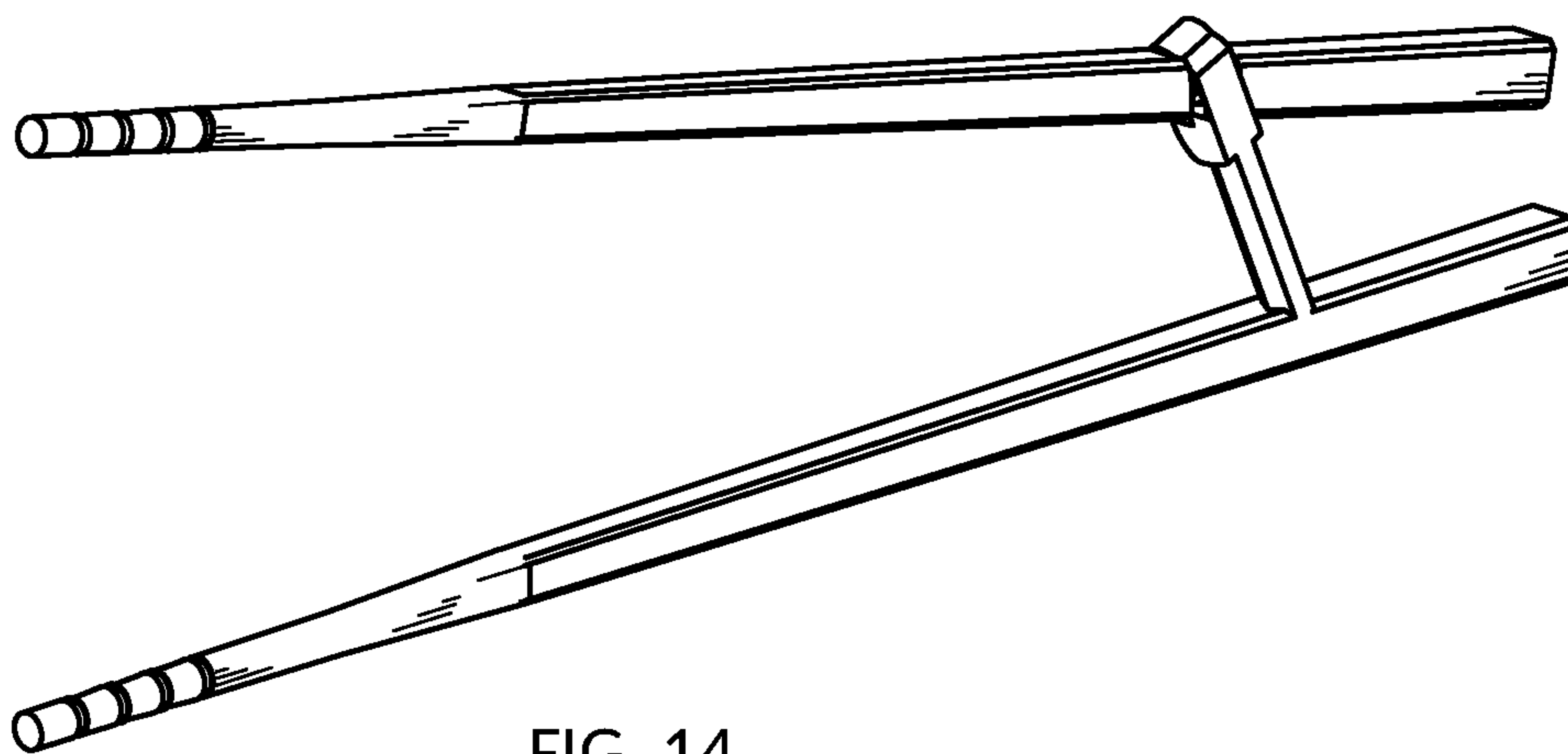


FIG. 14

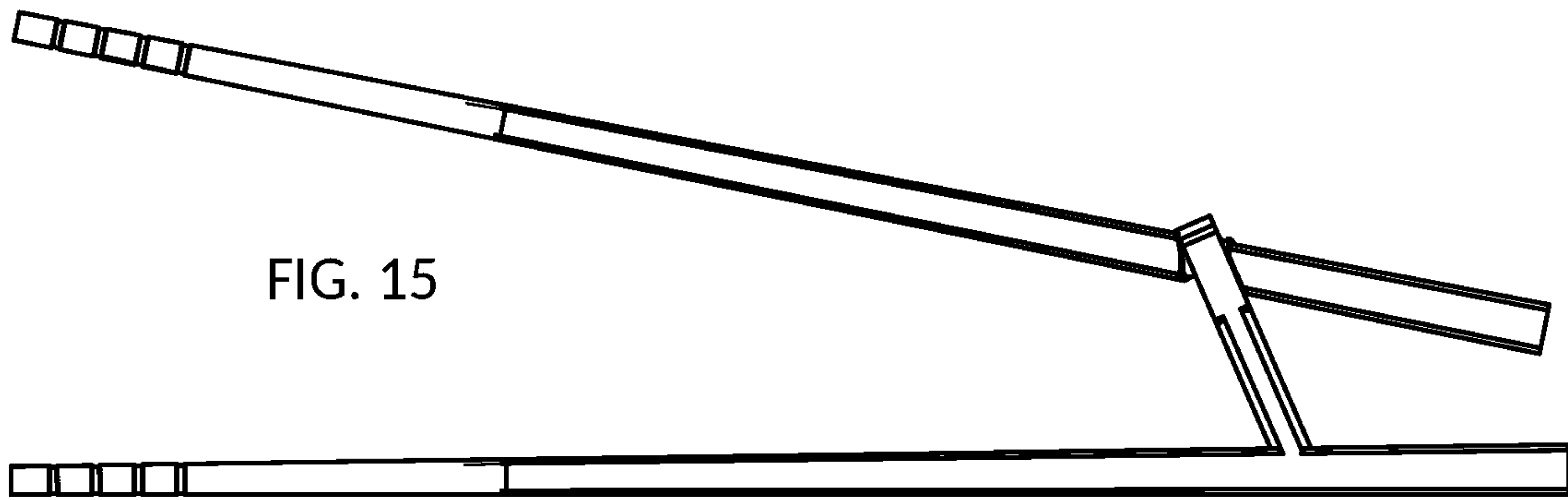


FIG. 15

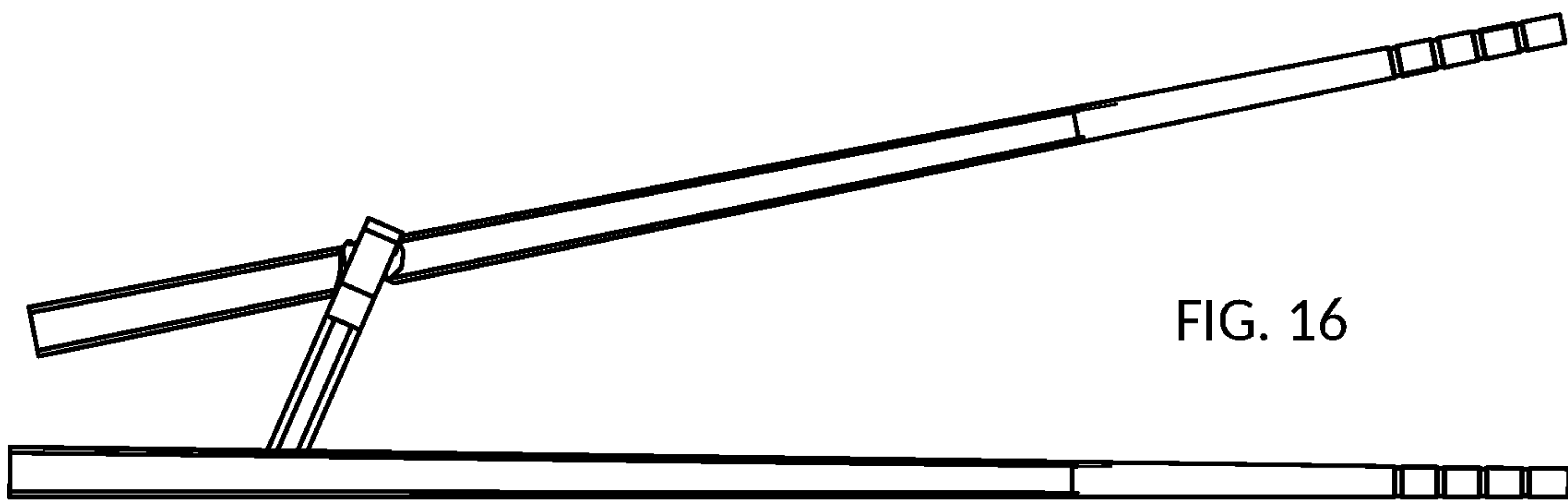


FIG. 16



FIG. 17



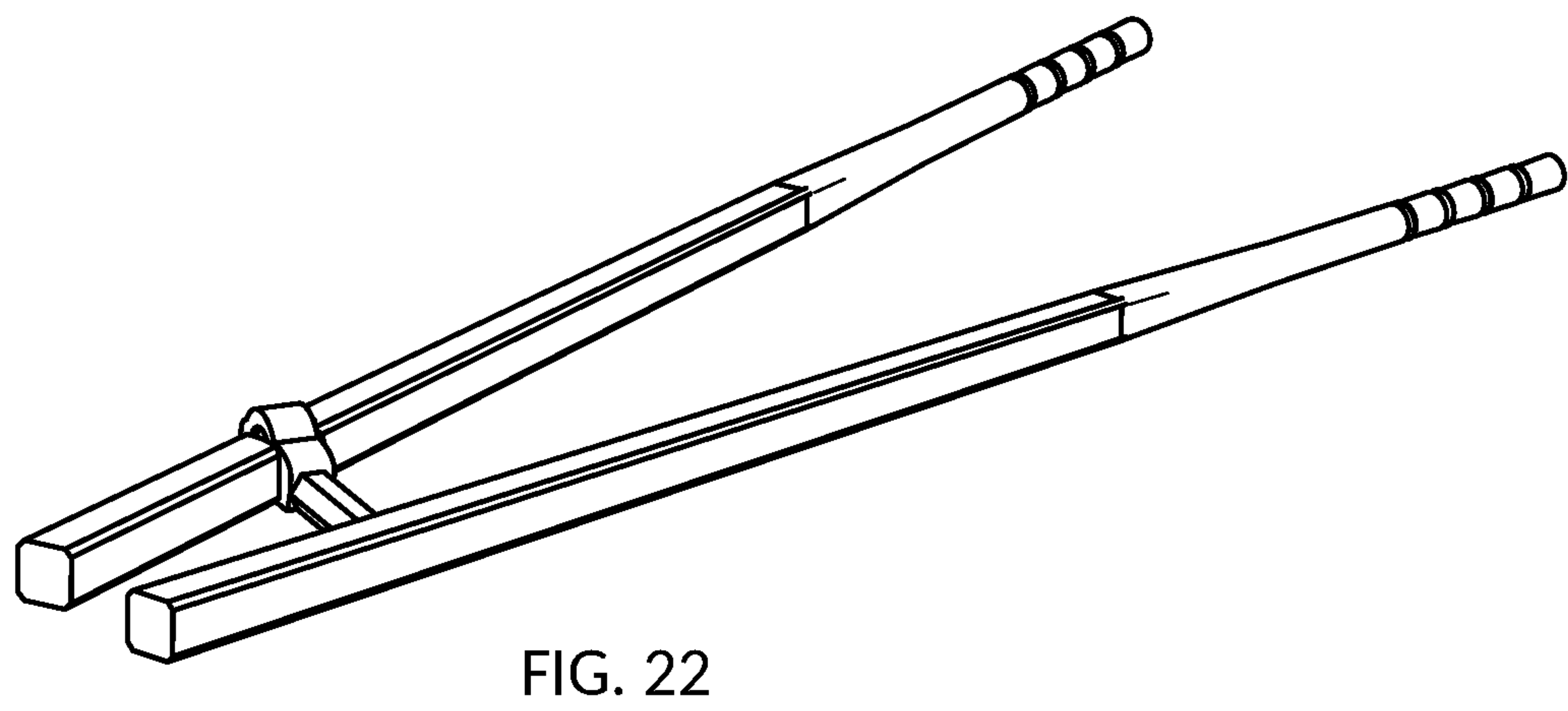
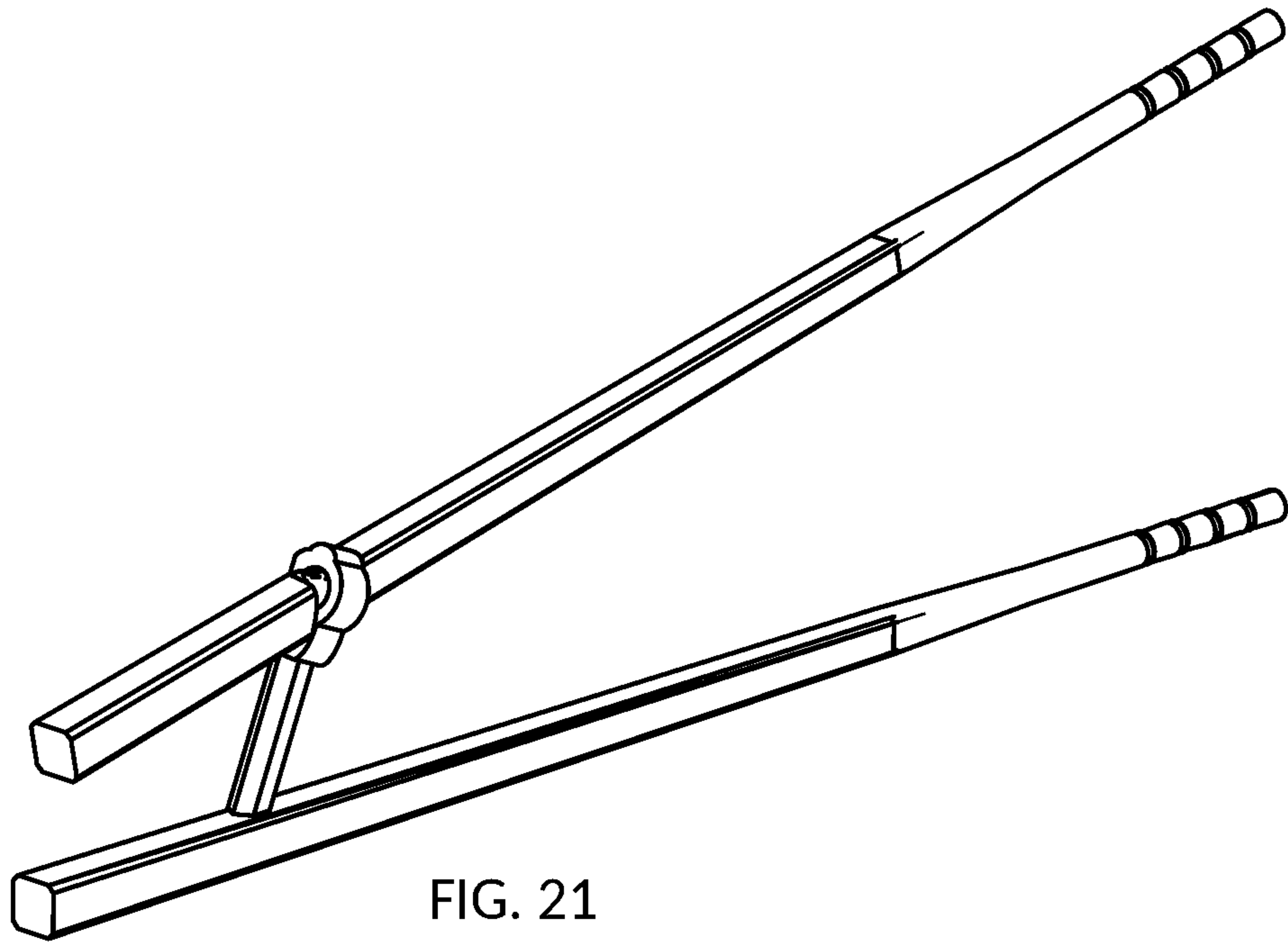
FIG. 18



FIG. 19



FIG. 20



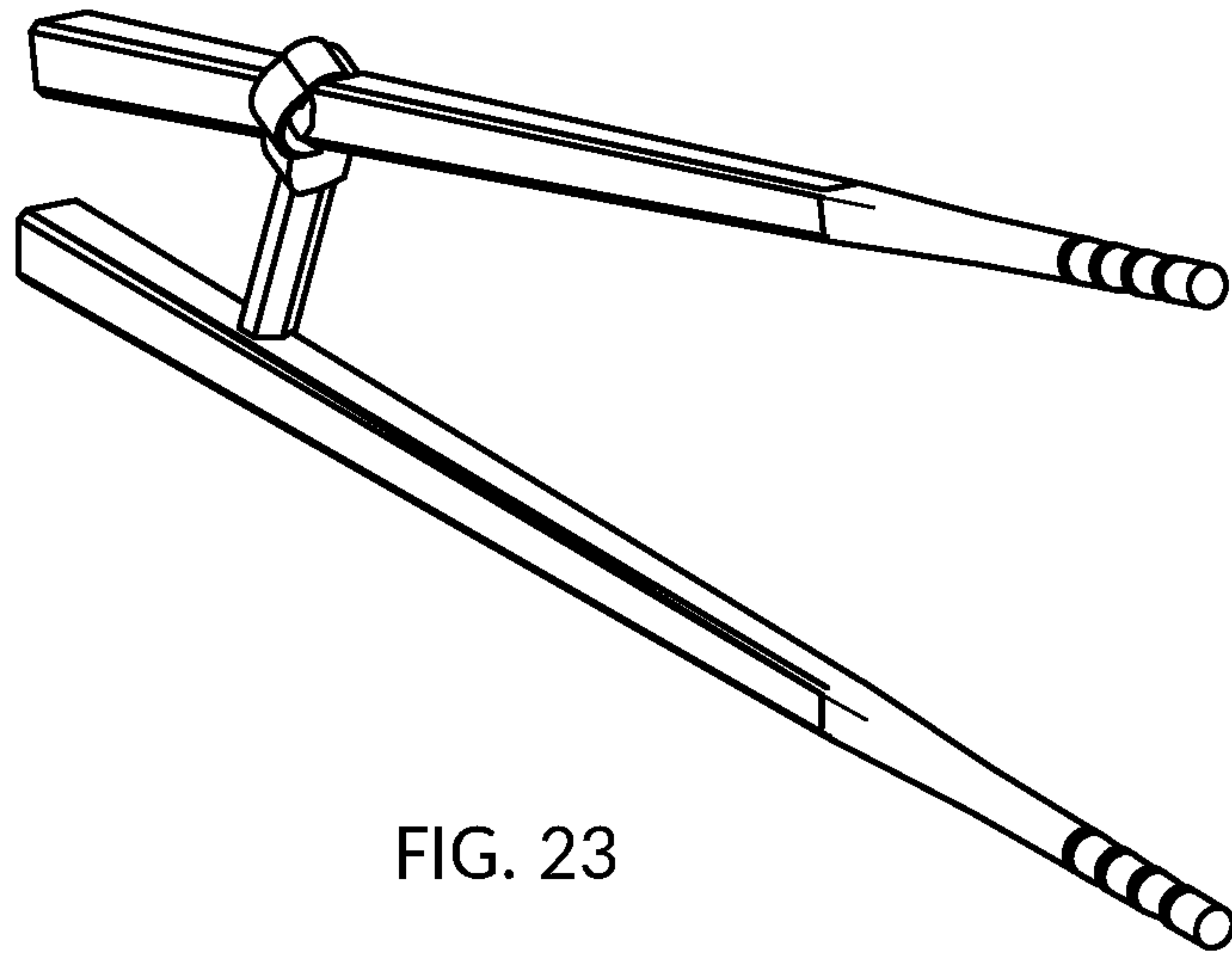


FIG. 23

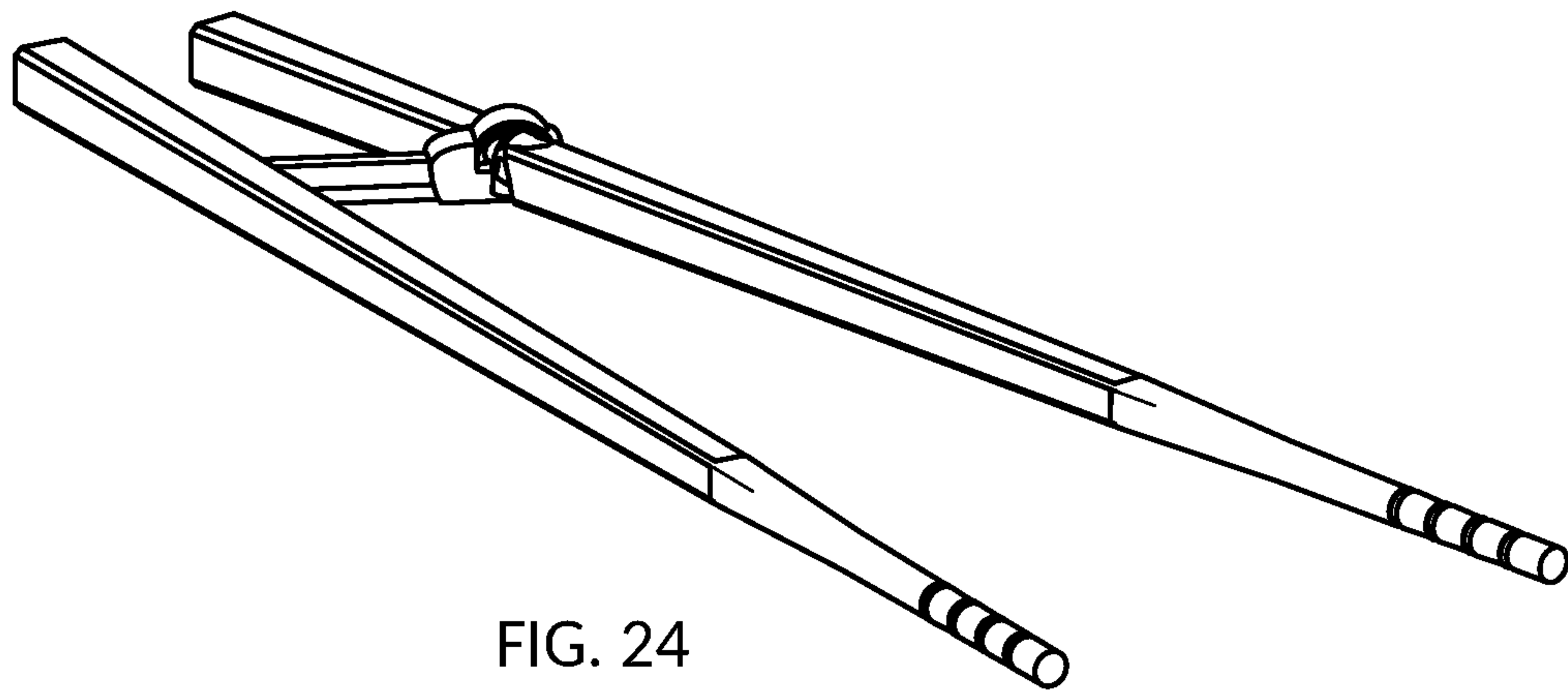
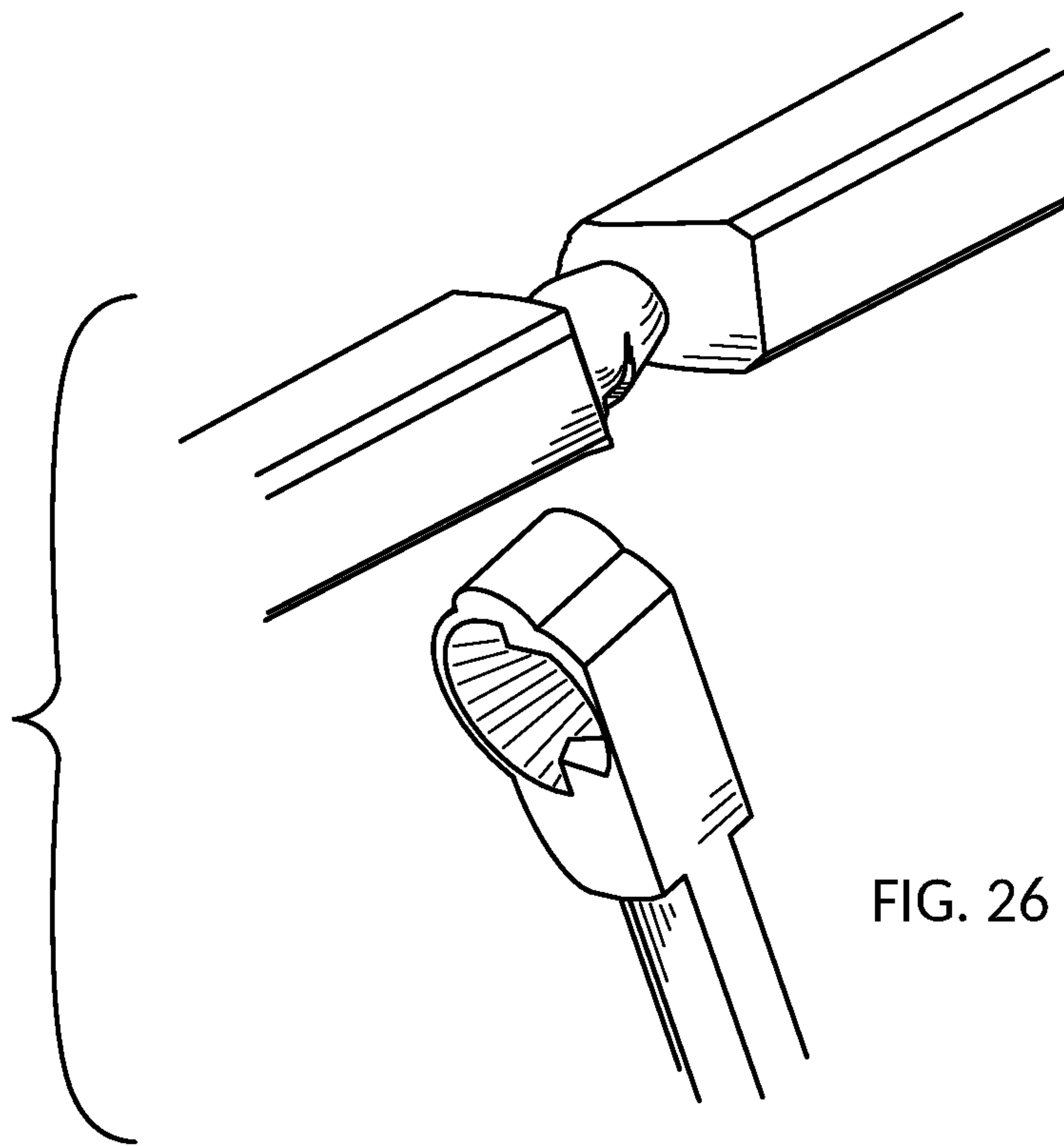
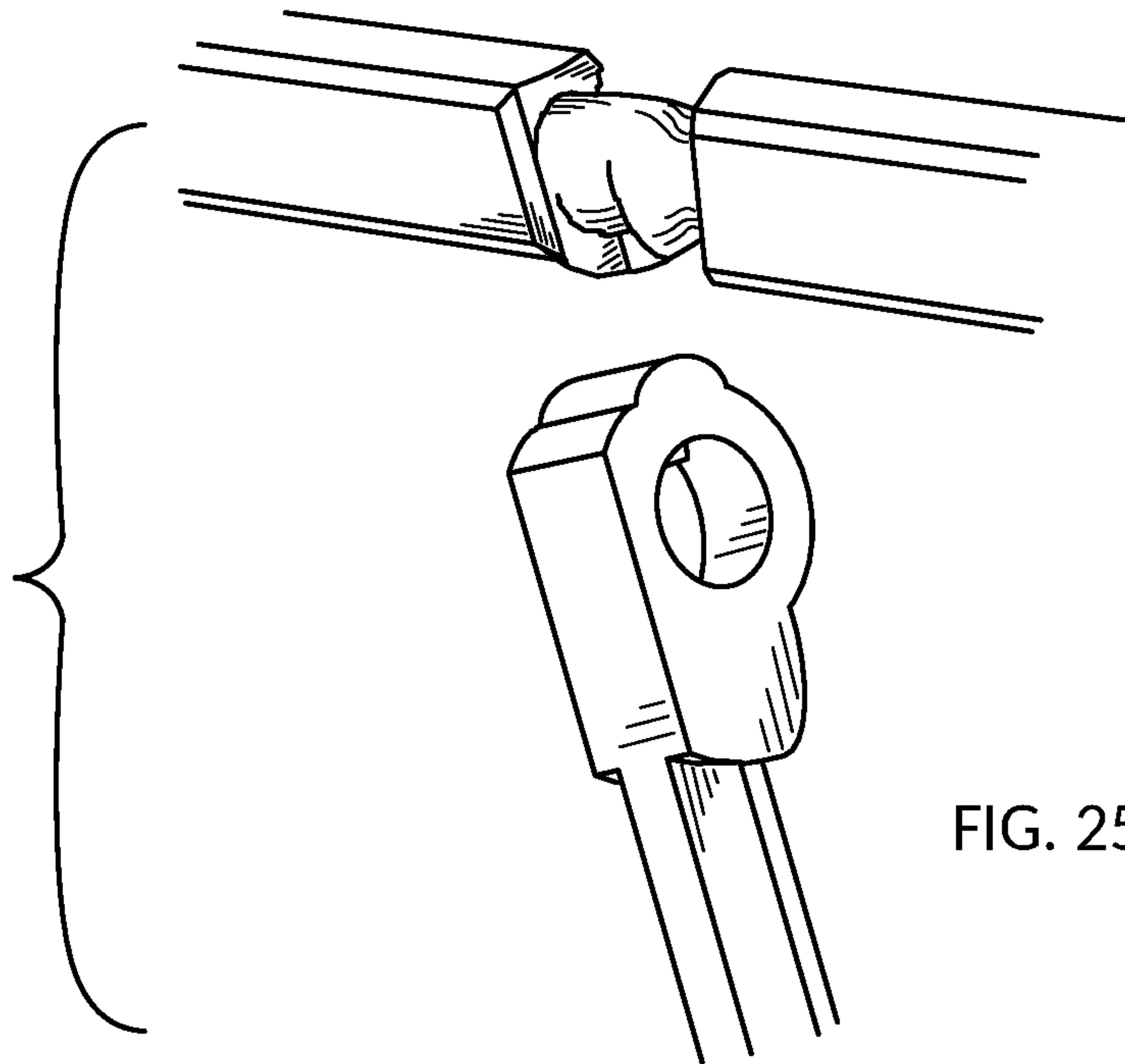
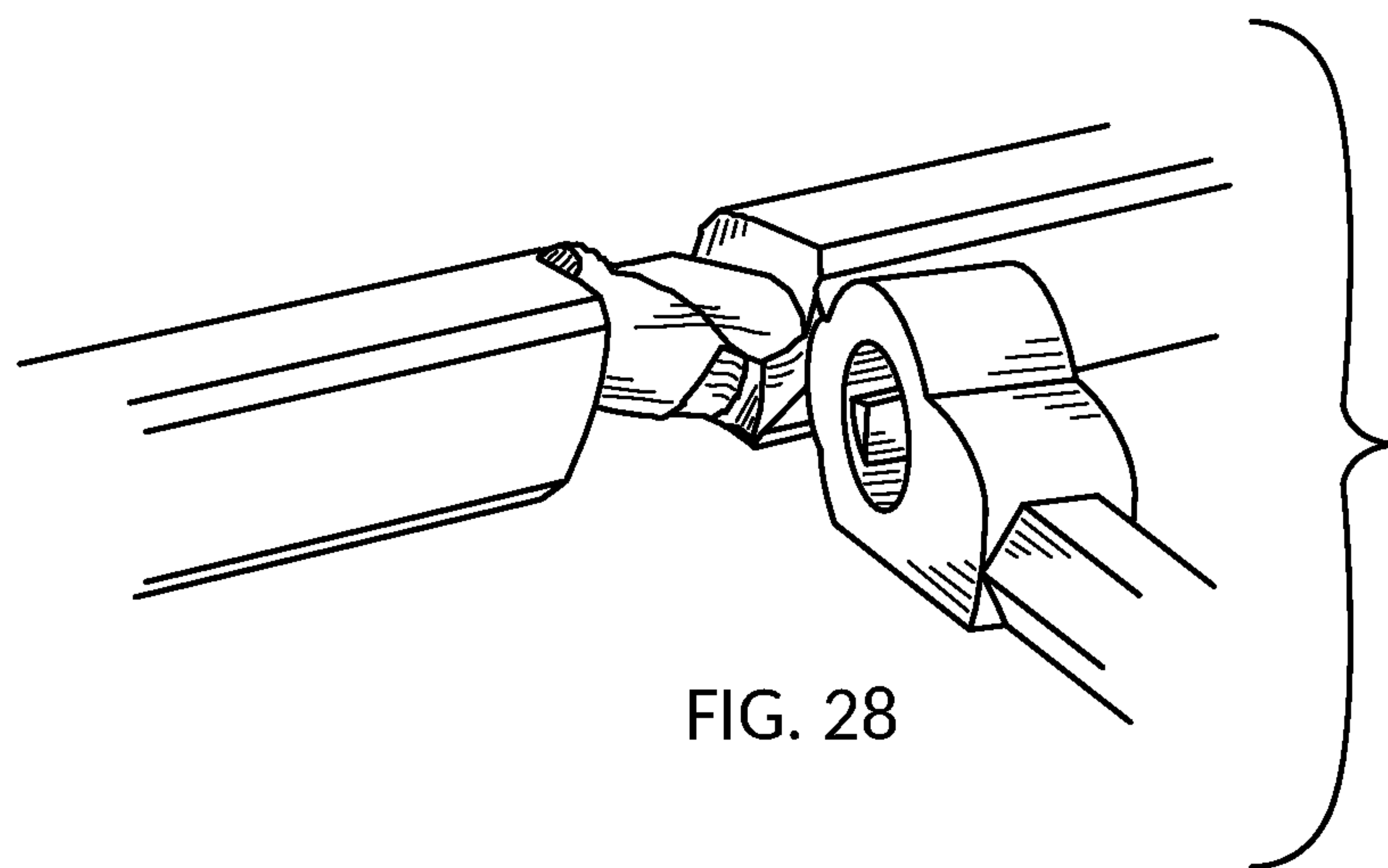
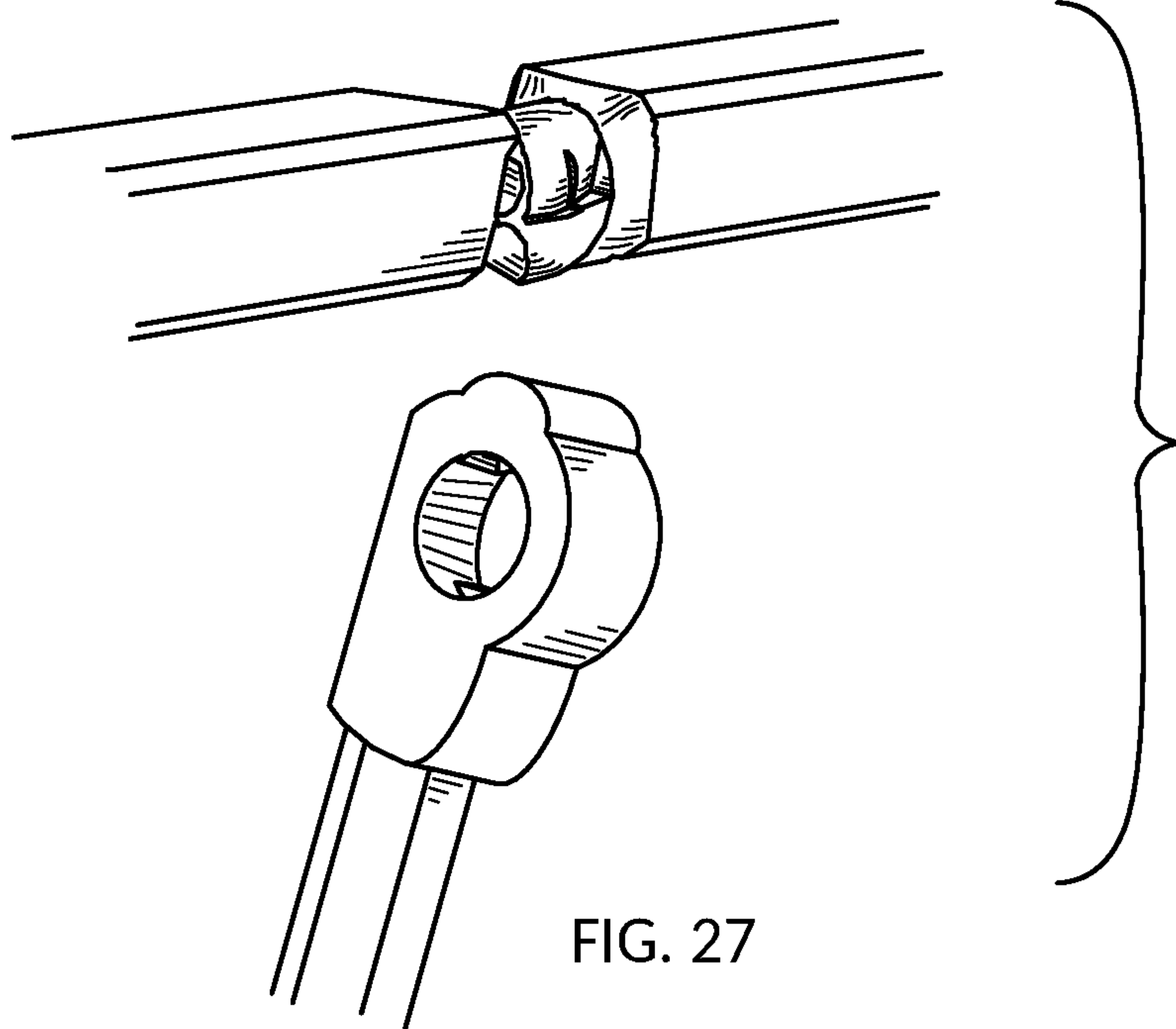
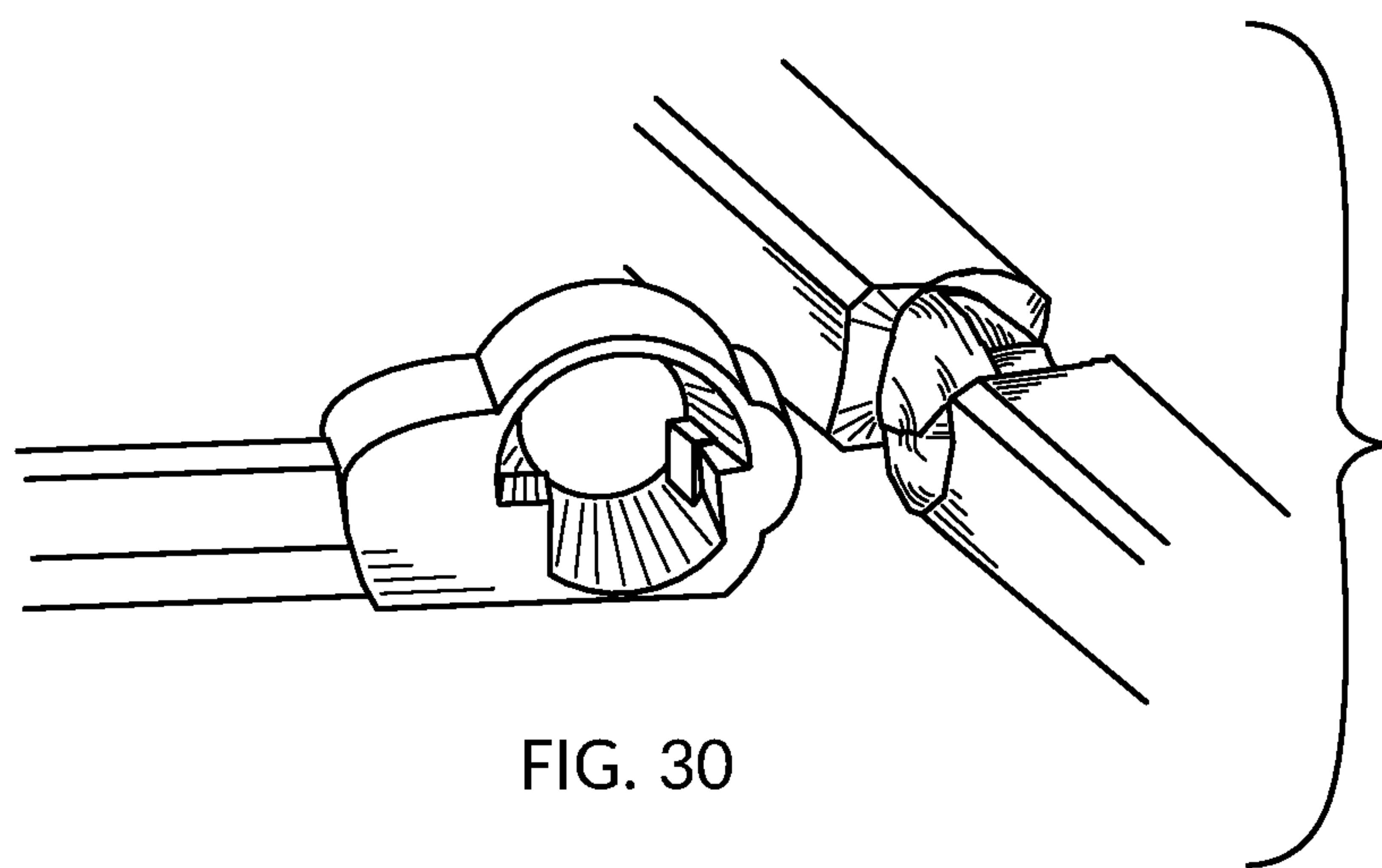
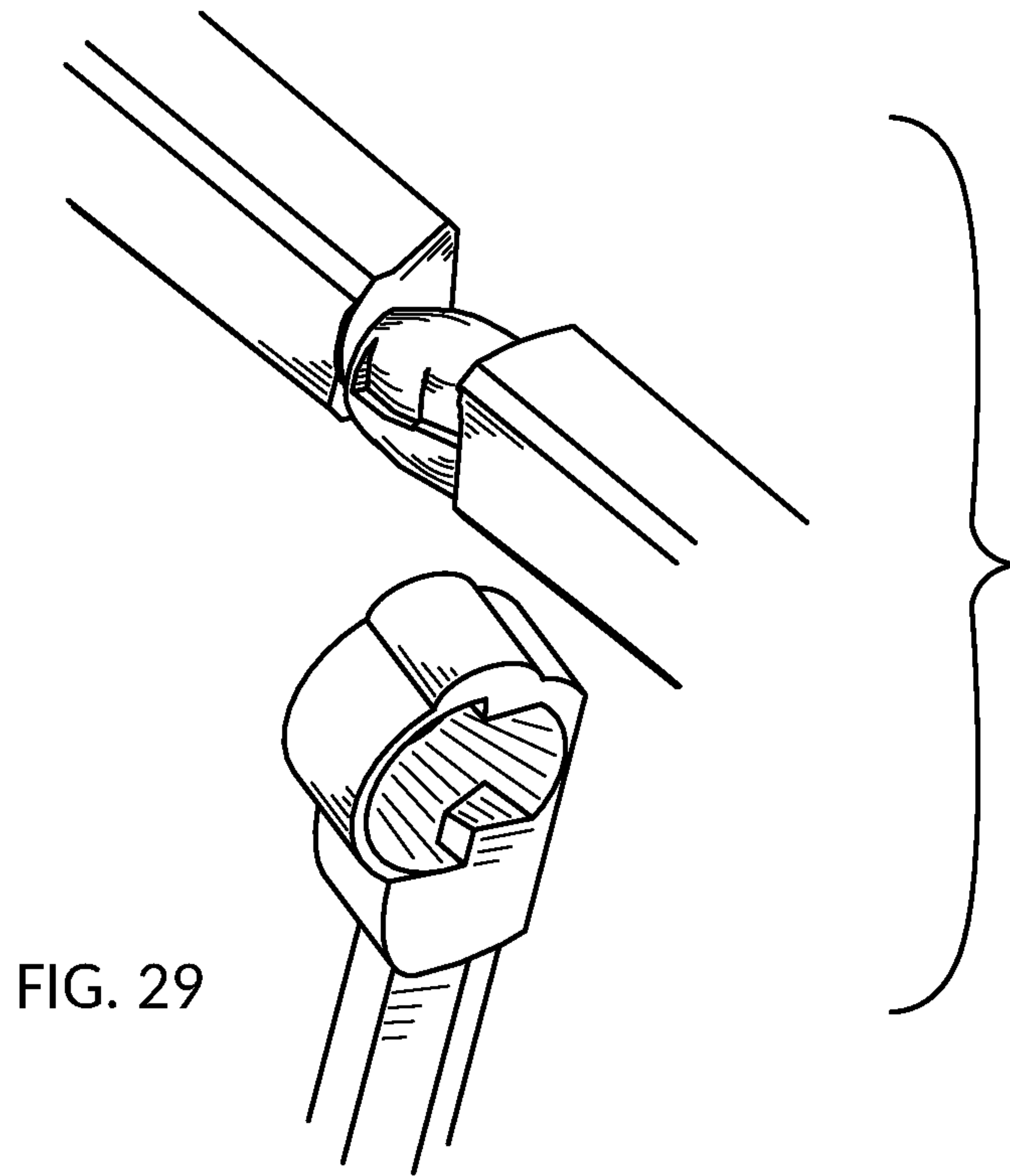


FIG. 24







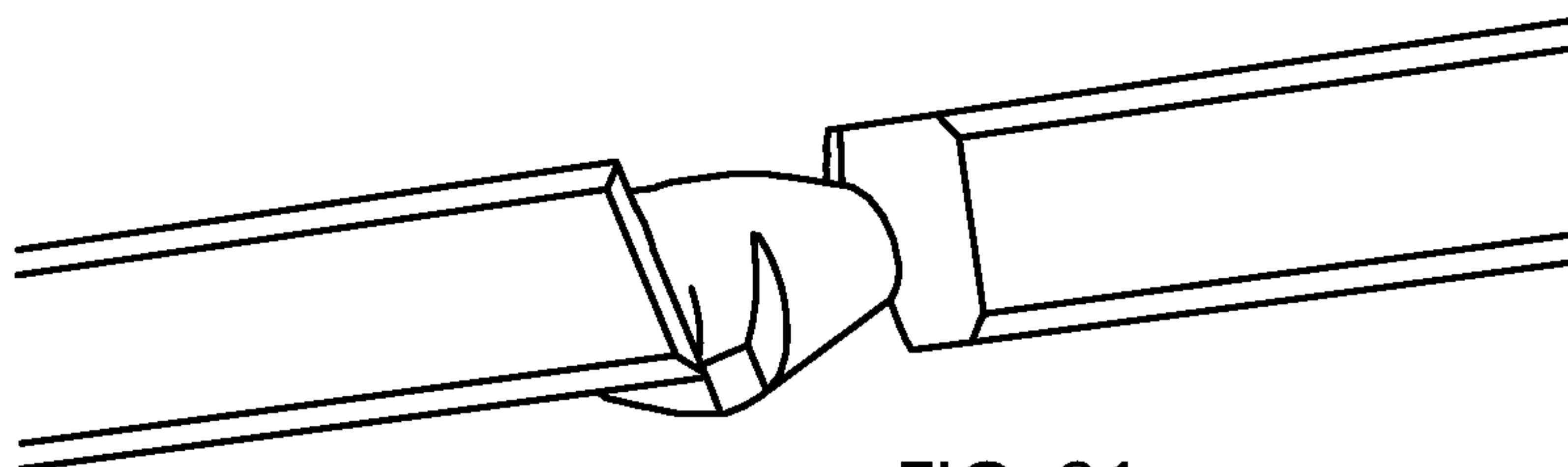


FIG. 31

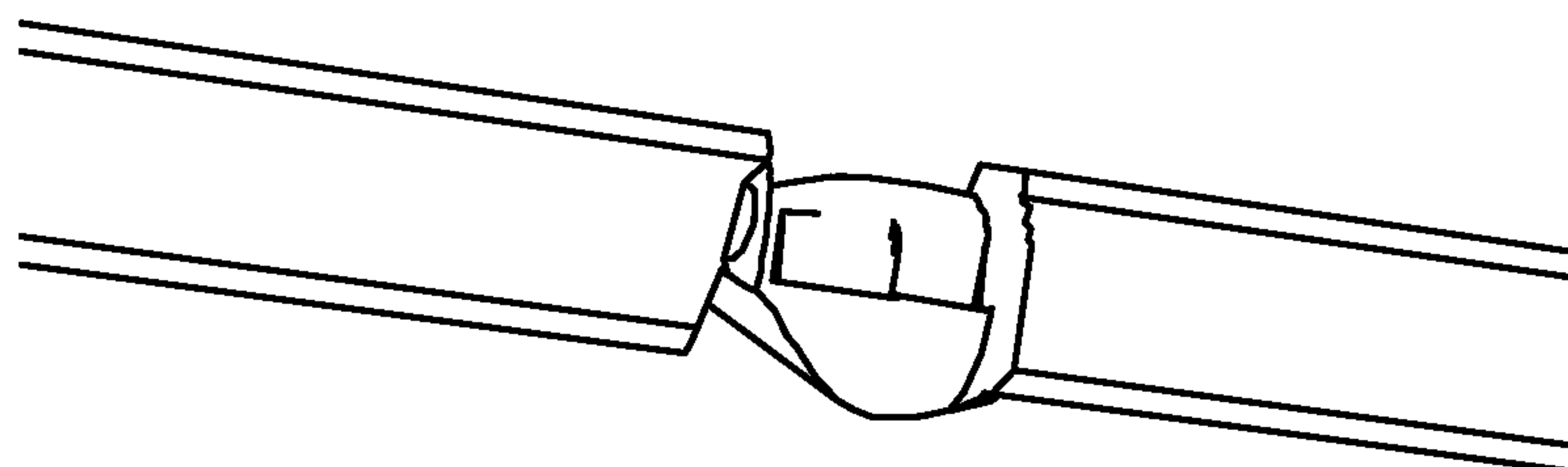


FIG. 32

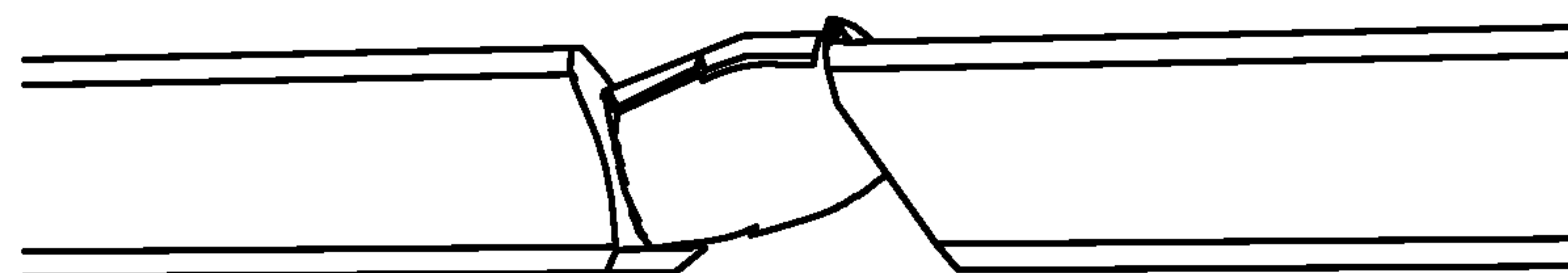


FIG. 33

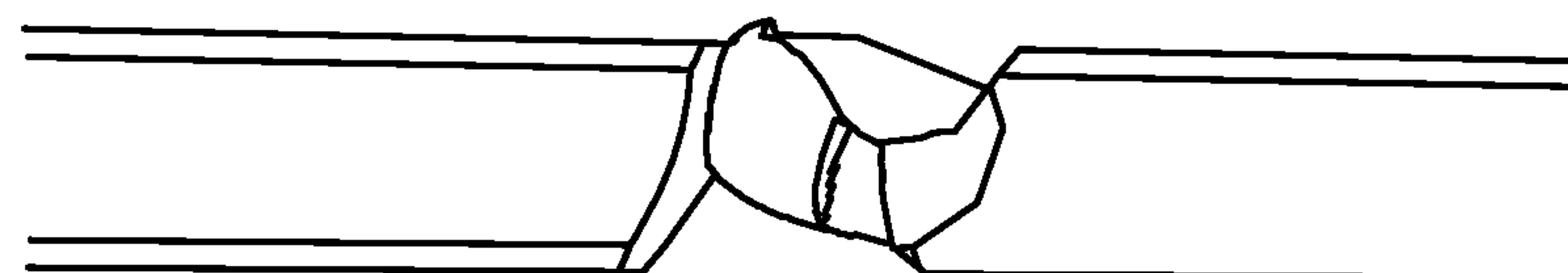


FIG. 34

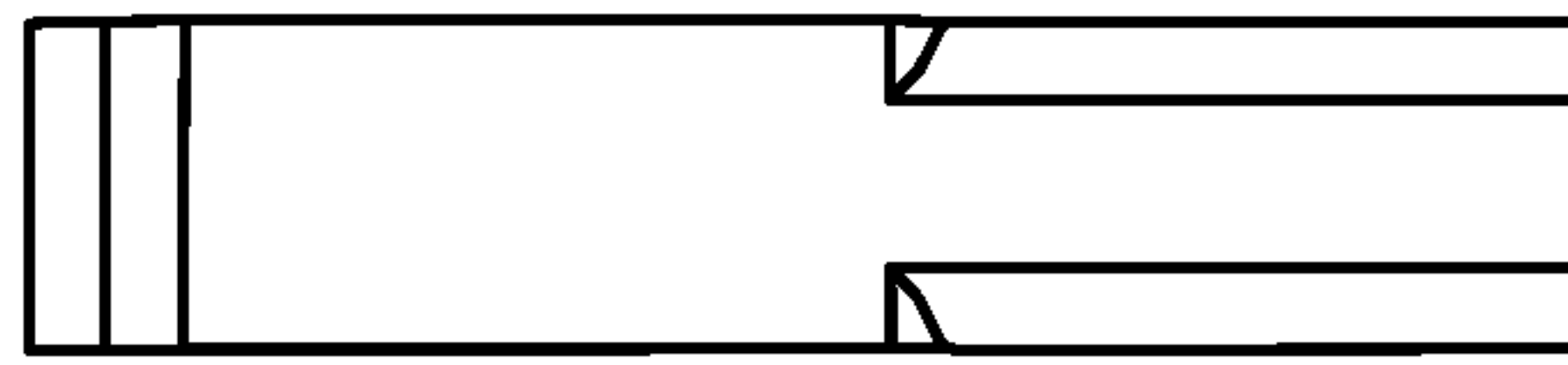


FIG. 35

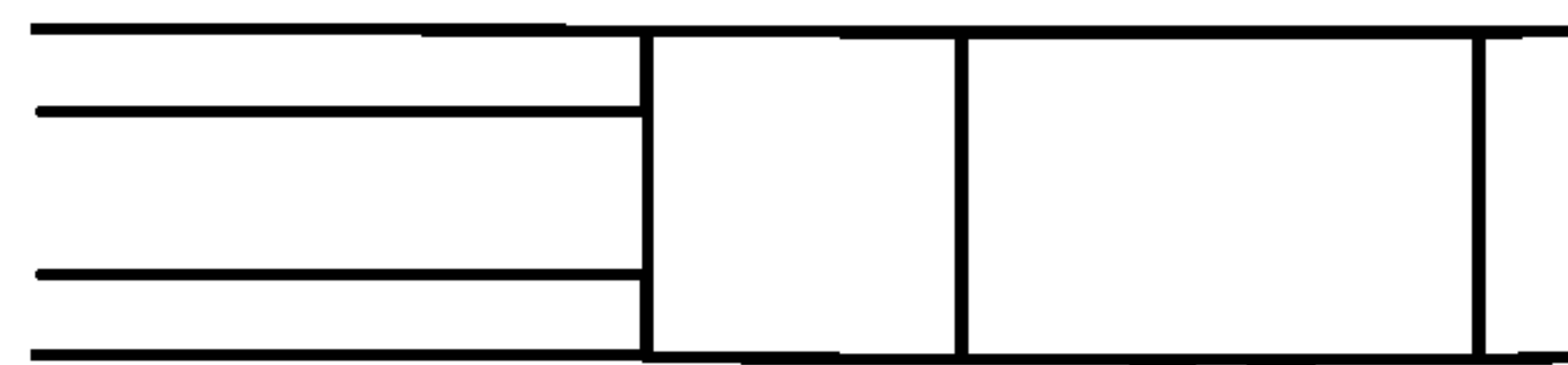


FIG. 36

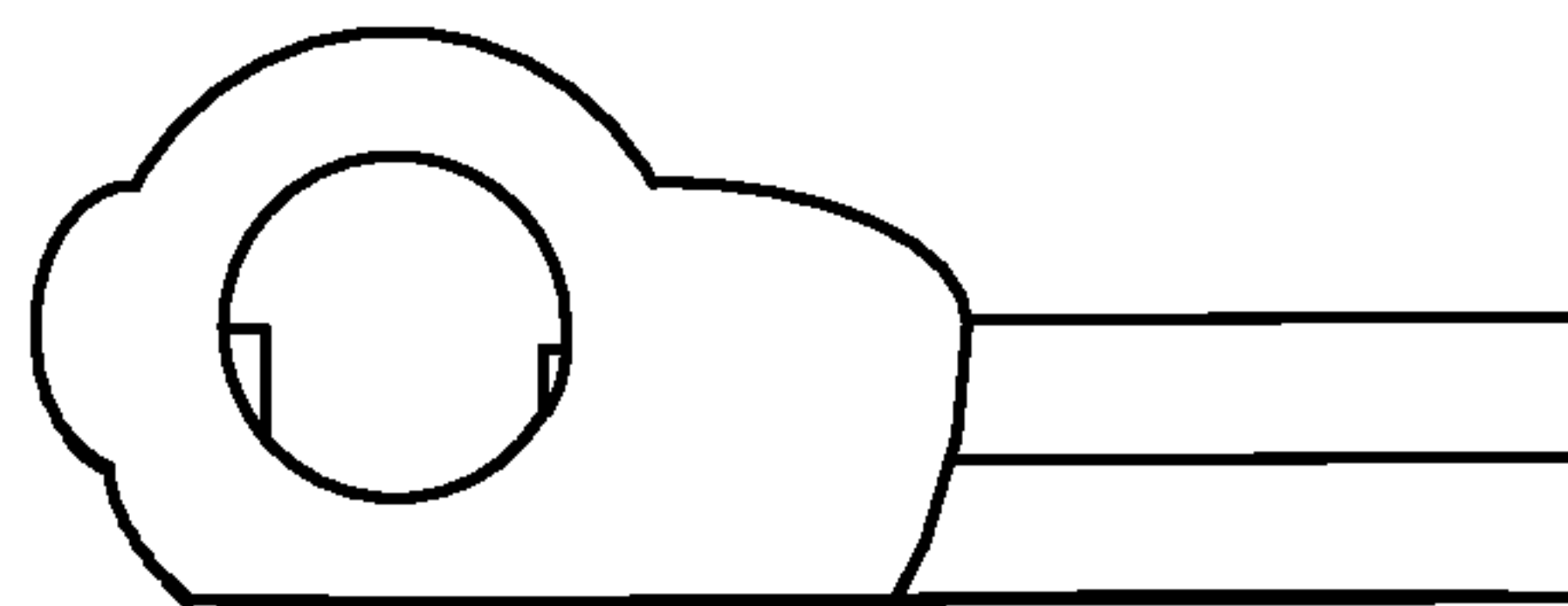


FIG. 37

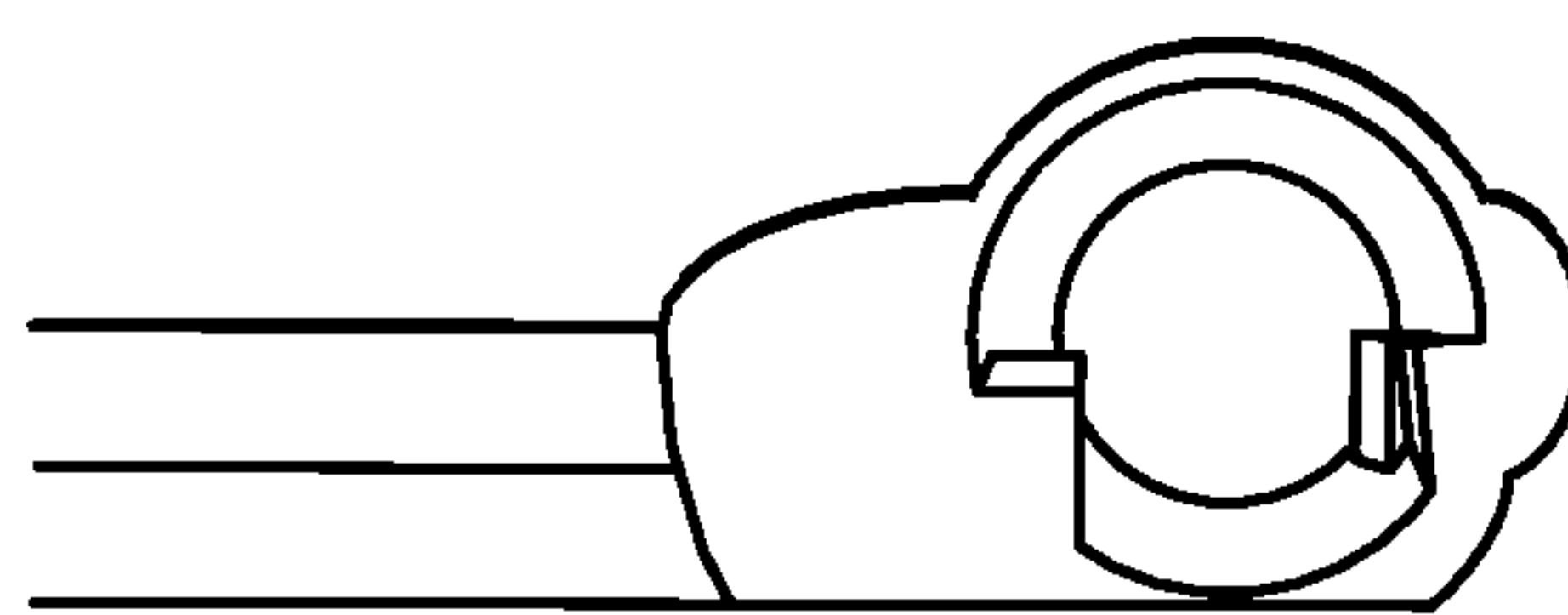


FIG. 38

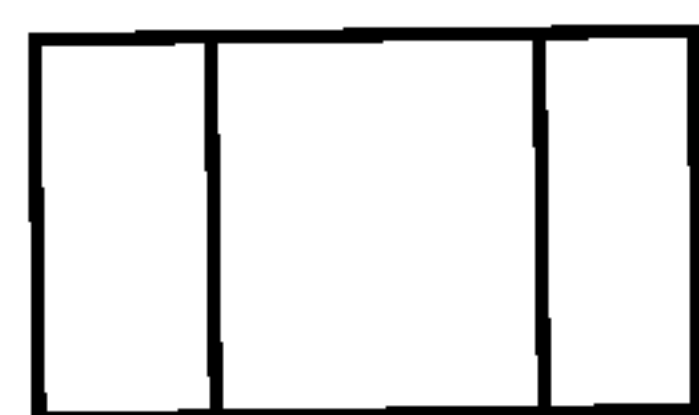


FIG. 39

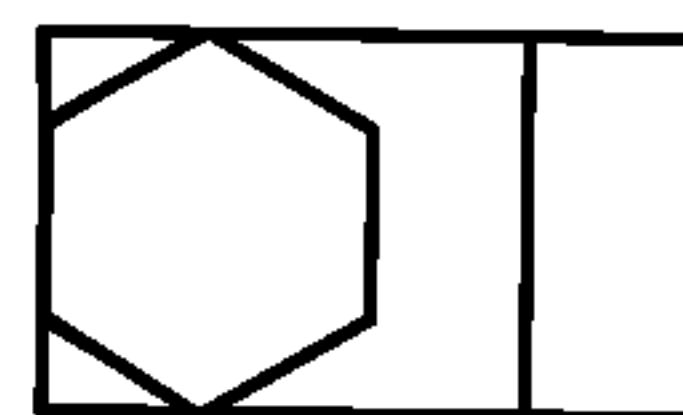


FIG. 40