

US00D933429S

(12) **United States Design Patent** (10) **Patent No.:** **US D933,429 S**  
**Hu** (45) **Date of Patent:** **\*\* Oct. 19, 2021**

(54) **RACK FOR CUP HOLDER**

(71) Applicant: **Yajun Hu**, El Dorado Hills, CA (US)

(72) Inventor: **Yajun Hu**, El Dorado Hills, CA (US)

(73) Assignees: **Yajun Hu**, El Dorado Hills, CA (US);  
**EUREKA LLC.**, El Dorado Hills, CA (US)

(\*\*) Term: **15 Years**

(21) Appl. No.: **29/732,755**

(22) Filed: **Apr. 27, 2020**

(51) **LOC (13) Cl.** ..... **07-06**

(52) **U.S. Cl.**  
USPC ..... **D7/620**

(58) **Field of Classification Search**  
USPC ..... D7/619.1-625; D12/411, 419, 420  
CPC ..... B60N 3/10; B60N 3/102; B60N 3/103;  
B60N 3/105; B60N 3/106; B60N 3/18;  
A47G 23/0216; A47G 23/02; A47G  
23/0208; A47G 23/0225; A47G 23/0241;  
A47G 23/0266; A47C 7/622; A47C 7/62;  
A47C 7/624

See application file for complete search history.

(56) **References Cited**

U.S. PATENT DOCUMENTS

D295,126 S 4/1988 Chap  
5,078,282 A 1/1992 Stanfield  
5,302,000 A \* 4/1994 Ayotte ..... A47C 7/624  
297/188.14  
D453,095 S \* 1/2002 Bailey ..... D7/620  
D523,705 S \* 6/2006 Baida ..... D7/620

D634,991 S 3/2011 Chen  
D654,322 S \* 2/2012 Duncan ..... D7/620  
D673,816 S \* 1/2013 Phillips ..... D7/620  
D680,381 S 4/2013 Tsai  
D680,383 S 4/2013 Tsai  
D680,384 S 4/2013 Tsai  
D696,908 S 1/2014 Hsu  
8,870,023 B2 10/2014 Tsai  
9,109,744 B1 \* 8/2015 Guerrero ..... A47G 23/02  
2012/0007394 A1 \* 1/2012 Nelson ..... A47C 7/62  
297/188.18  
2012/0086245 A1 \* 4/2012 Nelson ..... A47C 7/624  
297/188.18

\* cited by examiner

*Primary Examiner* — Terry A Wallace

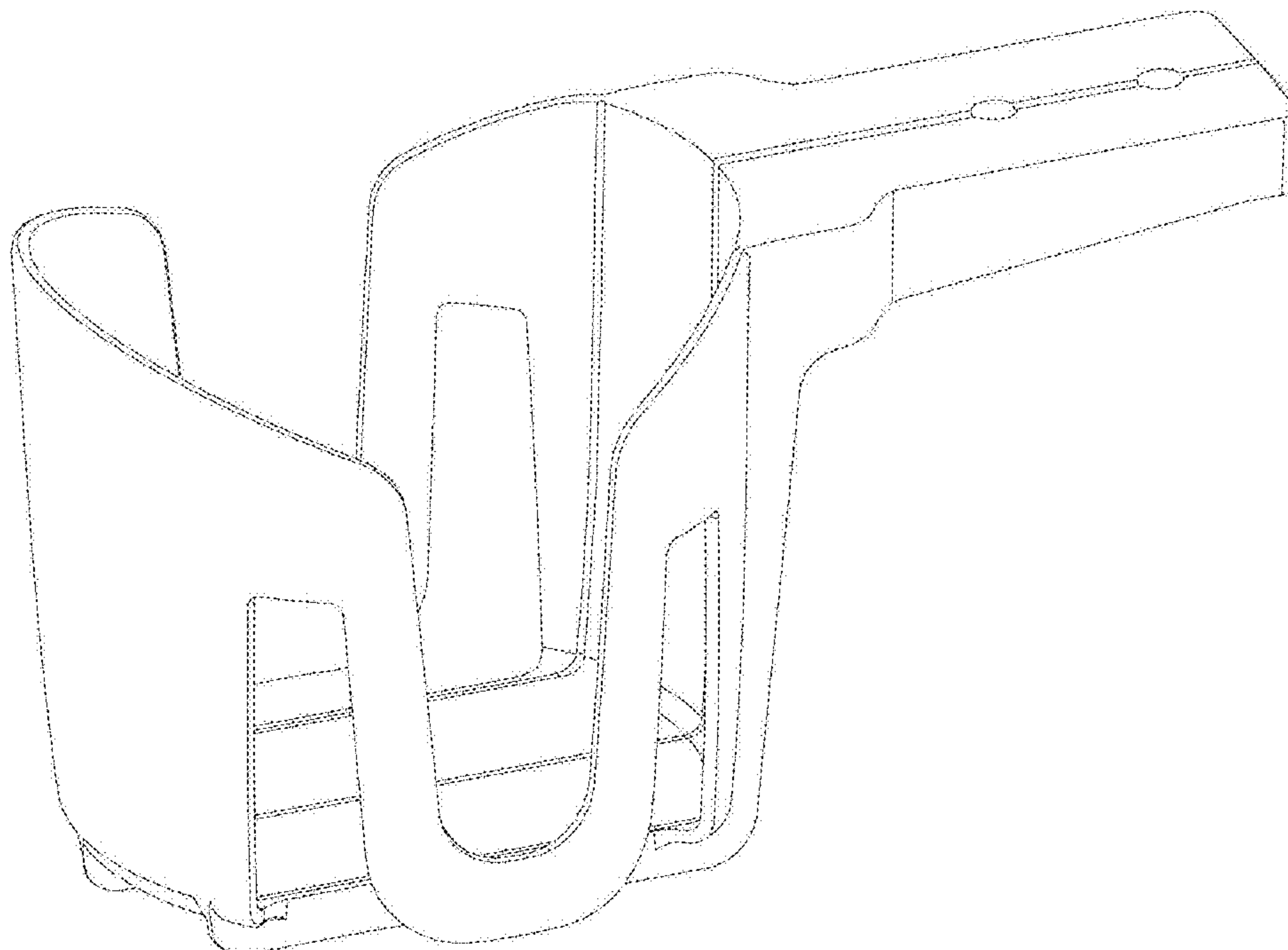
(57) **CLAIM**

The ornamental design for a rack for cup holder, as shown and described.

**DESCRIPTION**

FIG. 1 is a perspective view of a rack for cup holder, showing my new design;  
FIG. 2 is a front view thereof;  
FIG. 3 is a bottom view thereof;  
FIG. 4 is a top view thereof;  
FIG. 5 is a rear side view thereof;  
FIG. 6 is a left side view thereof;  
FIG. 7 is a right side view thereof; and,  
FIG. 8 is a perspective view of rack for cup holder for holding cup on a desk.  
The broken line portion of the figure drawings is included to show portions of the article that forms no part of the claimed design.

**1 Claim, 8 Drawing Sheets**



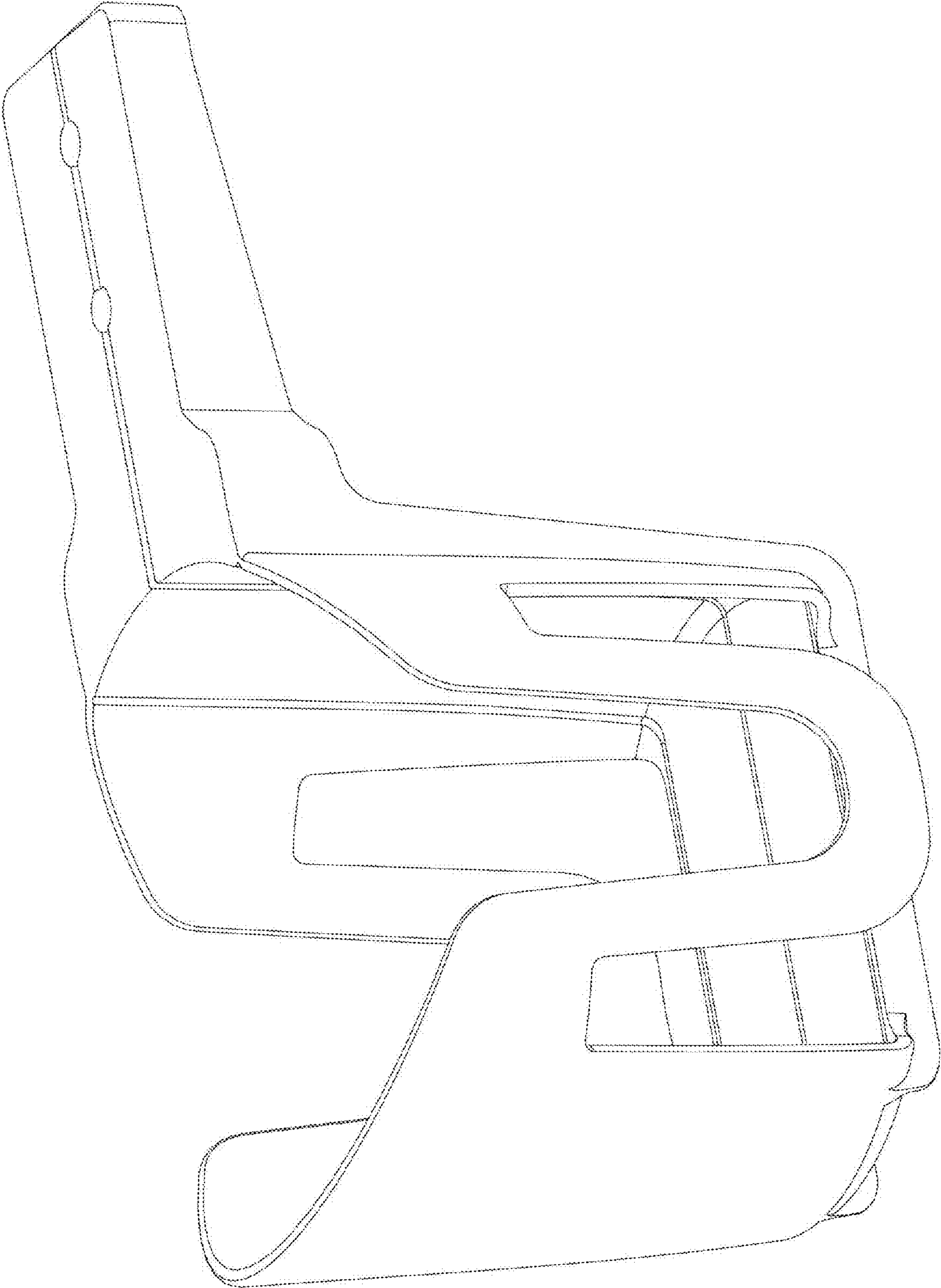


FIG.1

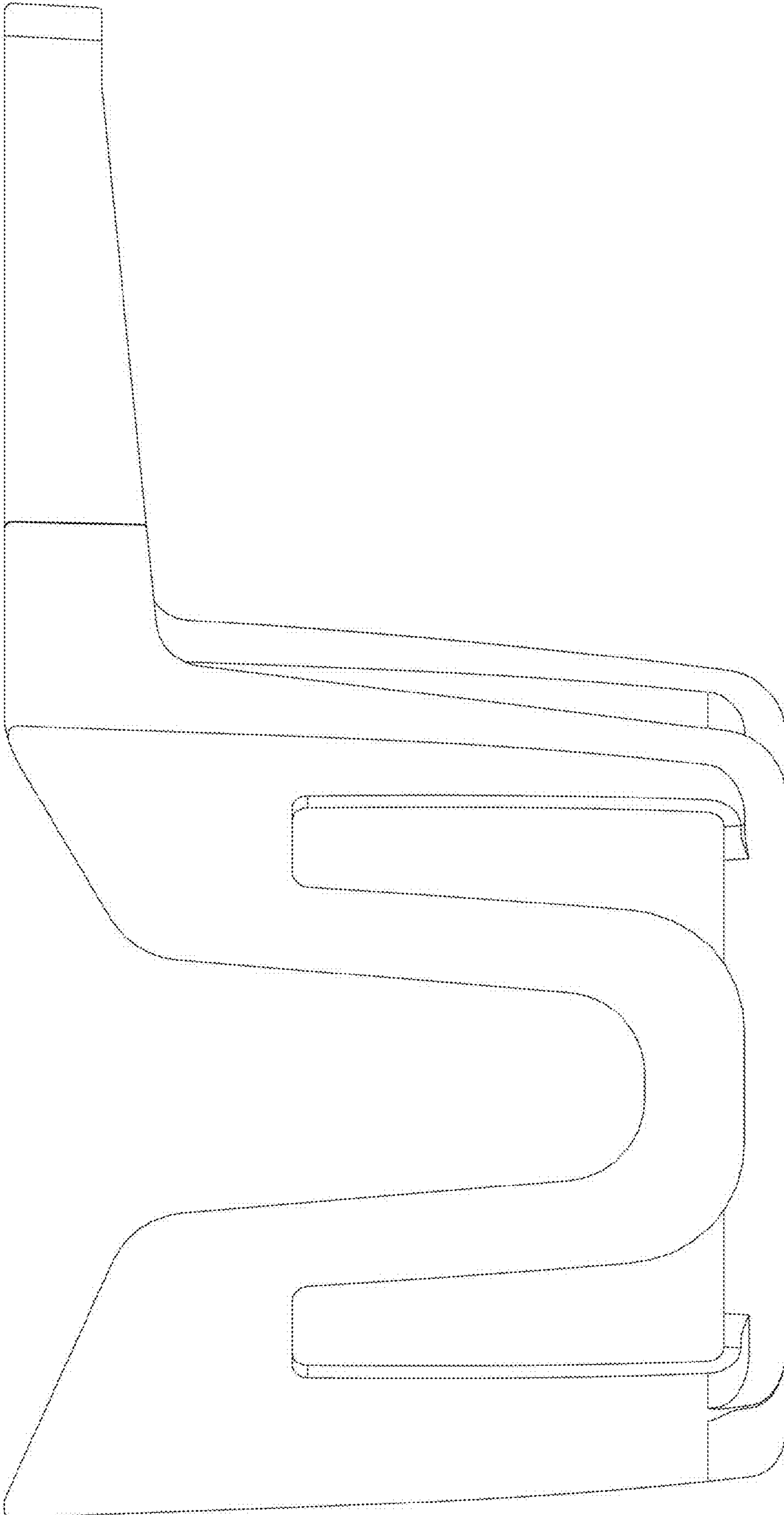


FIG.2

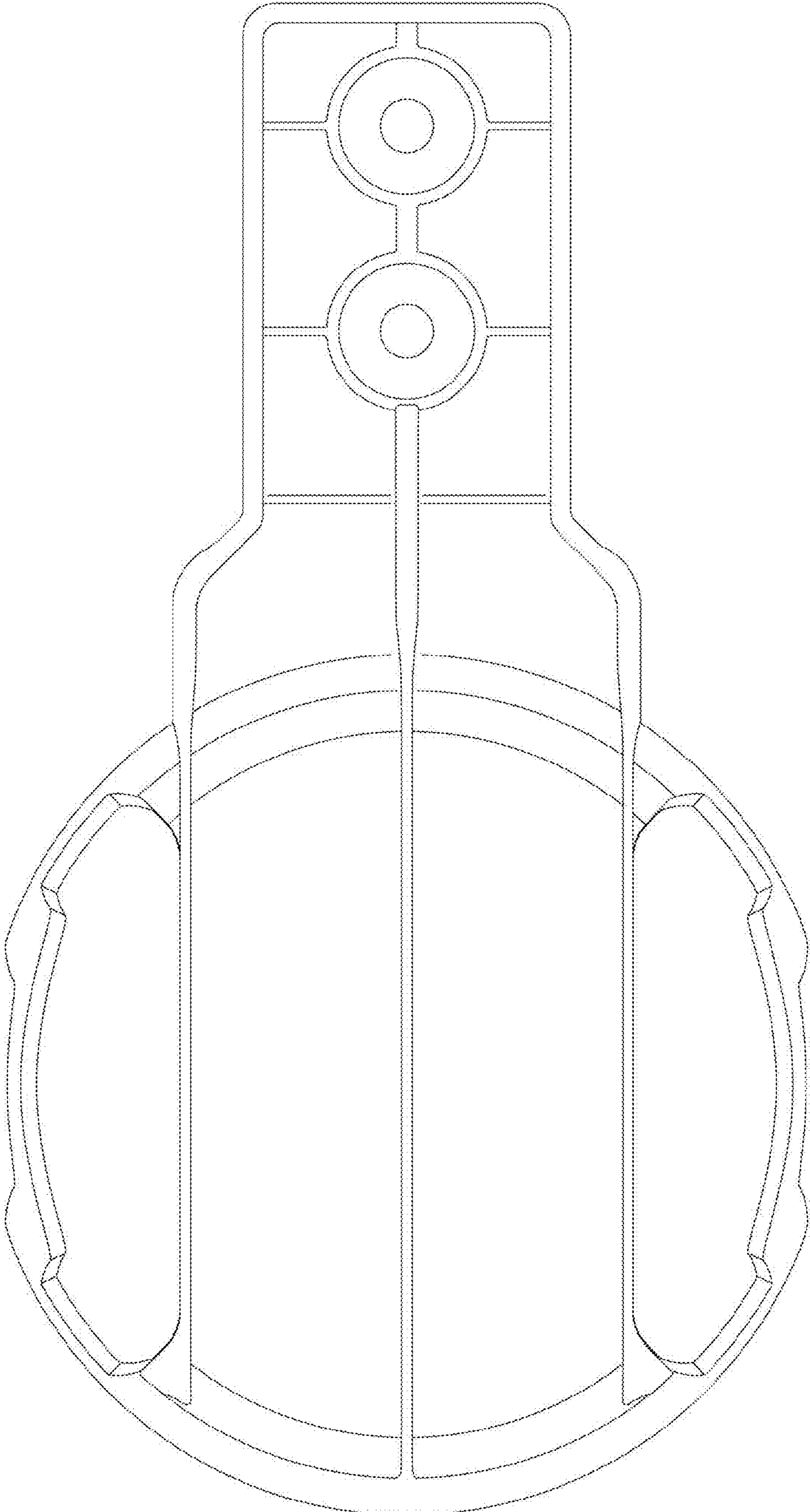


FIG.3



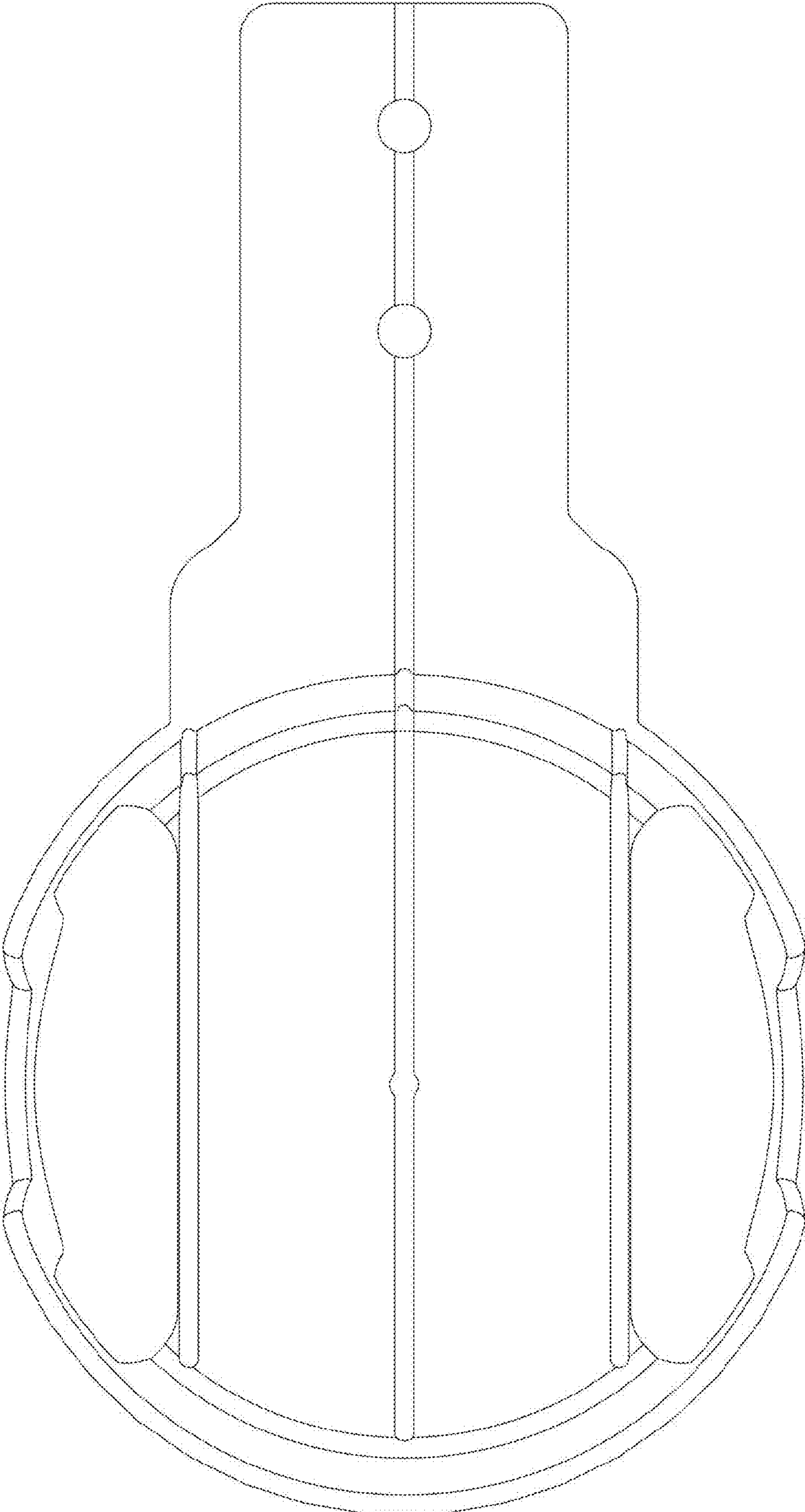


FIG.4

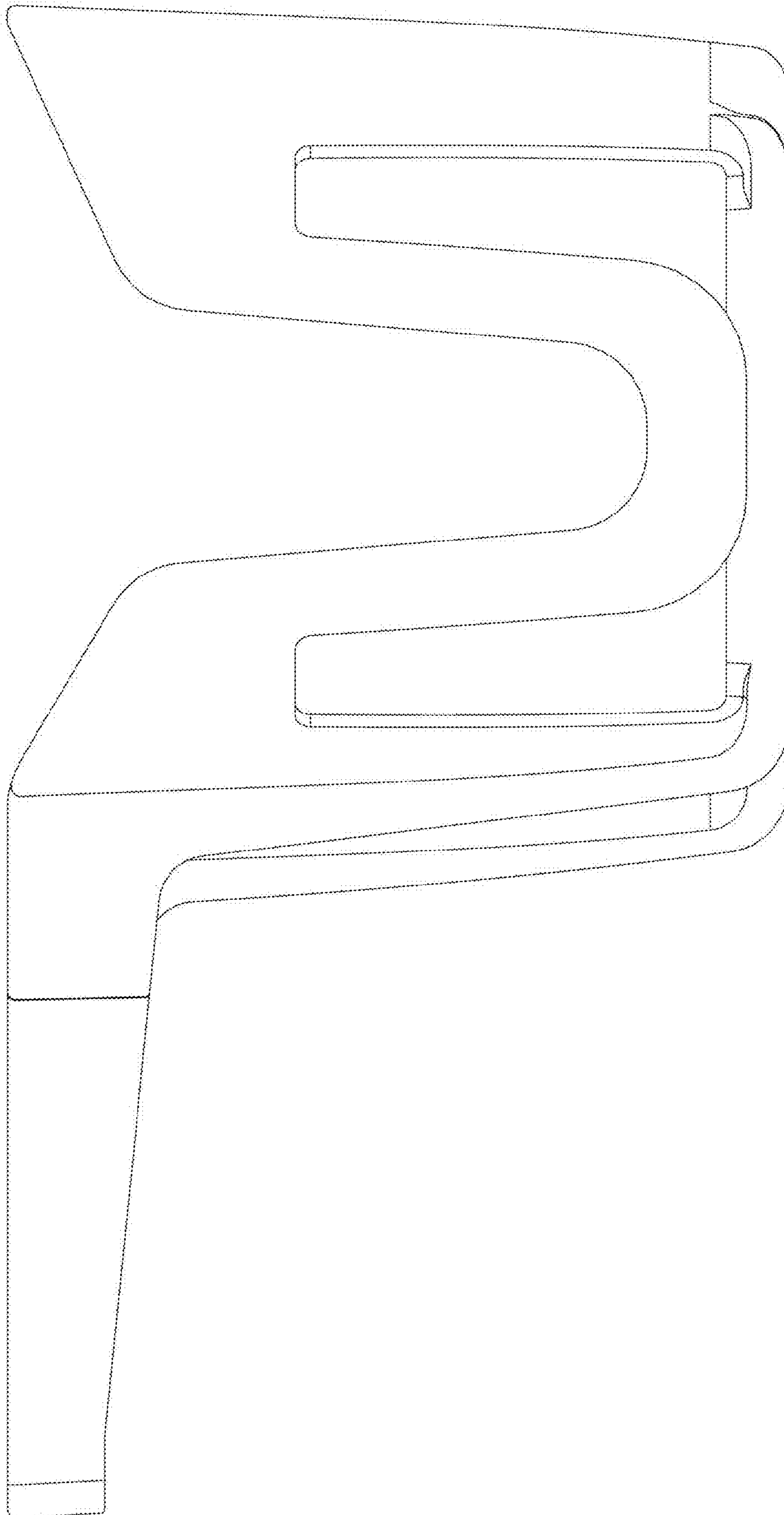


FIG.5

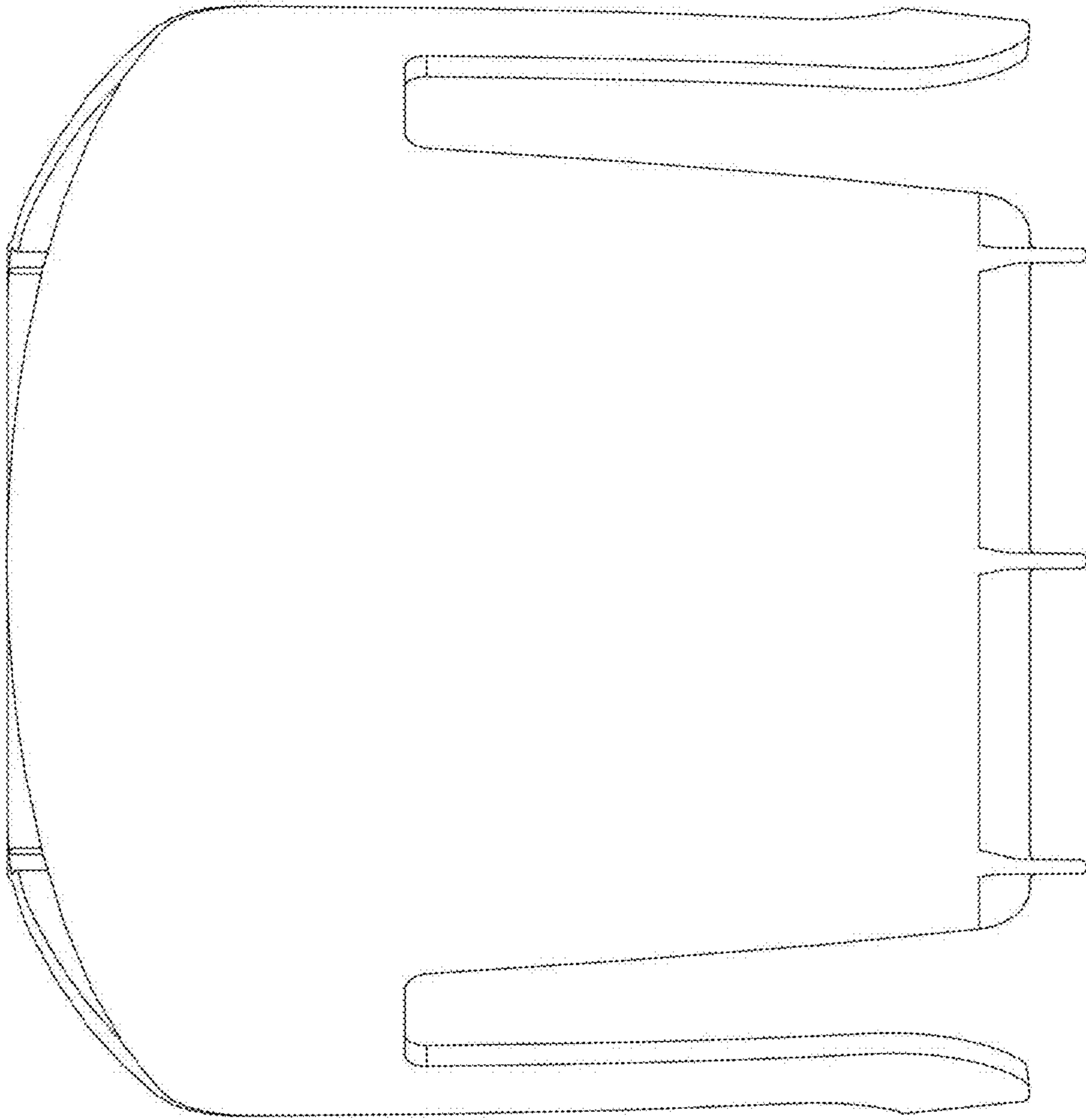


FIG. 6

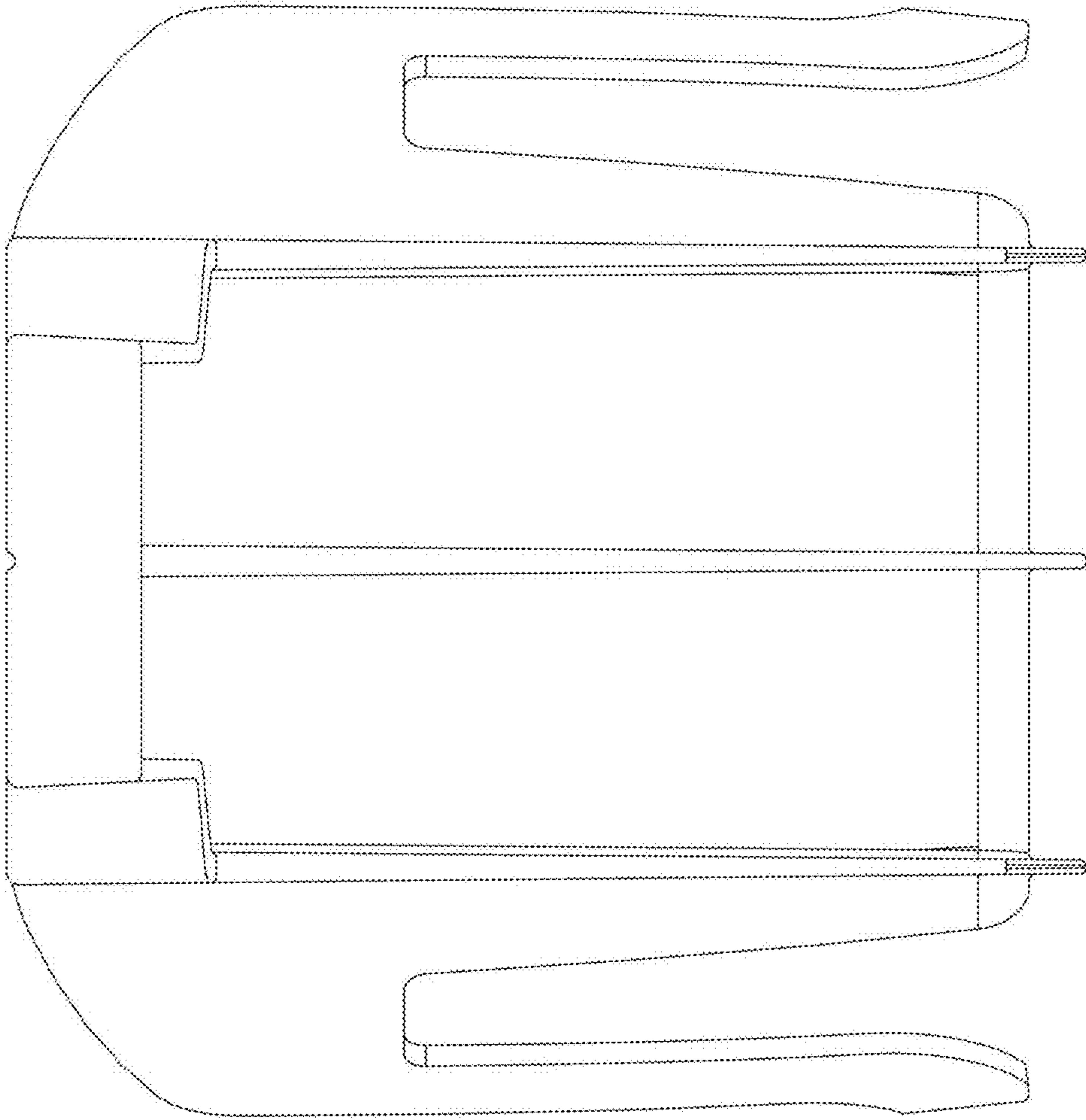


FIG.7



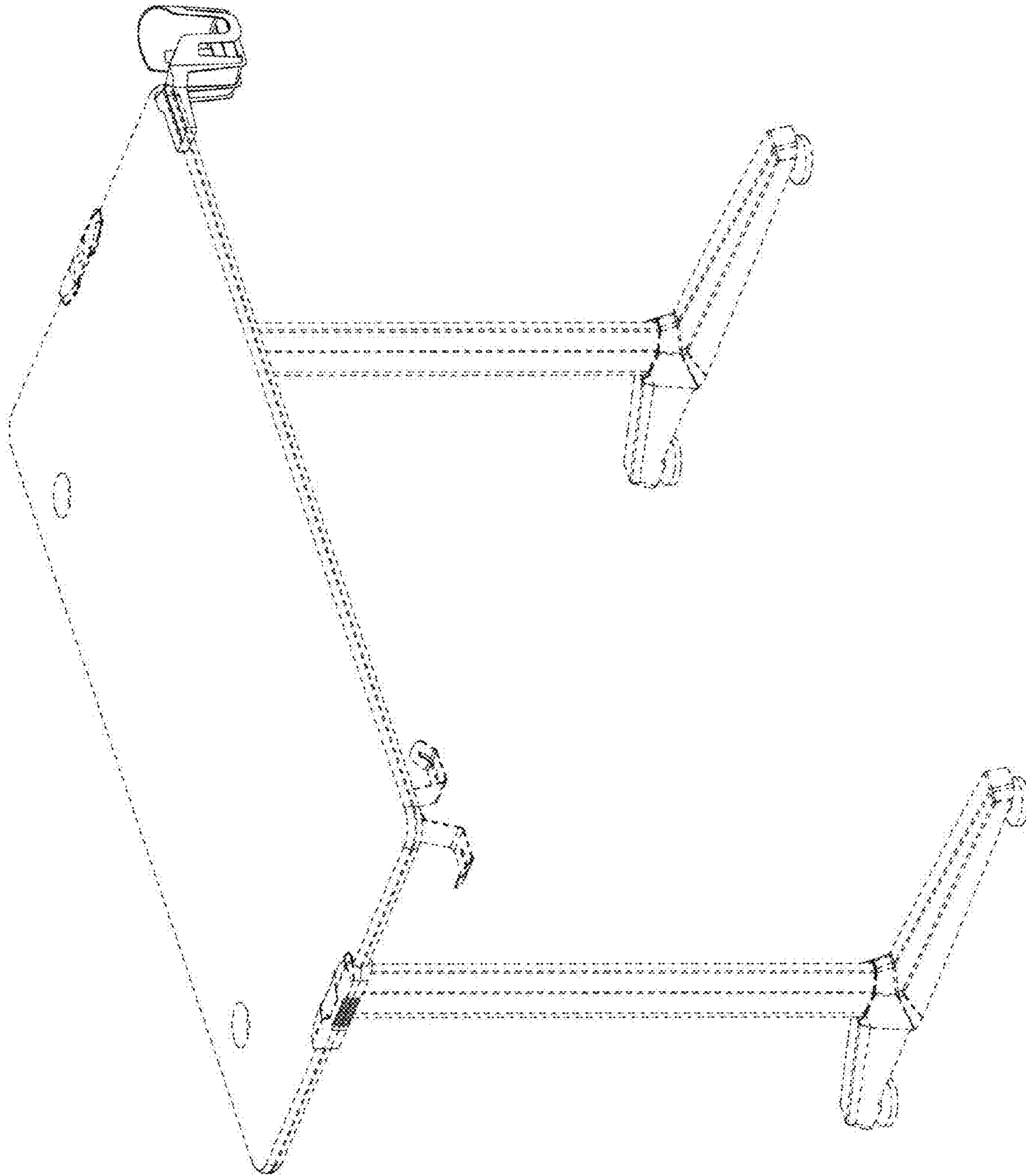


FIG.8