

US00D933428S

(12) **United States Design Patent** (10) **Patent No.:** **US D933,428 S**
Ellison et al. (45) **Date of Patent:** **** Oct. 19, 2021**

- (54) **BOWL** 2,816,589 A * 12/1957 Tupper A47G 19/30
220/305
- (71) Applicant: **YETI Coolers, LLC**, Austin, TX (US) 3,307,602 A 3/1967 Boster
- 3,391,847 A * 7/1968 Christine B65D 51/185
229/123.1
- (72) Inventors: **Kyle Ellison**, Austin, TX (US); **Dustin Bullock**, Austin, TX (US); **Colin Darling**, Austin, TX (US)
D243,912 S 4/1977 Daenen
D250,929 S 1/1979 Gerstman et al.
D251,650 S 4/1979 Heller
D256,310 S 8/1980 Daenen
4,471,880 A 9/1984 Taylor et al.
D286,726 S 11/1986 Daenen et al.
4,809,868 A 3/1989 Pomroy
D304,275 S 10/1989 Kiefer
5,105,768 A 4/1992 Johnson
5,161,711 A 11/1992 Picozza et al.
5,209,184 A 5/1993 Sharkan et al.
D340,554 S 10/1993 Wheeler
5,258,191 A 11/1993 Hayes
D344,210 S 2/1994 Cousins et al.
D347,359 S 5/1994 Robbins, III
5,409,126 A 4/1995 DeMars
D376,960 S 12/1996 Ferris
5,579,946 A 12/1996 Rowan et al.
D382,766 S 8/1997 Hamada et al.
D383,646 S 9/1997 Jeppesen et al.
5,709,316 A 1/1998 Jolly et al.
D391,118 S 2/1998 Jørgensen
D394,189 S 5/1998 Reynaert et al.
5,752,464 A 5/1998 King et al.
D412,226 S 7/1999 Bellehumeur
D426,427 S 6/2000 Rubbright et al.
D428,771 S 8/2000 Novi
D442,831 S 5/2001 Jacobs
D461,101 S 8/2002 Garbo
D473,752 S 4/2003 Kerr
D476,852 S 7/2003 Willis
D476,861 S 7/2003 Zettle et al.
D477,971 S 8/2003 Maier-Aichen
D478,253 S 8/2003 Maier-Aichen
D479,806 S 9/2003 Nilsson
D483,229 S 12/2003 Maier-Aichen
D485,126 S 1/2004 Watson
D485,127 S 1/2004 Maier-Aichen
D498,389 S 11/2004 Tollman
6,923,017 B2 8/2005 Dais et al.
D511,074 S 11/2005 Claypool et al.
7,040,249 B1 5/2006 Mushen
7,063,231 B2 6/2006 Stanos et al.
D543,787 S 6/2007 Wasserman et al.
D545,627 S 7/2007 Chatterton et al.
D547,125 S 7/2007 Wasserman et al.
D549,040 S 8/2007 Henry
D549,050 S 8/2007 Spencer et al.
- (73) Assignee: **YETI Coolers, LLC**, Austin, TX (US)
- (**) Term: **15 Years**
- (21) Appl. No.: **29/769,357**
- (22) Filed: **Feb. 4, 2021**

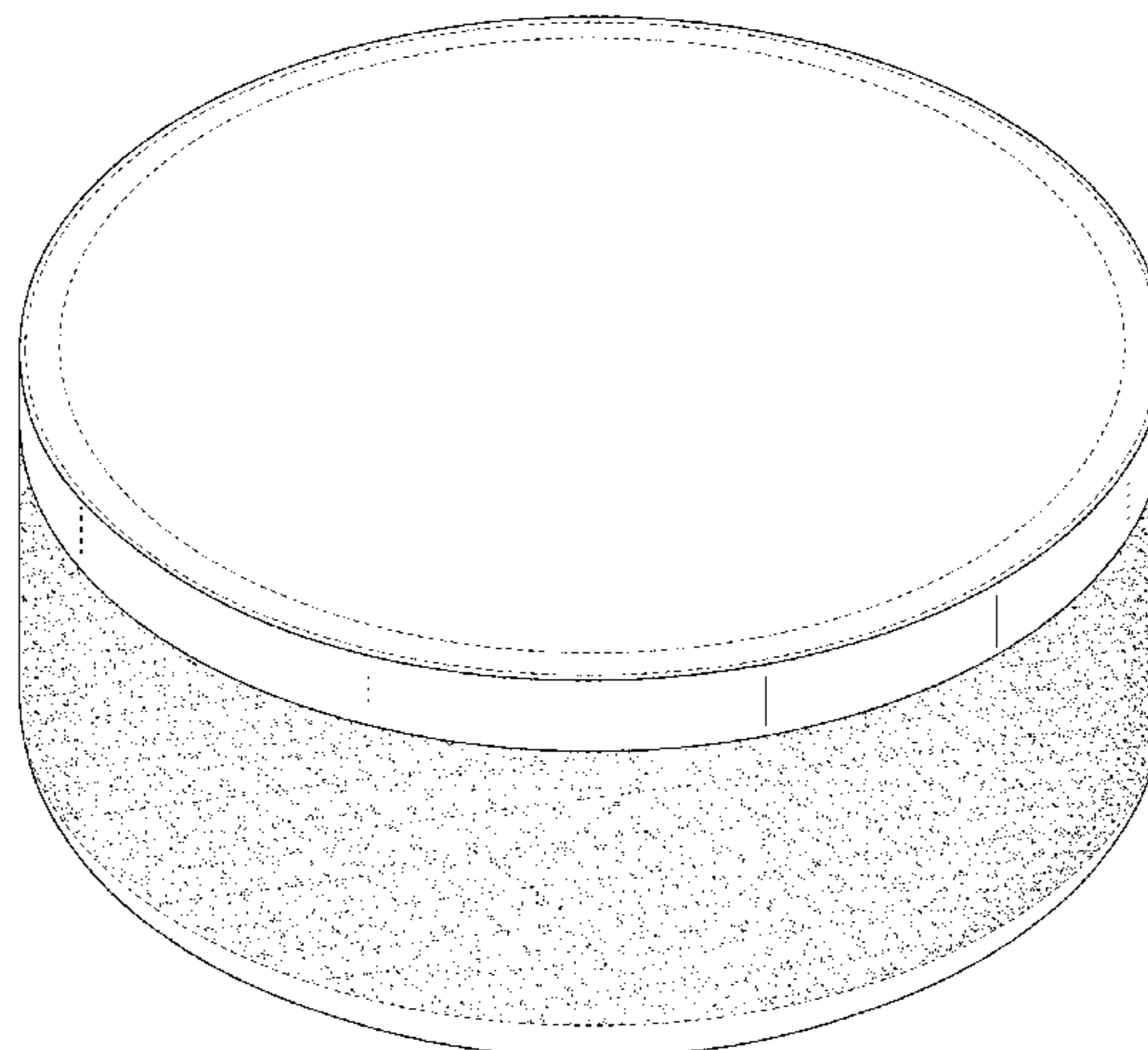
Related U.S. Application Data

- (63) Continuation of application No. 29/716,338, filed on Dec. 9, 2019, now Pat. No. Des. 909,819, which is a continuation of application No. 29/658,678, filed on Aug. 1, 2018, now Pat. No. Des. 871,159.
- (51) **LOC (13) Cl.** **07-01**
- (52) **U.S. Cl.**
USPC **D7/587**
- (58) **Field of Classification Search**
USPC D7/500, 587, 565, 560, 543; D30/130
CPC A47G 19/025; A47G 19/02
See application file for complete search history.

References Cited

U.S. PATENT DOCUMENTS

- 948,434 A * 2/1910 Scott A47G 19/02
220/575
- D54,110 S * 11/1919 McHale et al. D7/586
- D55,222 S * 5/1920 Wentz D7/500
- 1,567,234 A * 12/1925 Brucker A21B 3/13
249/136
- D119,166 S * 2/1940 Guild D7/565
- 2,492,892 A * 12/1949 Schlumbohm A47J 27/002
126/377.1
- 2,545,733 A * 3/1951 Hatfield A47G 19/027
220/574.2
- D175,753 S 10/1955 Barnhart



US D933,428 S

| | | | | | | |
|--------------|---------|-----------------------|--|-----------------|---------|----------------------------|
| D553,913 S | 10/2007 | Jackson | | D891,924 S | 8/2020 | Mitchell |
| D563,607 S | 3/2008 | Northrop | | 10,729,261 B2 * | 8/2020 | Ellison A47G 19/2261 |
| D564,710 S | 3/2008 | Modi et al. | | D915,828 S * | 4/2021 | Schiermeier D7/554.2 |
| D564,711 S | 3/2008 | Modi et al. | | D916,543 S * | 4/2021 | Cheng D7/354 |
| D565,253 S | 3/2008 | Modi et al. | | D916,544 S * | 4/2021 | Cheng D7/354 |
| 7,380,412 B2 | 6/2008 | Roth et al. | | D918,643 S * | 5/2021 | Cheng D7/354 |
| 7,387,082 B1 | 6/2008 | Fried | | D921,414 S * | 6/2021 | Cheng D7/354 |
| 7,392,761 B2 | 7/2008 | Kujawa et al. | | 2002/0112614 A1 | 8/2002 | Zoss |
| D575,992 S | 9/2008 | LeGreve et al. | | 2006/0144340 A1 | 7/2006 | Burge et al. |
| D584,110 S | 1/2009 | Hauser | | 2007/0034161 A1 | 2/2007 | Thompson |
| 7,478,588 B2 | 1/2009 | Miller et al. | | 2008/0022937 A1 | 1/2008 | Shirley et al. |
| D598,238 S | 8/2009 | Durdon et al. | | 2008/0302307 A1 | 12/2008 | Bertsch et al. |
| D599,609 S | 9/2009 | Ruffoni | | 2008/0308044 A1 | 12/2008 | Tiemann |
| D601,309 S | 9/2009 | Babal | | 2009/0026205 A1 | 1/2009 | Moon |
| D602,651 S | 10/2009 | Modi et al. | | 2010/0018970 A1 | 1/2010 | Jain |
| 7,600,486 B2 | 10/2009 | Ellis | | 2010/0263328 A1 | 10/2010 | Dorsey et al. |
| D607,329 S | 1/2010 | Diss | | 2011/0162583 A1 | 7/2011 | Rostamo et al. |
| D608,499 S | 1/2010 | Hodgson et al. | | 2011/0180543 A1 | 7/2011 | Rusnak et al. |
| D628,443 S | 12/2010 | McTaggart | | 2013/0276712 A1 | 10/2013 | Jain |
| D630,897 S | 1/2011 | Jarvis et al. | | 2014/0326189 A1 | 11/2014 | Jain |
| D636,946 S | 4/2011 | Able | | 2016/0262345 A1 | 9/2016 | Gitter et al. |
| 7,922,027 B2 | 4/2011 | Boyden et al. | | 2016/0376065 A1 | 12/2016 | Zimmerman |
| D637,448 S | 5/2011 | Cheng | | 2017/0367536 A1 | 12/2017 | Wall |
| D641,585 S | 7/2011 | Cheng | | 2018/0134465 A1 | 5/2018 | Kuo |
| D677,124 S | 3/2013 | Montgomery | | 2018/0222660 A1 | 8/2018 | Krus |
| D680,813 S | 4/2013 | De Leo | | 2018/0289186 A1 | 10/2018 | Heiberger |
| D684,017 S | 6/2013 | Wong | | 2018/0295806 A1 | 10/2018 | DeVona |
| D687,678 S | 8/2013 | Del Solar et al. | | 2019/0014873 A1 | 1/2019 | Shepherd |
| D689,334 S | 9/2013 | Krueger et al. | | 2019/0059321 A1 | 2/2019 | Casale |
| D690,166 S | 9/2013 | Montgomery | | 2019/0315538 A1 | 10/2019 | Cheng |
| D693,182 S | 11/2013 | Katterheinrich et al. | | 2020/0085721 A1 | 3/2020 | Nishida et al. |
| D699,078 S | 2/2014 | Katterheinrich et al. | | | | |
| 8,646,413 B2 | 2/2014 | Padia | | | | |
| D701,088 S | 3/2014 | Hone | | | | |
| D709,317 S | 7/2014 | Cheng | | | | |
| 8,919,590 B2 | 12/2014 | Gillette et al. | | | | |
| D722,252 S | 2/2015 | Lee et al. | | | | |
| D729,989 S | 5/2015 | Krueger | | | | |
| D738,159 S | 9/2015 | Cheng | | | | |
| D743,636 S | 11/2015 | Krueger | | | | |
| D749,371 S | 2/2016 | Kolano | | | | |
| D752,378 S | 3/2016 | Wang | | | | |
| D760,951 S * | 7/2016 | Bennett D27/136 | | | | |
| D761,061 S | 7/2016 | McConnell et al. | | | | |
| 9,402,371 B2 | 8/2016 | Rabideau | | | | |
| D787,274 S | 5/2017 | Gagnon et al. | | | | |
| D789,152 S | 6/2017 | Wall | | | | |
| D792,166 S | 7/2017 | Kirsh et al. | | | | |
| D793,170 S | 8/2017 | Karussi et al. | | | | |
| D794,393 S | 8/2017 | Karussi et al. | | | | |
| D794,394 S | 8/2017 | Karussi | | | | |
| 9,832,971 B1 | 12/2017 | Hollander et al. | | | | |
| D807,121 S | 1/2018 | Mittal et al. | | | | |
| 9,883,759 B2 | 2/2018 | Kelaher et al. | | | | |
| D813,607 S | 3/2018 | Nally et al. | | | | |
| D816,285 S | 4/2018 | Seiders et al. | | | | |
| D821,039 S | 6/2018 | Owens, III | | | | |
| D823,643 S | 7/2018 | Paul | | | | |
| D824,720 S | 8/2018 | Gagnon et al. | | | | |
| D825,865 S | 8/2018 | Abbey et al. | | | | |
| D827,382 S | 9/2018 | Uzunlar | | | | |
| D828,726 S | 9/2018 | Epley | | | | |
| D830,007 S | 10/2018 | Harris | | | | |
| D832,529 S | 10/2018 | Elliott | | | | |
| D842,047 S | 3/2019 | Jordan | | | | |
| D845,715 S | 4/2019 | Brownell | | | | |
| D862,988 S | 10/2019 | Wiggins et al. | | | | |
| D866,266 S | 11/2019 | Arseneau et al. | | | | |
| D867,163 S | 11/2019 | Portal-Andreu | | | | |
| D867,822 S | 11/2019 | Passot | | | | |
| D869,240 S | 12/2019 | Modi | | | | |
| D869,241 S | 12/2019 | Ellison et al. | | | | |
| D876,876 S | 3/2020 | Wang | | | | |
| D881,653 S | 4/2020 | Serrahima et al. | | | | |
| D884,289 S | 5/2020 | Wu | | | | |
| D884,426 S * | 5/2020 | Rupp D7/523 | | | | |
| D885,140 S * | 5/2020 | Jordan D7/605 | | | | |
| D889,900 S | 7/2020 | Cheng | | | | |
| D889,901 S | 7/2020 | Cheng et al. | | | | |

FOREIGN PATENT DOCUMENTS

| | | |
|----|-------------|---------|
| CA | 81297 A | 6/1903 |
| CA | 87811 S | 10/1999 |
| CA | 142678 S | 5/2013 |
| CN | 1792735 A | 6/2006 |
| CN | 301376984 | 11/2010 |
| CN | 301447169 | 1/2011 |
| CN | 201995435 U | 10/2011 |
| CN | 302323891 | 2/2013 |
| CN | 302859335 | 6/2014 |
| CN | 303304588 | 7/2015 |
| CN | 303488464 | 12/2015 |
| CN | 303694772 | 6/2016 |
| CN | 303927758 | 11/2016 |
| CN | 303953741 | 11/2016 |
| CN | 303990818 | 12/2016 |
| CN | 304164337 | 6/2017 |
| CN | 304164337 S | 6/2017 |
| CN | 304238791 | 8/2017 |
| CN | 304238791 S | 8/2017 |
| CN | 304255933 | 8/2017 |
| CN | 304278237 S | 9/2017 |
| CN | 304278238 S | 9/2017 |
| CN | 304290801 S | 9/2017 |
| CN | 304337562 S | 10/2017 |
| CN | 304373499 | 11/2017 |
| CN | 304373499 S | 11/2017 |
| CN | 304448019 | 1/2018 |
| CN | 304478215 S | 1/2018 |
| CN | 304480651 | 1/2018 |
| CN | 304480651 S | 1/2018 |
| CN | 304484602 S | 1/2018 |
| CN | 304490101 | 2/2018 |
| CN | 304491988 S | 2/2018 |
| CN | 304492055 S | 2/2018 |
| CN | 304502948 S | 2/2018 |
| CN | 304522649 S | 3/2018 |
| CN | 304531652 S | 3/2018 |
| CN | 304557251 S | 3/2018 |
| CN | 107985786 A | 5/2018 |
| CN | 304676166 S | 6/2018 |
| CN | 304700992 S | 6/2018 |
| CN | 304756094 S | 8/2018 |
| CN | 304813552 S | 9/2018 |
| CN | 304823168 S | 9/2018 |
| CN | 304845734 S | 10/2018 |

| | | | |
|----|-----------------|----|---------|
| CN | 304855772 | S | 10/2018 |
| CN | 304955770 | S | 12/2018 |
| CN | 304961123 | S | 12/2018 |
| CN | 304965966 | S | 12/2018 |
| CN | 303953741 | S | 1/2019 |
| CN | 304972012 | S | 1/2019 |
| CN | 208610686 | U | 3/2019 |
| CN | 305101859 | | 4/2019 |
| CN | 110371482 | A | 10/2019 |
| CN | 305549362 | | 1/2020 |
| DE | 20313085 | U1 | 11/2003 |
| EM | 005636578-0001 | A1 | 6/2018 |
| EM | 005246188-0003 | A1 | 9/2018 |
| EP | 001606385-0030 | | 11/1919 |
| EP | 000146816-0002 | | 6/2004 |
| EP | 000236880-0001 | | 12/2004 |
| EP | 000467519-0002 | | 2/2006 |
| EP | 000555289-0001 | | 8/2006 |
| EP | 001606385-0031 | | 11/2009 |
| EP | 2147593 | A2 | 1/2010 |
| EP | 002547281-0001 | | 10/2014 |
| EP | 2720960 | B1 | 9/2015 |
| EP | 003860097-0001 | | 5/2017 |
| EP | 3046411 | B1 | 4/2019 |
| GB | 2094194 | | 8/2000 |
| IN | 265797-0001 | | 5/2015 |
| IN | 201711037261 | | 6/2019 |
| IN | 314224-004-0001 | | 1/2020 |
| JP | 5132299 | B2 | 1/2013 |
| JP | D1622556 | | 1/2019 |
| KR | 19980028254 | U | 8/1998 |
| KR | 200351500 | Y1 | 5/2004 |
| KR | 20060116628 | A | 11/2006 |
| KR | 101180553 | B1 | 9/2012 |
| KR | 300826611.0000 | | 11/2015 |
| WO | D060038-001 | | 6/2002 |
| WO | 06070965 | A1 | 7/2006 |
| WO | 12053734 | A1 | 4/2012 |
| WO | 2017160848 | A1 | 9/2017 |
| WO | 18211518 | A1 | 11/2018 |
| WO | 2019120407 | A1 | 6/2019 |

OTHER PUBLICATIONS

United States District Court Western District of Texas, Austin Division, “First Amended Complaint, ‘Complaint for Damages and Injunctive Relief tor: (1)-(15) Patent Infringement in Violation of 35 U.S.C. § 271; and (16) Breach of Contract’”, *YETI Coolers, LLC v. RTIC Outdoors, LLC; and Corporate Support & Fulfillment, LLC*, Case 1:21-cv-00214-RP, Document 10, filed Jun. 2, 2021, 39 pages.

United States District Court Western District of Texas, Austin Division, “Answer of Defendants RTIC Outdoors, LLC and Corporate Support & Fulfillment, LLC to YETI’s Amended Complaint: (1)-(15) Patent Infringement in Violation of 35 U.S.C. § 271; and (16) Breach of Contract”, *YETI Coolers, LLC v. RTIC Outdoors, LLC; and Corporate Support & Fulfillment, LLC*, Case 1:21-cv-00214-RP, Document 16, filed Jun. 17, 2021, 79 pages (See pp. 45, 46, 66-77 alleging invalidity).

United States District Court Western District of Texas, Austin Division, “Complaint for Damages and Injunctive Relief tor: (1)-(12) Patent Infringement in Violation of 35 U.S.C. § 271; and (13) Breach of Contract”, *YETI Coolers, LLC v. RTIC Outdoors, LLC; and Corporate Support & Fulfillment, LLC*, Case 1:21-cv-00214, filed Mar. 5, 2021, 338 pages.

304 Stainless Steel Children Rice Bowl <https://www.dhgate.com/product/304-stainless-steel-children-rice-bowl-small/406803863>.

Non Slip Pet Bowl <https://www.bmstores.co.uk/products/pets/pet-bowls-and-mats>.

Personalized Dog Bowls <http://www.a?rmingbeliefs.com/personalized-dog-dishes/new-designs-for-our-personalized-dog-bowls-anchor-monogram-chevron-www-personalized-dog-bowls-canada-personalized-dog-bowls-with-stand-personalized-dog-bowls-uk/>.

Personalized name plum pink damask black glitter bowl https://www.zazzle.com/personalized_name_plum_pink_damask_black_glitter_bowl-215235337491185678.

Basecamp Bowl <http://www.dealers.ruffwear.com/Basecamp-Bowl-Indoor-Dog-Bowl>.

Dec. 2, 2019—(PCT) Written Opinion and IPR—App PCT/US2019/053252.

Dec. 2, 2019—(PCT) Written Opinion and ISR App. PCT/US2019/053252.

Signature Housewares Bones Dog Bowl, Gray <https://www.chewy.com/signature-housewares-bones-dog-bowl/dp/130950>.

Bogo Brands Collapsible Dog Bowl with Lid 2 Pk—Portable Travel Food and Water Pet Bowl by (3 Colors) https://www.amazon.com/dp/B06XZQ9WJ9/ref=twister_B06Y1BQVG1?encoding=UTF8&psc=1.

Martha Stewart Melamine Stainless Steel Pet Bowl Set with Lid <https://heavy.com/pets/2016/02/best-dog-bowls/>.

Collapsible Dog Bowl with Lid 2 Pk—Portable Travel Food and Water Pet Bowl by bogo Brands (3 Colors) <https://www.tipoftexk9rescue.org/shop/collapsible-dog-bowl-with-lid-2-pk-portable-travel-food-and-water-pet-bowl-by-bogo-brands-3-colors/>.

Best dog bowl for car travel: Eco Friendly dish fits in car cup holder! Listed for charity <https://www.ebay.com/itm/Best-dog-bowl-for-car-travel-Eco-Friendly-dish-fits-in-car-cup-holder-/362731239398>.

The best portable dog food bowl <https://www.businessinsider.com/best-dog-bowl>.

Nov. 9, 2020—(CA) Examination Report—App. No. 185880.

* cited by examiner

Primary Examiner — Cynthia R Underwood
(74) Attorney, Agent, or Firm — Banner & Witcoff, Ltd.

(57) CLAIM

The ornamental design for a bowl, as shown and described.

DESCRIPTION

The patent or application file contains at least one drawing executed in color. Copies of this patent or patent application publication with color drawing(s) will be provided by the Office upon request and payment of the necessary fee.

FIG. 1 is a top, front, right perspective view of a first embodiment of a bowl showing our new design;

FIG. 2 is a front view thereof, wherein the rear view is a mirror image of FIG. 2;

FIG. 3 is a right side view thereof, wherein the left side view is a mirror image of FIG. 3;

FIG. 4 is a top view thereof;

FIG. 5 is a bottom view thereof;

FIG. 6 is a top, front, right perspective view of a second embodiment of the bowl of FIGS. 1-5 showing our new design;

FIG. 7 is a front view thereof, wherein the rear view is a mirror image of FIG. 7;

FIG. 8 is a right side view thereof, wherein the left side view is a mirror image of FIG. 8;

FIG. 9 is a top view thereof;

FIG. 10 is a bottom view thereof;

FIG. 11 is a top, front, right perspective view of a third embodiment of the bowl of FIGS. 1-5 showing our new design;

FIG. 12 is a front view thereof, wherein the rear view is a mirror image of FIG. 12;

FIG. 13 is a right side view thereof, wherein the left side view is a mirror image of FIG. 13;

FIG. 14 is a top view thereof;

FIG. 15 is a bottom view thereof;

FIG. 16 is a top, front, right perspective view of a fourth embodiment of the bowl of FIGS. 1-5 showing our new design;

FIG. 17 is a front view thereof, wherein the rear view is a mirror image of FIG. 17;

FIG. 18 is a right side view thereof, wherein the left side view is a mirror image of FIG. 18;

FIG. 19 is a top view thereof; and,

FIG. 20 is a bottom view thereof.

The broken lines depicting the remainder of the bowl show features that form no part of the claimed design. The contrast in shading represents a contrast in appearance only and does not represent any particular color, materials, texture, or finish.

1 Claim, 20 Drawing Sheets
(6 of 20 Drawing Sheet(s) Filed in Color)

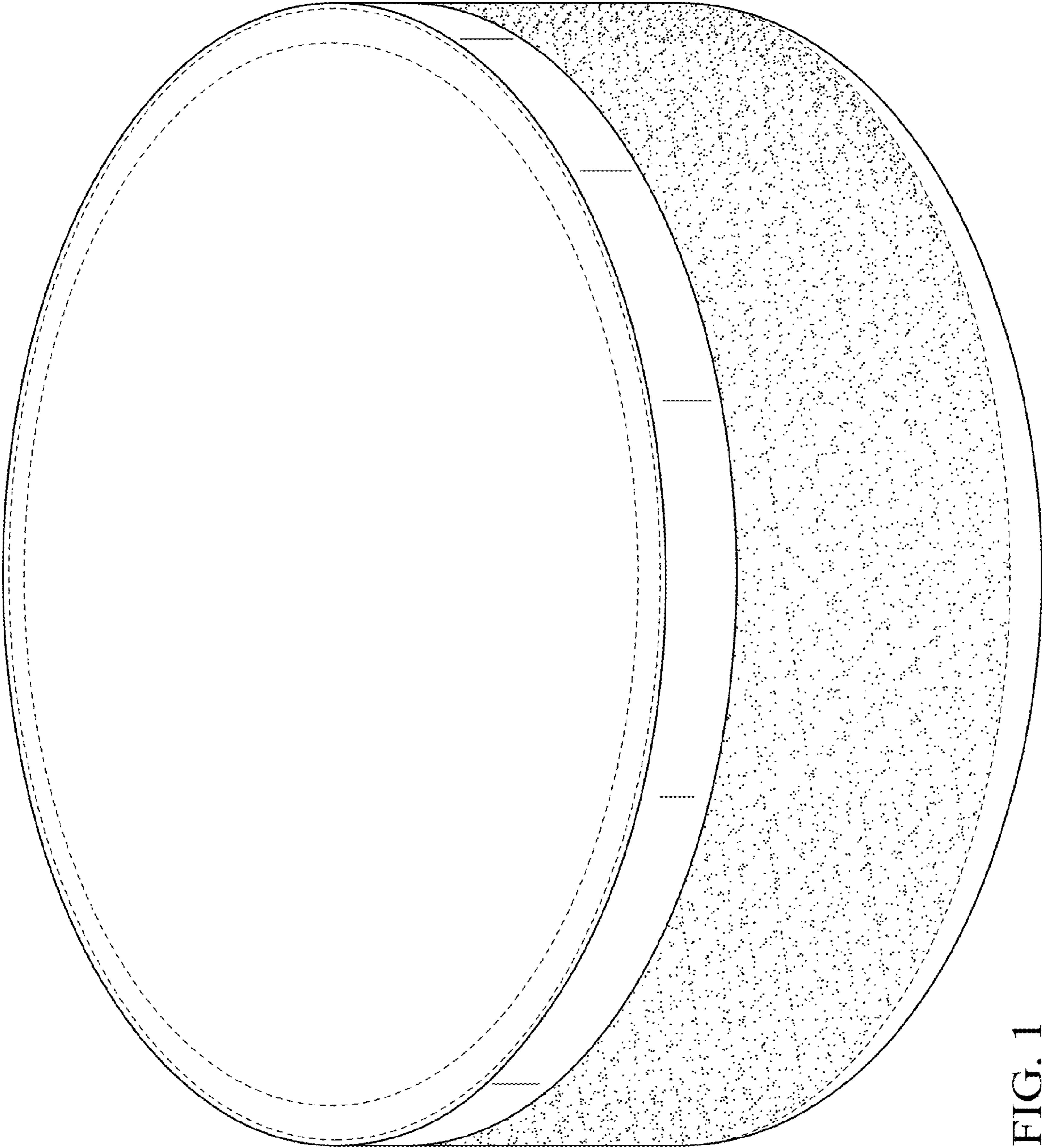


FIG. 1

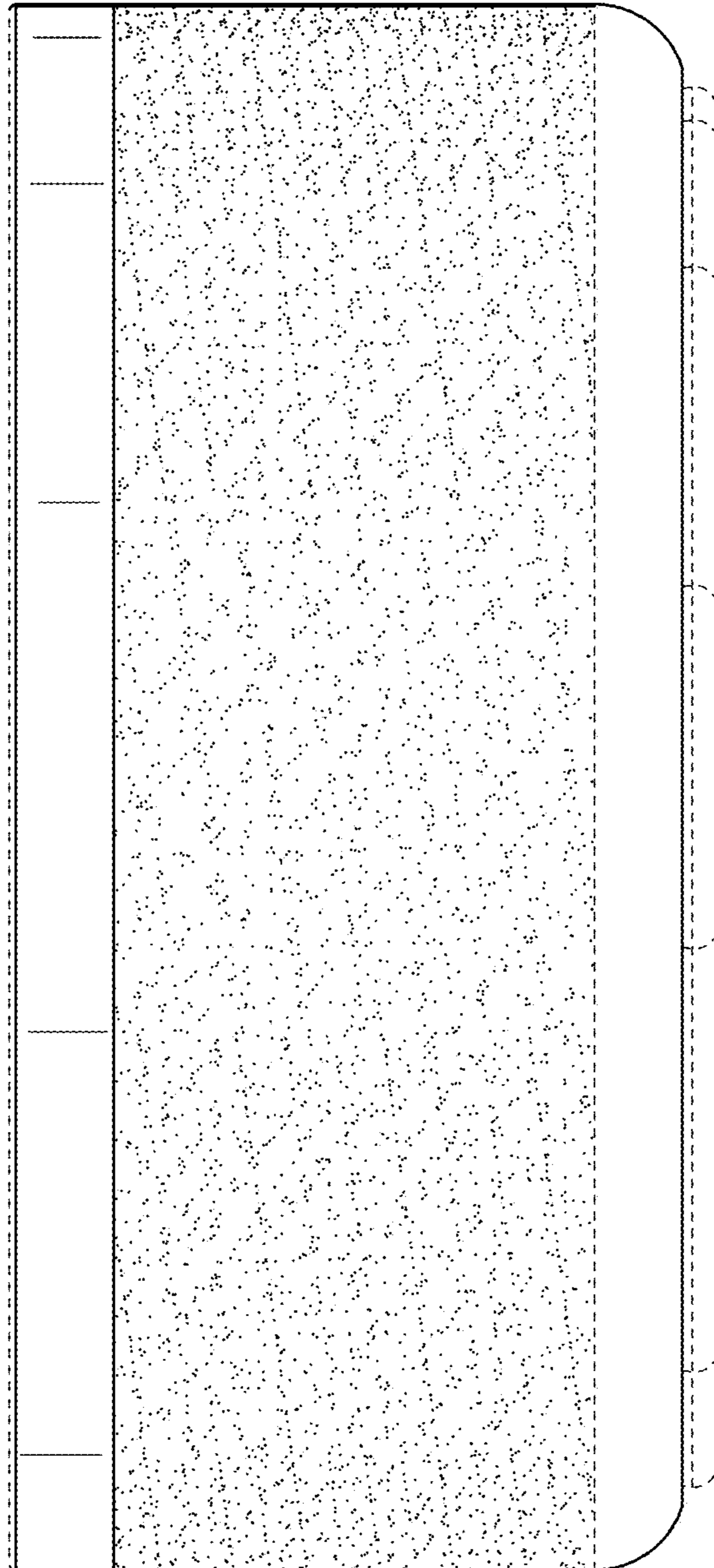


FIG. 2

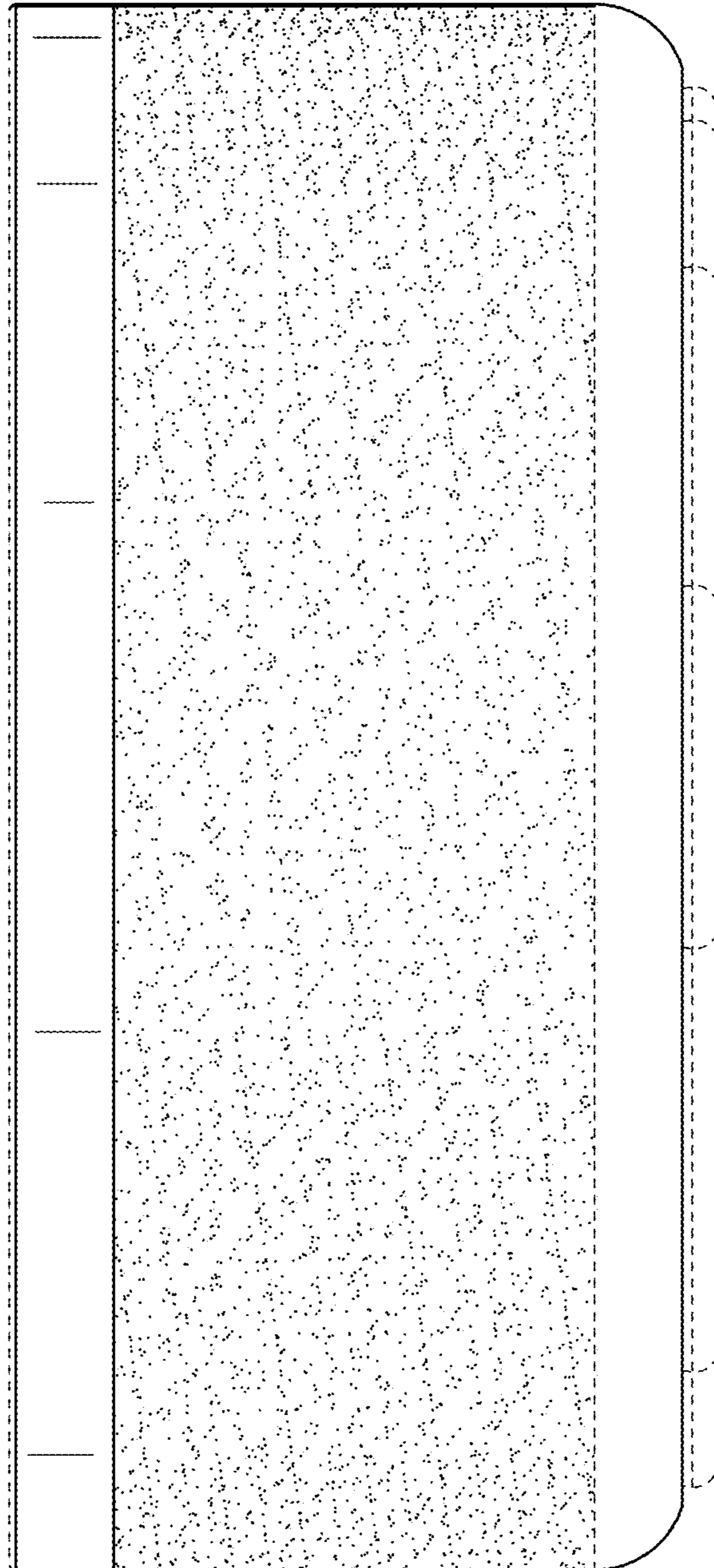


FIG. 3

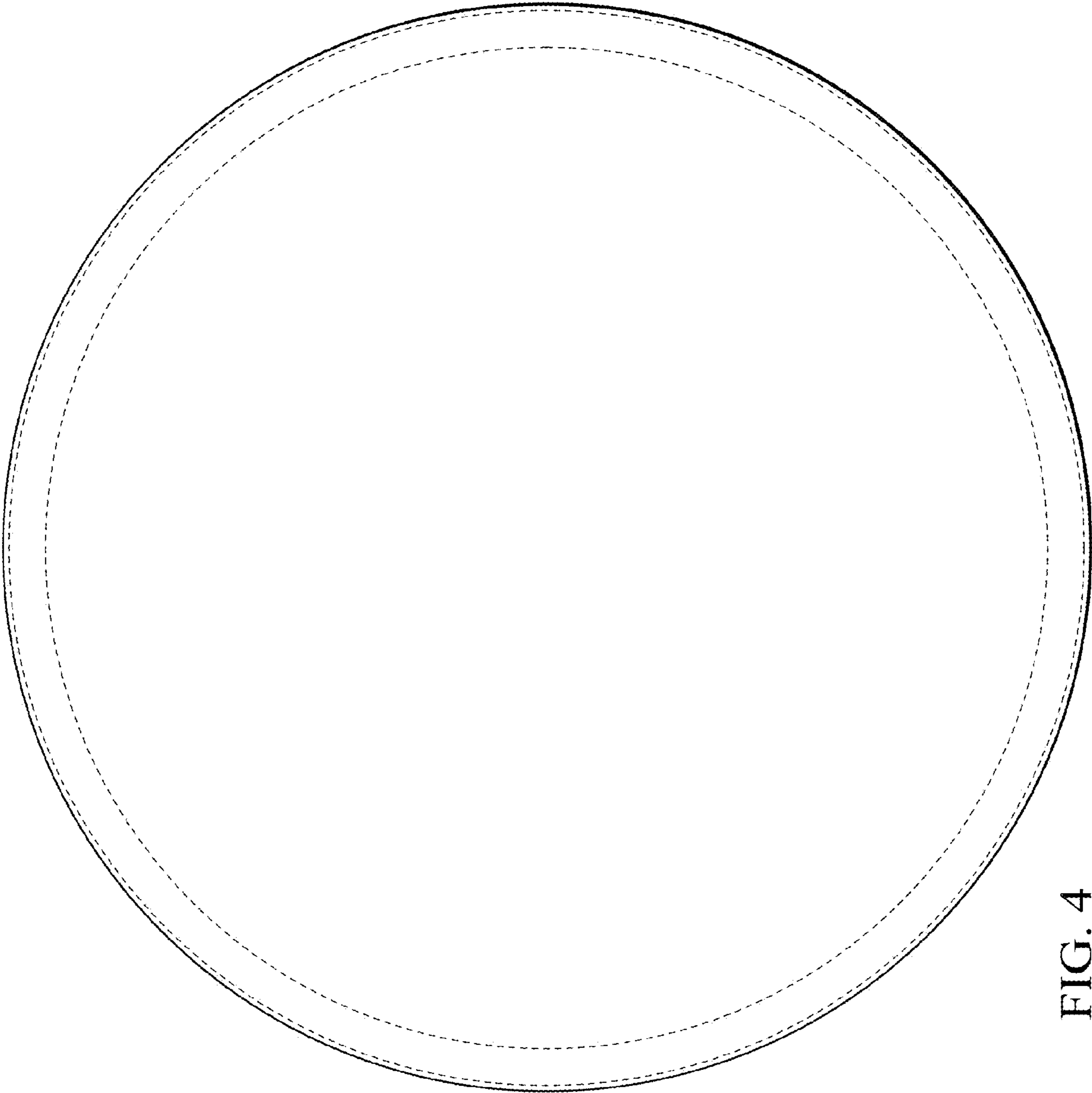


FIG. 4

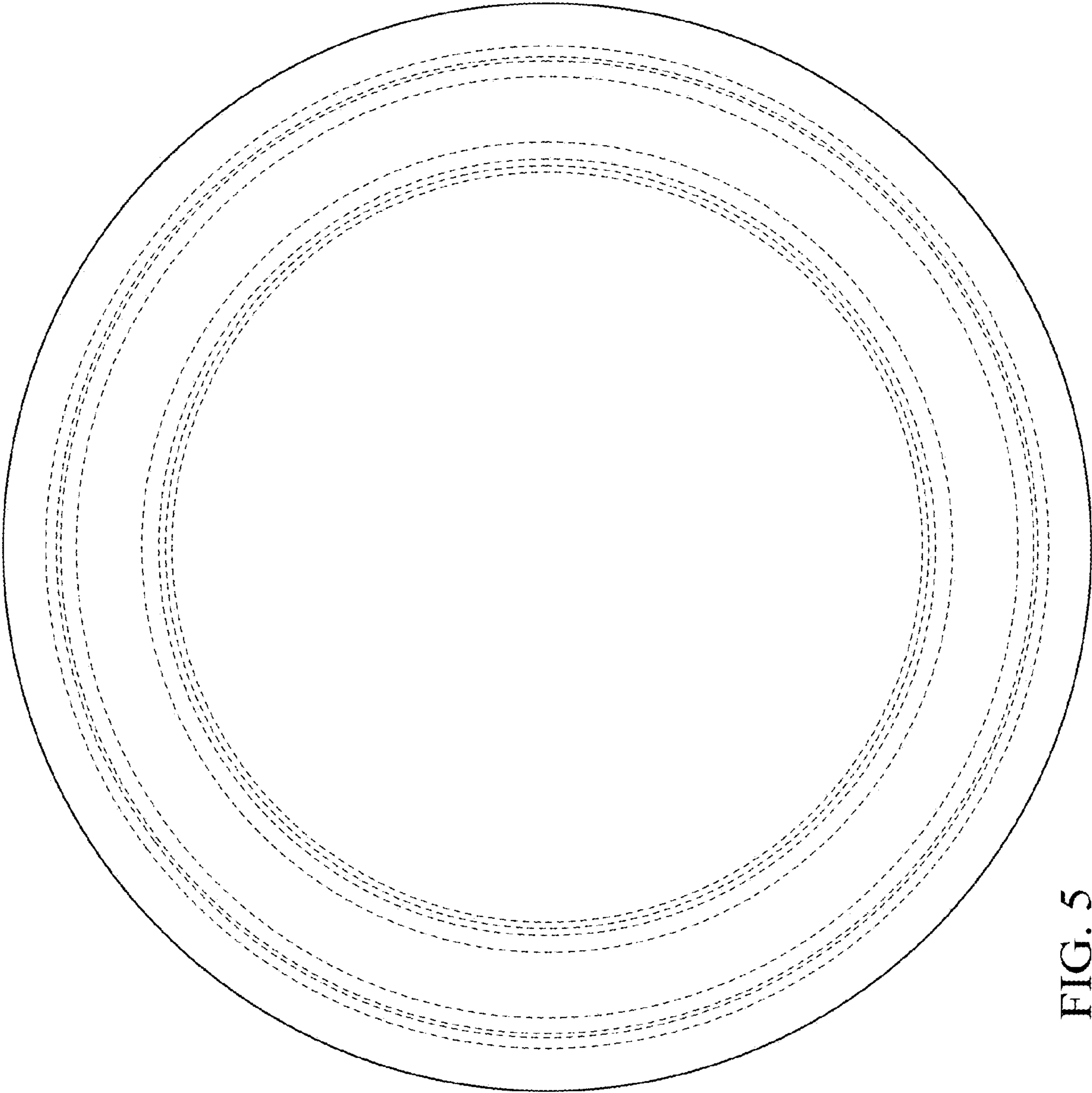


FIG. 5

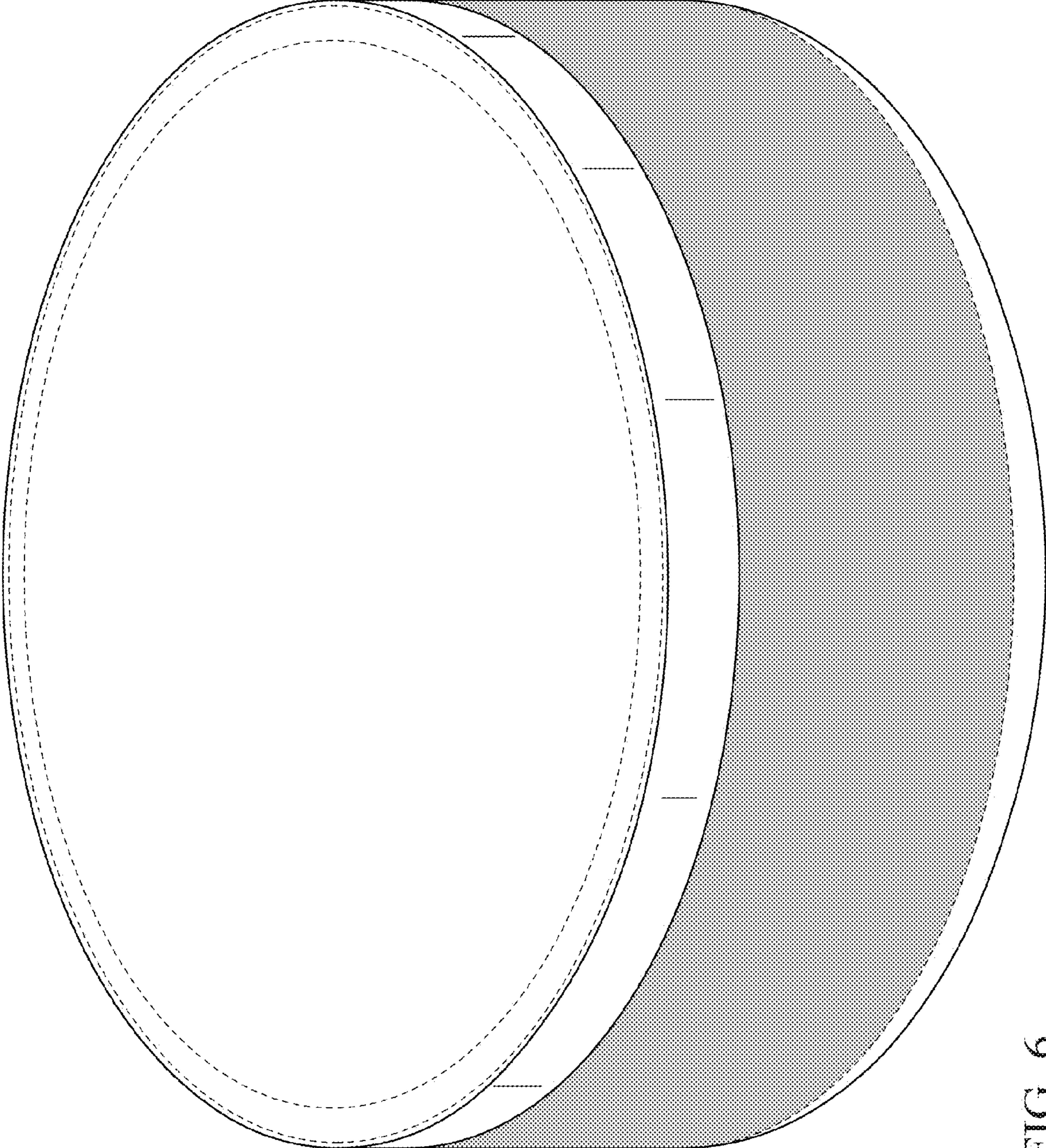


FIG. 6

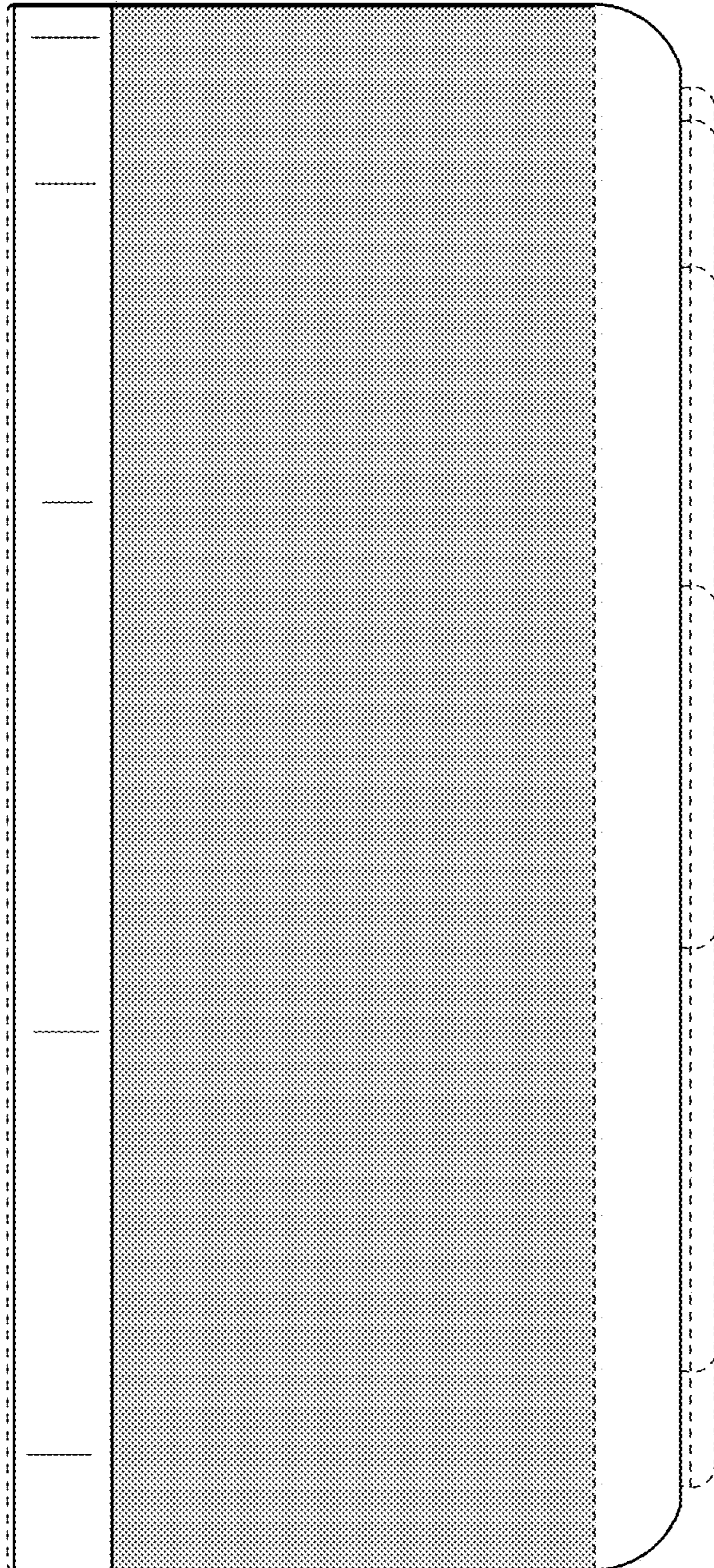


FIG. 7

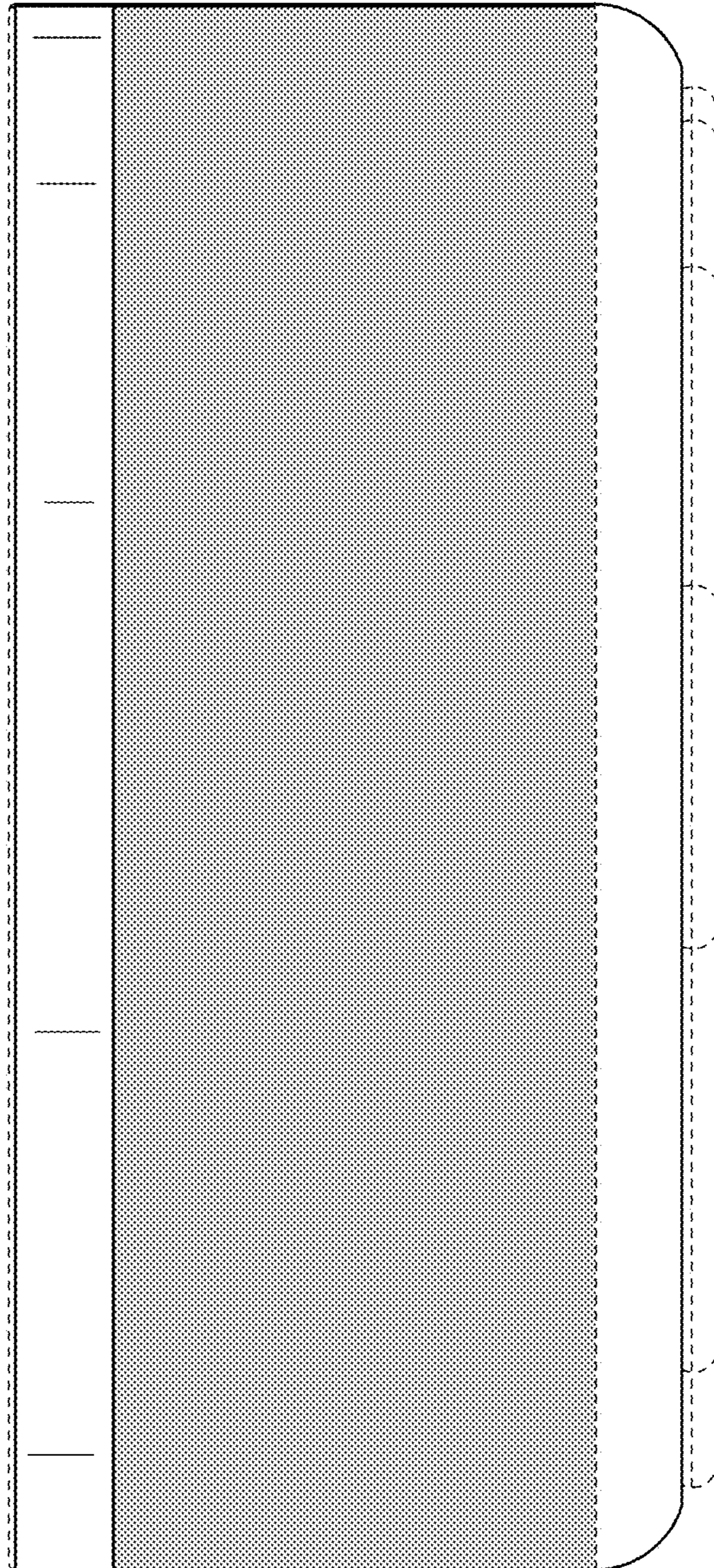


FIG. 8

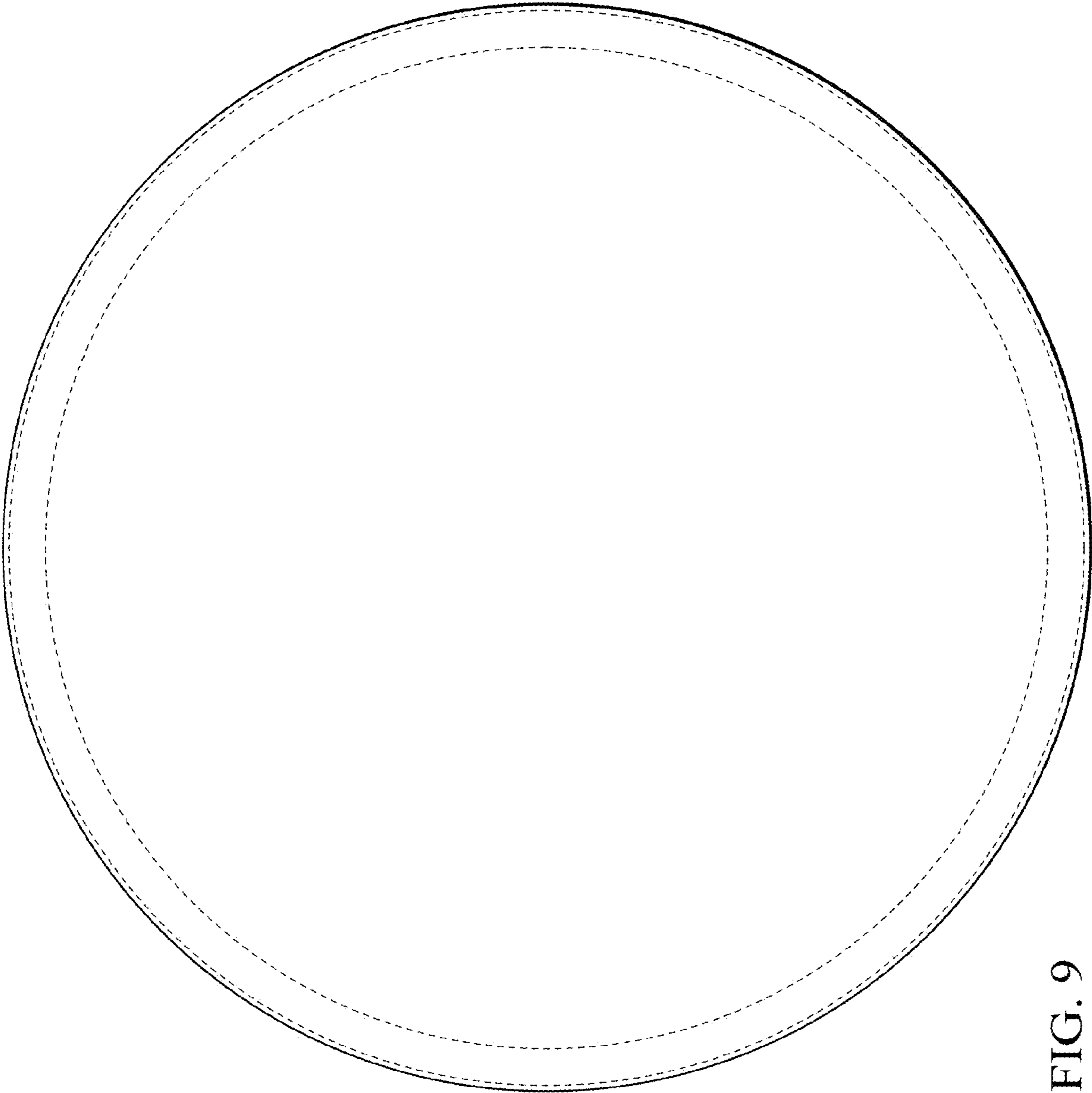


FIG. 9

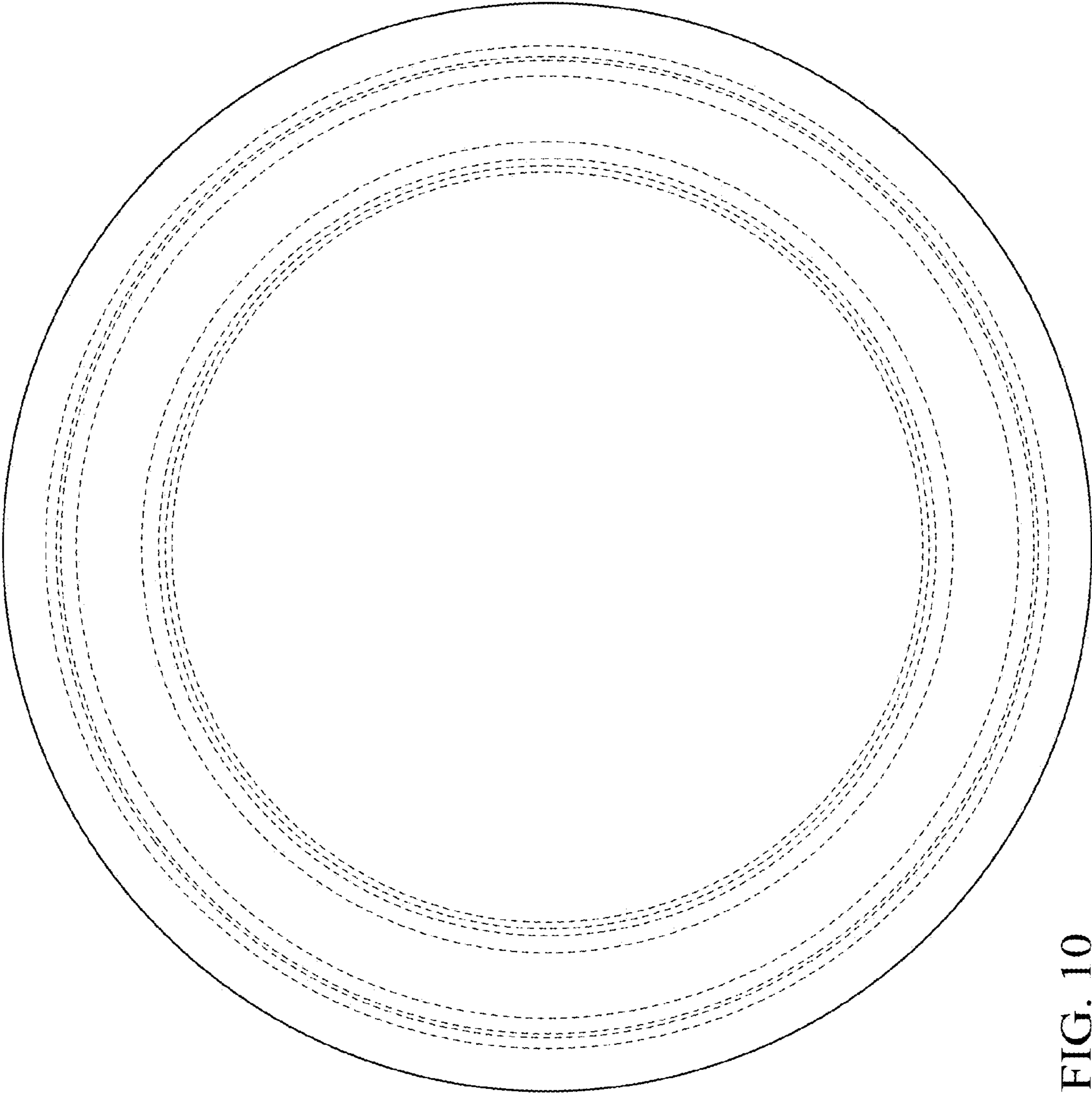


FIG. 10

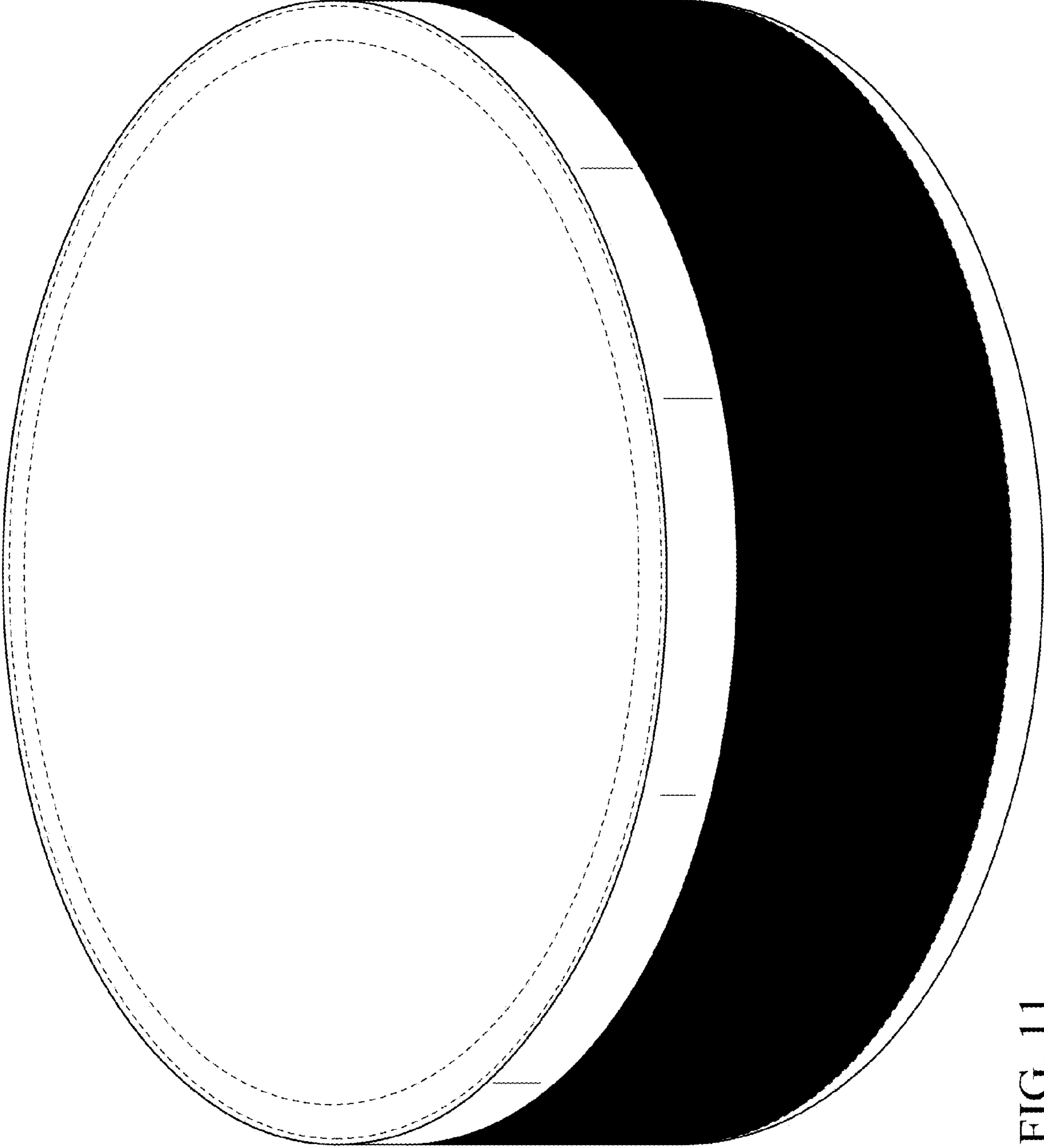


FIG. 11

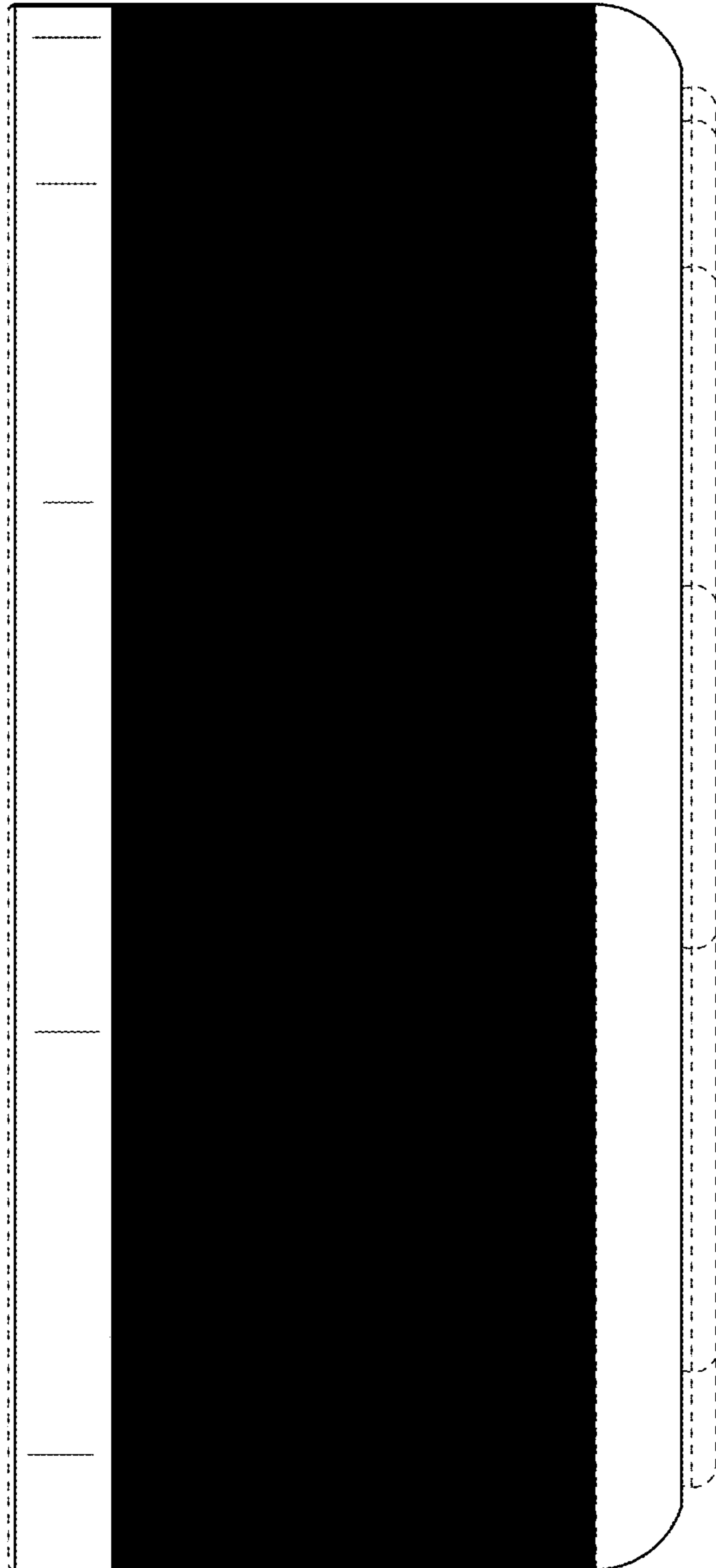


FIG. 12

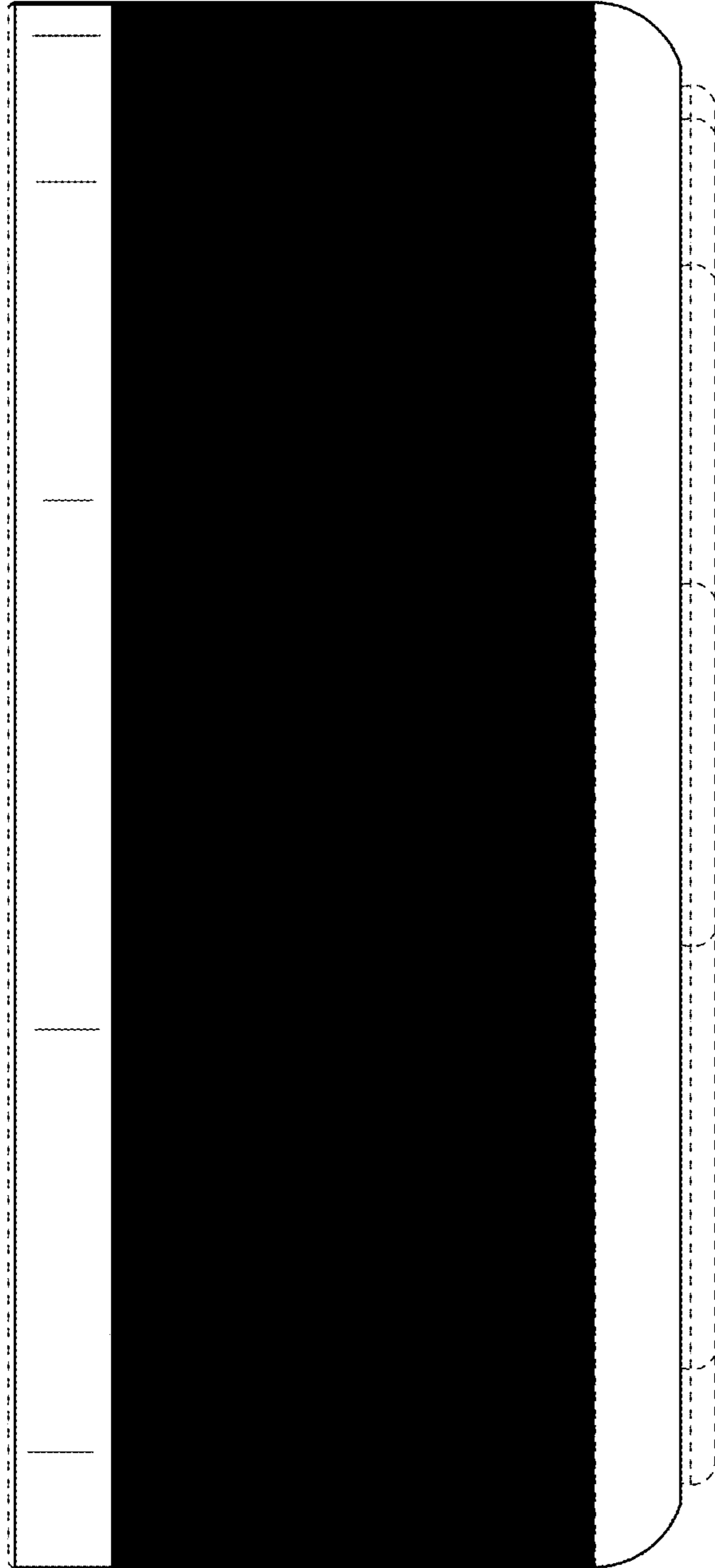


FIG. 13

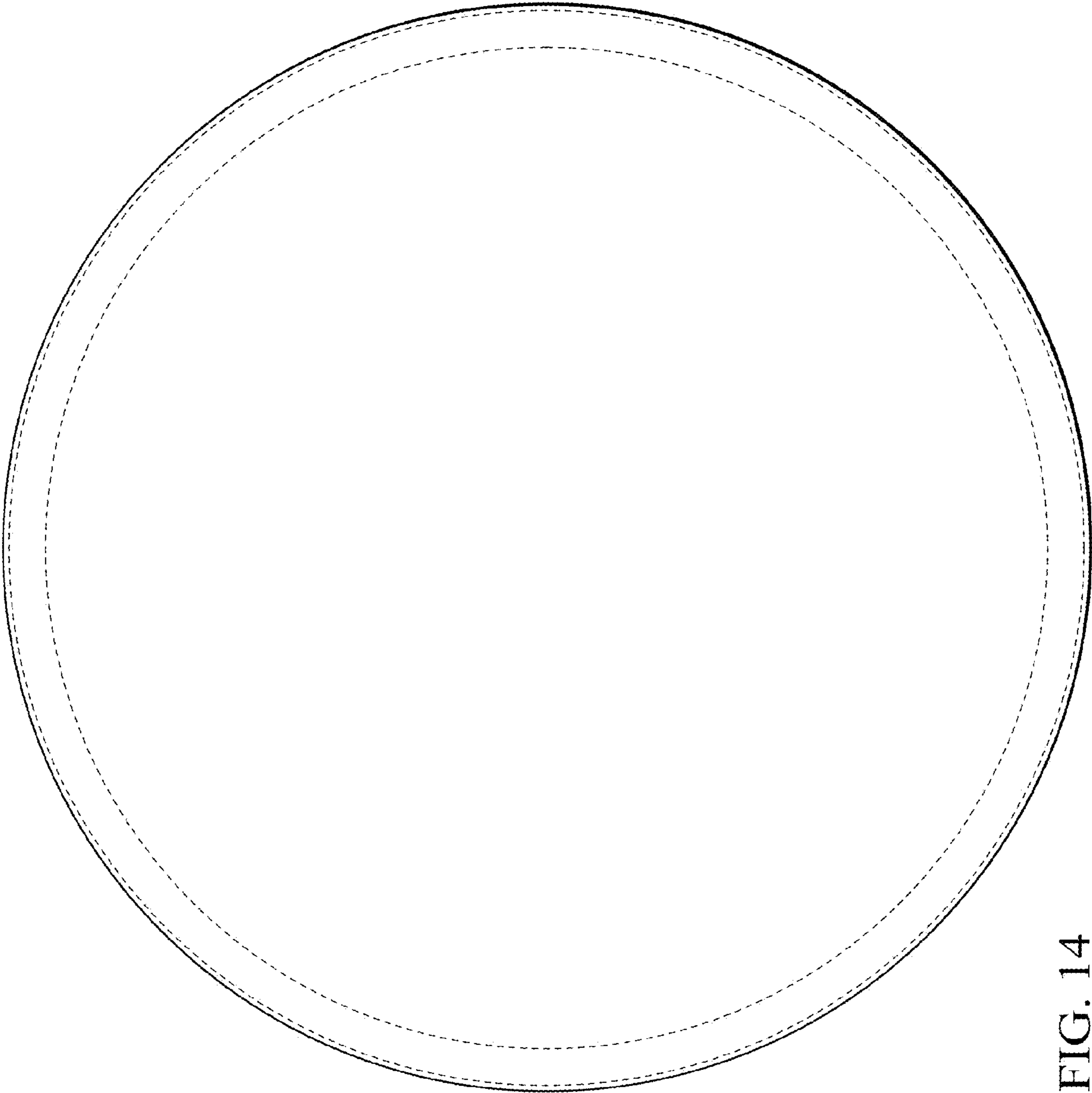


FIG. 14

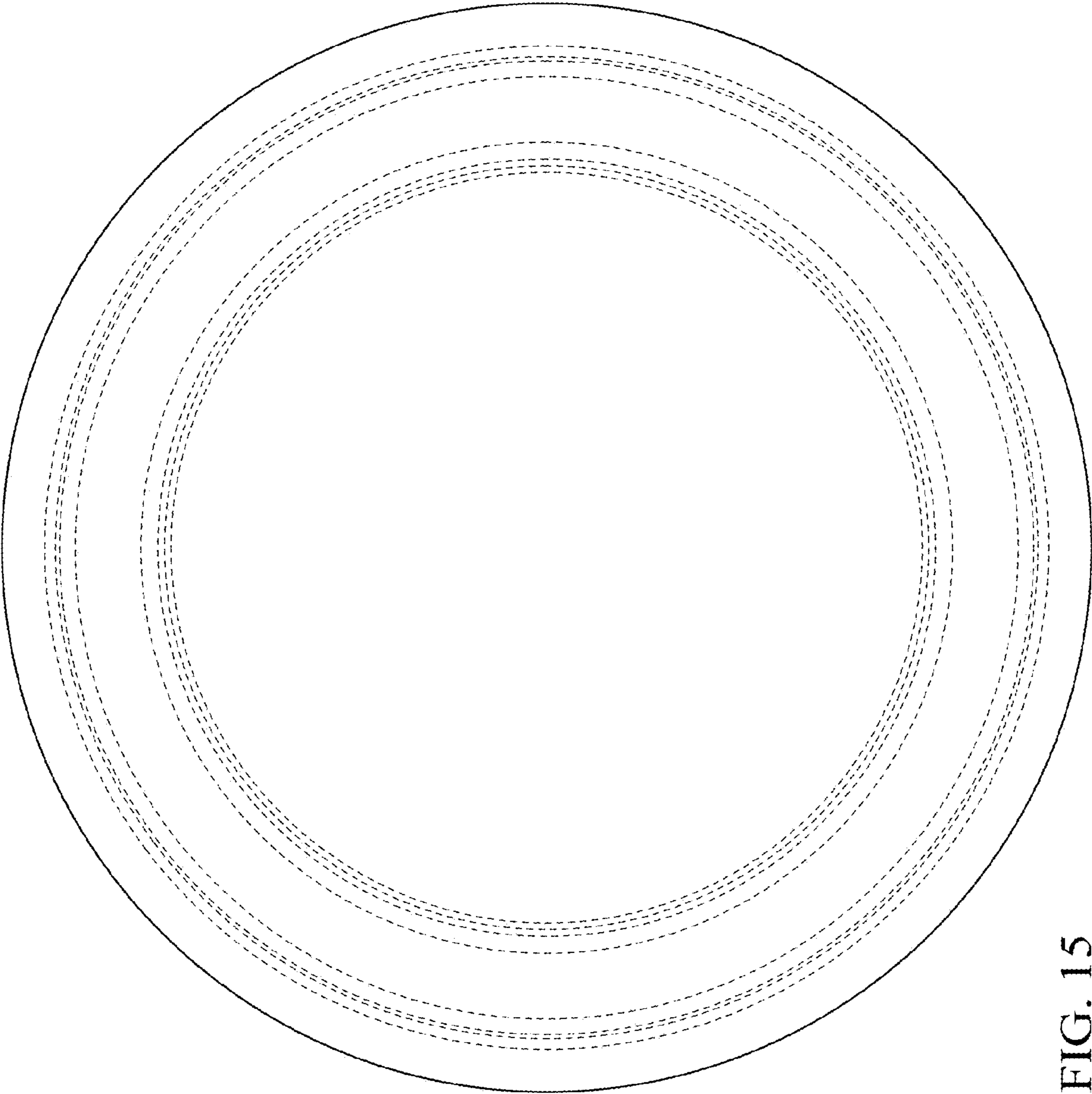


FIG. 15

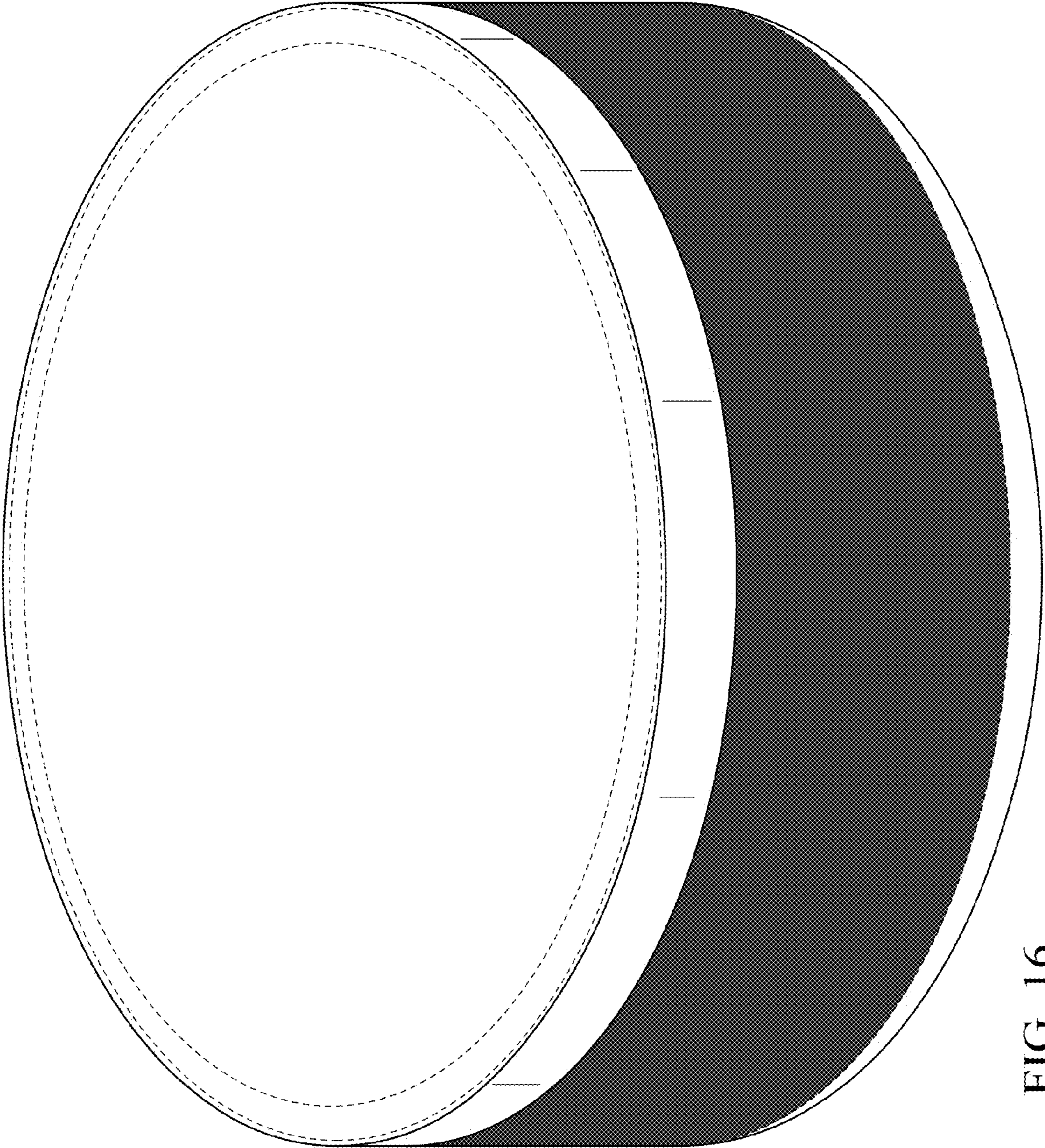


FIG. 16

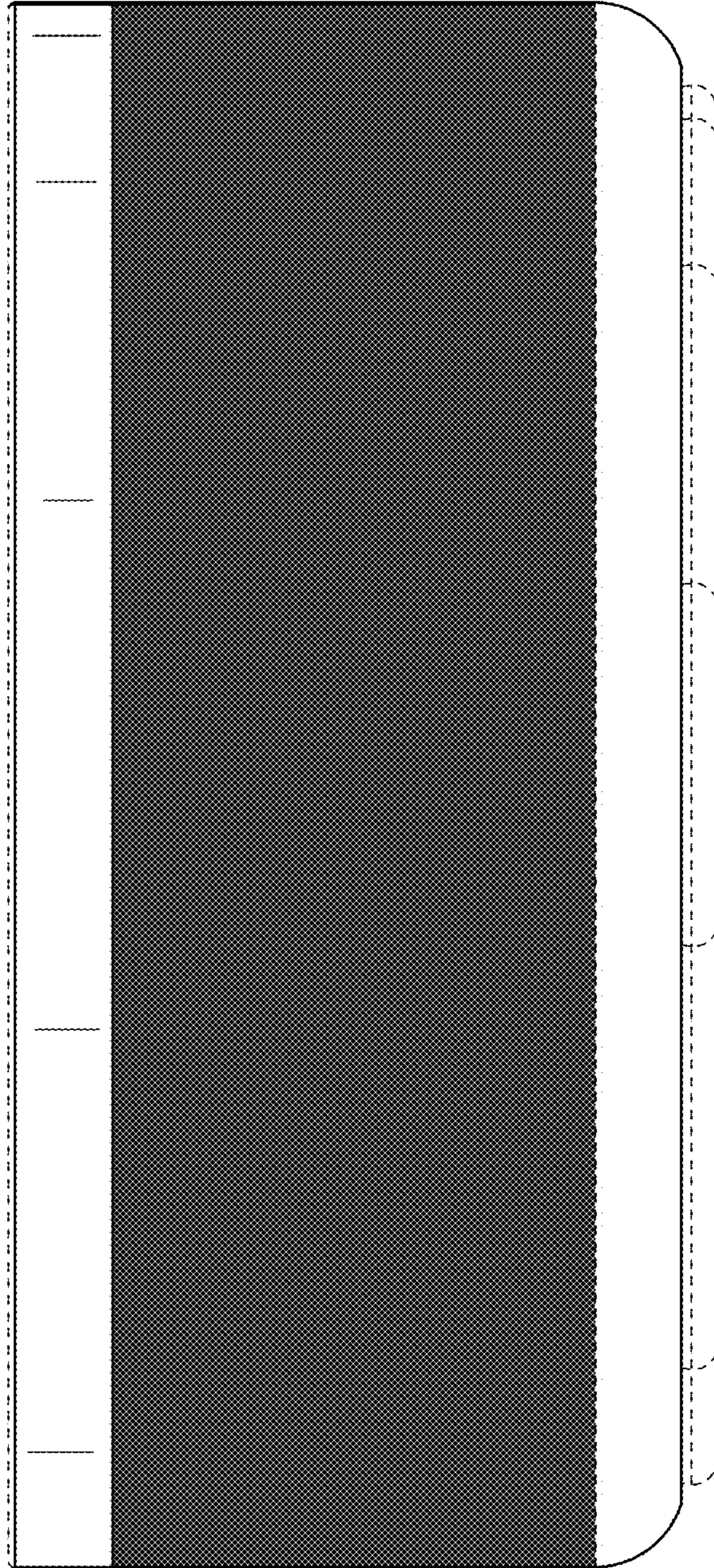


FIG. 17

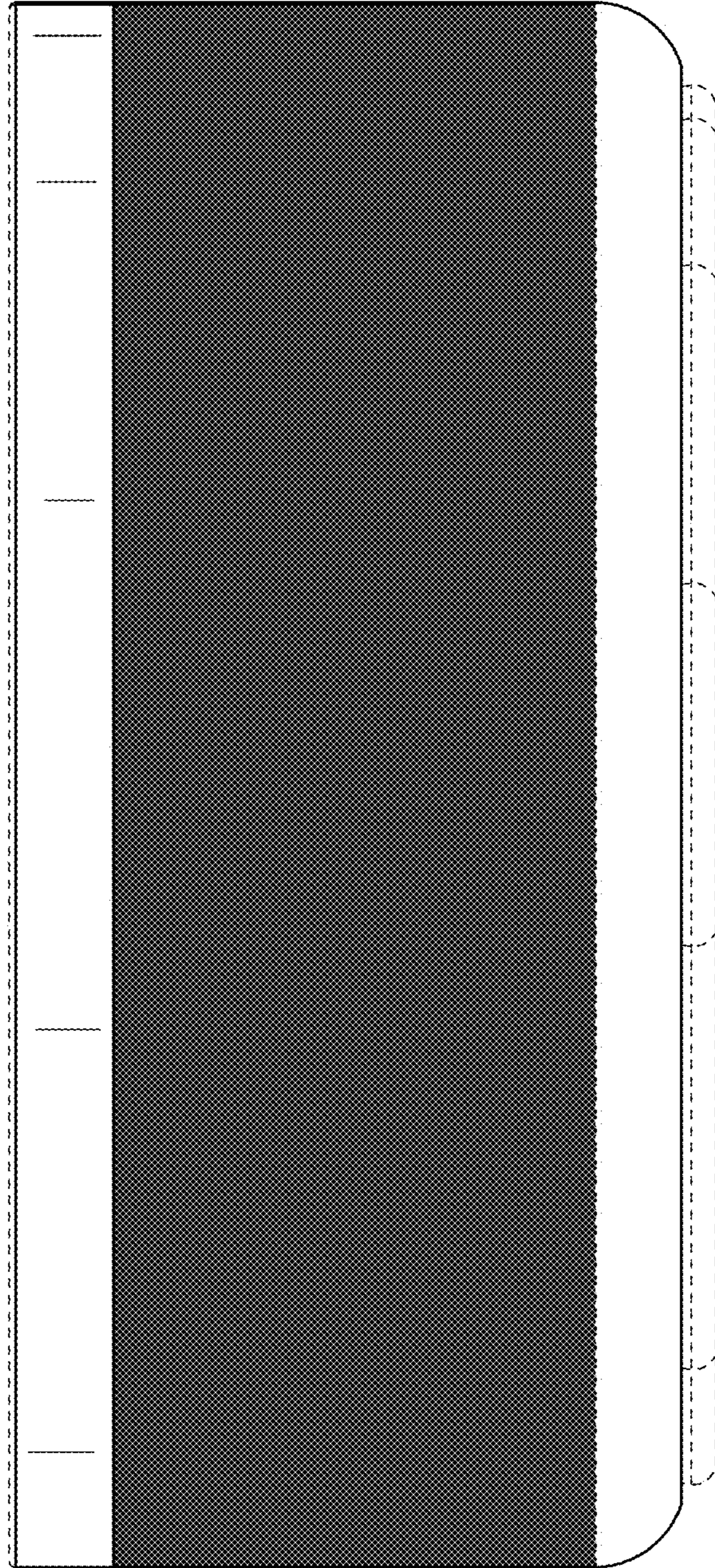


FIG. 18

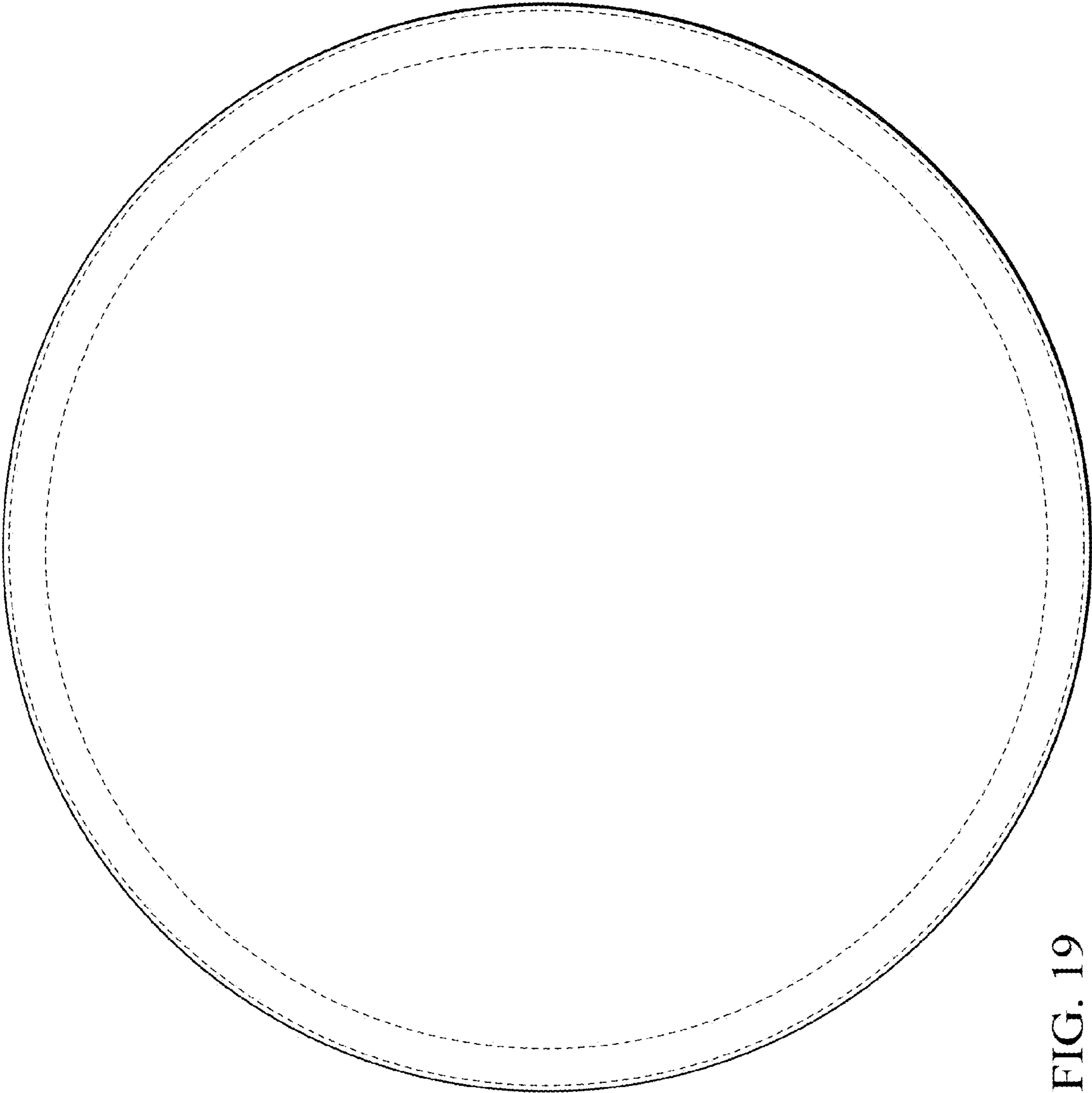


FIG. 19

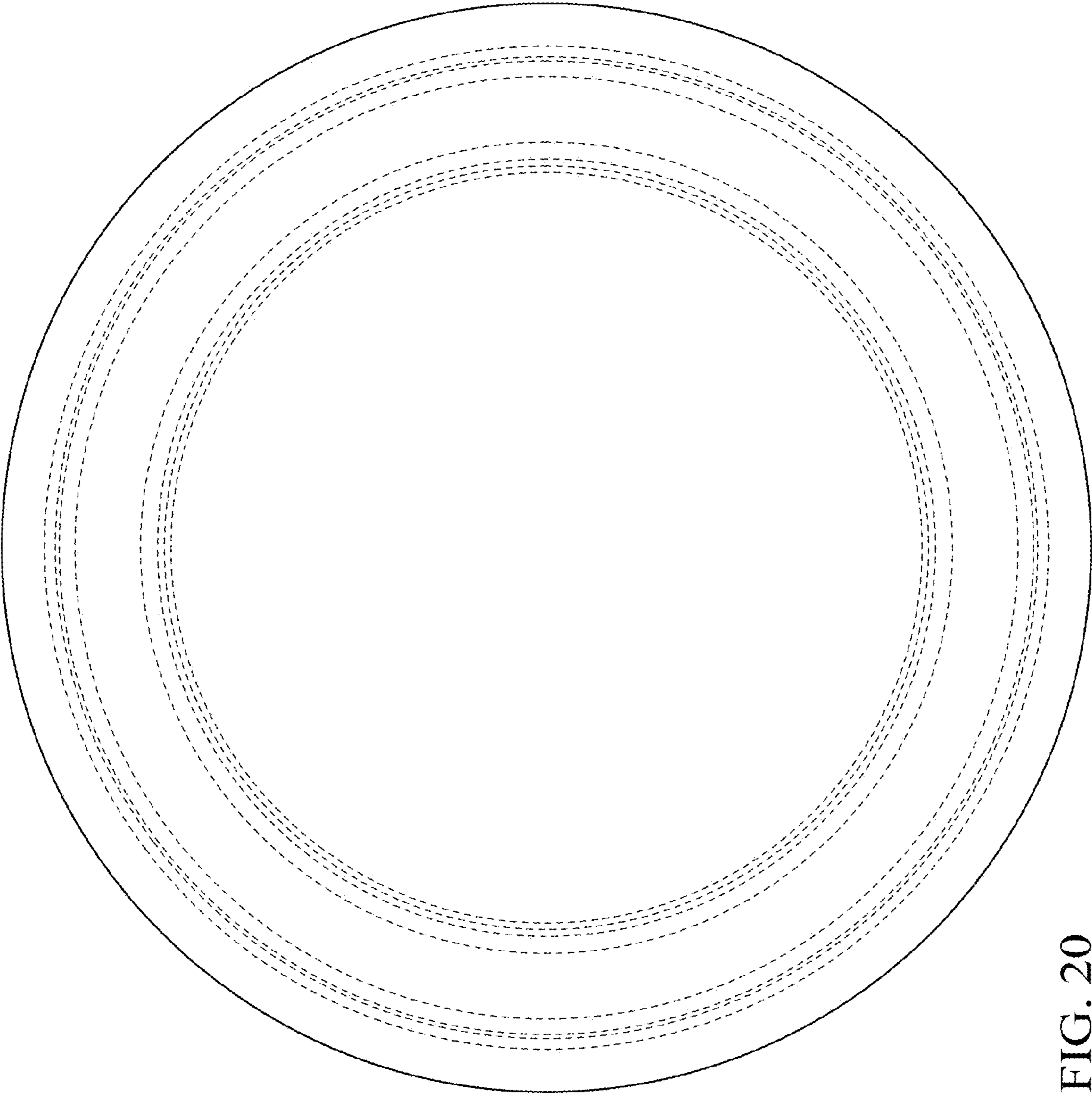


FIG. 20