



US00D933427S

(12) **United States Design Patent** (10) **Patent No.:** **US D933,427 S**  
**Ellison et al.** (45) **Date of Patent:** **\*\* Oct. 19, 2021**

(54) **BOWL** 2,545,733 A \* 3/1951 Hatfield ..... A47G 19/027  
220/574.2  
(71) Applicant: **YETI Coolers, LLC**, Austin, TX (US) D175,753 S 10/1955 Barnhart  
2,816,589 A \* 12/1957 Tupper ..... A47G 19/30  
220/305  
(72) Inventors: **Kyle Ellison**, Austin, TX (US); **Dustin Bullock**, Austin, TX (US); **Colin Darling**, Austin, TX (US) 3,307,602 A 3/1967 Boster  
3,391,847 A \* 7/1968 Christine ..... B65D 51/185  
229/123.1  
(73) Assignee: **YETI Coolers, LLC**, Austin, TX (US) (Continued)  
(\*\*) Term: **15 Years** FOREIGN PATENT DOCUMENTS  
(21) Appl. No.: **29/769,351** CA 81297 A 6/1903  
CA 87811 S 10/1999  
(22) Filed: **Feb. 4, 2021** (Continued)

**Related U.S. Application Data**

(63) Continuation of application No. 29/716,327, filed on Dec. 9, 2019, now Pat. No. Des. 911,780, which is a continuation of application No. 29/658,677, filed on Aug. 1, 2018, now Pat. No. Des. 869,241.  
(51) **LOC (13) Cl.** ..... **07-01**  
(52) **U.S. Cl.**  
USPC ..... **D7/587**  
(58) **Field of Classification Search**  
USPC ..... D7/500, 587, 565, 560, 543; D30/130  
CPC ..... A47G 19/025; A47G 19/02  
See application file for complete search history.

**References Cited**

**U.S. PATENT DOCUMENTS**

(56) 948,434 A \* 2/1910 Scott ..... A47G 19/02  
220/575  
D54,110 S \* 11/1919 McHale et al. .... D7/586  
D55,222 S \* 5/1920 Wentz ..... D7/500  
1,567,234 A \* 12/1925 Brucker ..... A21B 3/13  
249/136  
D119,166 S \* 2/1940 Guild ..... D7/565  
2,492,892 A \* 12/1949 Schlumbohm ..... A47J 27/002  
126/377.1

OTHER PUBLICATIONS  
304 Stainless Steel Children Rice Bowl <https://www.dhgate.com/product/304-stainless-steel-children-rice-bowl-small/406803863>  
received in search results from searcher on Feb. 28, 2018.  
(Continued)

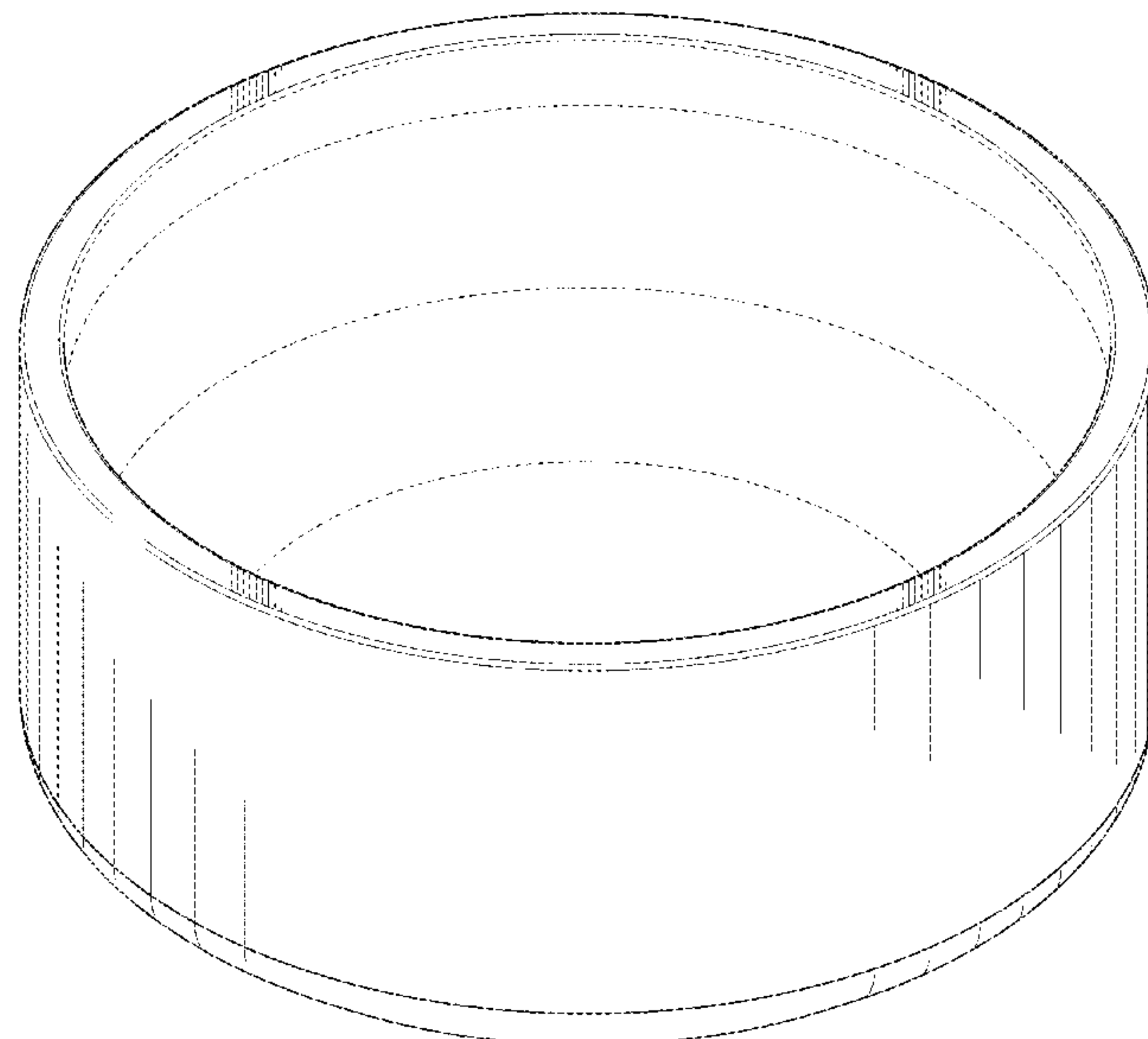
*Primary Examiner* — Cynthia R Underwood  
(74) *Attorney, Agent, or Firm* — Banner & Witcoff, Ltd.

(57) **CLAIM**  
The ornamental design for a bowl, as shown and described.

**DESCRIPTION**

FIG. 1 is a top, front, right perspective view of a bowl showing our new design;  
FIG. 2 is a front view thereof, wherein the rear view is a mirror image of FIG. 2;  
FIG. 3 is a right side view thereof, wherein the left side view is a mirror image of FIG. 3;  
FIG. 4 is a top view thereof; and,  
FIG. 5 is a bottom view thereof.  
The broken lines depict features of the bowl that form no part of the claimed design.

**1 Claim, 5 Drawing Sheets**



(56)

References Cited

U.S. PATENT DOCUMENTS

D243,912 S	4/1977	Daenen	D687,678 S	8/2013	Del Solar et al.
D250,929 S	1/1979	Gerstman et al.	D689,334 S	9/2013	Krueger et al.
D251,650 S	4/1979	Heller	D690,166 S	9/2013	Montgomery
D256,310 S	8/1980	Daenen	D693,182 S	11/2013	Katterheinrich et al.
4,471,880 A	9/1984	Taylor et al.	D699,078 S	2/2014	Katterheinrich et al.
D286,726 S	11/1986	Daenen et al.	8,646,413 B2	2/2014	Padia
4,809,868 A	3/1989	Pomroy	D701,088 S	3/2014	Hone
D304,275 S	10/1989	Kiefer	D709,317 S	7/2014	Cheng
5,105,768 A	4/1992	Johnson	8,919,590 B2	12/2014	Gillette et al.
5,161,711 A	11/1992	Picozza et al.	D722,252 S	2/2015	Lee et al.
5,209,184 A	5/1993	Sharkan et al.	D729,989 S	5/2015	Krueger
D340,554 S	10/1993	Wheeler	D738,159 S	9/2015	Cheng
5,258,191 A	11/1993	Hayes	D743,636 S	11/2015	Krueger
D344,210 S	2/1994	Cousins et al.	D749,371 S	2/2016	Kolano
D347,359 S	5/1994	Robbins, III	D752,378 S	3/2016	Wang
5,409,126 A	4/1995	DeMars	D760,951 S *	7/2016	Bennett ..... D27/136
D376,960 S	12/1996	Ferris	D761,061 S	7/2016	McConnell et al.
5,579,946 A	12/1996	Rowan et al.	9,402,371 B2	8/2016	Rabideau
D382,766 S	8/1997	Hamada et al.	D787,274 S	5/2017	Gagnon et al.
D383,646 S	9/1997	Jeppesen et al.	D789,152 S	6/2017	Wall
5,709,316 A	1/1998	Jolly et al.	D792,166 S	7/2017	Kirsh et al.
D391,118 S	2/1998	Jørgensen	D793,170 S	8/2017	Karussi et al.
D394,189 S	5/1998	Reynaert et al.	D794,393 S	8/2017	Karussi et al.
5,752,464 A	5/1998	King et al.	D794,394 S	8/2017	Karussi
D412,226 S	7/1999	Bellehumeur	9,832,971 B1	12/2017	Hollander et al.
D426,427 S	6/2000	Rubbright et al.	D807,121 S	1/2018	Mittal et al.
D428,771 S	8/2000	Novi	9,883,759 B2	2/2018	Kelaher et al.
D442,831 S	5/2001	Jacobs	D813,607 S	3/2018	Nally et al.
D461,101 S	8/2002	Garbo	D816,285 S	4/2018	Seiders et al.
D473,752 S	4/2003	Kerr	D821,039 S	6/2018	Owens, III
D476,852 S	7/2003	Willis	D823,643 S	7/2018	Paul
D476,861 S	7/2003	Zettle et al.	D824,720 S	8/2018	Gagnon et al.
D477,971 S	8/2003	Maier-Aichen	D825,865 S	8/2018	Abbey et al.
D478,253 S	8/2003	Maier-Aichen	D827,382 S	9/2018	Uzunlar
D479,806 S	9/2003	Nilsson	D828,726 S	9/2018	Epley
D483,229 S	12/2003	Maier-Aichen	D830,007 S	10/2018	Harris
D485,126 S	1/2004	Watson	D832,529 S	10/2018	Elliott
D485,127 S	1/2004	Maier-Aichen	D842,047 S	3/2019	Jordan
D498,389 S	11/2004	Tollman	D845,715 S	4/2019	Brownell
6,923,017 B2	8/2005	Dais et al.	D862,988 S	10/2019	Wiggins et al.
D511,074 S	11/2005	Claypool et al.	D866,266 S	11/2019	Arseneau et al.
7,040,249 B1	5/2006	Mushen	D867,163 S	11/2019	Portal-Andreu
7,063,231 B2	6/2006	Stanos et al.	D867,822 S	11/2019	Passot
D543,787 S	6/2007	Wasserman et al.	D869,240 S	12/2019	Modi
D545,627 S	7/2007	Chatterton et al.	D869,241 S	12/2019	Ellison et al.
D547,125 S	7/2007	Wasserman et al.	D876,876 S	3/2020	Wang
D549,040 S	8/2007	Henry	D881,653 S	4/2020	Serrahima et al.
D549,050 S	8/2007	Spencer et al.	D884,289 S	5/2020	Wu
D553,913 S	10/2007	Jackson	D884,426 S *	5/2020	Rupp ..... D7/523
D563,607 S	3/2008	Northrop	D885,140 S *	5/2020	Jordan ..... D7/605
D564,710 S	3/2008	Modi et al.	D889,900 S	7/2020	Cheng
D564,711 S	3/2008	Modi et al.	D889,901 S	7/2020	Cheng et al.
D565,253 S	3/2008	Modi et al.	D891,924 S	8/2020	Mitchell
7,380,412 B2	6/2008	Roth et al.	10,729,261 B2 *	8/2020	Ellison ..... A47G 19/2261
7,387,082 B1	6/2008	Fried	D915,828 S *	4/2021	Schiermeier ..... D7/554.2
7,392,761 B2	7/2008	Kujawa et al.	D916,543 S *	4/2021	Cheng ..... D7/354
D575,992 S	9/2008	LeGreve et al.	D916,544 S *	4/2021	Cheng ..... D7/354
D584,110 S	1/2009	Hauser	D918,643 S *	5/2021	Cheng ..... D7/354
7,478,588 B2	1/2009	Miller et al.	D921,414 S *	6/2021	Cheng ..... D7/354
D598,238 S	8/2009	Durdon et al.	2002/0112614 A1	8/2002	Zoss
D599,609 S	9/2009	Ruffoni	2006/0144340 A1	7/2006	Burge et al.
D601,309 S	9/2009	Babal	2007/0034161 A1	2/2007	Thompson
D602,651 S	10/2009	Modi et al.	2008/0022937 A1	1/2008	Shirley et al.
7,600,486 B2	10/2009	Ellis	2008/0302307 A1	12/2008	Bertsch et al.
D607,329 S	1/2010	Diss	2008/0308044 A1	12/2008	Tiemann
D608,499 S	1/2010	Hodgson et al.	2009/0026205 A1	1/2009	Moon
D628,443 S	12/2010	McTaggart	2010/0018970 A1	1/2010	Jain
D630,897 S	1/2011	Jarvis et al.	2010/0263328 A1	10/2010	Dorsey et al.
D636,946 S	4/2011	Able	2011/0162583 A1	7/2011	Rostamo et al.
7,922,027 B2	4/2011	Boyden et al.	2011/0180543 A1	7/2011	Rusnak et al.
D637,448 S	5/2011	Cheng	2013/0276712 A1	10/2013	Jain
D641,585 S	7/2011	Cheng	2014/0326189 A1	11/2014	Jain
D677,124 S	3/2013	Montgomery	2016/0262345 A1	9/2016	Gitter et al.
D680,813 S	4/2013	De Leo	2016/0376065 A1	12/2016	Zimmerman
D684,017 S	6/2013	Wong	2017/0367536 A1	12/2017	Wall
			2018/0134465 A1	5/2018	Kuo
			2018/0222660 A1	8/2018	Krus
			2018/0289186 A1	10/2018	Heiberger
			2018/0295806 A1	10/2018	DeVona



(56)

## References Cited

## U.S. PATENT DOCUMENTS

2019/0014873 A1 1/2019 Shepherd  
 2019/0059321 A1 2/2019 Casale  
 2019/0315538 A1 10/2019 Cheng  
 2020/0085721 A1 3/2020 Nishida et al.

## FOREIGN PATENT DOCUMENTS

CA 142678 S 5/2013  
 CN 1792735 A 6/2006  
 CN 301376984 11/2010  
 CN 301447169 1/2011  
 CN 201995435 U 10/2011  
 CN 302323891 2/2013  
 CN 302859335 6/2014  
 CN 303304588 7/2015  
 CN 303488464 12/2015  
 CN 303694772 6/2016  
 CN 303927758 11/2016  
 CN 303953741 11/2016  
 CN 303990818 12/2016  
 CN 304164337 6/2017  
 CN 304164337 S 6/2017  
 CN 304238791 8/2017  
 CN 304238791 S 8/2017  
 CN 304255933 8/2017  
 CN 304278237 S 9/2017  
 CN 304278238 S 9/2017  
 CN 304290801 S 9/2017  
 CN 304337562 S 10/2017  
 CN 304373499 11/2017  
 CN 304373499 S 11/2017  
 CN 304448019 1/2018  
 CN 304478215 S 1/2018  
 CN 304480651 1/2018  
 CN 304480651 S 1/2018  
 CN 304484602 S 1/2018  
 CN 304490101 2/2018  
 CN 304491988 S 2/2018  
 CN 304492055 S 2/2018  
 CN 304502948 S 2/2018  
 CN 304522649 S 3/2018  
 CN 304531652 S 3/2018  
 CN 304557251 S 3/2018  
 CN 107985786 A 5/2018  
 CN 304676166 S 6/2018  
 CN 304700992 S 6/2018  
 CN 304756094 S 8/2018  
 CN 304813552 S 9/2018  
 CN 304823168 S 9/2018  
 CN 304845734 S 10/2018  
 CN 304855772 S 10/2018  
 CN 304955770 S 12/2018  
 CN 304961123 S 12/2018  
 CN 304965966 S 12/2018  
 CN 303953741 S 1/2019  
 CN 304972012 S 1/2019  
 CN 208610686 U 3/2019  
 CN 305101859 4/2019  
 CN 110371482 A 10/2019  
 CN 305549362 1/2020  
 DE 20313085 U1 11/2003  
 EM 005636578-0001 A1 6/2018  
 EM 005246188-0003 A1 9/2018  
 EP 001606385-0030 11/1919  
 EP 000146816-0002 6/2004  
 EP 000236880-0001 12/2004  
 EP 000467519-0002 2/2006  
 EP 000555289-0001 8/2006  
 EP 001606385-0031 11/2009  
 EP 2147593 A2 1/2010  
 EP 002547281-0001 10/2014  
 EP 2720960 B1 9/2015  
 EP 003860097-0001 5/2017  
 EP 3046411 B1 4/2019  
 GB 2094194 8/2000

IN 265797-0001 5/2015  
 IN 201711037261 6/2019  
 IN 314224-004-0001 1/2020  
 JP 5132299 B2 1/2013  
 JP D1622556 1/2019  
 KR 19980028254 U 8/1998  
 KR 200351500 Y1 5/2004  
 KR 20060116628 A 11/2006  
 KR 101180553 B1 9/2012  
 KR 300826611.0000 11/2015  
 WO D060038-001 6/2002  
 WO 06070965 A1 7/2006  
 WO 12053734 A1 4/2012  
 WO 2017160848 A1 9/2017  
 WO 18211518 A1 11/2018  
 WO 2019120407 A1 6/2019

## OTHER PUBLICATIONS

Non Slip Pet Bowl <https://www.bmstores.co.uk/products/pets/pet-bowls-and-mats> received in search results from searcher on Feb. 28, 2018.

Personalized Dog Bowls <http://www.a?rmingbeliefs.com/personalized-dog-dishes/new-designs-for-our-personalized-dog-bowls-anchor-monogram-chevron-www-personalized-dog-bowls-canada-personalized-dog-bowls-with-stand-personalized-dog-bowls-uk/> received in search results from searcher on Feb. 28, 2018.

Personalized name plum pink damask black glitter bowl [https://www.zazzle.com/personalized\\_name\\_plum\\_pink\\_damask\\_black\\_glitter\\_bowl-215235337491185678](https://www.zazzle.com/personalized_name_plum_pink_damask_black_glitter_bowl-215235337491185678) received in search results from searcher on Feb. 28, 2018.

Basecamp Bowl <http://www.dealers.ruffwear.com/Basecamp-Bowl-Indoor-Dog-Bowl> received in search results from searcher on Feb. 28, 2018.

Dec. 2, 2019—(PCT) Written Opinion and IPR—App PCT/US2019/053252.

Dec. 2, 2019—(PCT) Written Opinion and ISR App. PCT/US2019/053252.

Signature Housewares Bones Dog Bowl, Gray <https://www.chewy.com/signature-housewares-bones-dog-bowl/dp/130950> received in search results from searcher on Jan. 23, 2020.

Bogo Brands Collapsible Dog Bowl with Lid 2 Pk—Portable Travel Food and Water Pet Bowl by (3 Colors) [https://www.amazon.com/dp/B06XZQ9WJ9/ref=twister\\_B06Y1BQVG1?encoding=UTF8&psc=1](https://www.amazon.com/dp/B06XZQ9WJ9/ref=twister_B06Y1BQVG1?encoding=UTF8&psc=1) received in search results from searcher on Jan. 23, 2020.

Martha Stewart Melamine Stainless Steel Pet Bowl Set with Lid <https://heavy.com/pets/2016/02/best-dog-bowls/> received in search results from searcher on Jan. 23, 2020.

Collapsible Dog Bowl with Lid 2 Pk—Portable Travel Food and Water Pet Bowl by bogo Brands (3 Colors) <https://www.tipoftexk9rescue.org/shop/collapsible-dog-bowl-with-lid-2-pk-portable-travel-food-and-water-pet-bowl-by-bogo-brands-3-colors/> received in search results from searcher on Jan. 23, 2020.

Best dog bowl for car travel: Eco Friendly dish fits in car cup holder! Listed for charity <https://www.ebay.com/itm/Best-dog-bowl-for-car-travel-Eco-Friendly-dish-fits-in-car-cup-holder-/362731239398> received in search results from searcher on Jan. 23, 2020.

The best portable dog food bowl <https://www.businessinsider.com/best-dog-bowl> received in search results from searcher on Jan. 23, 2020.

Nov. 9, 2020—(CA) Examination Report—App. No. 185880.

United States District Court Western District of Texas, Austin Division, “Complaint for Damages and Injunctive Relief tor: (1)-(12) Patent Infringement in Violation of 35 U.S.C. § 271; and (13) Breach of Contract”, *YETI Coolers, LLC v. RTIC Outdoors, LLC; and Corporate Support & Fulfillment, LLC*, Case 1:21-cv-00214, filed Mar. 5, 2021, 338 pages.

United States District Court Western District of Texas, Austin Division, “First Amended Complaint, ‘Complaint for Damages and Injunctive Relief tor: (1)-(15) Patent Infringement in Violation of 35 U.S.C. § 271; and (16) Breach of Contract’”, *YETI Coolers, LLC v.*

(56)

**References Cited**

OTHER PUBLICATIONS

*RTIC Outdoors, LLC; and Corporate Support & Fulfillment, LLC*, Case 1:21-cv-00214-RP, Document 10, filed Jun. 2, 2021, 39 pages. United States District Court Western District of Texas, Austin Division, “Answer of Defendants RTIC Outdoors, LLC and Corporate Support & Fulfillment, LLC to YETI’s Amended Complaint: (1)-(15) Patent Infringement in Violation of 35 U.S.C. § 271; and (16) Breach of Contract”, *YETI Coolers, LLC v. RTIC Outdoors, LLC; and Corporate Support & Fulfillment, LLC*, Case 1:21-cv-00214-RP, Document 16, filed Jun. 17, 2021, 79 pages (See pp. 45, 46, 66-77 alleging invalidity).

\* cited by examiner

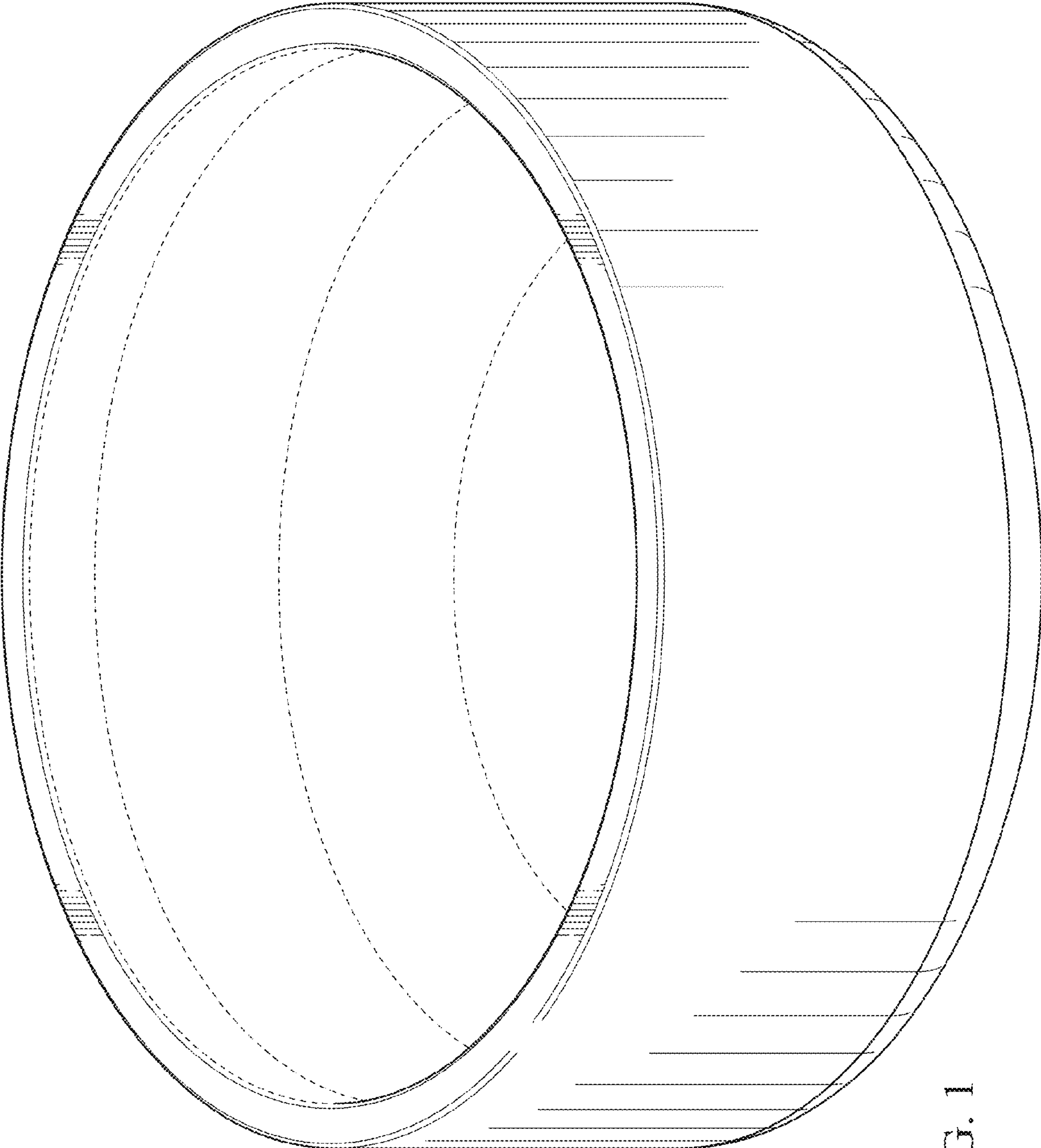


FIG. 1

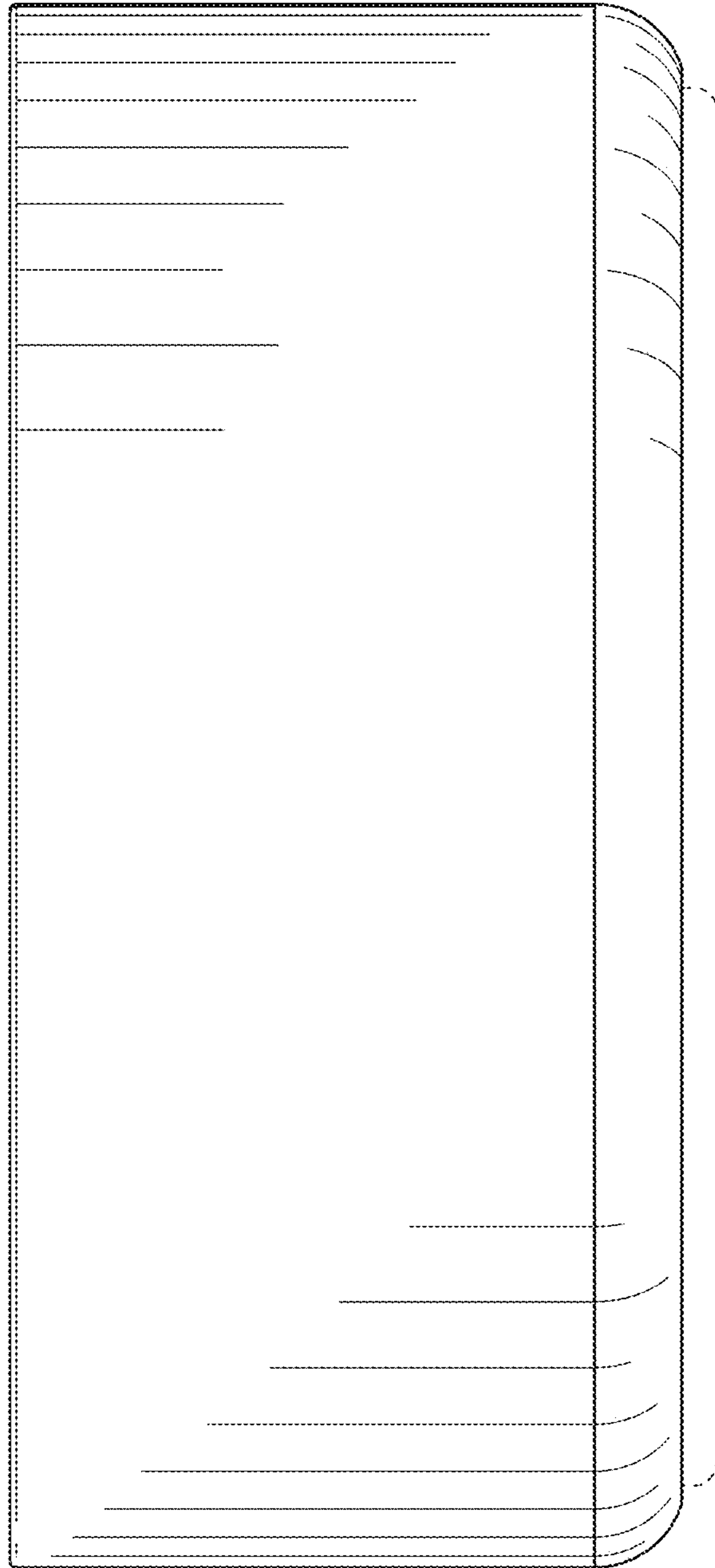


FIG. 2



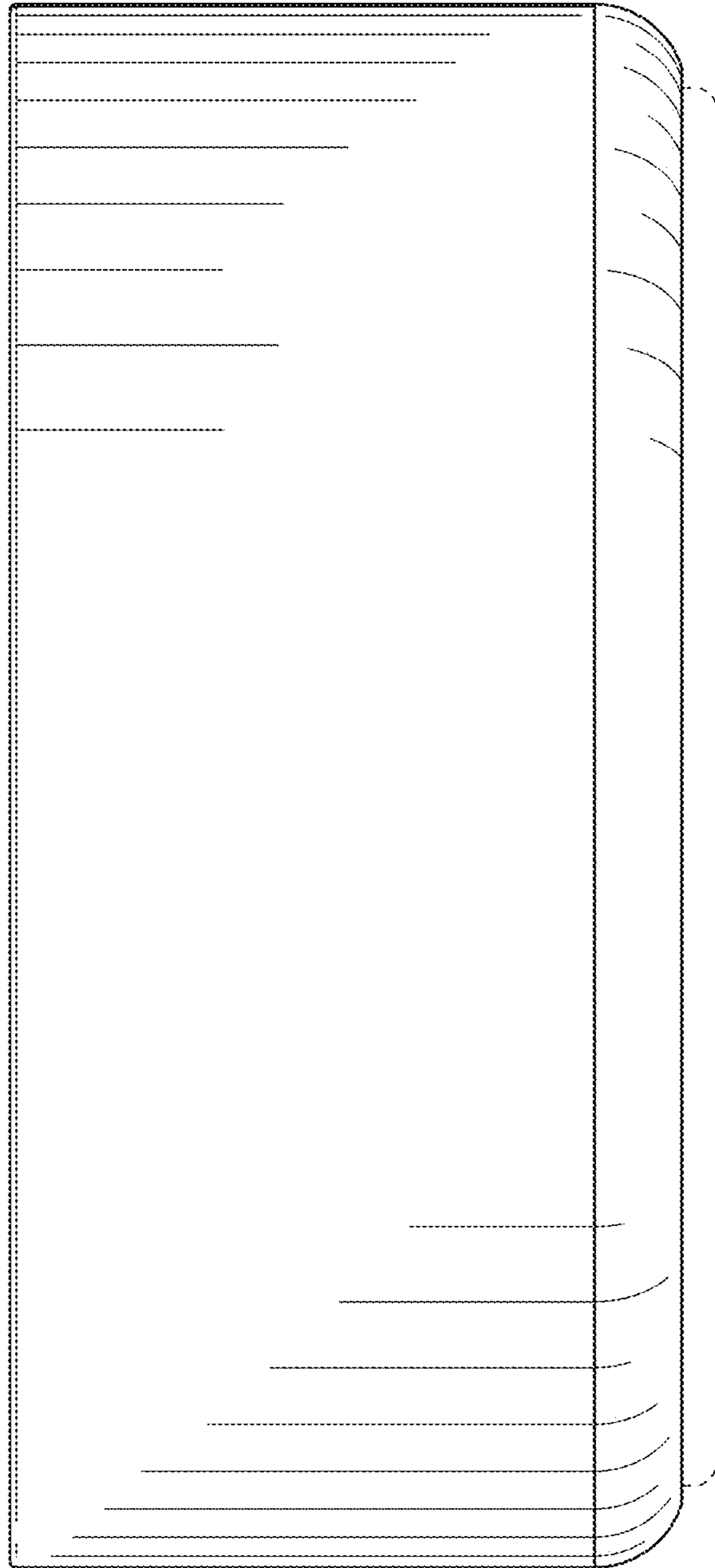


FIG. 3

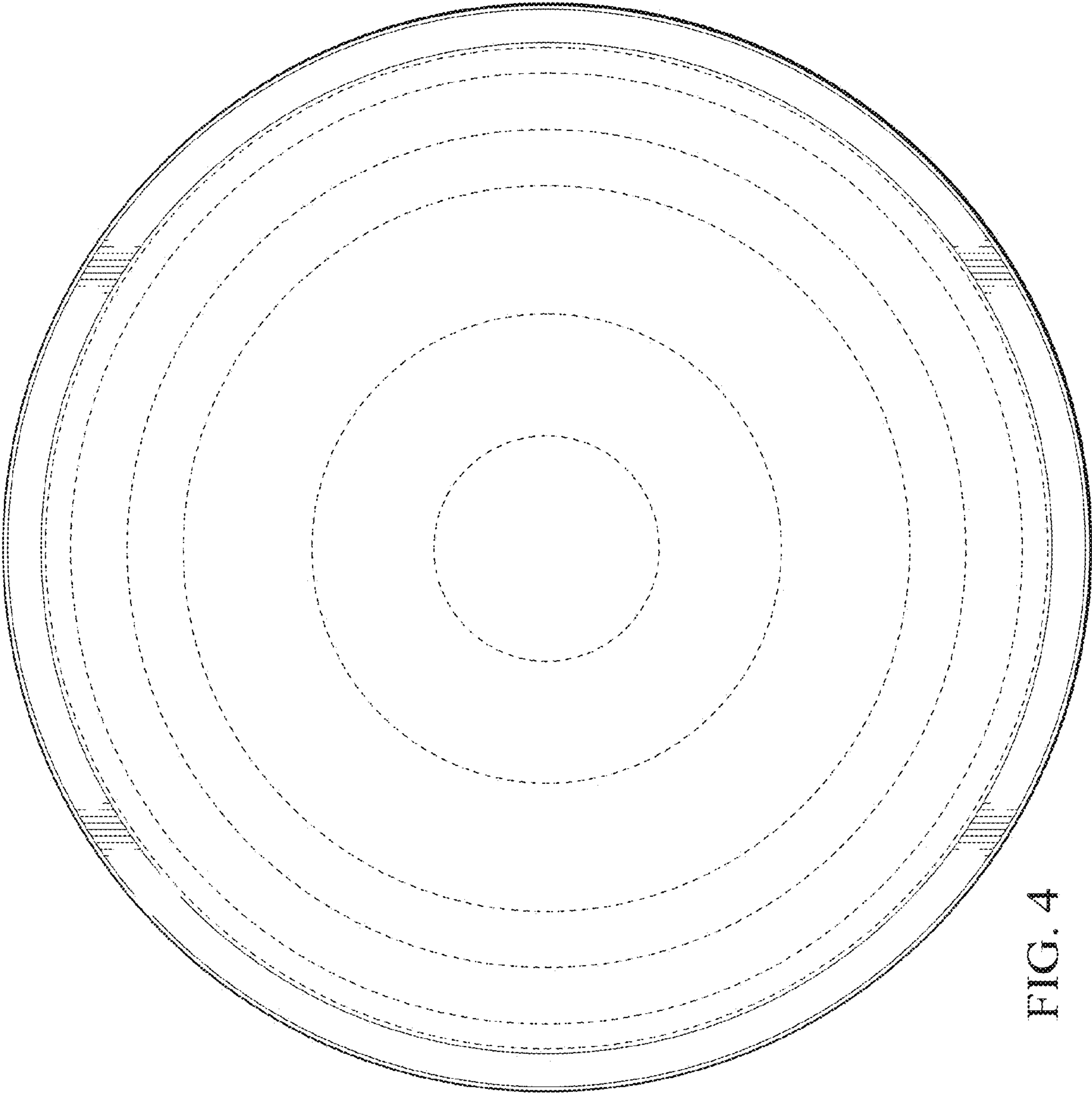


FIG. 4



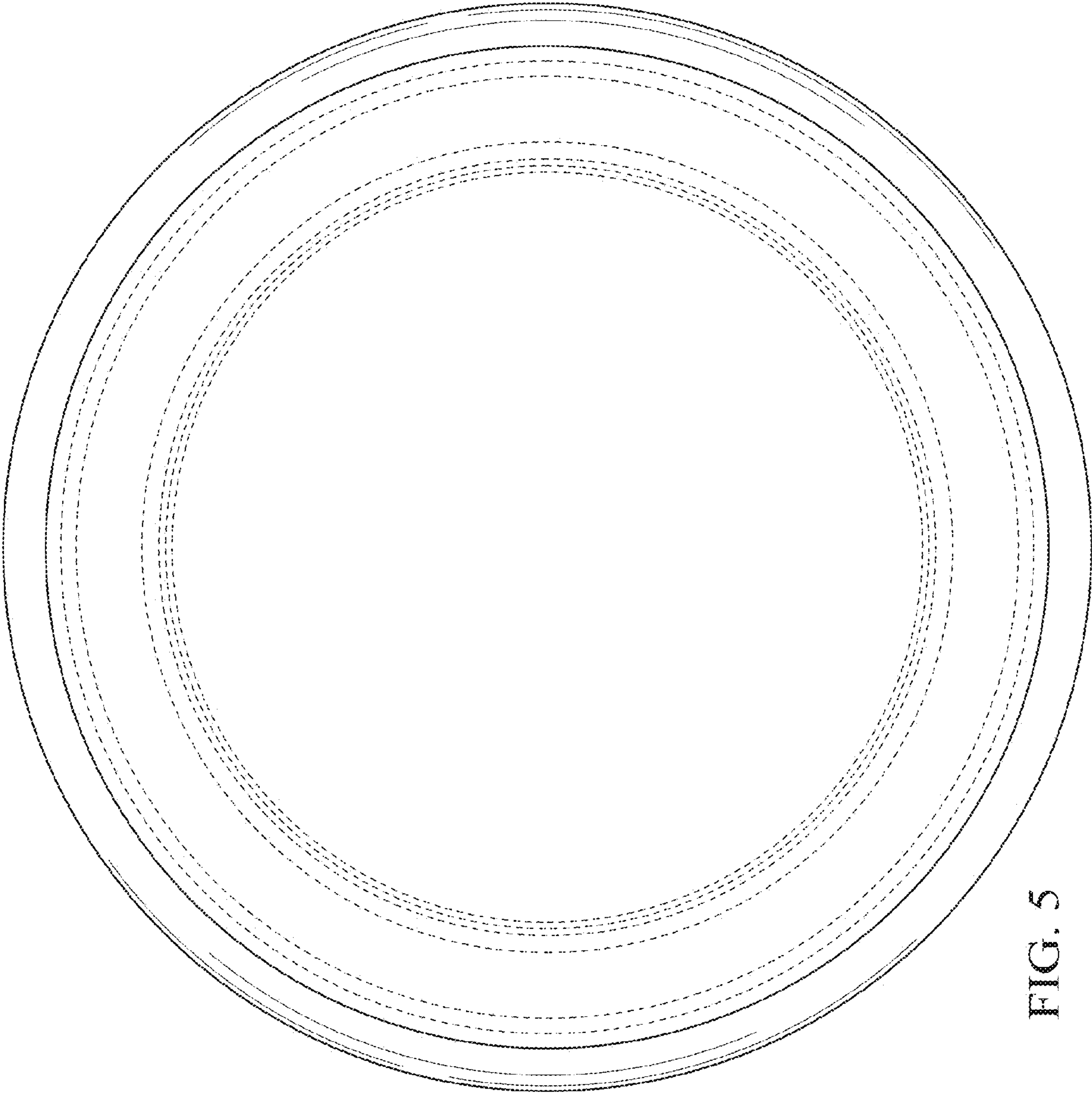


FIG. 5