



US00D933425S

(12) **United States Design Patent**  
**Hao**

(10) **Patent No.:** **US D933,425 S**  
(45) **Date of Patent:** **\*\* Oct. 19, 2021**

(54) **WATER BOTTLE**

(71) Applicant: **Junjie Hao**, Guangdong (CN)

(72) Inventor: **Junjie Hao**, Guangdong (CN)

(73) Assignee: **Shenzhen Mlife Household Products Co., Ltd.**, Guangdong (CN)

(\*\*) Term: **15 Years**

(21) Appl. No.: **29/697,586**

(22) Filed: **Jul. 10, 2019**

(51) **LOC (13) Cl.** ..... **07-01**

(52) **U.S. Cl.**  
USPC ..... **D7/536; D7/533; D7/510**

(58) **Field of Classification Search**  
USPC ..... D7/507, 509, 510, 511, 387, 392.1,  
D7/396.2, 368, 690, 376, 300.1, 300.2,  
D7/312, 213; D9/435, 436, 530, 537,  
D9/543, 503, 504  
CPC ..... A47J 43/27; A47G 19/22; A47G 19/16;  
A47G 19/2205; A47G 19/2288; B65D  
1/265

See application file for complete search history.

(56) **References Cited**

**U.S. PATENT DOCUMENTS**

D467,183 S \* 12/2002 Chew ..... D9/561  
D731,894 S \* 6/2015 Meyer ..... D9/561

D801,818 S \* 11/2017 Vedamuthu ..... D9/531  
D871,845 S \* 1/2020 Huang ..... D7/510  
D891,934 S \* 8/2020 Patel ..... D9/561  
D893,262 S \* 8/2020 Wang ..... D7/511

**OTHER PUBLICATIONS**

[https://www.amazon.com/dp/B08M17TRCP/ref=cm\\_sw\\_em\\_r\\_mt\\_dp\\_Y1J7DHK3TBACT4MHPH12?\\_encoding=UTF8&psc=1](https://www.amazon.com/dp/B08M17TRCP/ref=cm_sw_em_r_mt_dp_Y1J7DHK3TBACT4MHPH12?_encoding=UTF8&psc=1) (Year: 2020).\*

\* cited by examiner

*Primary Examiner* — Jae Liang

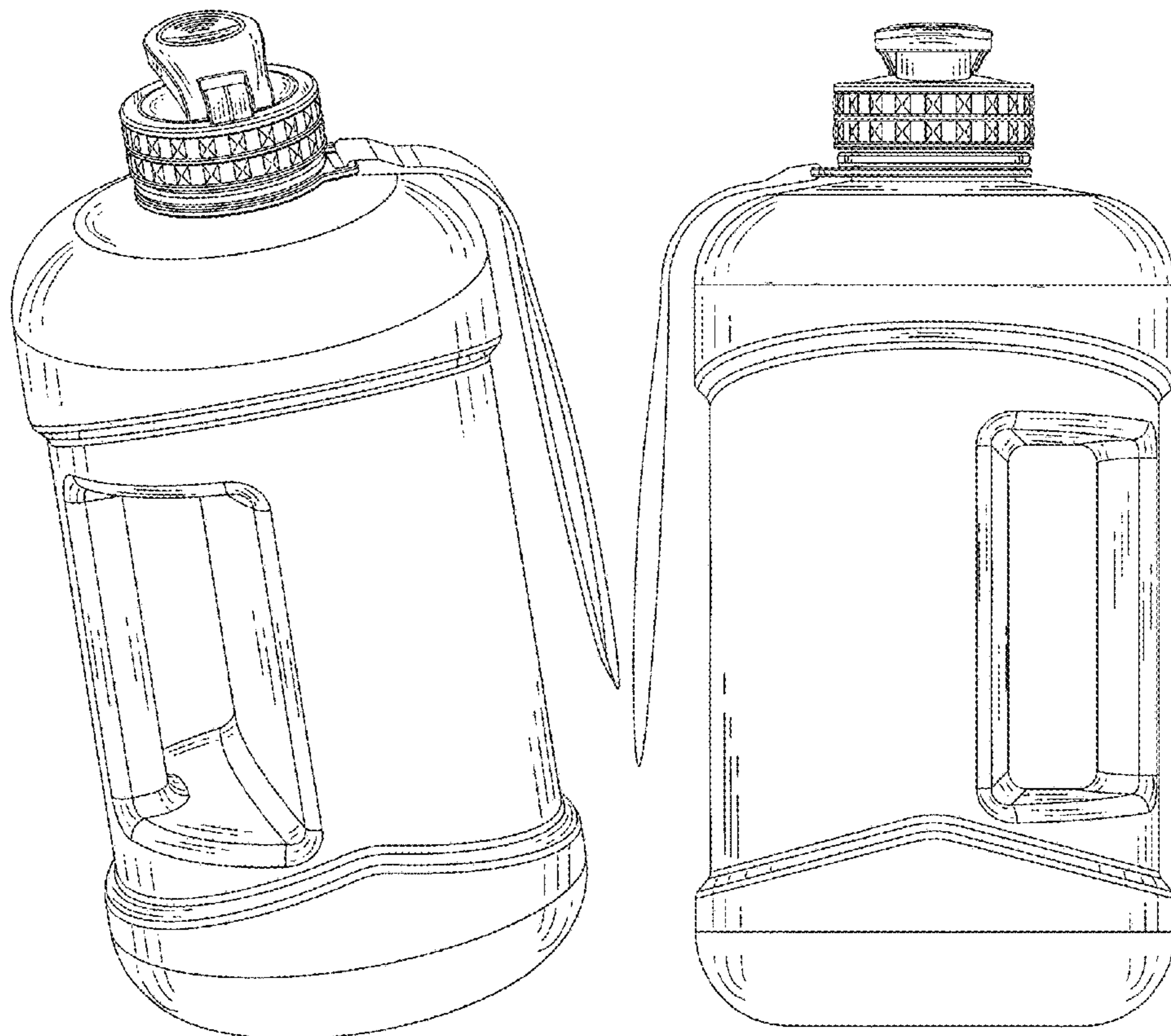
(57) **CLAIM**

The ornamental design for a water bottle, as shown and described.

**DESCRIPTION**

FIG. 1 is a perspective view of a water bottle showing my new design;  
FIG. 2 is a front elevation view thereof;  
FIG. 3 is a rear elevation view thereof;  
FIG. 4 is a left side elevation view thereof;  
FIG. 5 is a right side elevation view thereof;  
FIG. 6 is a top plan view thereof; and,  
FIG. 7 is a bottom plan view thereof.  
The broken lines in the Figures depict portions of the article and form no part of the claimed design.

**1 Claim, 7 Drawing Sheets**



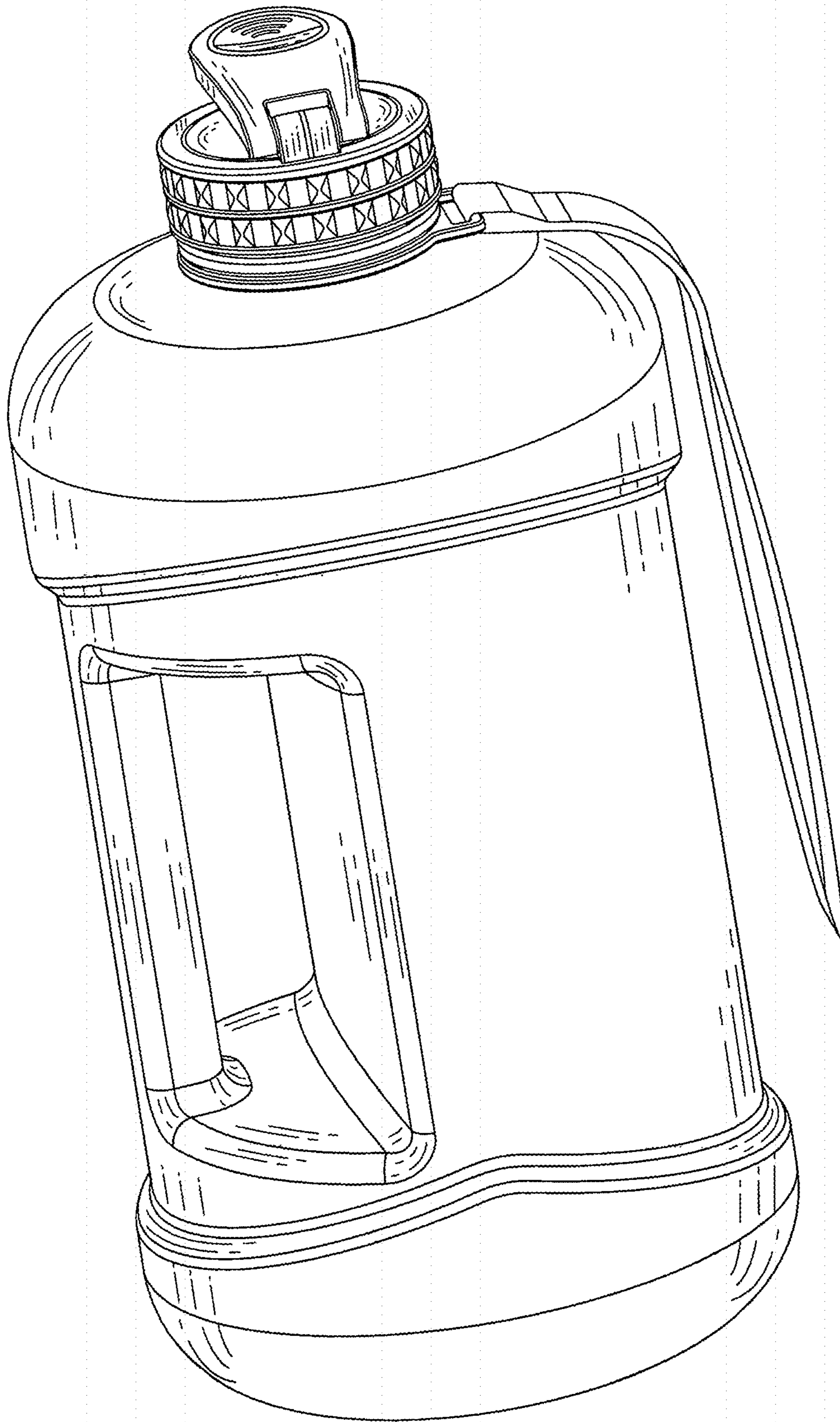


FIG. 1

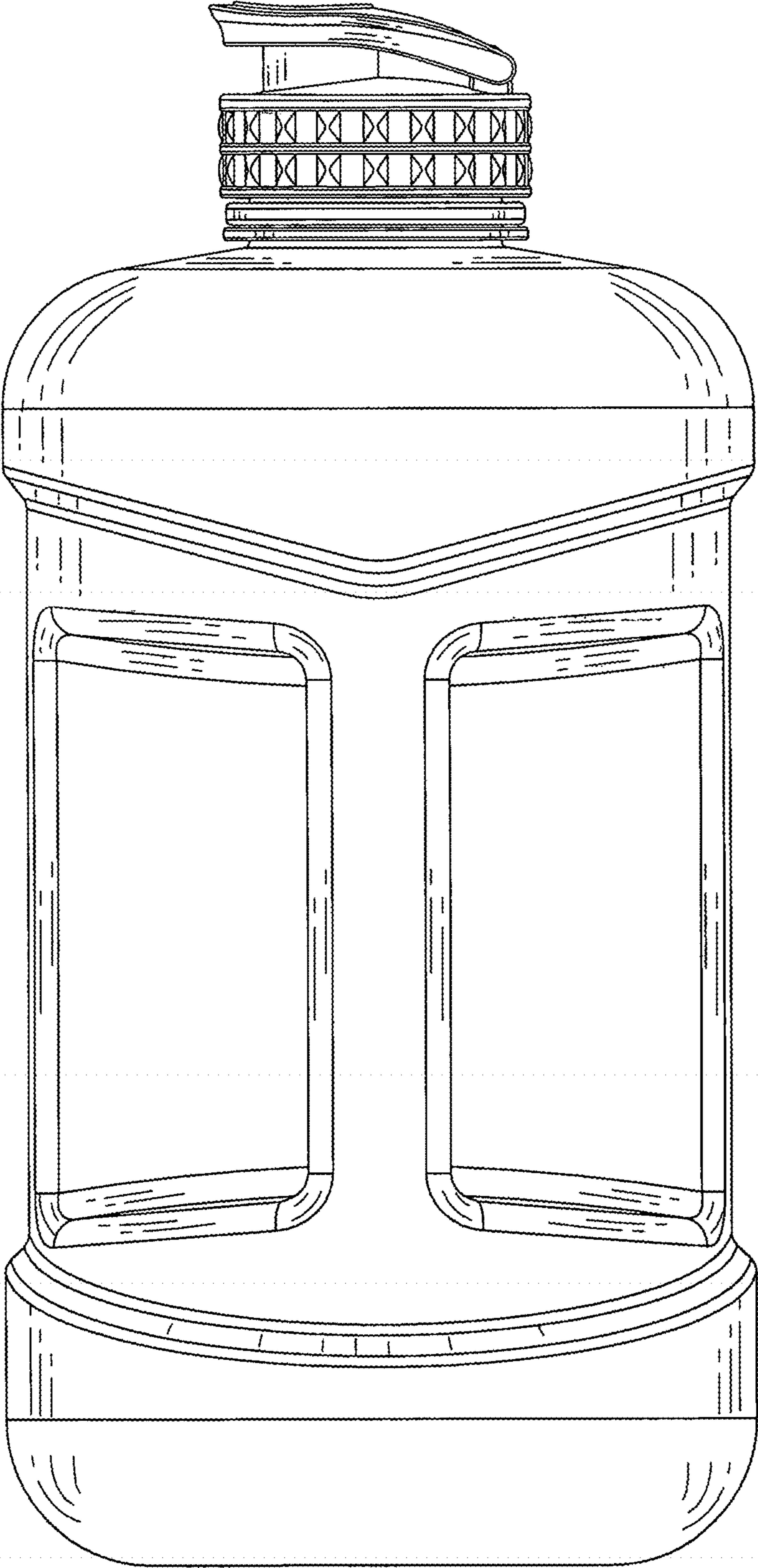


FIG. 2

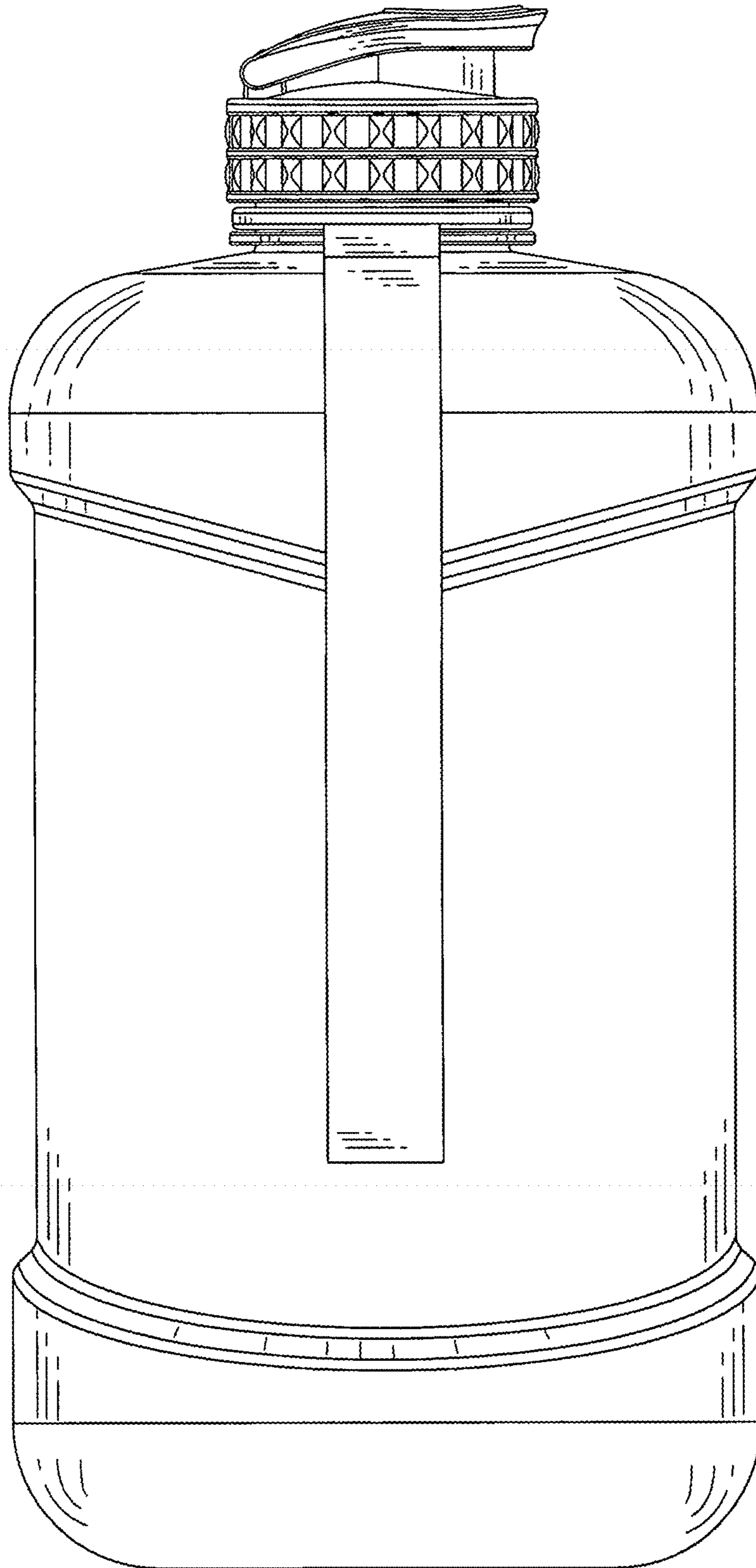


FIG. 3

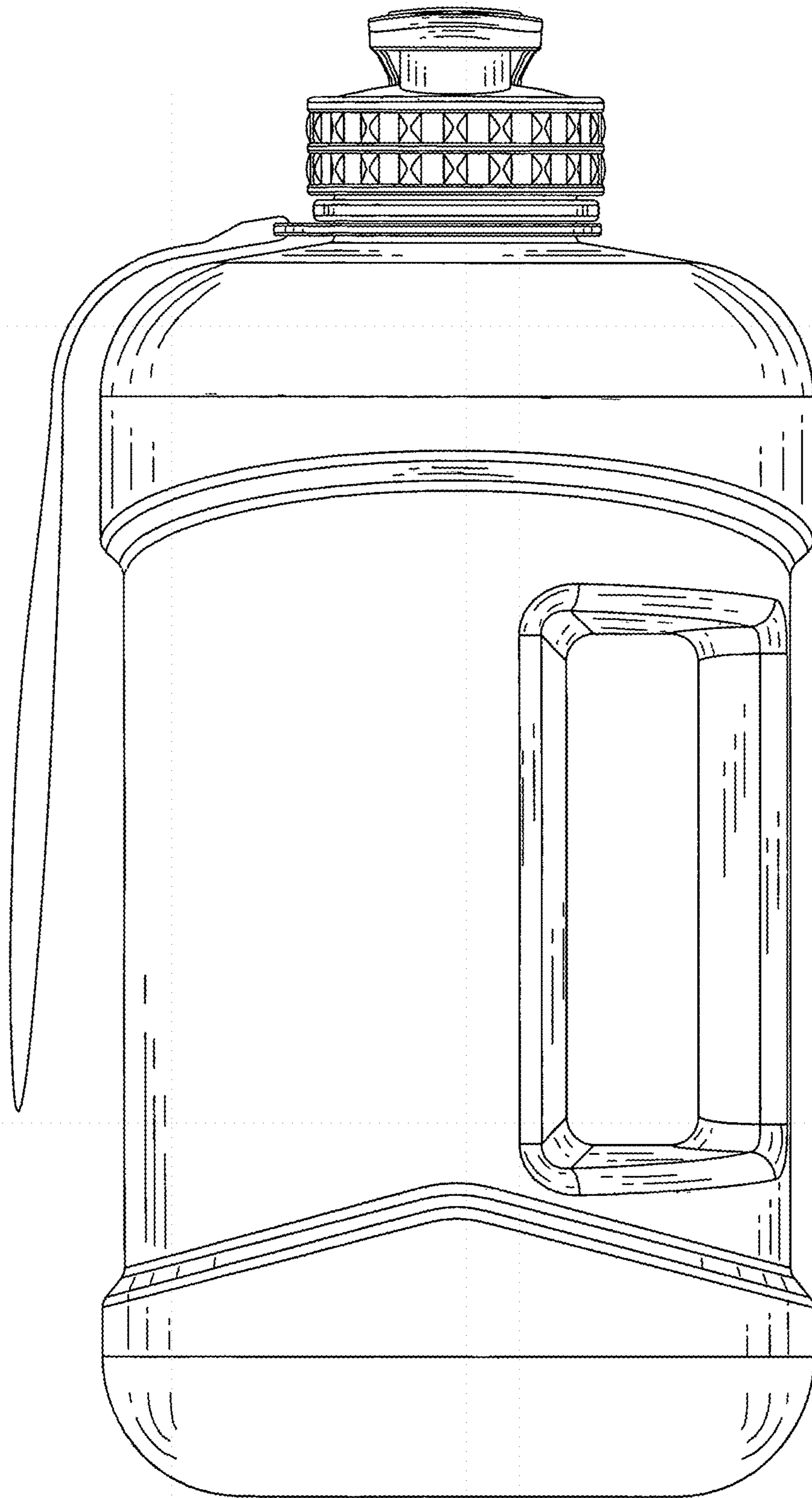


FIG. 4

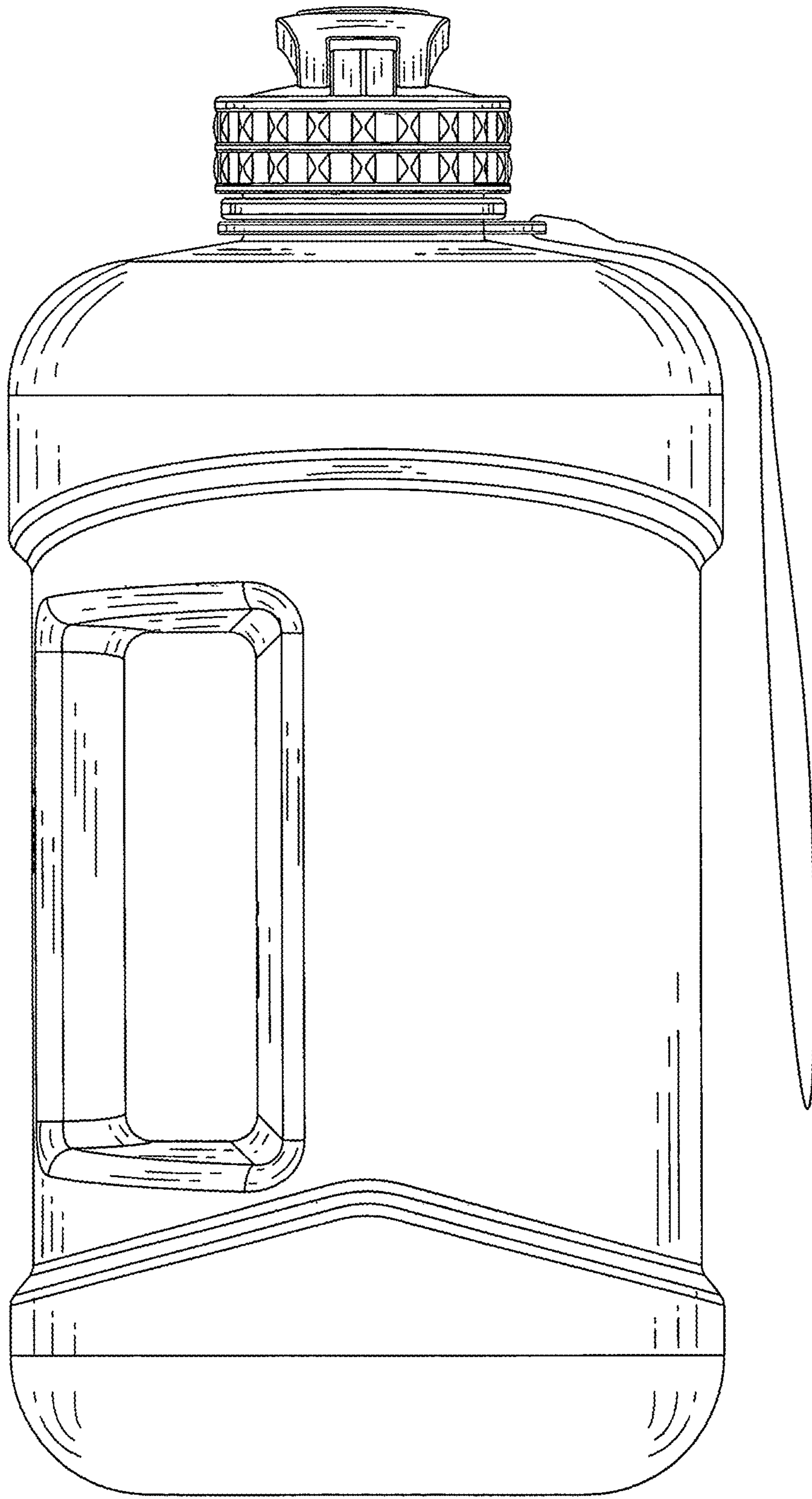


FIG. 5

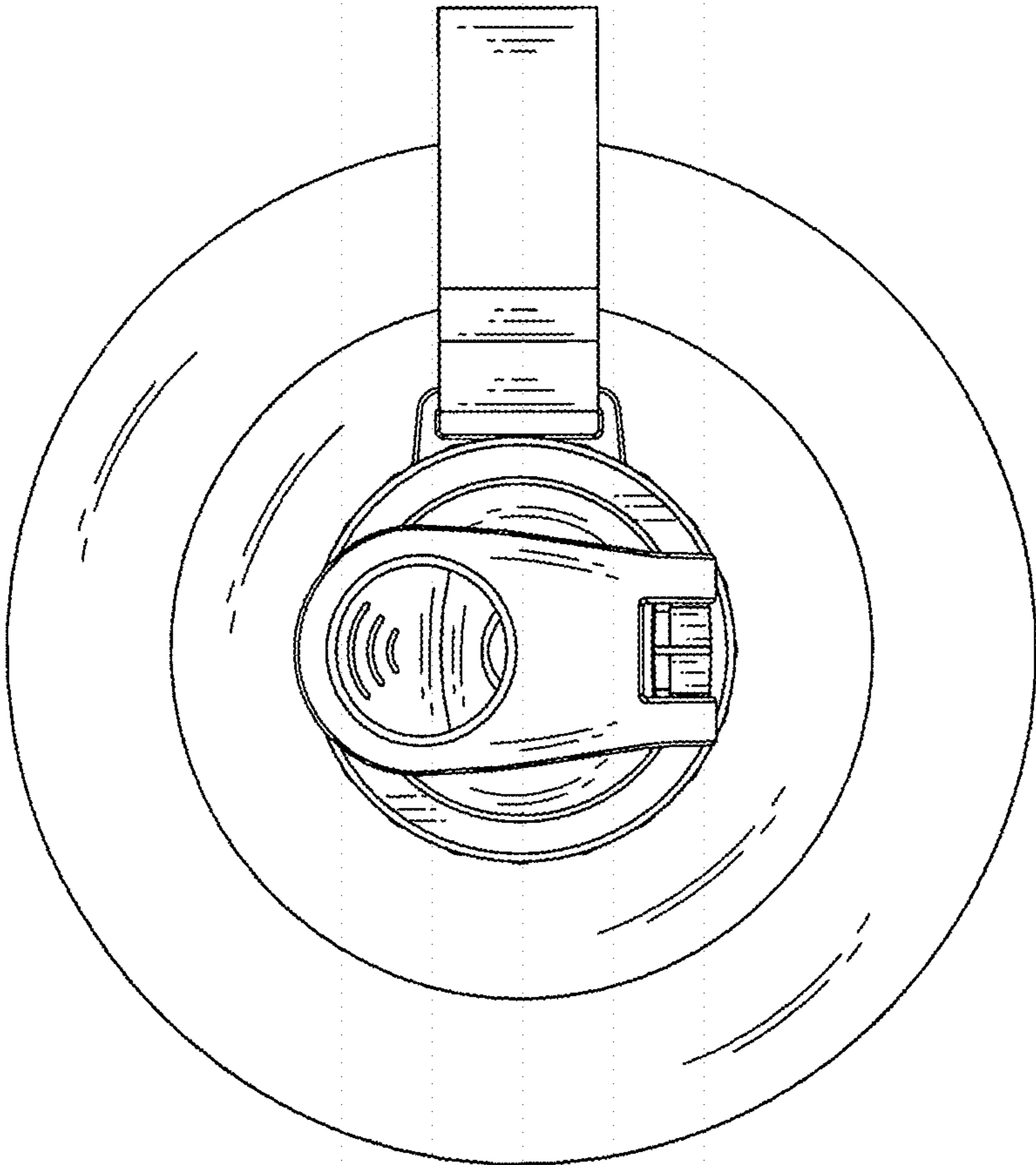


FIG. 6

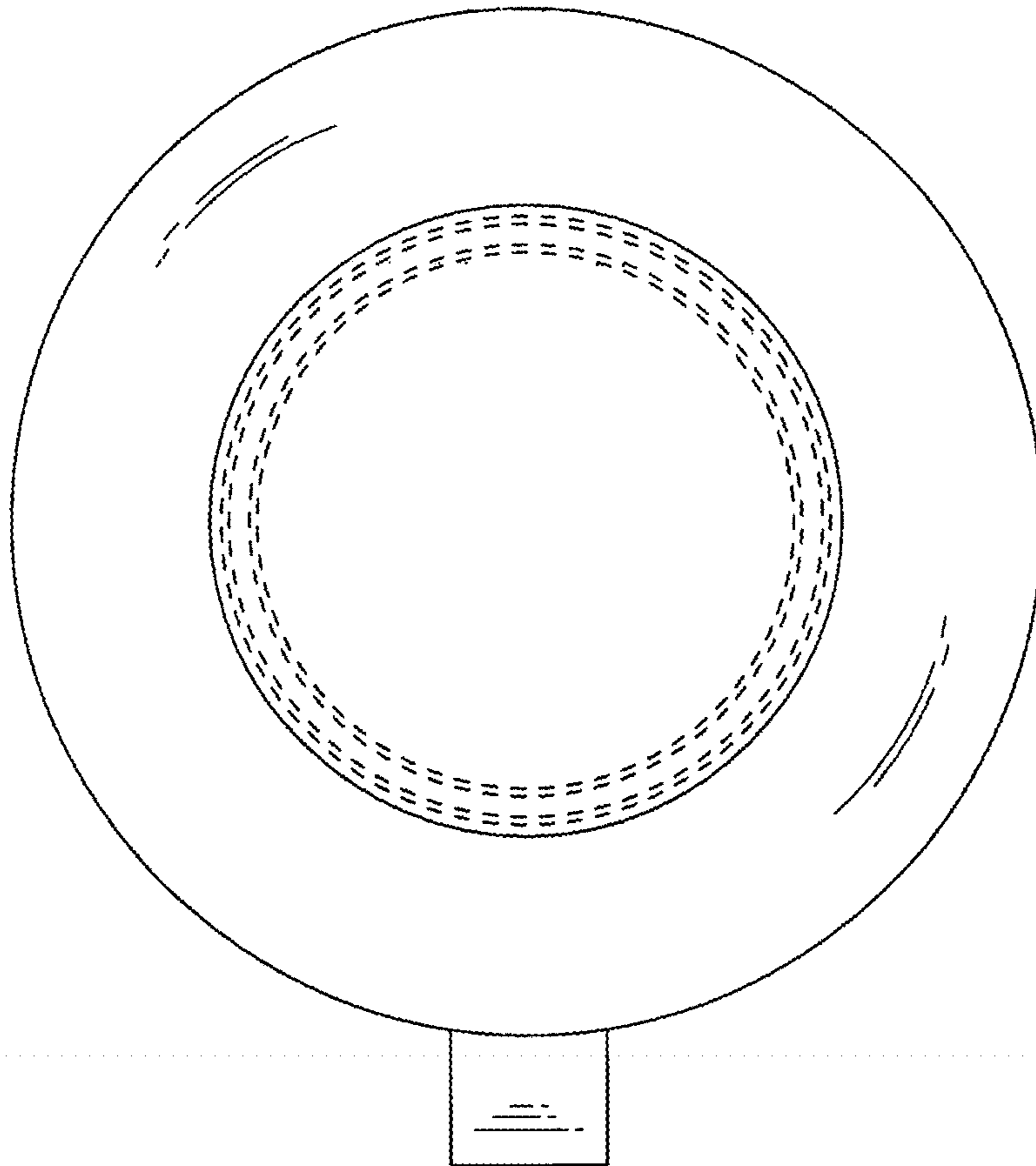


FIG. 7