



US00D933424S

(12) **United States Design Patent**
Hao

(10) **Patent No.:** **US D933,424 S**

(45) **Date of Patent:** **** Oct. 19, 2021**

(54) **WATER BOTTLE**

(71) Applicant: **Junjie Hao**, Guangdong (CN)

(72) Inventor: **Junjie Hao**, Guangdong (CN)

(73) Assignee: **Shenzhen Mlife Household Products Co., Ltd.**, Guangdong (CN)

(**) Term: **15 Years**

(21) Appl. No.: **29/697,584**

(22) Filed: **Jul. 10, 2019**

(51) **LOC (13) Cl.** **07-01**

(52) **U.S. Cl.**
USPC **D7/510**; D6/536

(58) **Field of Classification Search**
USPC D7/507, 509, 510, 511, 387, 392.1,
D7/396.2, 368, 690, 376, 300.1, 300.2,
D7/312, 213, 536, 533; D9/435, 436,
D9/530, 537, 543, 503, 504
CPC A47J 43/27; A47G 19/22; A47G 19/16;
A47G 19/2205; A47G 19/2288; B65D
1/265

See application file for complete search history.

(56) **References Cited**

U.S. PATENT DOCUMENTS

D467,183 S * 12/2002 Chew D9/561
D731,894 S * 6/2015 Meyer D9/561

D801,818 S * 11/2017 Vedamuthu D9/531
D871,845 S * 1/2020 Huang D7/510
D891,934 S * 8/2020 Patel D9/561
D893,262 S * 8/2020 Wang D7/511
D922,826 S * 6/2021 Lin D7/510

OTHER PUBLICATIONS

https://www.amazon.com/FORWEWAY-Bottles-Portable-Traveling-Activity/dp/B088BX832K/ref=sr_1_3?dchild=1&keywords=triangular+water+bottle&qid=1615927873&sr=8-3 (Year: 2020).*

* cited by examiner

Primary Examiner — Jae Liang

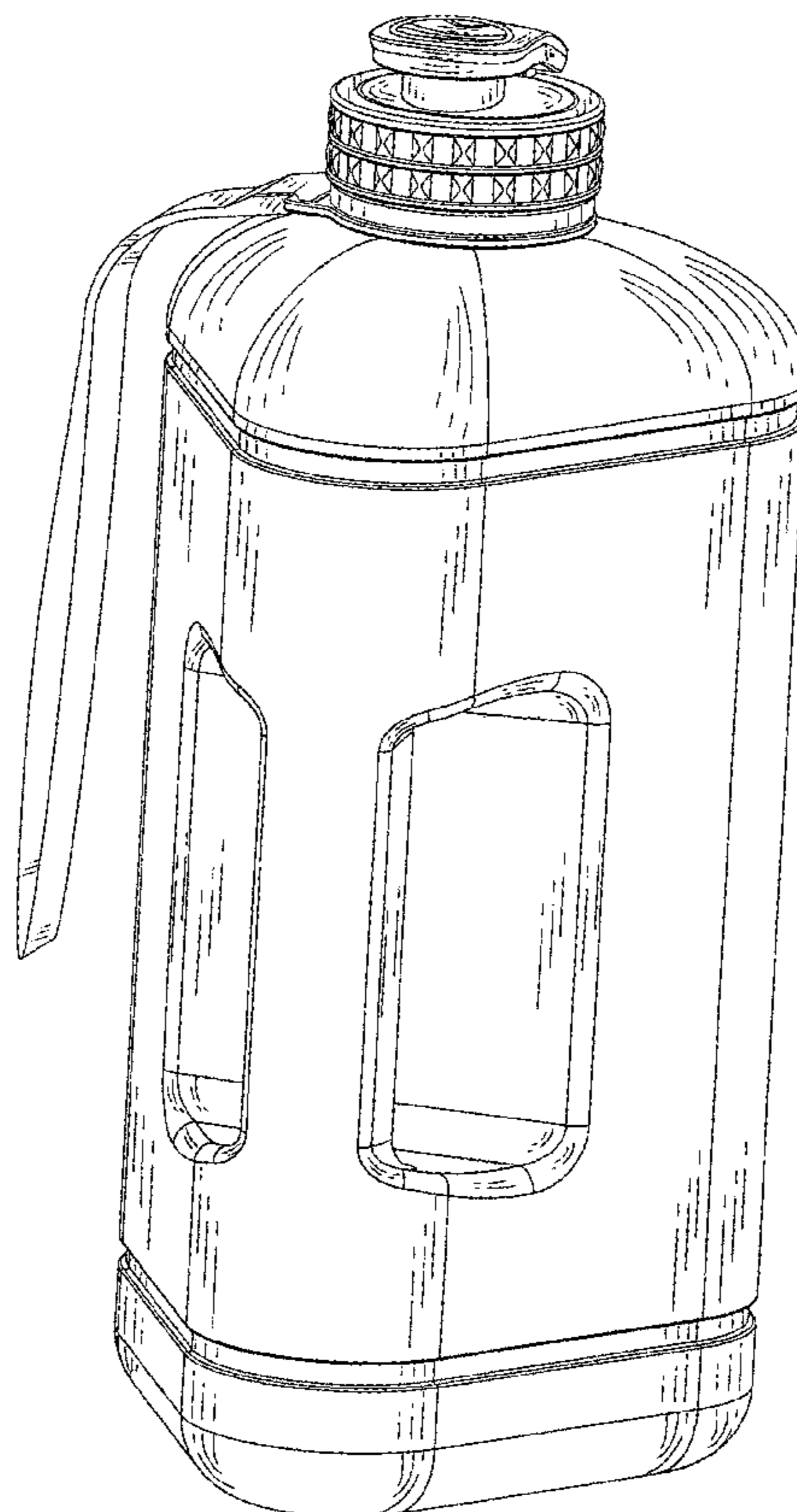
(57) **CLAIM**

The ornamental design for a water bottle, as shown and described.

DESCRIPTION

FIG. 1 is a perspective view of a water bottle showing my new design;
FIG. 2 is a front elevation view thereof;
FIG. 3 is a rear elevation view thereof;
FIG. 4 is a left side elevation view thereof;
FIG. 5 is a right side elevation view thereof;
FIG. 6 is a top plan view thereof; and,
FIG. 7 is a bottom plan view thereof.
The broken lines in the Figures depict portions of the article and form no part of the claimed design.

1 Claim, 7 Drawing Sheets



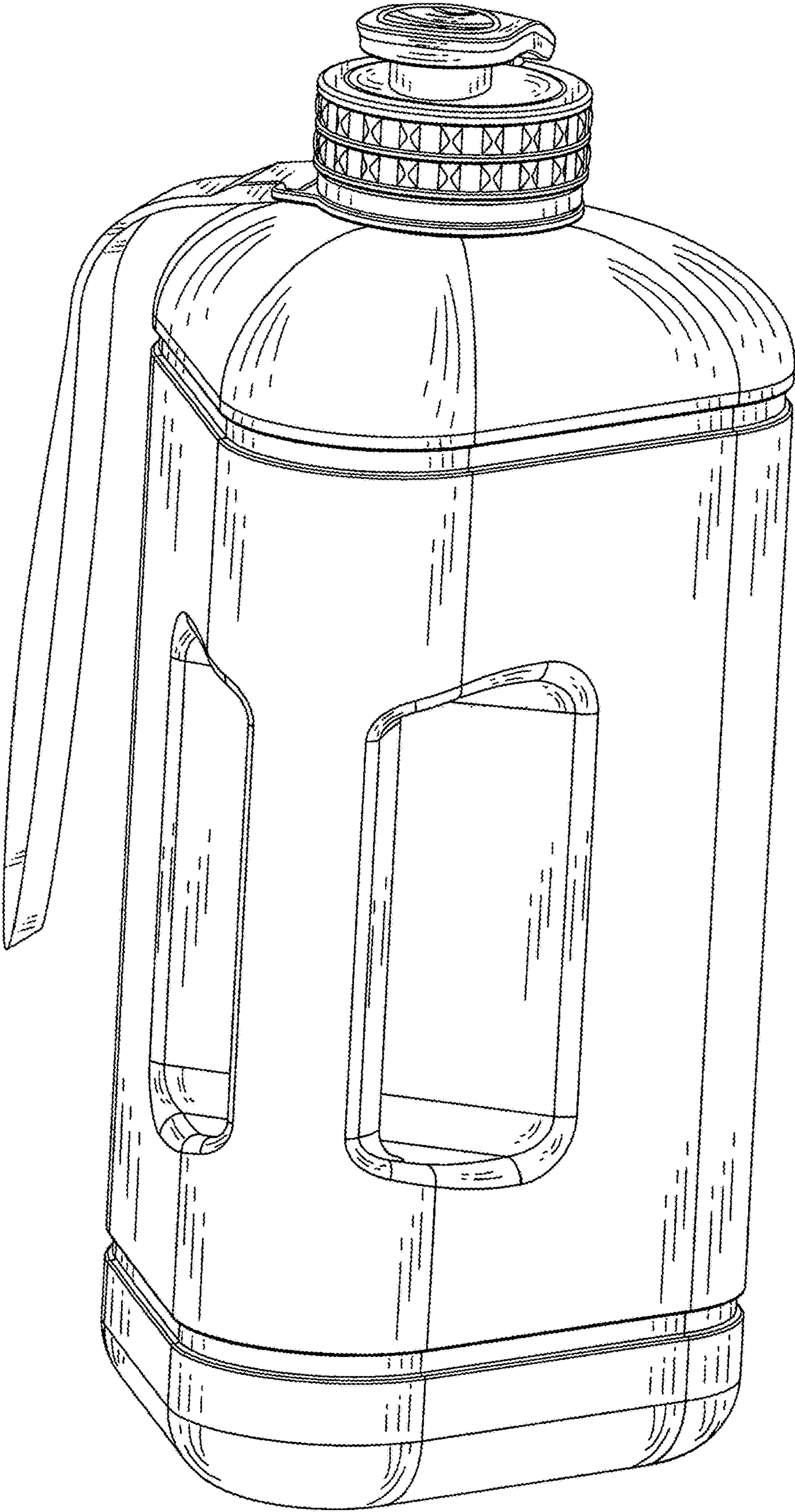


FIG. 1

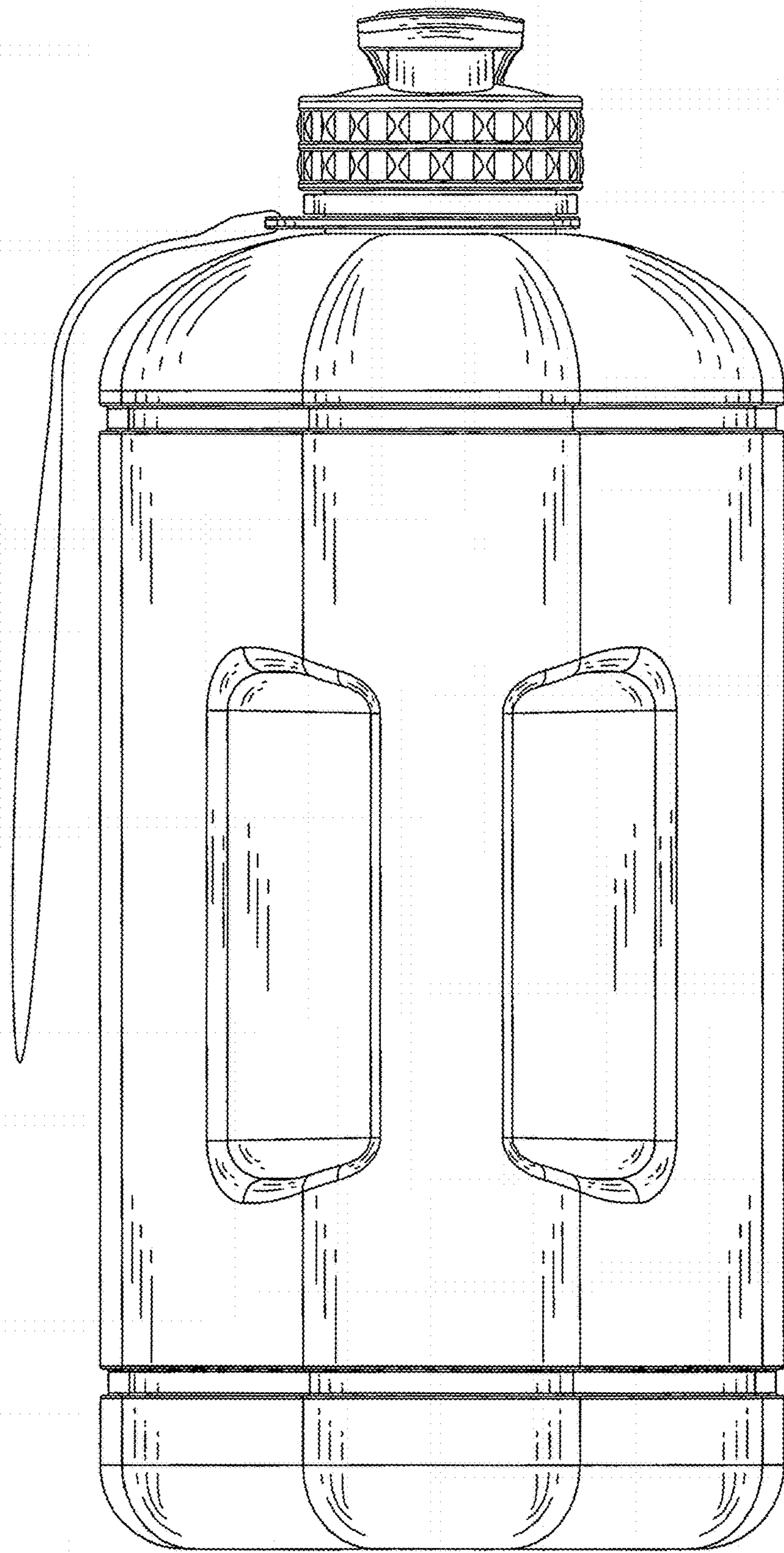


FIG. 2

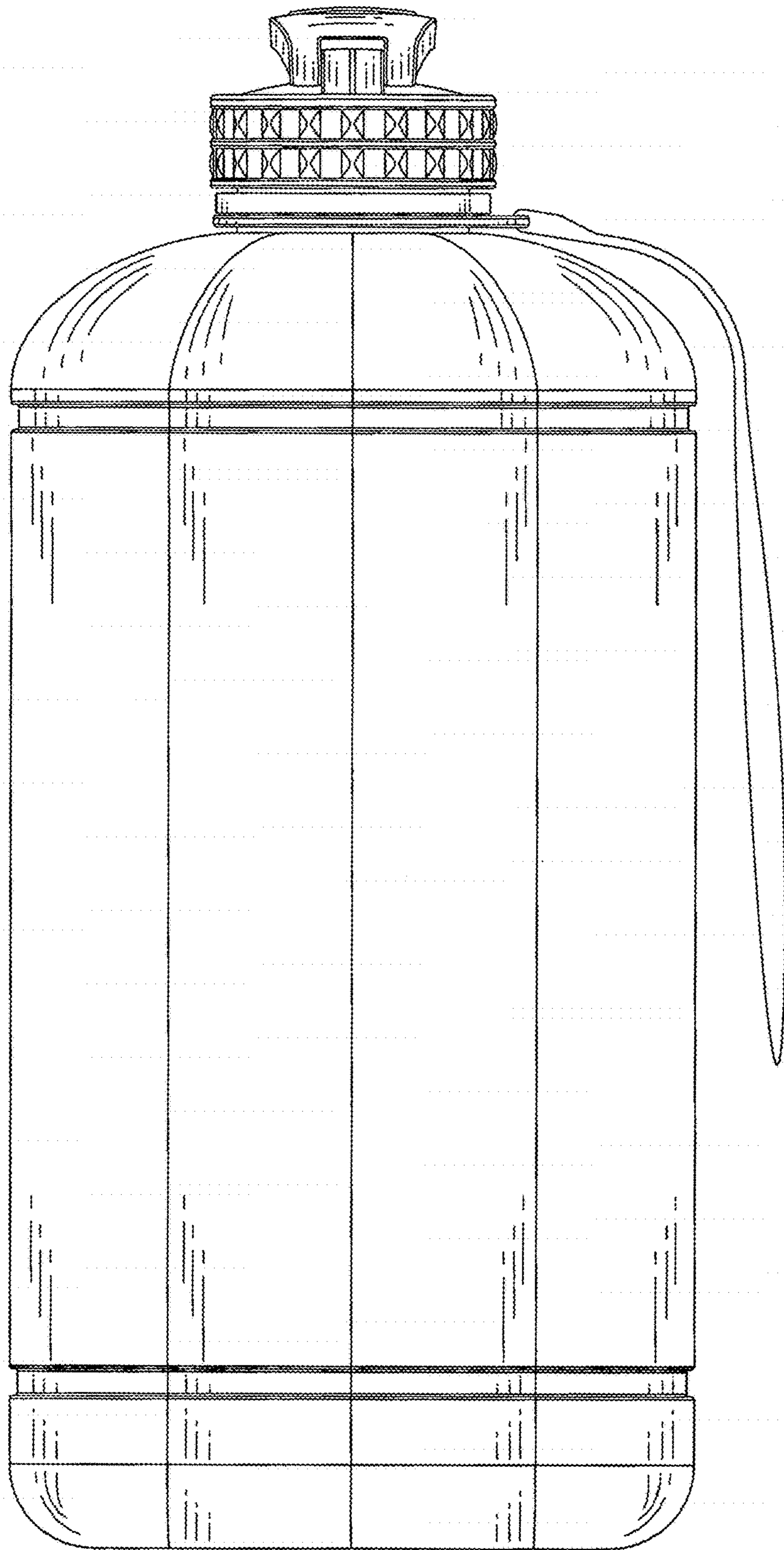


FIG. 3

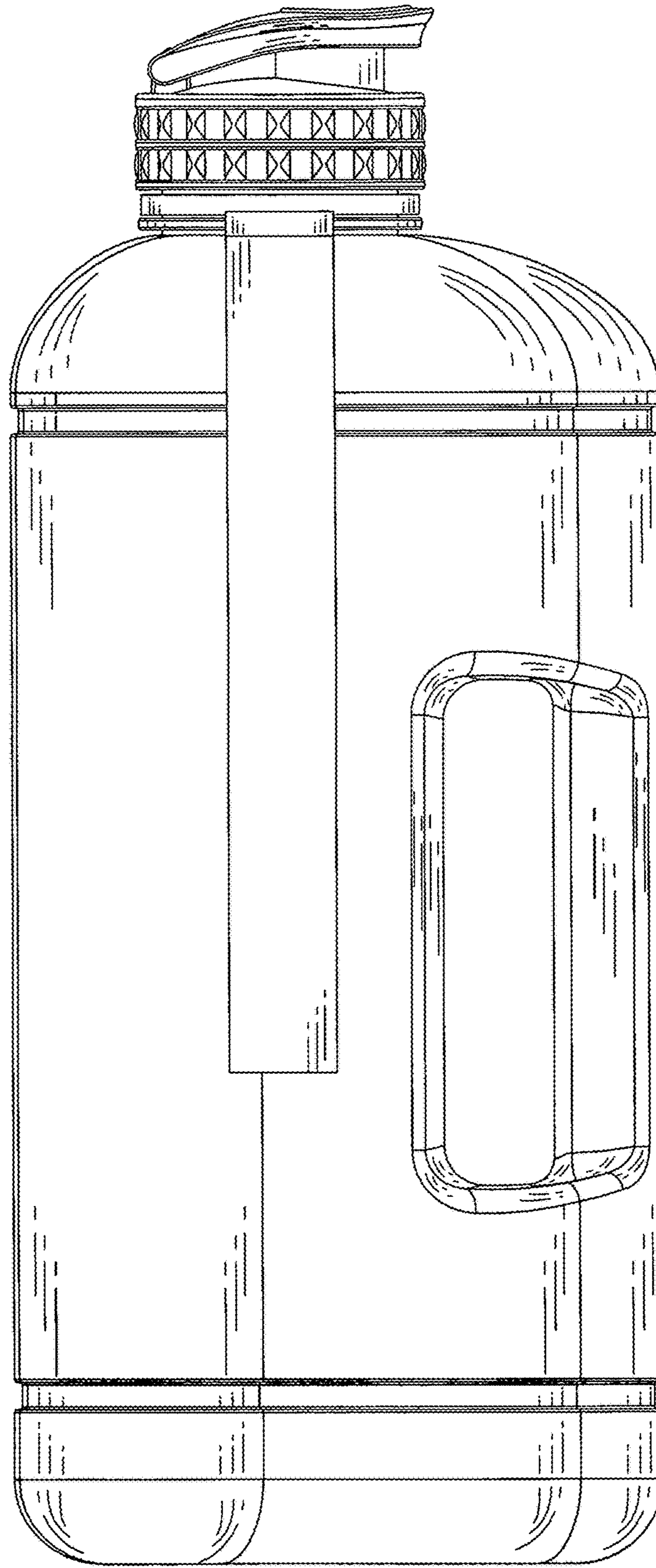


FIG. 4

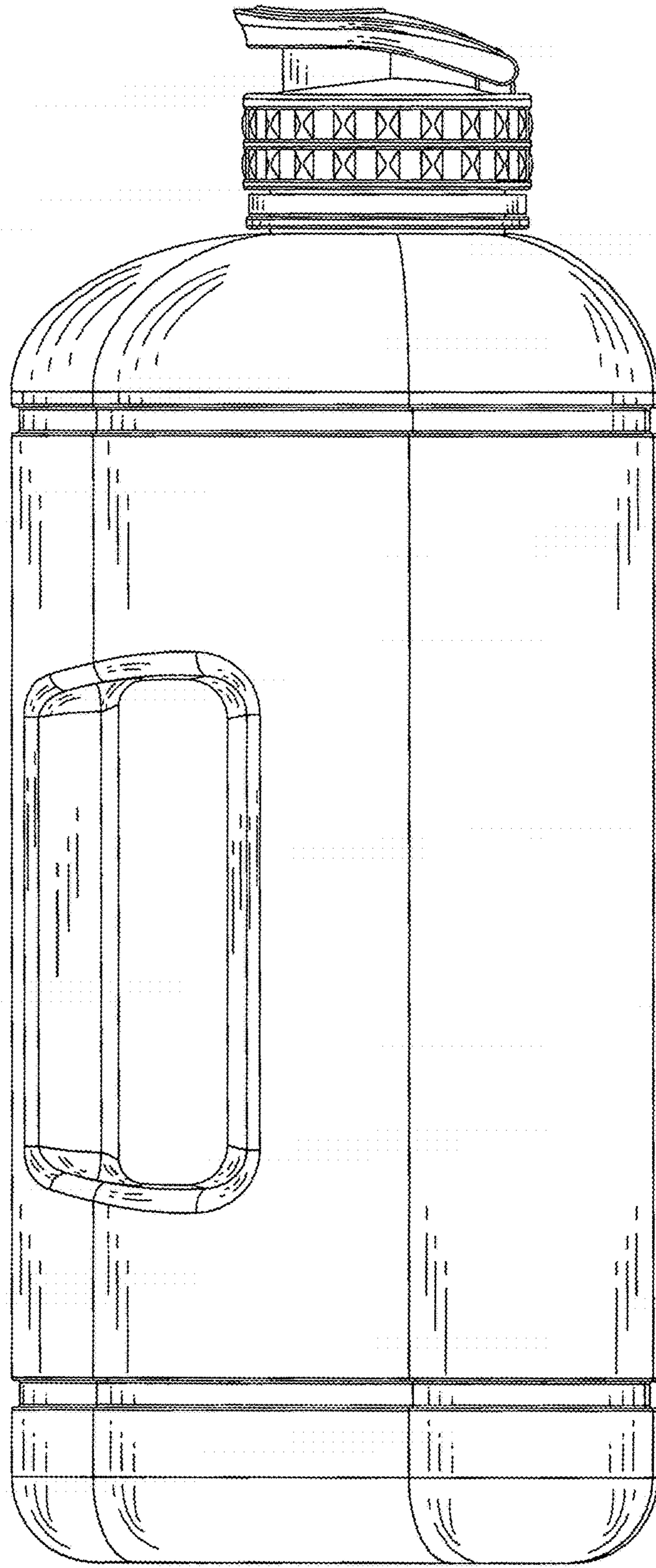


FIG. 5

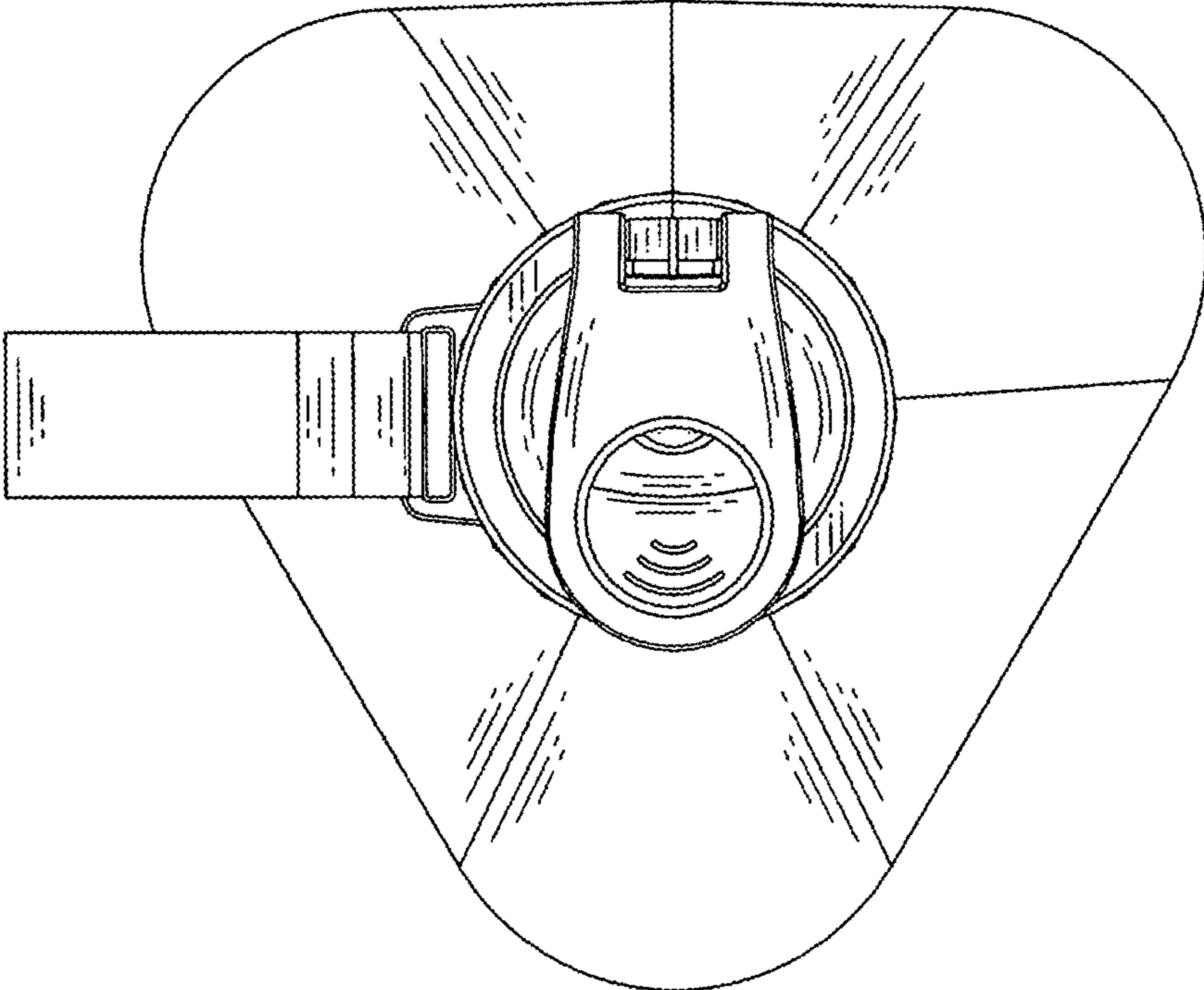


FIG. 6

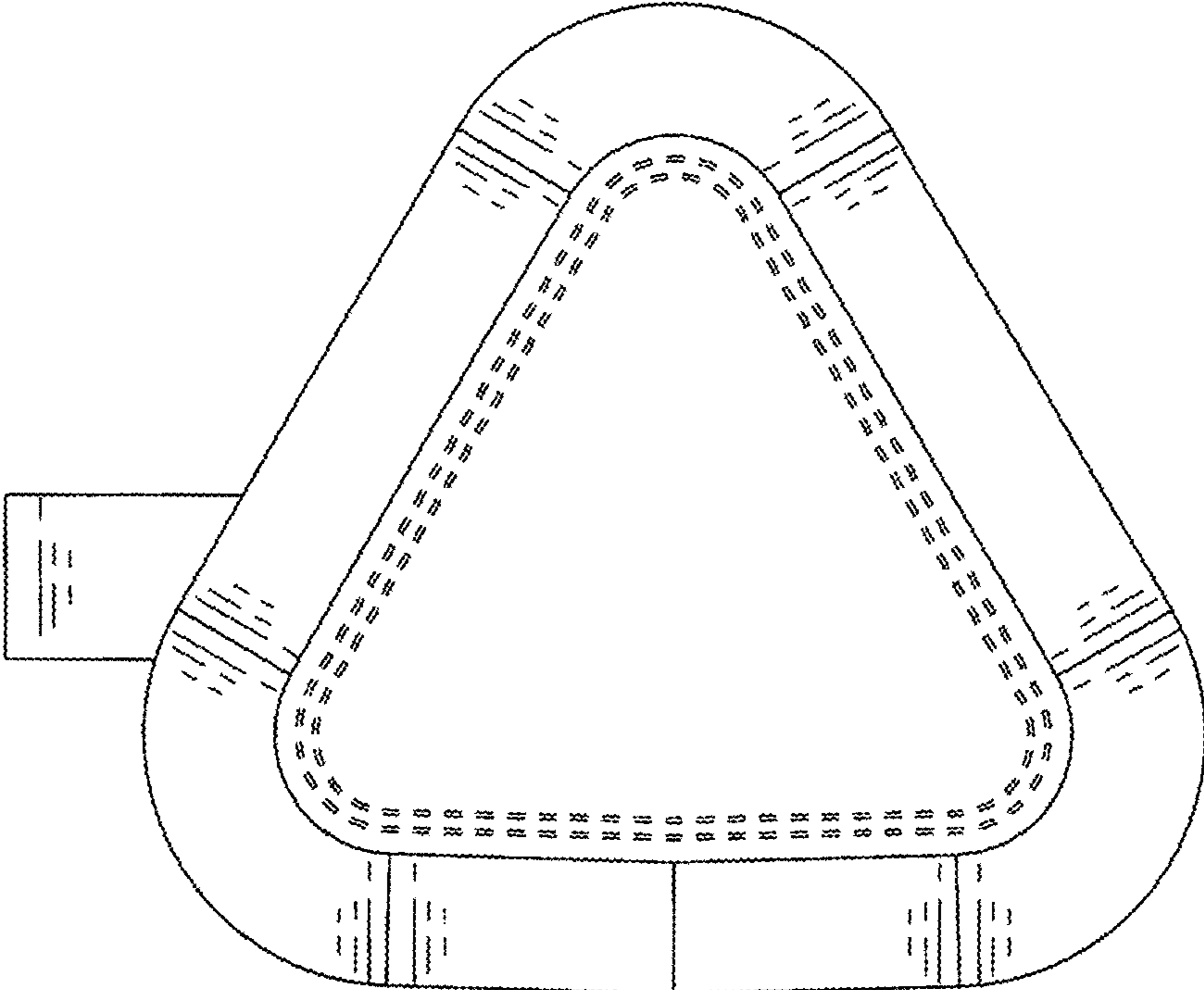


FIG. 7