



US00D933422S

(12) **United States Design Patent** (10) **Patent No.:** **US D933,422 S**
Noall et al. (45) **Date of Patent:** **** Oct. 19, 2021**

(54) **HYDRATION CARTRIDGE**
(71) Applicant: **Infuze, LLC**, Wellsville, UT (US)
(72) Inventors: **Daniel Noall**, Wellsville, UT (US);
Nathan Erickson, Beaverdam, UT (US)
(73) Assignee: **Infuze, LLC**, Wellsville, UT (US)
(**) Term: **15 Years**
(21) Appl. No.: **29/682,927**
(22) Filed: **Mar. 8, 2019**

Related U.S. Application Data

(63) Continuation-in-part of application No. 16/162,371,
filed on Oct. 16, 2018.
(51) **LOC (13) Cl.** **31-00**
(52) **U.S. Cl.**
USPC **D7/412**
(58) **Field of Classification Search**
USPC D7/372, 376–386, 412–413, 602, 629,
D7/665–666, 669, 679, 693–694;
D24/121
CPC A21C 1/02; A21C 1/04; A23N 1/00; A23N
1/02; A47J 31/005; A47J 41/0072; A47J
43/04; A47J 43/25; A47J 43/27; A47J
43/042; A47J 43/044; A47J 43/046; A47J
43/075; A47J 43/0722; A47J 43/0727;
A61M 5/31593; B01D 39/14; B01F 3/00;
B01F 3/0807; B01F 3/0853; B01F
13/0059; B01F 13/0064; B02C 1/08;
B02C 2/04; B02C 4/42; B02C 4/142;
B02C 4/143; B02C 4/423; B02C 13/1835;
B28C 5/10; B28C 5/12; B28C 5/14;
B28C 5/16; B65D 21/0233; C02F 1/003
See application file for complete search history.

(56) **References Cited**
U.S. PATENT DOCUMENTS
3,347,403 A * 10/1967 Lehrman A47J 41/0072
220/23.87
8,541,039 B2 * 9/2013 Lackey C02F 1/003
426/394
9,387,151 B2 * 7/2016 Davidian A61M 5/31593
9,498,086 B2 11/2016 Waggoner et al.
D774,182 S * 12/2016 Davidian D24/121
9,795,242 B2 10/2017 Waggoner et al.
2014/0230659 A1 * 8/2014 Waggoner A47J 31/005
99/323
2016/0251234 A1 * 9/2016 Hayslett B01D 39/14
210/244
2017/0361984 A1 * 12/2017 Fouad B65D 21/0233
* cited by examiner

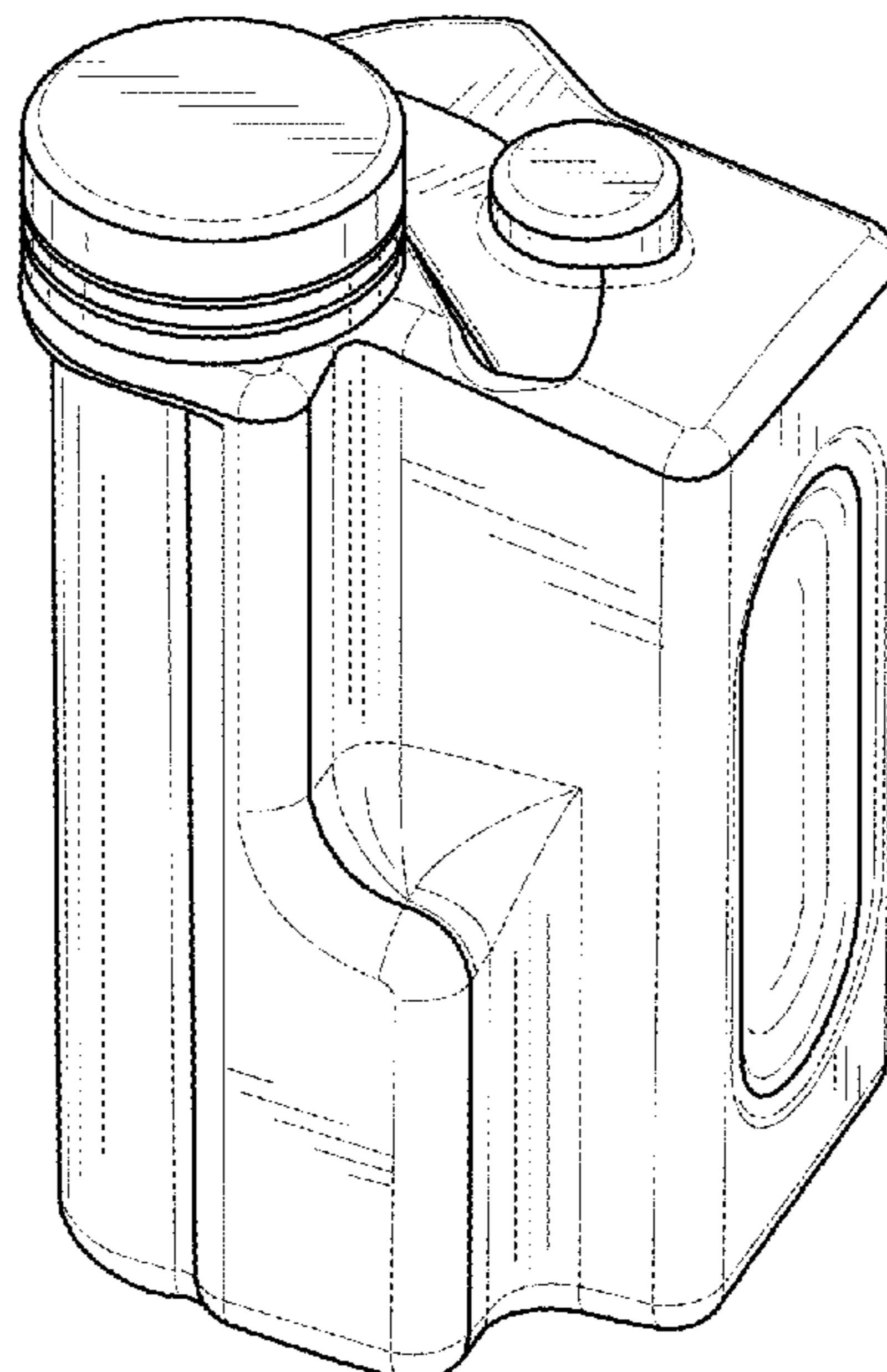
Primary Examiner — Ricky Pham
(74) *Attorney, Agent, or Firm* — Dentons Durham Jones
Pinegar

(57) **CLAIM**
The ornamental design for a hydration cartridge, as shown
and described.

DESCRIPTION

FIG. 1 is a perspective view of a hydration cartridge,
showing the design;
FIG. 2 is a side view of a first side of the hydration
cartridge of FIG. 1;
FIG. 3 is a side view of a second side of the hydration
cartridge of FIG. 1;
FIG. 4 is a front view of the hydration cartridge of FIG. 1;
FIG. 5 is a back view of the hydration cartridge of FIG. 1;
FIG. 6 is a top view of the hydration cartridge of FIG. 1; and,
FIG. 7 is a bottom view of the hydration cartridge of FIG.
1.

1 Claim, 2 Drawing Sheets



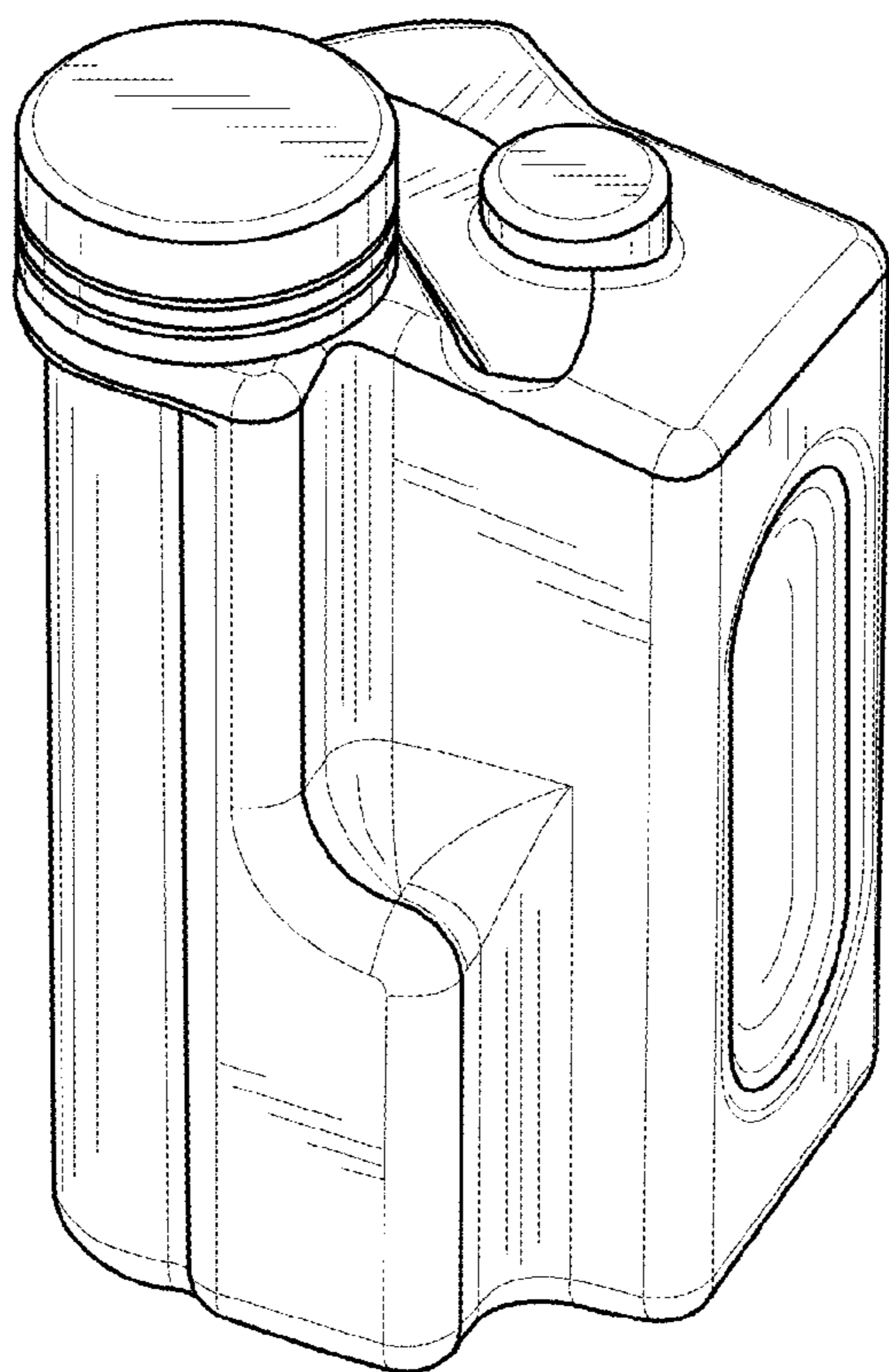


FIG. 1

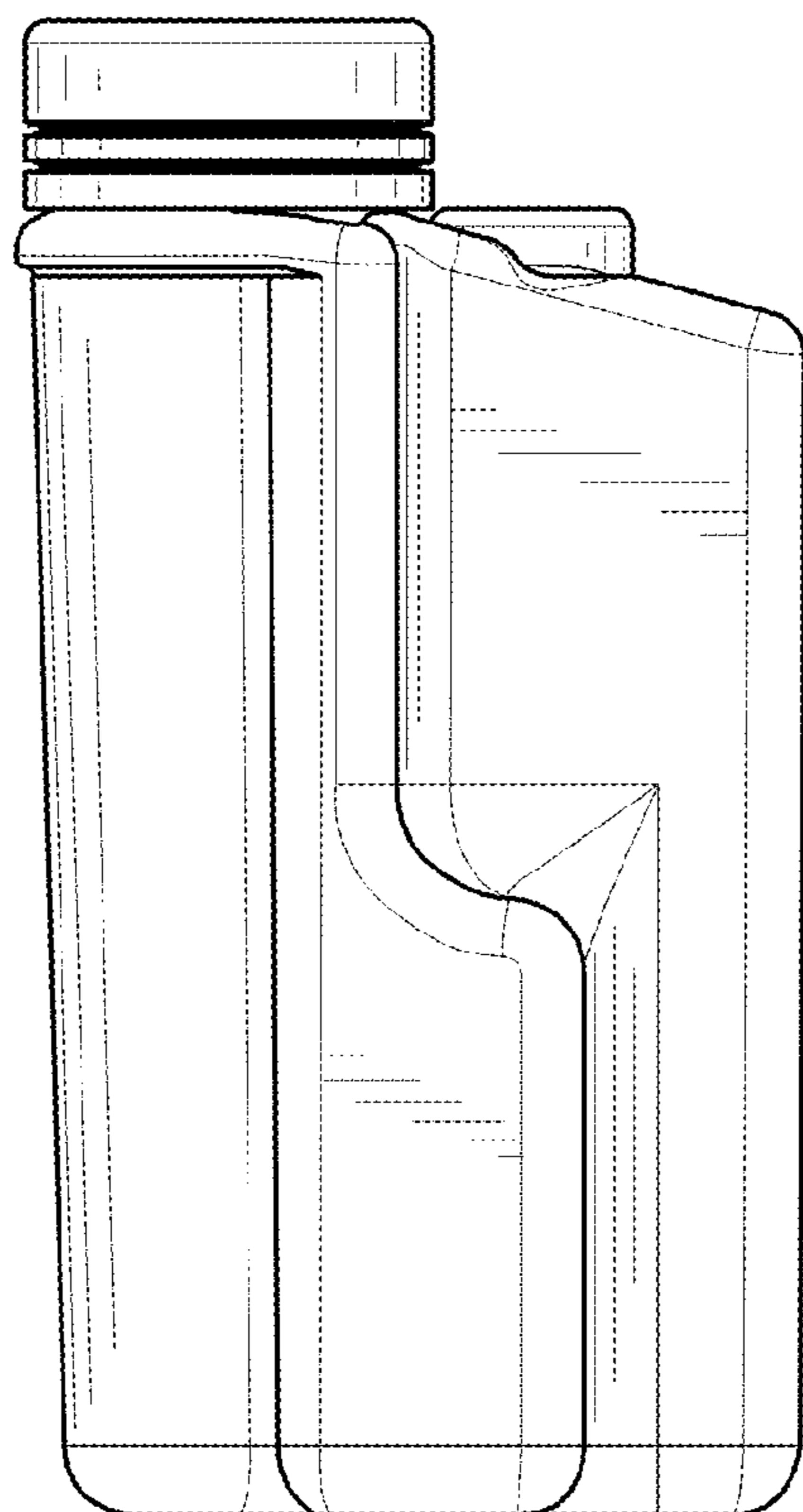


FIG. 2

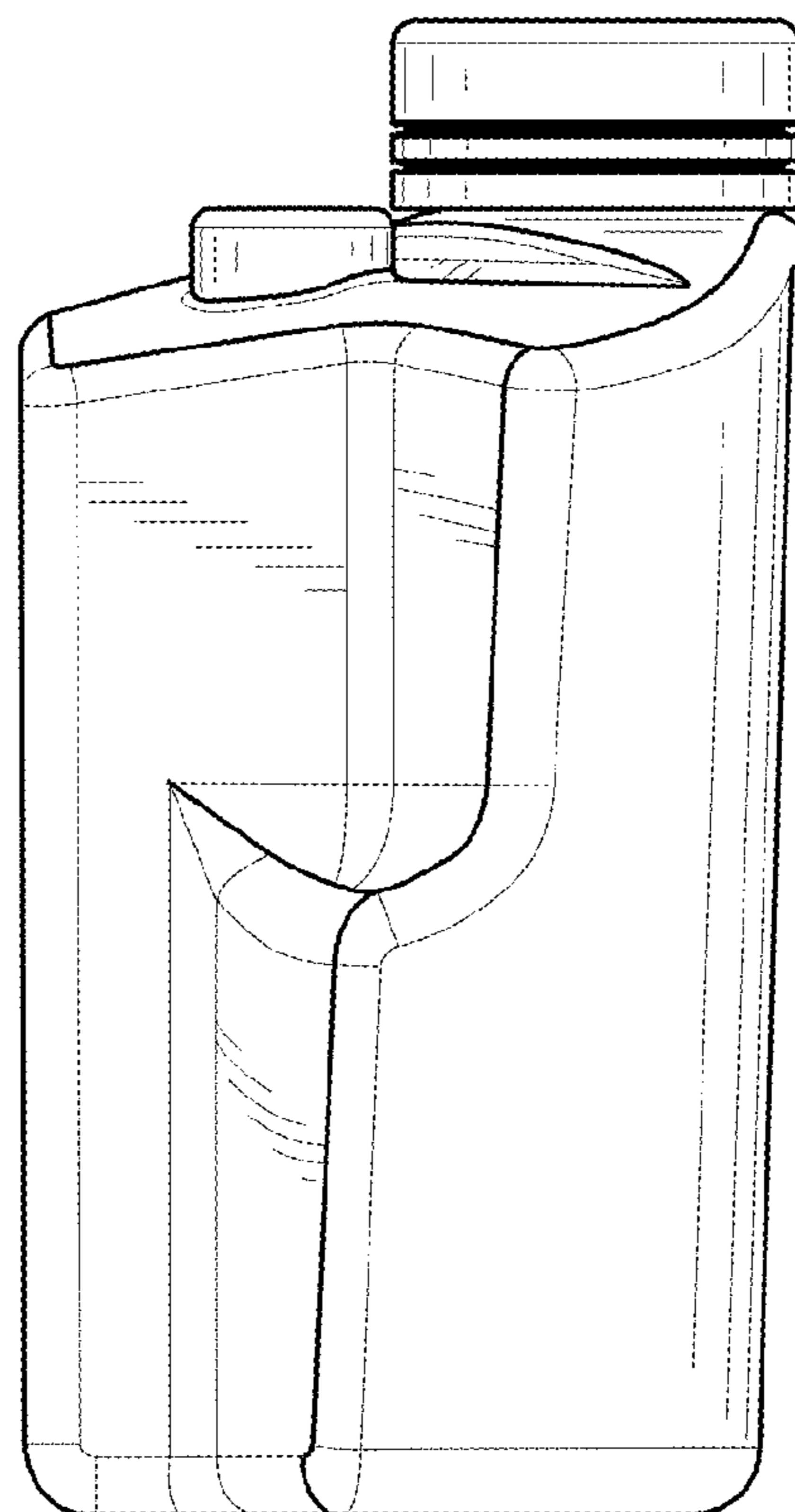


FIG. 3

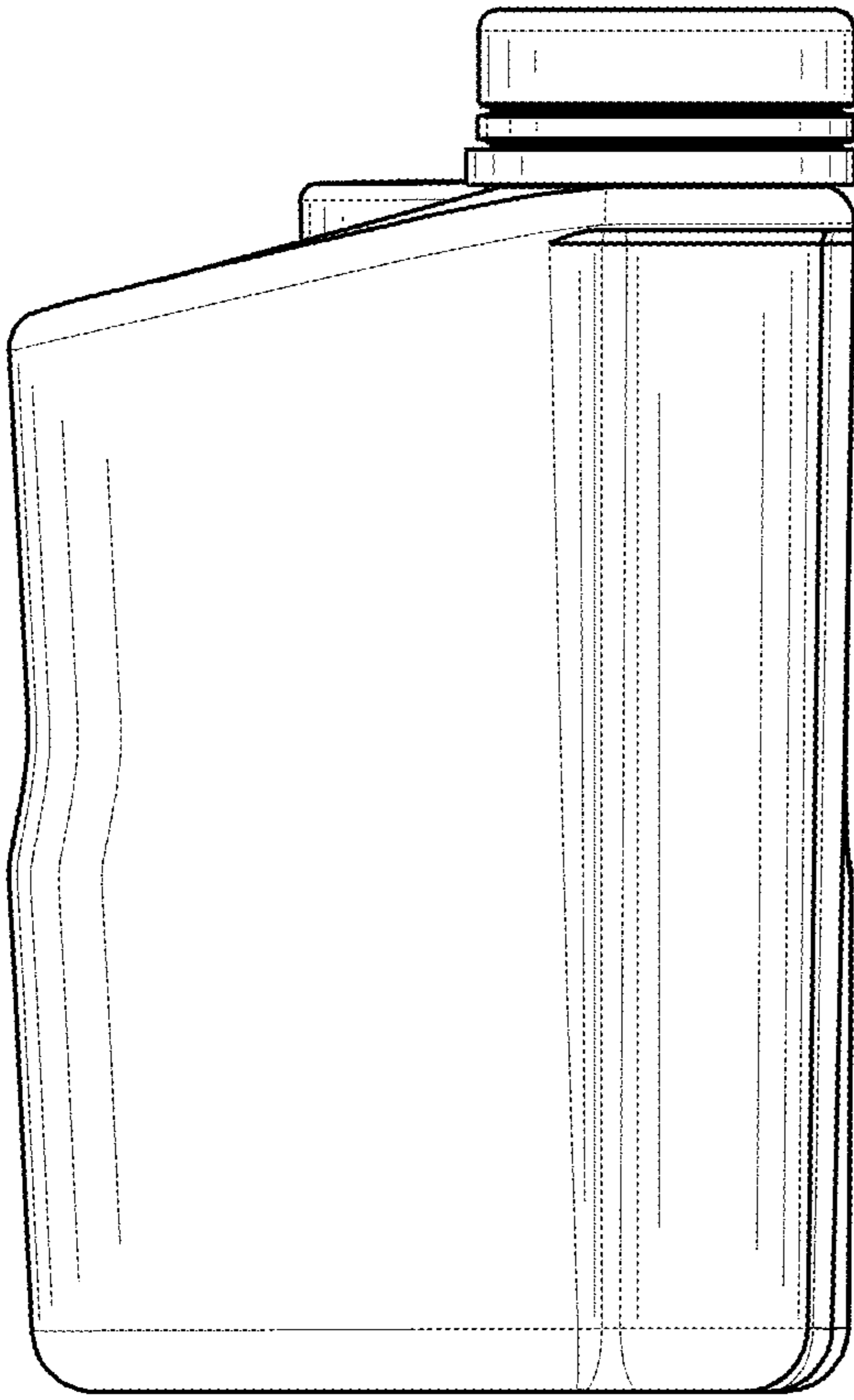


FIG. 4

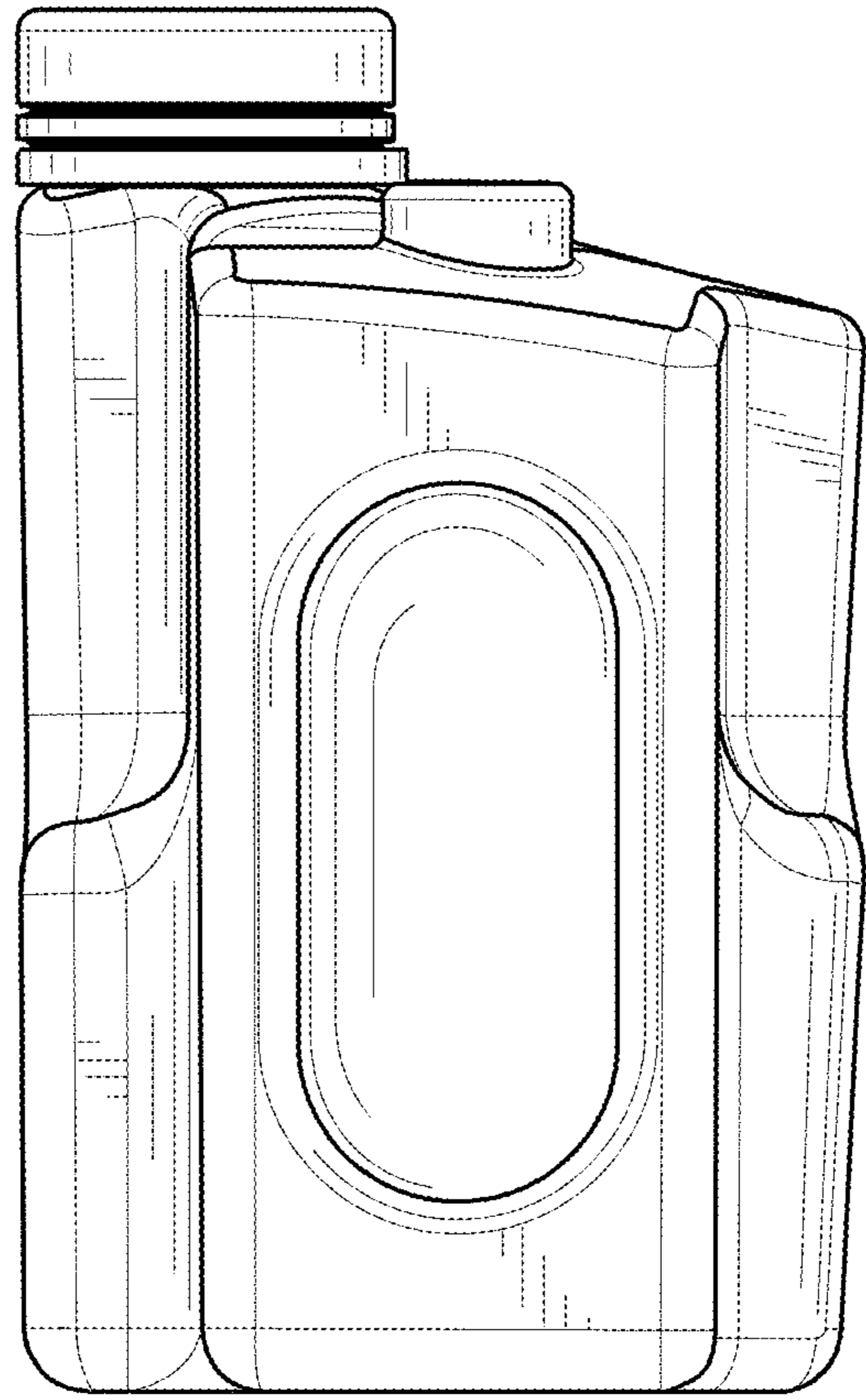


FIG. 5

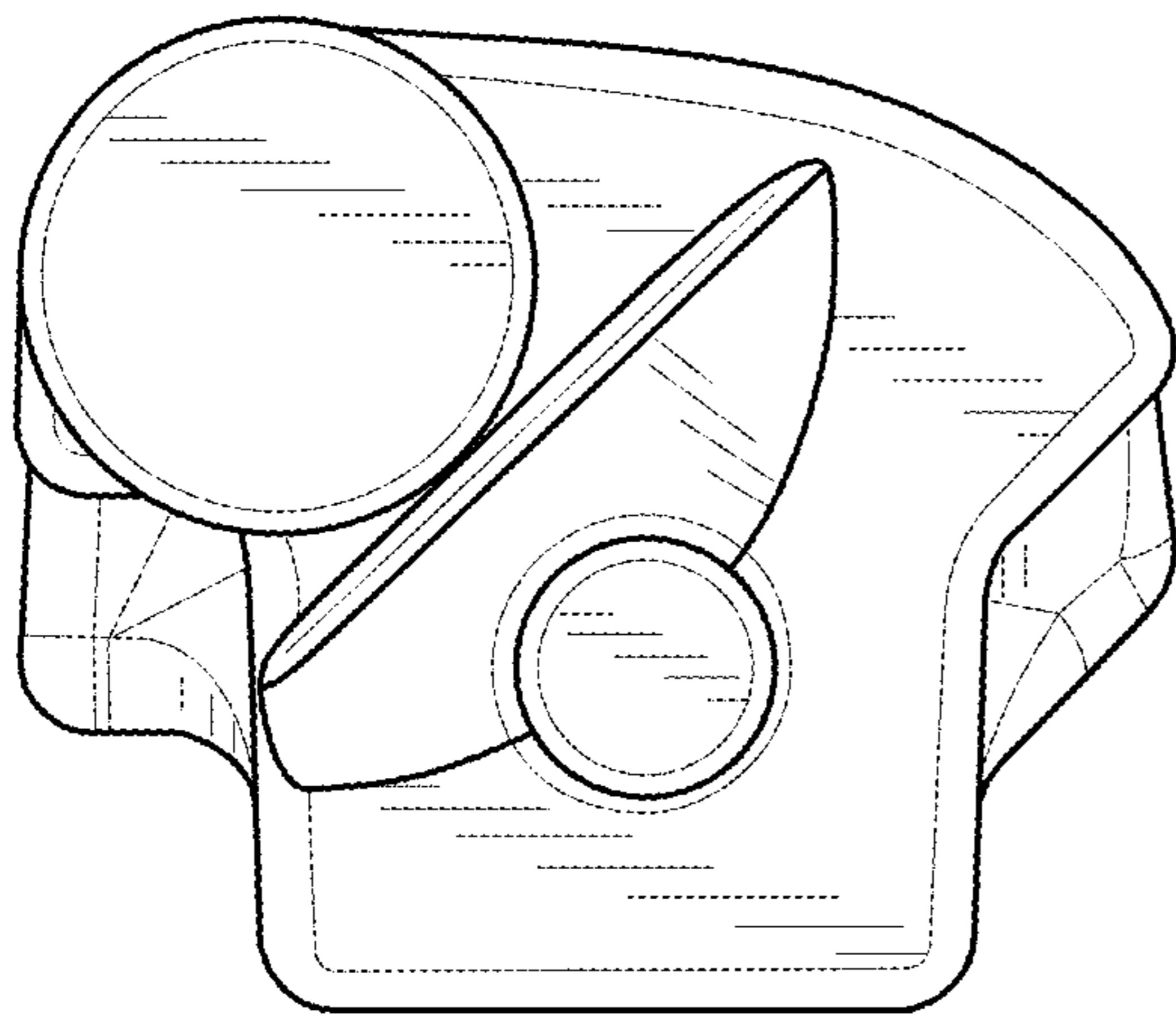


FIG. 6

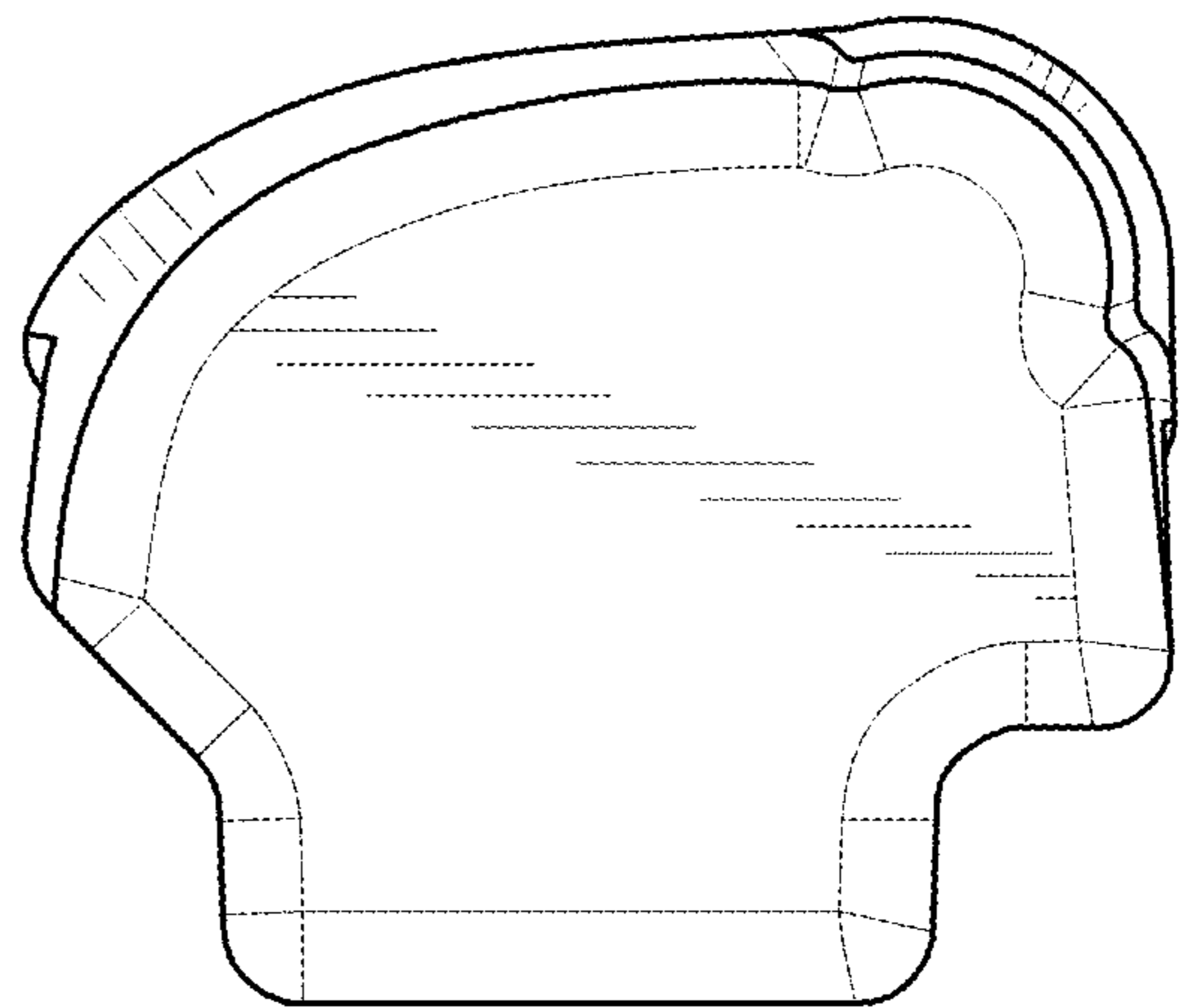


FIG. 7