



US00D933420S

(12) **United States Design Patent** (10) **Patent No.:** **US D933,420 S**
Koury et al. (45) **Date of Patent:** **** Oct. 19, 2021**

- (54) **CONTAINER** 5,900,143 A * 5/1999 Dalton C02F 1/78
210/192
- (71) Applicant: **Keurig Green Mountain, Inc.,** D508,825 S * 8/2005 Kim D10/46.2
Burlington, MA (US) 7,377,162 B2 5/2008 Lazaris
- (72) Inventors: **Steffen F. Koury**, Nahant, MA (US); D576,250 S 9/2008 Born et al.
Paul K. Metaxatos, Swampscott, MA 7,513,278 B2 4/2009 Hengesperger et al.
(US); **Benjamin Hines**, Cranston, RI 8,043,502 B2 * 10/2011 Nauta C02F 1/003
(US); **Brent Boswell**, Melrose, MA 210/232
(US); **Benjamin Worth Coble**,
Winston-Salem, NC (US) D708,887 S 7/2014 Duran et al.
D745,804 S 12/2015 Baacke et al.
D775,711 S 1/2017 Poindexter et al.
D817,713 S 5/2018 Lin
D828,069 S 9/2018 Bell et al.
D833,795 S 11/2018 Bell et al.
D836,963 S * 1/2019 Jeon D7/318
- (73) Assignee: **Keurig Green Mountain, Inc.,**
Burlington, MA (US)

(Continued)

(**) Term: **15 Years**

Primary Examiner — Susan E Krakower
Assistant Examiner — Andrew Kerr
(74) *Attorney, Agent, or Firm* — Wolf, Greenfield & Sacks, P.C.

(21) Appl. No.: **29/730,684**

(22) Filed: **Apr. 7, 2020**

Related U.S. Application Data

(62) Division of application No. 29/641,165, filed on Mar. 20, 2018, now Pat. No. Des. 883,739.

(51) **LOC (13) Cl.** **07-99**

(52) **U.S. Cl.**
USPC **D7/397; D7/602**

(58) **Field of Classification Search**
USPC D7/300, 302, 303, 305, 397, 399,
D7/316–319, 600, 602, 619.1; D9/516,
D9/523, 524, 527, 528; D23/212, 386
CPC A47J 27/21058; A47J 31/40; A47J 31/41;
A47G 19/12; A47G 19/14; A47G 19/145;
B01D 35/02; B65D 47/06
See application file for complete search history.

(56) **References Cited**

U.S. PATENT DOCUMENTS

- 1,961,181 A * 6/1934 Von Der Heydt A45C 11/22
220/326
- D388,655 S 1/1998 Flom et al.

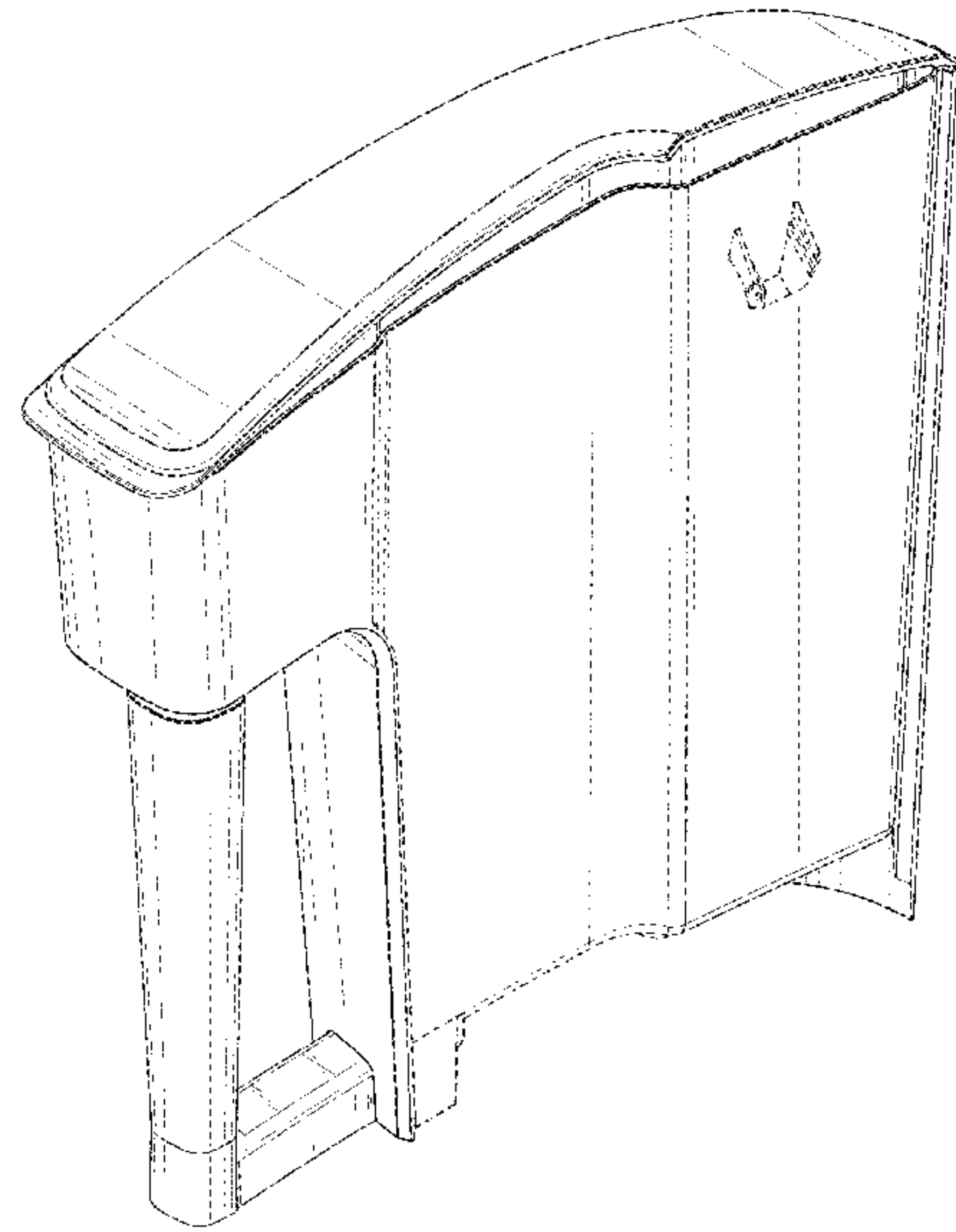
(57) **CLAIM**

The ornamental design for a container, as shown and described.

DESCRIPTION

FIG. 1 is a top, front, right side perspective view of a container showing our new design; FIG. 2 is a front elevation view thereof; FIG. 3 is a rear elevation view thereof; FIG. 4 is a right side elevation view thereof; FIG. 5 is a left side elevation view thereof; FIG. 6 is a top plan view thereof; and, FIG. 7 is a bottom plan view thereof. The short dash-long dash broken lines represent boundaries of the claim and form no part of the claimed design. The dash-dash broken lines illustrate portions of the beverage machine that form no part of the claimed design.

1 Claim, 7 Drawing Sheets



(56)

References Cited

U.S. PATENT DOCUMENTS

10,556,808	B2 *	2/2020	Gilbert	B01D 35/02
D883,739	S	5/2020	Koury et al.	
2002/0125187	A1 *	9/2002	Tanner	C02F 1/003 210/418
2006/0231476	A1 *	10/2006	Vandenbelt	C02F 1/003 210/266
2014/0124429	A1 *	5/2014	Rinaldis	C02F 1/003 210/282
2014/0332478	A1 *	11/2014	Gilbert, Jr.	C02F 1/003 210/808

* cited by examiner

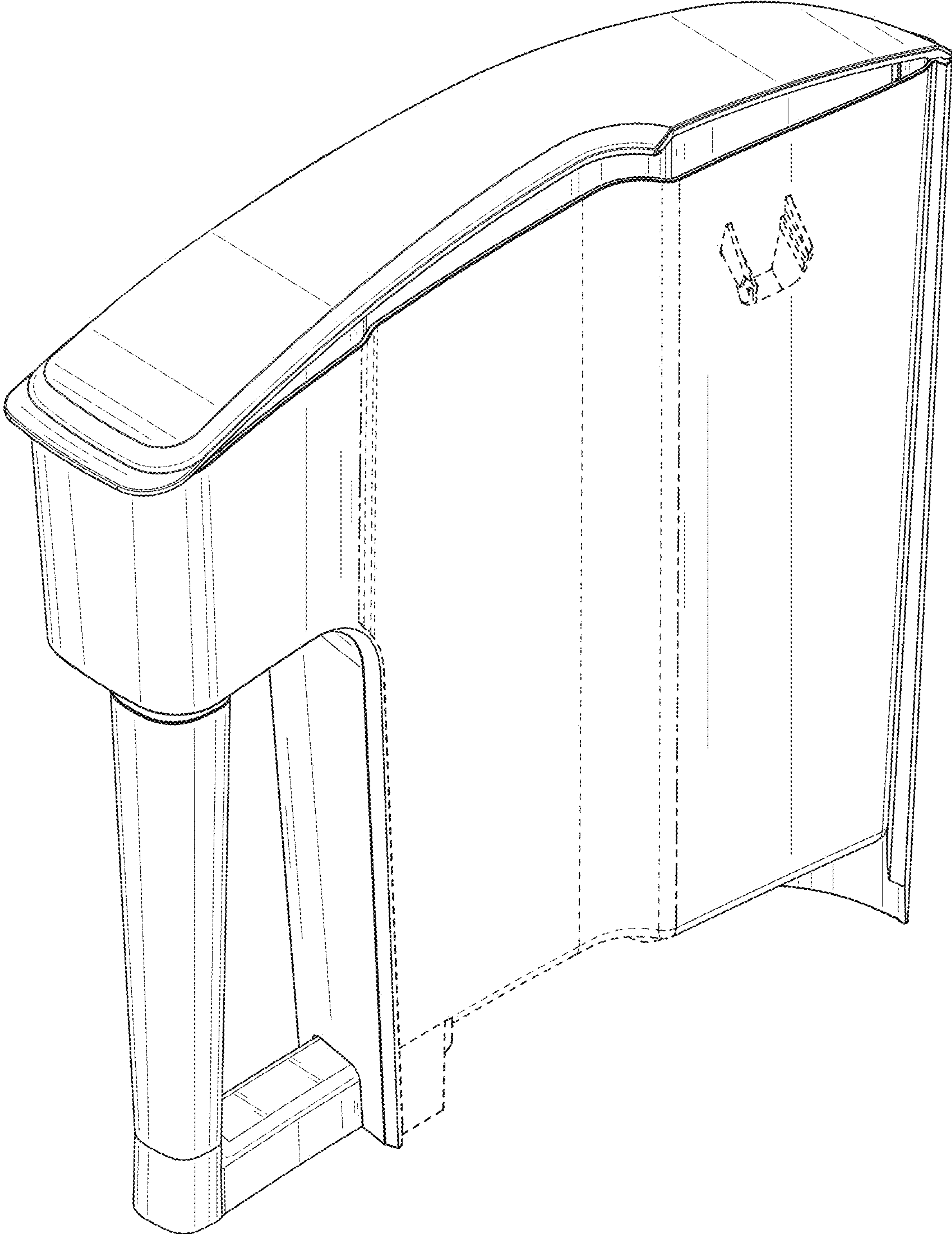


FIG. 1

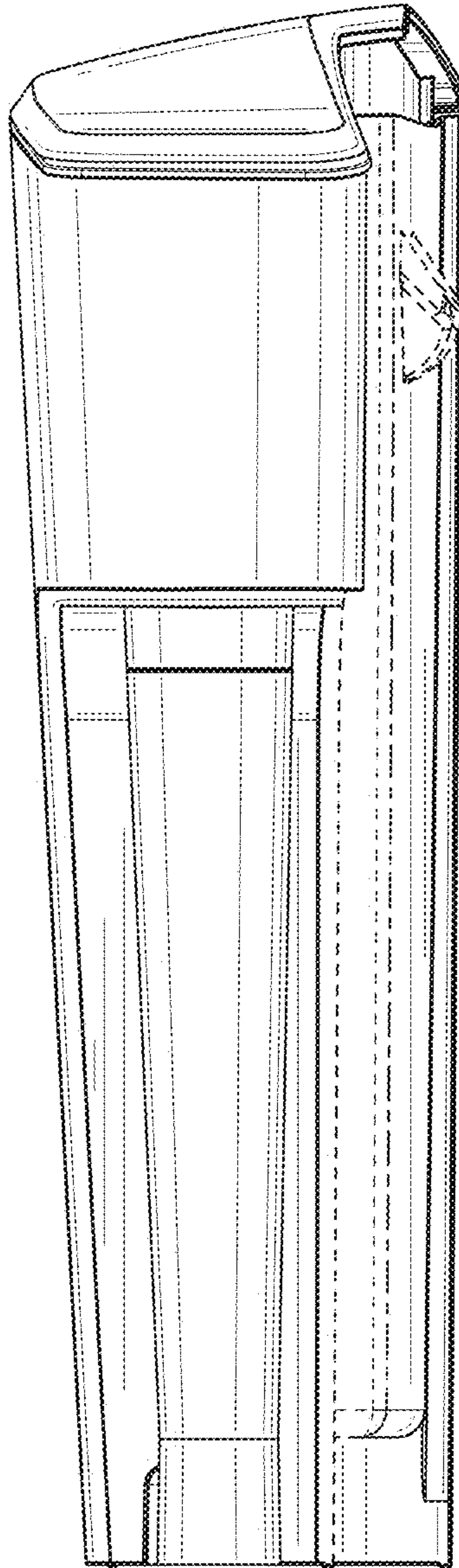


FIG. 2

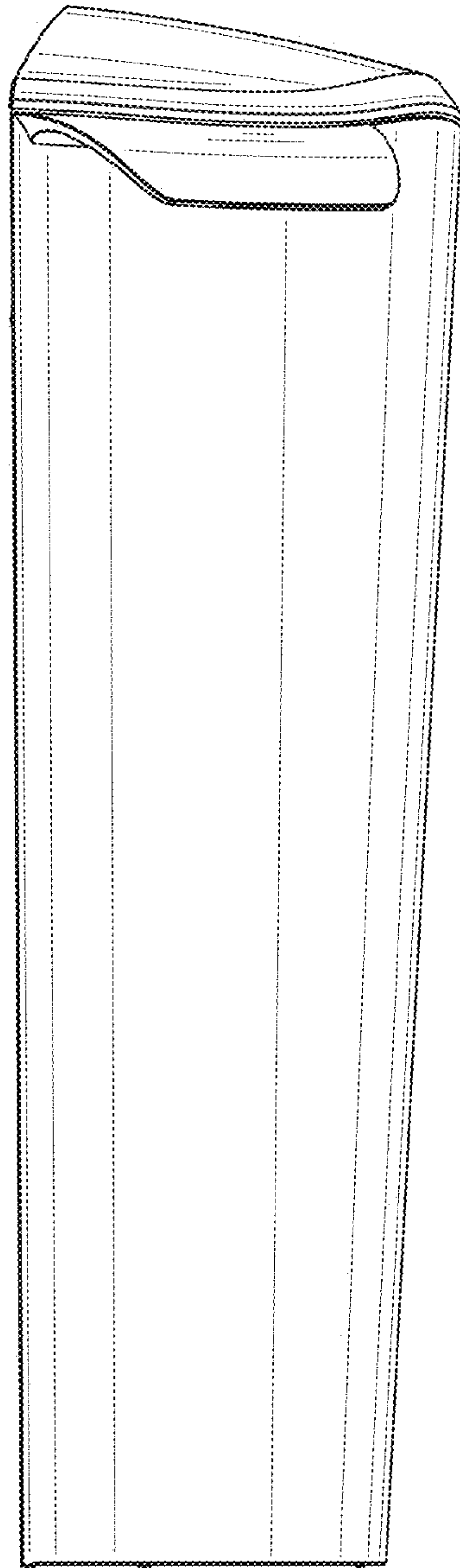


FIG. 3

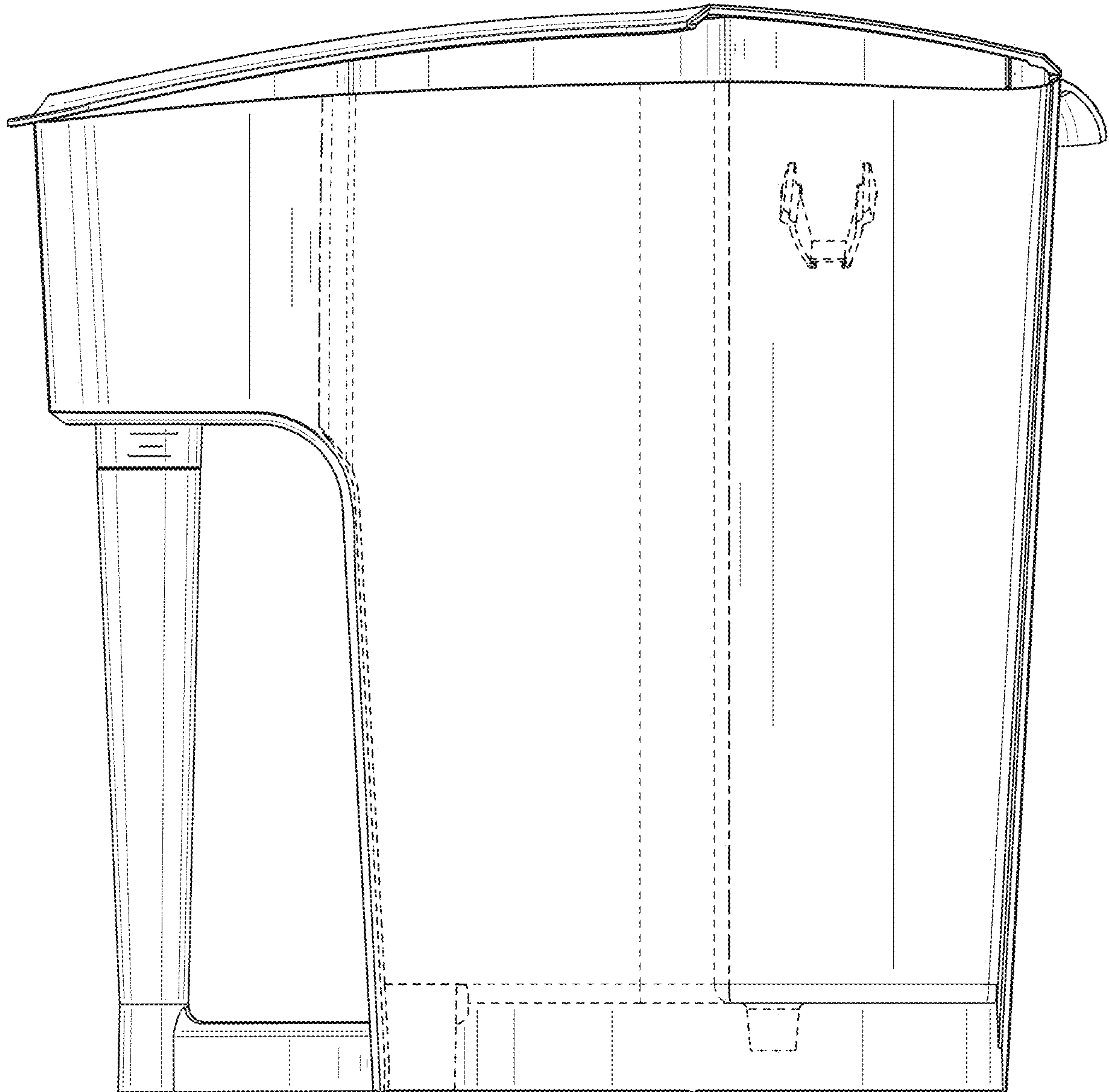


FIG. 4

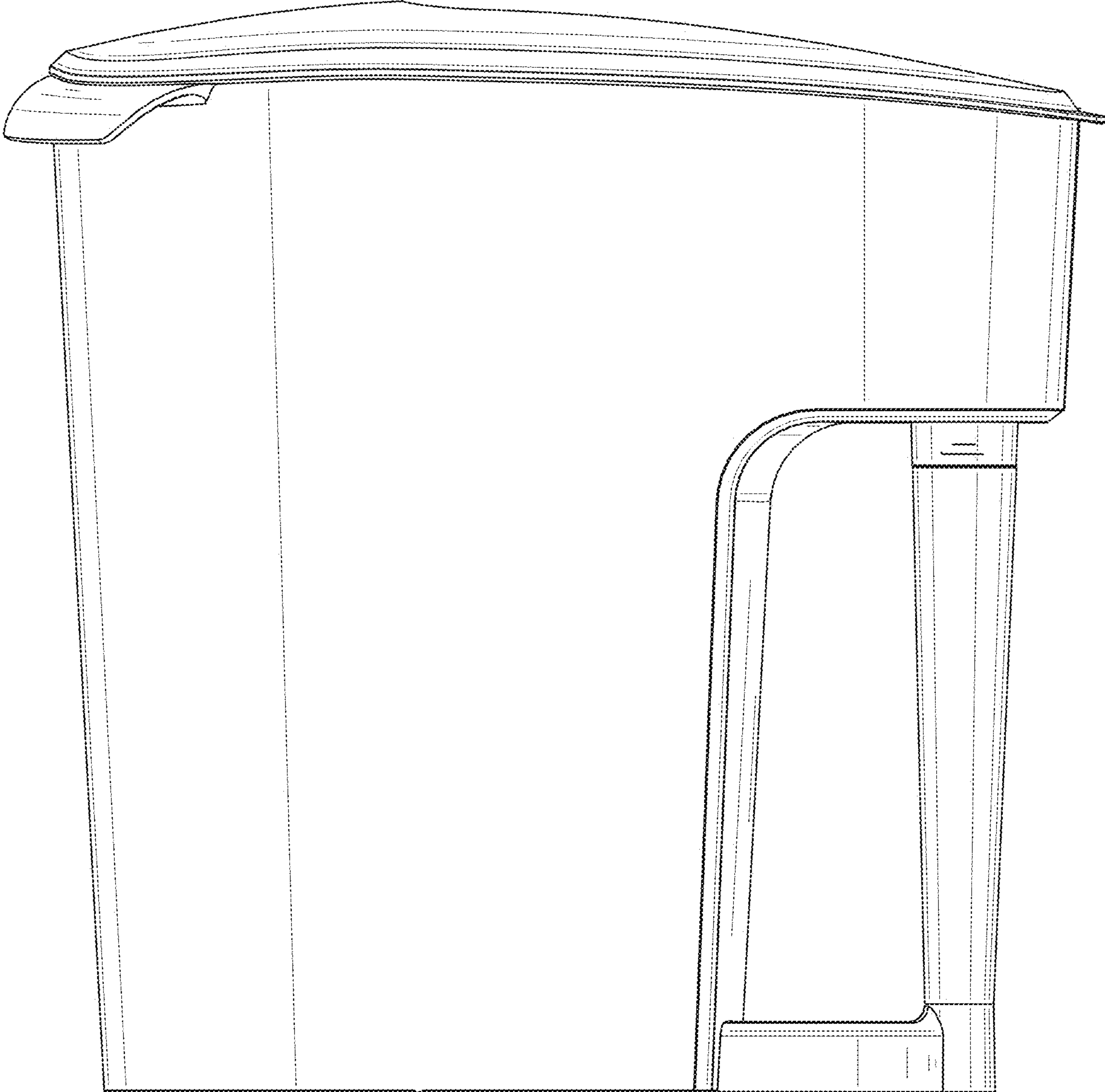


FIG. 5

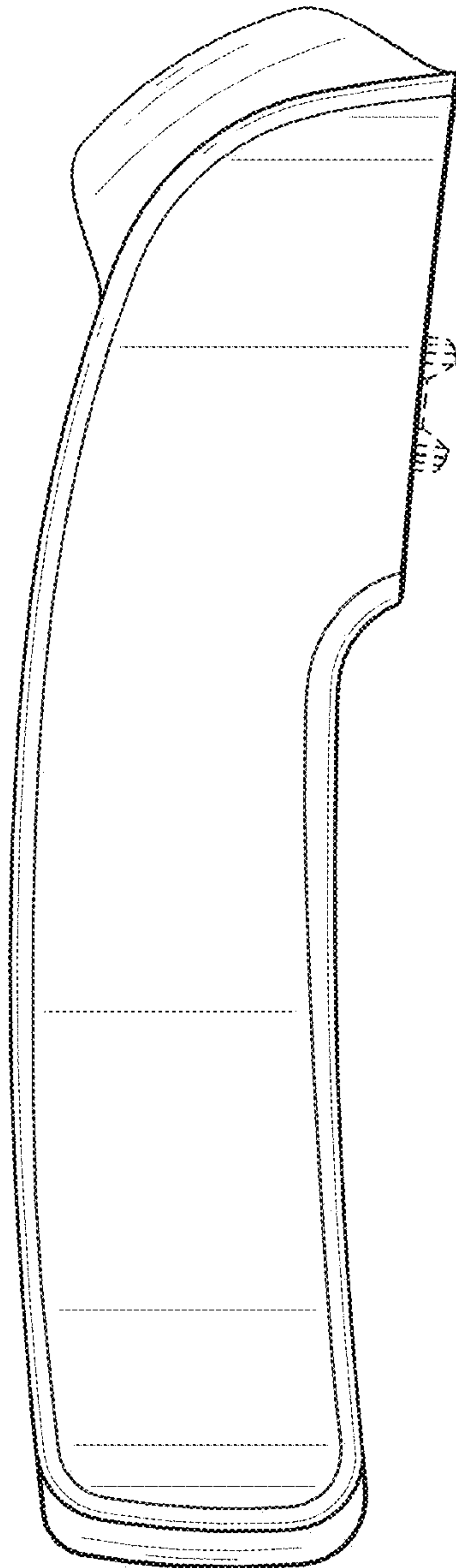


FIG. 6

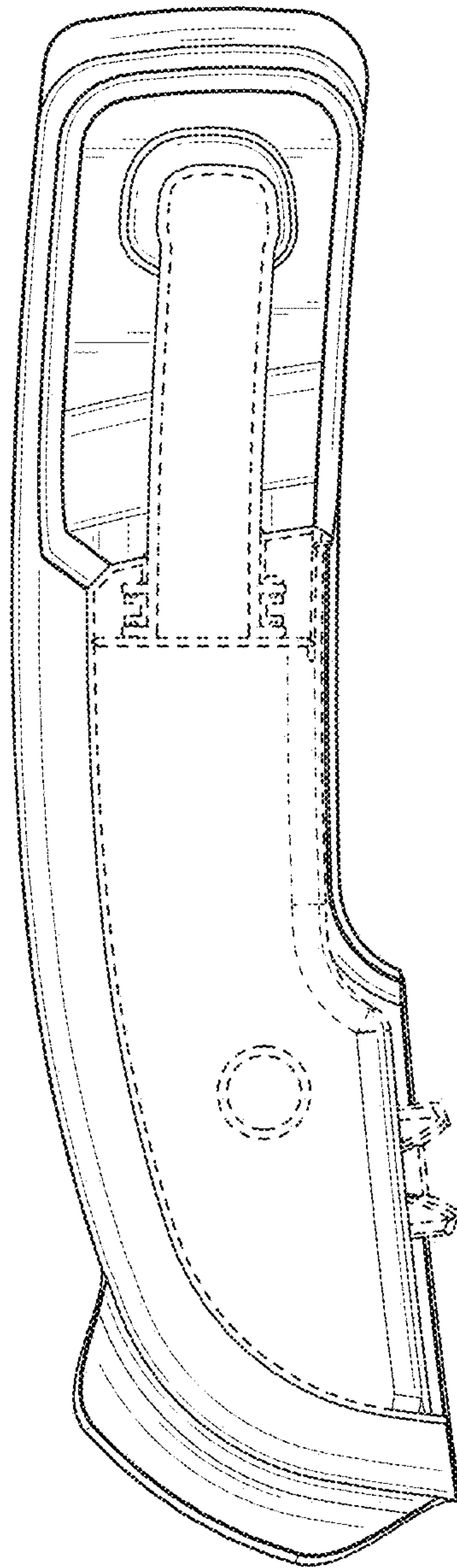


FIG. 7