



US00D933419S

(12) **United States Design Patent** (10) **Patent No.:** **US D933,419 S**
Wolfgram (45) **Date of Patent:** **** Oct. 19, 2021**

(54) **COMBINED FIRE AXE DEVICE AND DRINKING VESSEL SURFACE**

(71) Applicant: **BenShot, LLC**, Appleton, WI (US)

(72) Inventor: **Ben Wolfgram**, Appleton, WI (US)

(73) Assignee: **BenShot, LLC**, Appleton, WI (US)

(**) Term: **15 Years**

(21) Appl. No.: **29/751,744**

(22) Filed: **Sep. 23, 2020**

(51) **LOC (13) Cl.** **07-01**

(52) **U.S. Cl.**
USPC **D7/396.2; D7/507; D7/514; D7/515**

(58) **Field of Classification Search**
USPC ... D7/300–303, 387, 396.1, 396.2, 397, 500,
D7/502, 505–507, 509–523, 529–545,
(Continued)

(56) **References Cited**

U.S. PATENT DOCUMENTS

D440,834 S * 4/2001 Khachatoorian D8/11
D518,343 S * 4/2006 Kelleghan D8/38
(Continued)

OTHER PUBLICATIONS

Fire Axe Glasses, BenShot, [online], [site visited Jul. 26, 2021],
Available from internet URL: <https://benshot.com/collections/fire-axe-glasses> (Year: 2021).*

Primary Examiner — Mary Ann Calabrese
Assistant Examiner — Natalya M Rapundalo

(57) **CLAIM**

The ornamental design for combined fire axe device and drinking vessel surface, as shown and described.

DESCRIPTION

FIG. 1 is a perspective view showing the combined fire axe device and drinking vessel surface embodying the new design;

FIG. 2 is a front elevation view thereof;
FIG. 3 is a rear elevation view thereof;
FIG. 4 is a left side elevation view thereof;
FIG. 5 is a right side elevation view thereof;
FIG. 6 is a top plan view thereof;
FIG. 7 is a bottom plan view thereof;
FIG. 8 is a perspective view showing a second embodiment of the combined fire axe device and drinking vessel surface;
FIG. 9 is a front elevation view thereof;
FIG. 10 is a rear elevation view thereof;
FIG. 11 is a left side elevation view thereof;
FIG. 12 is a right side elevation view thereof;
FIG. 13 is a top plan view thereof;
FIG. 14 is a bottom plan view thereof;
FIG. 15 is a perspective view showing a third embodiment of the combined fire axe device and drinking vessel surface;
FIG. 16 is a front elevation view thereof;
FIG. 17 is a rear elevation view thereof;
FIG. 18 is a right side elevation view thereof;
FIG. 19 is a left side elevation view thereof;
FIG. 20 is a top plan view thereof;
FIG. 21 is a bottom plan view thereof;
FIG. 22 is a perspective view showing a fourth embodiment of the combined fire axe device and drinking vessel surface;
FIG. 23 is a front elevation view thereof;
FIG. 24 is a rear elevation view thereof;
FIG. 25 is a left side elevation view thereof;
FIG. 26 is a right side elevation view thereof;
FIG. 27 is a top plan view thereof;
FIG. 28 is a bottom plan view thereof;
FIG. 29 is a perspective view showing a fifth embodiment of the combined fire axe device and drinking vessel surface;
FIG. 30 is a front elevation view thereof;
FIG. 31 is a rear elevation view thereof;
FIG. 32 is a left side elevation view thereof;
FIG. 33 is a right side elevation view thereof;
FIG. 34 is a top plan view thereof;
FIG. 35 is a bottom plan view thereof;
FIG. 36 is a perspective view showing a sixth embodiment of the combined fire axe device and drinking vessel surface;
FIG. 37 is a front elevation view thereof;
FIG. 38 is a rear elevation view thereof;
FIG. 39 is a right side elevation view thereof;
FIG. 40 is a left side elevation view thereof;

(Continued)

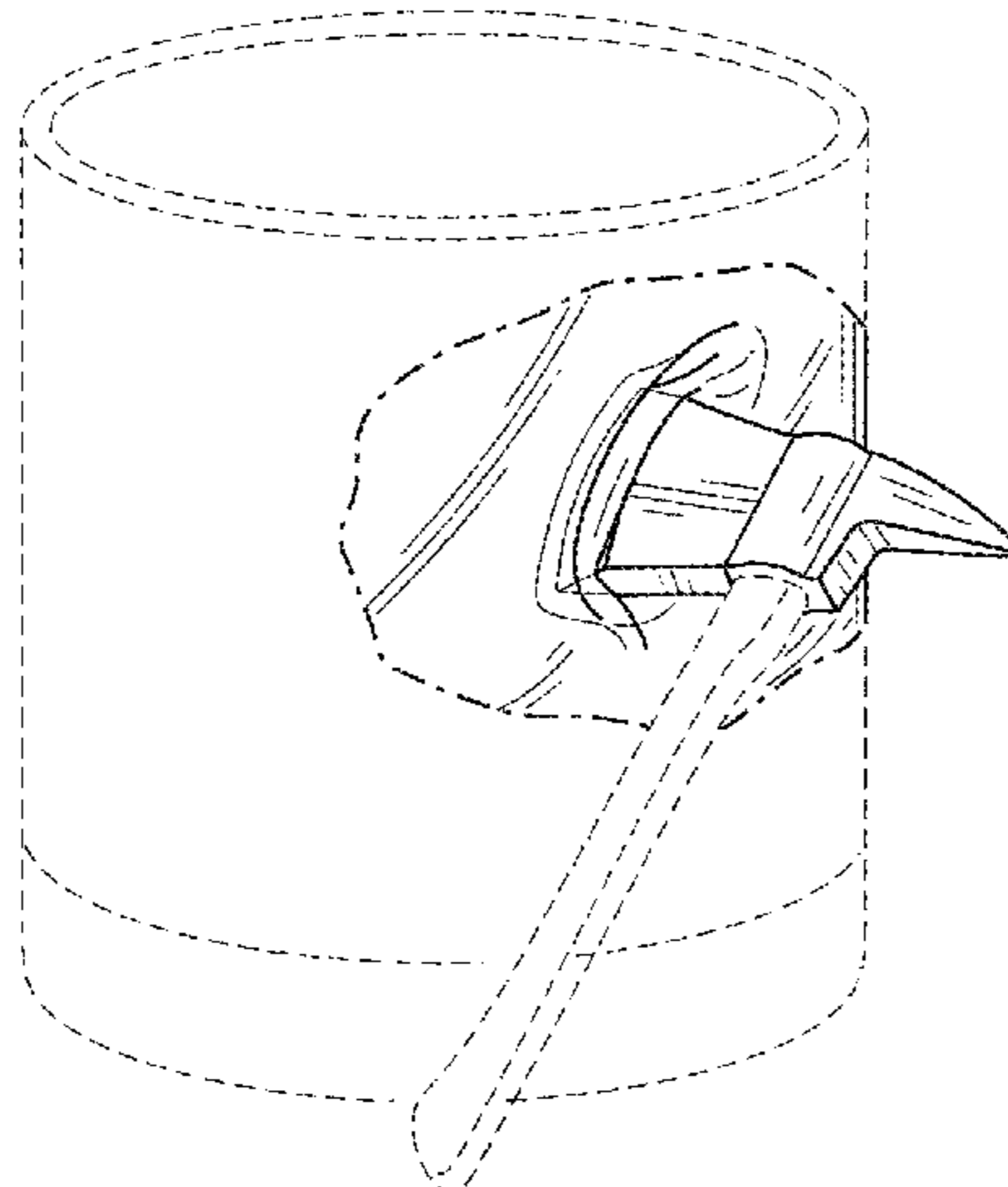


FIG. 41 is a top plan view thereof; and,
FIG. 42 is a bottom plan view thereof.
The broken lines in the drawing views depict environment
that forms no part of the claimed design. The dot dash
broken lines illustrate a boundary that forms no part of the
claimed design.

1 Claim, 24 Drawing Sheets

(58) Field of Classification Search

USPC D7/555-558, 560, 571-573, 577,
D7/598-599, 601-604, 611, 619.1, 619.2,
D7/701, 702, 900, 901; D1/106, 115;
D3/270, 271.8, 271.9; D6/580, 665;
D8/21, 26, 76, 378; D9/519, 529,
D9/544-545, 549, 553, 558, 572, 600,
D9/642-645, 649, 651, 655, 658, 668,
D9/679-680; D11/44, 48, 62-63, 67-68,
D11/86, 89-90, 131, 200, 204, 217, 223,
D11/225, 238; D21/301, 312-315,
D21/386-387, 710, 725, 727, 780;
D22/112-114, 144; D27/118-120, 148,
D27/151, 165, 188; D99/5

CPC .. A45F 3/16; A45F 3/20; A47G 19/22; A47G
19/2205; A47G 19/26; A47G 2019/2277;
A47G 21/18; A63B 59/50; B65D 1/00;
B65D 1/02; B65D 1/32; B65D 11/00;
B65D 11/02; B65D 11/10; B65D 11/14;
B65D 11/16; B65D 11/18; B65D 11/20;
B65D 15/00; B65D 15/02; B65D 15/22;
B65D 15/24

See application file for complete search history.

(56)

References Cited

U.S. PATENT DOCUMENTS

D663,589	S	*	7/2012	Pascot	D7/509
D724,898	S	*	3/2015	Willat	D7/523
D850,210	S	*	6/2019	Wolfgram	D7/515
D857,450	S	*	8/2019	Wolfgram	D7/396.2
D859,082	S	*	9/2019	Wolfgram	D7/515
D875,474	S	*	2/2020	Deutsch	D7/529
D883,031	S	*	5/2020	Wolfgram	D7/515
D895,364	S	*	9/2020	Wolfgram	D7/515
D895,391	S	*	9/2020	Rivera	D8/76
D896,576	S	*	9/2020	Wolfgram	D7/396.2
D897,751	S	*	10/2020	Wolfgram	D7/300.1

* cited by examiner

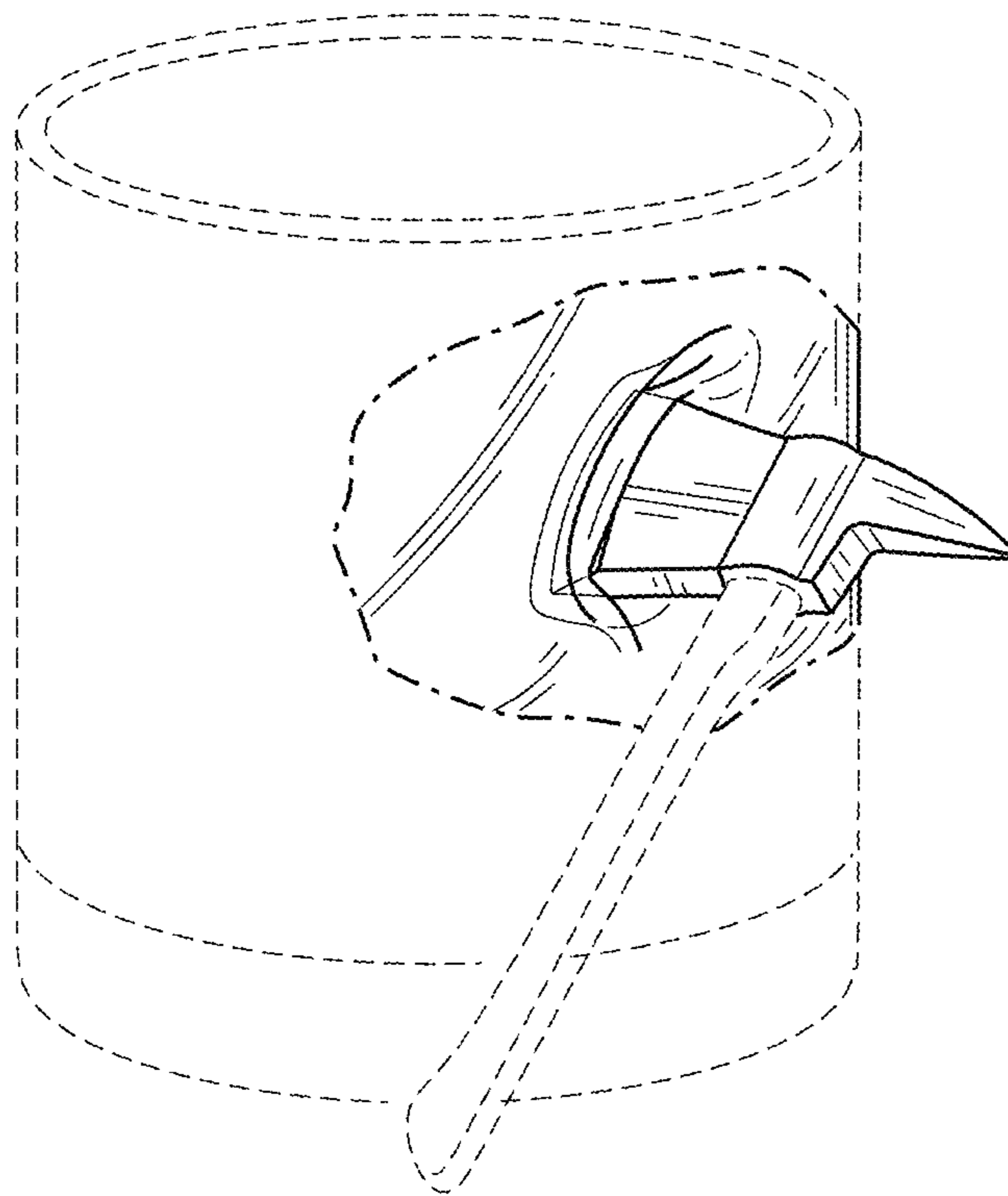


FIG. 1

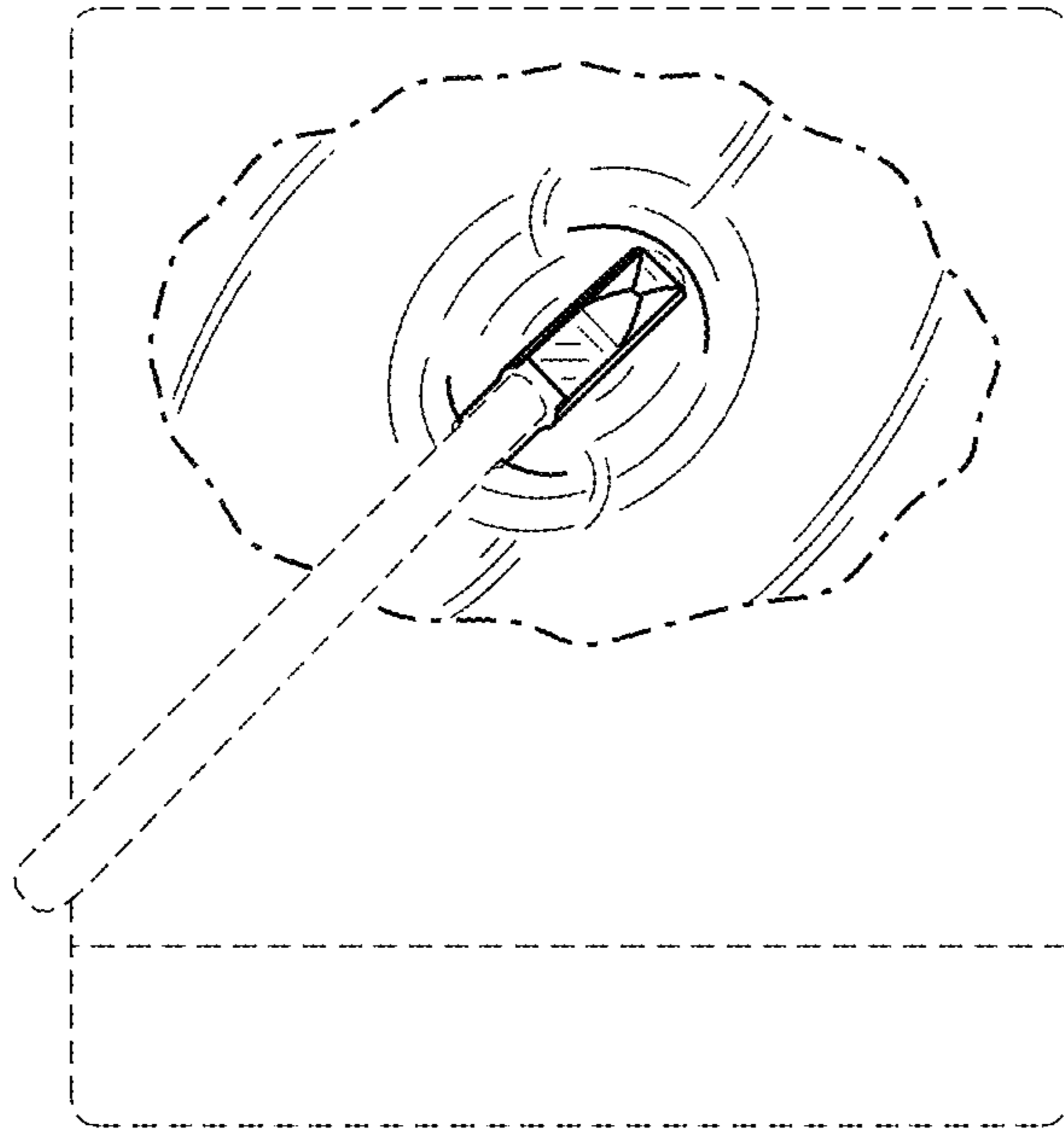


FIG. 2

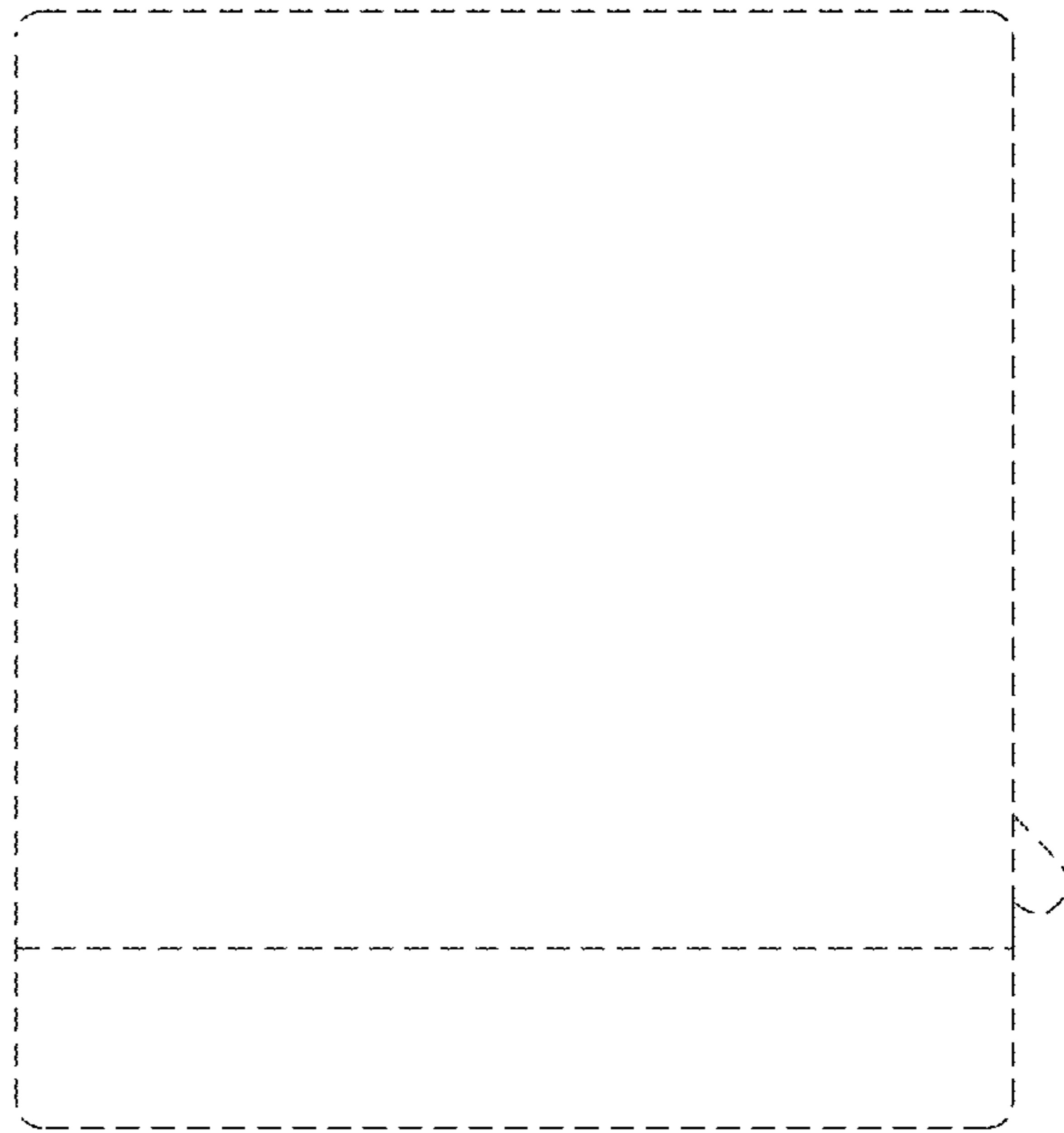


FIG. 3

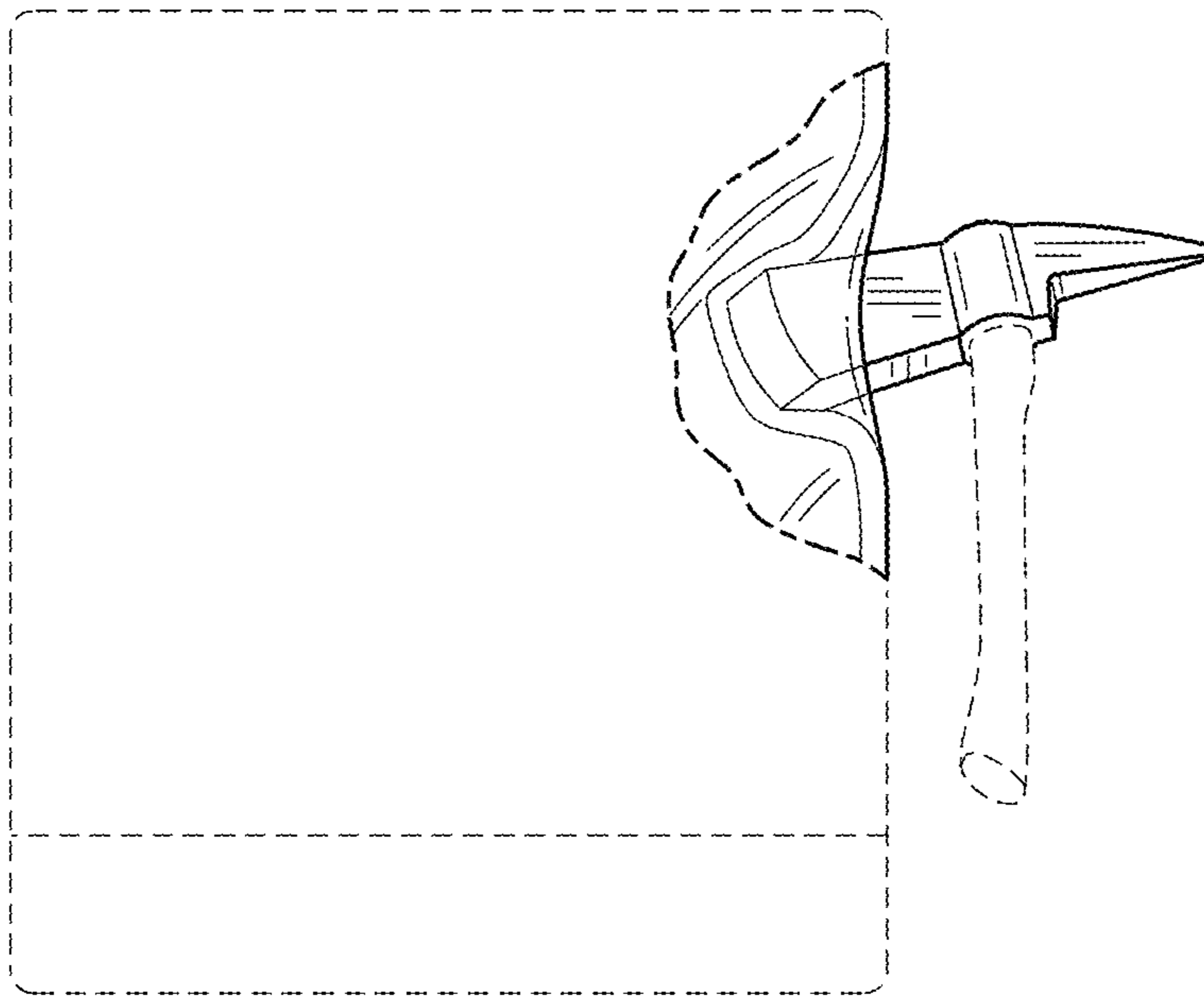


FIG. 4

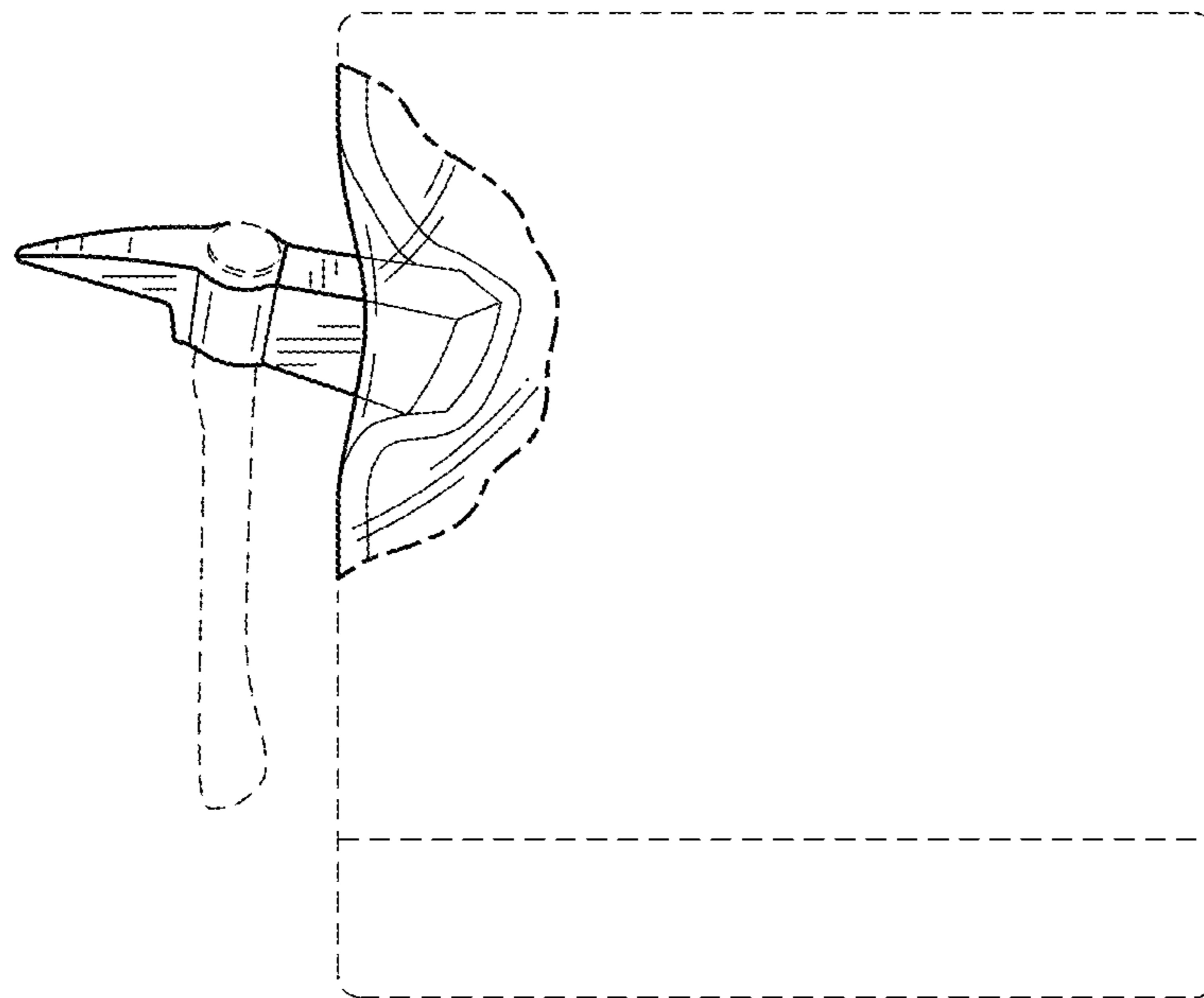


FIG. 5

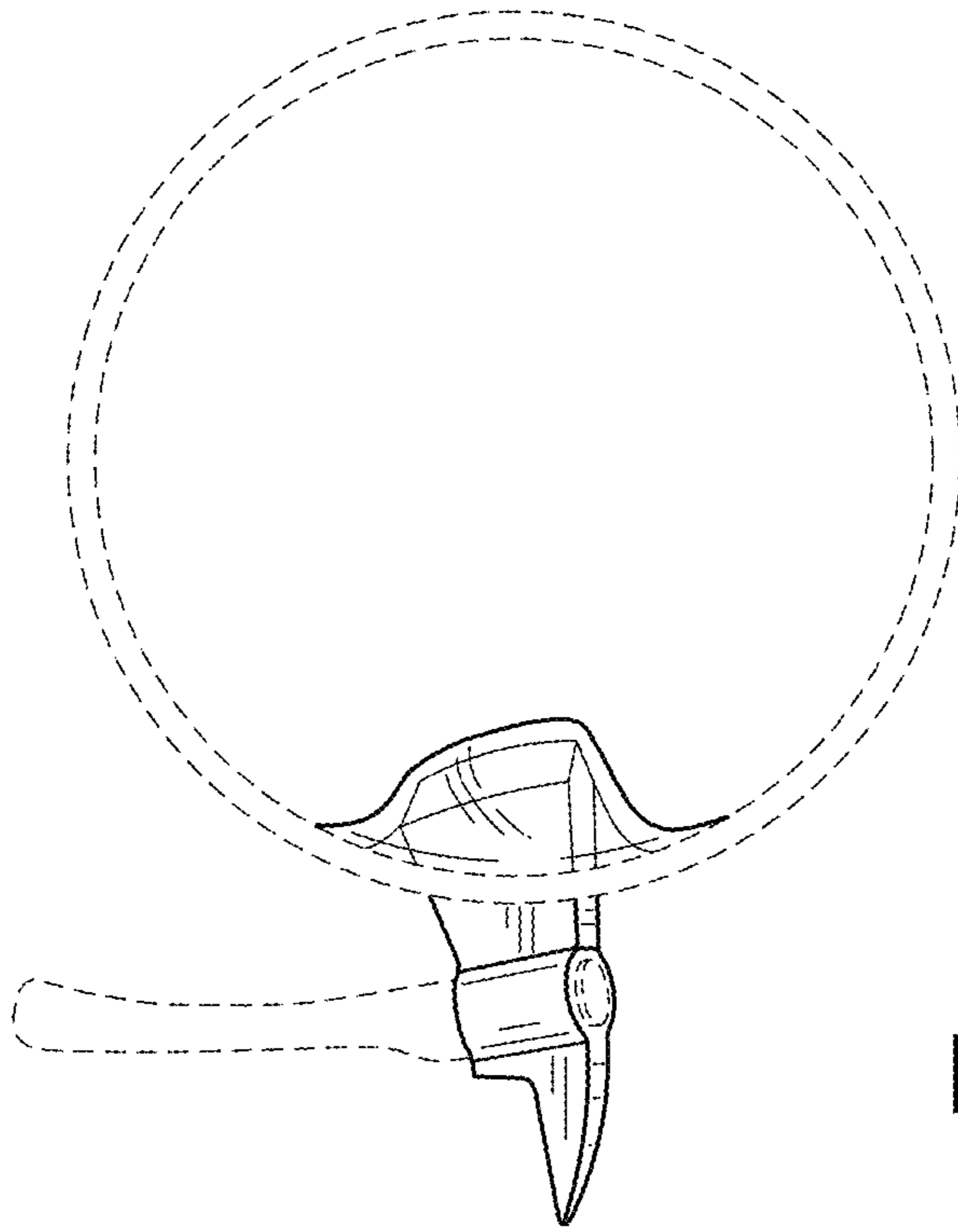


FIG. 6

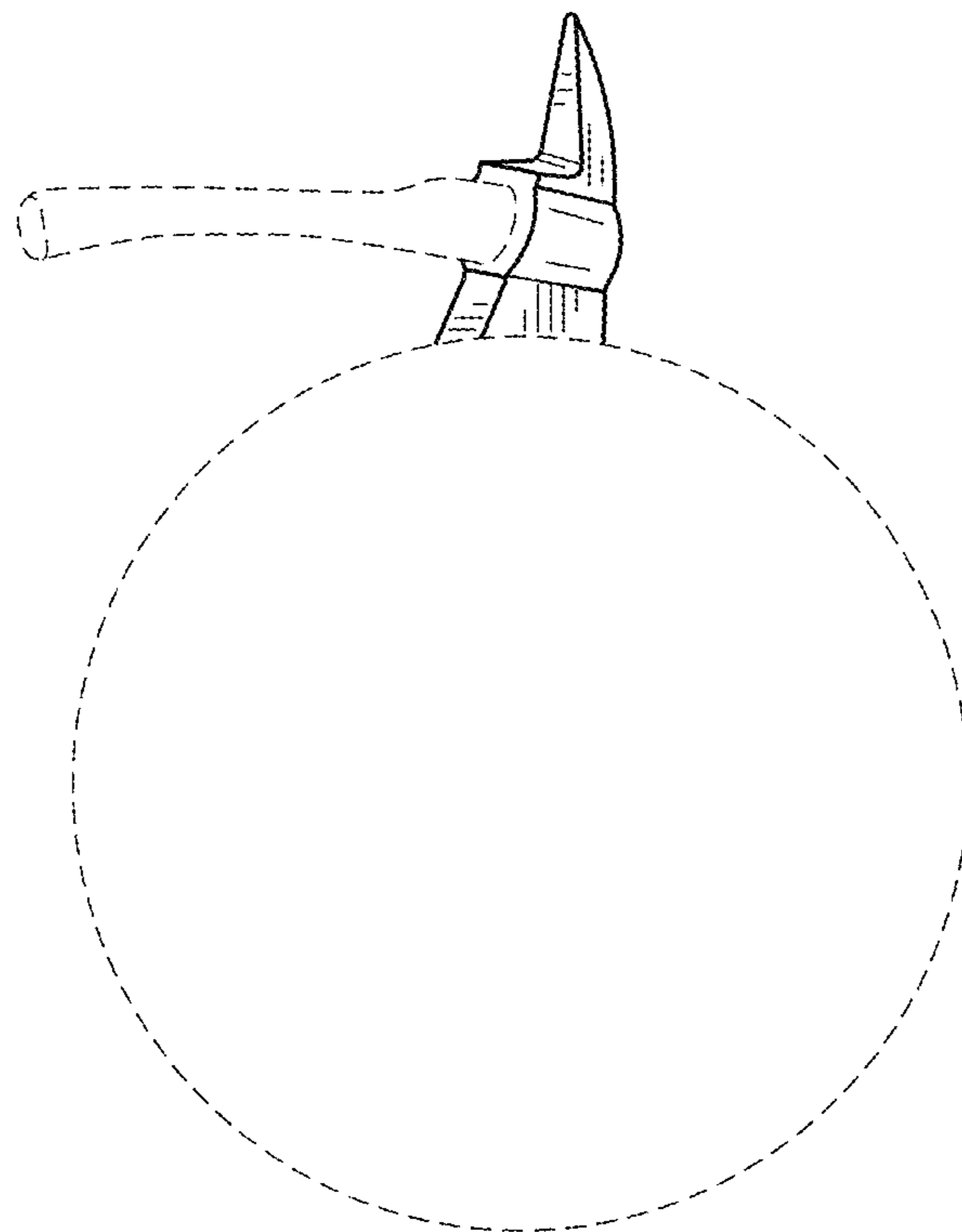


FIG. 7

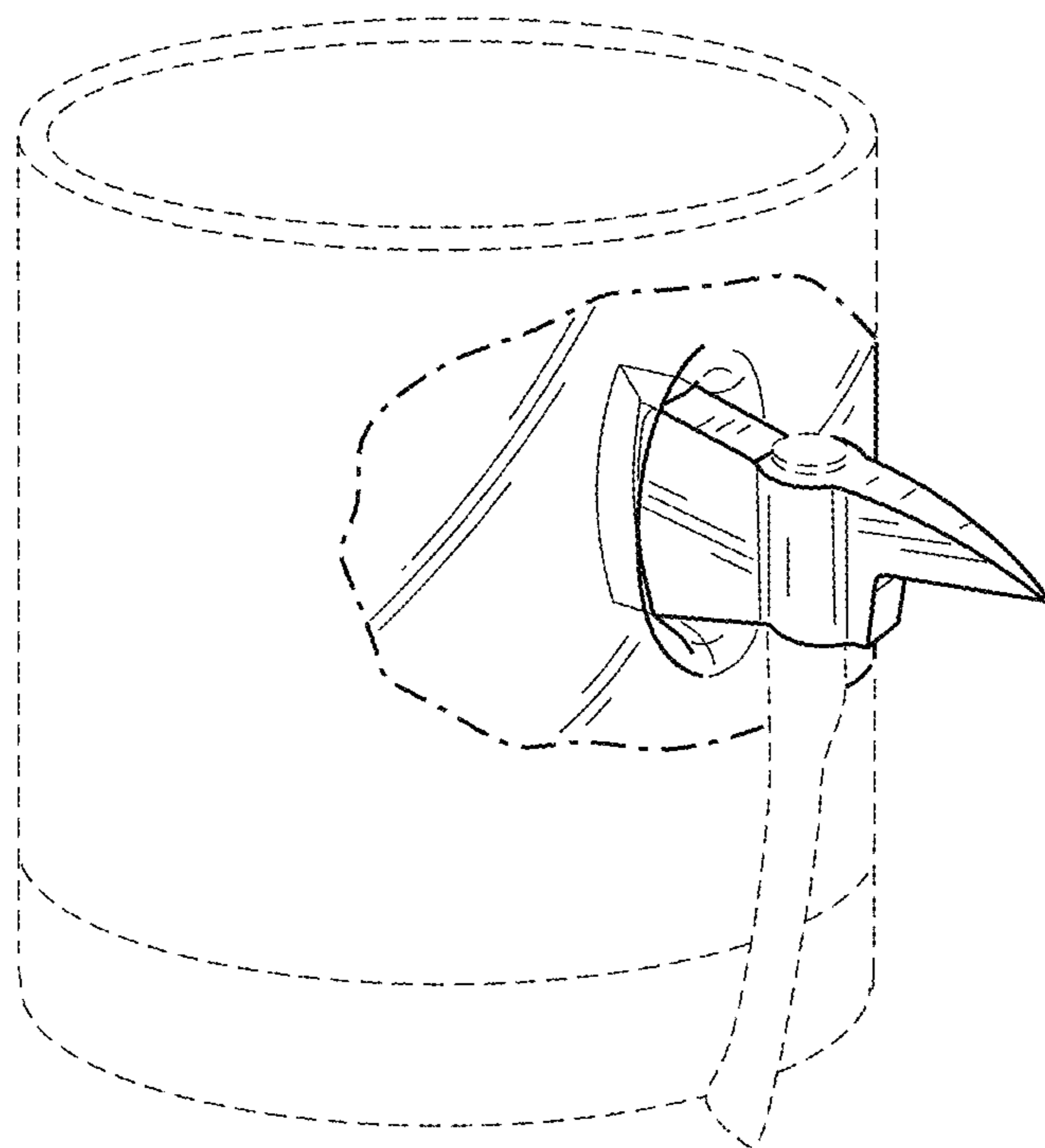


FIG. 8

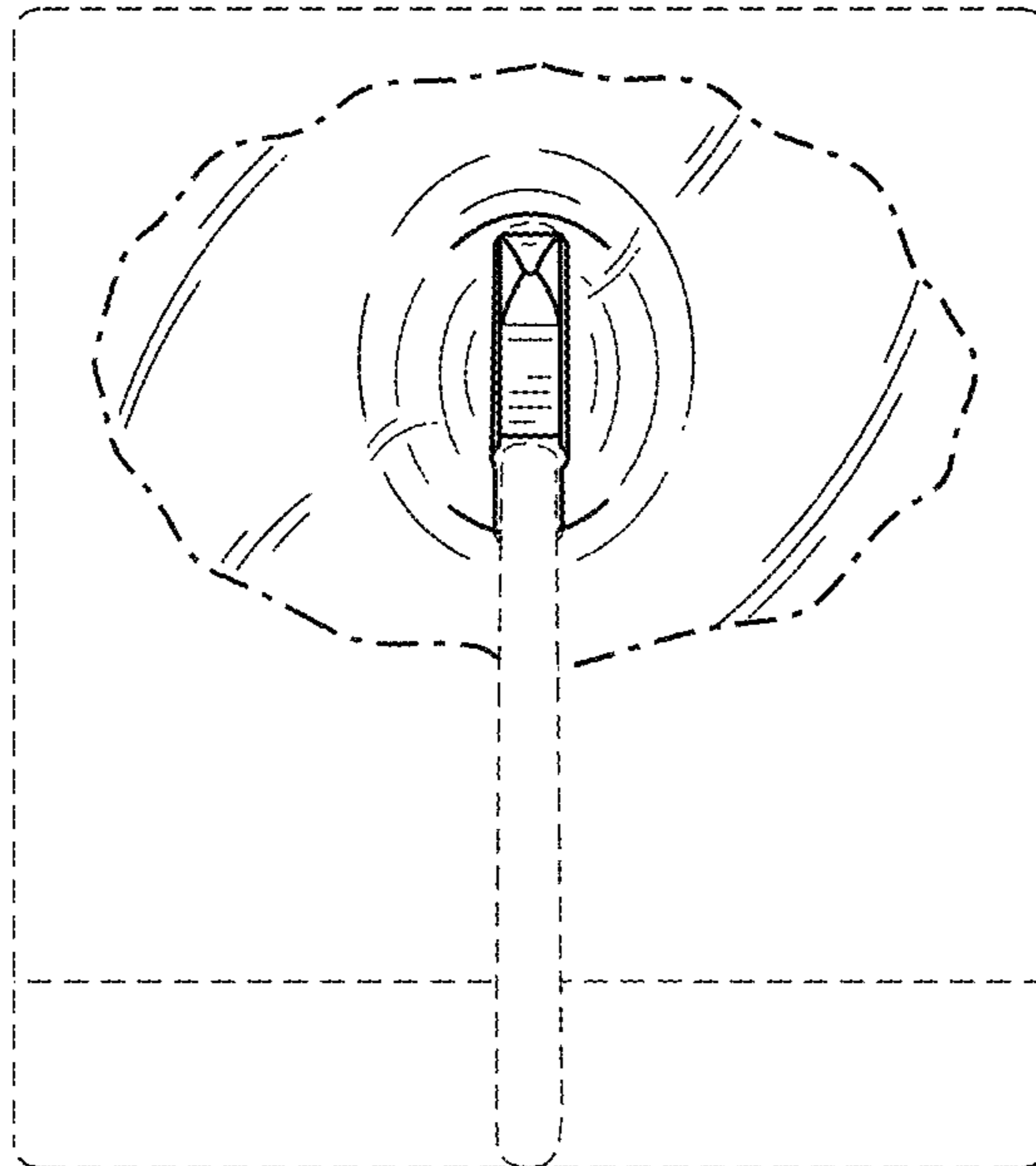


FIG. 9

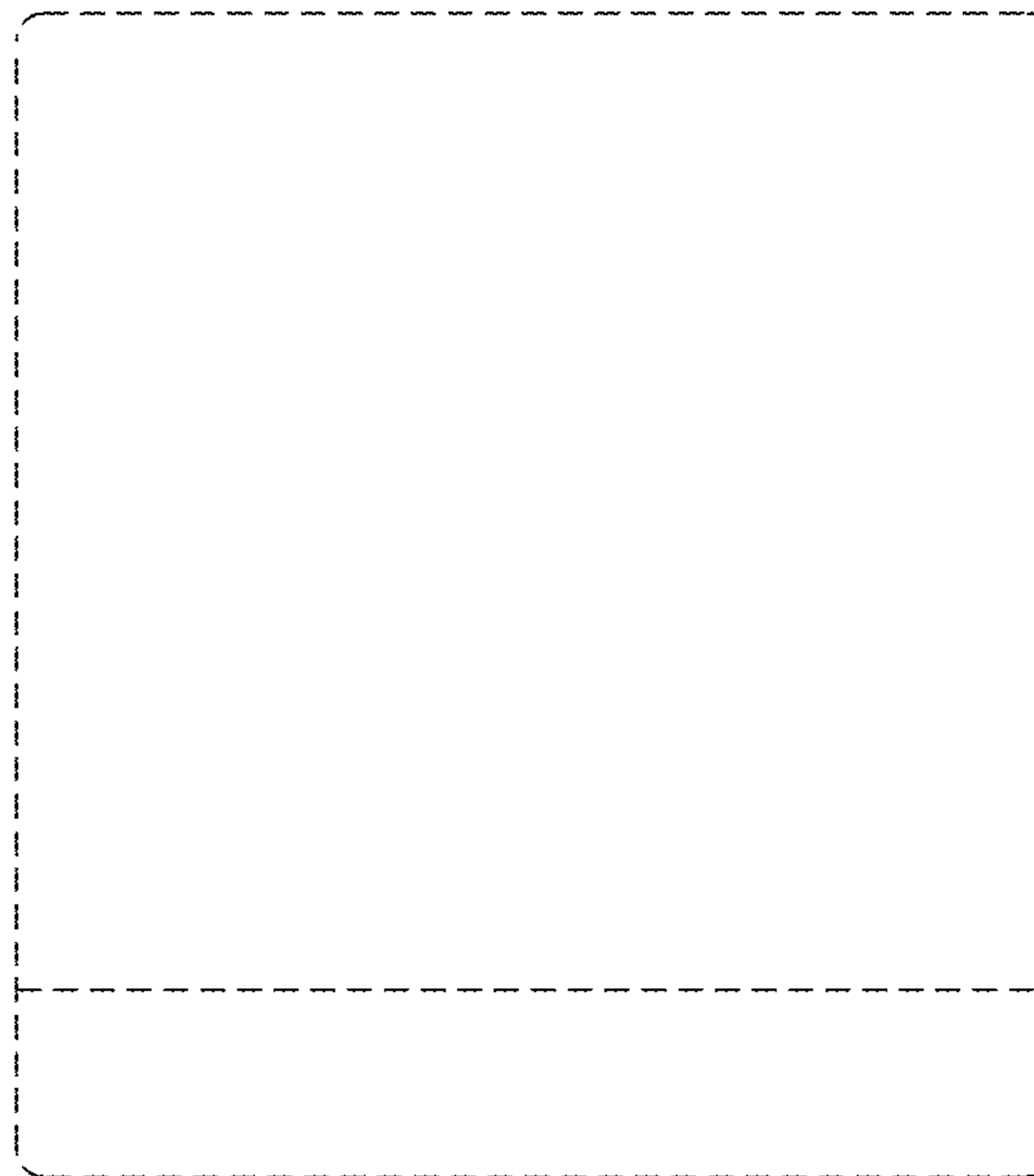


FIG. 10

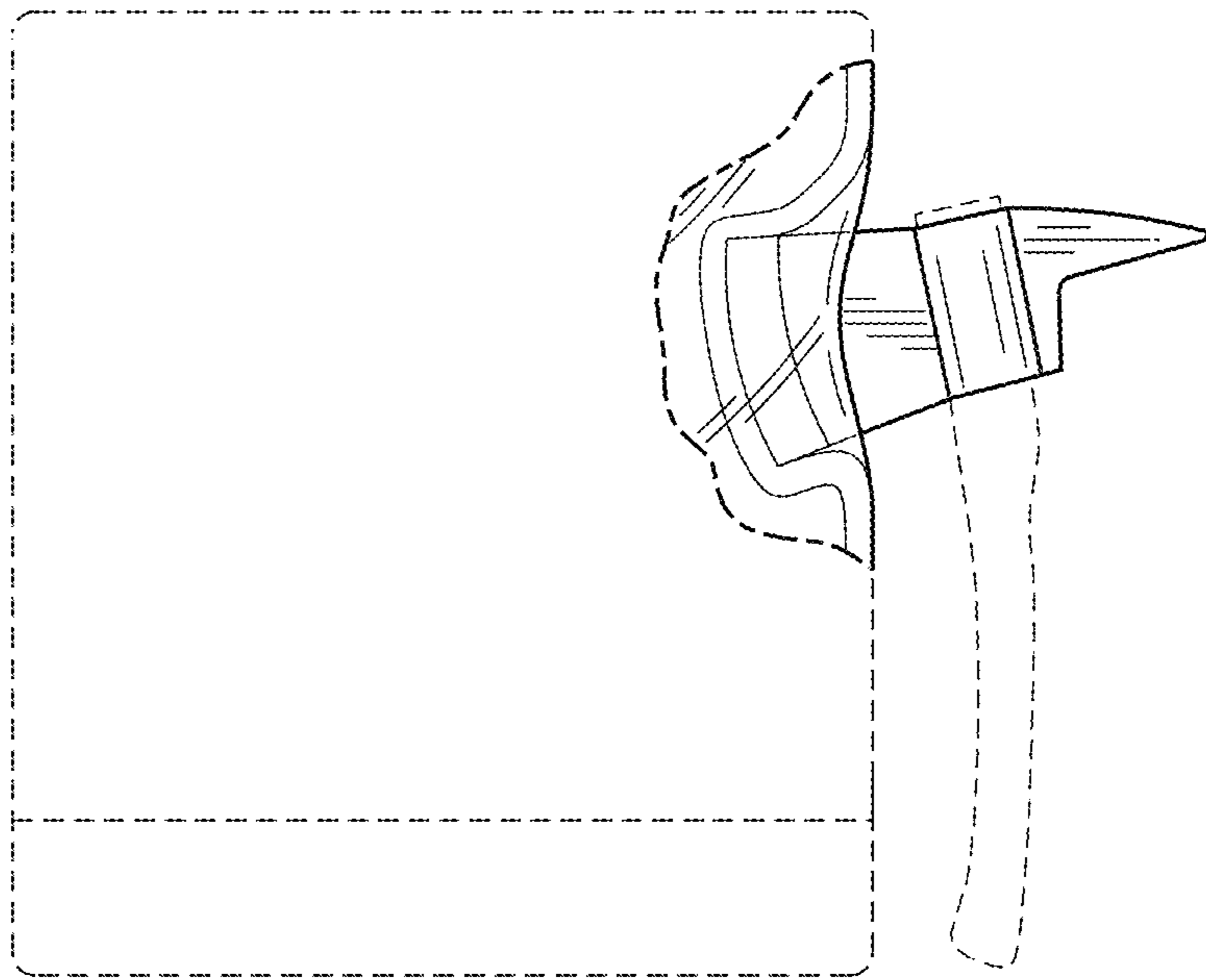


FIG. 11

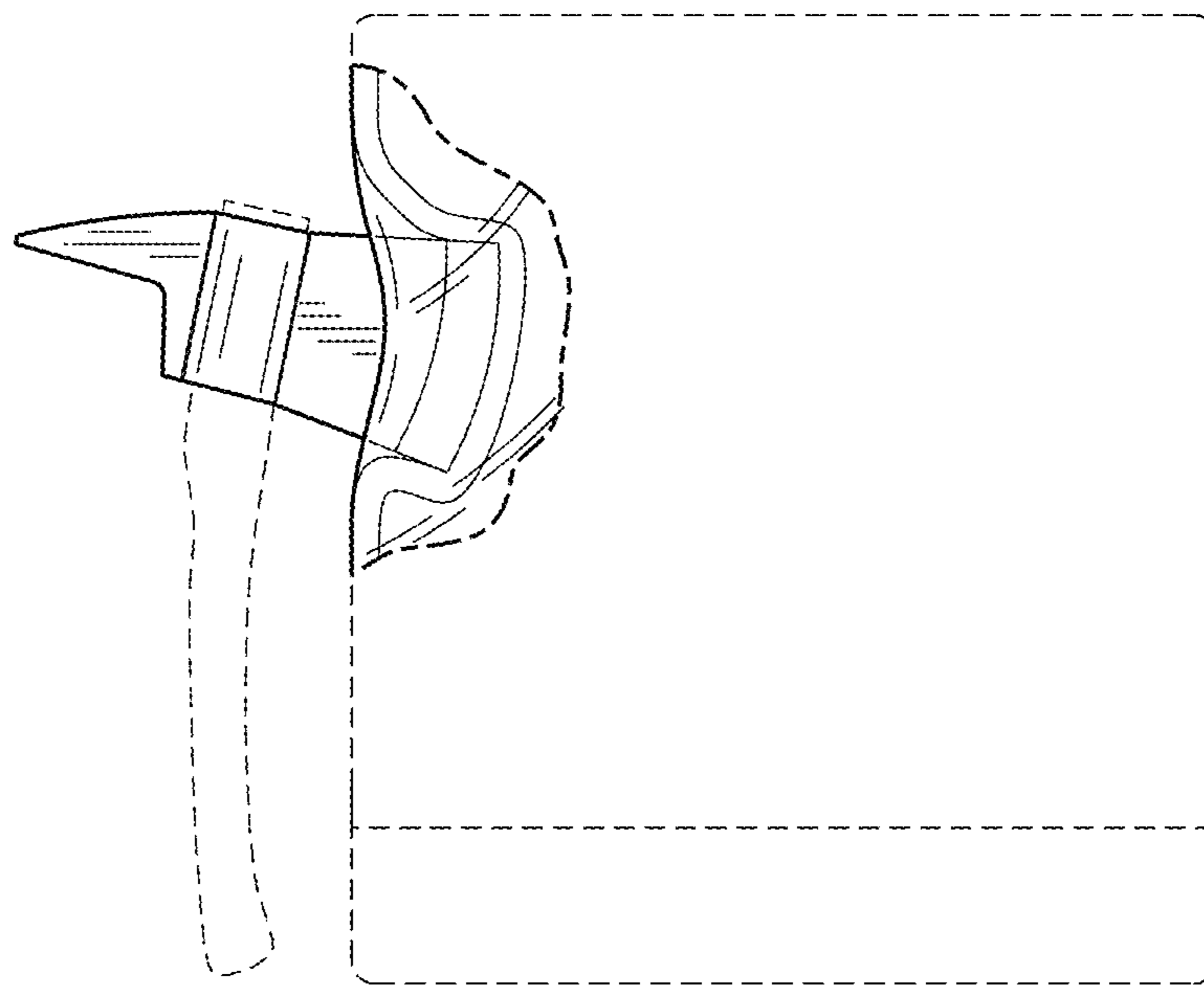


FIG. 12

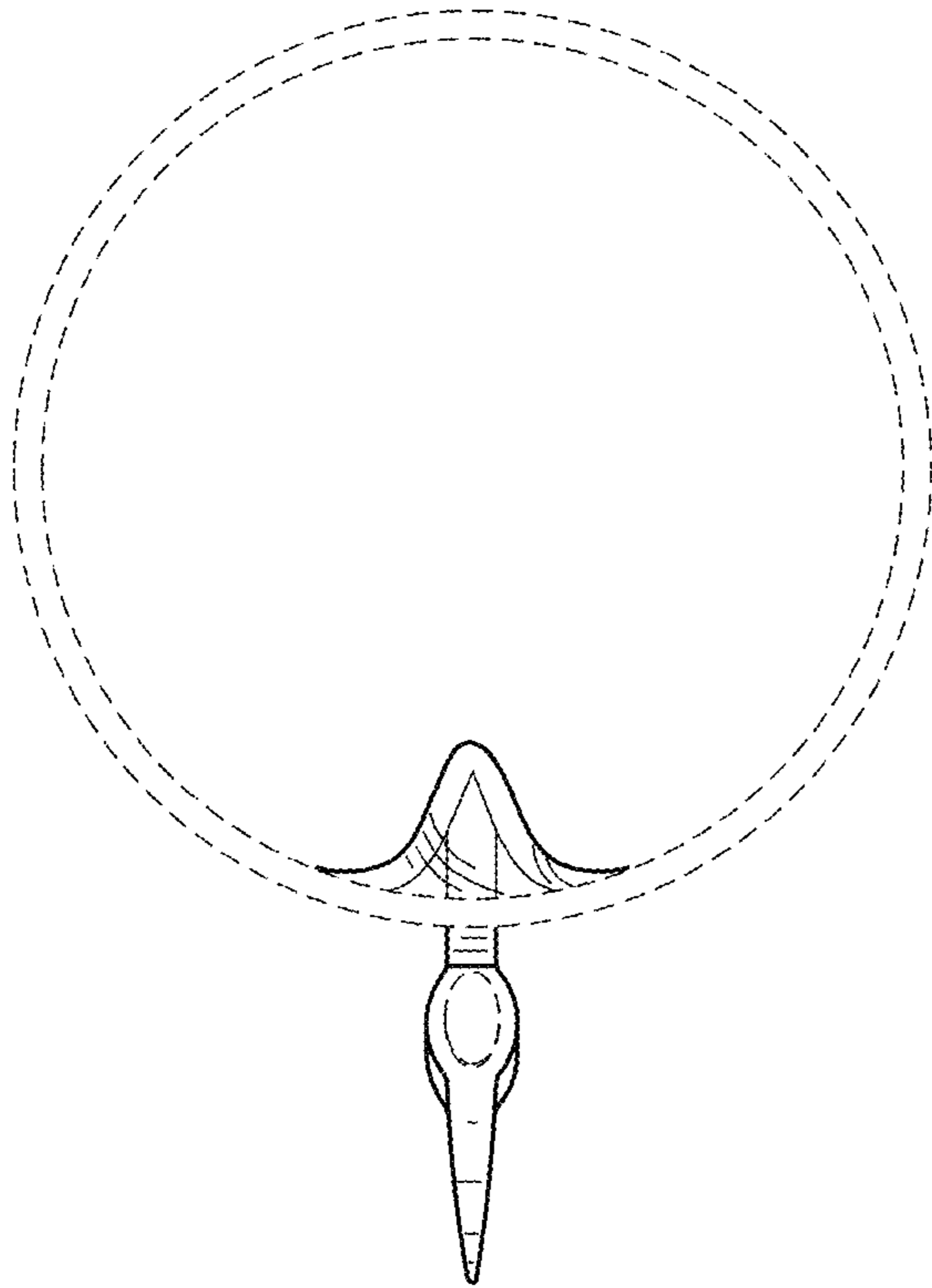


FIG. 13

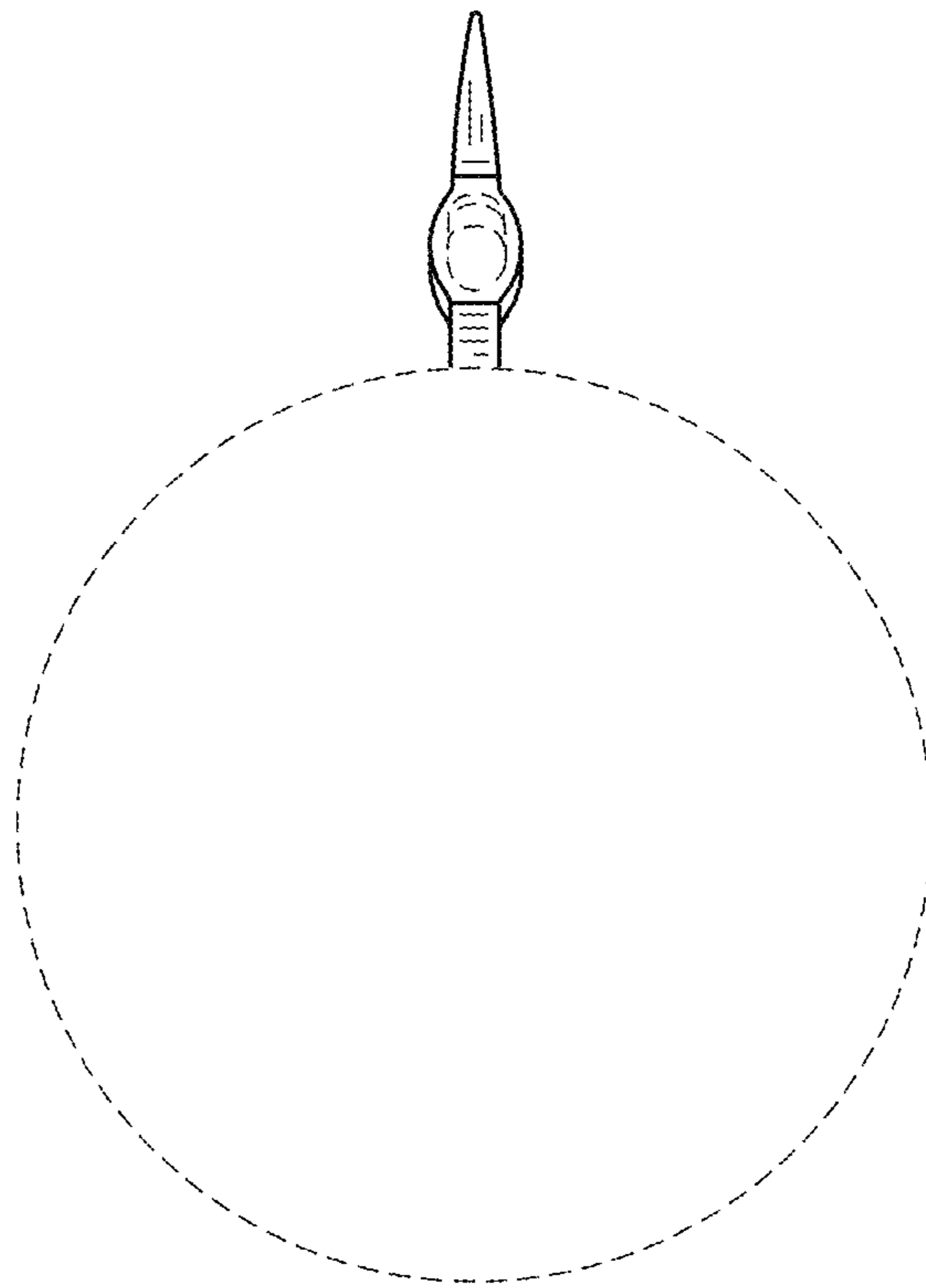


FIG. 14

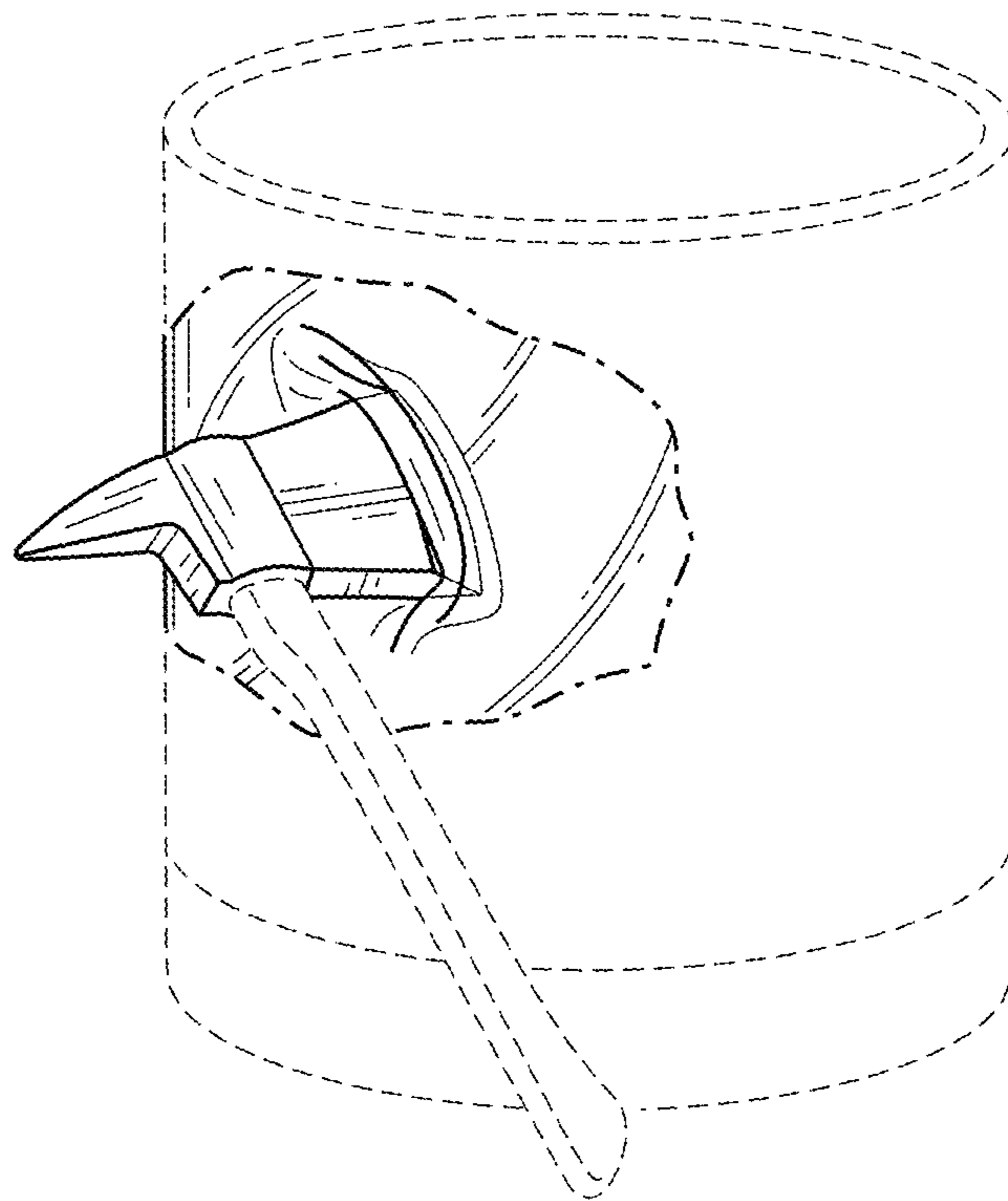


FIG. 15

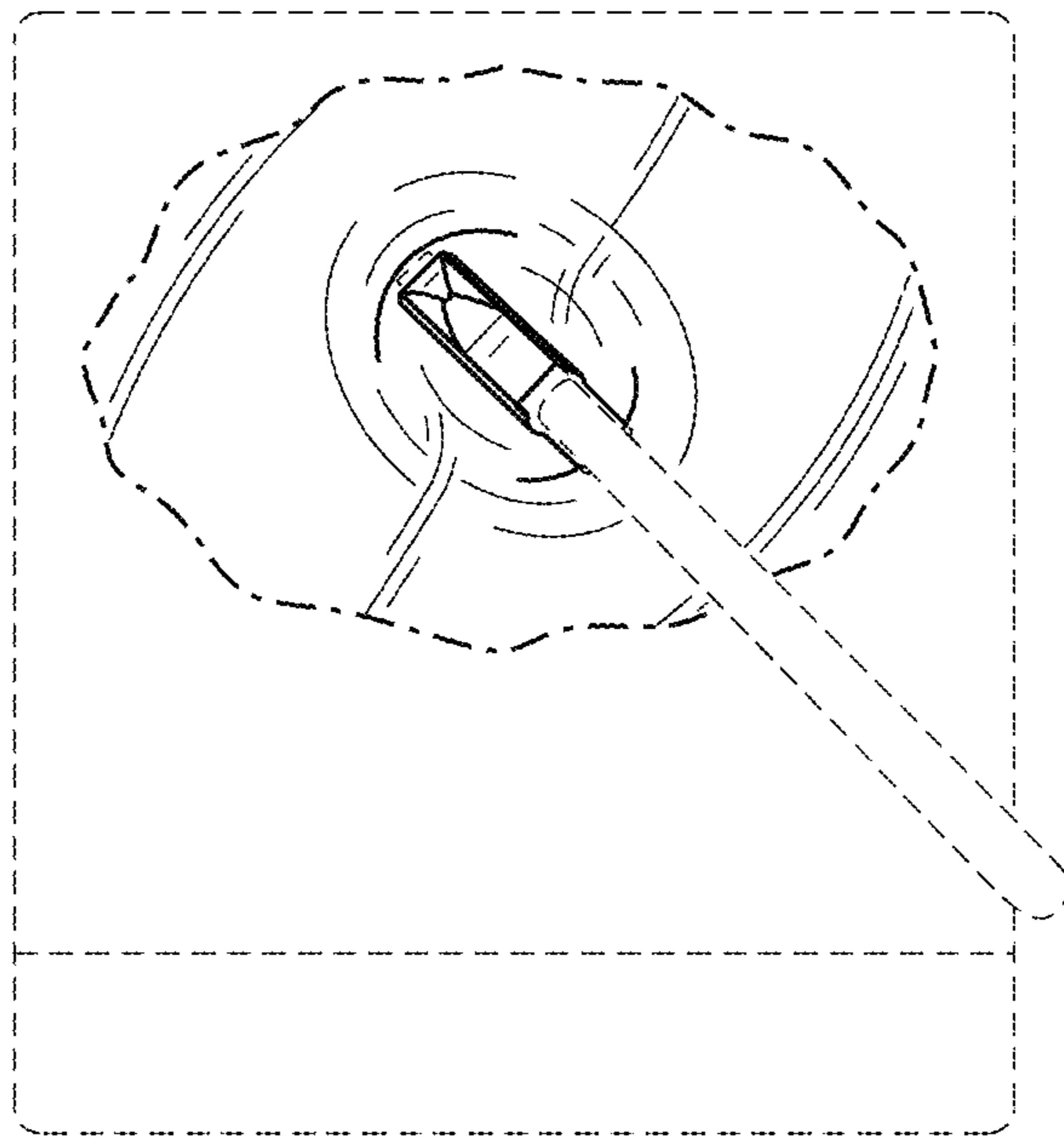


FIG. 16

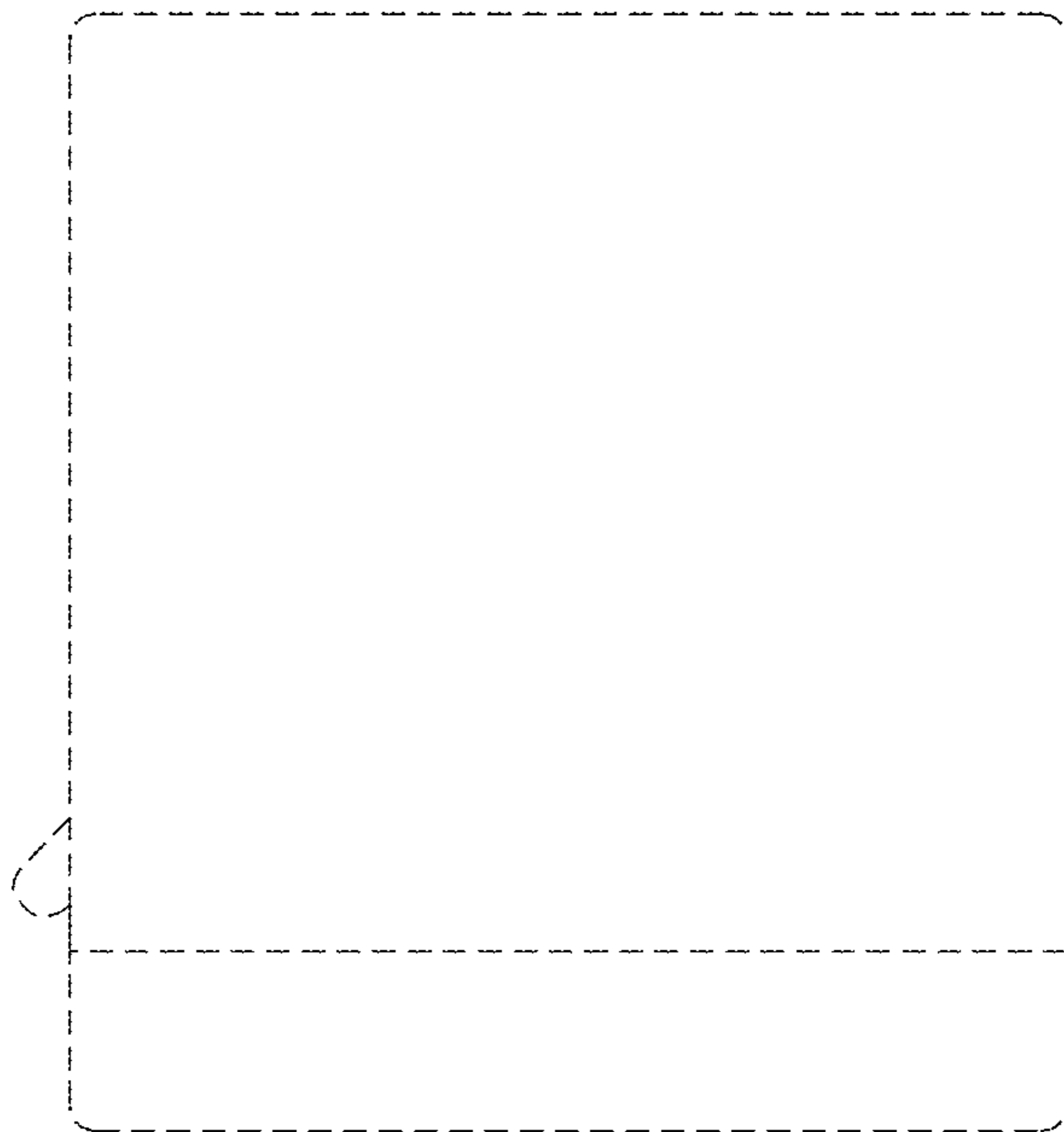


FIG. 17

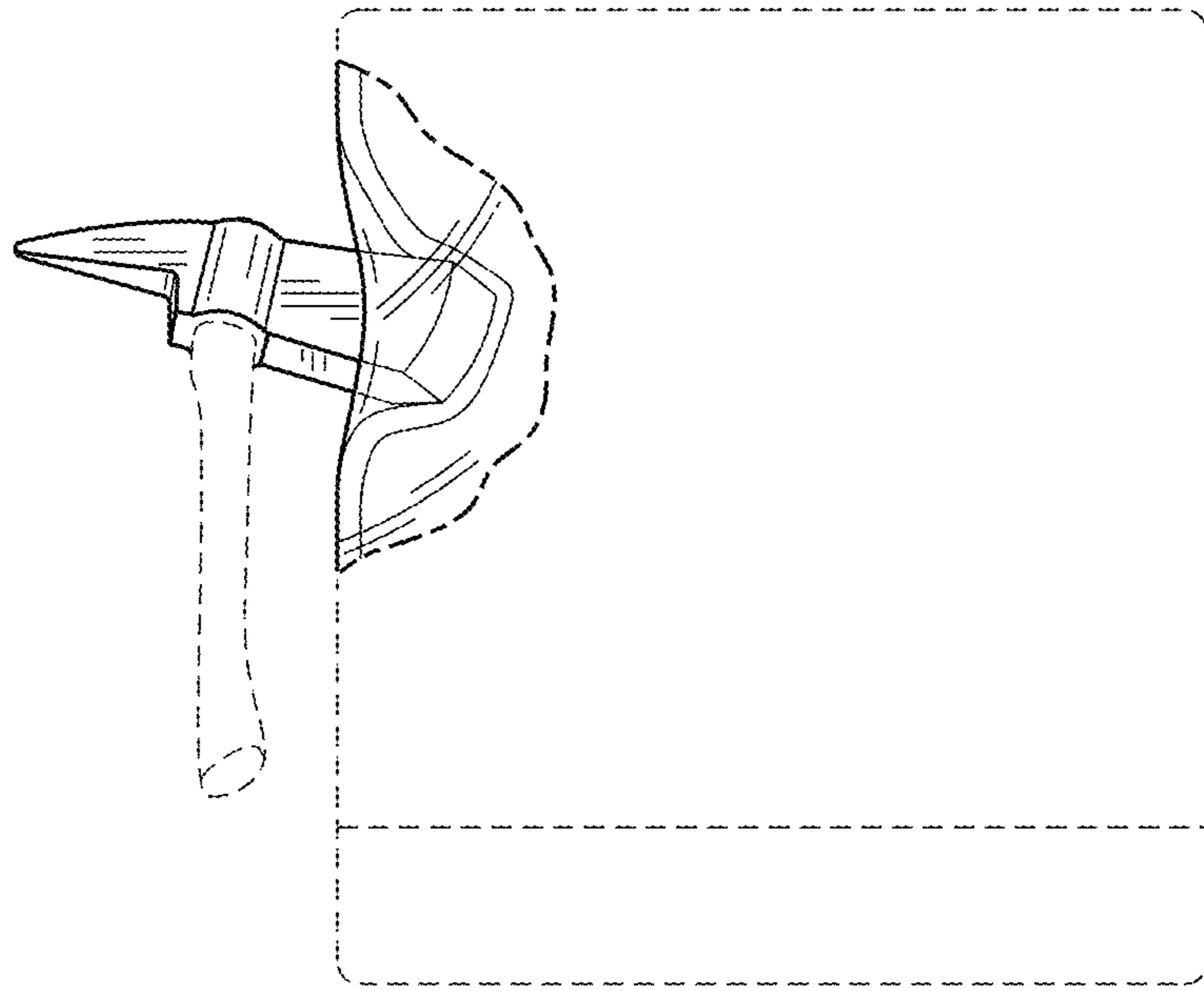


FIG. 18

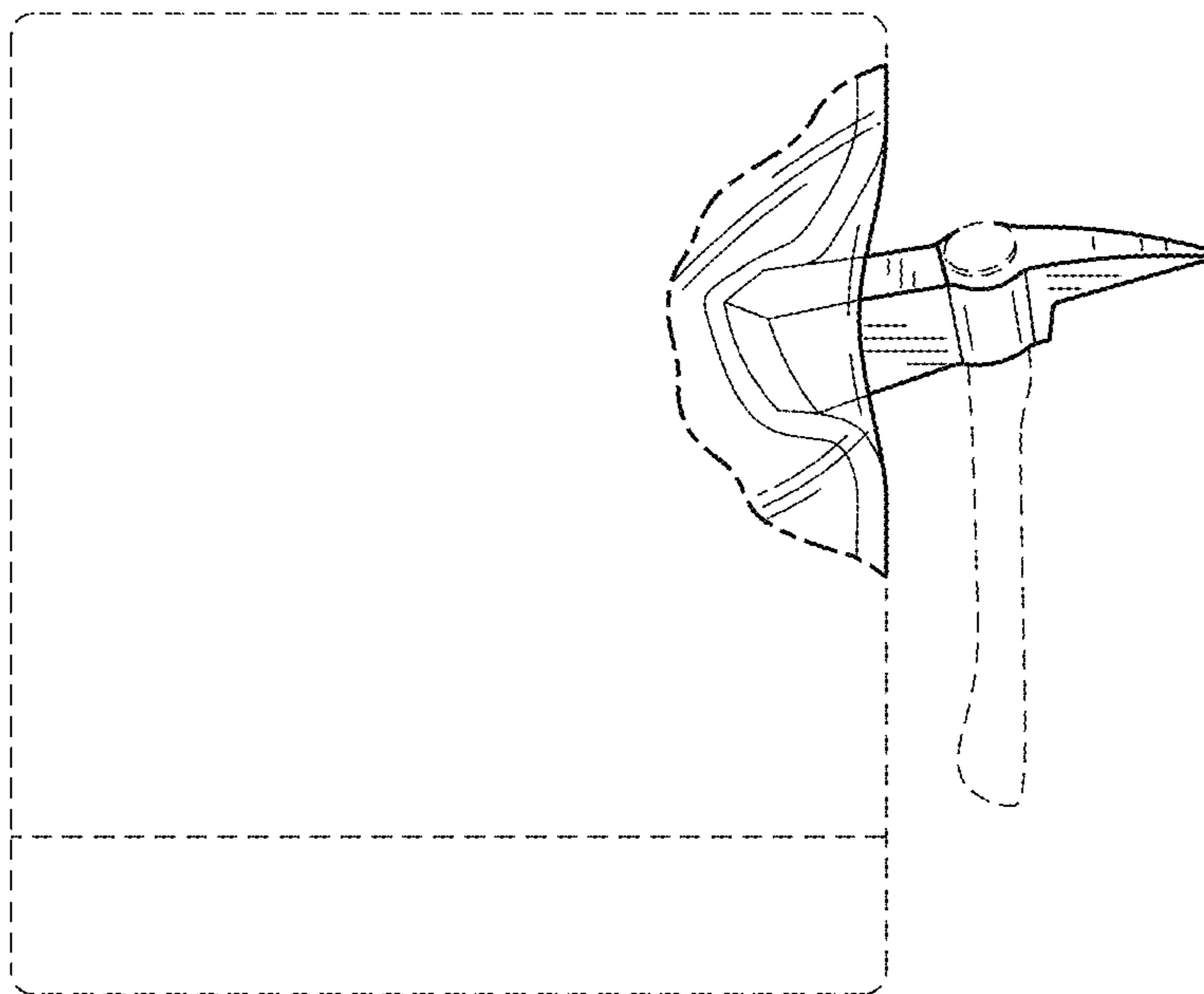


FIG. 19

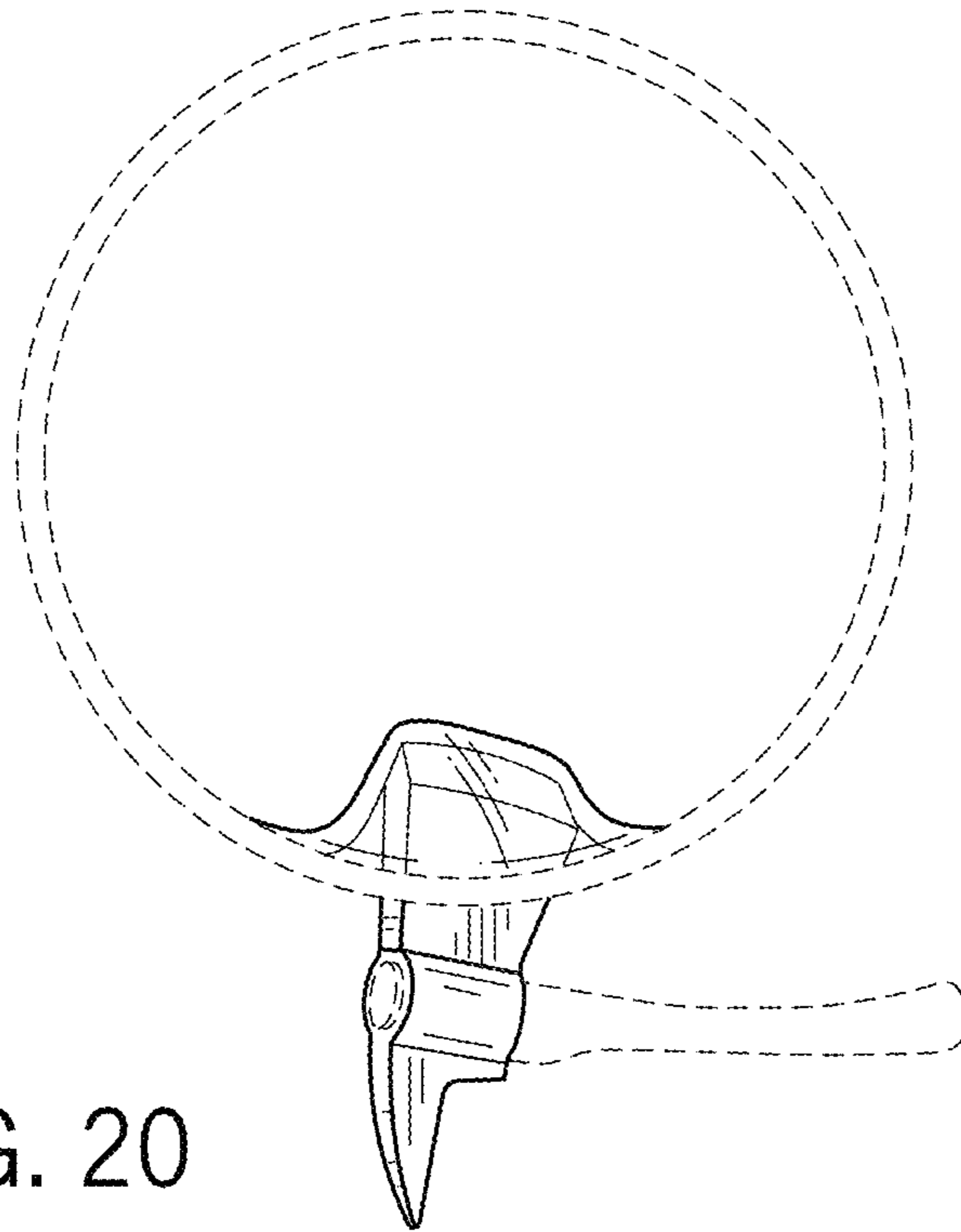


FIG. 20

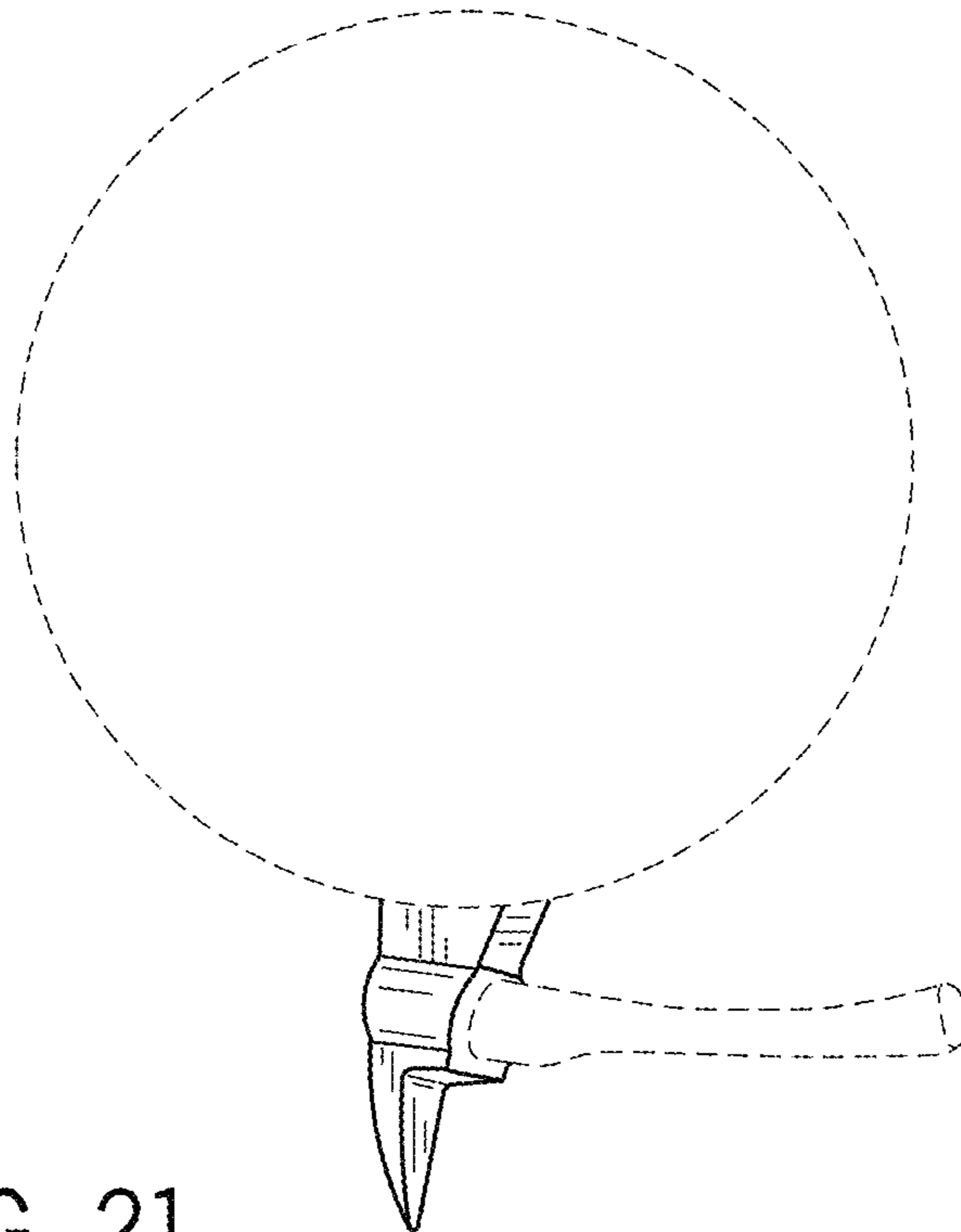


FIG. 21

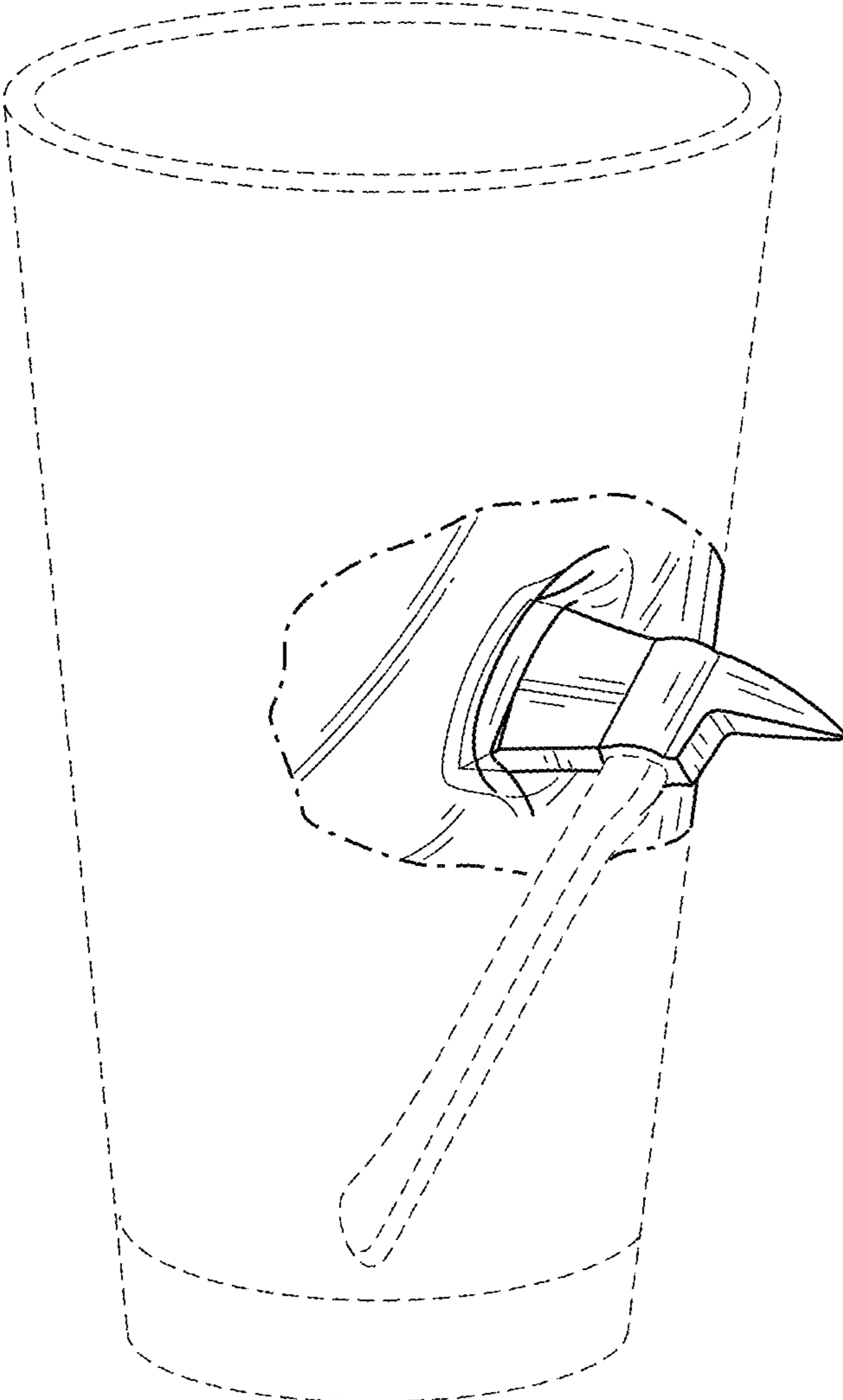


FIG. 22

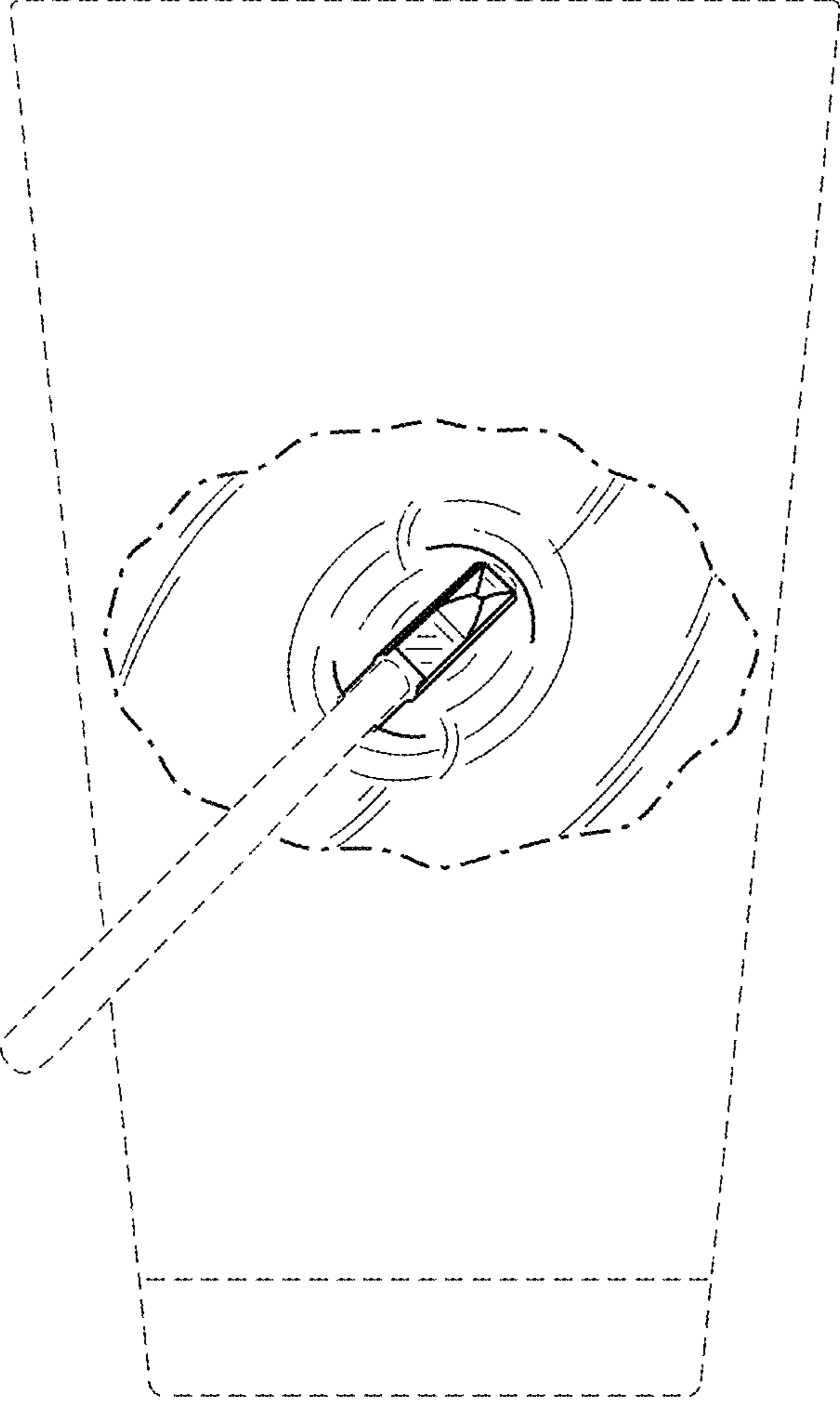


FIG. 23

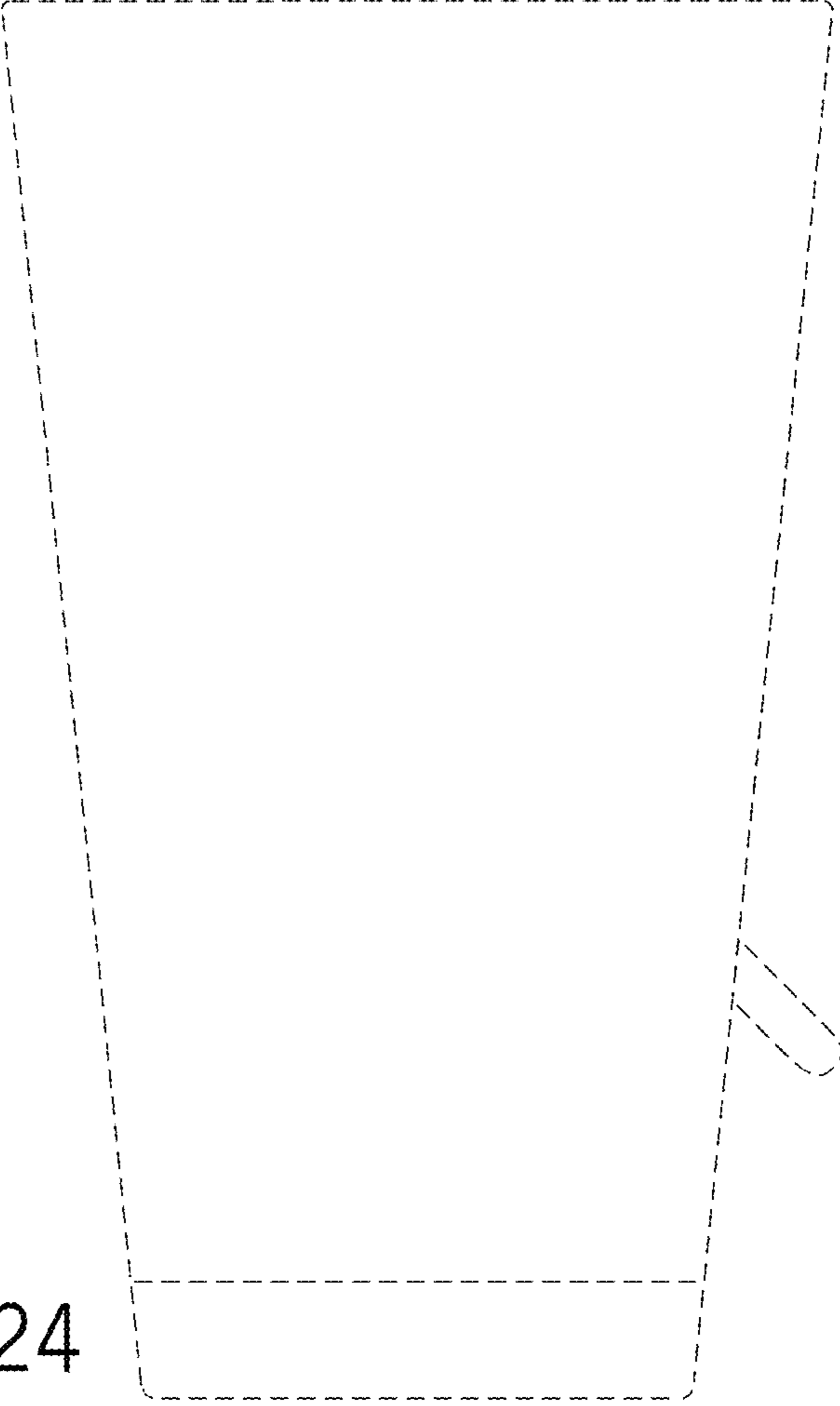


FIG. 24

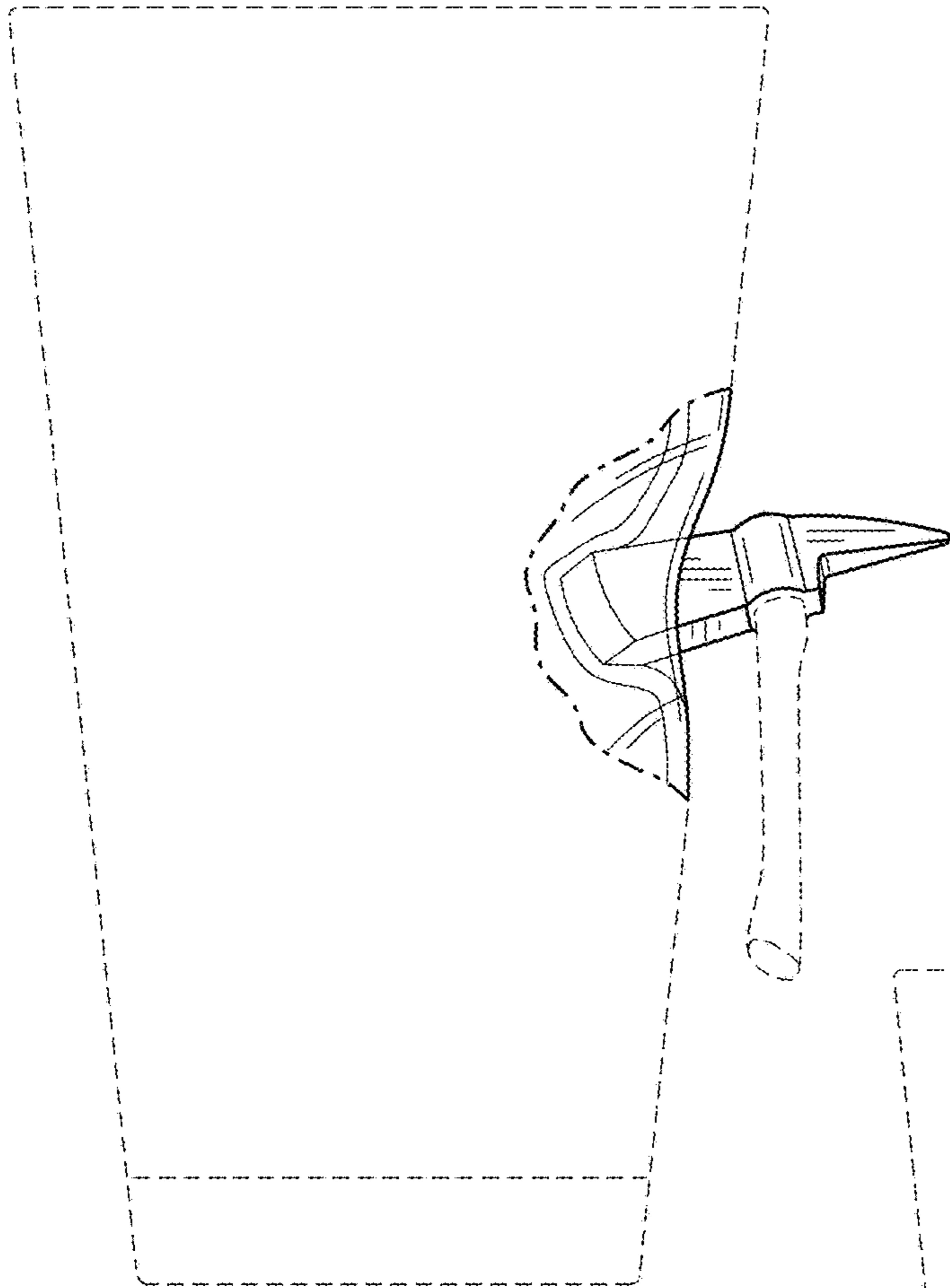


FIG. 25

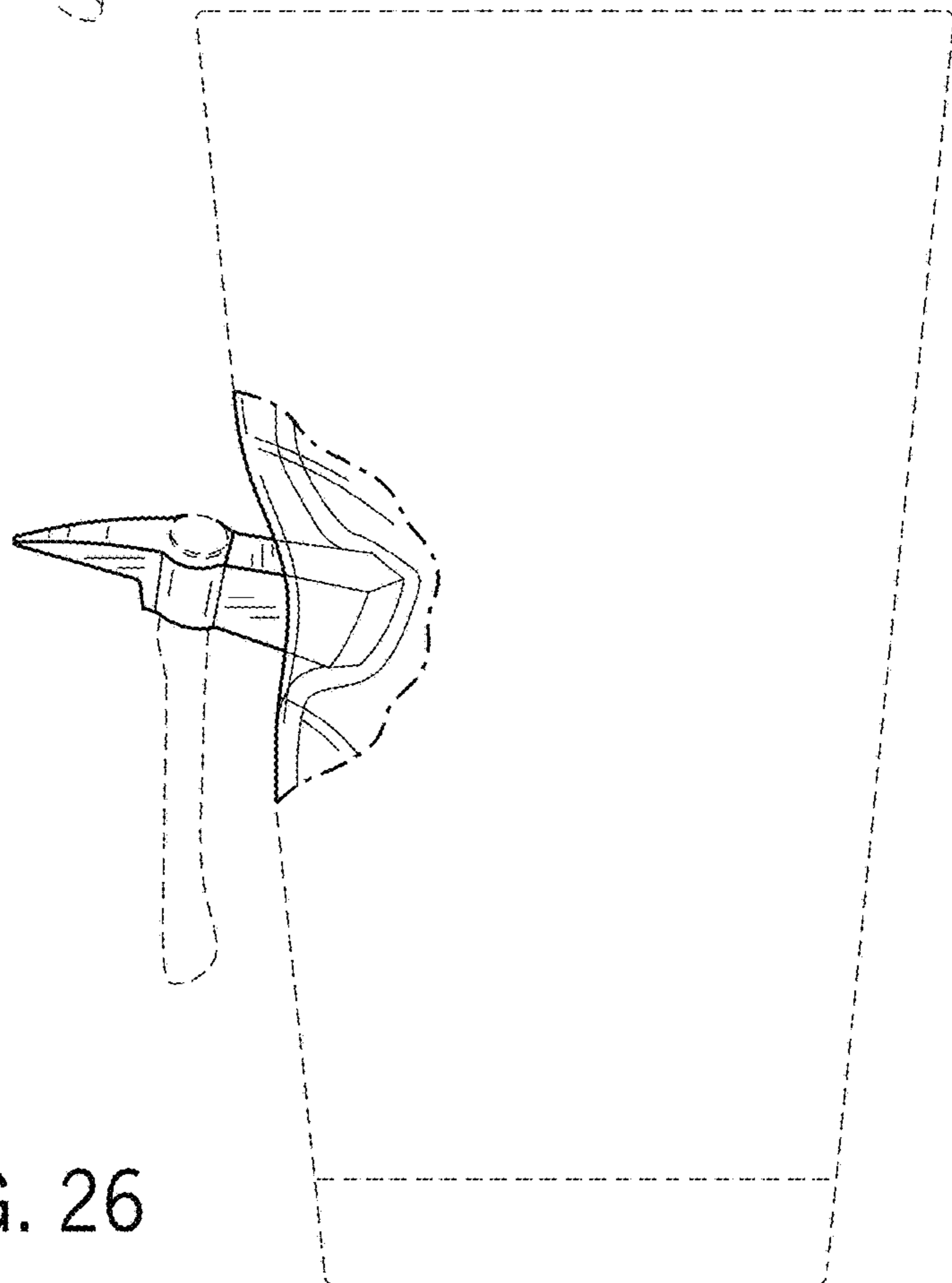


FIG. 26

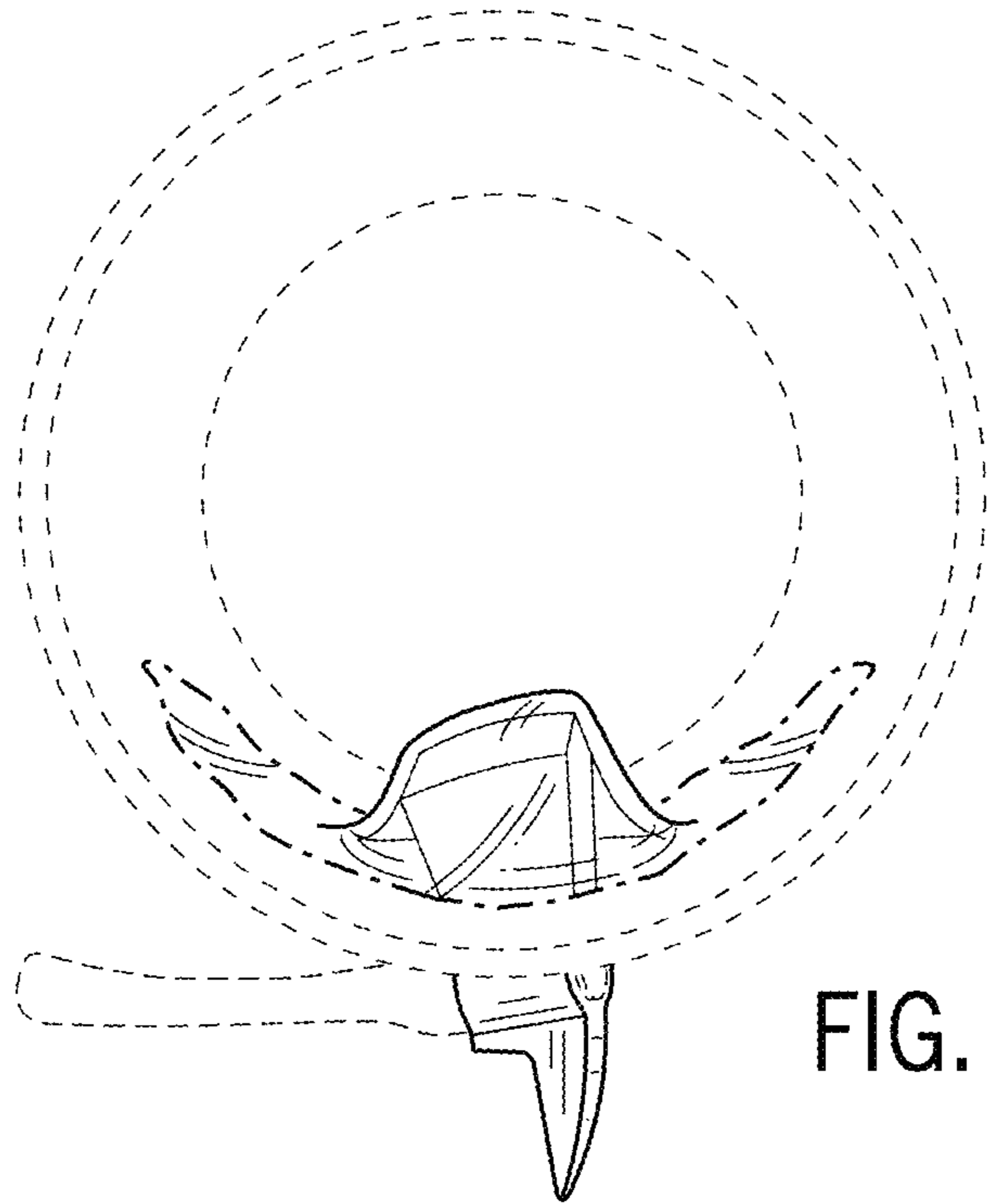


FIG. 27

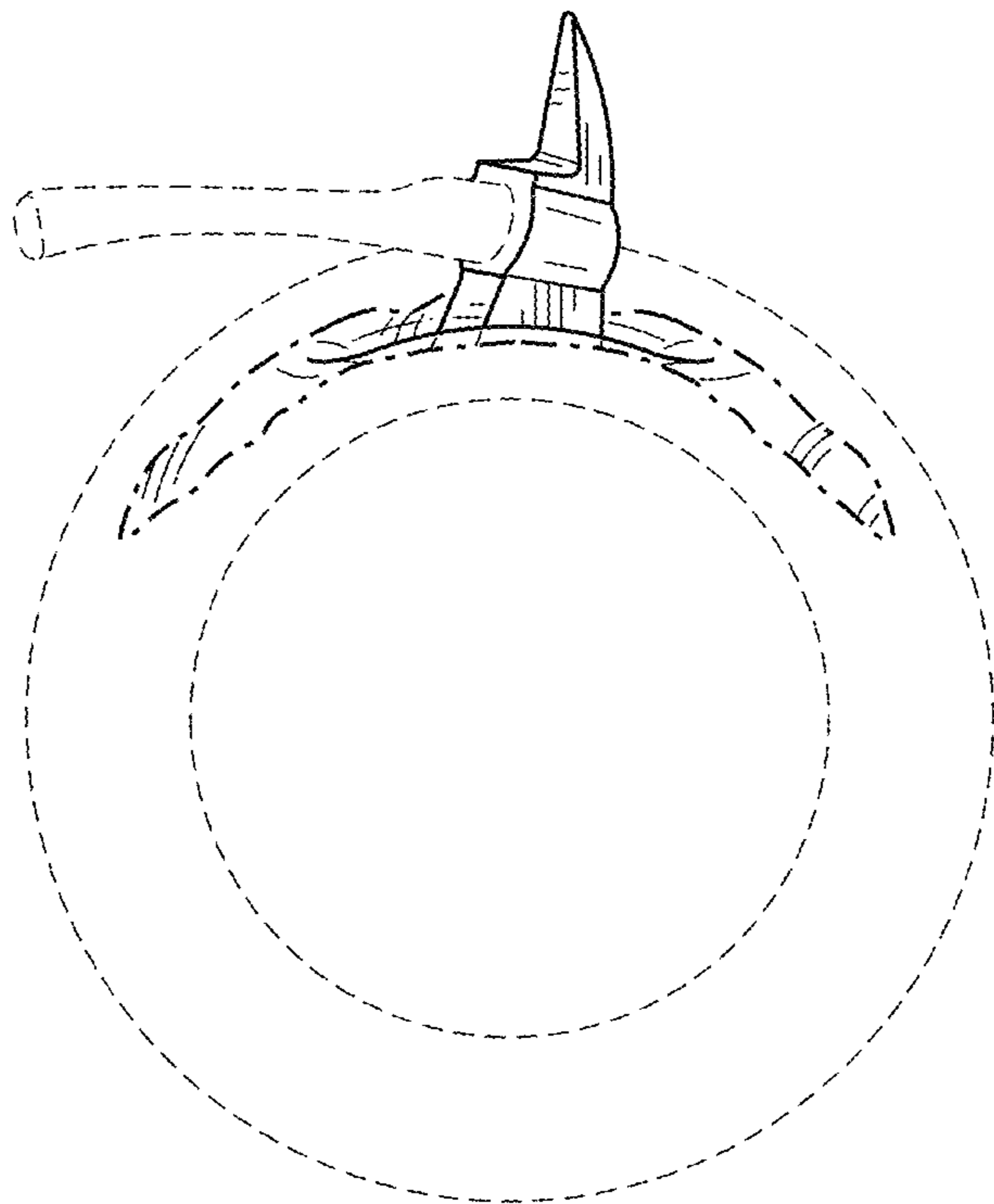


FIG. 28

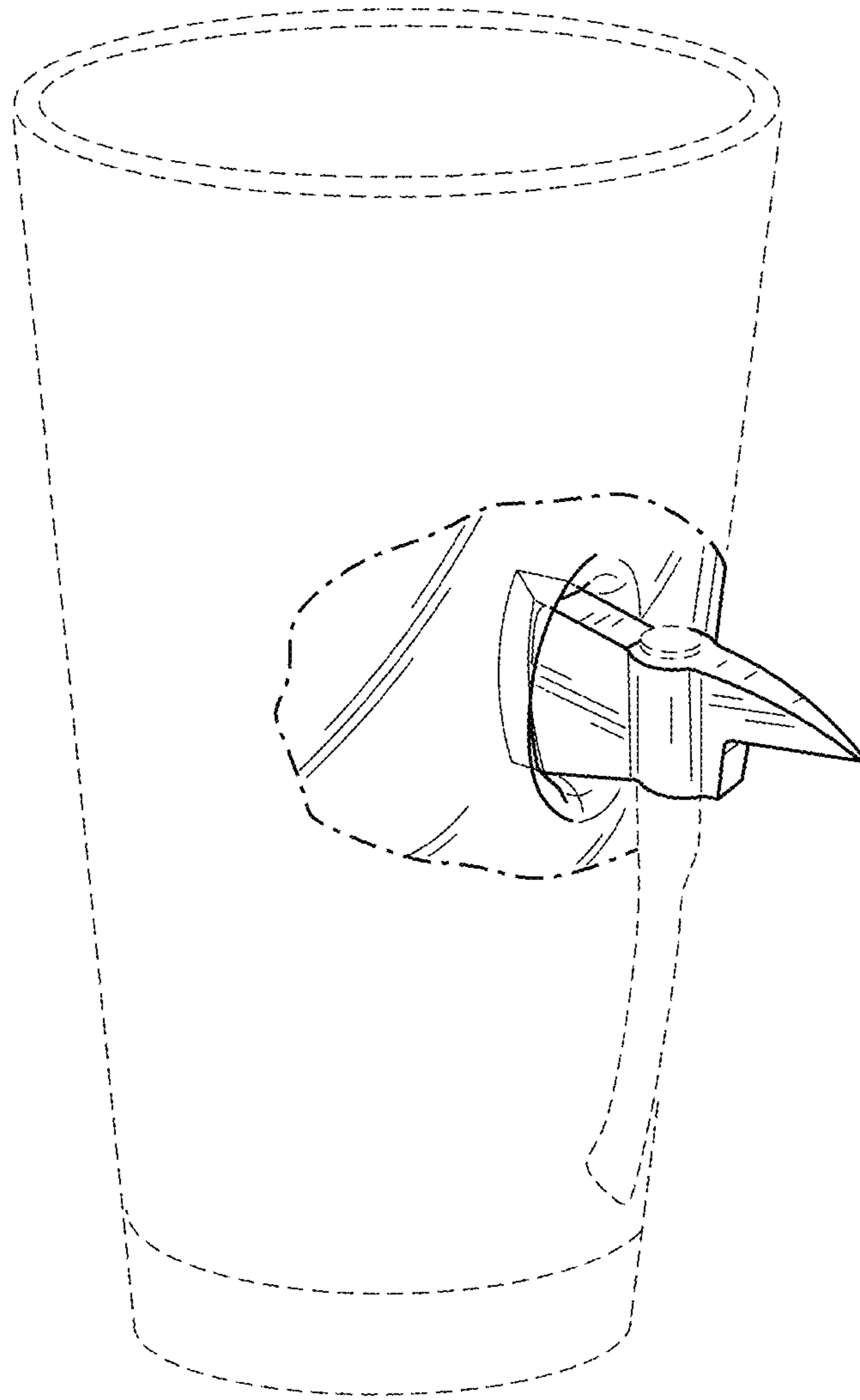


FIG. 29

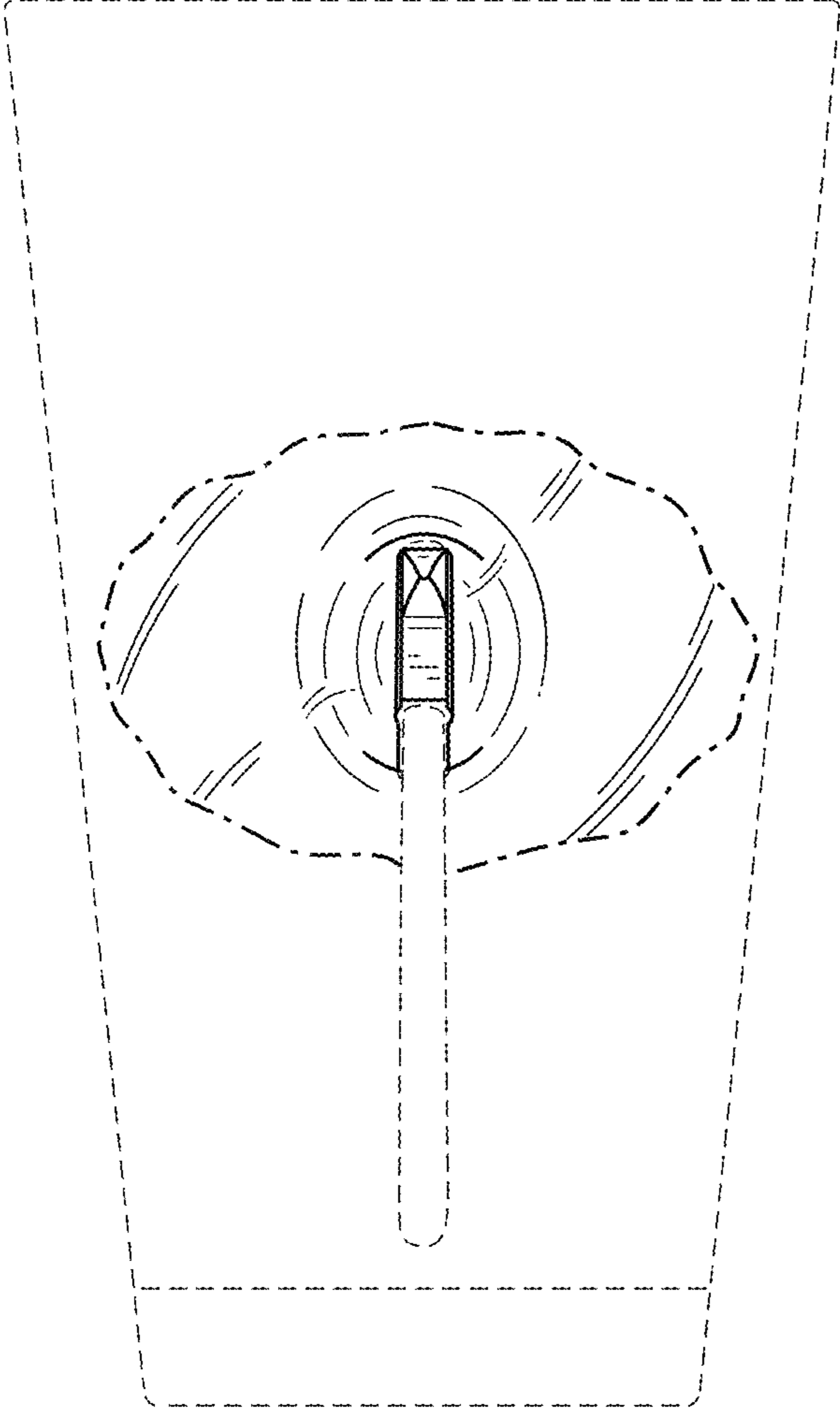


FIG. 30

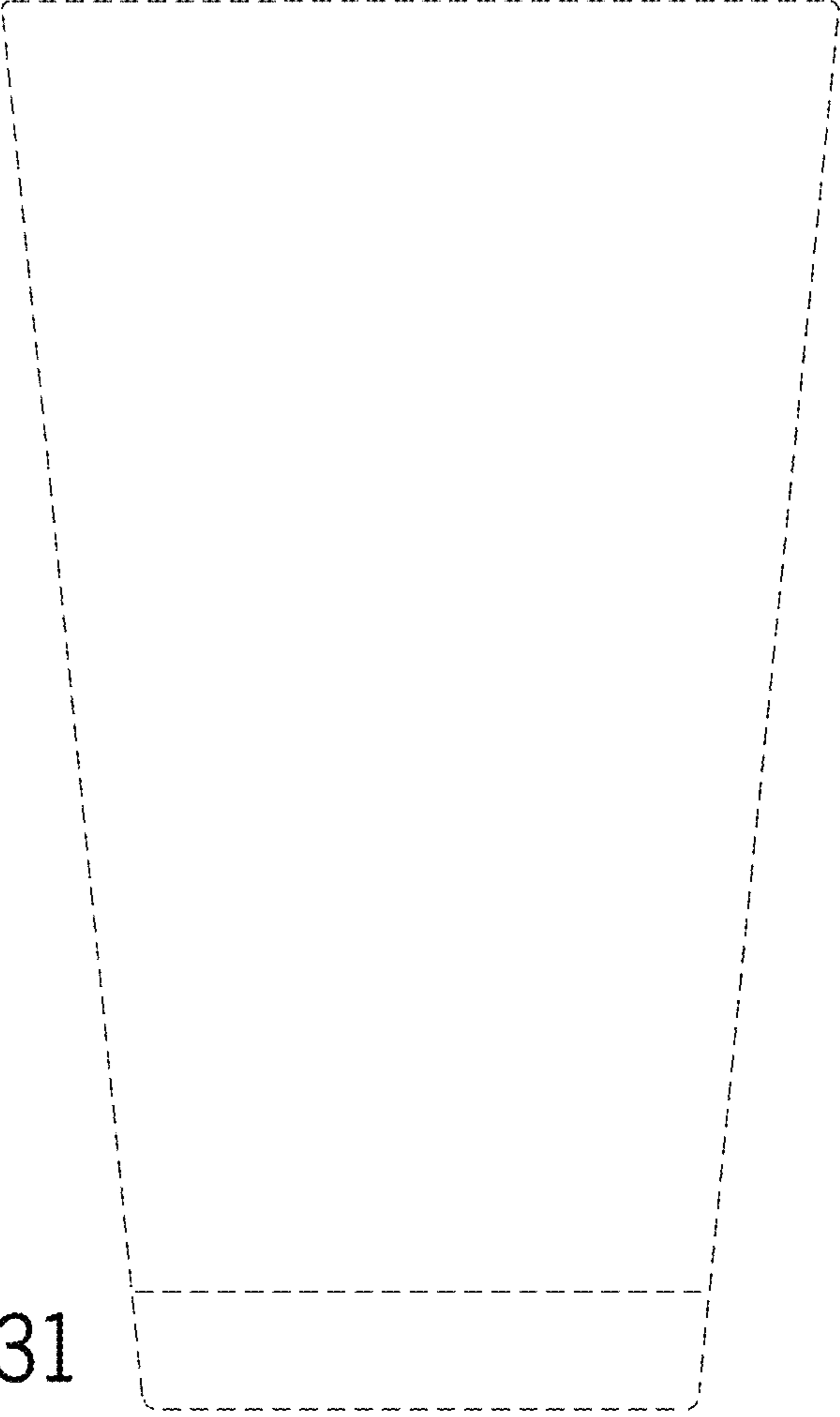


FIG. 31

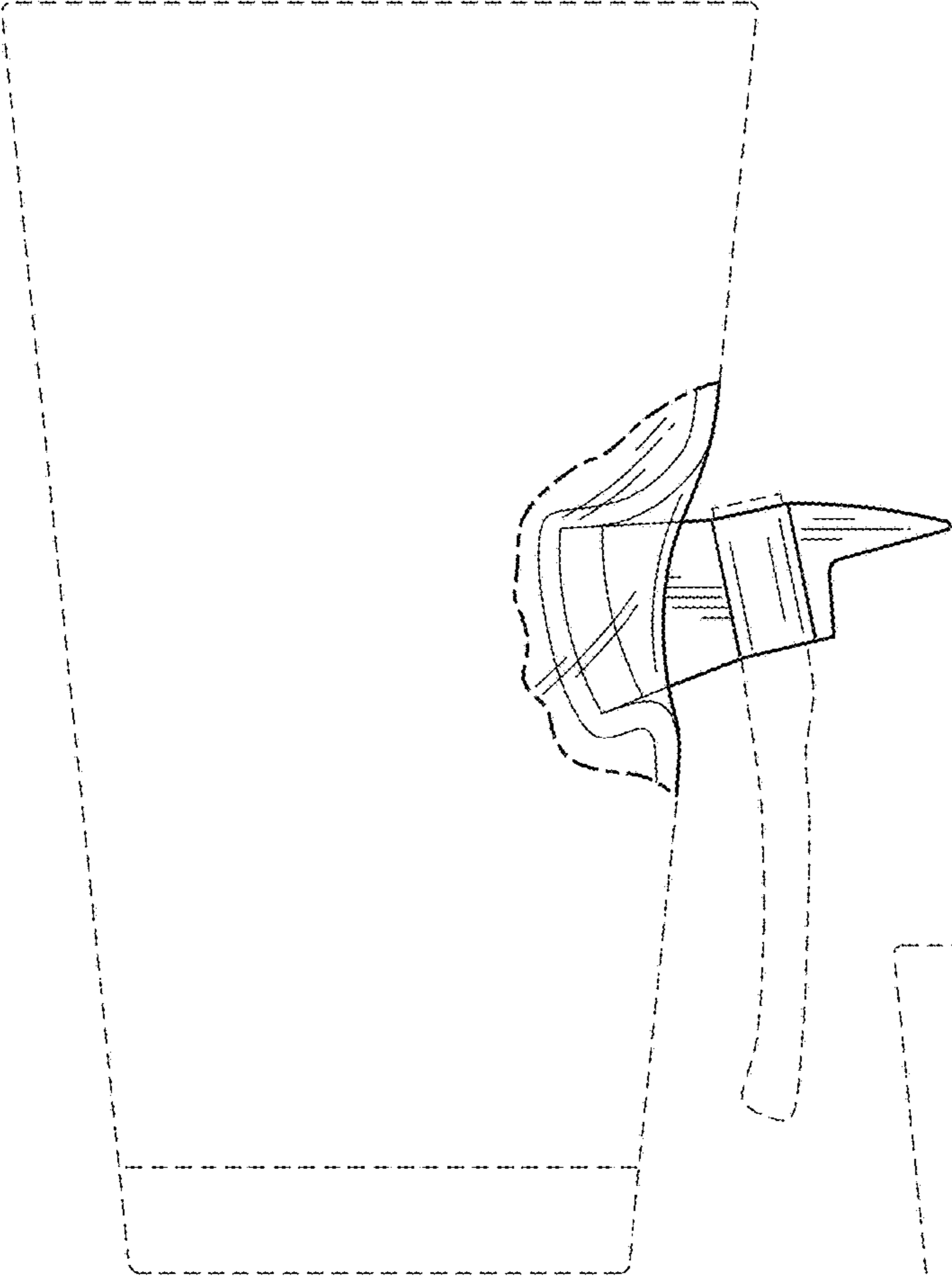


FIG. 32

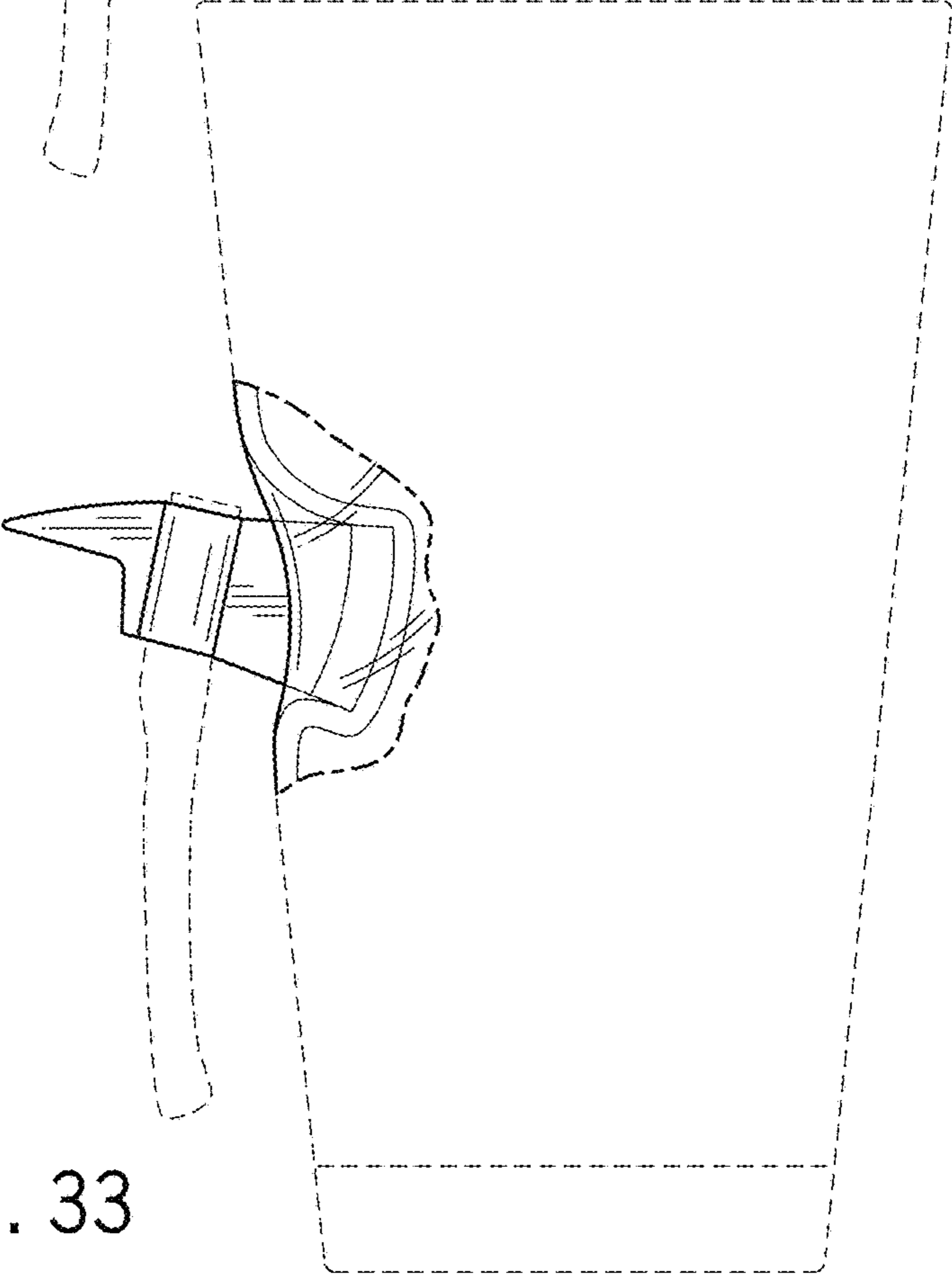


FIG. 33

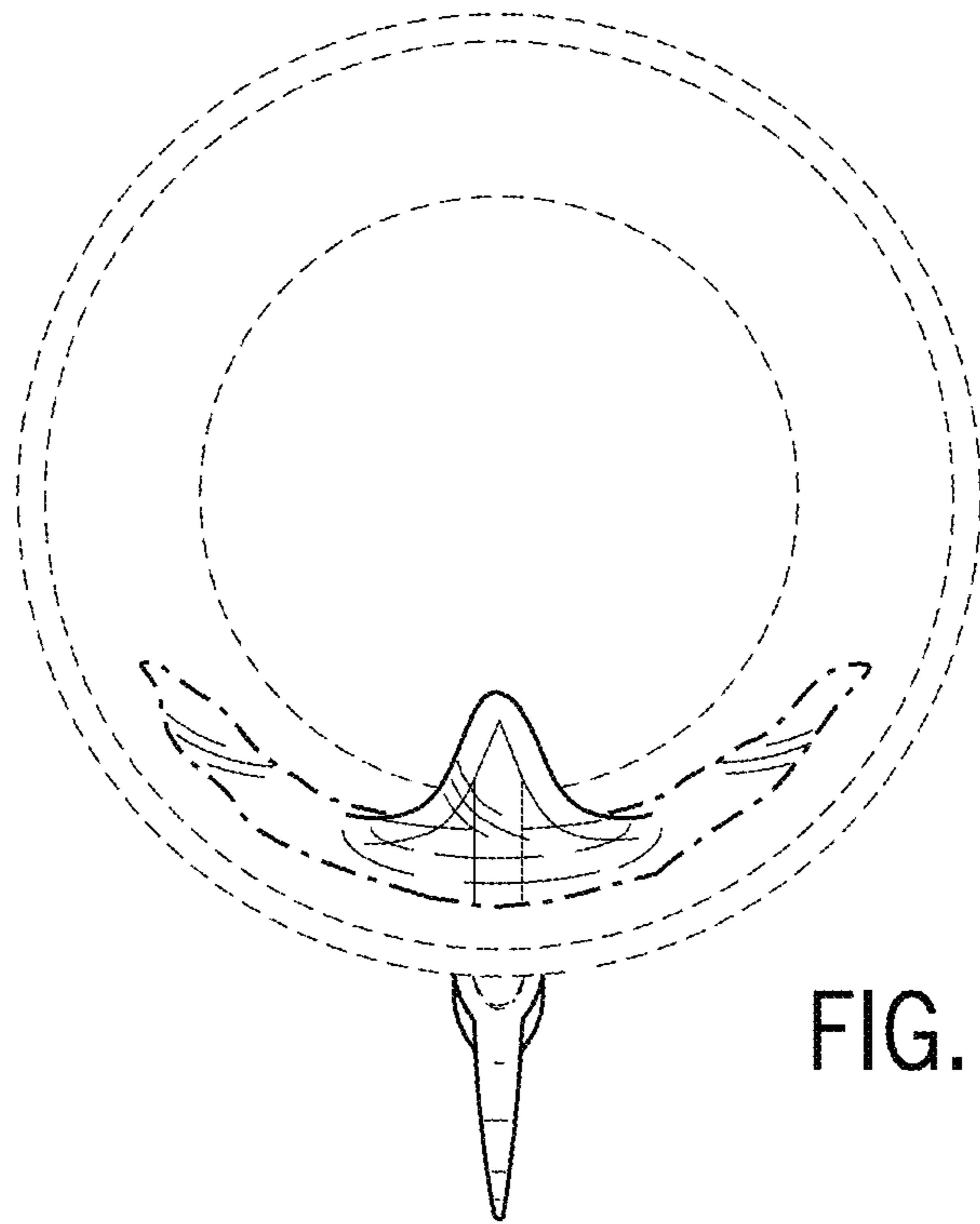


FIG. 34

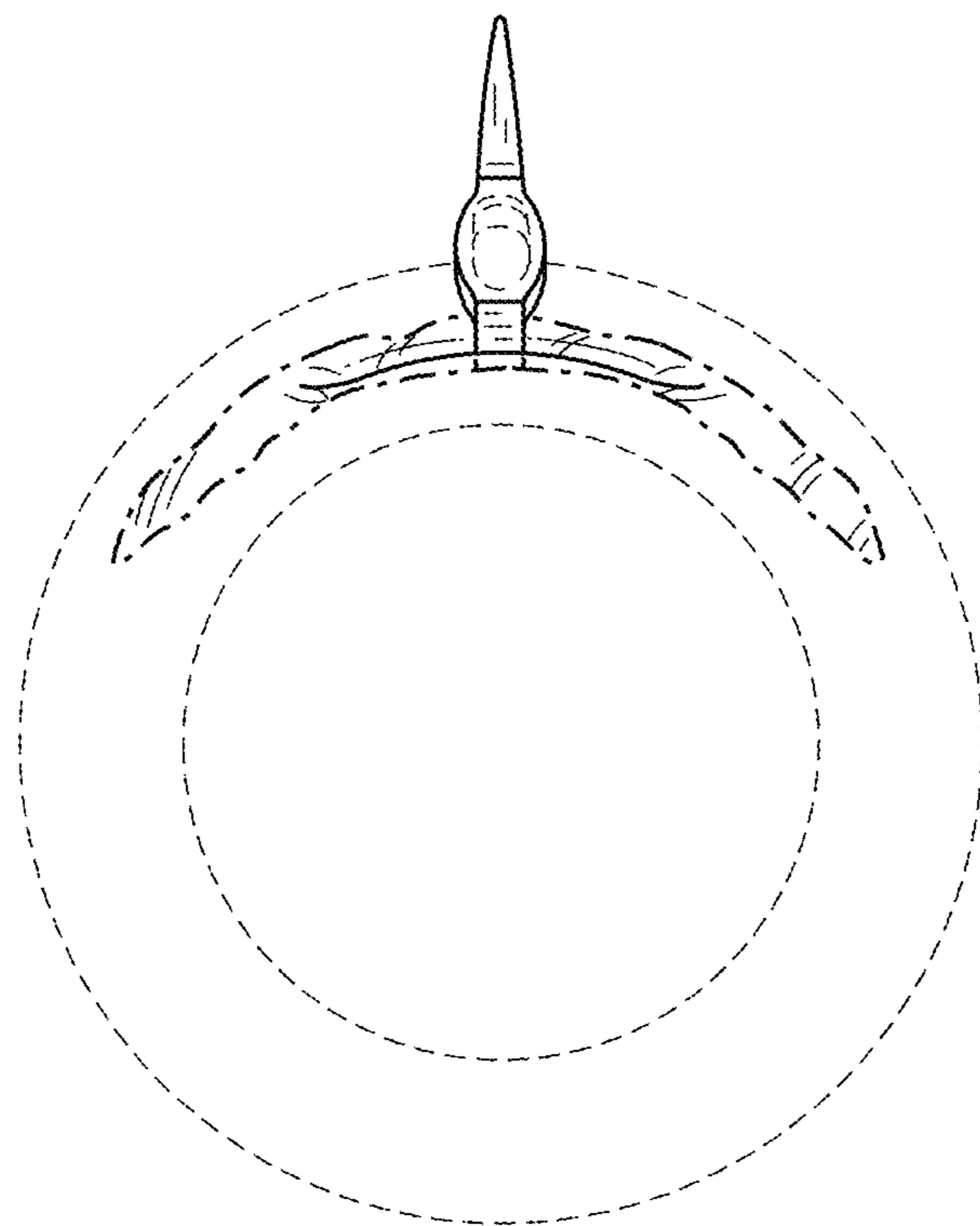


FIG. 35

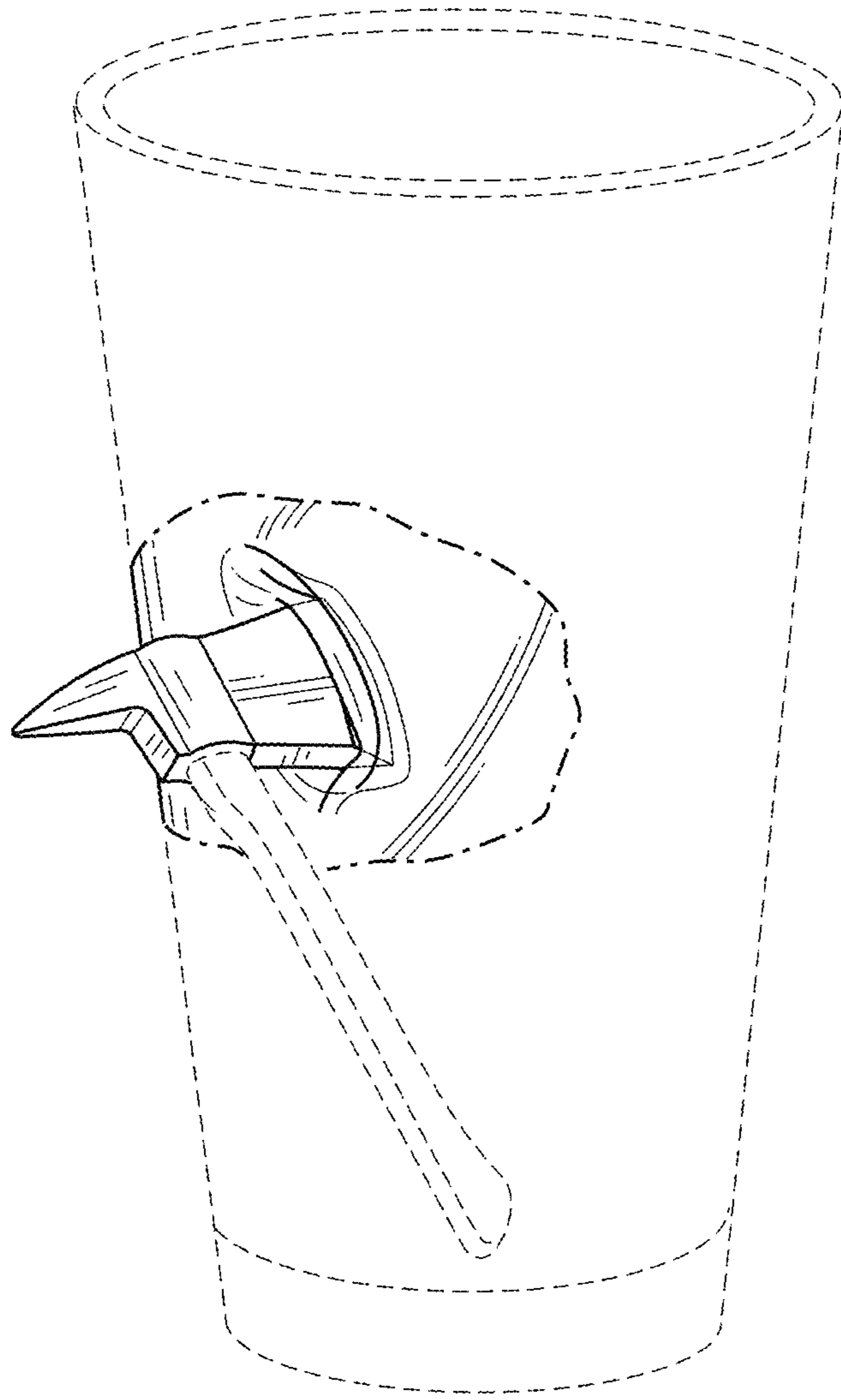


FIG. 36

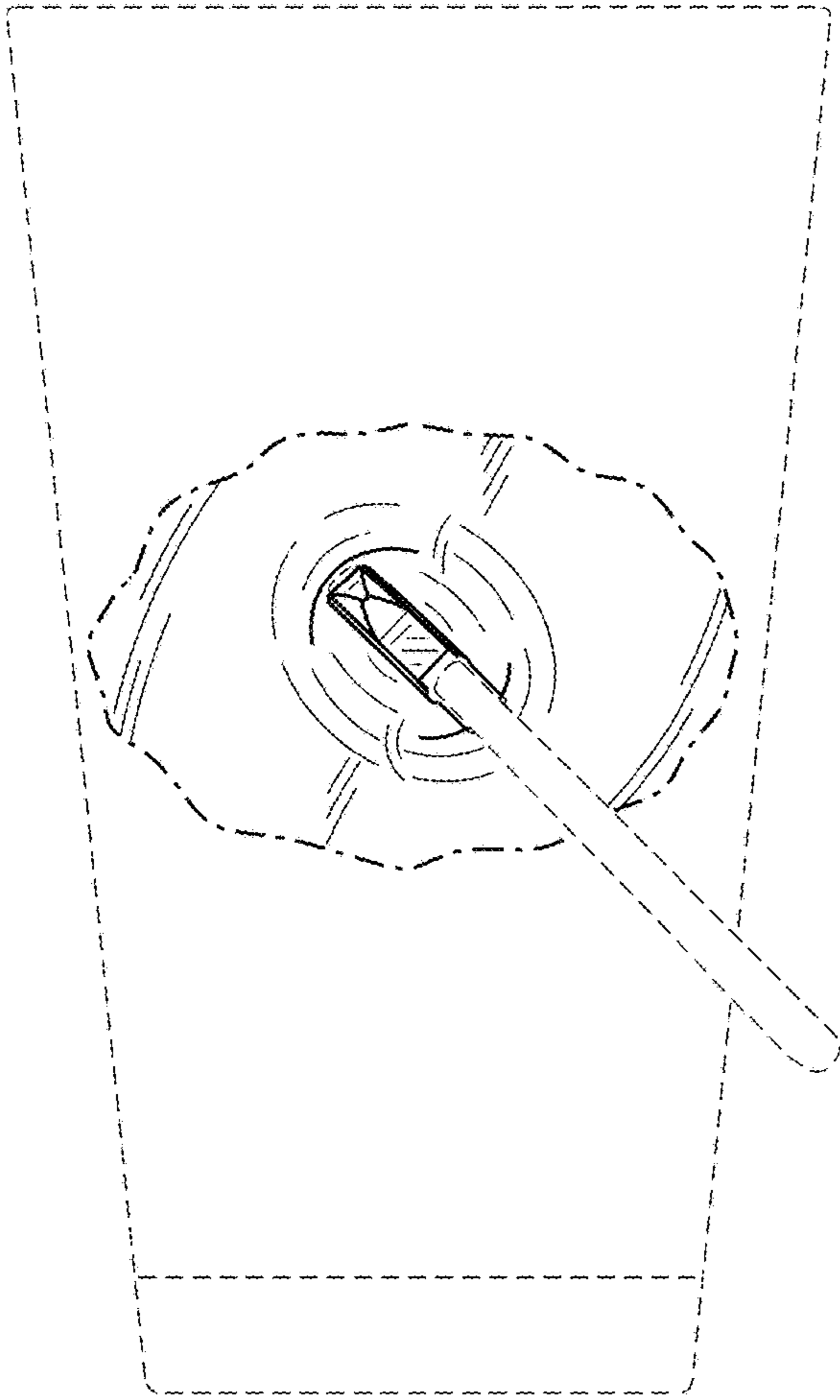


FIG. 37

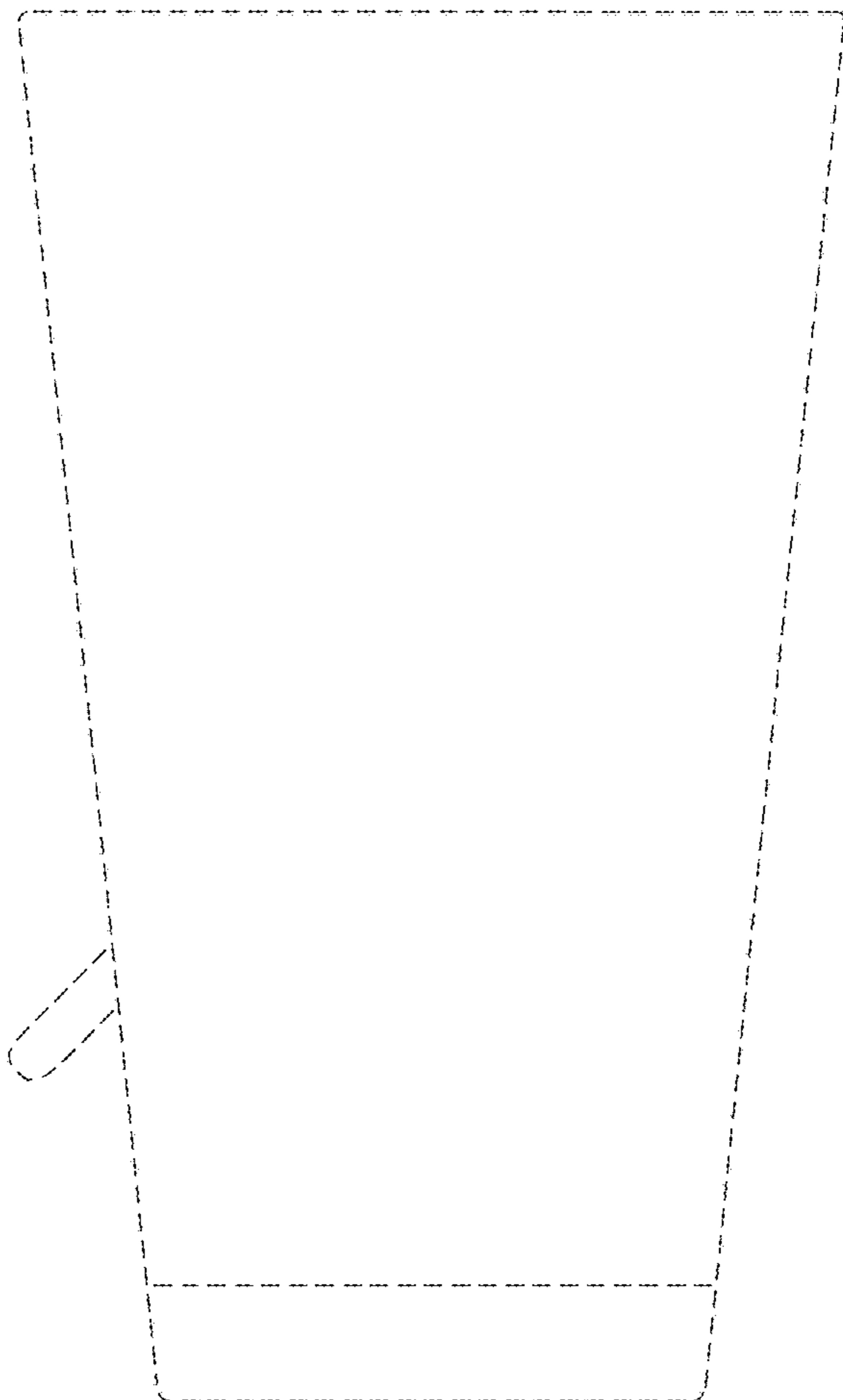


FIG. 38

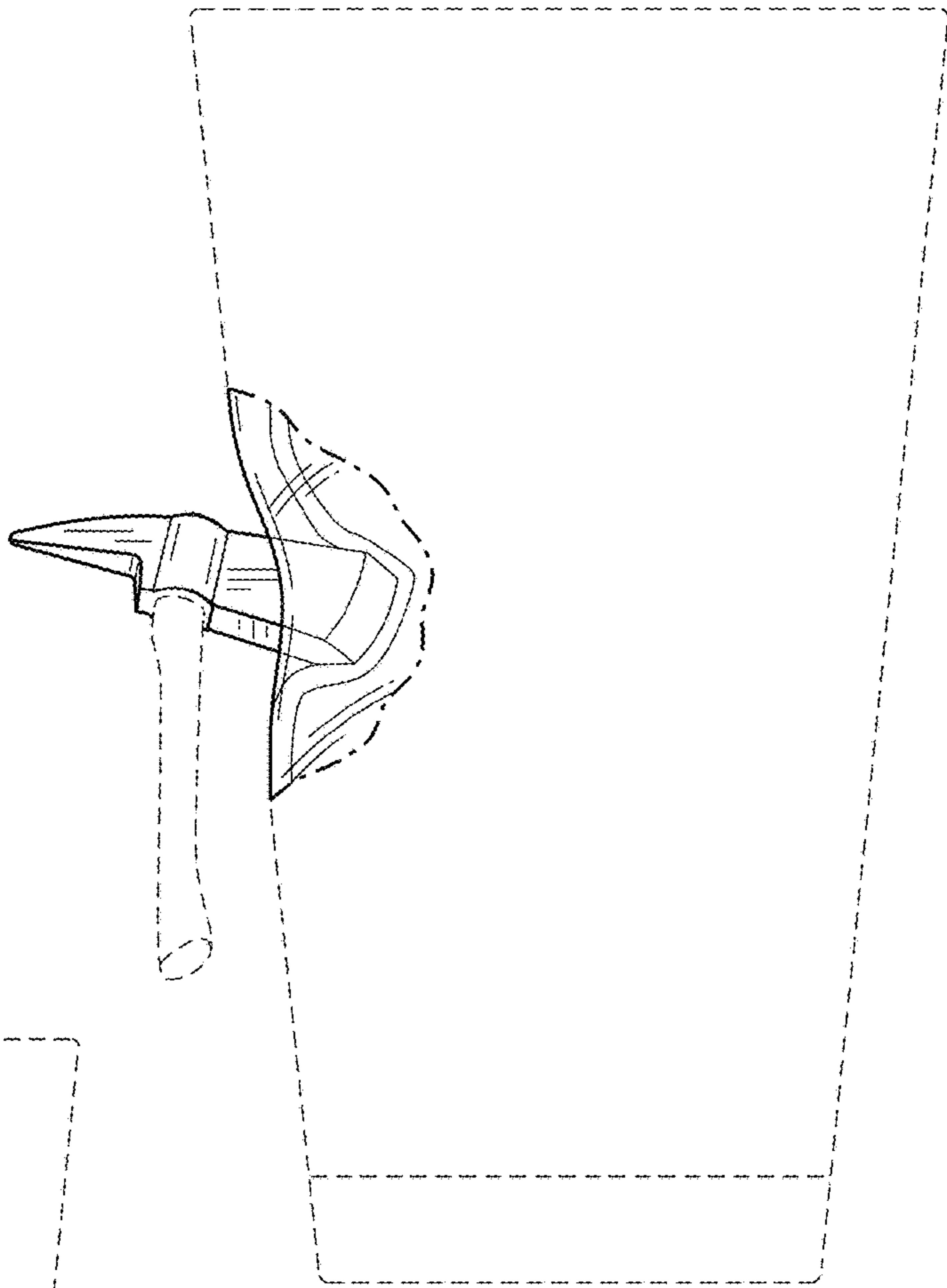


FIG. 39

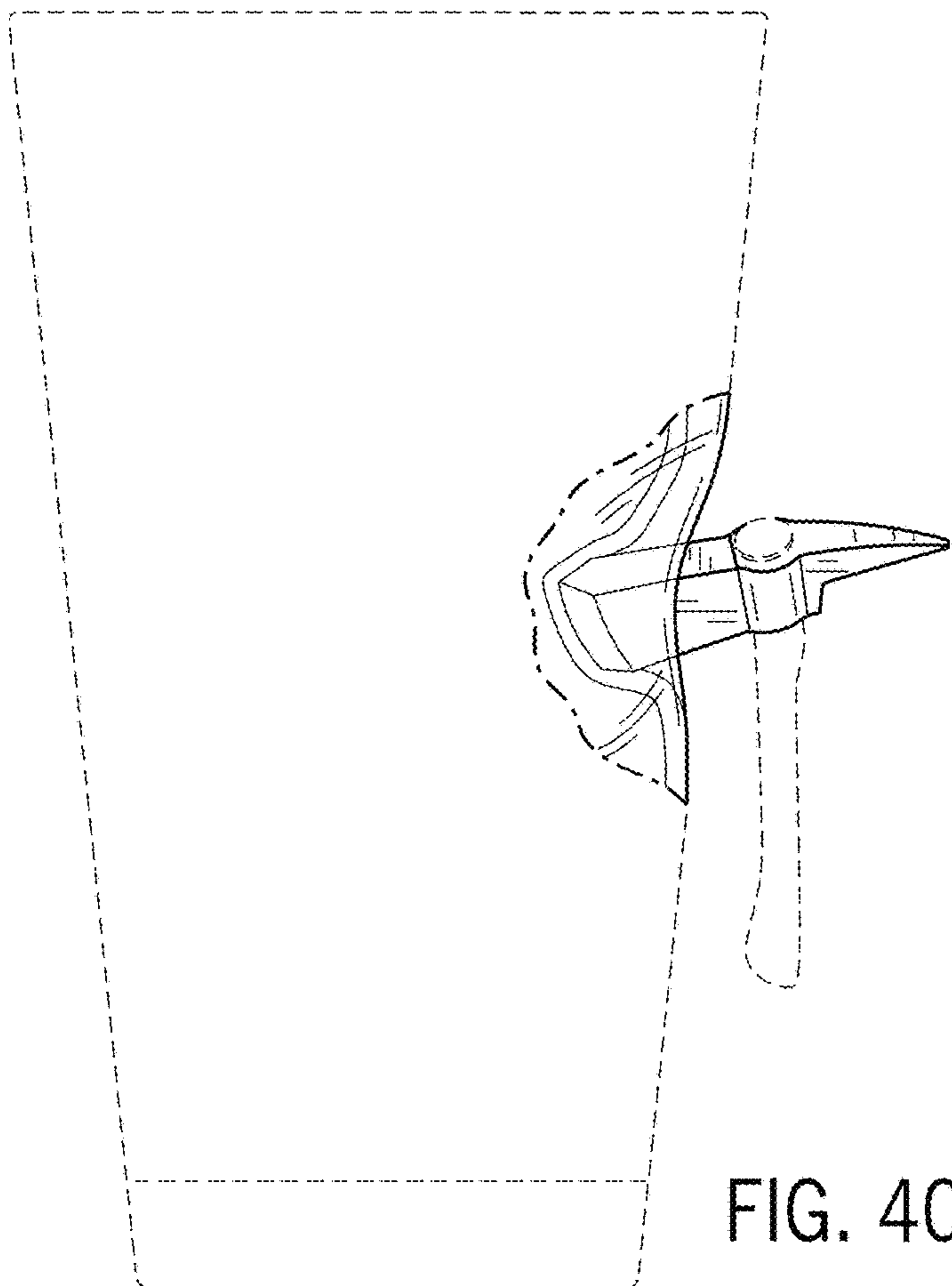


FIG. 40

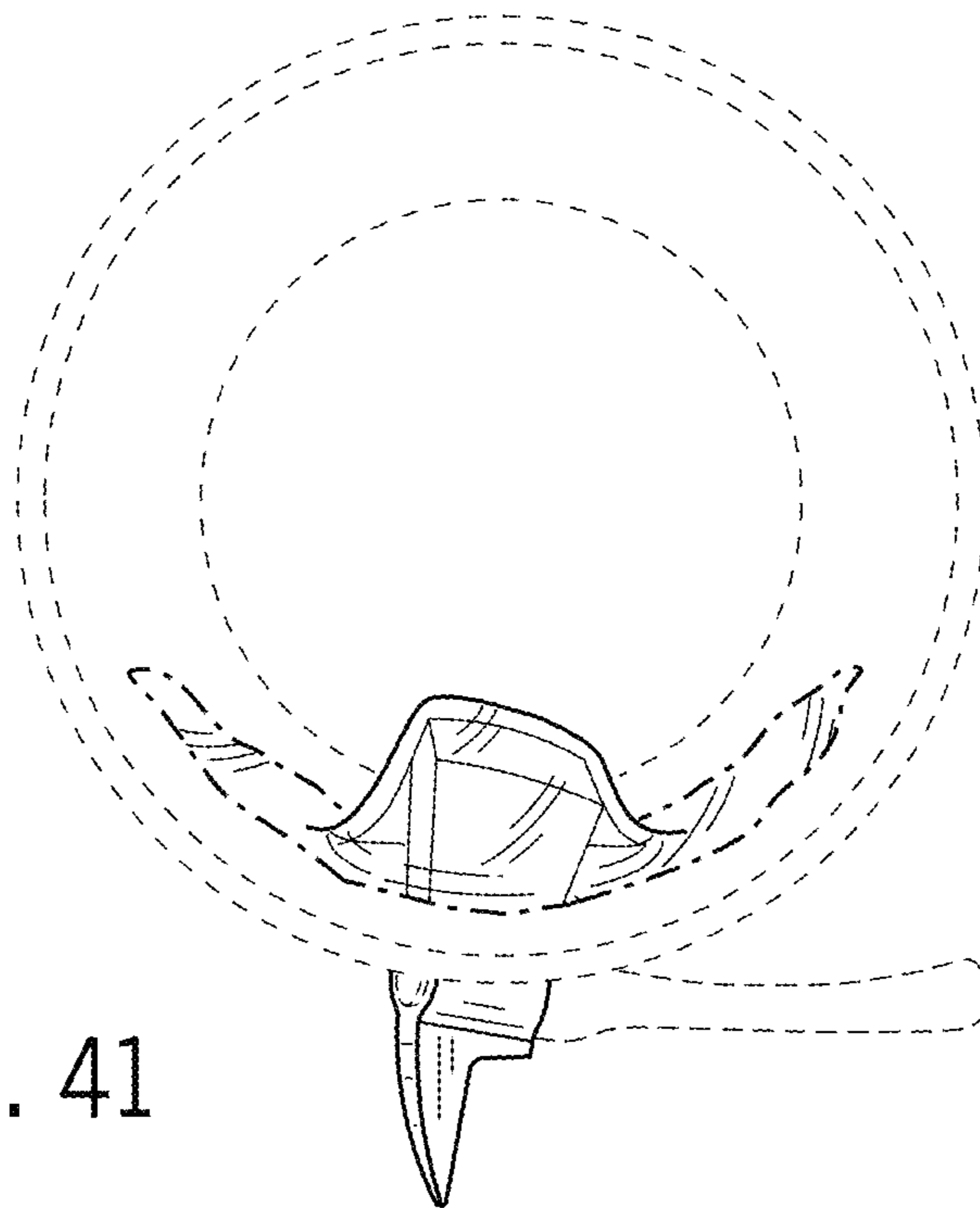


FIG. 41

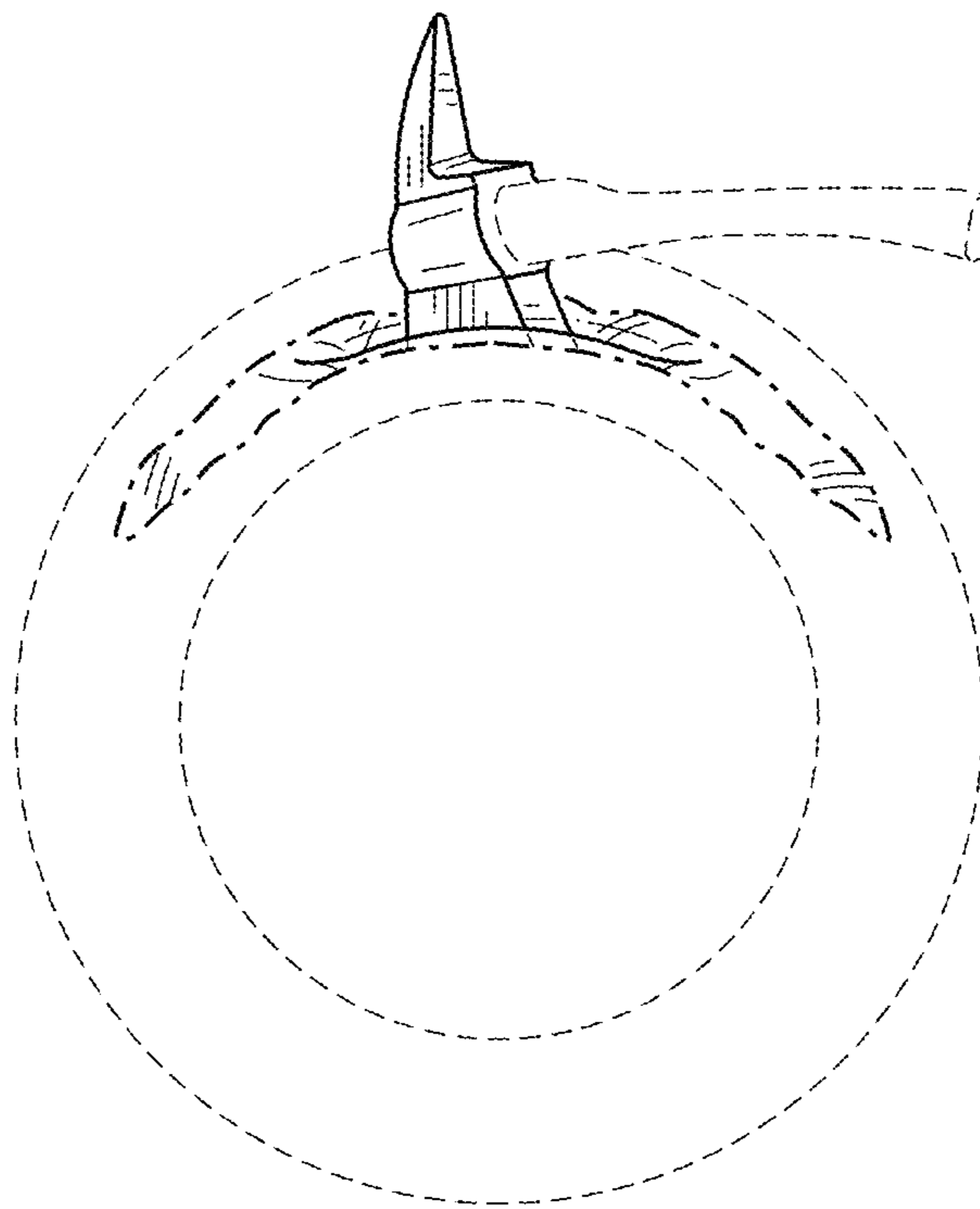


FIG. 42