



US00D933418S

(12) **United States Design Patent**
Sareault et al.

(10) **Patent No.:** **US D933,418 S**

(45) **Date of Patent:** **** Oct. 19, 2021**

(54) **CLOSEABLE TUMBLER LID**

(71) Applicant: **Helen of Troy Limited**, St. Michael (BB)

(72) Inventors: **James David Sareault**, Bend, OR (US); **Fenton Lane Stith**, Bend, OR (US)

(73) Assignee: **Helen of Troy Limited**, St. Michael (BB)

(**) Term: **15 Years**

(21) Appl. No.: **29/738,575**

(22) Filed: **Jun. 18, 2020**

(51) **LOC (13) Cl.** **09-07**

(52) **U.S. Cl.**
USPC **D7/396.2; D9/449**

(58) **Field of Classification Search**
USPC D9/439, 440, 442-449, 682, 685, 686, D9/435, 450, 454; D6/515; D7/507,
(Continued)

(56) **References Cited**

U.S. PATENT DOCUMENTS

D409,488 S * 5/1999 Mohary D9/449
D485,759 S * 1/2004 Janky D7/392.1
(Continued)

OTHER PUBLICATIONS

<https://corkcicle.com/collections/accessories/products/tumbler-lid?variant=14467810372>

(Continued)

Primary Examiner — Brett Miller

Assistant Examiner — Rani J Abdallah

(74) *Attorney, Agent, or Firm* — Rankin, Hill & Clark LLP

(57) **CLAIM**

The ornamental design for a closeable tumbler lid, as shown and described.

DESCRIPTION

FIG. 1 is a top, right side perspective view of a new, original and ornamental design for a closeable tumbler lid according to a first embodiment of the present disclosure, a slider of the tumbler lid in an open position;

FIG. 2 is a front elevation of FIG. 1;

FIG. 3 is a rear elevation view of FIG. 1;

FIG. 4 is a left side elevation view of FIG. 1;

FIG. 5 is a right side elevation view of FIG. 1;

FIG. 6 is a top plan view of FIG. 1;

FIG. 7 is a bottom plan view of FIG. 1;

FIG. 8 is a top, left side perspective view of FIG. 1;

FIG. 9 is a bottom, right side perspective view of FIG. 1;

FIG. 10 is a bottom, left side perspective view of FIG. 1;

FIG. 11 is a top, left side perspective view of the of the tumbler lid according to the first embodiment with the slider in a closed position.

FIG. 12 is a top, right side perspective view of FIG. 11;

FIG. 13 is a top plan view of FIG. 11;

FIG. 14 is a bottom plan view of FIG. 11;

FIG. 15 is a top, right side perspective view of a new, original and ornamental design for a closeable tumbler lid according to a second embodiment of the present disclosure, a slider of the tumbler lid in an open position;

FIG. 16 is a front elevation of FIG. 15;

FIG. 17 is a rear elevation view of FIG. 15;

FIG. 18 is a left side elevation view of FIG. 15;

FIG. 19 is a right side elevation view of FIG. 15;

FIG. 20 is a top plan view of FIG. 15;

FIG. 21 is a bottom plan view of FIG. 15;

FIG. 22 is a top, left side perspective view of FIG. 15;

FIG. 23 is a bottom, right side perspective view of FIG. 15;

FIG. 24 is a bottom, left side perspective view of FIG. 15;

FIG. 25 is a top, right side perspective view of the of the tumbler lid according to the second embodiment with the slider in a closed position.

FIG. 26 is a top, left side perspective view of FIG. 25;

FIG. 27 is a top plan view of FIG. 25;

(Continued)

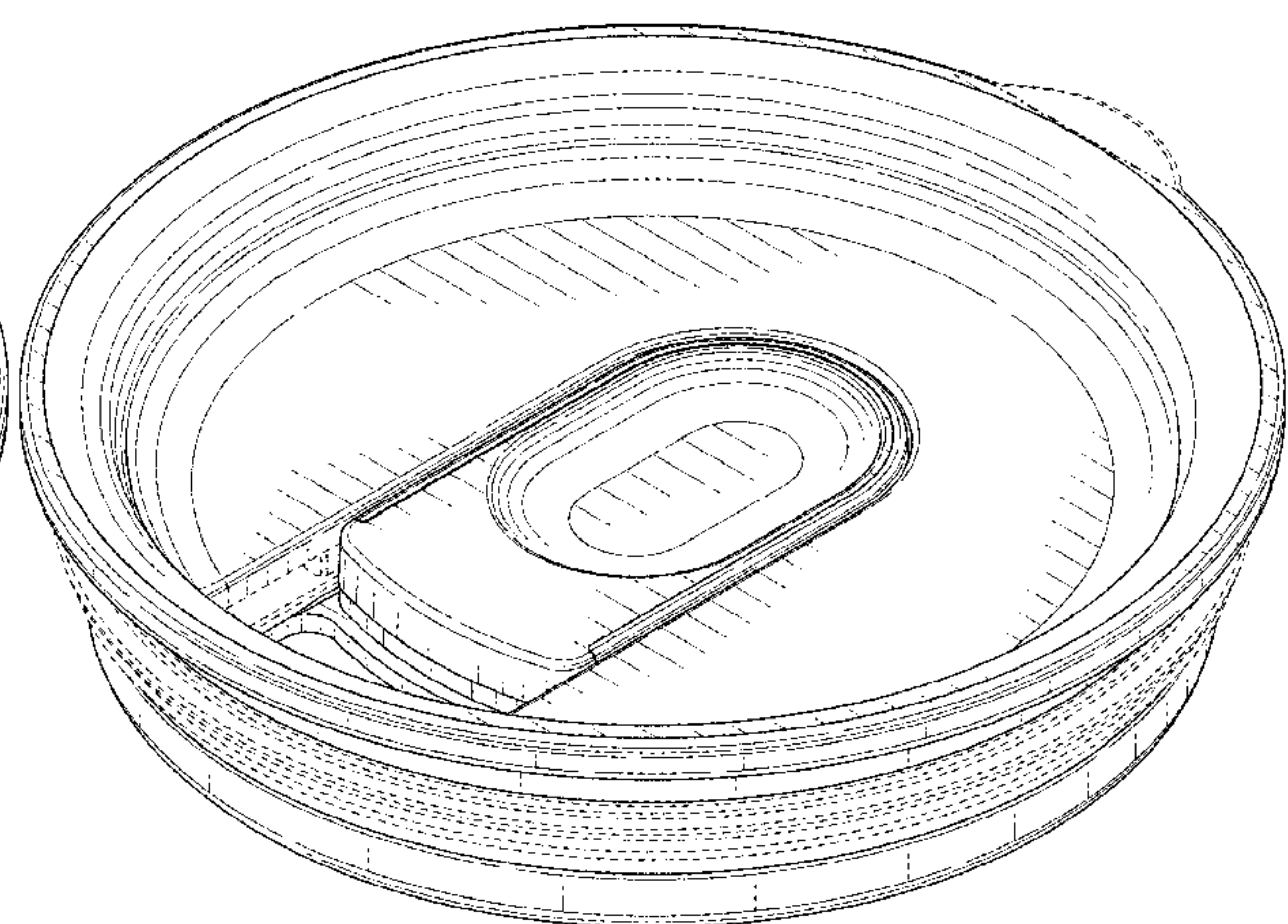
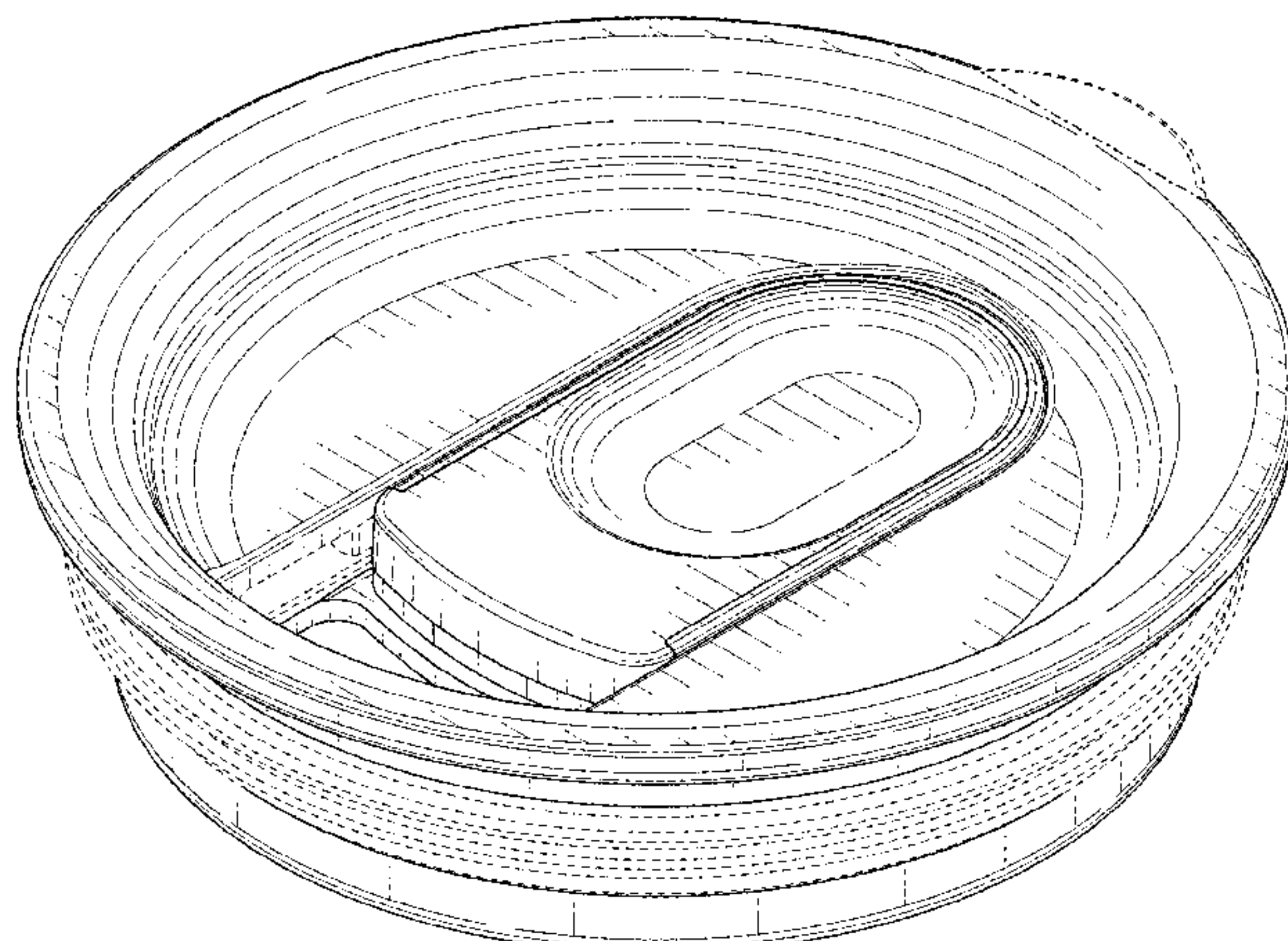


FIG. 28 is a bottom plan view of FIG. 25;
 FIG. 29 is a top, right side perspective view of a new, original and ornamental design for a closeable tumbler lid according to a third embodiment of the present disclosure, a slider of the tumbler lid in an open position;
 FIG. 30 is a front elevation of FIG. 29;
 FIG. 31 is a rear elevation view of FIG. 29;
 FIG. 32 is a left side elevation view of FIG. 29;
 FIG. 33 is a right side elevation view of FIG. 29;
 FIG. 34 is a top plan view of FIG. 29;
 FIG. 35 is a bottom plan view of FIG. 29;
 FIG. 36 is a top, left side perspective view of FIG. 29;
 FIG. 37 is a bottom, right side perspective view of FIG. 29;
 FIG. 38 is a bottom, left side perspective view of FIG. 29;
 FIG. 39 is a top, right side perspective view of the of the tumbler lid according to the third embodiment with the slider in a closed position.
 FIG. 40 is a top, left side perspective view of FIG. 39;
 FIG. 41 is a top plan view of FIG. 39; and,
 FIG. 42 is a bottom plan view of FIG. 39.
 The dash-dot broken lines in the drawings represent boundaries of the claim and form no part of the claimed design.
 The dash-dash broken lines in the drawings depict portions of the closeable tumbler lid that form no part of the claimed design.

1 Claim, 36 Drawing Sheets

(58) Field of Classification Search

USPC ... D7/509–511, 523, 391, 392, 392.1, 396.2, D7/605, 608, 900
 CPC B65D 83/205; B65D 83/206; B65D 83/40; B65D 2543/00046; A47G 19/2272
 See application file for complete search history.

(56) References Cited

U.S. PATENT DOCUMENTS

D583,191 S 12/2008 Wong
 D591,556 S 5/2009 Fuller
 7,611,029 B2 11/2009 Wong
 D625,951 S 10/2010 Baek

D691,416 S * 10/2013 Eyal D7/396.2
 D696,940 S * 1/2014 Hale D9/447
 9,238,529 B1 1/2016 Newman
 D751,338 S 3/2016 Seiders
 D751,339 S 3/2016 Seiders
 D751,340 S 3/2016 Seiders
 9,351,597 B2 5/2016 Liu
 D761,619 S 7/2016 Seiders
 D789,737 S * 6/2017 Eyal D7/396.2
 D790,272 S 6/2017 Han
 D801,746 S * 11/2017 Thuma D7/392.1
 D810,511 S * 2/2018 Harrington, III D7/511
 D811,817 S * 3/2018 Harrington, III D7/510
 D820,045 S 6/2018 Harrington, III
 D822,428 S * 7/2018 Thuma D7/392.1
 D824,212 S 7/2018 Seiders
 10,124,942 B2 11/2018 Seiders
 D839,049 S * 1/2019 Seiders D7/510
 10,232,992 B2 3/2019 Seiders
 10,232,993 B2 3/2019 Seiders
 D845,064 S * 4/2019 Mulhauser D7/392.1
 D849,482 S * 5/2019 Diener D7/510
 D850,191 S * 6/2019 Jacobsen D7/396.2
 D850,192 S * 6/2019 Jacobsen D7/396.2
 10,306,921 B2 6/2019 Hermans
 D857,443 S * 8/2019 Hill D7/392.1
 D862,178 S * 10/2019 Callinan D7/608
 D875,471 S 2/2020 Cheng
 D882,334 S * 4/2020 Henkel D7/396.2
 D886,514 S * 6/2020 Kander D7/392.1
 D896,040 S * 9/2020 Callinan D7/608
 D917,955 S * 5/2021 Yao D7/392
 D923,400 S * 6/2021 Wang D7/396.2
 D927,934 S * 8/2021 Jianyi D7/510
 2016/0270572 A1 9/2016 Karussi
 2017/0121074 A1 * 5/2017 Seiders A47G 19/2272
 2018/0014671 A1 1/2018 Karussi
 2018/0289185 A1 10/2018 Oakes

OTHER PUBLICATIONS

<https://www.amazon.com/SUNWILL-Tumbler-Stainless-Insulated-Durable/dp/B07MV6Z896>.
<https://www.elloproducts.com/travel-mugs/jane-18oz-ceramic-travel-mug-with-spill-resistant-slider-lid>.
<https://www.ecovessel.com/collections/accessories/products/16oz-metro-lid?variant=8430182924332>.
<https://www.fiftyfiftybottles.com/collections/accessories/products/tumbler-replacement-lid>.

* cited by examiner

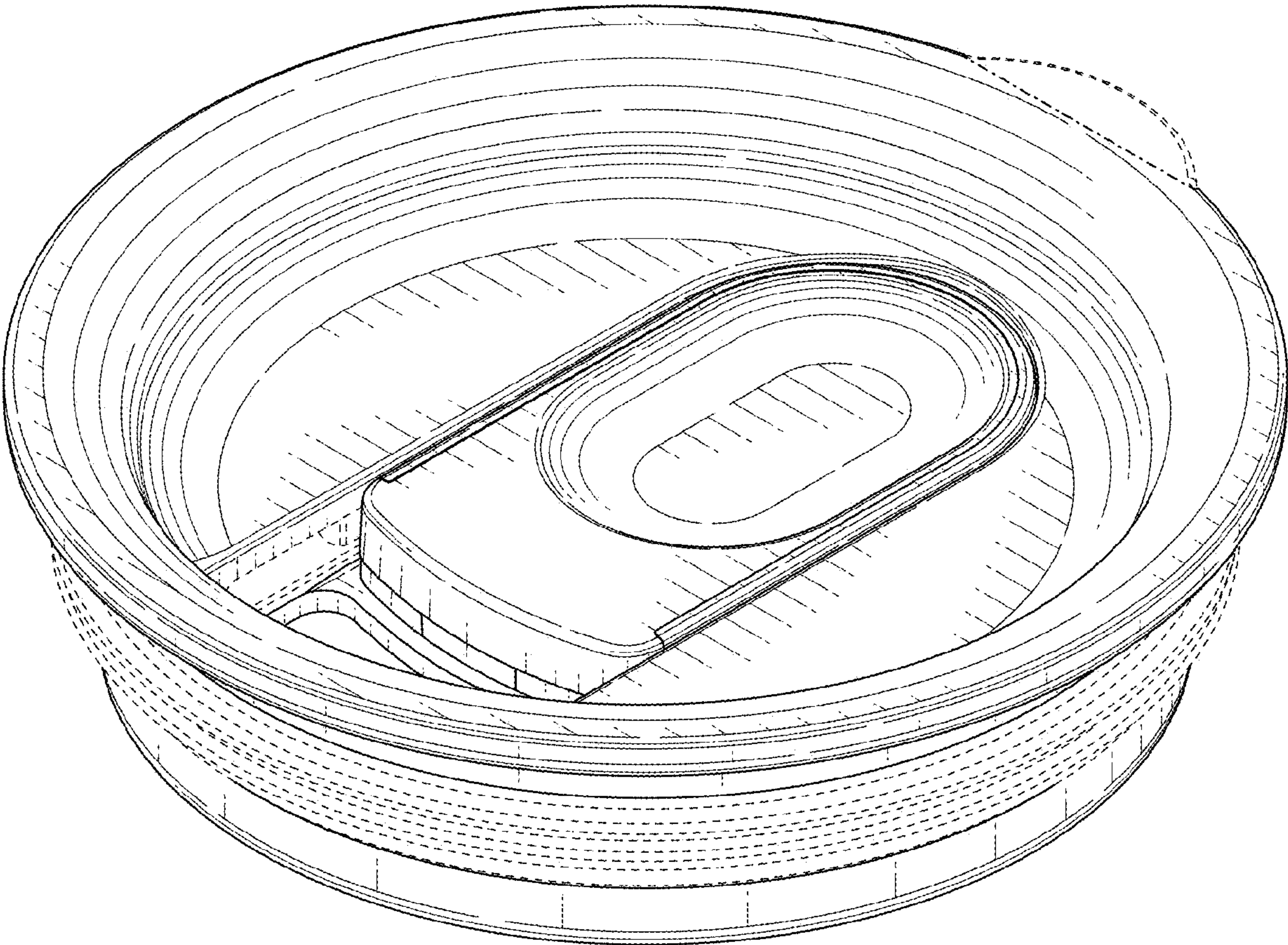


FIG. 1

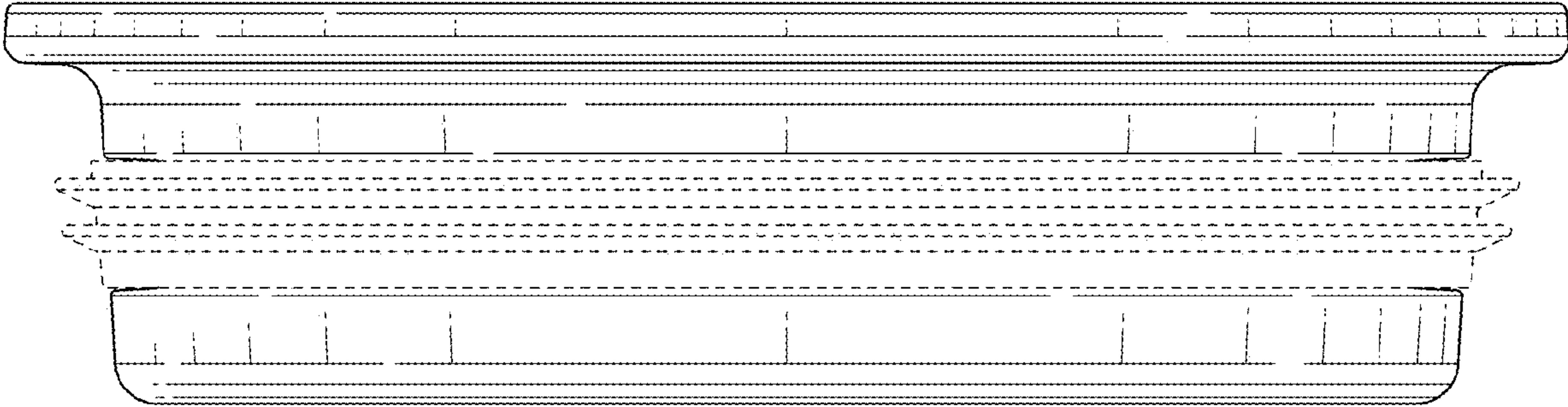


FIG. 2

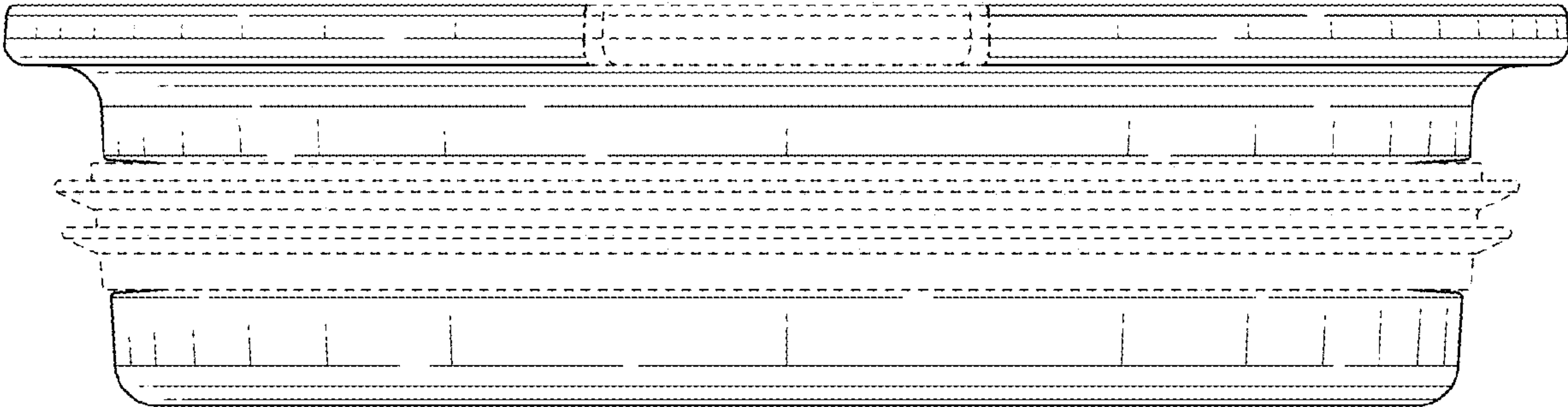


FIG. 3

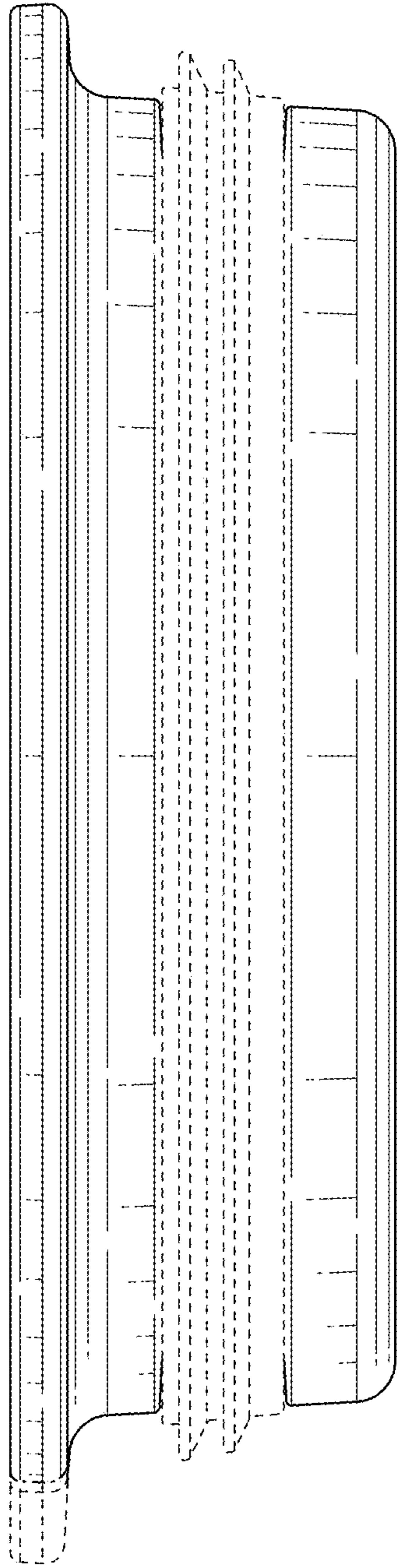


FIG. 4

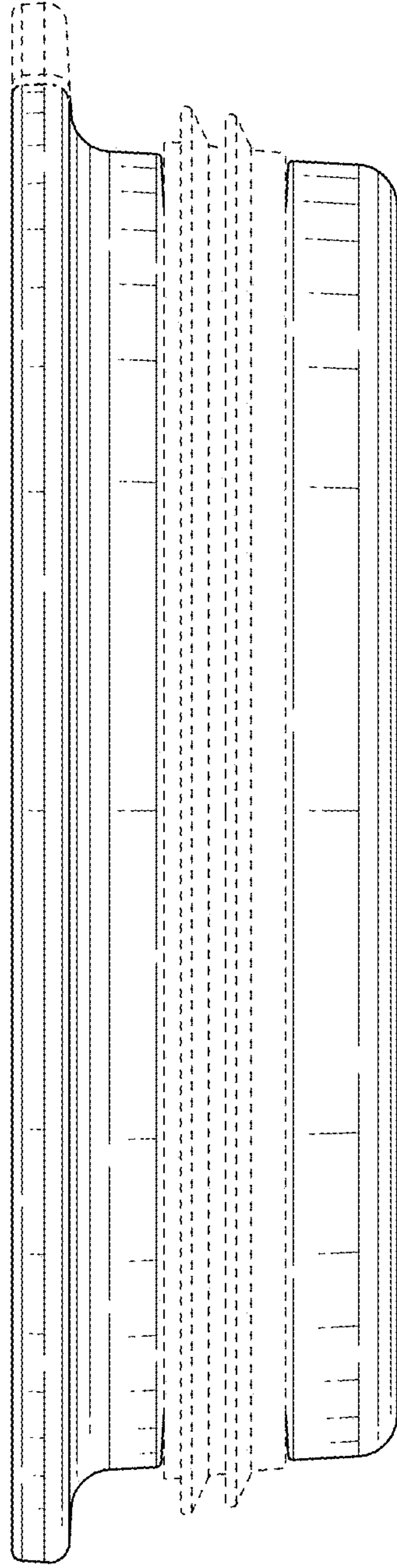


FIG. 5

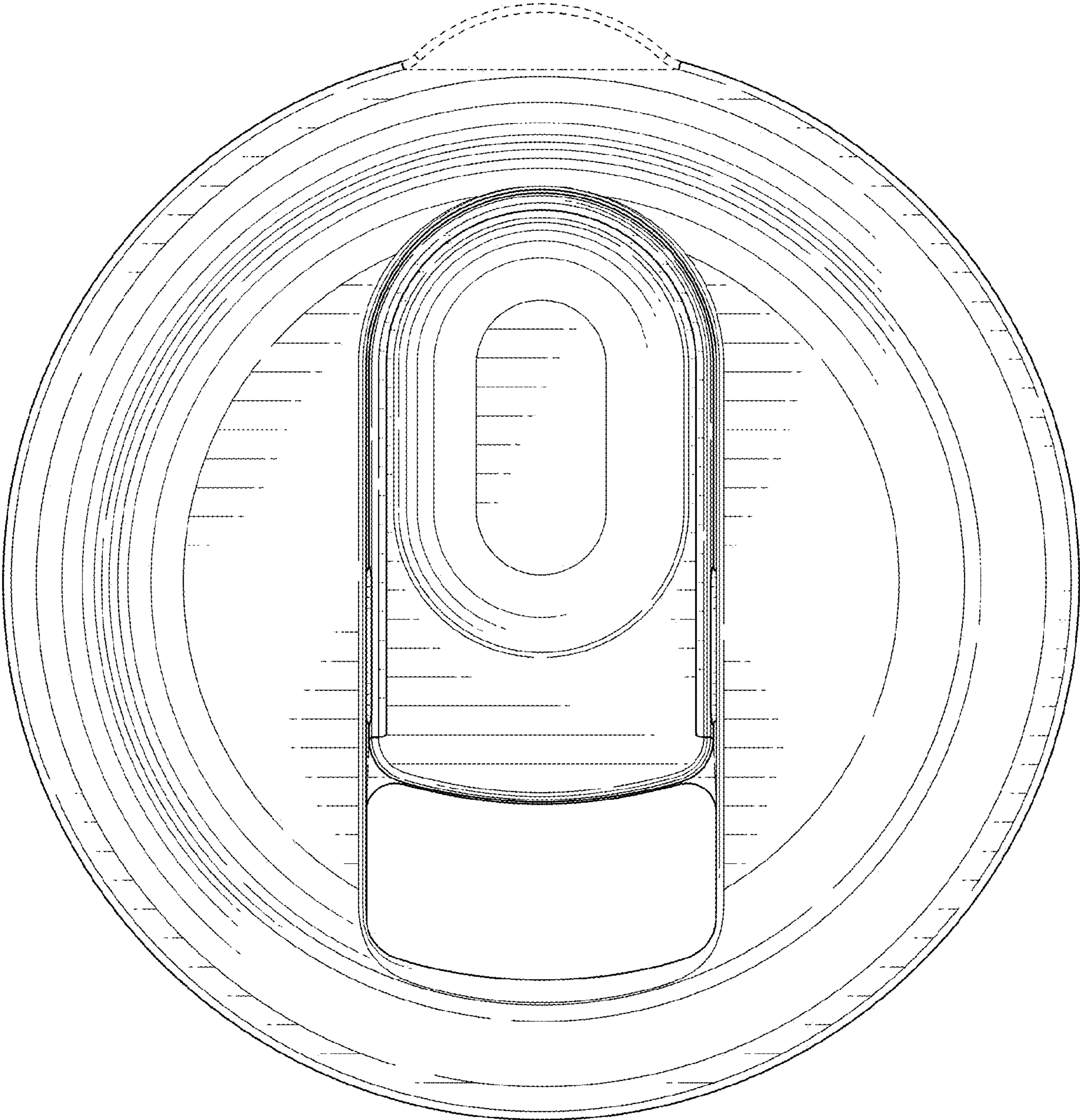


FIG. 6

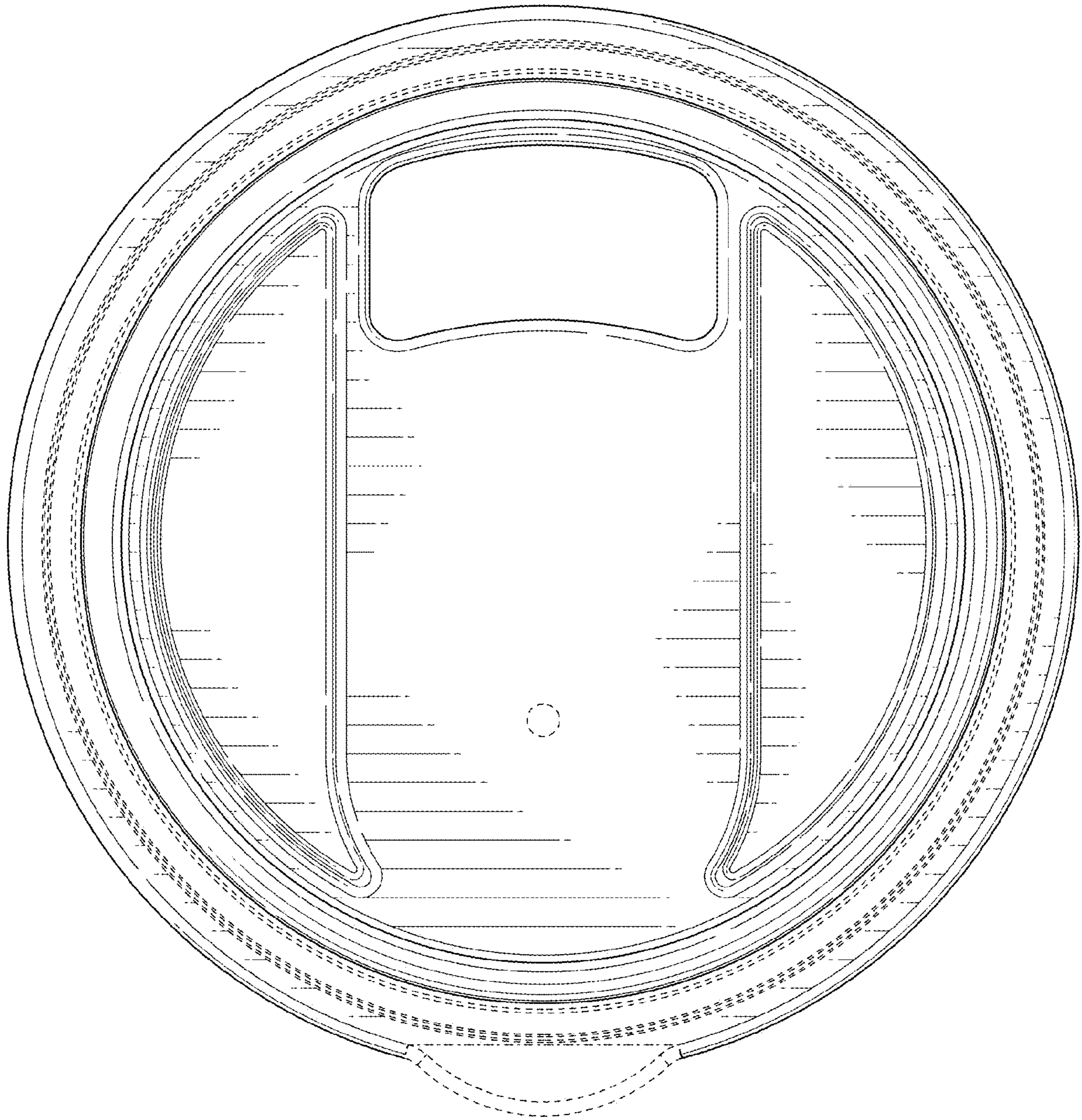


FIG. 7

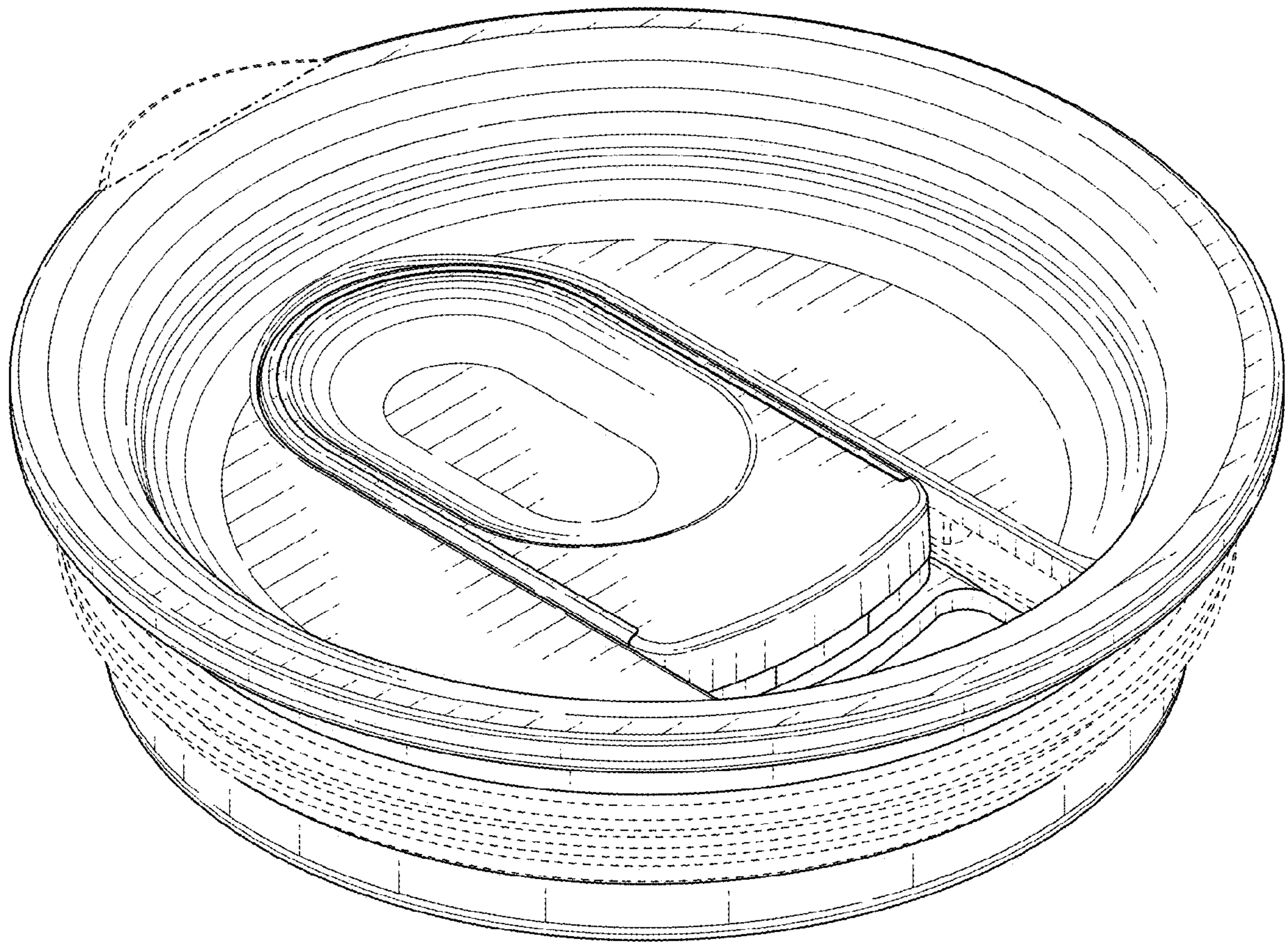


FIG. 8

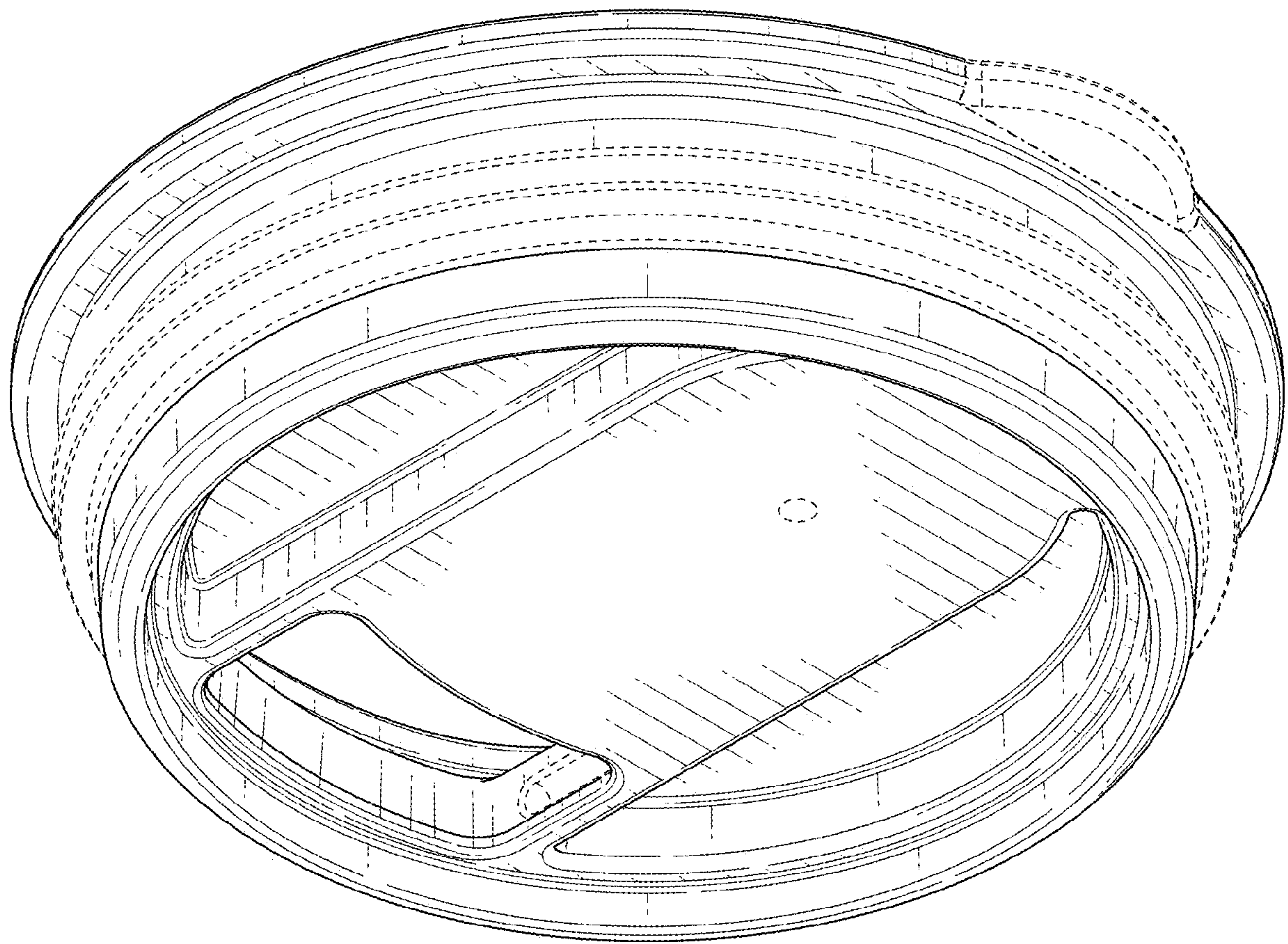


FIG. 9

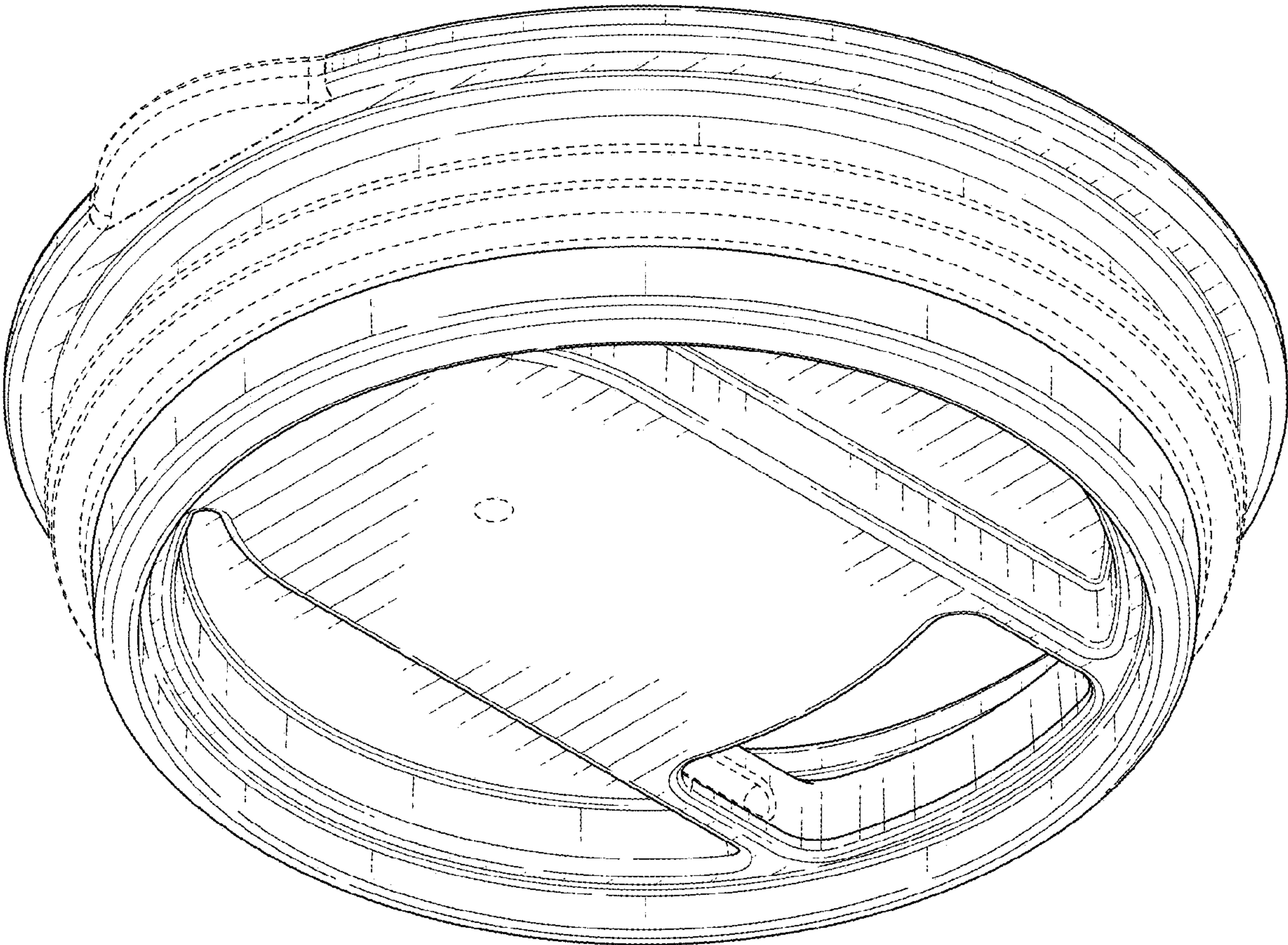


FIG. 10

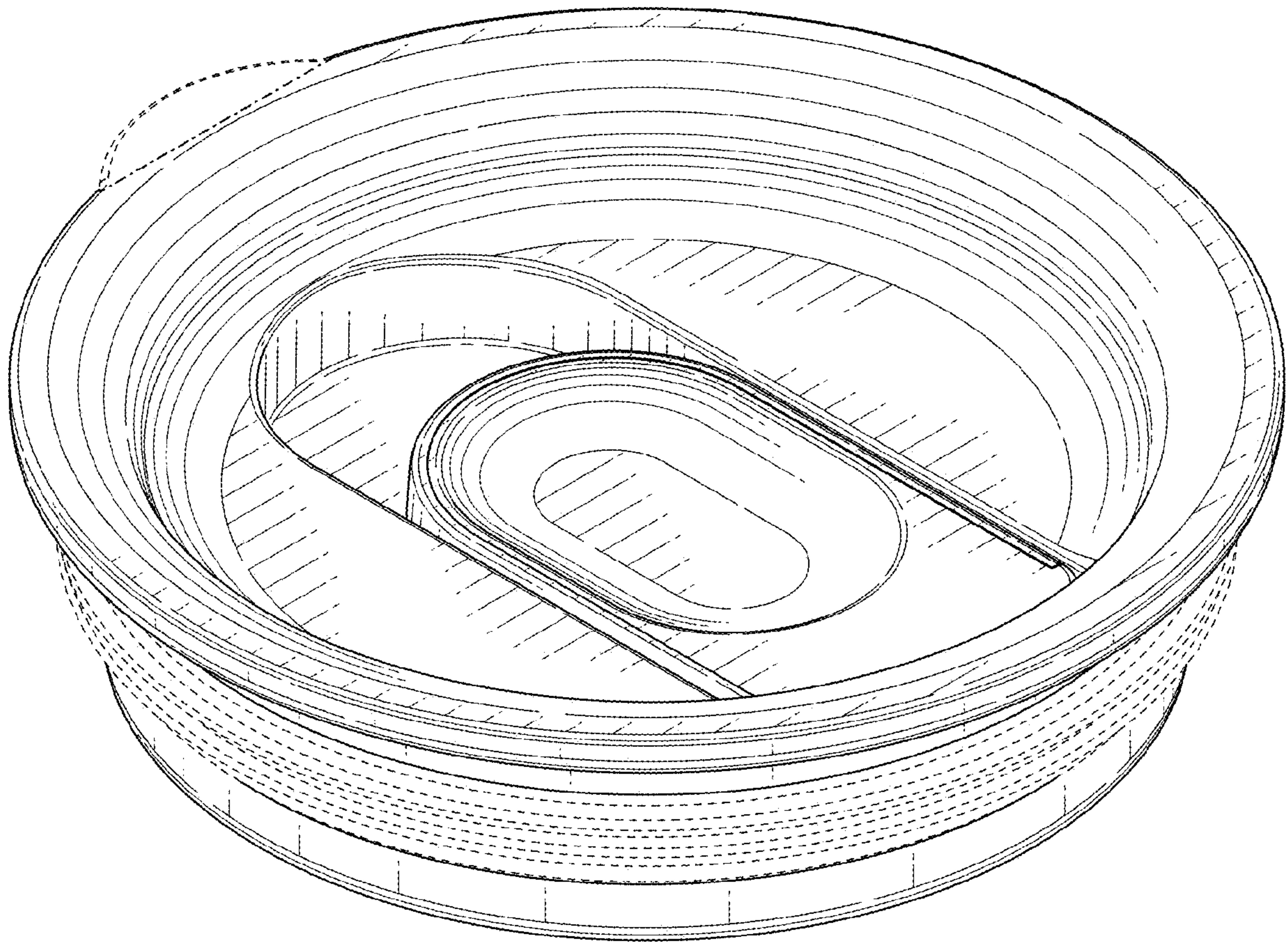


FIG. 11

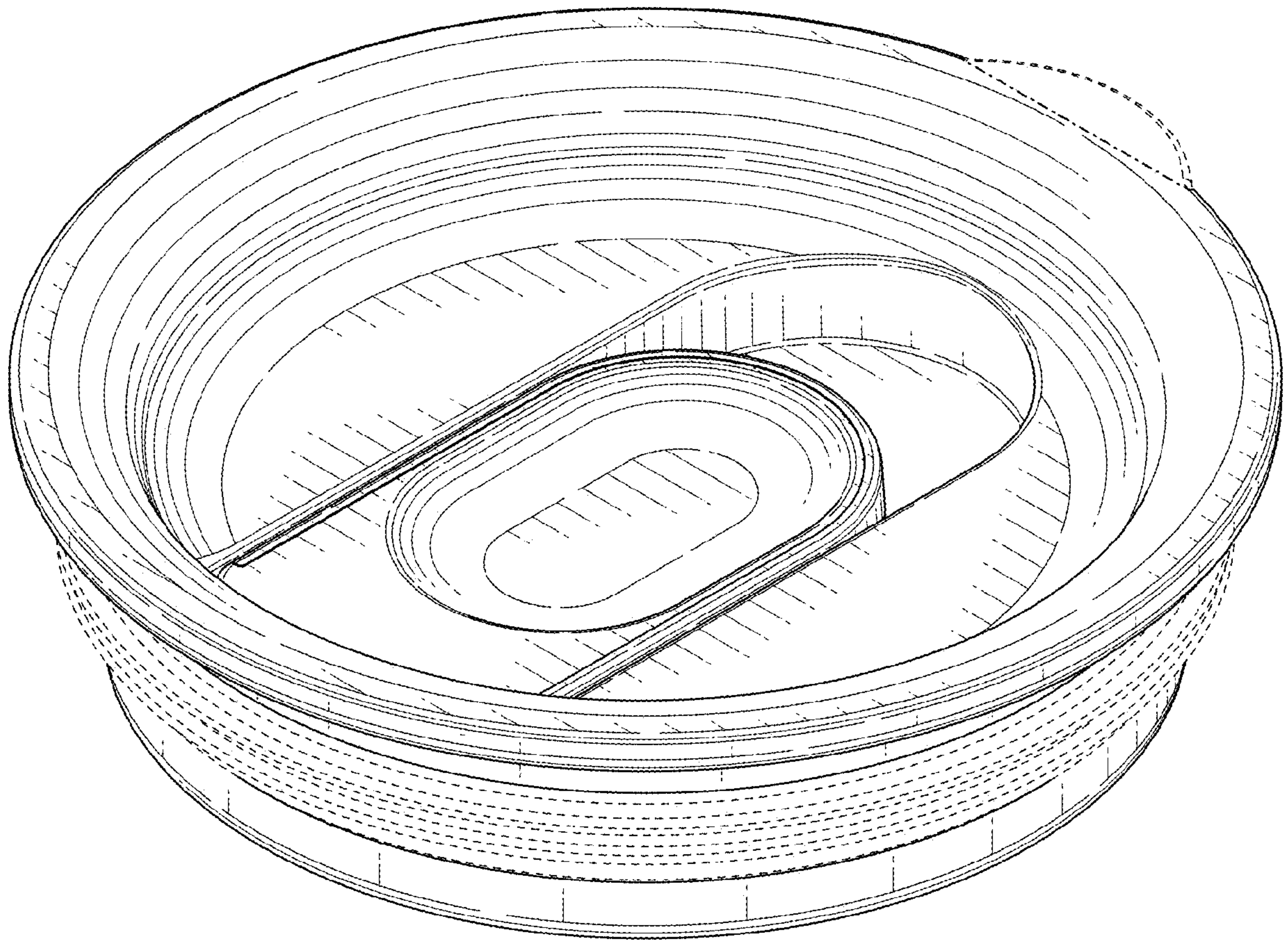


FIG. 12

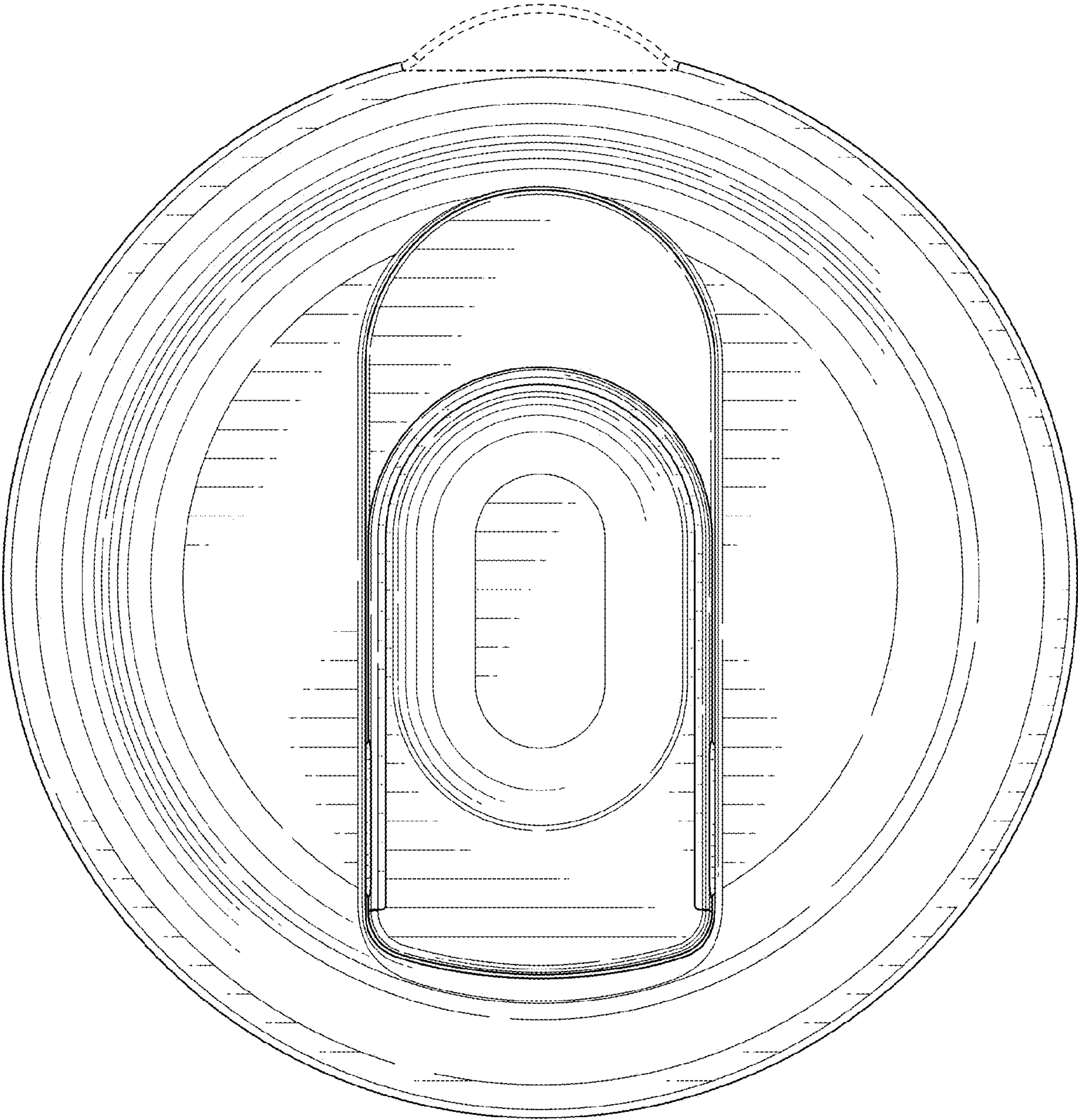


FIG. 13

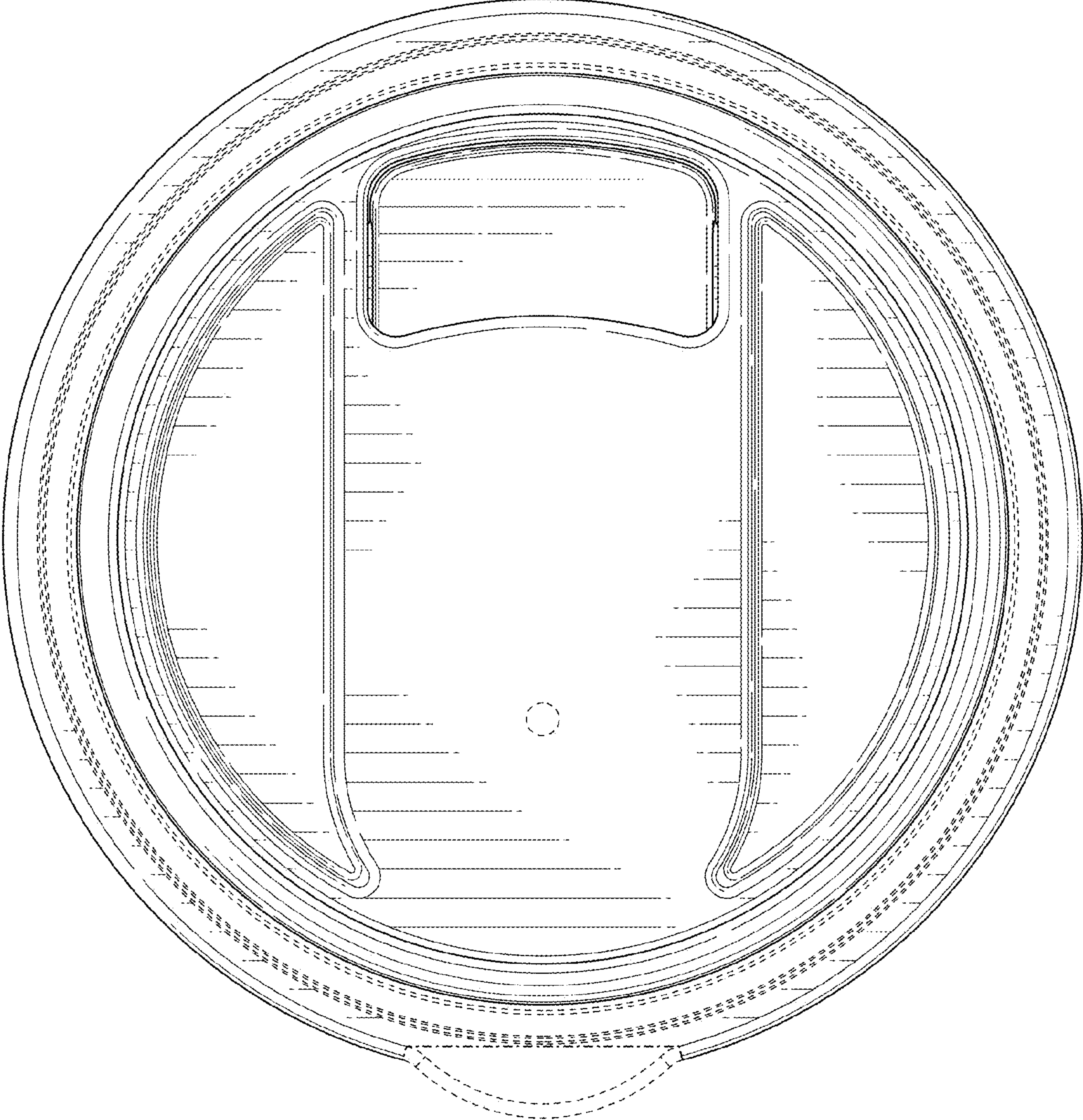


FIG. 14

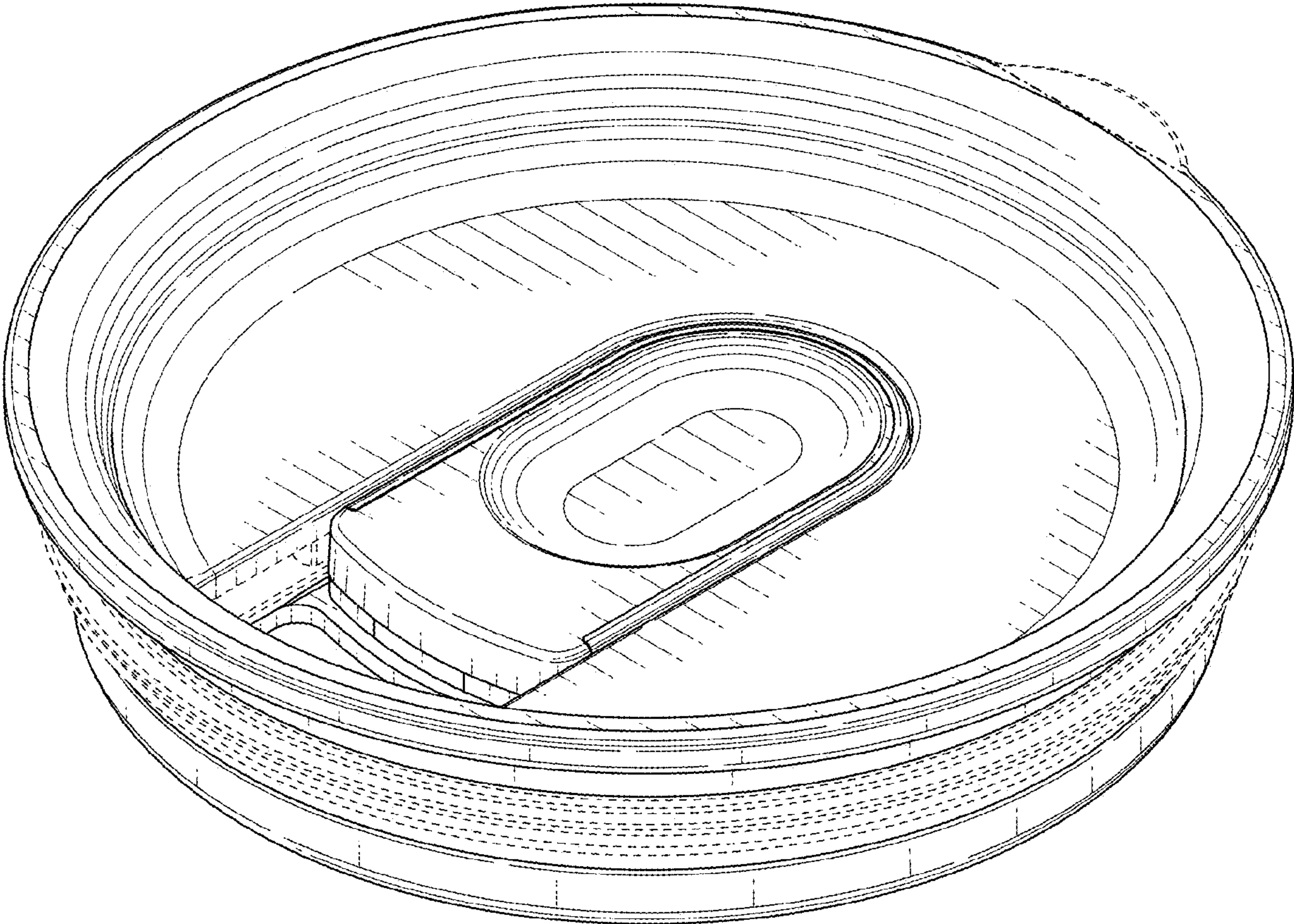


FIG. 15

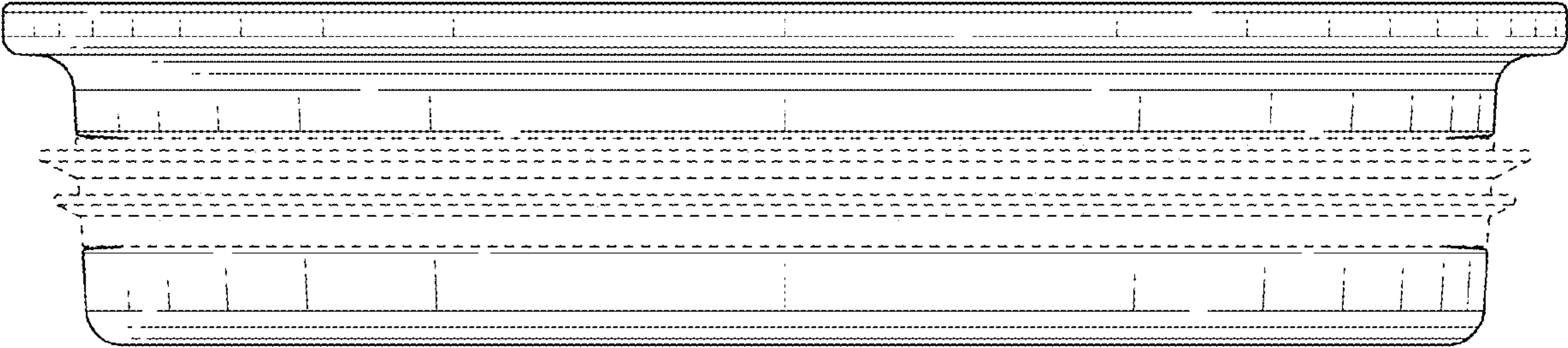


FIG. 16

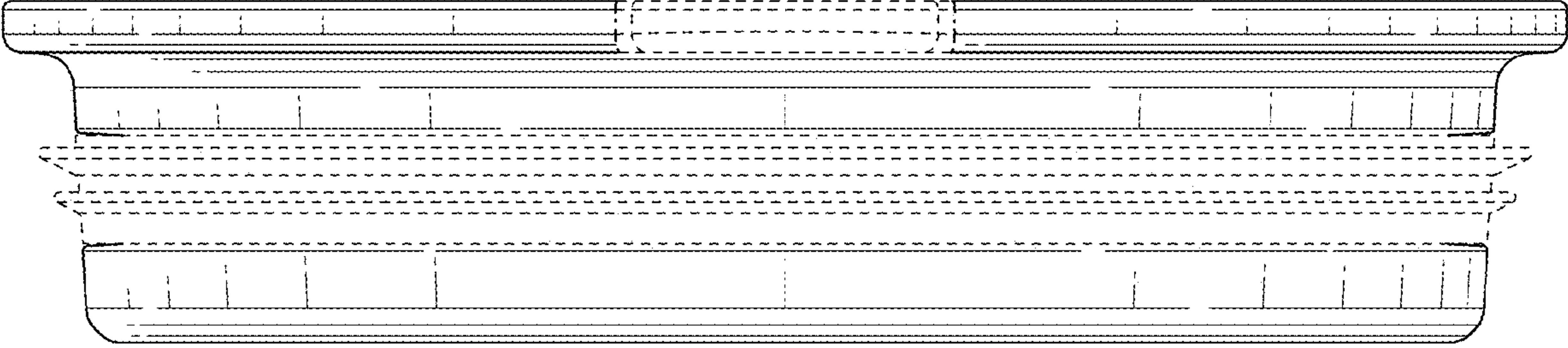


FIG. 17

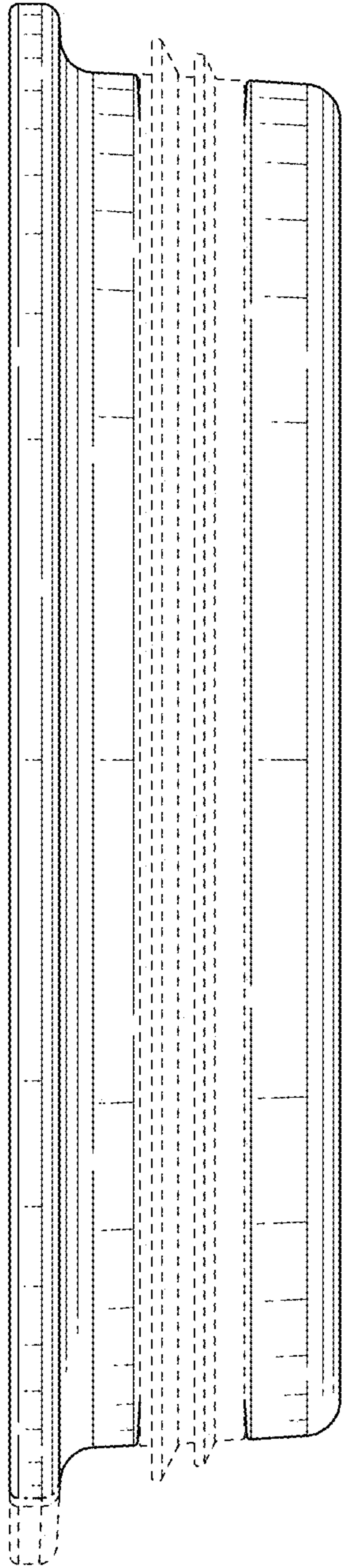


FIG. 18

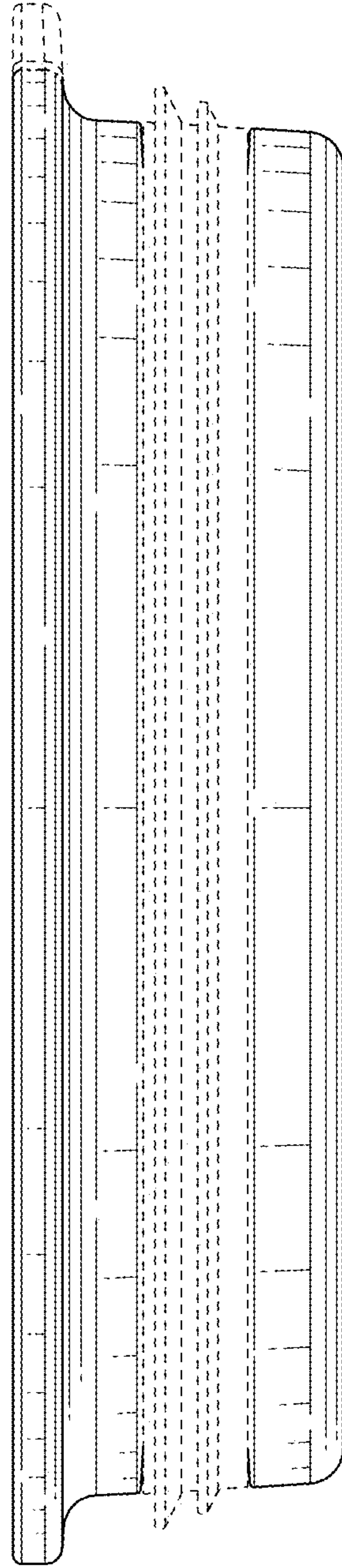


FIG. 19

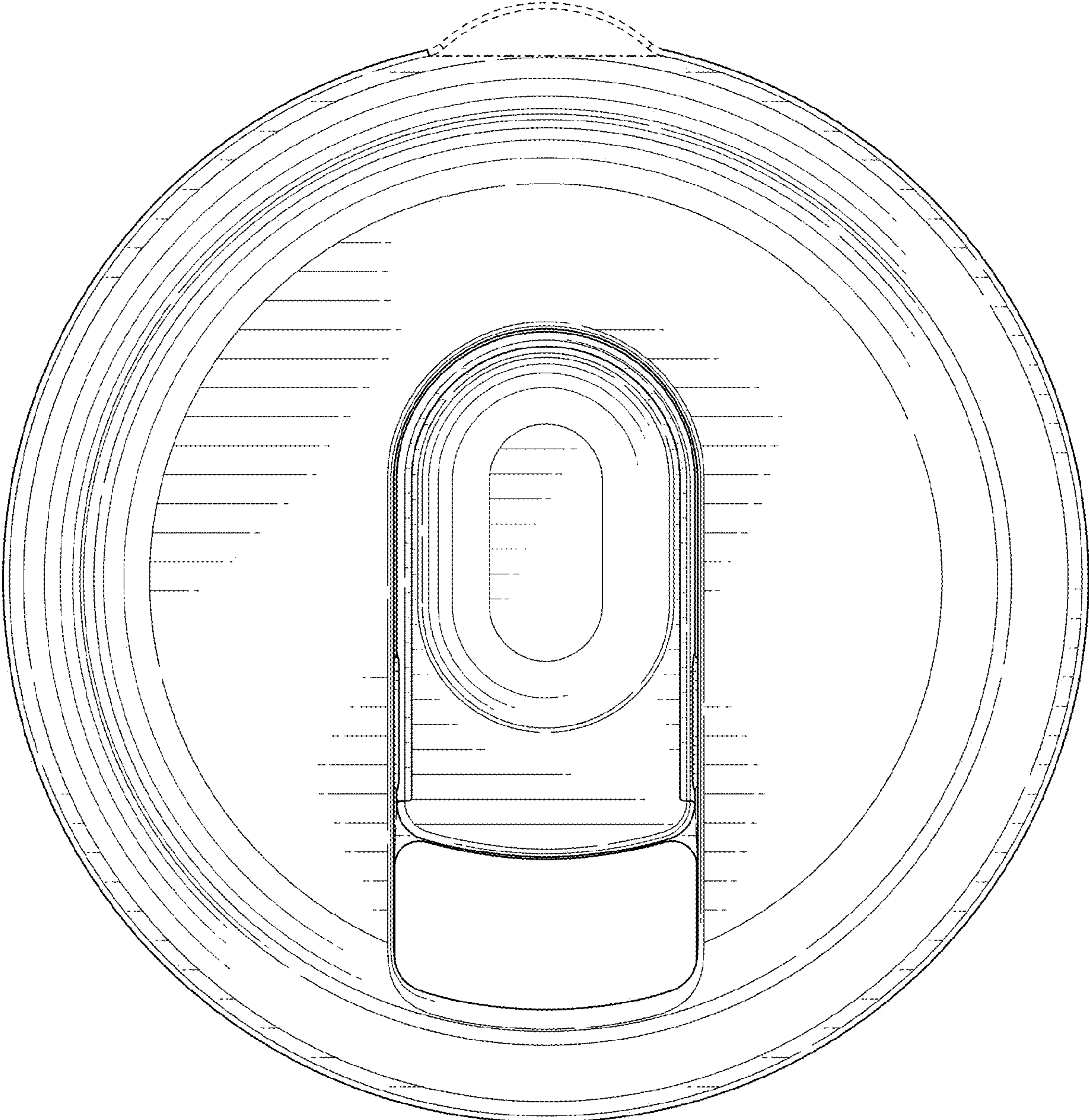


FIG. 20

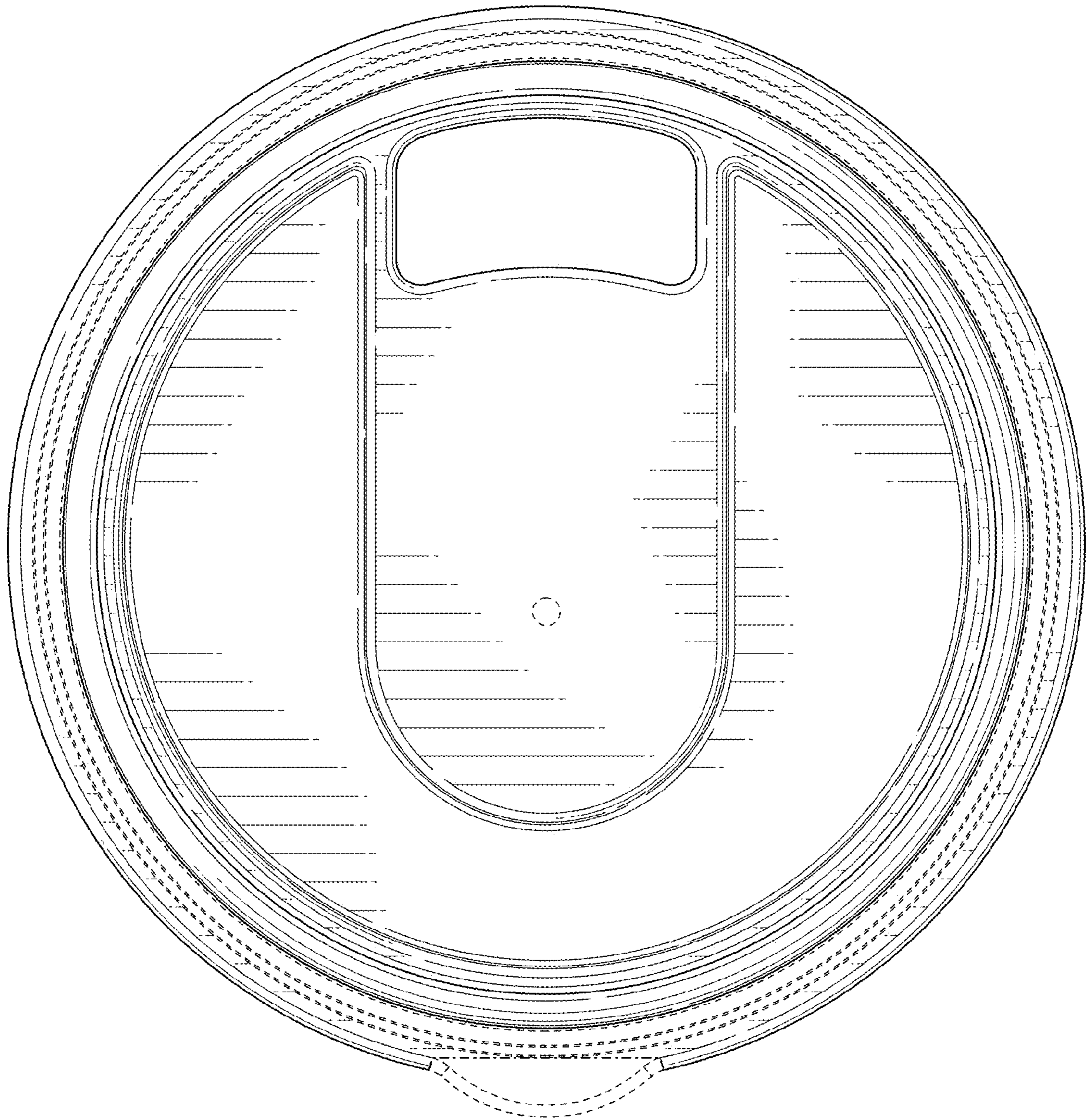


FIG. 21

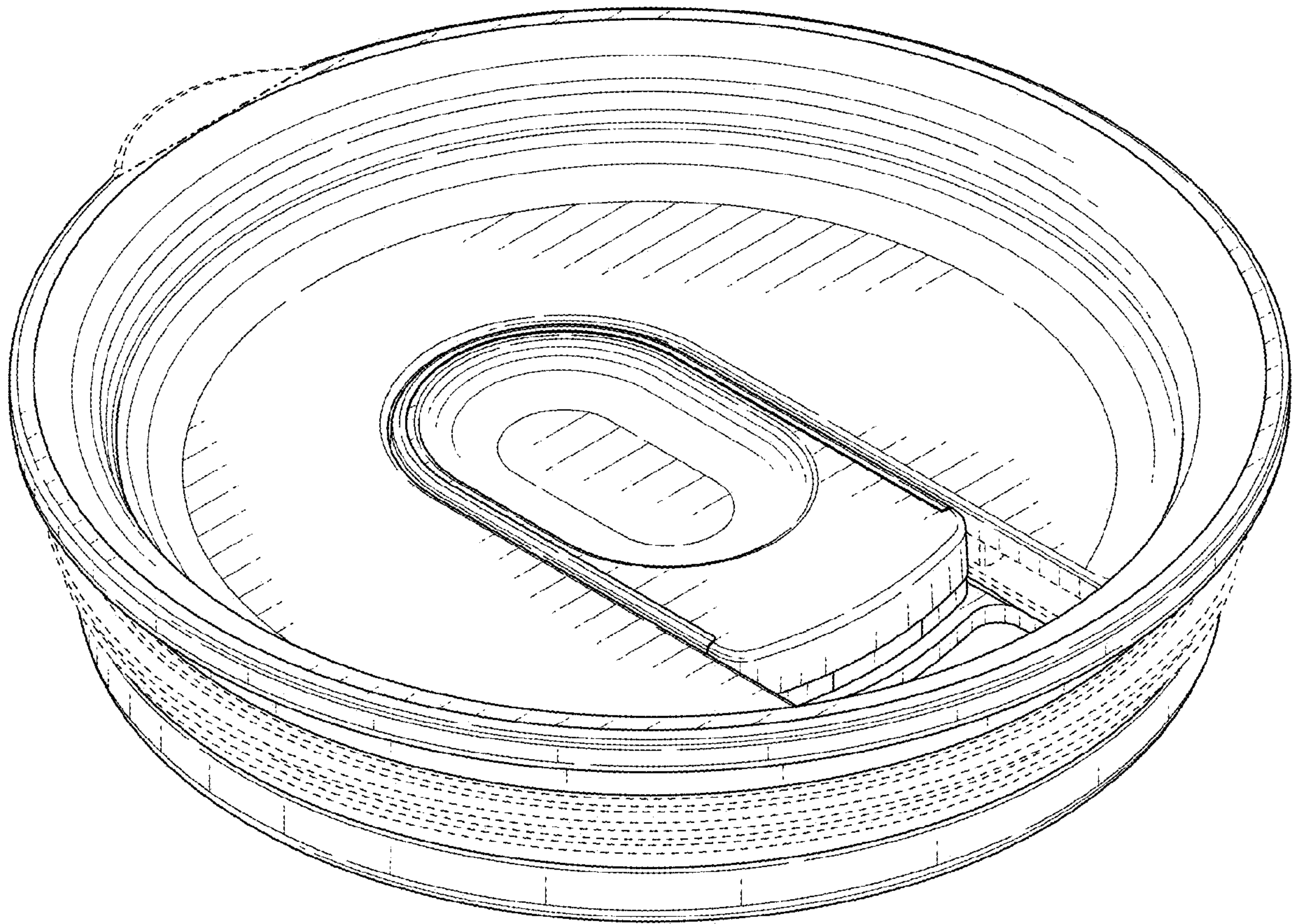


FIG. 22

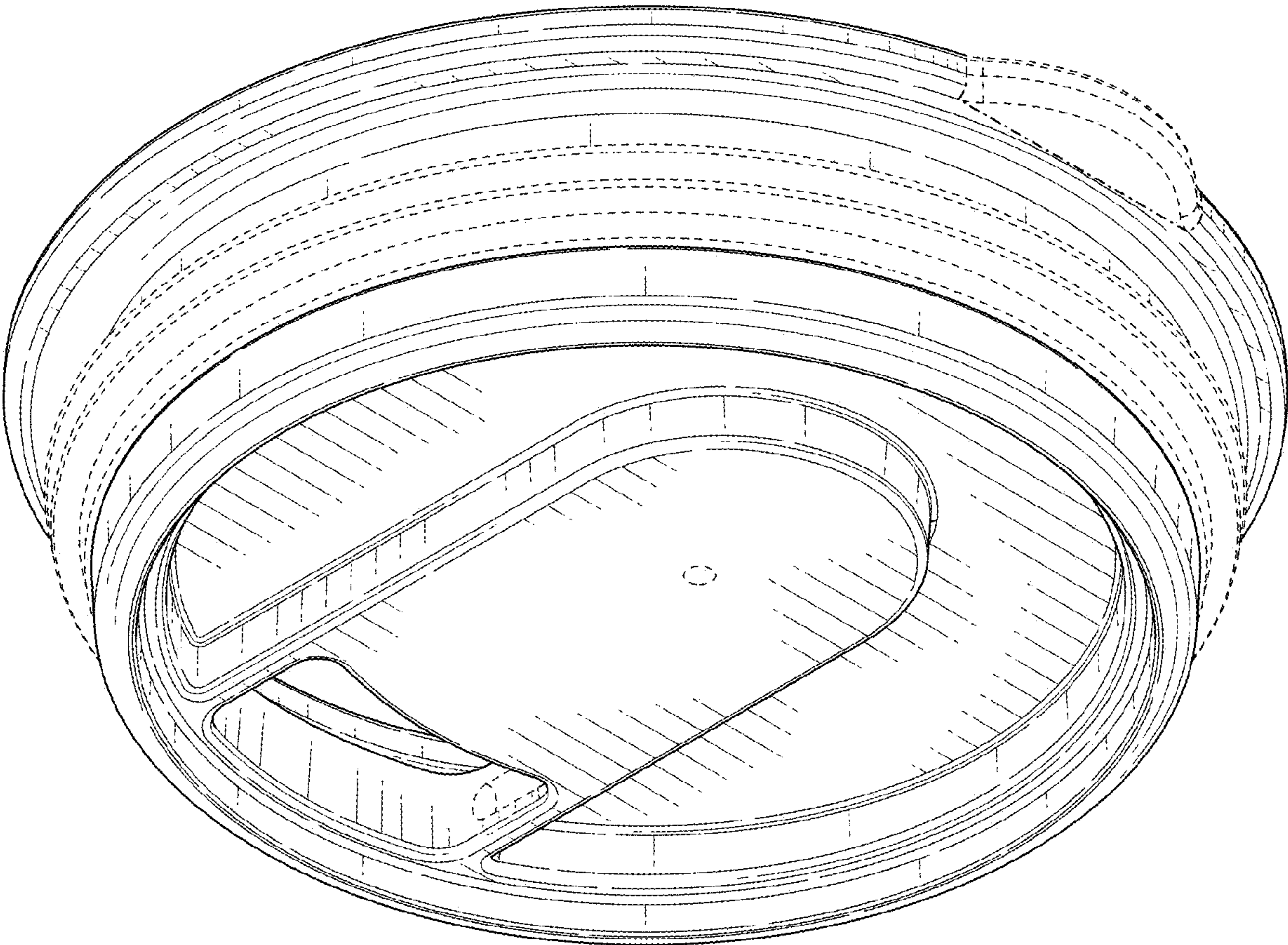


FIG. 23

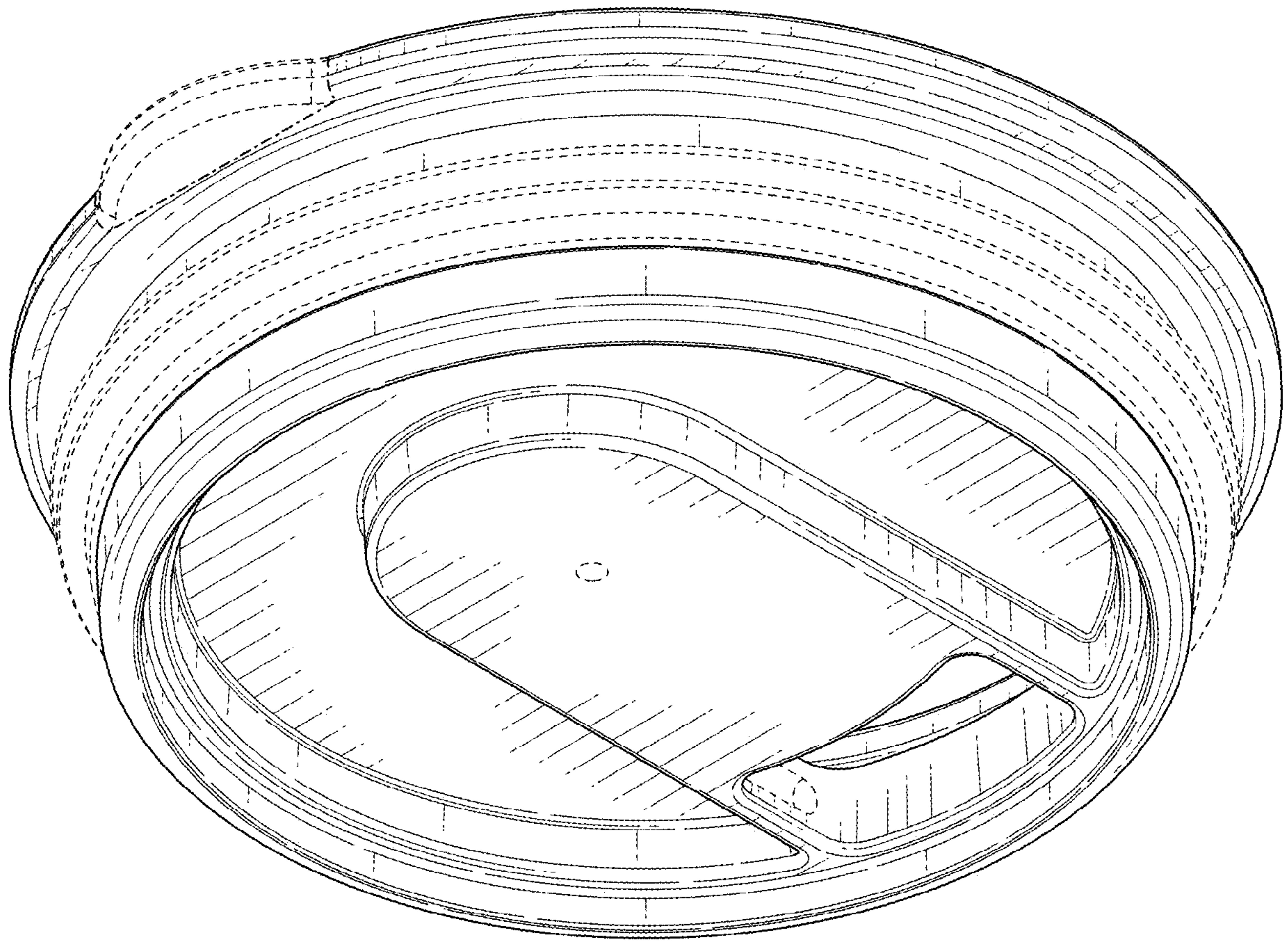


FIG. 24

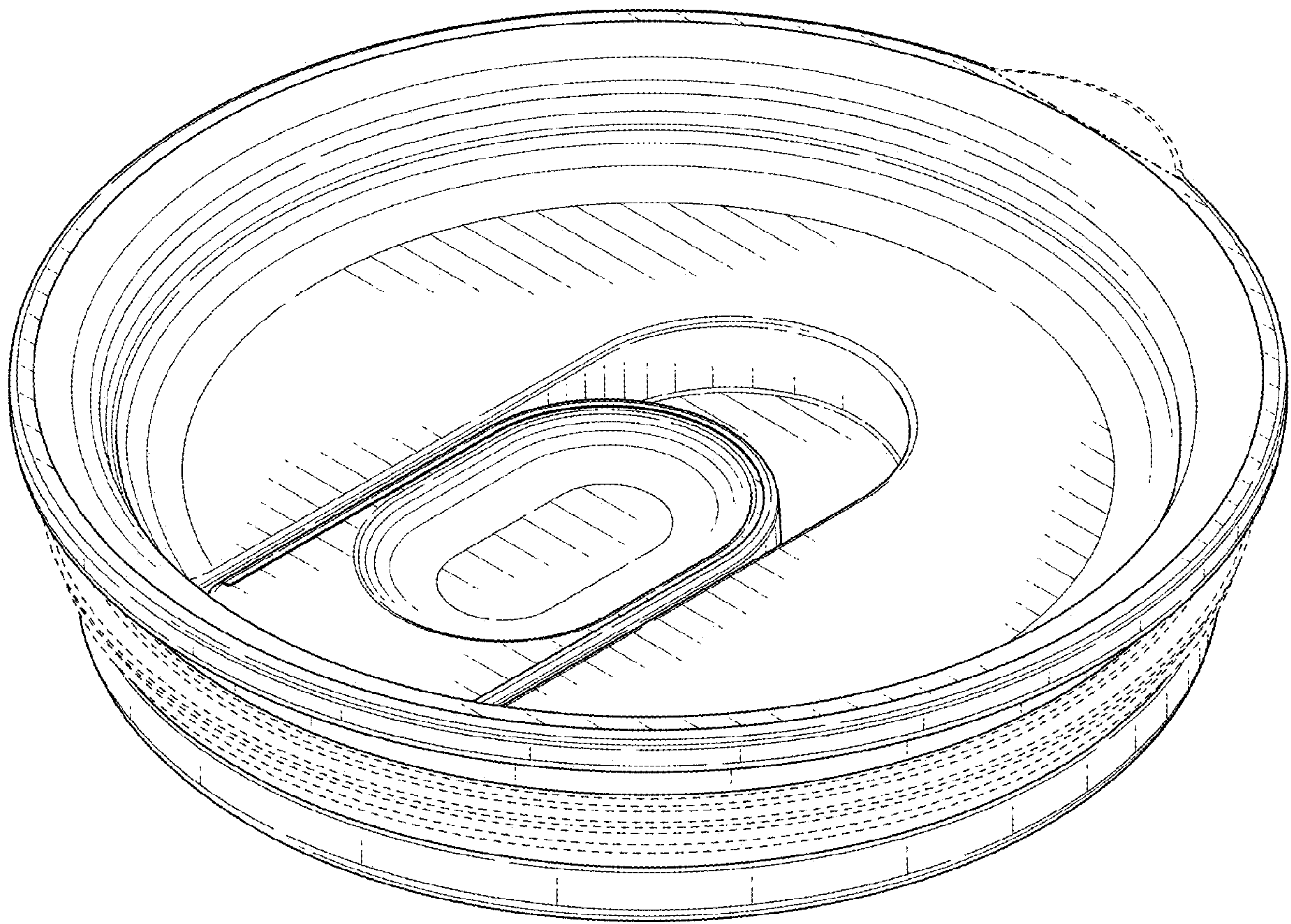


FIG. 25

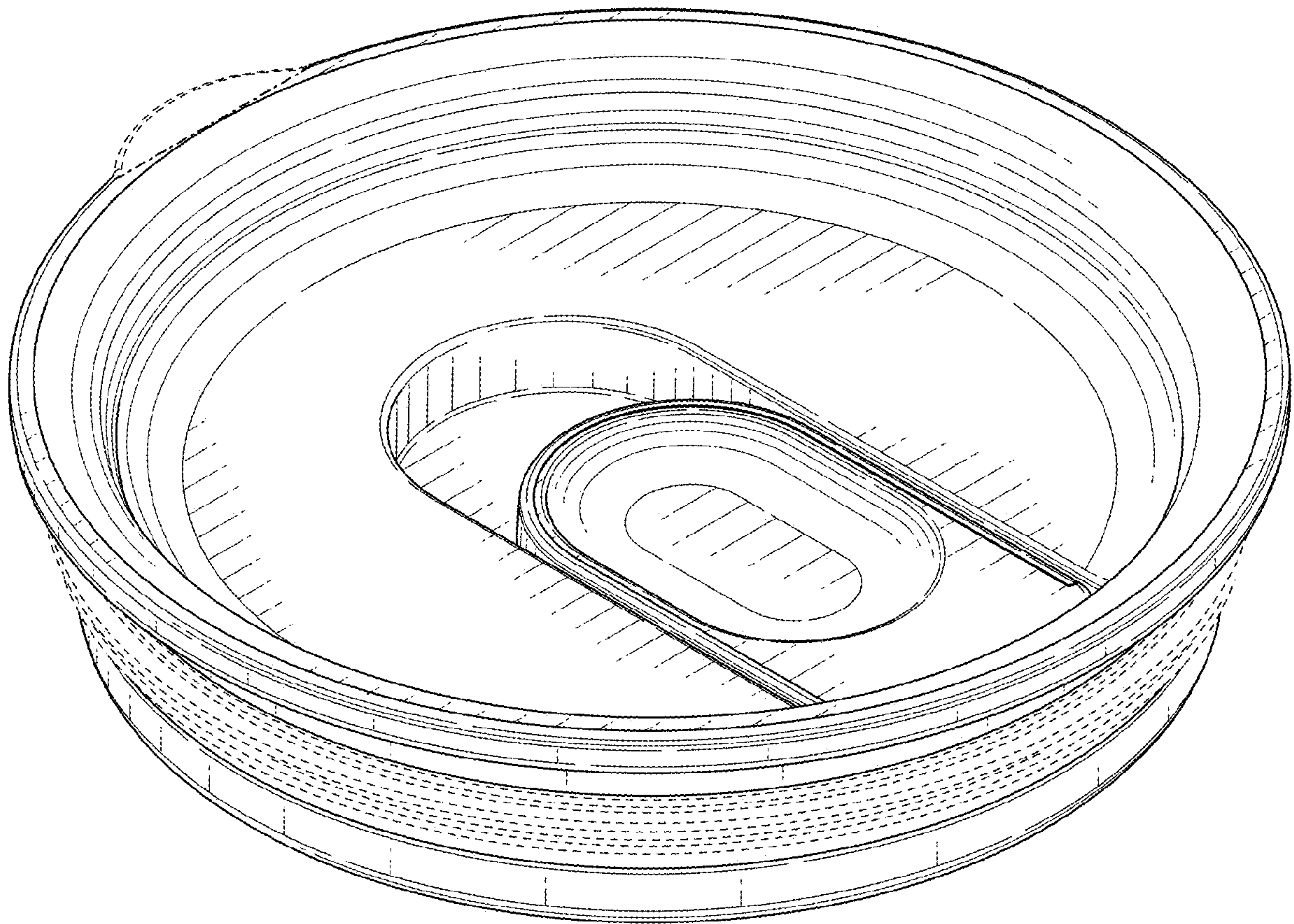


FIG. 26

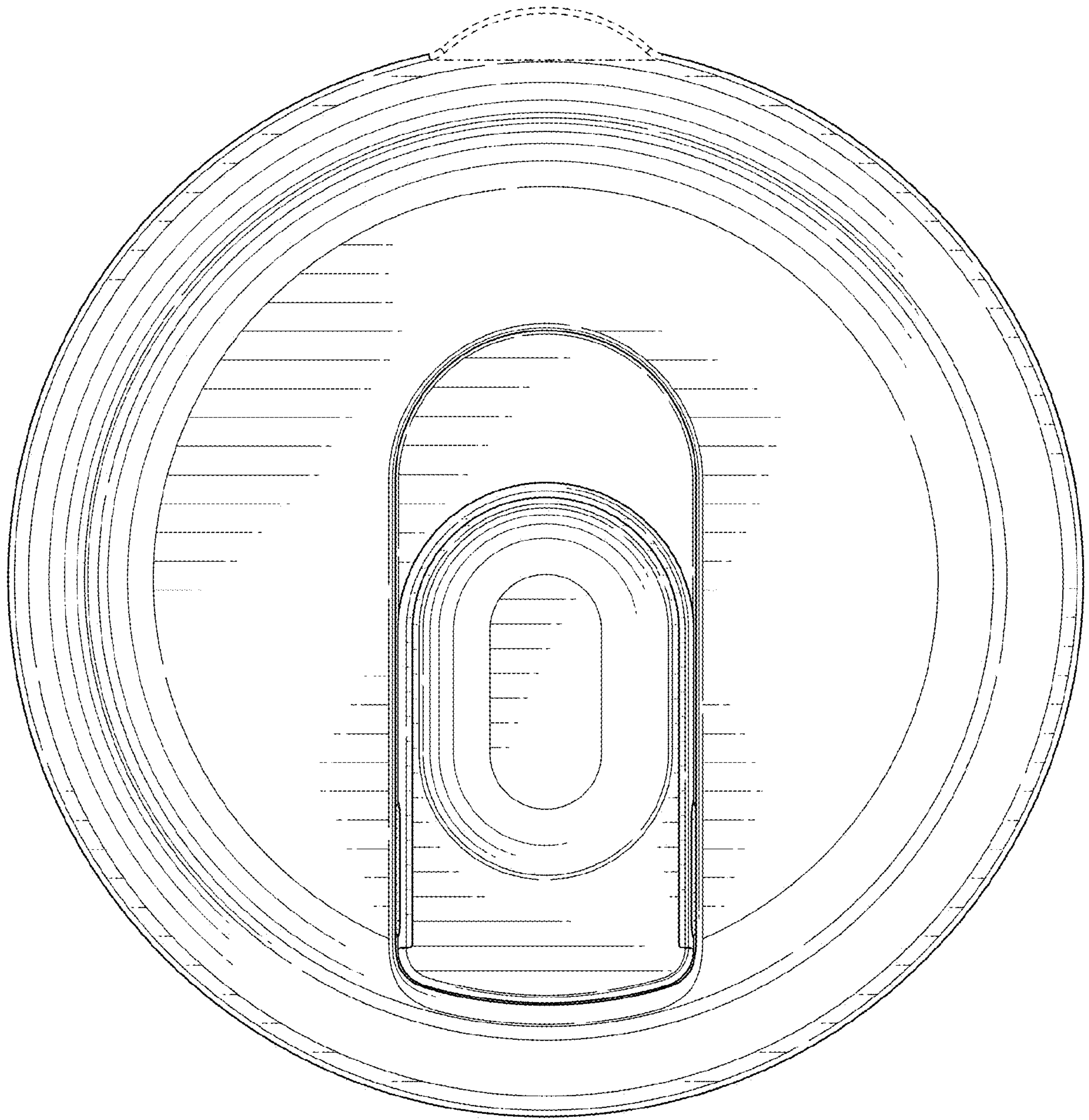


FIG. 27

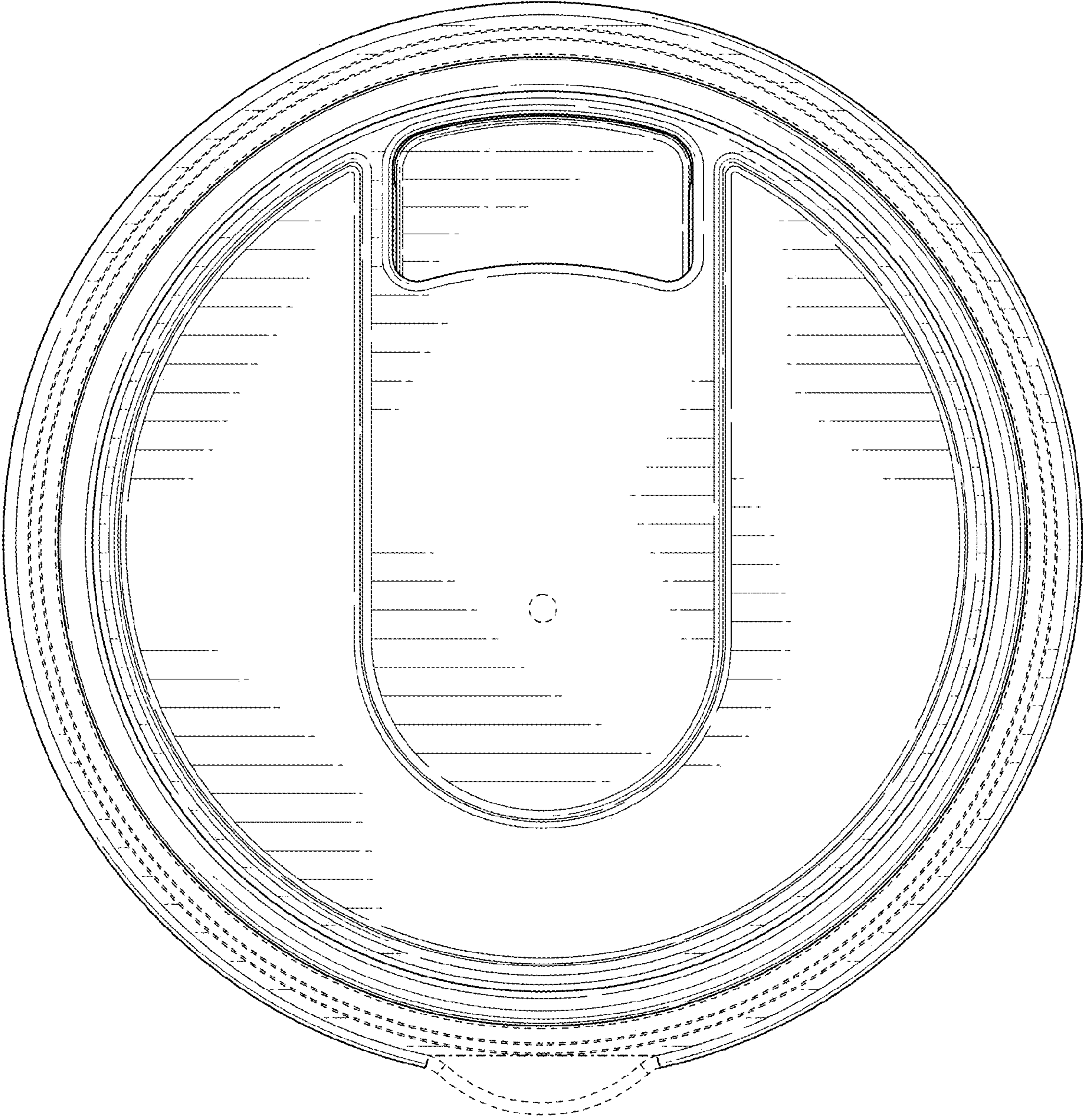


FIG. 28

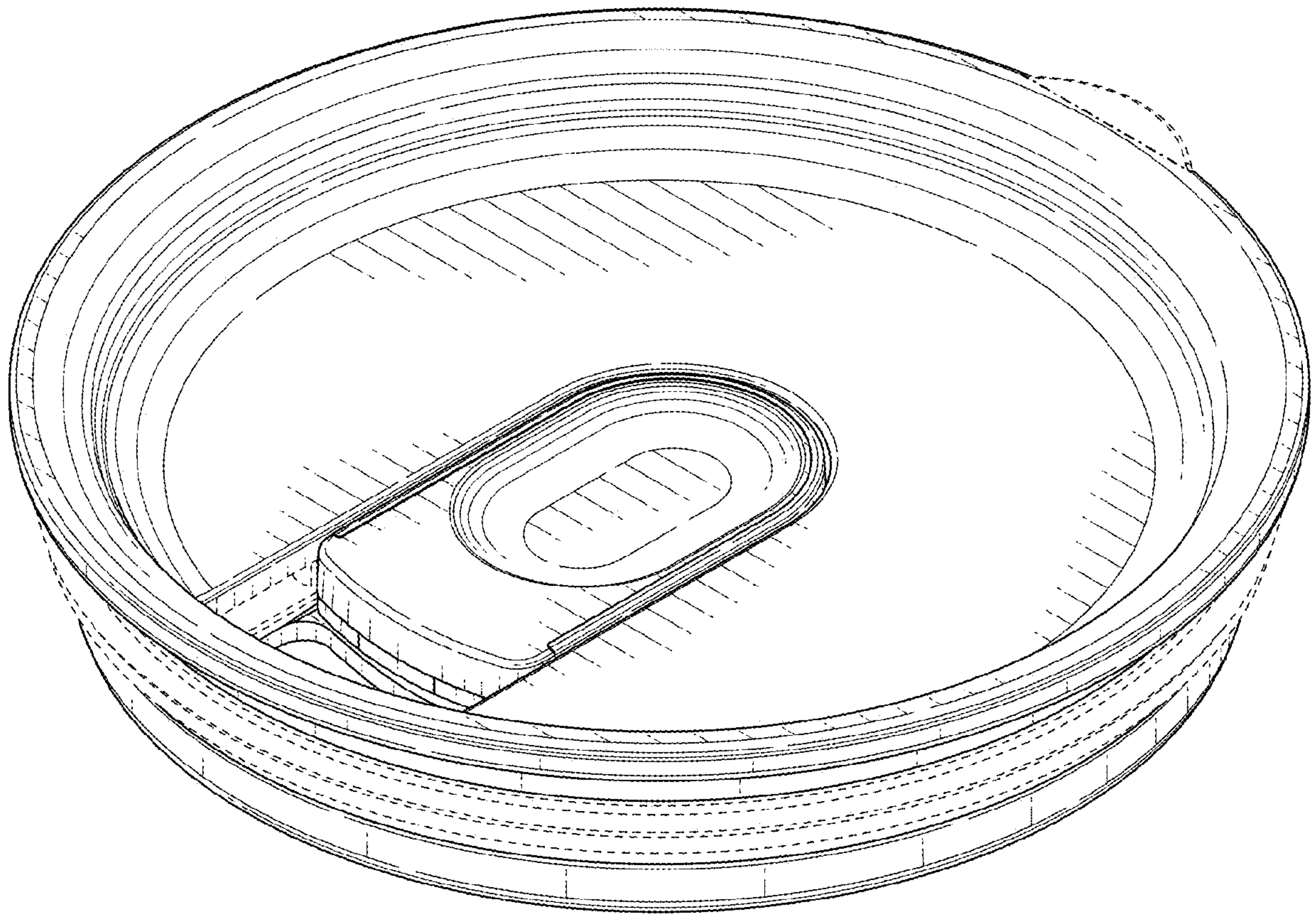


FIG. 29

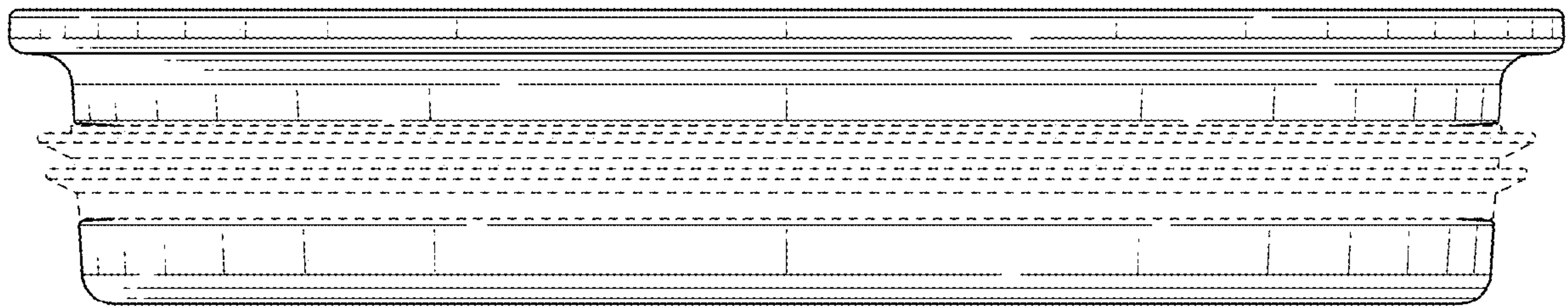


FIG. 30

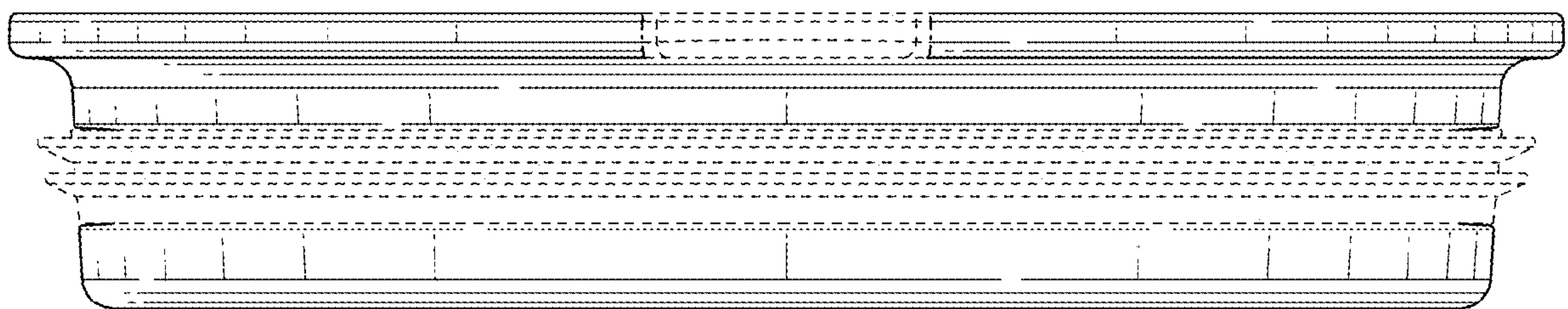


FIG. 31

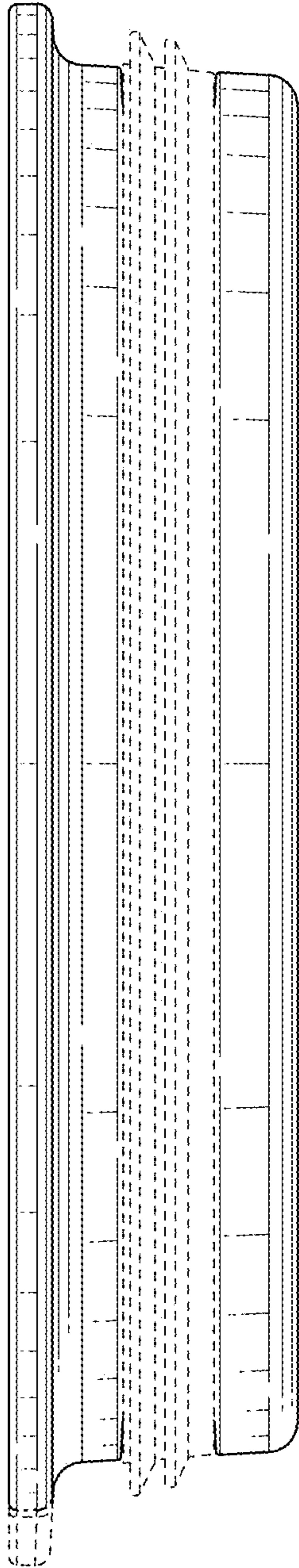


FIG. 32

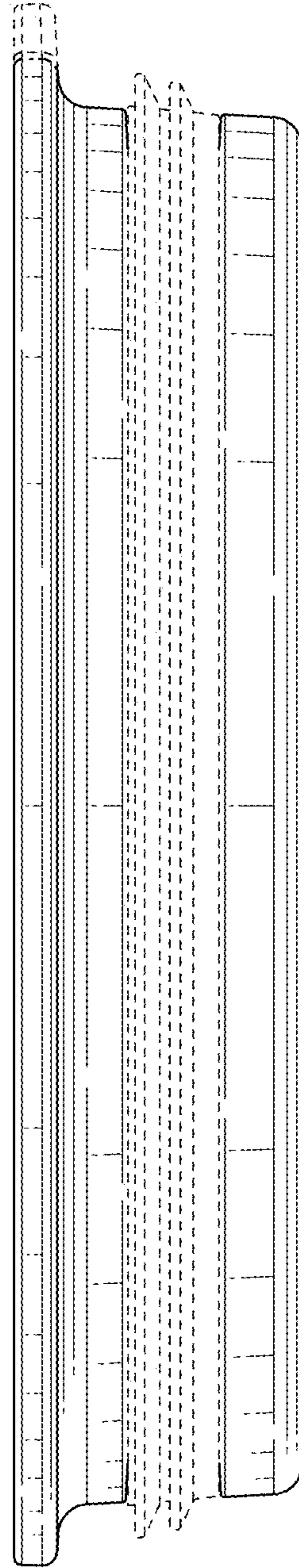


FIG. 33

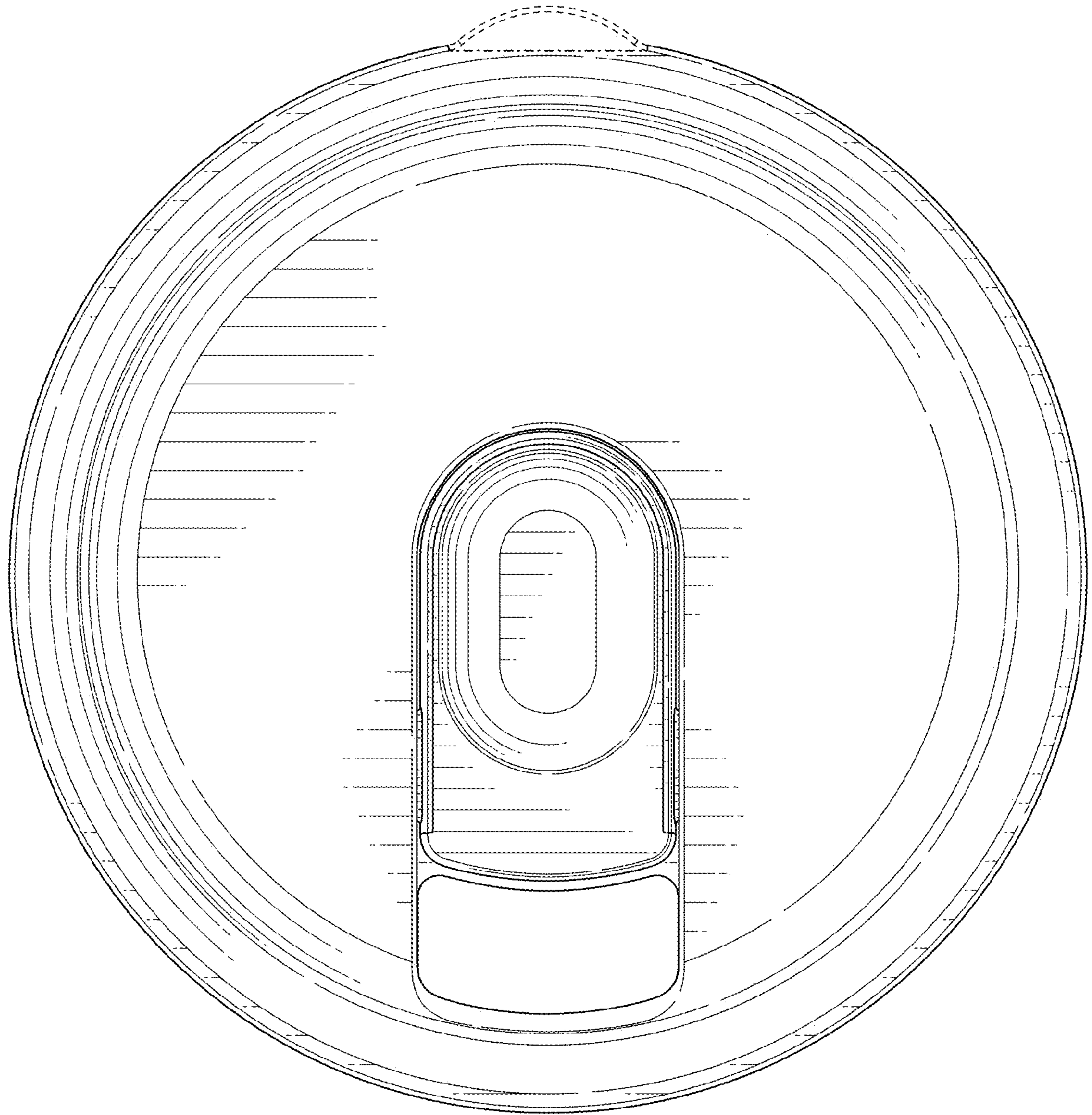


FIG. 34

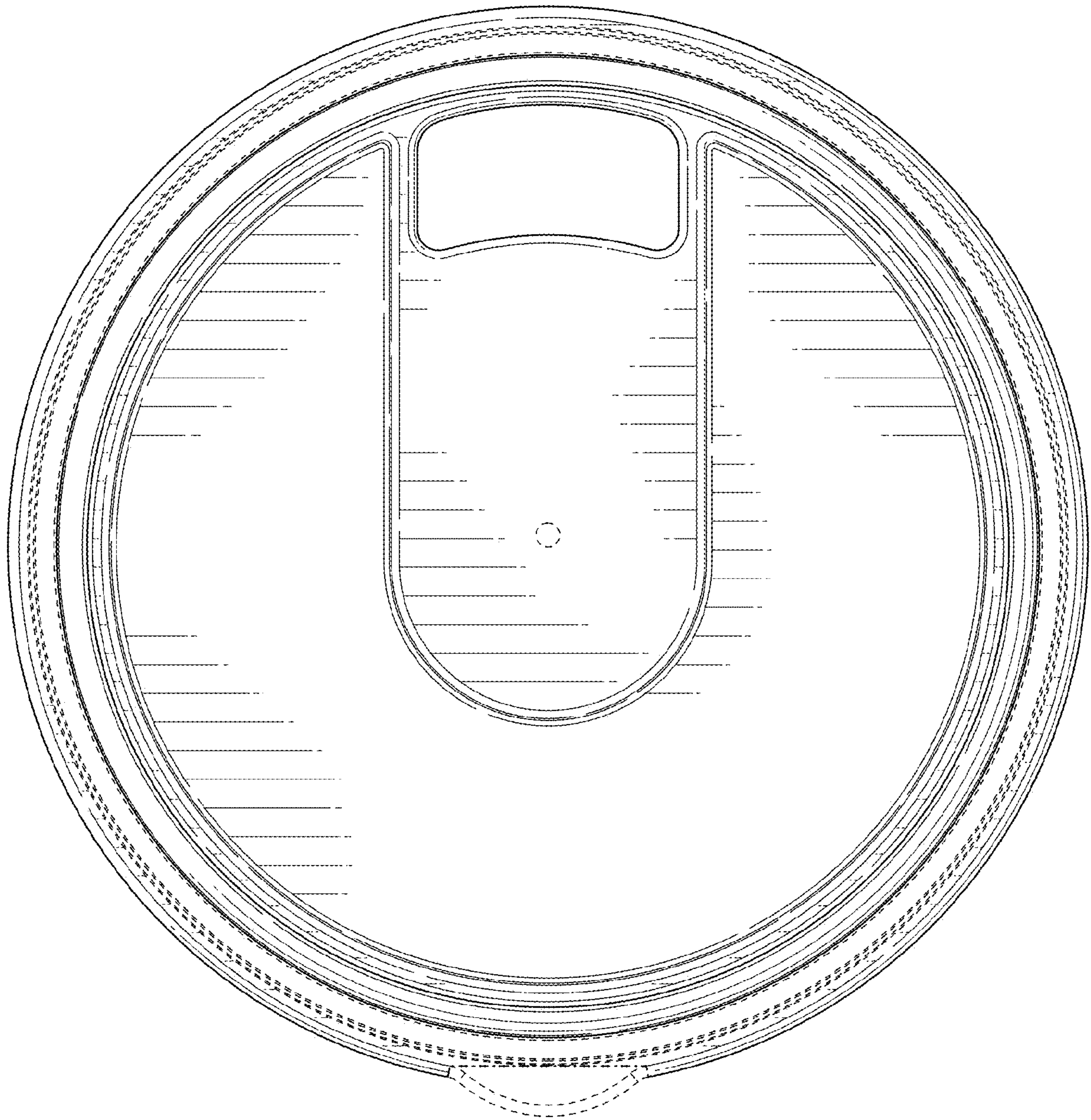


FIG. 35

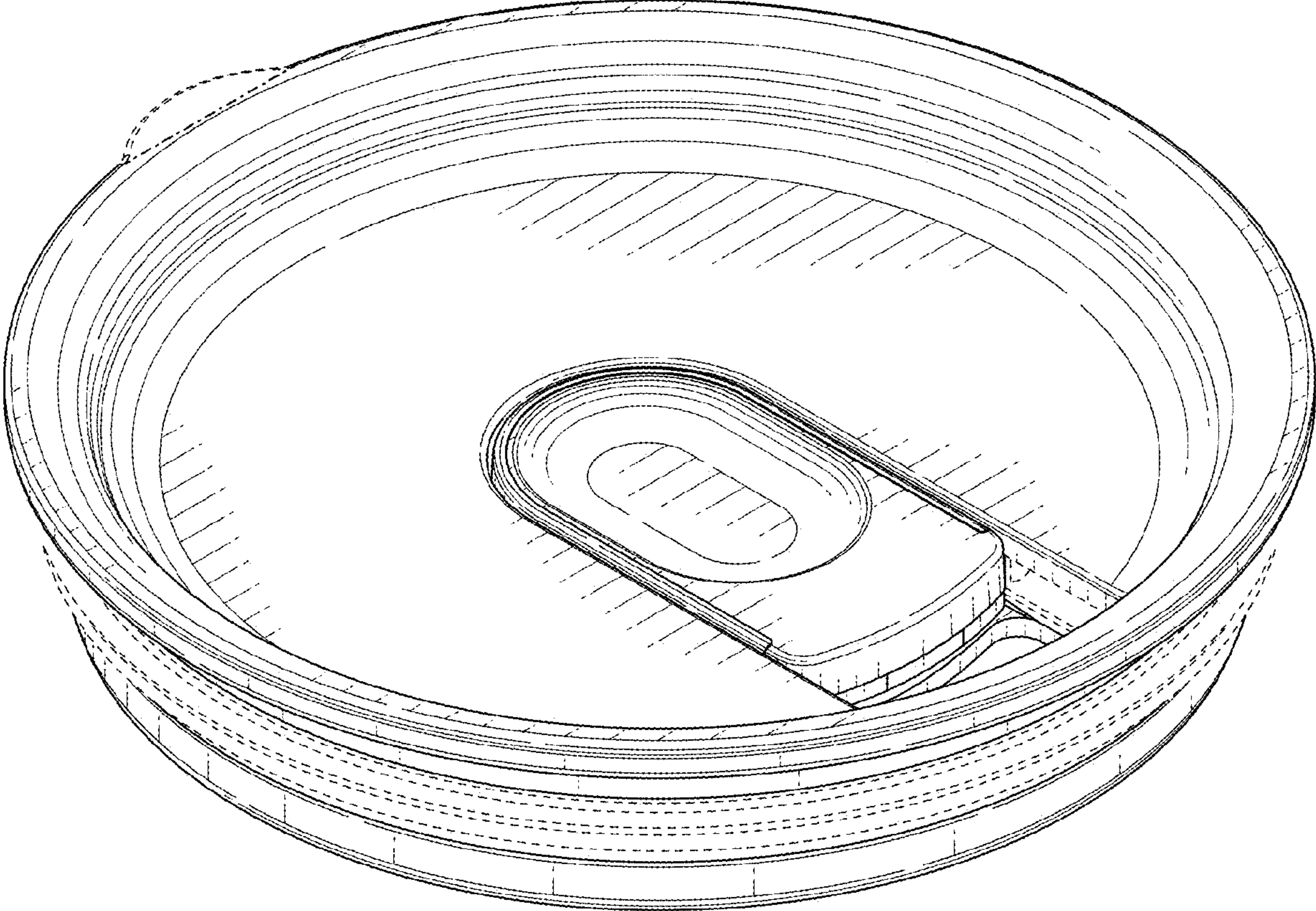


FIG. 36

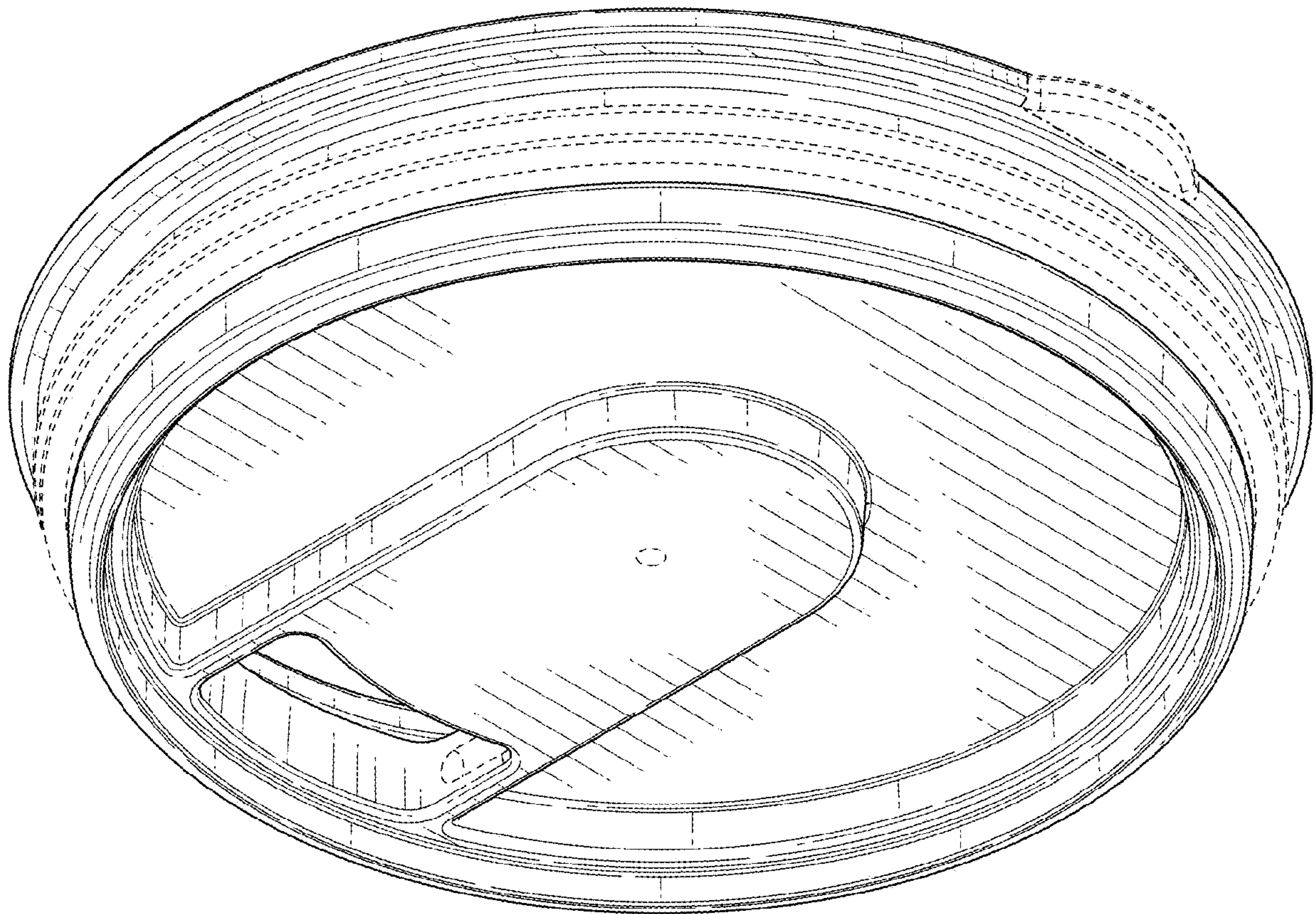


FIG. 37

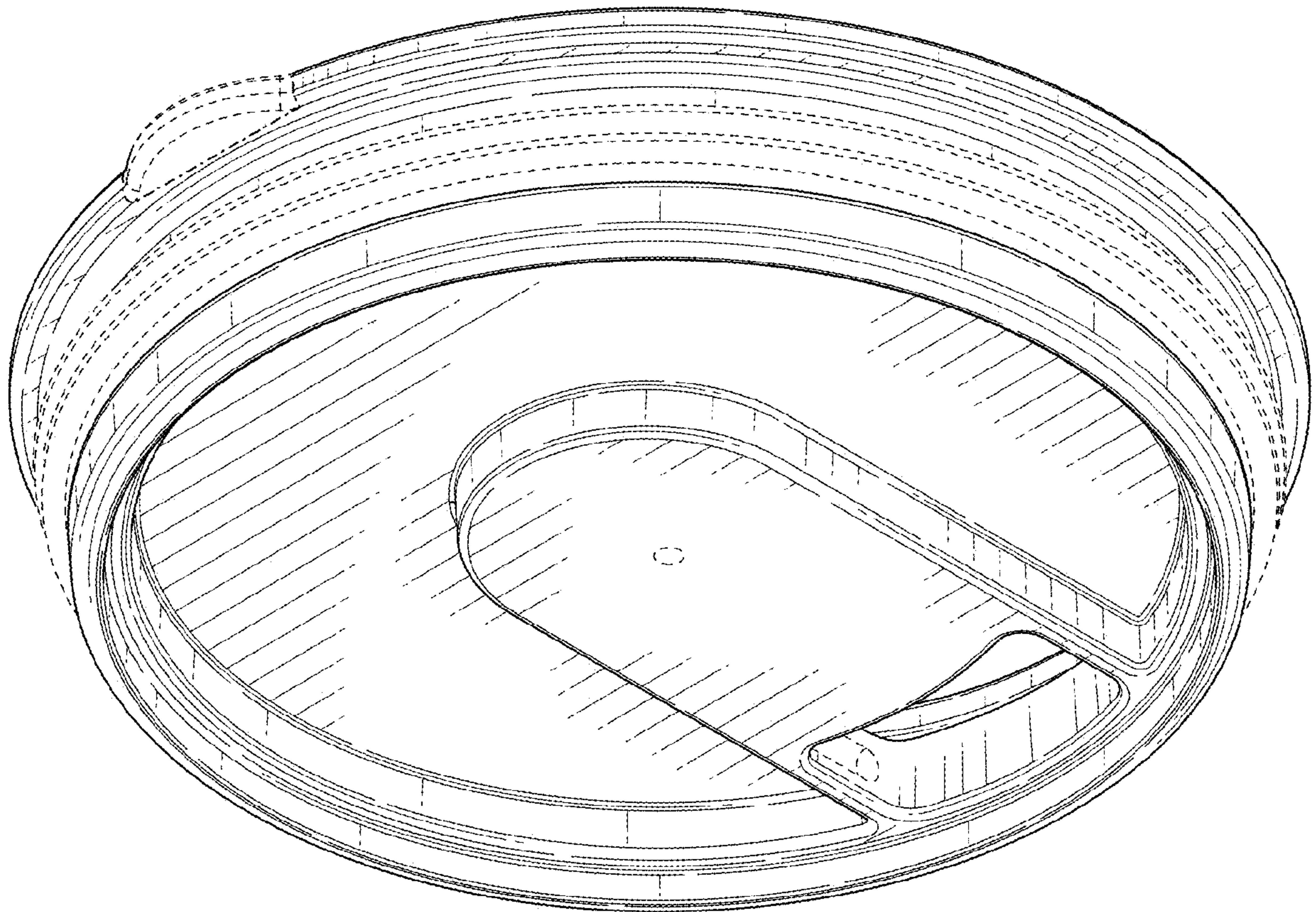


FIG. 38

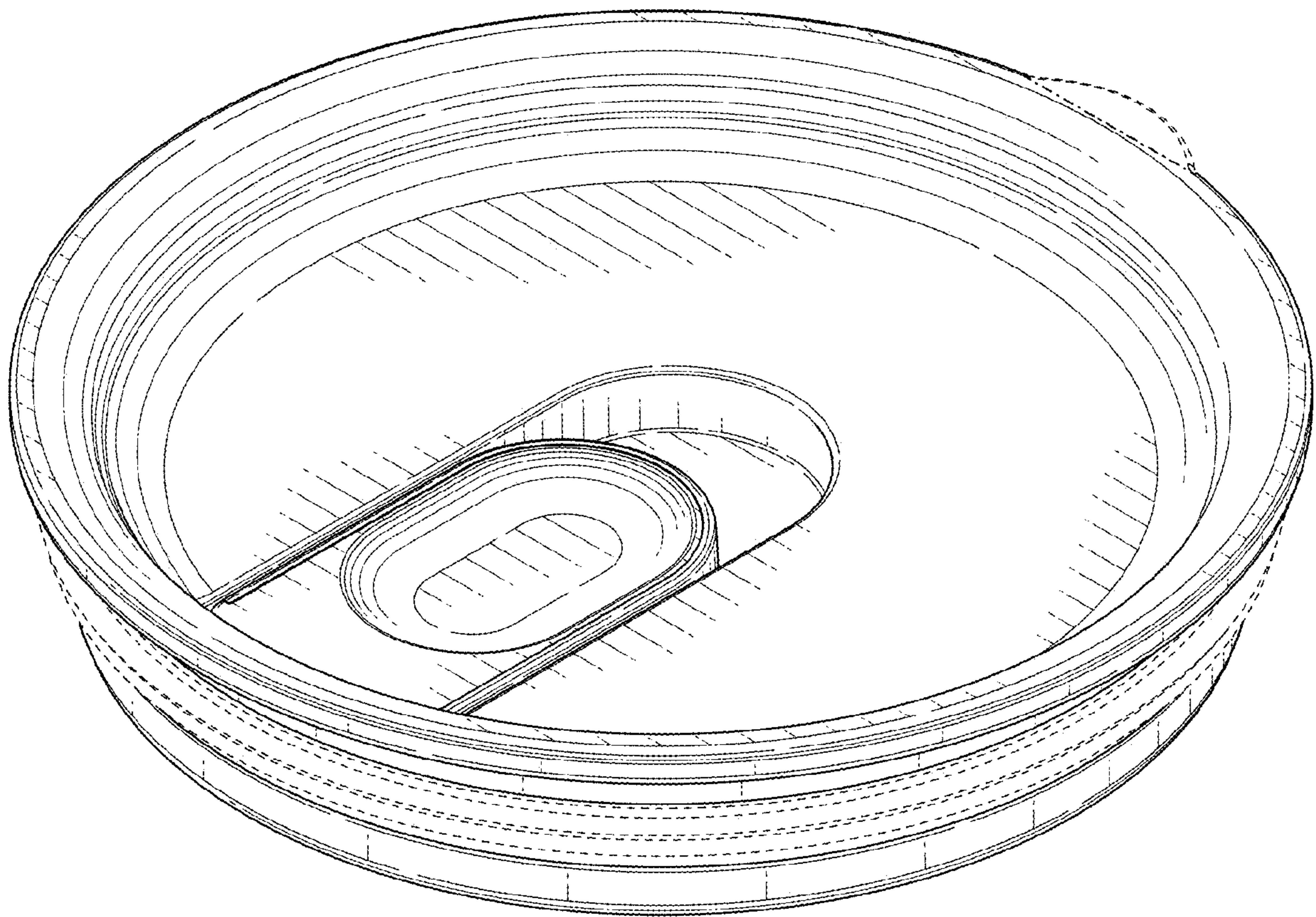


FIG. 39

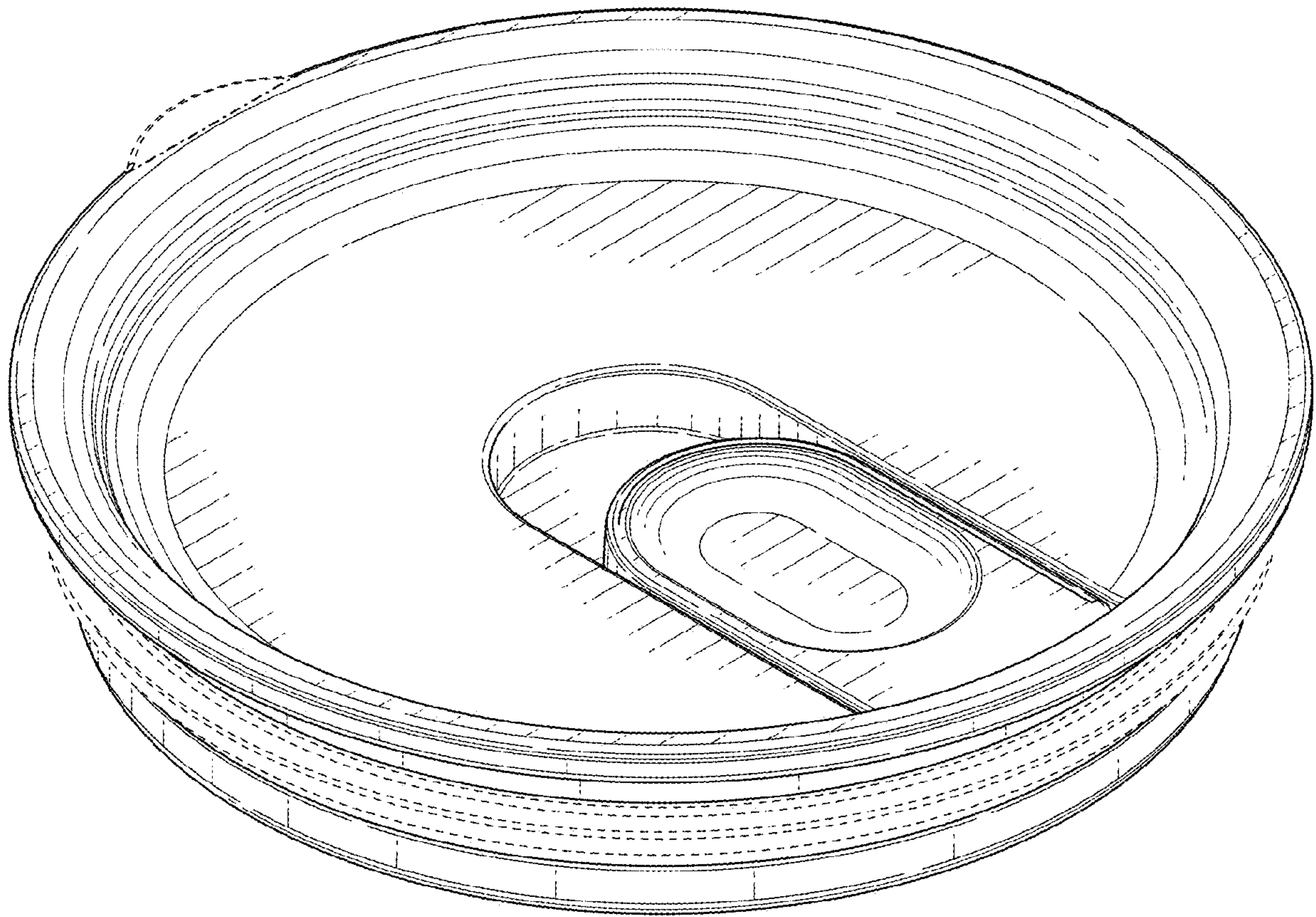


FIG. 40

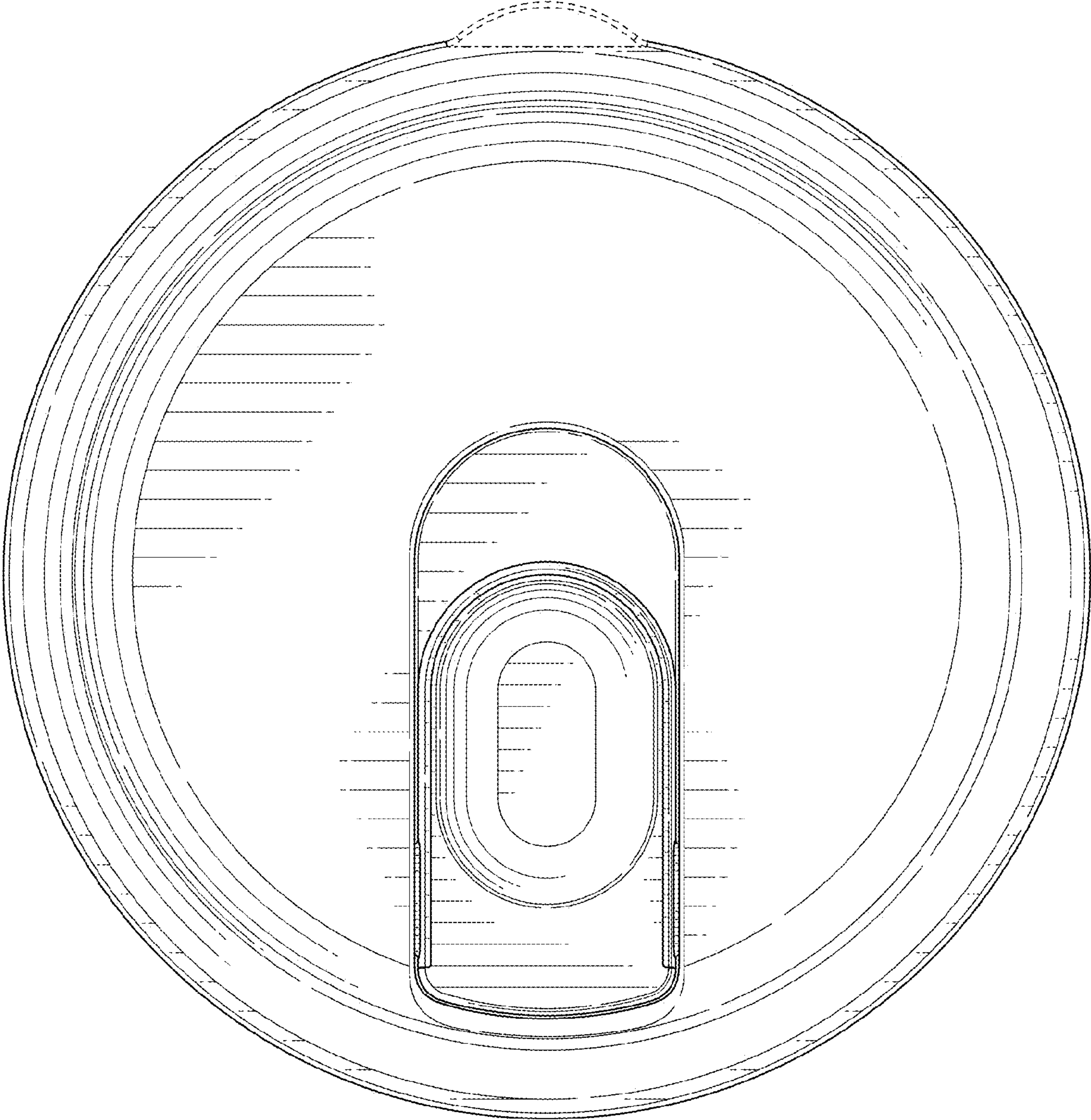


FIG. 41

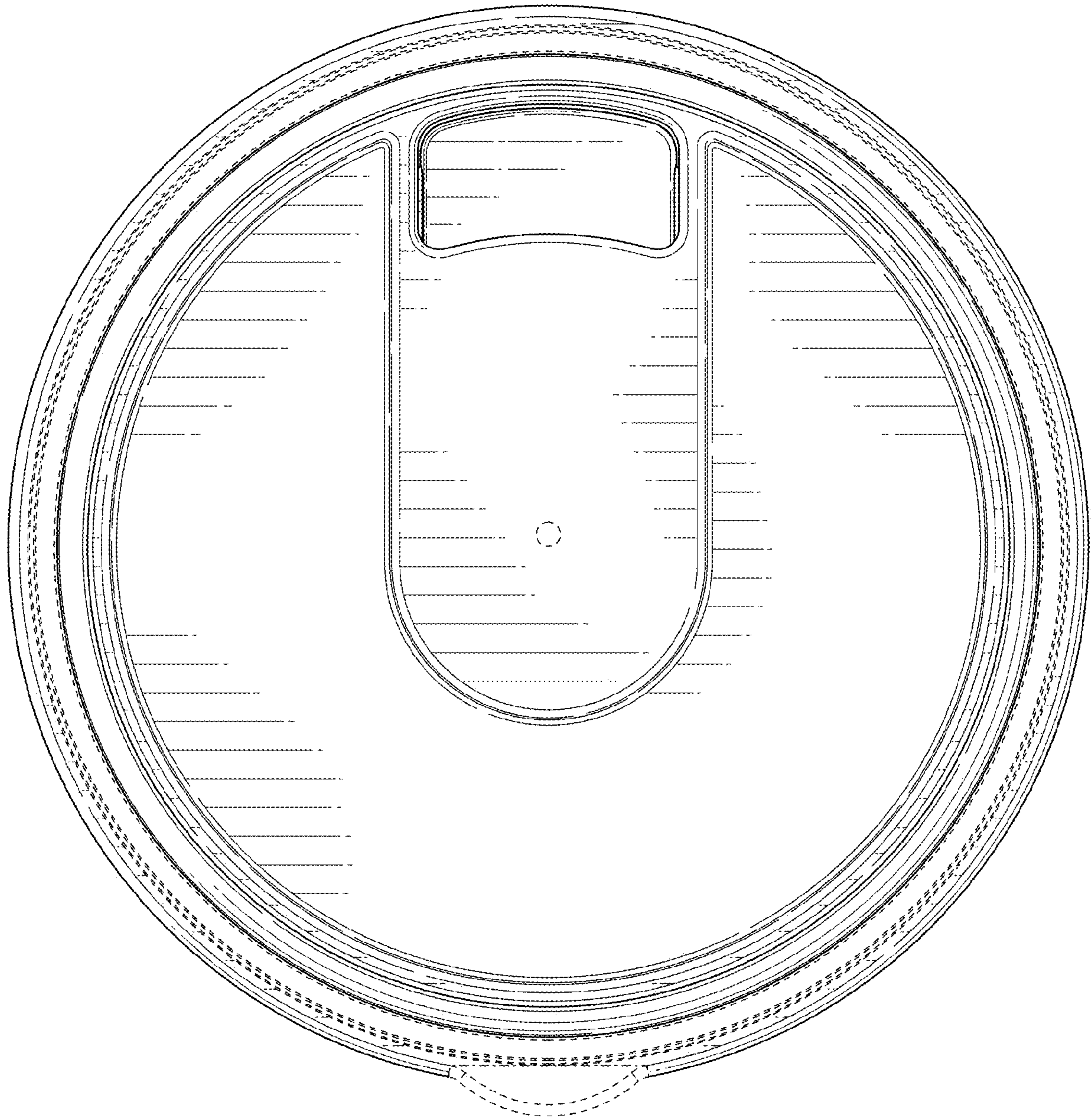


FIG. 42