



US00D933416S

(12) **United States Design Patent**
Wen

(10) **Patent No.:** **US D933,416 S**

(45) **Date of Patent:** **** Oct. 19, 2021**

(54) **FOOD PROCESSOR**

(71) Applicant: **Jianping Wen**, Guangdong (CN)

(72) Inventor: **Jianping Wen**, Guangdong (CN)

(**) Term: **15 Years**

(21) Appl. No.: **29/766,590**

(22) Filed: **Jan. 15, 2021**

(51) **LOC (13) Cl.** **31-00**

(52) **U.S. Cl.**

USPC **D7/384**; D7/381; D7/383

(58) **Field of Classification Search**

USPC D7/372, 376-386, 412-413, 602, 629,
D7/665-666, 669, 679, 693-694

CPC A21C 1/02; A21C 1/04; A23N 1/00; A23N
1/02; A47J 43/04; A47J 43/25; A47J
43/27; A47J 43/042; A47J 43/044; A47J
43/046; A47J 43/075; A47J 43/0705;
A47J 43/0722; A47J 43/0727; B01F 3/00;
B01F 3/0807; B01F 3/0853; B01F
13/0059; B01F 13/0064; B02C 1/08;
B02C 2/04; B02C 4/42; B02C 4/142;
B02C 4/143; B02C 4/423; B02C 13/1835;
B28C 5/10; B28C 5/12; B28C 5/14;
B28C 5/16

See application file for complete search history.

(56) **References Cited**

U.S. PATENT DOCUMENTS

D361,694 S *	8/1995	Wong	D7/376
D372,397 S *	8/1996	Littmann	D7/413
D424,201 S	5/2000	Saito		
D426,744 S *	6/2000	Wong	D7/384
D480,613 S *	10/2003	Wong	D7/384
D511,434 S *	11/2005	Feil	D7/384
D651,871 S *	1/2012	Coursey	D7/693
D838,147 S *	1/2019	Kim	D7/693
D892,538 S	8/2020	Finnance		

D900,531 S *	11/2020	Chen	D7/381
D900,533 S *	11/2020	Chen	D7/384
D906,066 S *	12/2020	Lu	D7/693
2009/0045274 A1 *	2/2009	So	A47J 43/0705 241/169.1

OTHER PUBLICATIONS

Kuopry Electric Mini Garlic Chopper, Food Slicer And Chopper. Date First Available on Amazon.com Nov. 3, 2020. <https://www.amazon.com/Electric-Kuopry-Vegetables-Processor-Processor-Pink/dp/B08ML78F3F/ref> (Year: 2020).*

* cited by examiner

Primary Examiner — Ricky Pham

(74) *Attorney, Agent, or Firm* — ScienBiziP, P.C.

(57) **CLAIM**

The ornamental design for a food processor, as shown and described.

DESCRIPTION

FIG. 1 is a front, right, and top perspective view of a food processor, showing my design.

FIG. 2 is a rear, left, and bottom perspective view thereof.

FIG. 3 is a front elevation view thereof.

FIG. 4 is a rear elevation view thereof.

FIG. 5 is a left side elevation view thereof.

FIG. 6 is a right side elevation view thereof.

FIG. 7 is a top plan view thereof.

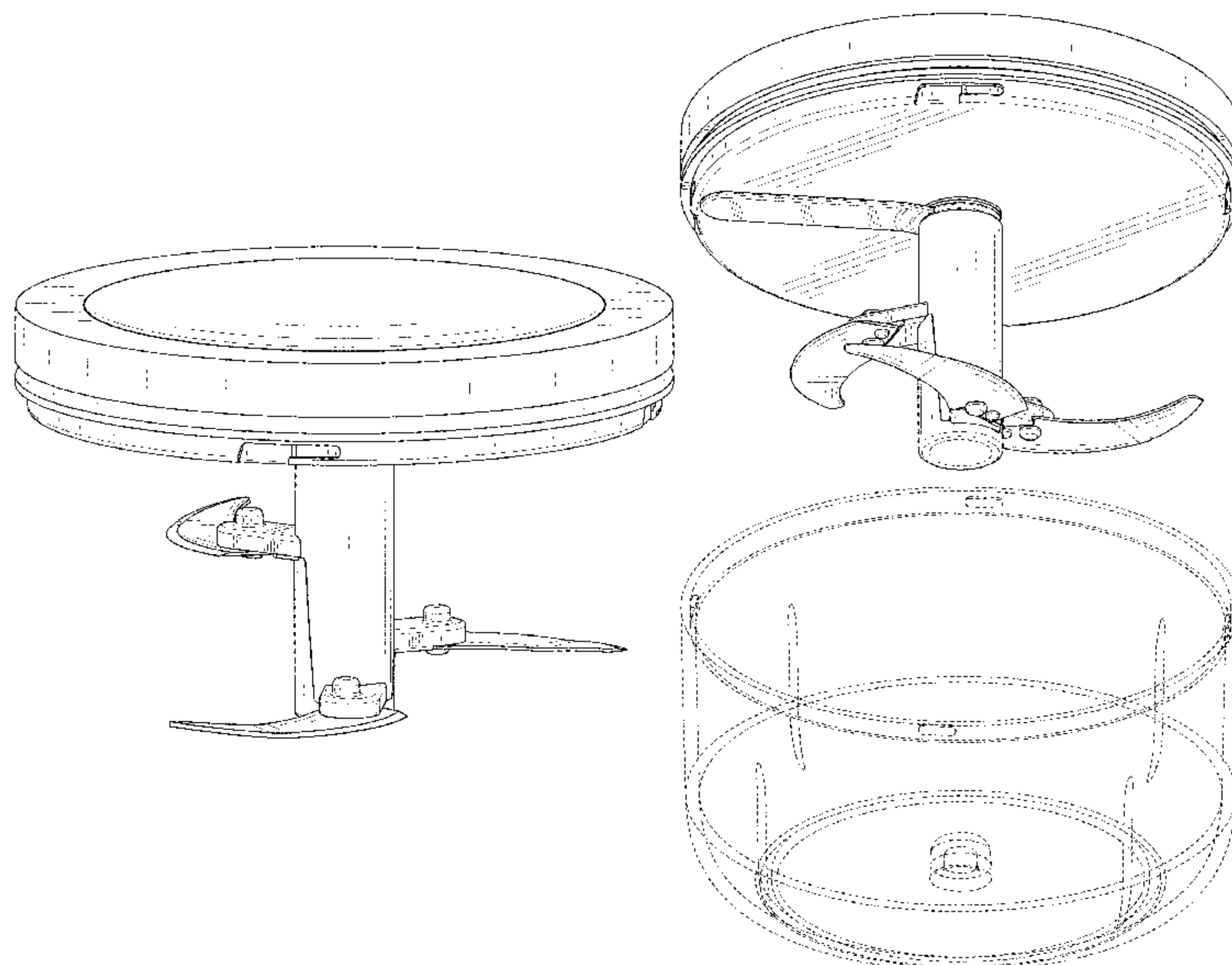
FIG. 8 is a bottom plan view thereof.

FIG. 9 is a reference view of the food processor showing a status when the food processor is covered on a mixing cup; and,

FIG. 10 is a perspective view of the food processor of FIG. 9 wherein the food processor and the mixing cup shown separately.

The broken lines shown in the drawings are included for the purpose of illustrating portions of the food processor that form no part of the claimed design.

1 Claim, 10 Drawing Sheets



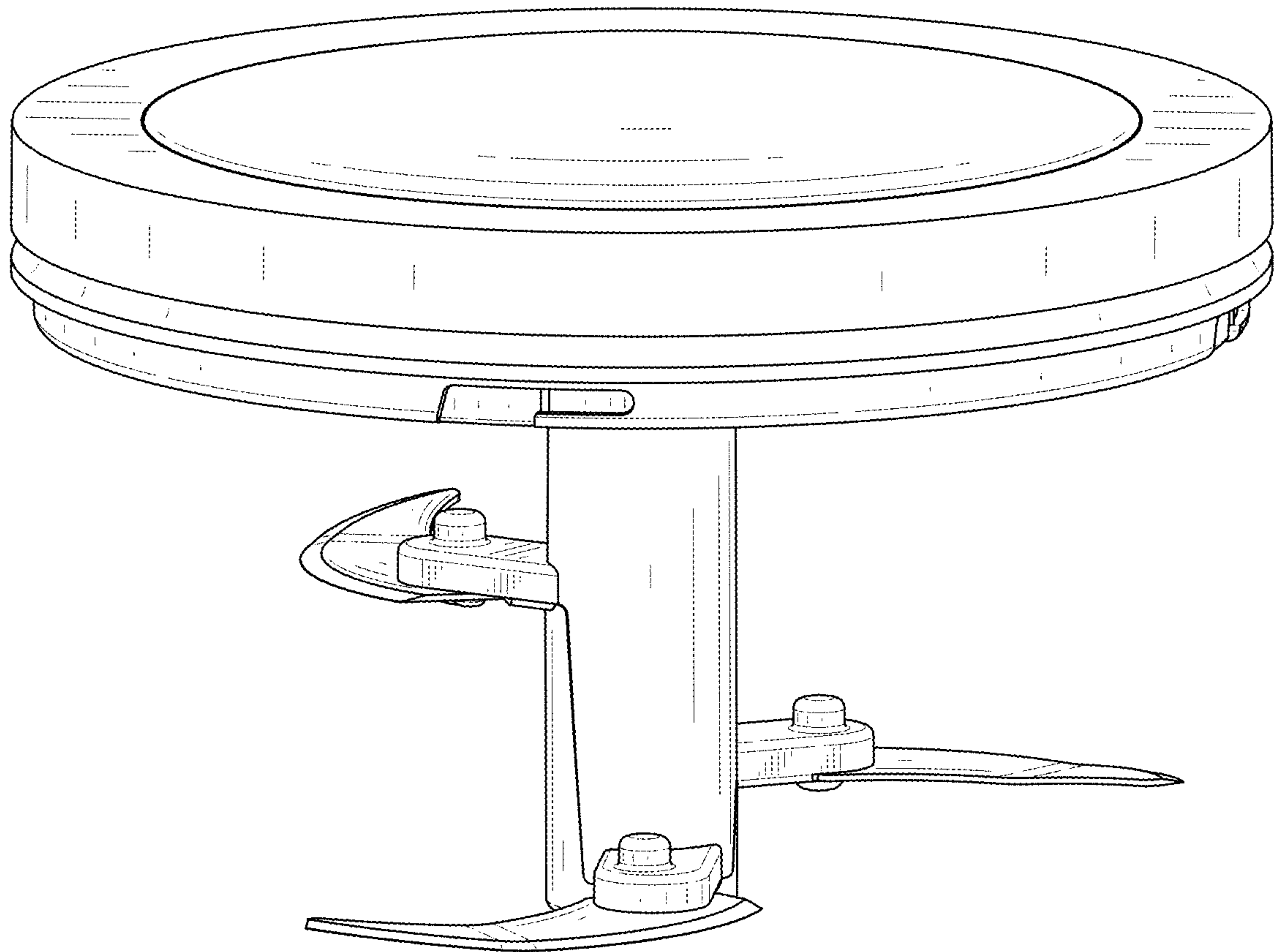


FIG. 1

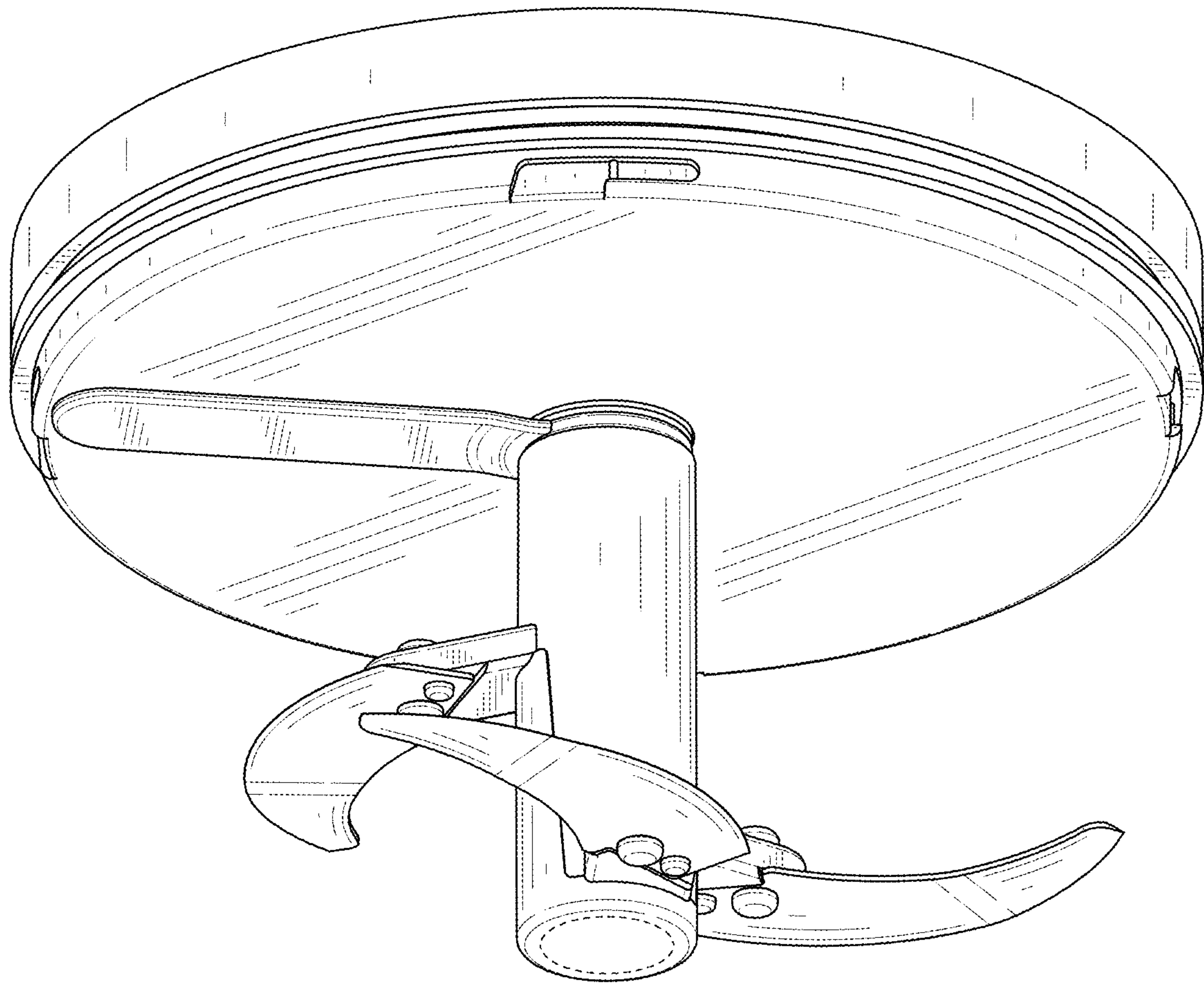


FIG. 2

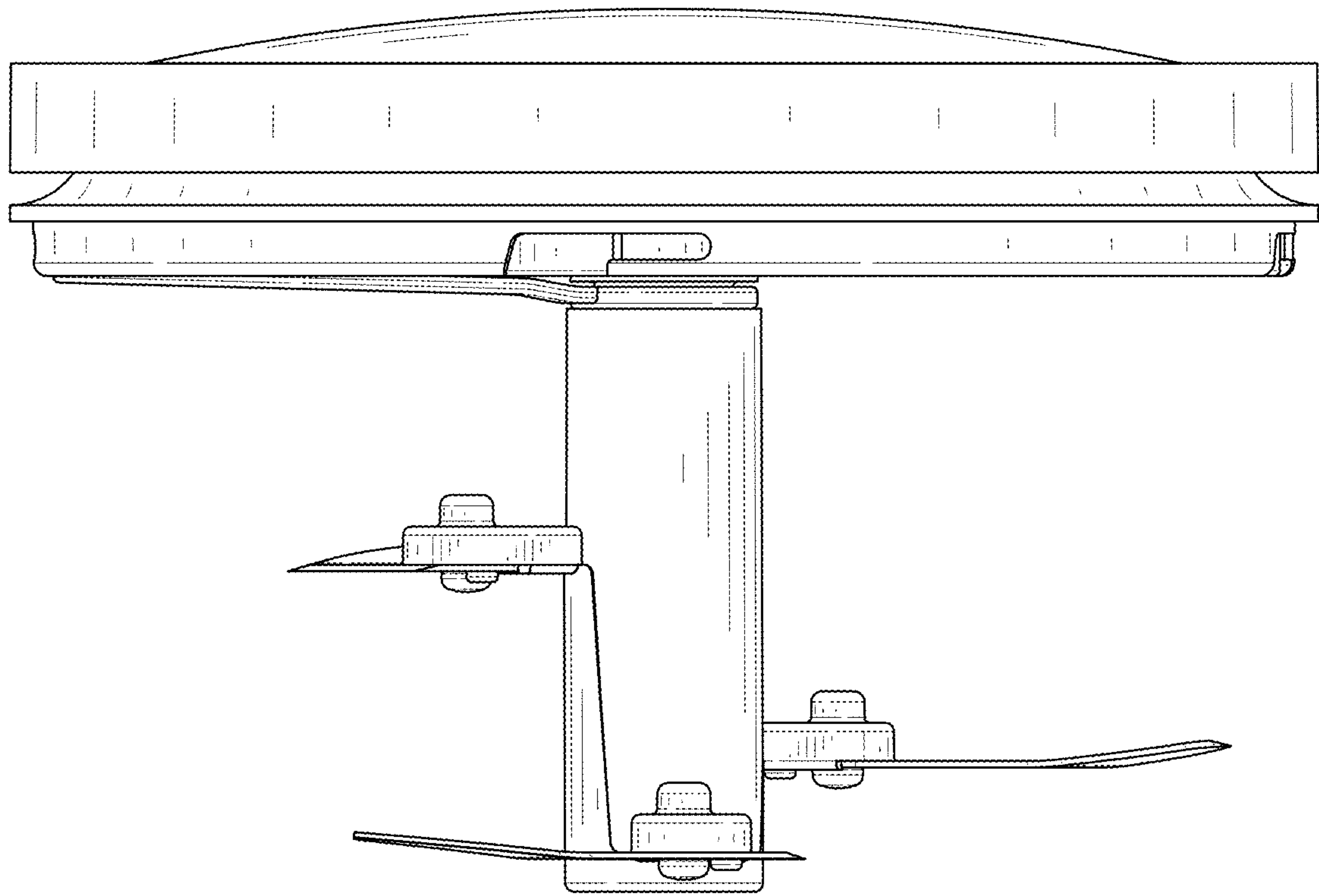


FIG. 3

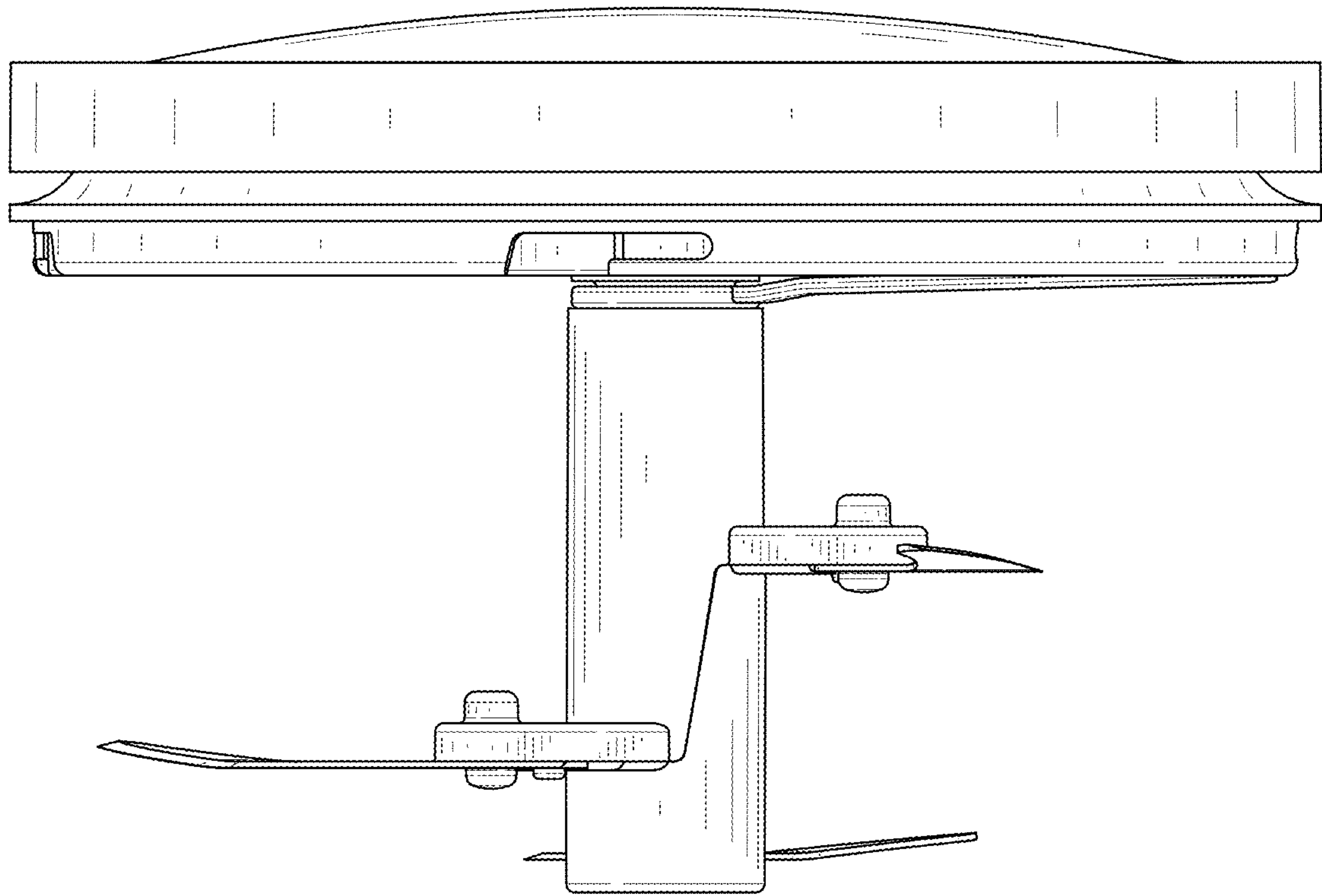


FIG. 4

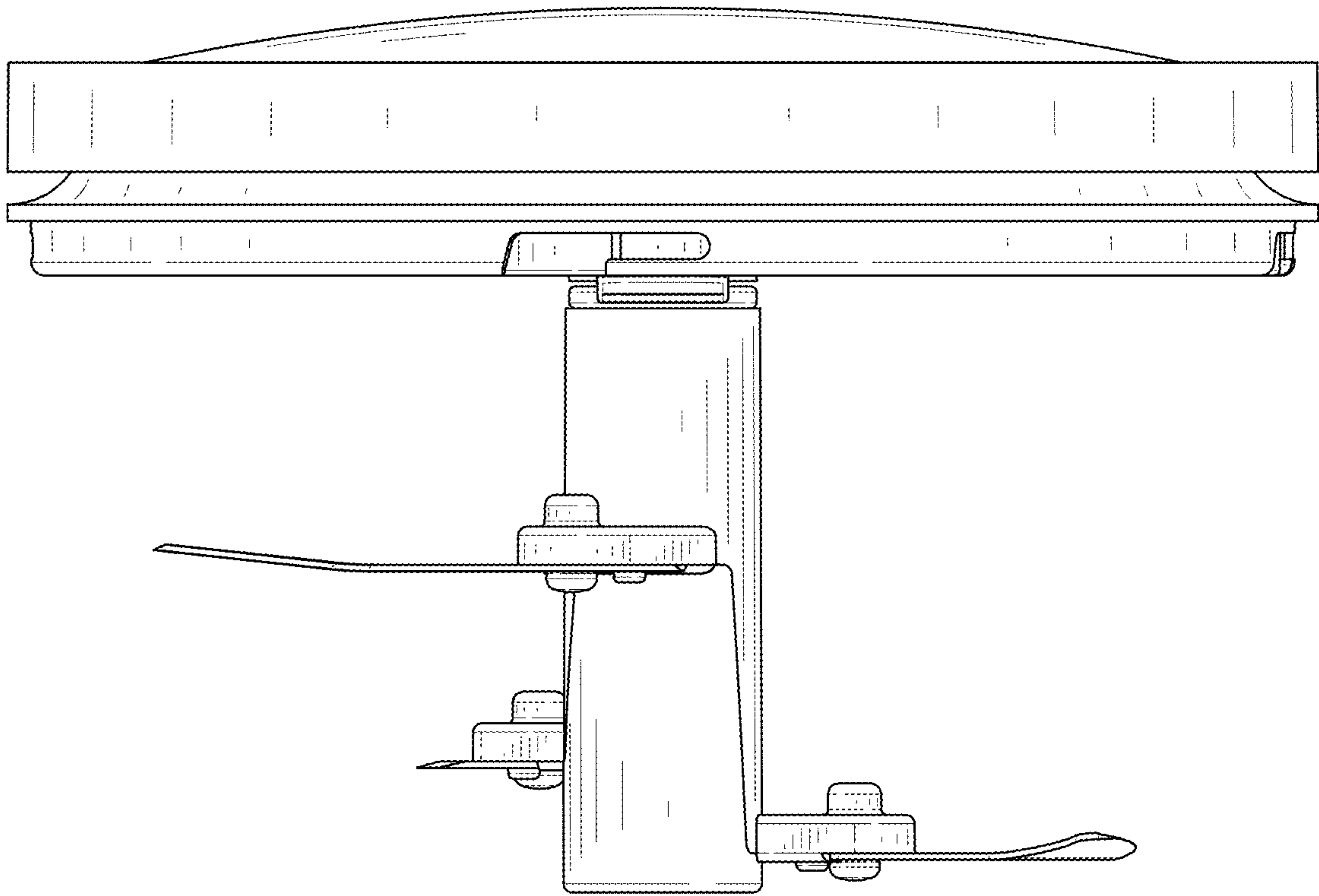


FIG. 5

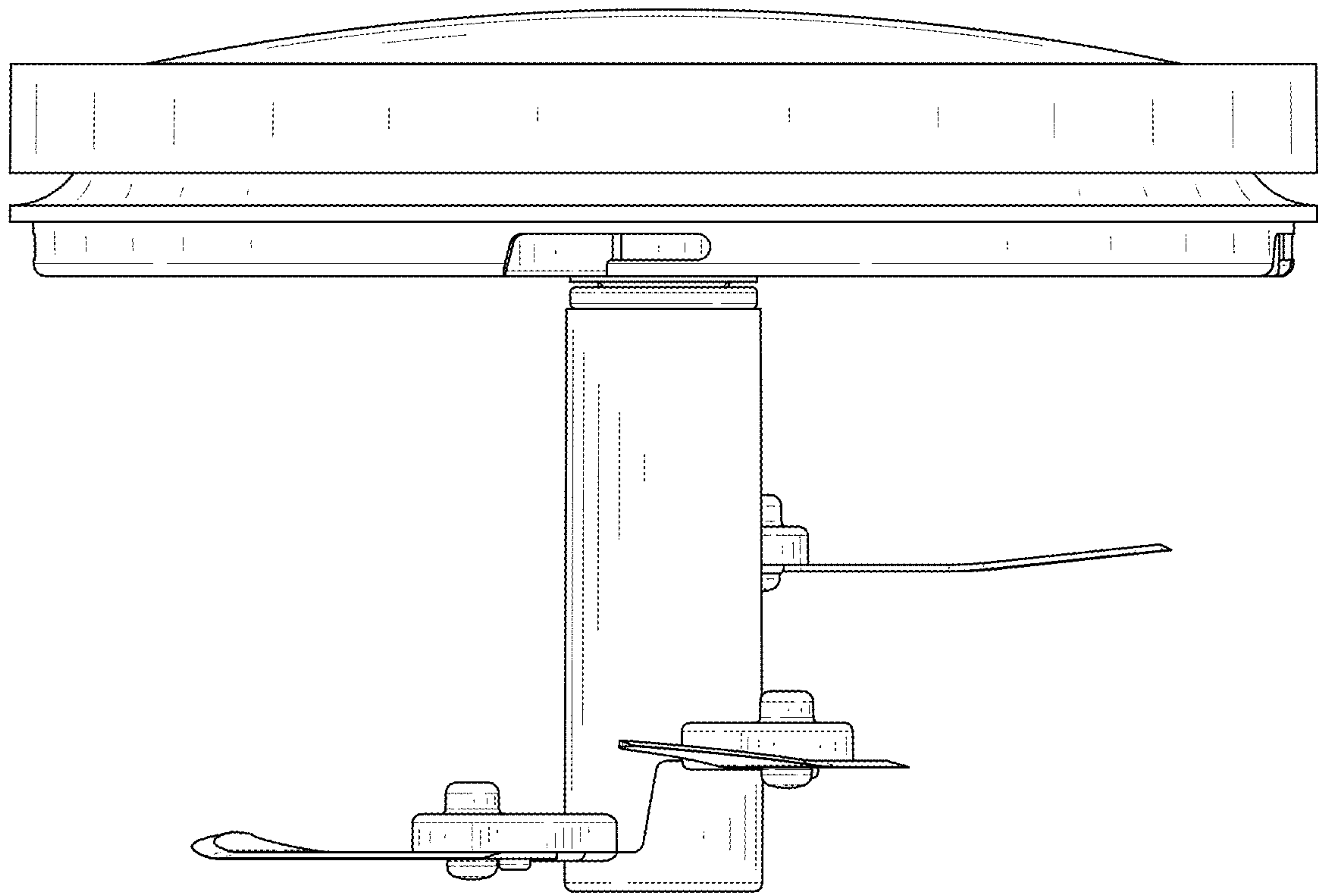


FIG. 6

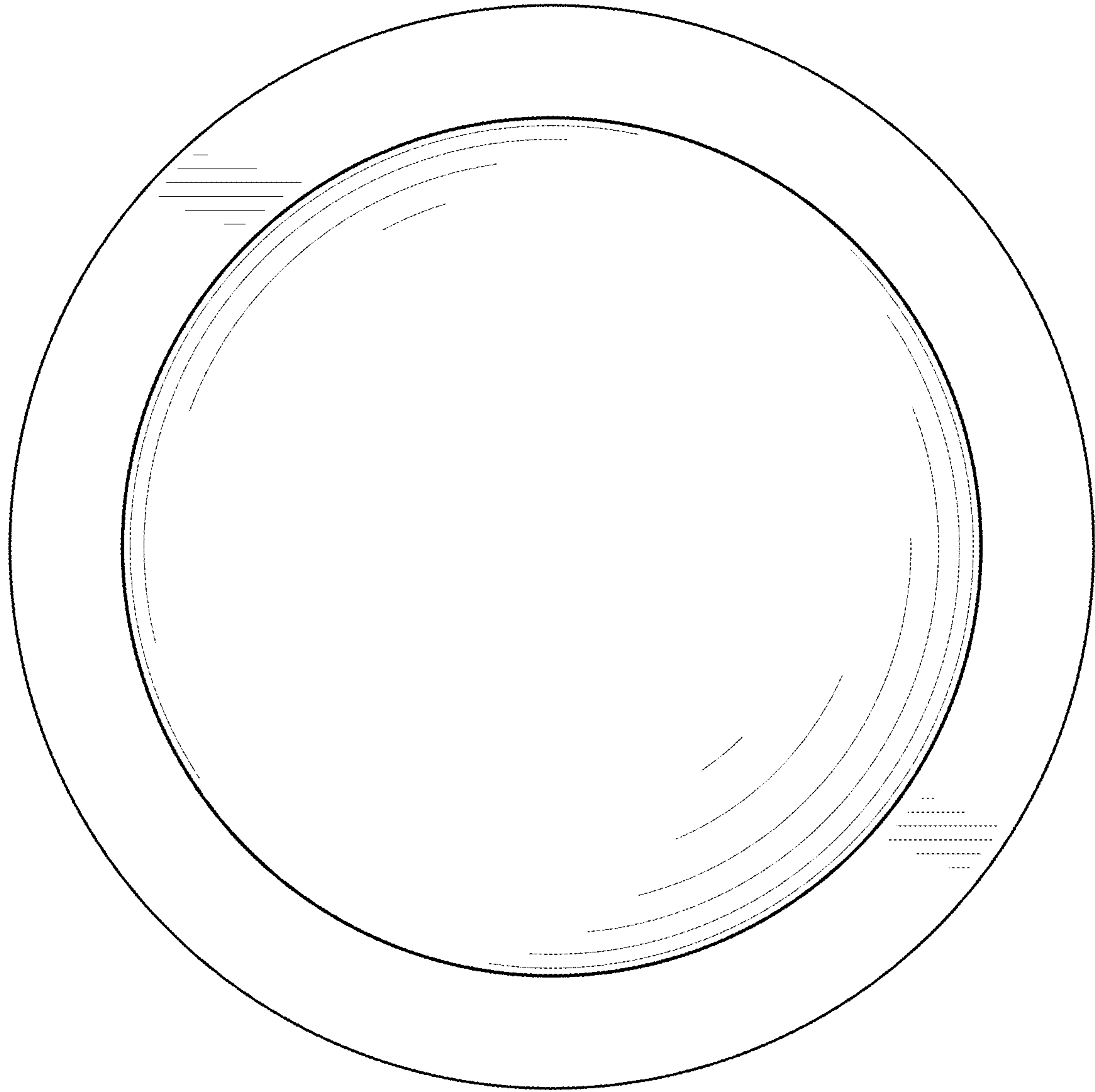


FIG. 7

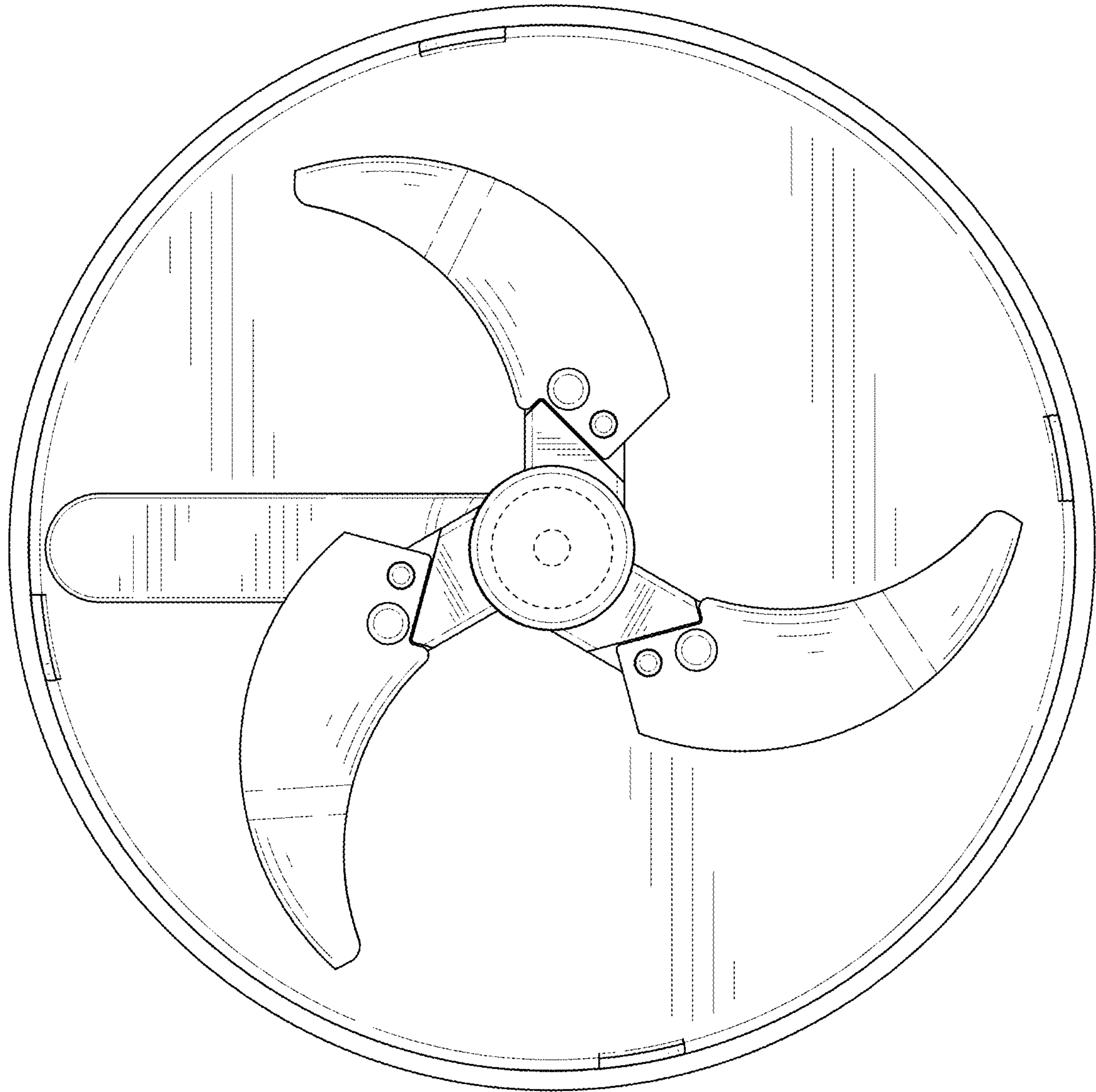


FIG. 8

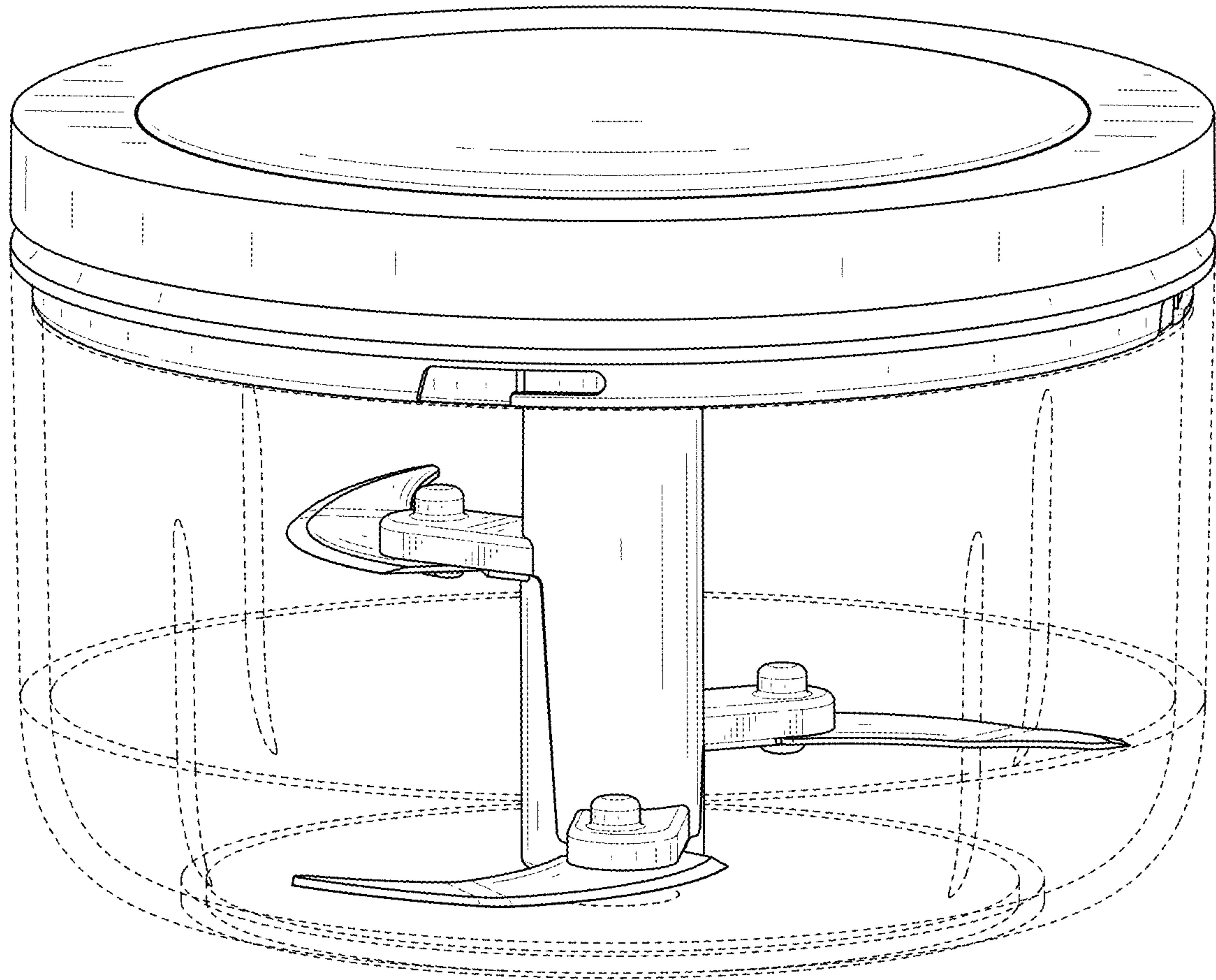


FIG. 9

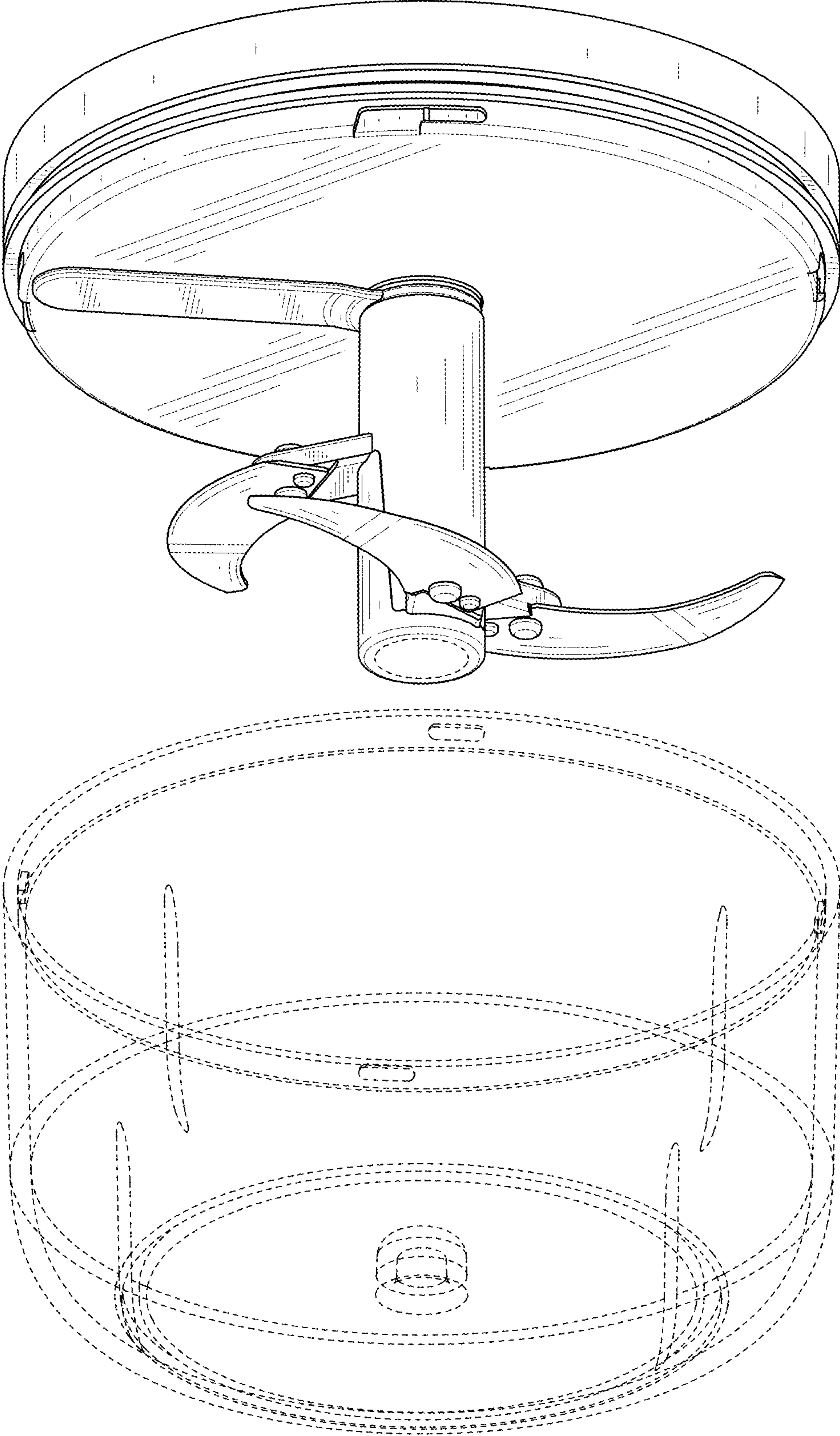


FIG. 10