



US00D933415S

(12) **United States Design Patent**
Yang et al.

(10) **Patent No.:** **US D933,415 S**
(45) **Date of Patent:** **** Oct. 19, 2021**

(54) **AIR FRYER**

(71) Applicant: **ETEK CITY CORPORATION**,
Anaheim, CA (US)

(72) Inventors: **Lin Yang**, Shenzhen (CN); **Hai Yang**,
Shenzhen (CN)

(**) Term: **15 Years**

(21) Appl. No.: **29/720,453**

(22) Filed: **Jan. 13, 2020**

(30) **Foreign Application Priority Data**

Jul. 12, 2019 (CN) 201930372081.1

(51) **LOC (13) Cl.** **07-02**

(52) **U.S. Cl.**
USPC **D7/354**

(58) **Field of Classification Search**
USPC D7/323, 337, 339, 340, 341, 346, 350.3,
D7/352, 354, 355, 356, 357, 358, 359,
D7/360, 361, 362, 363, 364, 365, 366,
D7/367, 402, 403, 406, 407, 601
CPC A21B 1/06; A21B 1/50; A21B 1/52; A47J
37/04; A47J 37/06; A47J 37/015; A47J
37/067; A47J 37/0611; A47J 37/0629;
A47J 37/0676; A47J 37/108; F24C 7/06;
F24C 7/083; F24C 15/02; F24C 15/66;
H05B 3/20; H05B 3/40
See application file for complete search history.

(56) **References Cited**

U.S. PATENT DOCUMENTS

D539,599	S	*	4/2007	De'Longhi	D7/354
D606,800	S	*	12/2009	Bodum	D7/354
D875,460	S	*	2/2020	Chen	D7/354
D875,462	S	*	2/2020	Chen	D7/354
D879,539	S	*	3/2020	Chen	D7/354
D879,540	S	*	3/2020	Chen	D7/354
D879,541	S	*	3/2020	Chen	D7/354
D879,542	S	*	3/2020	Chen	D7/354
D880,220	S	*	4/2020	Chen	D7/354

D883,729	S	*	5/2020	Yang	D7/354
D891,849	S	*	8/2020	Yang	D7/354
2019/0246835	A1	*	8/2019	Tsai	A47J 37/0641

OTHER PUBLICATIONS

Innsky Air Fryer, announced Aug. 1, 2019 [online], retrieved Dec. 18, 2020, retrieved from internet, https://www.amazon.com/Innsky-Touchscreen-Countertop-Dehydrator-Accessories/dp/B07RX9JQGN/ref=asc_df_B07RX9JQGN/?tag=hyprod-20&linkCode=df0&hvadid=366315314860&hvpos=&hvnetw=g&hvrnd=5846289653723937592&hvpone=.*

GoWISE USA® 12.7 qt. Air Fryer Oven, announced 2019 [online], retrieved Dec. 18, 2020, retrieved from internet, https://www.bedbathandbeyond.com/store/product/gowise-USA-reg-12-7-qt-air-fryer-oven-deluxe-with-accessories/5364691?skuId=68196172&engine=google&mcid=PS_googlepla_nonbrand_kitchenelectrics_online.*

Cosori Smart 5.8-Quart Air Fryer, announced May 6, 2020 [online], retrieved Dec. 18, 2020, retrieved from internet, https://www.staples.com/etekcity-5-5l-air-fryer-with-skewer-rack-set-black-cs158-af-r19/product_24436095.*

* cited by examiner

Primary Examiner — Dana K Weiland

Assistant Examiner — Messina L Smith

(74) *Attorney, Agent, or Firm* — Tsz Lung Yeung

(57) **CLAIM**

The ornamental design for an air fryer, as shown and described.

DESCRIPTION

FIG. 1 is a perspective view of an air fryer showing my new design;

FIG. 2 is a front view thereof;

FIG. 3 is a rear view thereof;

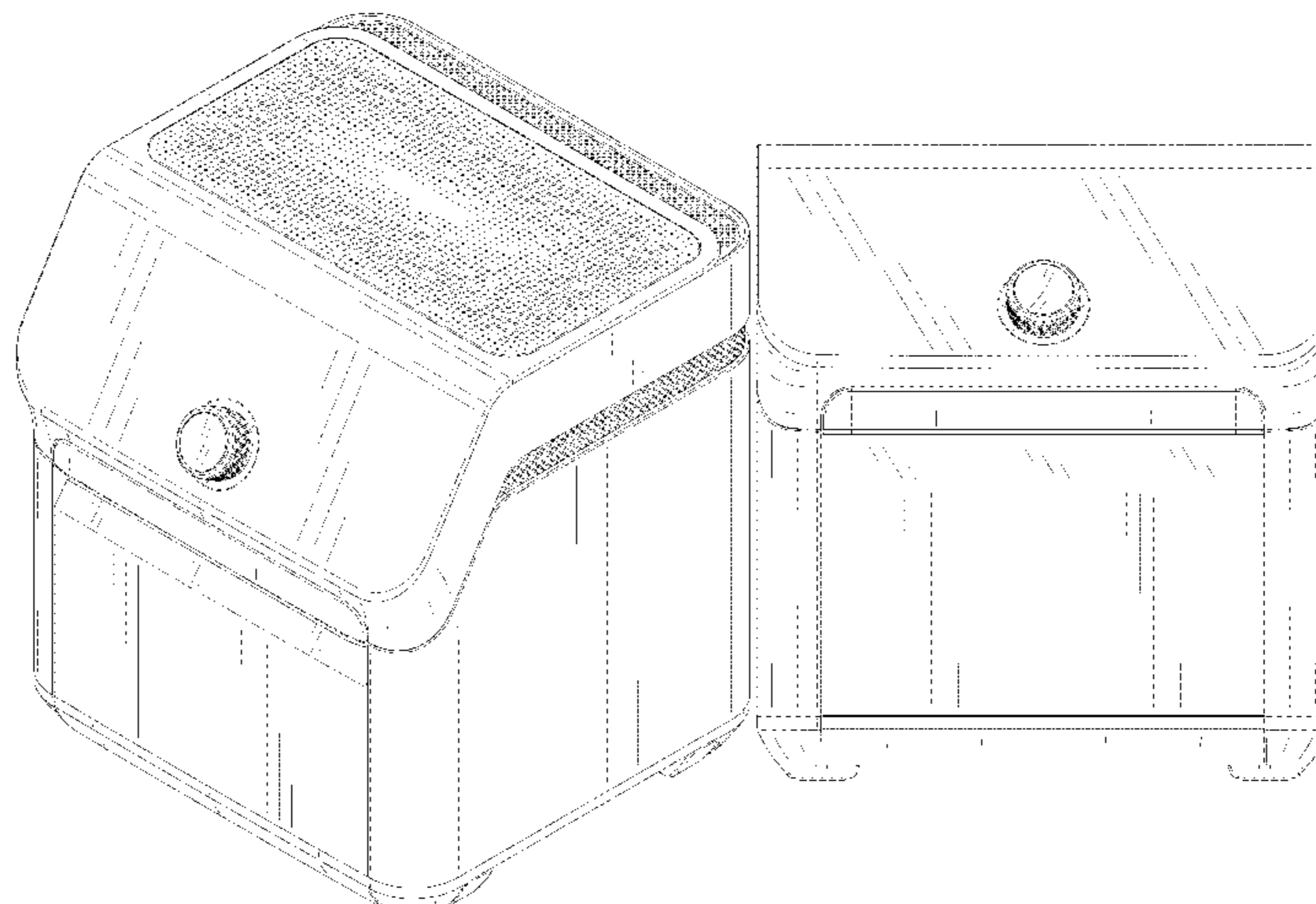
FIG. 4 is a left side view thereof;

FIG. 5 is a right side view thereof;

FIG. 6 is a top view thereof; and,

FIG. 7 is a bottom view thereof.

(Continued)



The broken lines depict portions of the air fryer that form no part of the claimed design.

1 Claim, 7 Drawing Sheets

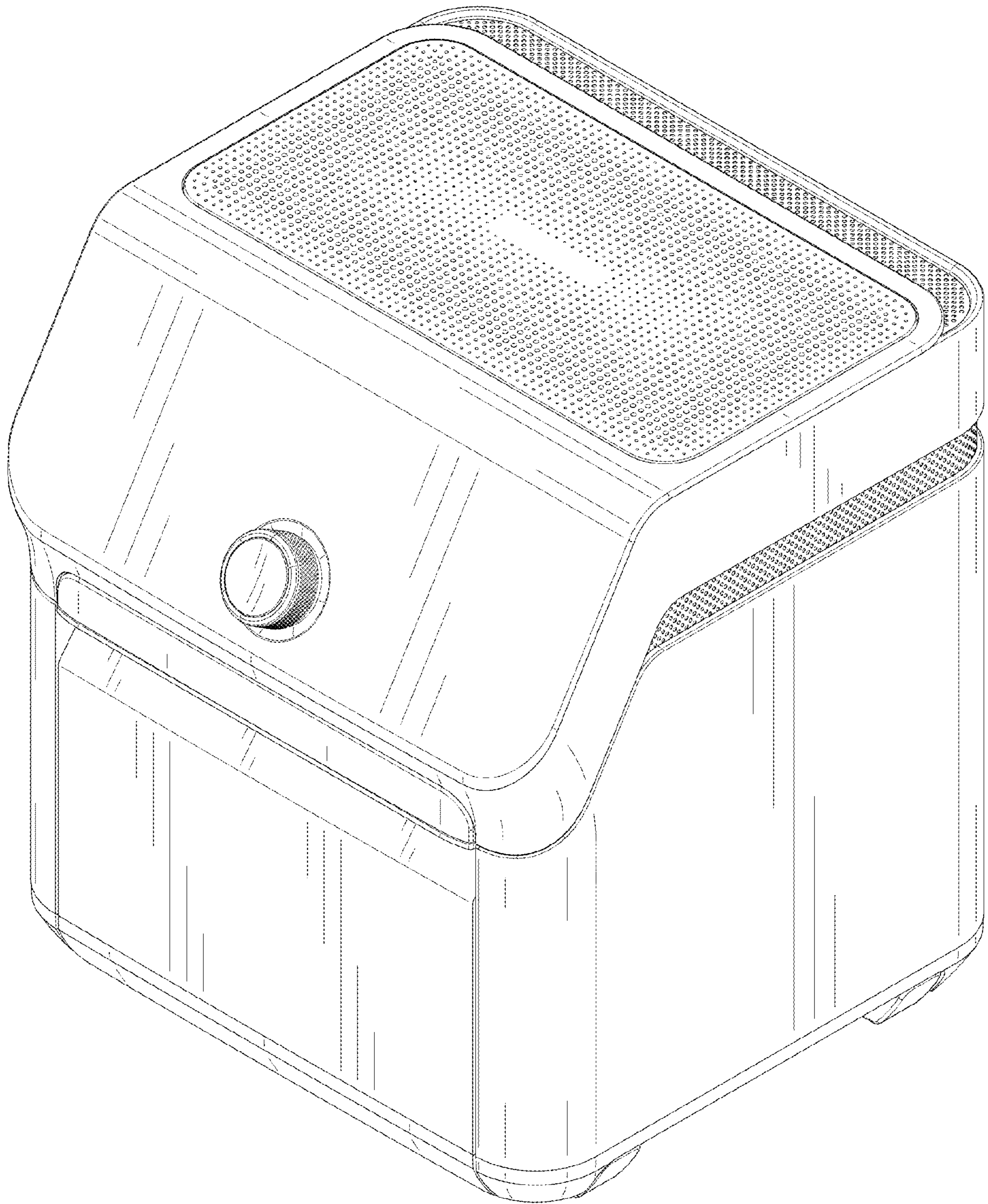


FIG. 1

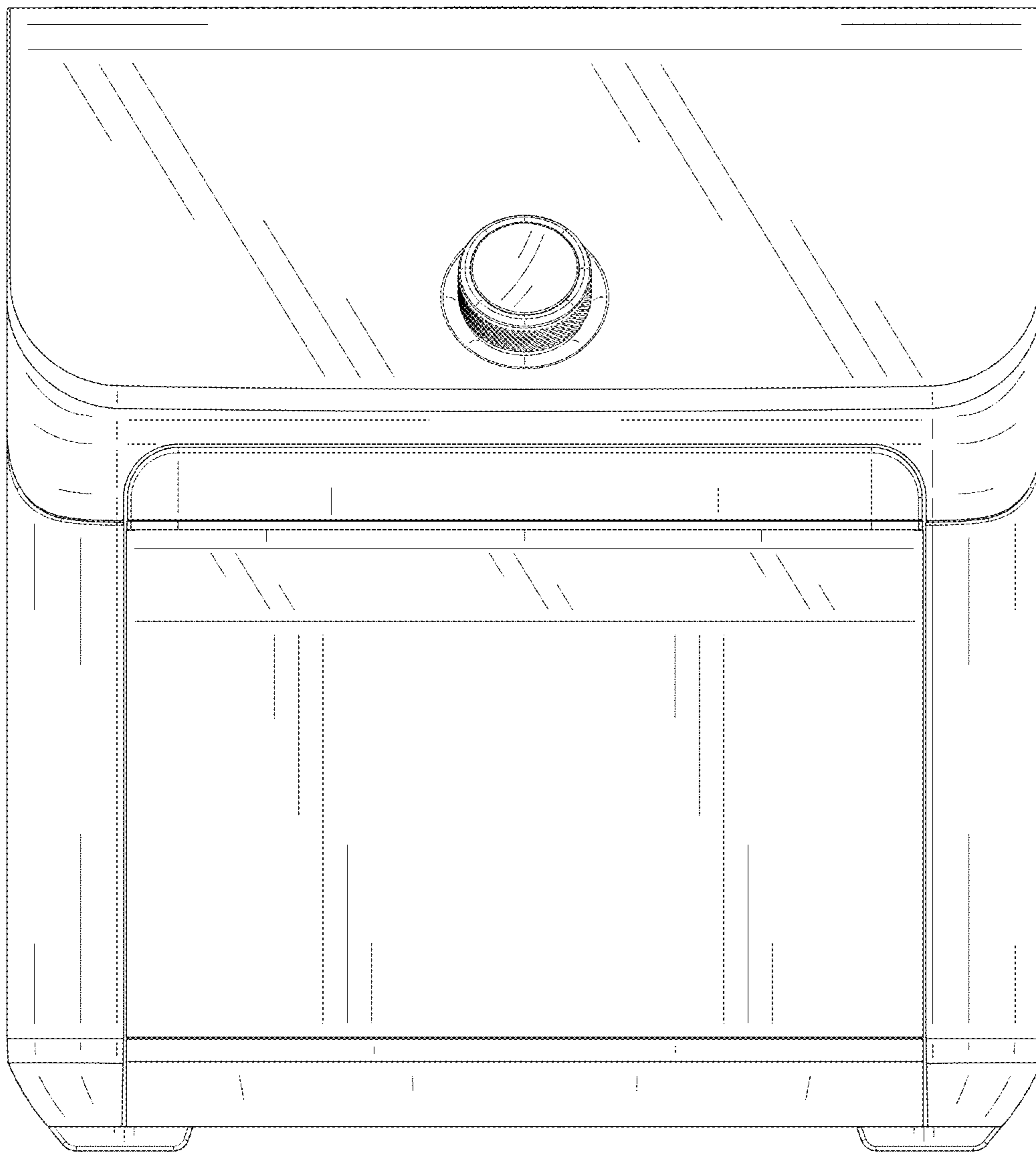


FIG. 2

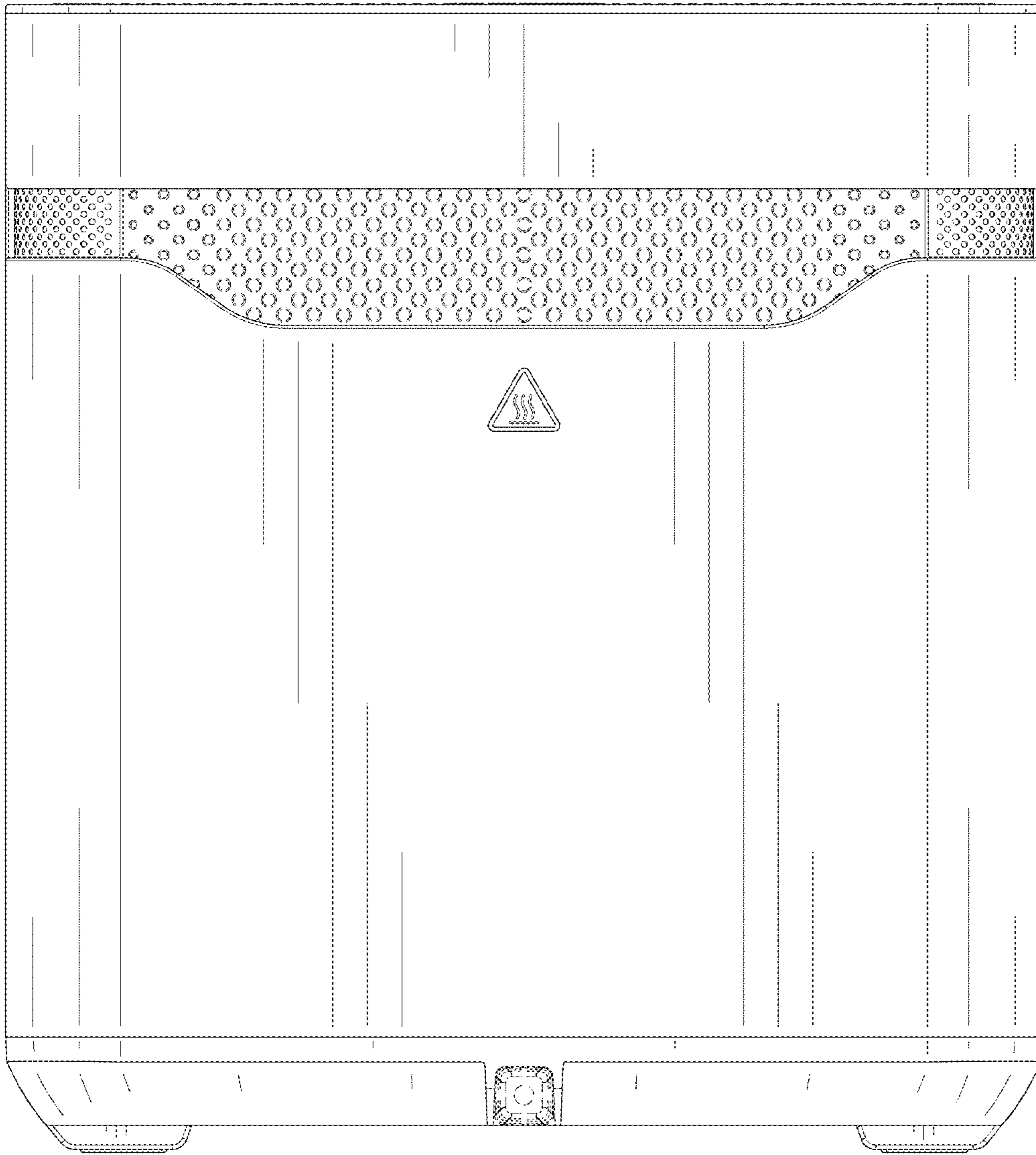


FIG. 3

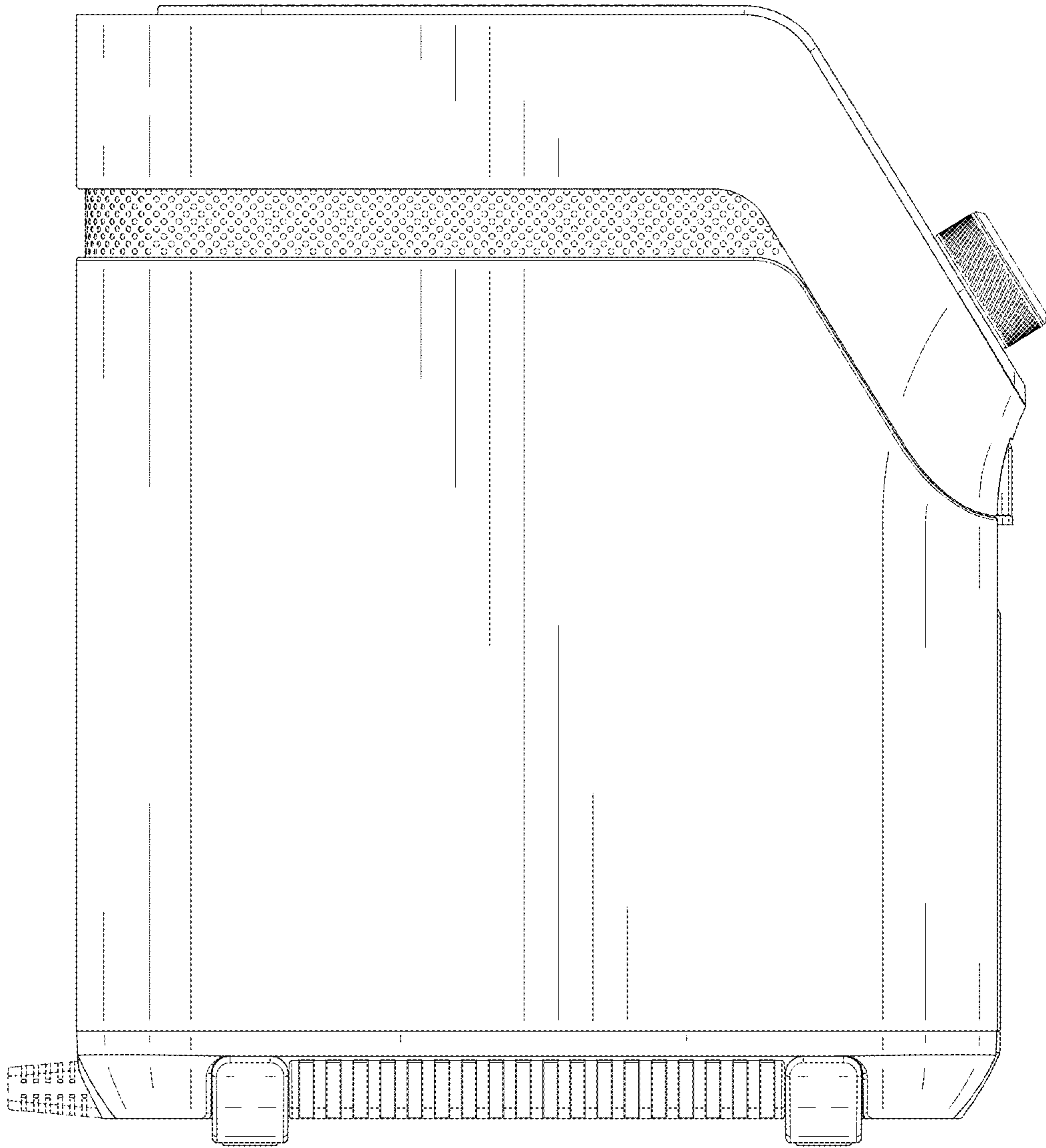


FIG. 4

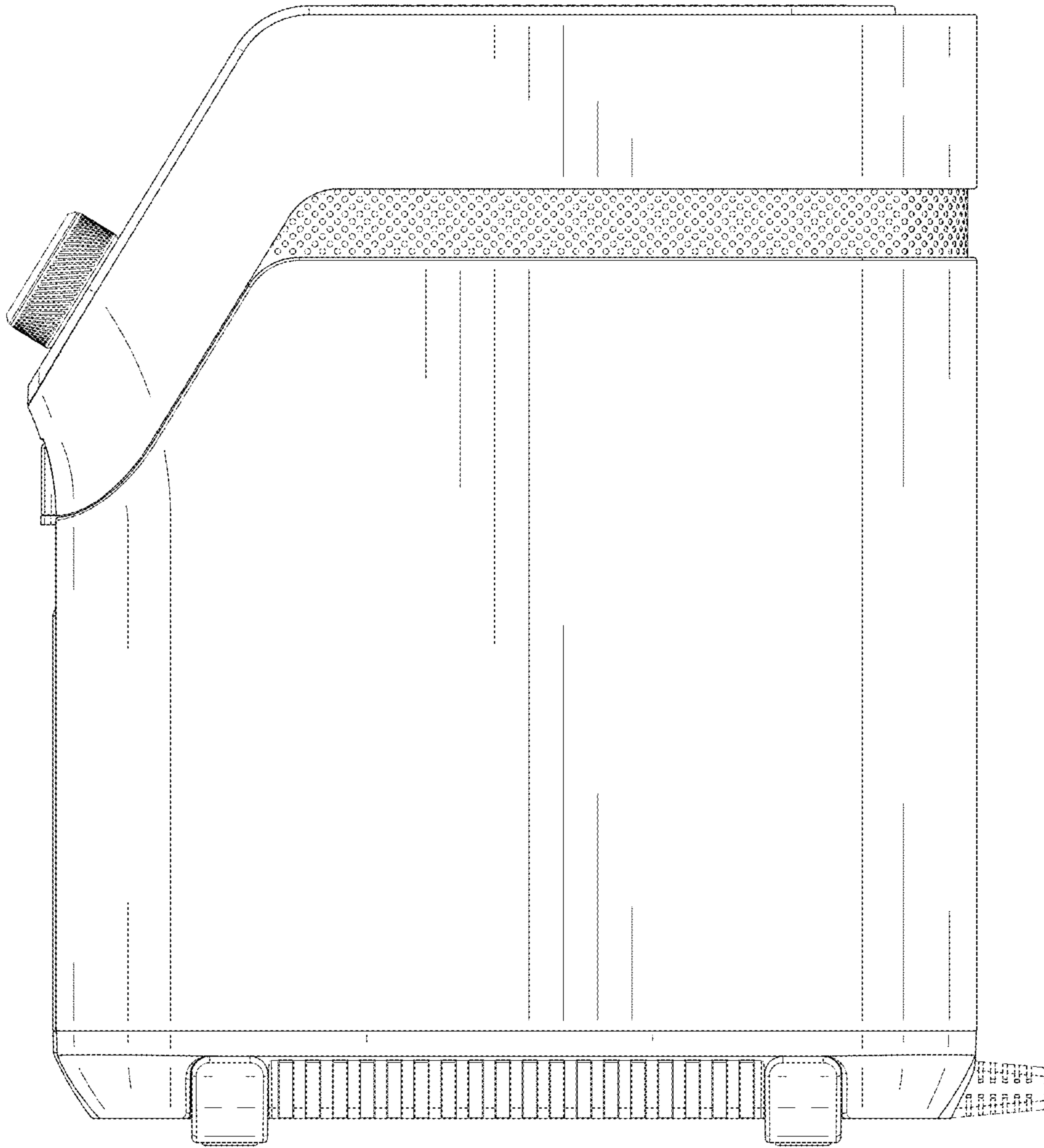


FIG. 5

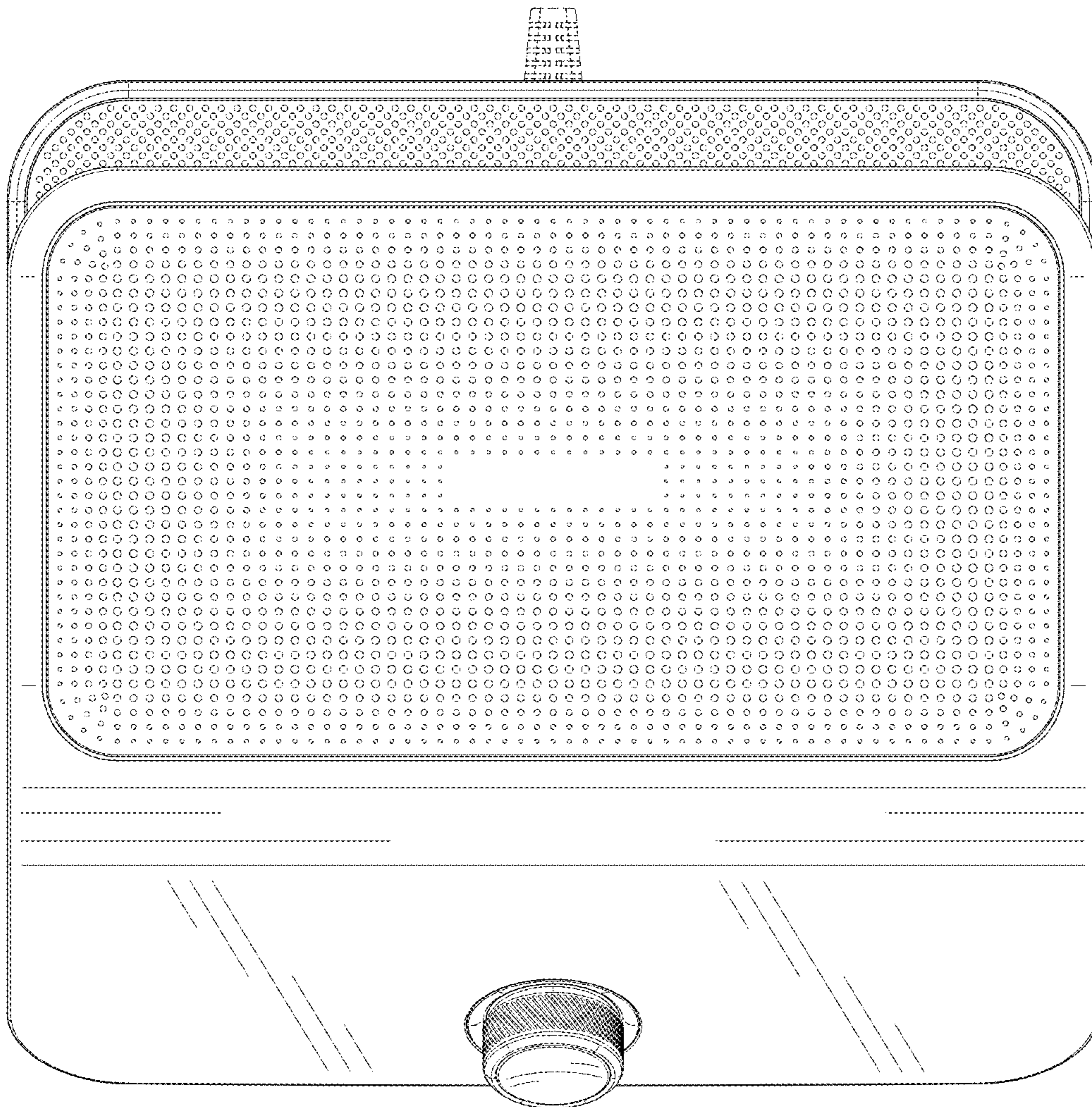


FIG. 6

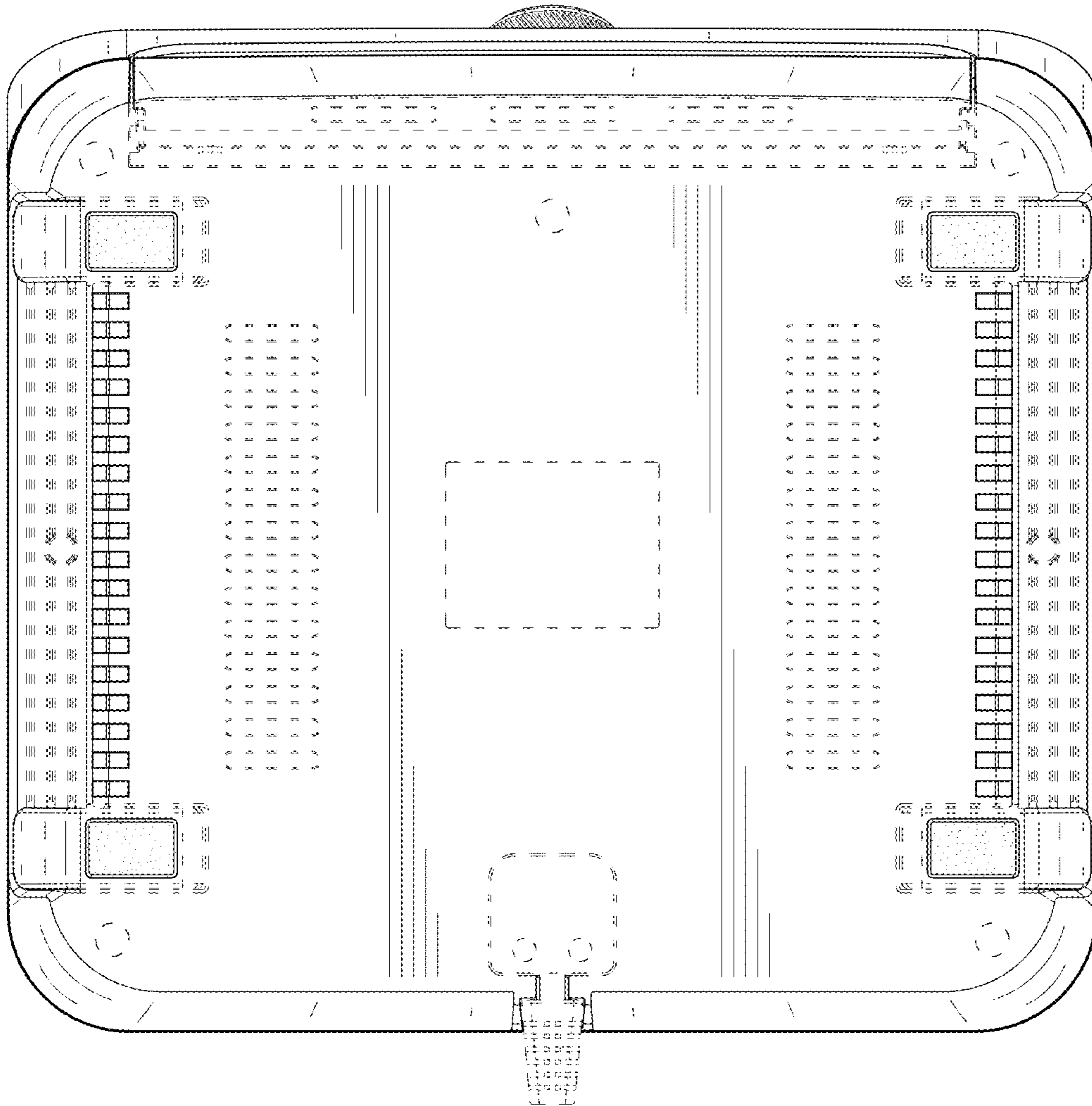


FIG. 7