



US00D933414S

(12) **United States Design Patent**  
**Zheng**

(10) **Patent No.:** **US D933,414 S**

(45) **Date of Patent:** **\*\* Oct. 19, 2021**

(54) **STOVE**

(71) Applicant: **Dongguan Chunyuan Environmental Protection Technology Co., Ltd.**,  
Dongguan (CN)

(72) Inventor: **Chicai Zheng**, Dongguan (CN)

(\*\*) Term: **15 Years**

(21) Appl. No.: **29/757,797**

(22) Filed: **Nov. 10, 2020**

(51) **LOC (13) Cl.** ..... **07-02**

(52) **U.S. Cl.**  
USPC ..... **D7/337**

(58) **Field of Classification Search**  
USPC ..... D7/332–337, 402–409, 366; D23/332,  
D23/336, 343, 348, 403, 415  
CPC .... A47J 37/07; A47J 37/0704; A47J 37/0763;  
A47J 37/0786; A47J 2037/0777; A47J  
33/00; A47J 37/0713; F24B 1/195; F24C  
3/14; F24C 1/16; F24C 5/20  
See application file for complete search history.

(56) **References Cited**

**U.S. PATENT DOCUMENTS**

D225,169 S *	11/1972	McGowan	.....	D7/366
D229,277 S *	11/1973	Ming-Kong	.....	D7/337
4,971,027 A *	11/1990	Krieger	.....	F24C 1/16 126/390.1
D379,900 S *	6/1997	Gillam	.....	D7/332
D389,009 S *	1/1998	Baykal	.....	D7/335
D505,589 S *	5/2005	Hoff	.....	D7/354
D522,797 S *	6/2006	Dowst	.....	D7/337
D547,592 S *	7/2007	Chiang	.....	D7/332
D548,513 S *	8/2007	Huang	.....	D7/332
D608,135 S *	1/2010	Siow	.....	D7/335

D612,662 S	3/2010	Lorenz et al.	
D667,253 S	9/2012	Warren	
D749,350 S *	2/2016	Longchamps	..... D7/332
D863,520 S	10/2019	Sengoku et al.	
D911,092 S *	2/2021	Zhang	..... D7/337
2007/0034198 A1 *	2/2007	Arad	..... F24C 3/14 126/9 R
2009/0025574 A1 *	1/2009	Byrnes	..... A47J 37/0786 99/447
2014/0261394 A1 *	9/2014	Evans	..... F24C 3/14 126/9 B
2017/0215642 A1 *	8/2017	Jenkins	..... F24C 3/14
2017/0251875 A1 *	9/2017	Robinson	..... A47J 37/07
2017/0254535 A1 *	9/2017	Schunk	..... A47J 33/00
2018/0119960 A1 *	5/2018	Fisher	..... F24C 1/16
2020/0166214 A1 *	5/2020	Cuffaro	..... F24C 3/14

\* cited by examiner

*Primary Examiner* — Brett Miller

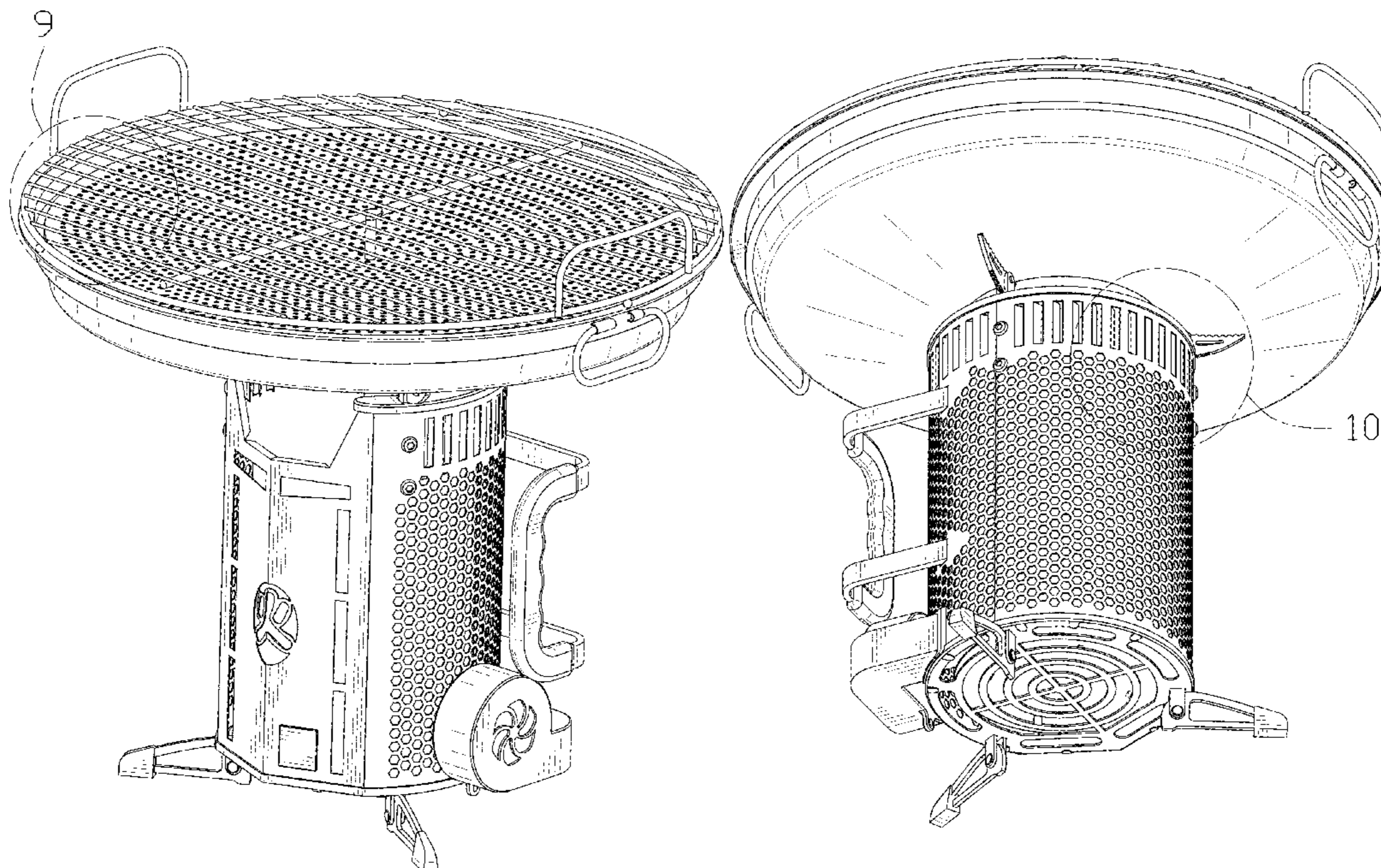
(57) **CLAIM**

The ornamental design for a stove, as shown and described.

**DESCRIPTION**

FIG. 1 is a first perspective view of a stove showing my new design;  
 FIG. 2 is a second perspective view thereof;  
 FIG. 3 is a front view thereof;  
 FIG. 4 is a back view thereof;  
 FIG. 5 is a left side view thereof;  
 FIG. 6 is a right side view thereof;  
 FIG. 7 is a top view thereof;  
 FIG. 8 is a bottom view thereof;  
 FIG. 9 is an enlarged view of the selected portion in FIG. 1;  
 and,  
 FIG. 10 is an enlarged view of the selected portion in FIG. 2.

**1 Claim, 10 Drawing Sheets**



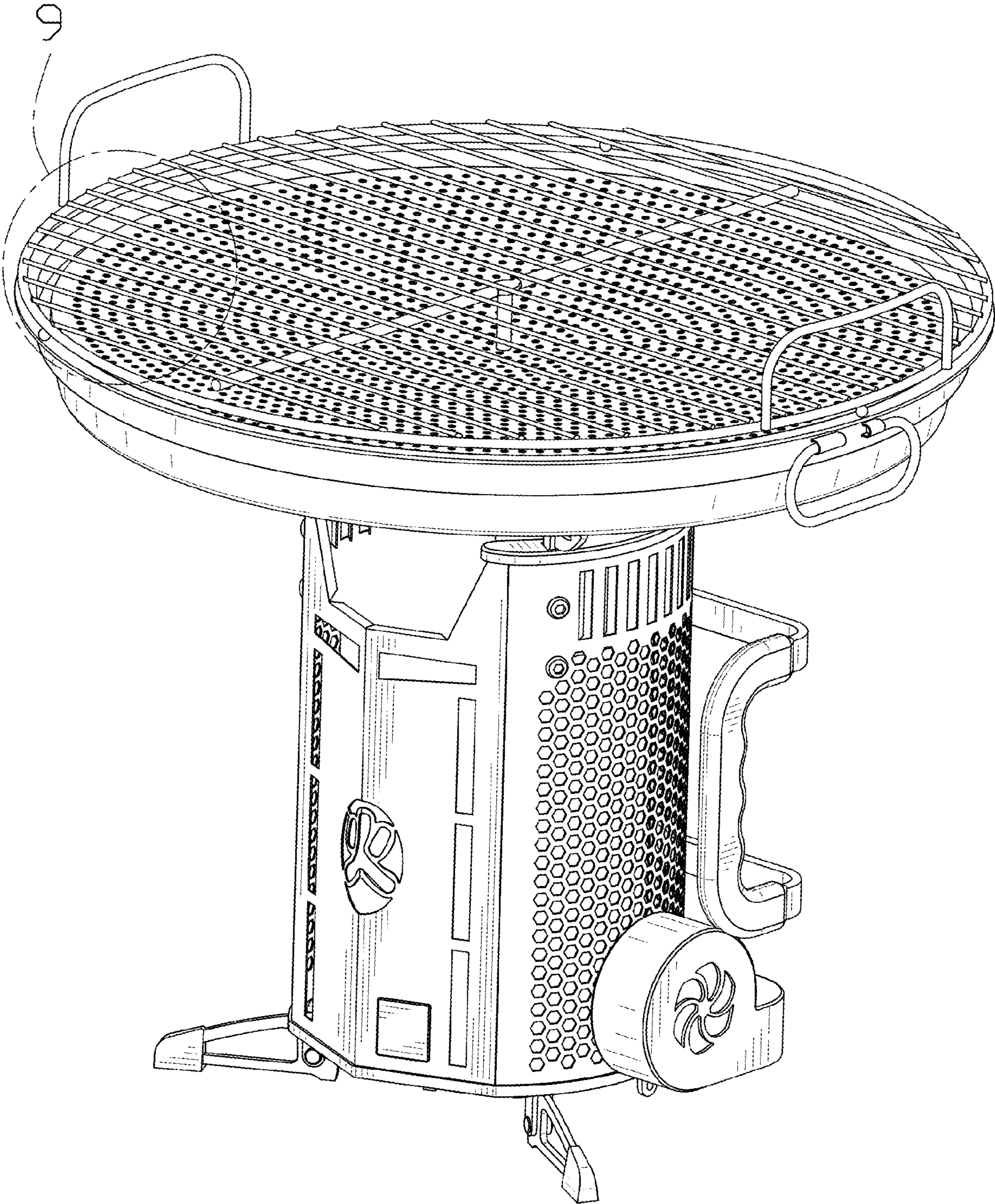


FIG. 1

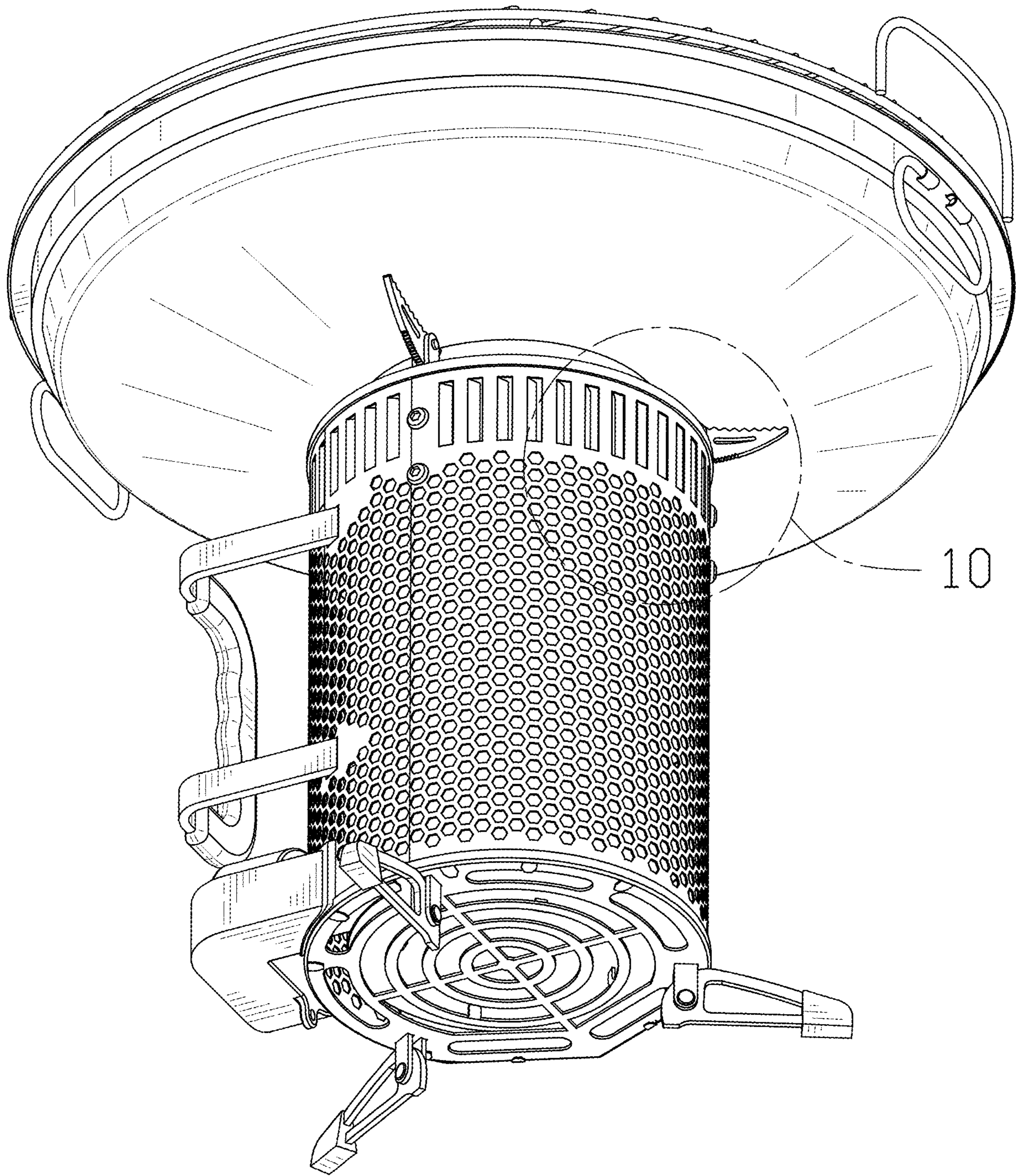


FIG. 2

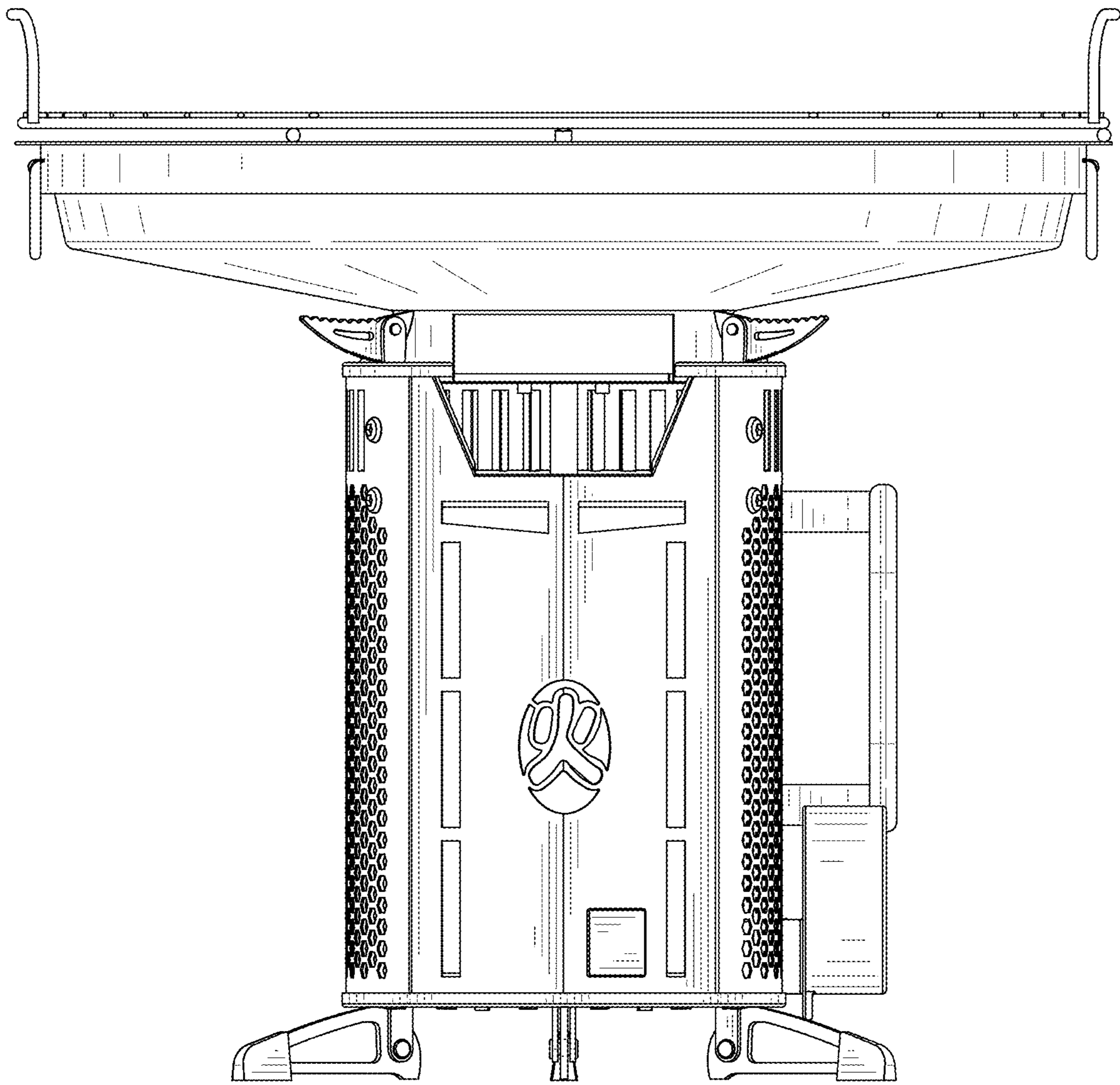


FIG. 3

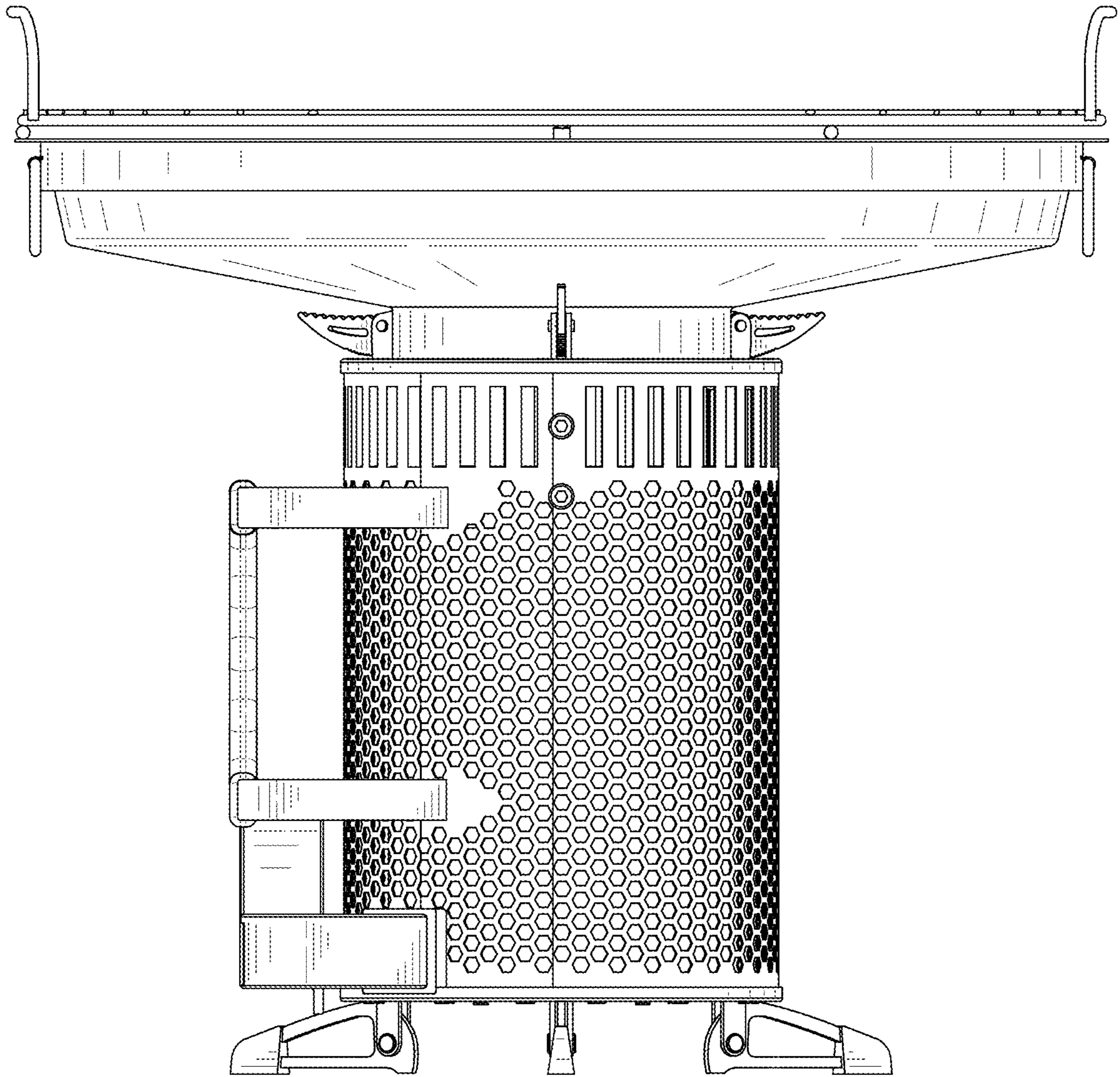


FIG. 4

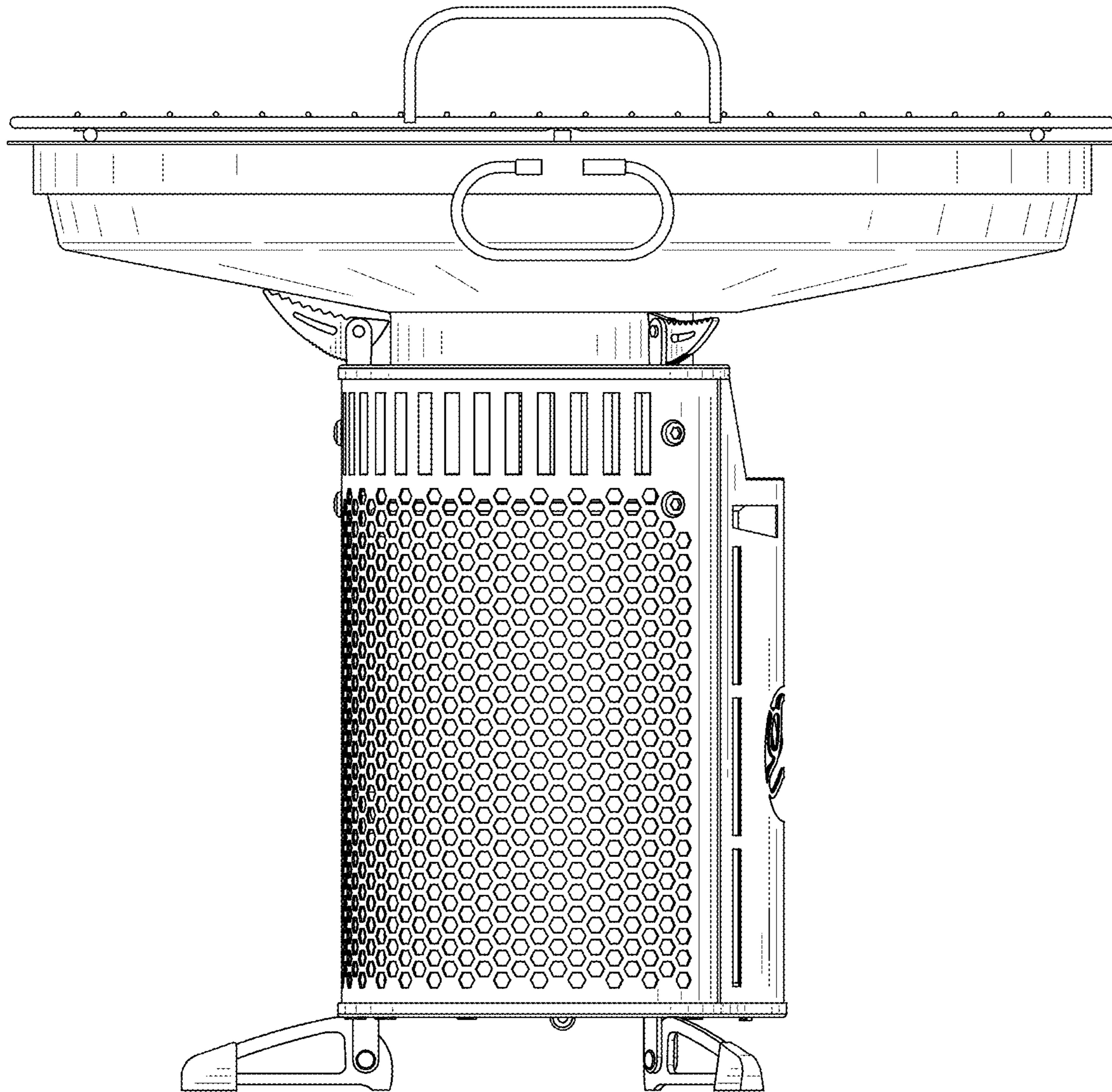


FIG. 5

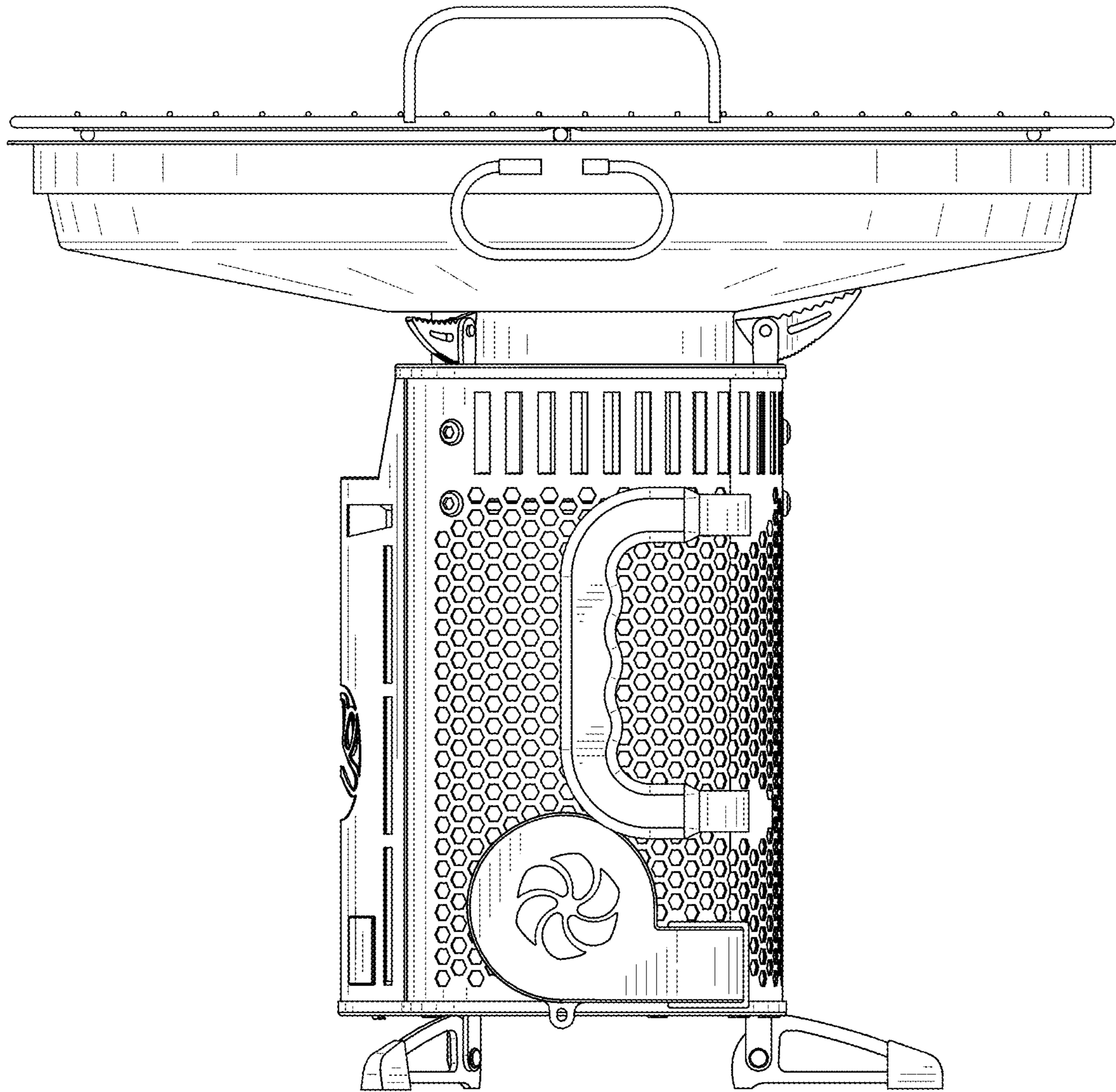


FIG. 6

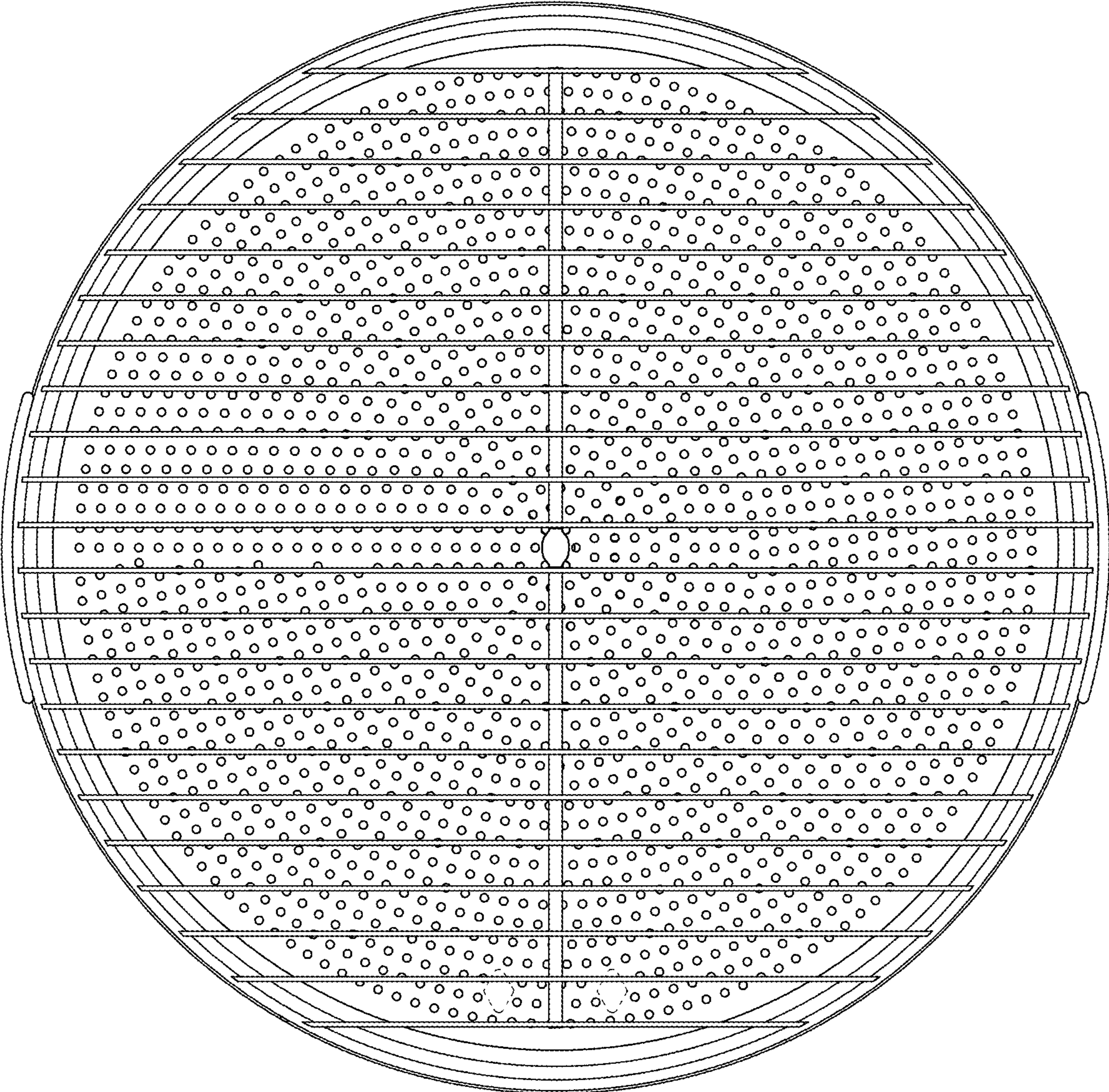


FIG. 7



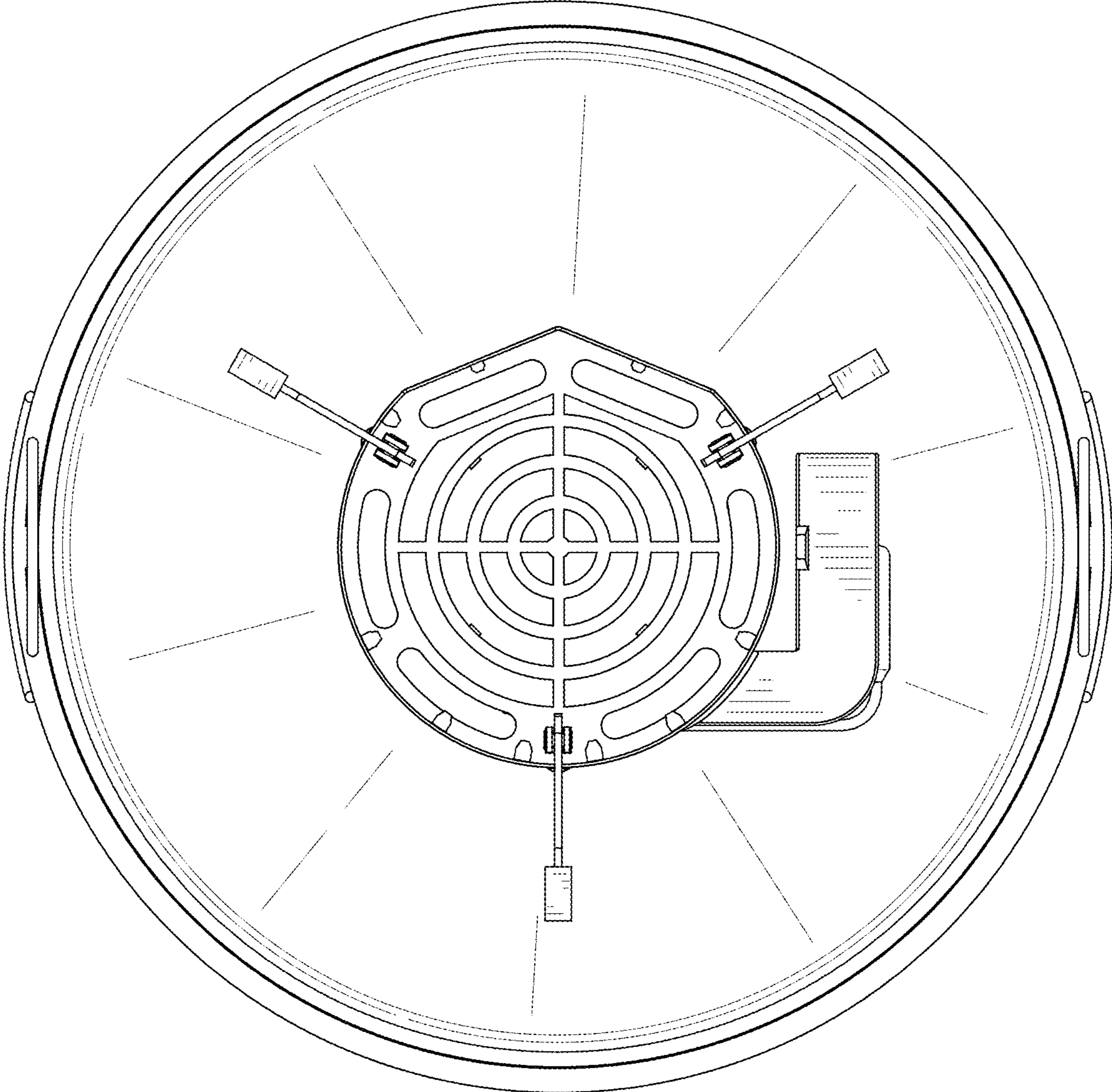


FIG. 8

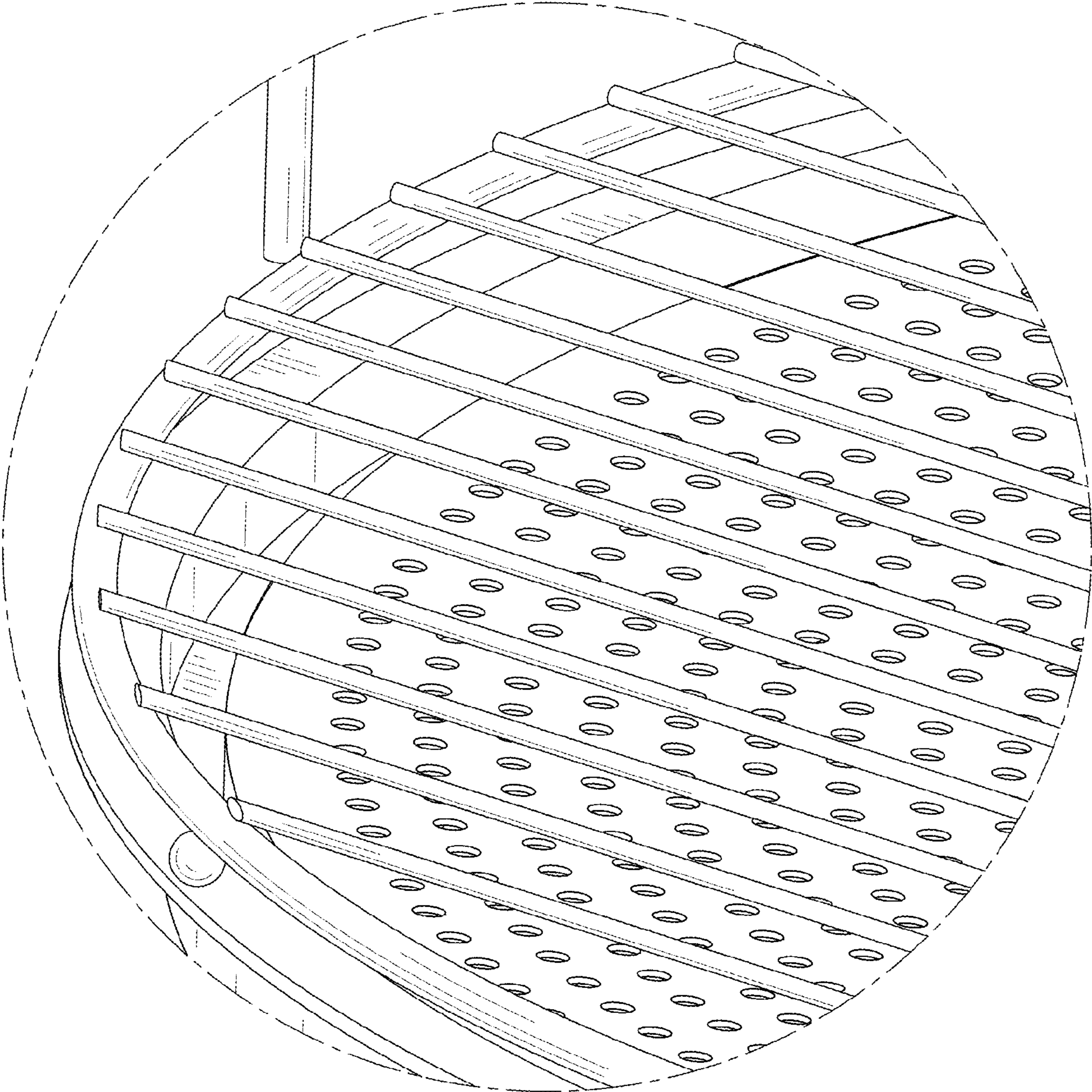


FIG. 9

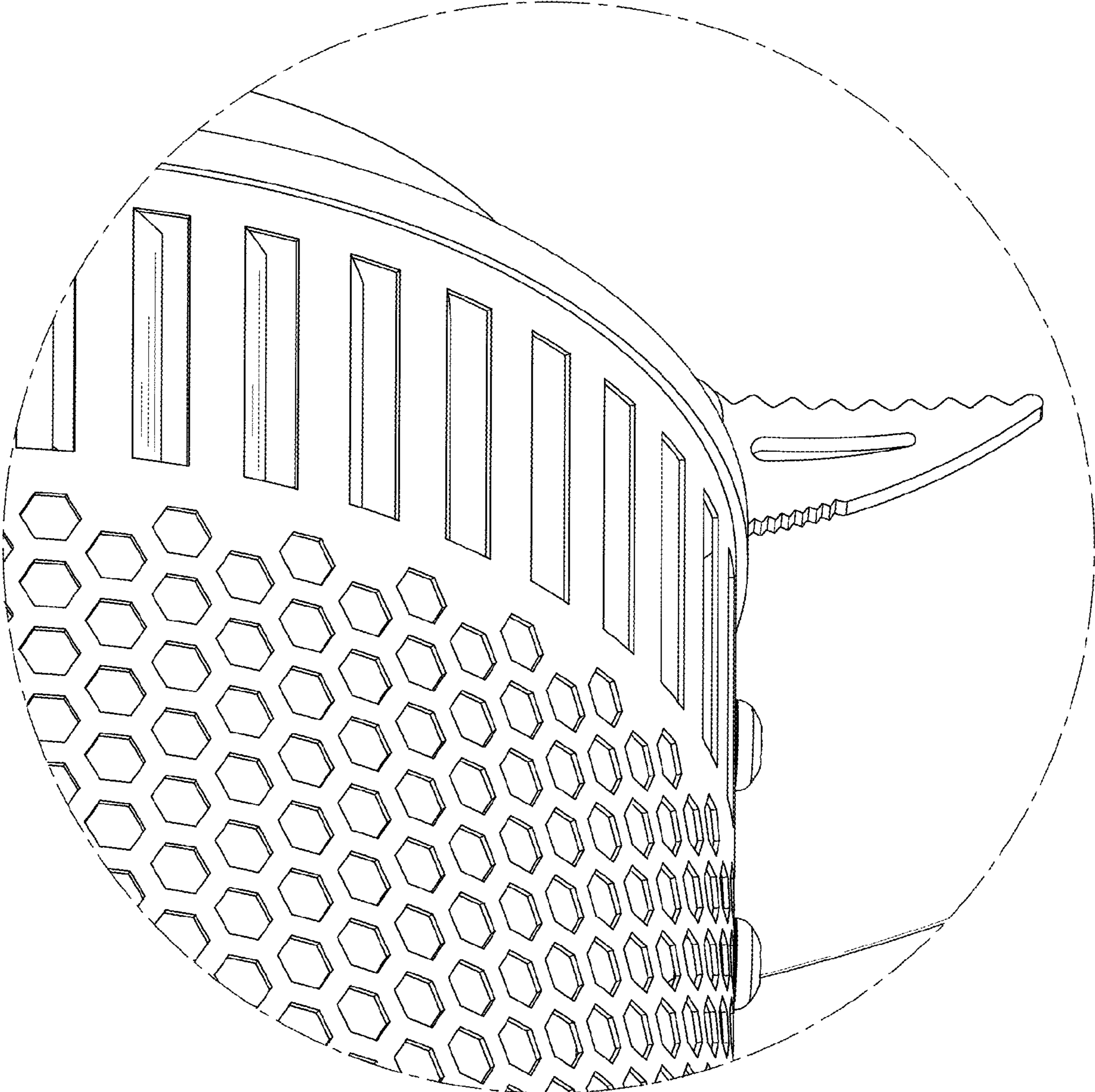


FIG. 10