



US00D933413S

(12) **United States Design Patent**  
**Simpson**

(10) **Patent No.:** **US D933,413 S**  
(45) **Date of Patent:** **\*\* Oct. 19, 2021**

(54) **BARBECUE COOKING APPARATUS**

*Primary Examiner* — Brett Miller

(71) Applicant: **Robert Simpson**, Pine Grove, CA (US)

(72) Inventor: **Robert Simpson**, Pine Grove, CA (US)

(\*\*) Term: **15 Years**

(21) Appl. No.: **29/764,316**

(22) Filed: **Dec. 29, 2020**

**Related U.S. Application Data**

(63) Continuation-in-part of application No. 16/386,066, filed on Apr. 16, 2019, now Pat. No. 10,905,283.

(51) **LOC (13) Cl.** ..... **07-02**

(52) **U.S. Cl.**  
USPC ..... **D7/332**

(58) **Field of Classification Search**

USPC ..... D7/332-337, 402-409, 352, 353,  
D7/360-362, 323; D23/415  
CPC .... A47J 37/0704; A47J 37/0763; A47J 37/07;  
A47J 37/0786; A47J 2037/0777; A47J  
37/0713; A47J 2037/0795; A47J 37/04;  
F24C 3/14; F24C 1/16; F24C 5/20; A23B  
4/052; A23B 4/0523; A23B 4/044  
See application file for complete search history.

(56) **References Cited**

**U.S. PATENT DOCUMENTS**

4,971,027 A \* 11/1990 Krieger ..... F24C 1/16  
126/390.1  
5,216,947 A \* 6/1993 Cheng ..... A47J 27/05  
126/348

(Continued)

**OTHER PUBLICATIONS**

Jame Feldmar, The Grills and Smokers That True Pitmasters Love, May 20, 2019, Eater, <https://www.eater.com/2019/5/20/18627731/barbecue-grills-smokers-recommended-pitmasters> (Year: 2019).\*

(Continued)

(57) **CLAIM**

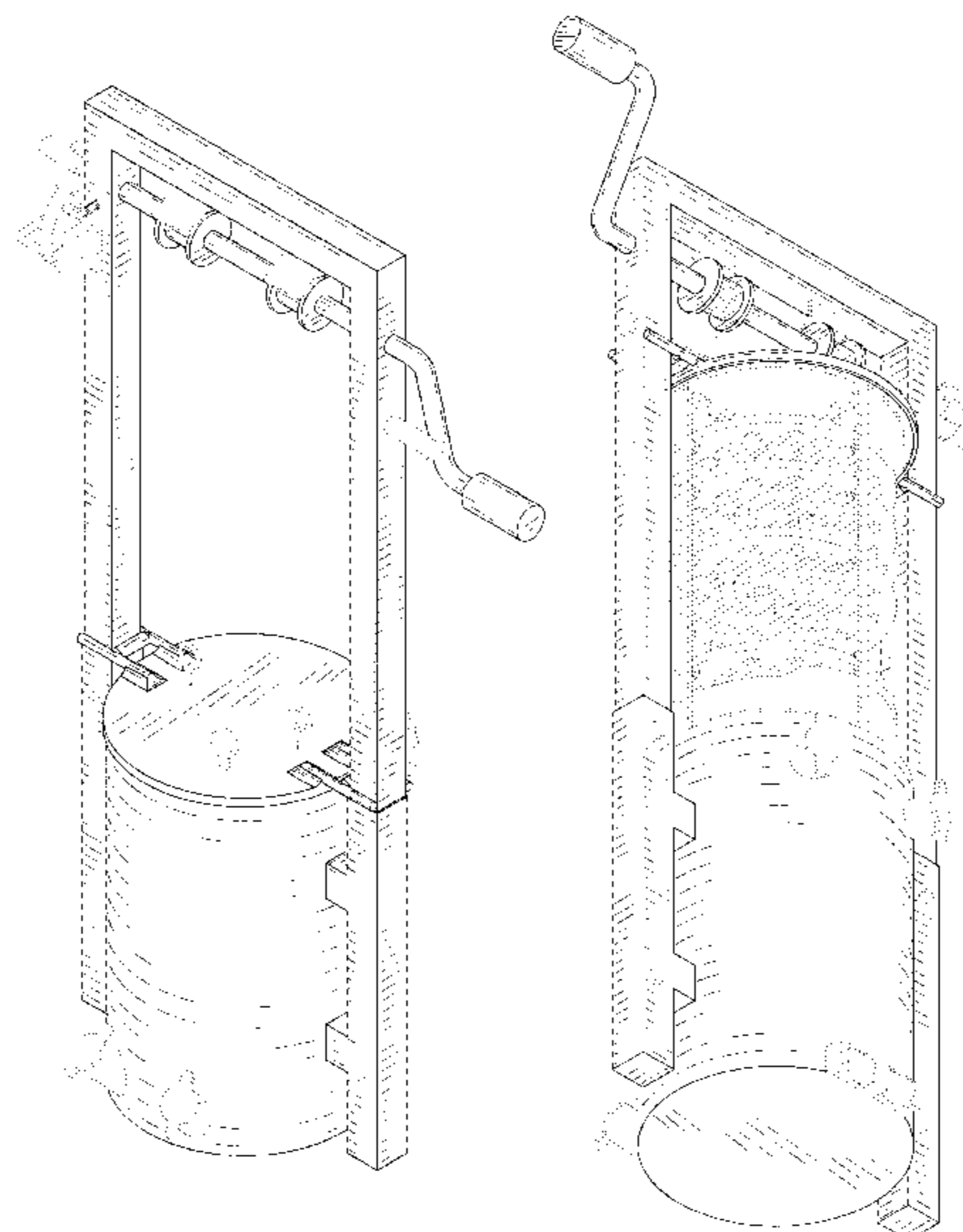
The ornamental design for a barbecue cooking apparatus, as shown and described.

**DESCRIPTION**

FIG. 1 is a top-front-left perspective view of a barbecue cooking apparatus showing my new design; FIG. 2 is a top-rear-right perspective view thereof; FIG. 3 is a bottom-front-right perspective view thereof; FIG. 4 is a bottom-rear-left perspective view thereof; FIG. 5 is a front elevated view thereof; FIG. 6 is a rear elevated view thereof; FIG. 7 is a top plan view thereof; FIG. 8 is a bottom plan view thereof; FIG. 9 is a right elevated view thereof; FIG. 10 is a left elevated view thereof; FIG. 11 is a top front-left perspective view thereof, showing the barbecue cooking apparatus in a collapsed configuration; FIG. 12 is a top-front-left perspective view thereof, showing the barbecue cooking apparatus with a shelved cooking system retrieved from the barrel; and, FIG. 13 is a bottom-rear-left perspective view thereof, showing the barbecue cooking apparatus with the shelved cooking system retrieved from the barrel.

The broken lines showing of a venting system in FIGS. 1-13, the broken lines showing of a winch mechanism in FIGS. 1-13, the broken lines showing of lid components in FIGS. 1-2, 5-7, and 9-12, the broken lines showing of a length adjustment mechanism in FIGS. 1-6 and 8-13, the broken lines showing of a wheel assembly in FIGS. 2-4, 6-10, and 13, and the broken lines showing of a shelved cooking system in FIG. 12-13 are included for the purpose of showing environmental structure and form no part of the claimed design.

**1 Claim, 13 Drawing Sheets**



(56)

References Cited

U.S. PATENT DOCUMENTS

5,473,979 A \* 12/1995 Ruben ..... A47J 37/0704  
99/446  
D442,422 S \* 5/2001 Dabney ..... D7/337  
D463,948 S \* 10/2002 Innes ..... D7/332  
6,615,821 B1 \* 9/2003 Fisenko ..... A47J 37/0704  
126/15 R  
D481,903 S \* 11/2003 Hester ..... D7/332  
D548,513 S \* 8/2007 Huang ..... D7/332  
D550,022 S \* 9/2007 Amajuwon ..... D7/332  
D574,177 S \* 8/2008 Hulsey ..... D7/335  
D755,557 S \* 5/2016 Stout ..... D7/332  
D760,531 S \* 7/2016 Scheer ..... D7/332  
D795,632 S \* 8/2017 Klingbeil ..... D7/332  
D869,218 S \* 12/2019 Graves ..... D7/332  
2009/0199839 A1 \* 8/2009 Hulsey ..... A47J 37/07  
126/25 A  
2015/0004297 A1 \* 1/2015 Pothetes ..... A47J 37/0786  
426/523  
2017/0238566 A1 \* 8/2017 Smith ..... A23B 4/0523  
2019/0313852 A1 \* 10/2019 Simpson ..... A47J 37/0718  
2021/0113018 A1 \* 4/2021 Simpson ..... A23B 4/0523

OTHER PUBLICATIONS

BestEquip, Manual Honey Extractor, Dec. 19, 2017, Amazon,  
<https://www.amazon.com/BestEquip-Extractor-Stainless-Beekeeping-Equipment/dp/B078N27YC6> (Year: 2017).\*

\* cited by examiner

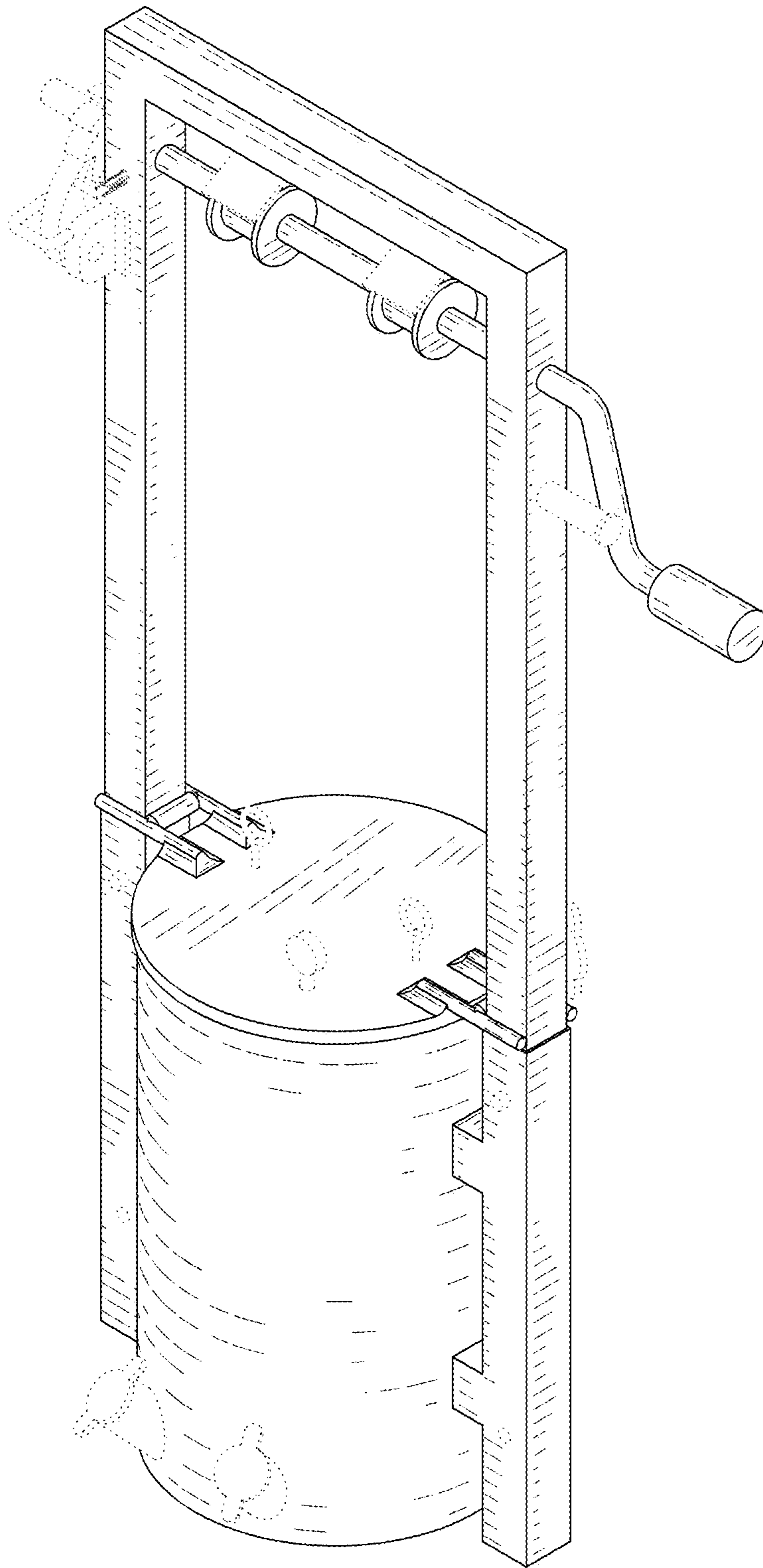


FIG. 1

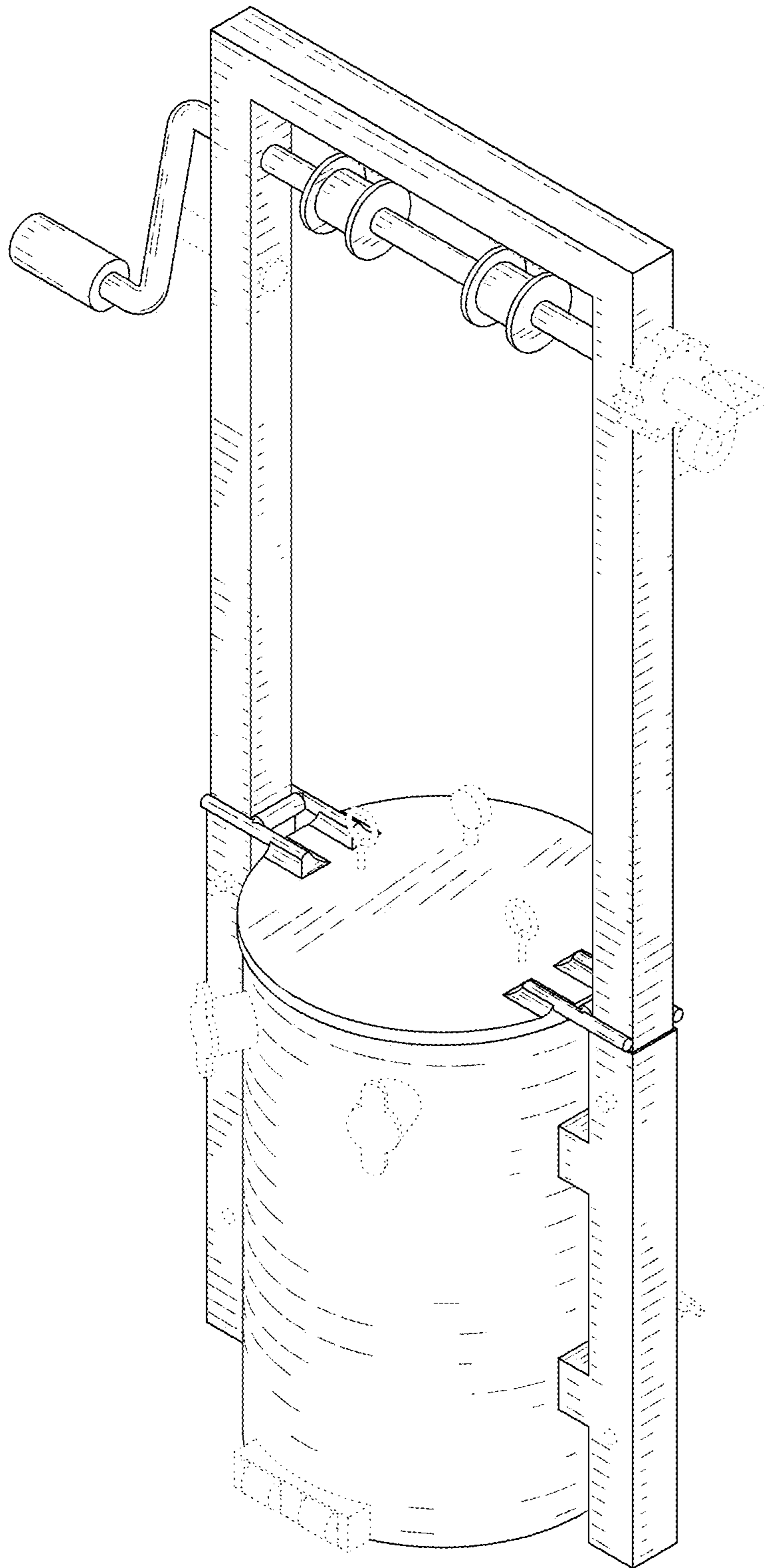


FIG. 2

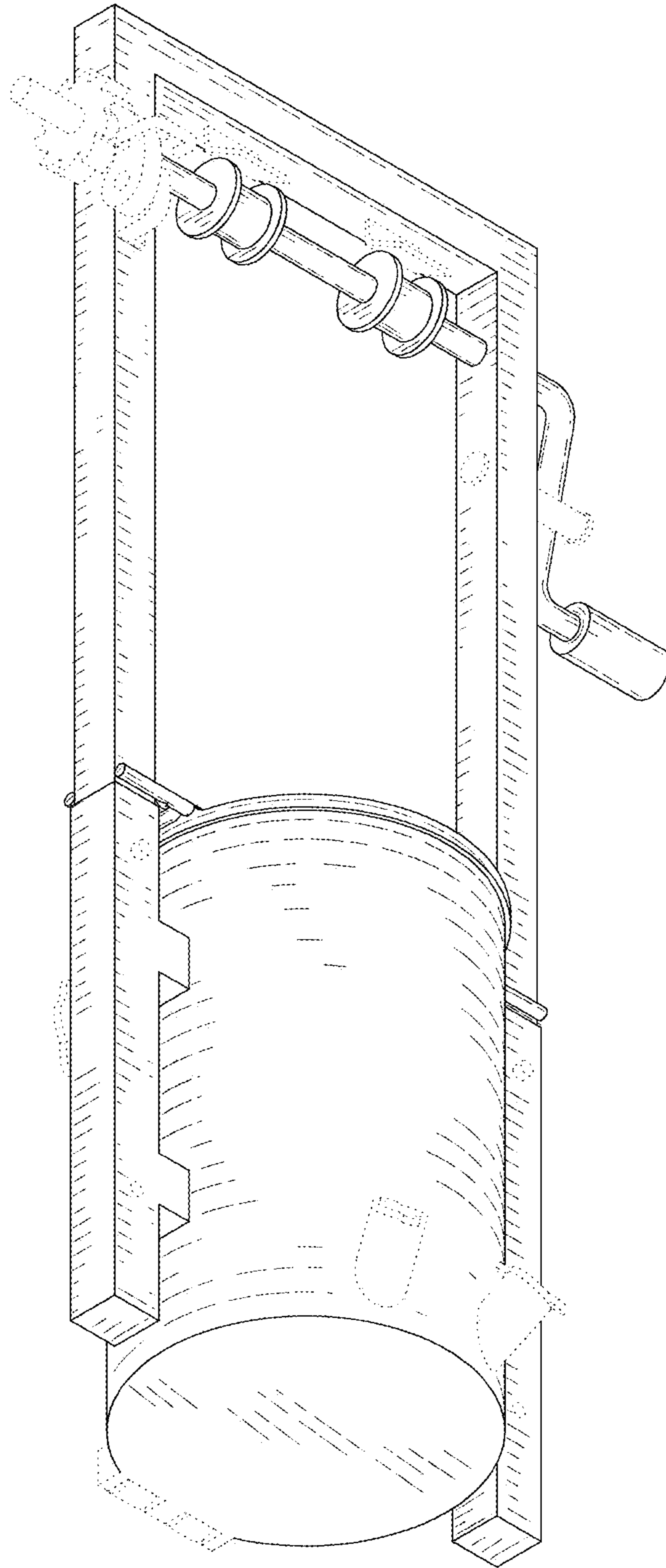


FIG. 3

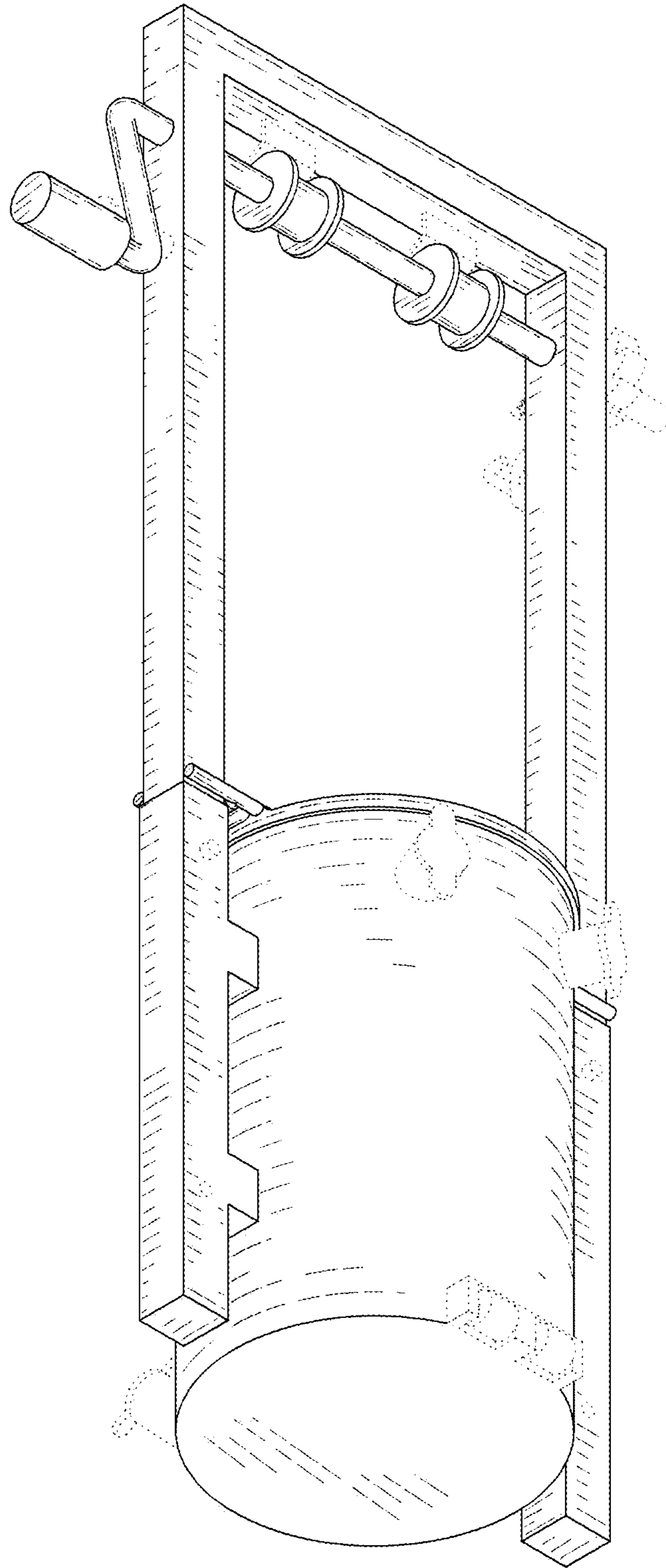


FIG. 4

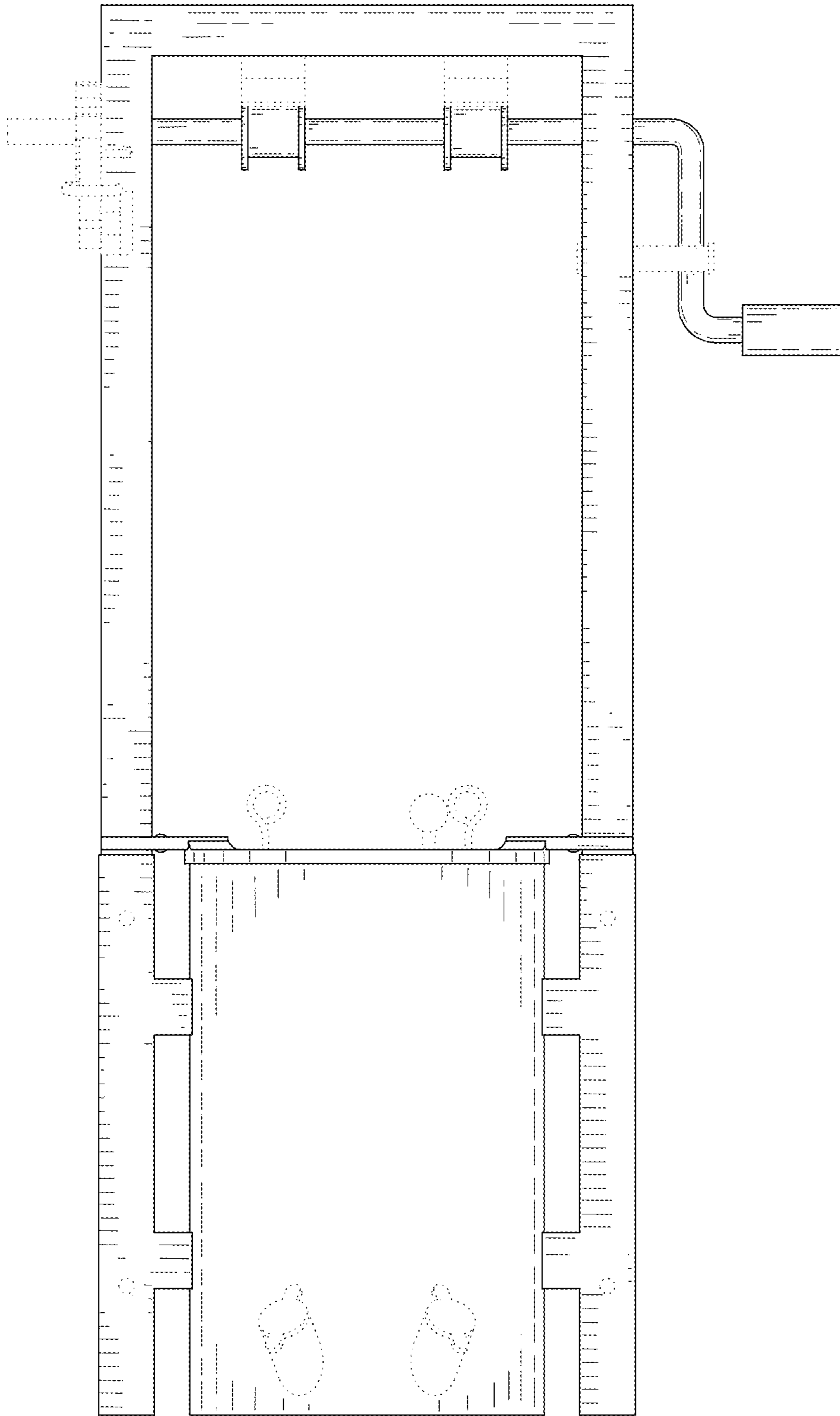


FIG. 5

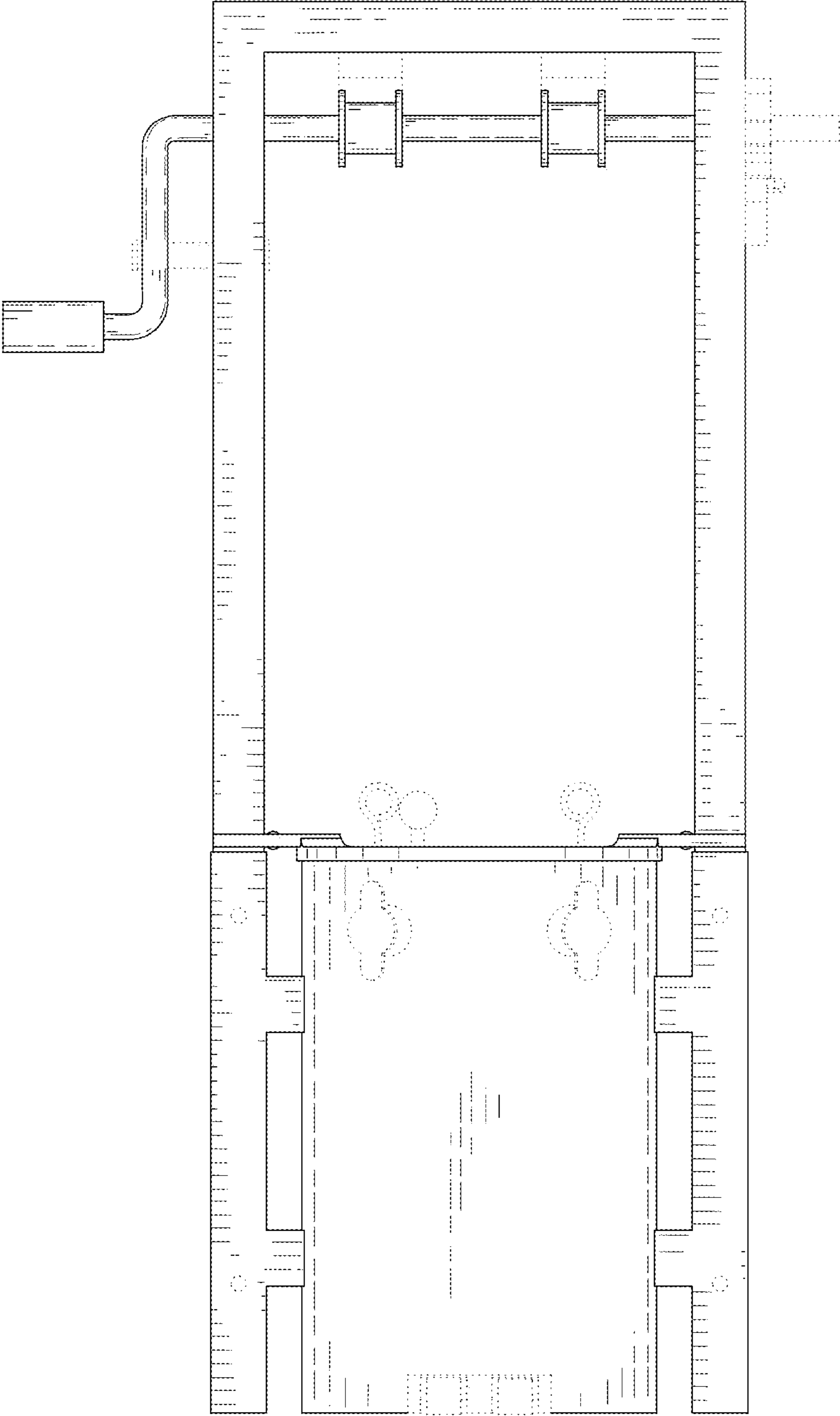


FIG. 6



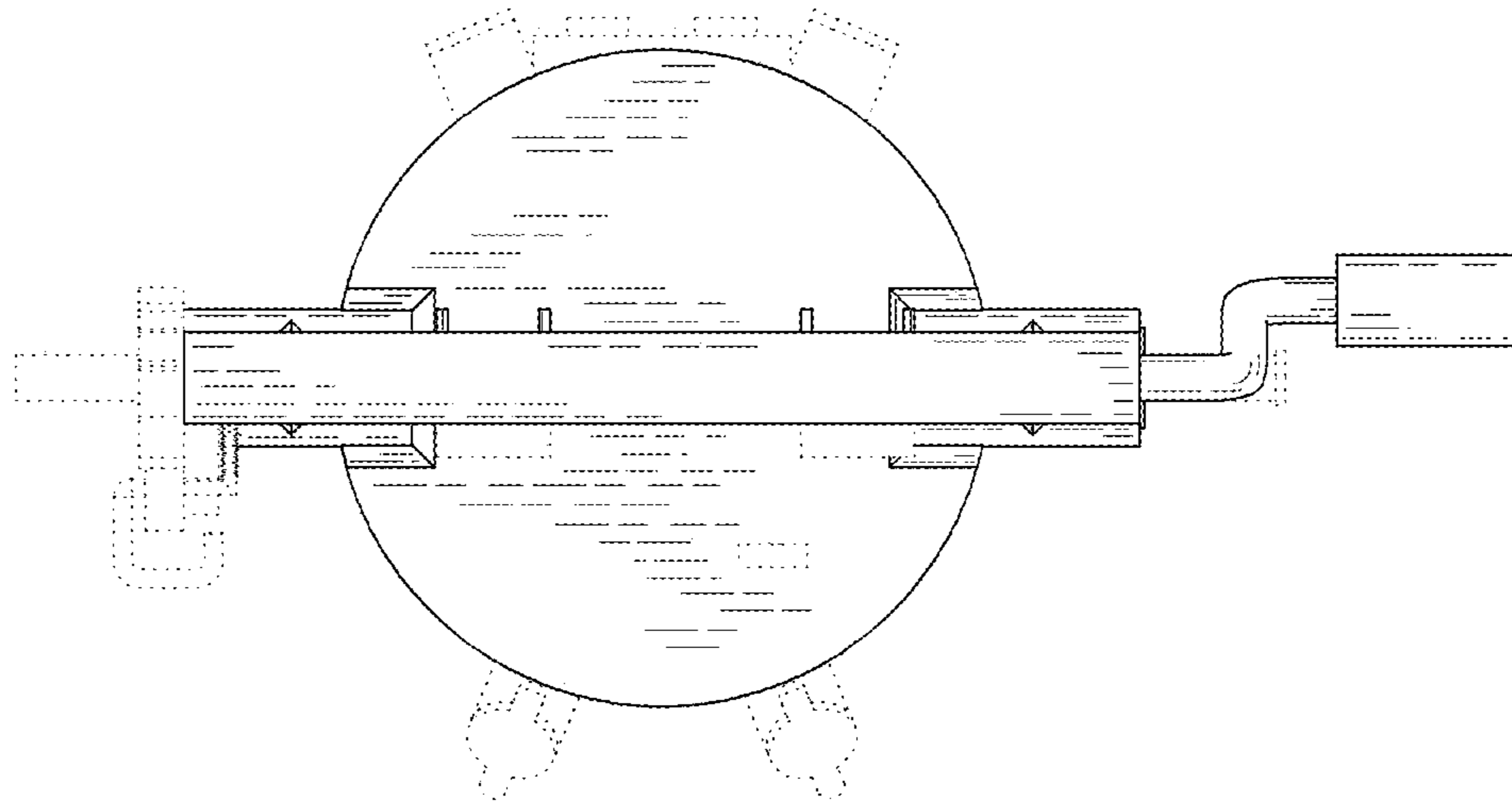


FIG. 7

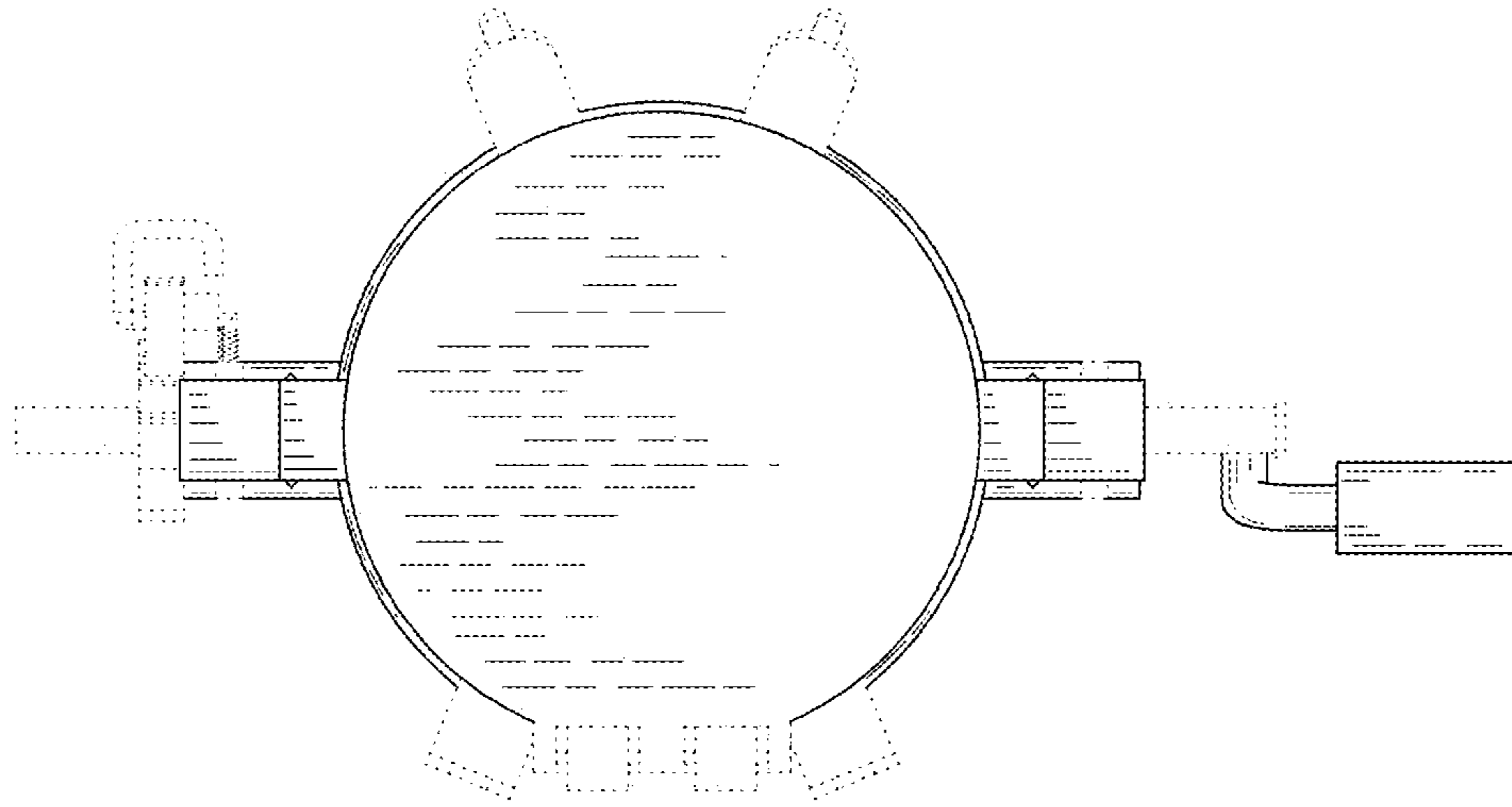


FIG. 8

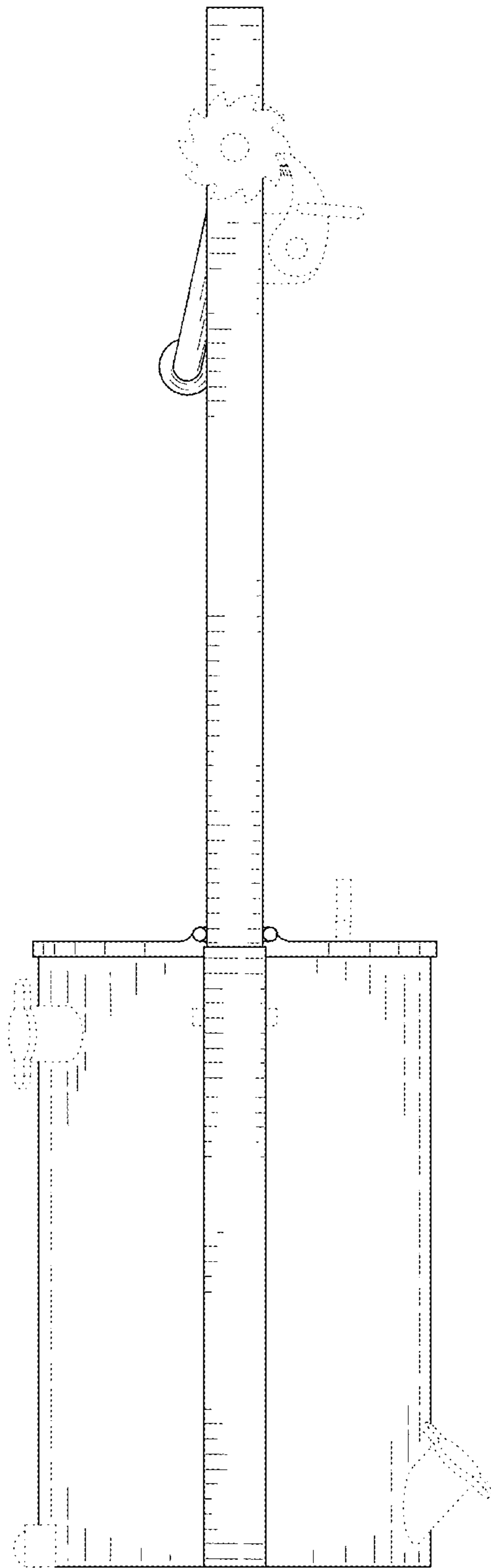


FIG. 9

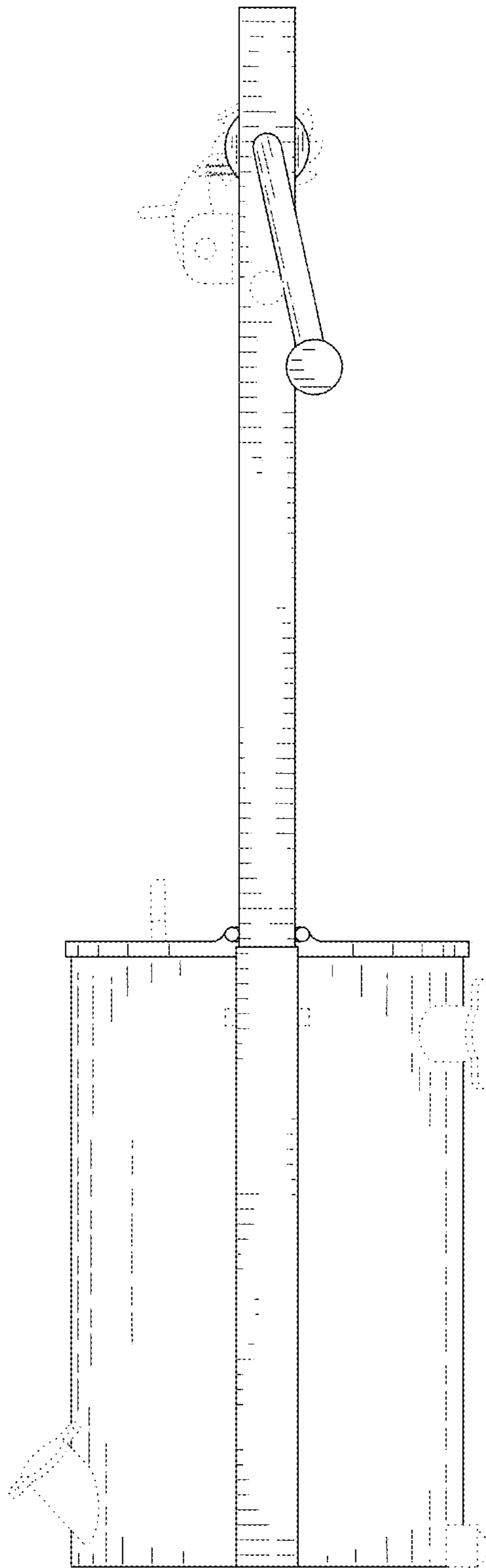


FIG. 10

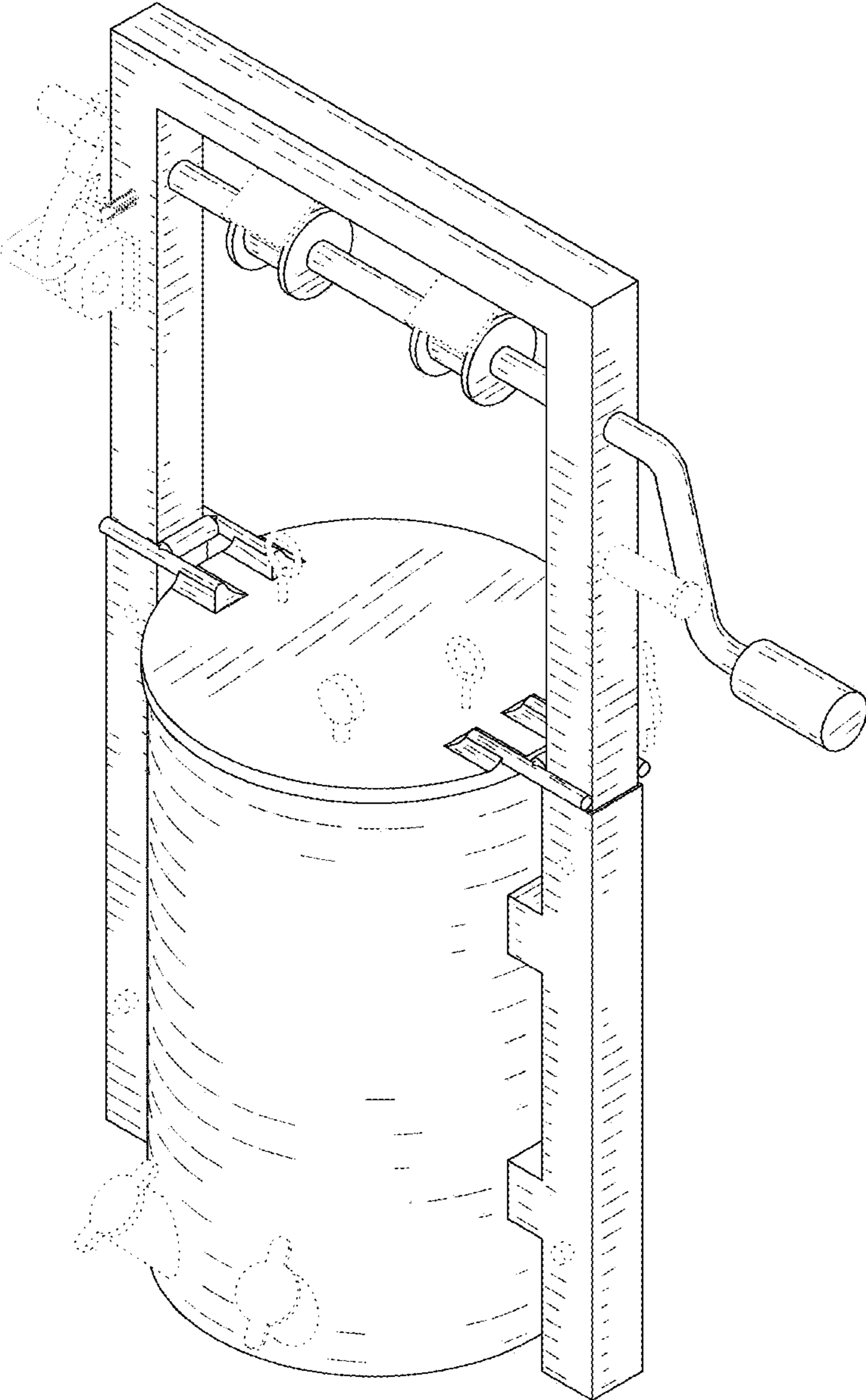


FIG. 11

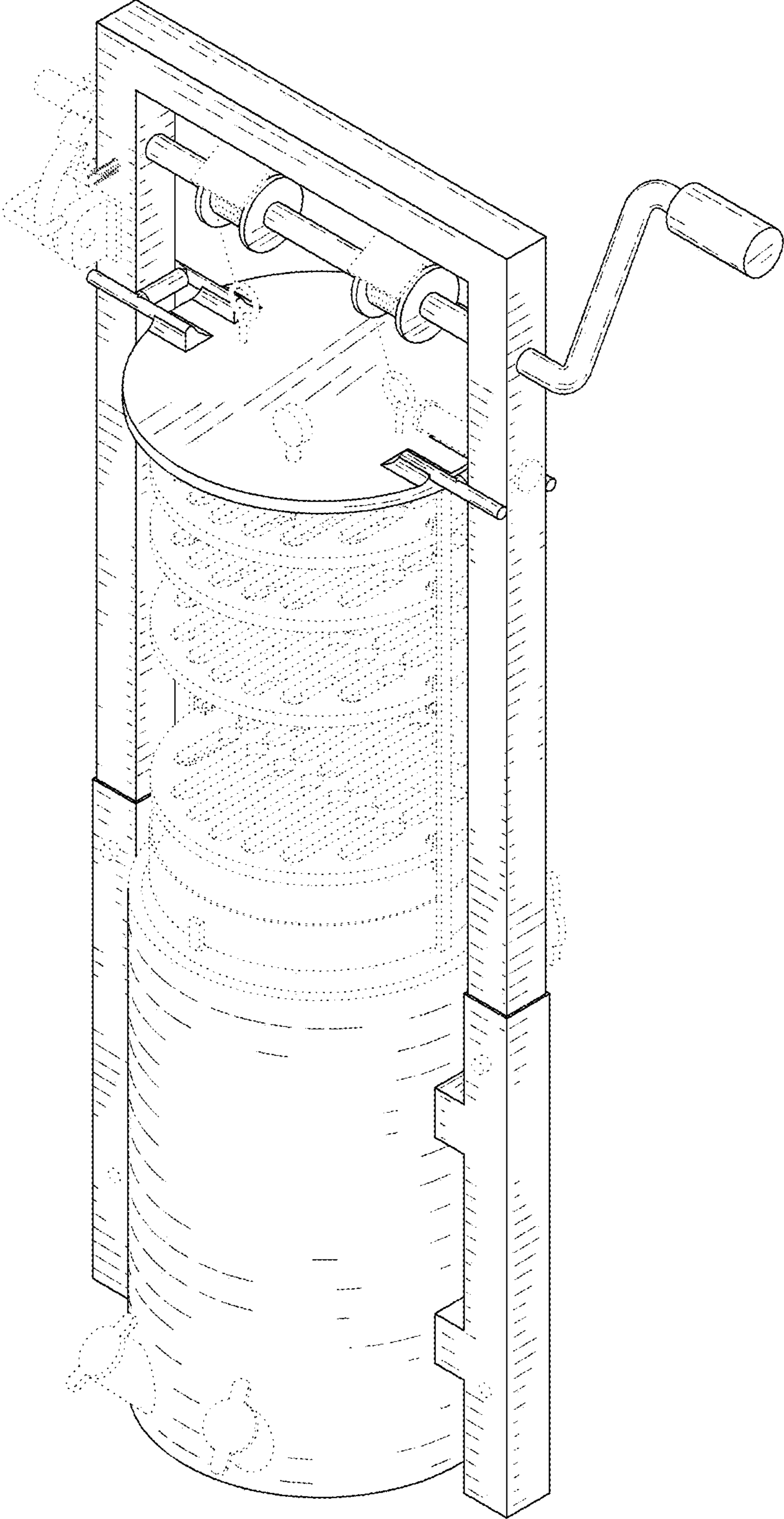


FIG. 12

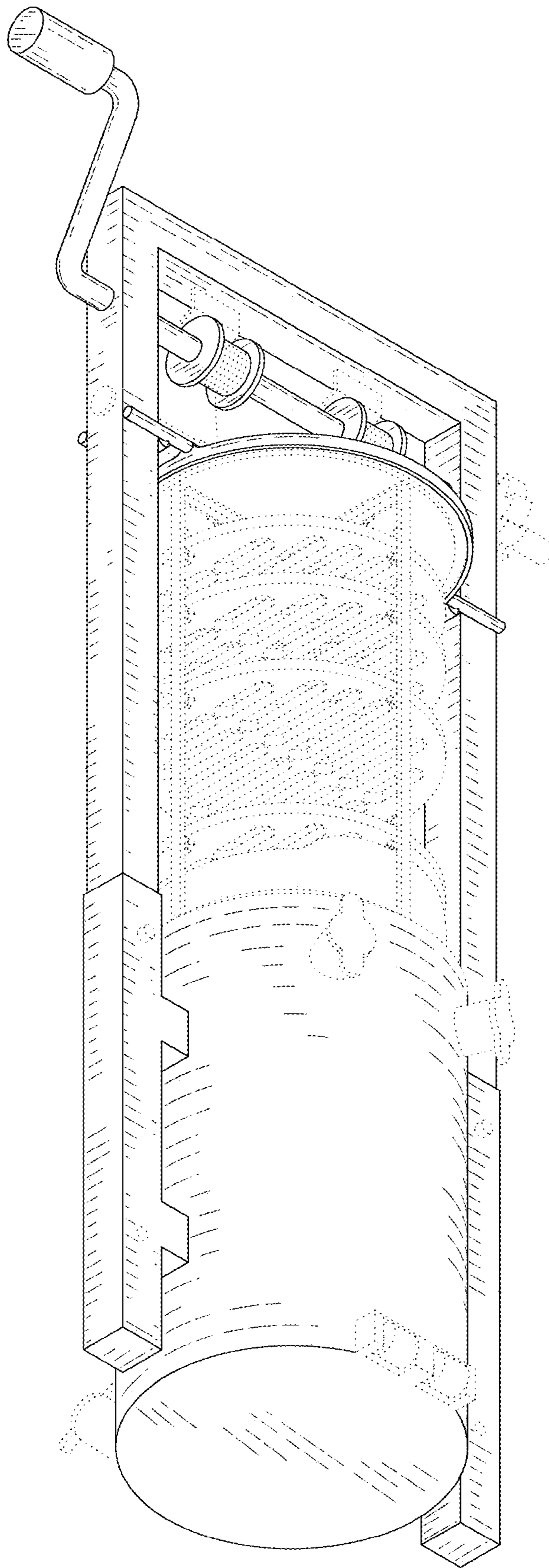


FIG. 13