



US00D933410S

(12) **United States Design Patent** (10) **Patent No.:** **US D933,410 S**
Jeon (45) **Date of Patent:** **** Oct. 19, 2021**

(54) **WATER PURIFIER**
(71) Applicant: **Coway Co., Ltd.**, Gongju-si (KR)
(72) Inventor: **Jung Jae Jeon**, Seoul (KR)
(73) Assignee: **Coway Co., Ltd.**, Gongju-si (KR)
(**) Term: **15 Years**
(21) Appl. No.: **29/707,063**
(22) Filed: **Sep. 25, 2019**

(56) **References Cited**
U.S. PATENT DOCUMENTS
D264,214 S 5/1982 Bowen et al.
D317,694 S * 6/1991 Dust D7/309
D328,995 S 9/1992 Verheijen
D354,642 S 1/1995 Stoddard et al.
D399,088 S 10/1998 Chaney
D423,662 S 4/2000 Mele
D555,411 S 11/2007 Schneider
(Continued)

Related U.S. Application Data

(62) Division of application No. 29/629,794, filed on Dec. 15, 2017, now Pat. No. Des. 868,522.

Foreign Application Priority Data

Jun. 28, 2017 (KR) 30-2017-0029791

(51) **LOC (13) Cl.** **07-01**
(52) **U.S. Cl.**
USPC **D7/306**

(58) **Field of Classification Search**
USPC D7/300, 300.1, 302-322, 387, 397-398, D7/412-415, 510-511, 589-590, D7/598-600, 601, 602, 605, 619.1; D3/202; D9/417, 435, 447; D15/81; D20/4, 5; D23/201-202; D30/121, 129, D30/132-133; 222/129.1
CPC .. A01K 7/00; A01K 7/025; A47J 31/00; A47J 31/007; A47J 31/40; A47J 31/44; A47J 31/4425; A47J 31/46; A47J 31/50; B67D 1/0003; B67D 1/0004; B67D 1/0009; B67D 1/06; B67D 1/0857; B67D 3/00; B67D 3/0003; B67D 3/0009; B67D 3/0029; B67D 3/0032; B67D 3/0035; B67D 3/0038; E03B 9/20

See application file for complete search history.

OTHER PUBLICATIONS

Design No. 306212427, Dec. 4, 2020—China National Intellectual Property Administration Publication Date—Dec. 4, 2020 Owner—Foshan Shunde Midea Water Dispenser Manufacturing Co Ltd, Designer—Li Jianping WIPO, available at <https://www3.wipo.int/designdb/en/index.jsp> (Year: 2020).*

(Continued)

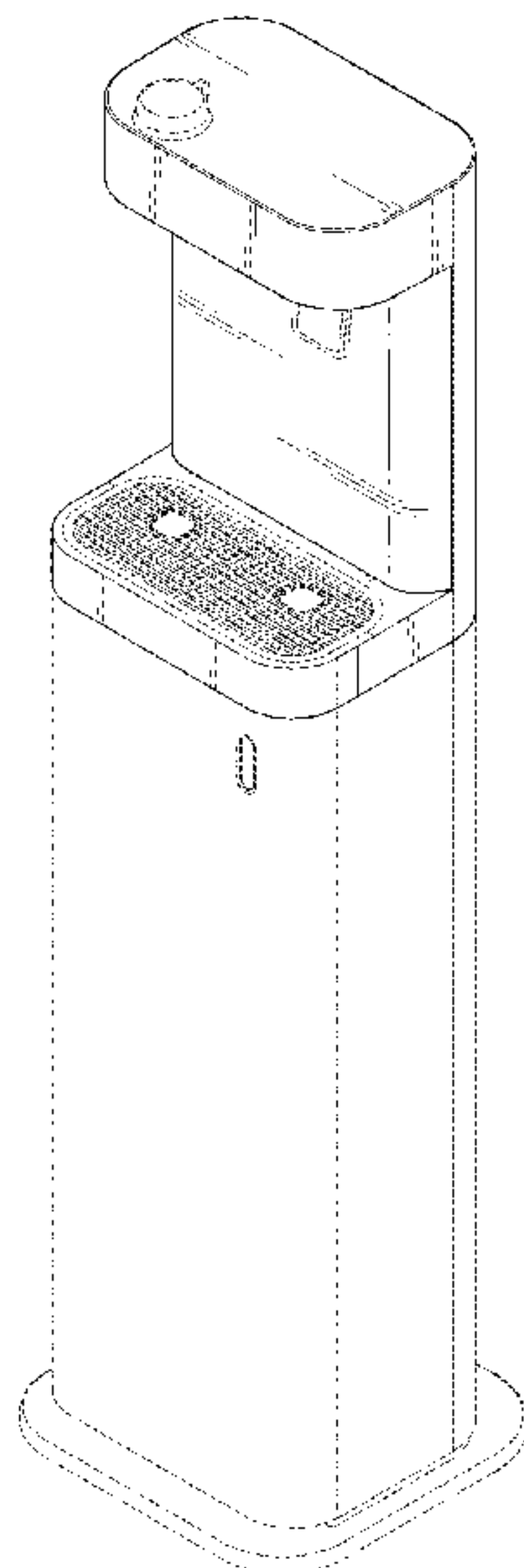
Primary Examiner — Mary Ann Calabrese
Assistant Examiner — Natalya M Rapundalo
(74) *Attorney, Agent, or Firm* — Pearl Cohen Zedek Latzer Baratz LLP

(57) **CLAIM**
The ornamental design for a water purifier, as shown and described.

DESCRIPTION

FIG. 1 is a top, front, right side perspective view of the water purifier;
FIG. 2 is a front elevational view thereof;
FIG. 3 is a back elevational view thereof;
FIG. 4 is a left side elevational view thereof;
FIG. 5 is a right side elevational view thereof;
FIG. 6 is a top plan view thereof; and,
FIG. 7 is a bottom plan view thereof.
The broken lines in the figures show portions of the water purifier that form no part of the claimed design.

1 Claim, 7 Drawing Sheets



(56)

References Cited

U.S. PATENT DOCUMENTS

D600,060	S	9/2009	Fletcher et al.	
D671,346	S	11/2012	Zlatic et al.	
D672,187	S *	12/2012	Milewski	D7/306
D714,580	S	10/2014	Moon et al.	
D759,194	S *	6/2016	Wei	D23/207
D774,824	S	12/2016	Gallagher	
D790,898	S	7/2017	Taubman et al.	
D805,601	S	12/2017	Roh et al.	
D813,346	S	3/2018	Lee	
D822,154	S *	7/2018	Lee	D23/207
D832,021	S	10/2018	Yoon	
D842,966	S *	3/2019	Shin	D23/207
D853,772	S *	7/2019	Park	D7/307
D868,522	S *	12/2019	Jeon	D7/313
D882,037	S *	4/2020	Roh	D23/207
D893,234	S *	8/2020	Broen	D7/306
D900,526	S *	11/2020	Rummel	D7/306
D907,174	S *	1/2021	Park	D23/207
D913,412	S *	3/2021	Lee	D23/207
D921,151	S *	6/2021	Cho	D23/207

OTHER PUBLICATIONS

Design No. 306212428 Dec. 4, 2020—China National Intellectual Property Administration Publication Date—Dec. 4, 2020 Owner—Foshan Shunde Midea Water Dispenser Manufacturing Co Ltd, Designer—Li Jianping WIPO, available at <https://www3.wipo.int/designdb/en/index.jsp> (Year: 2020).*

Office Action for U.S. Appl. No. 29/629,797, dated May 24, 2019.

* cited by examiner

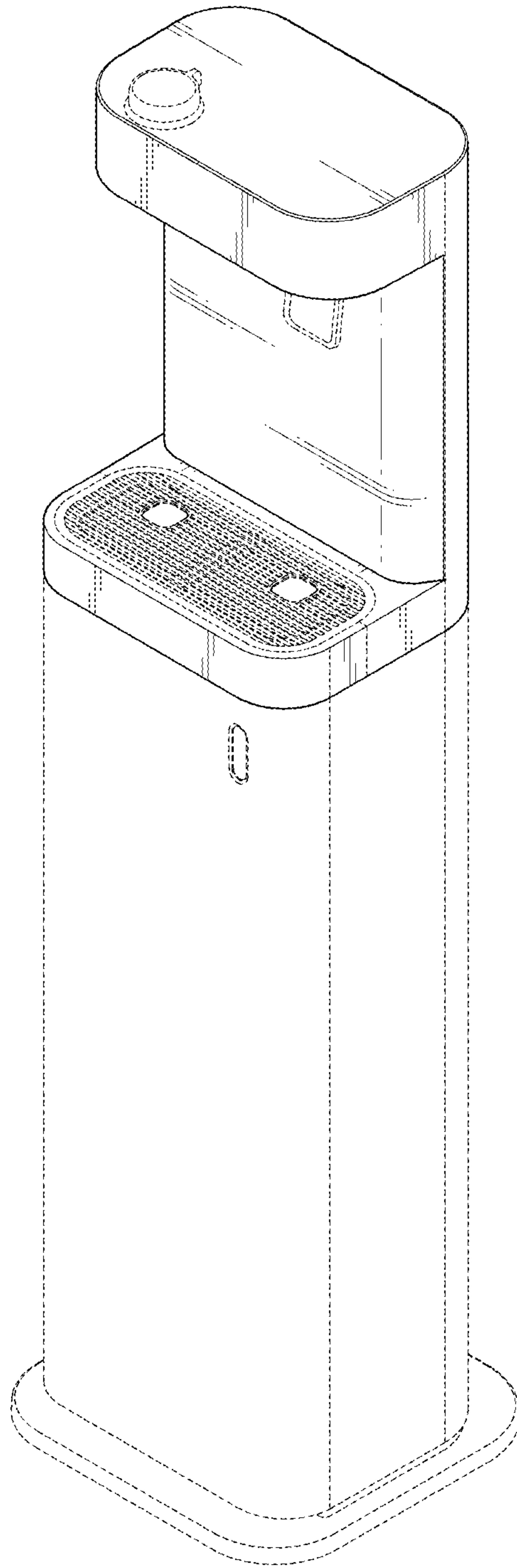


FIG. 1

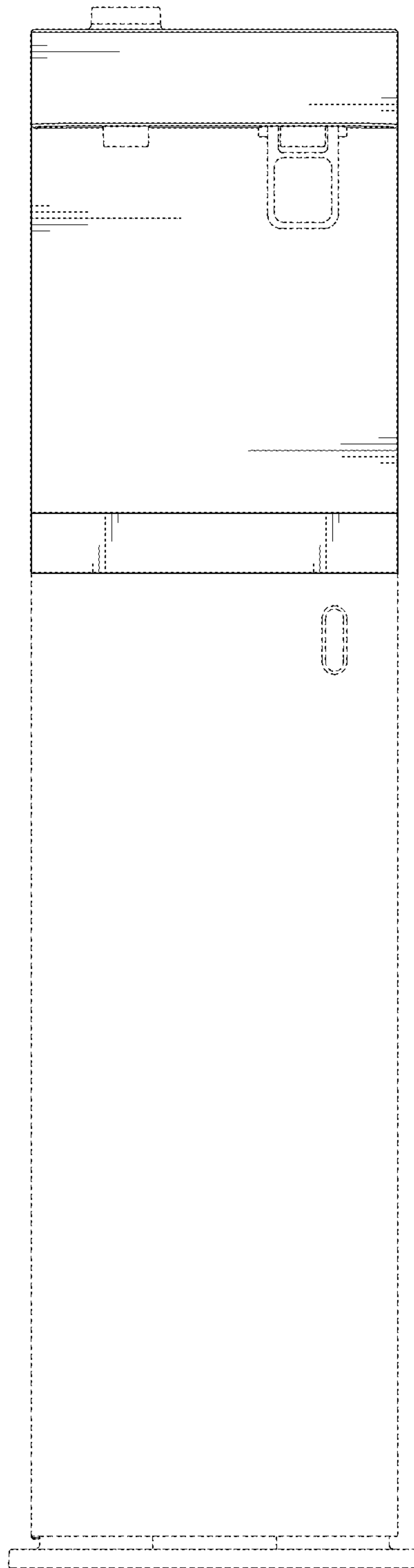


FIG. 2

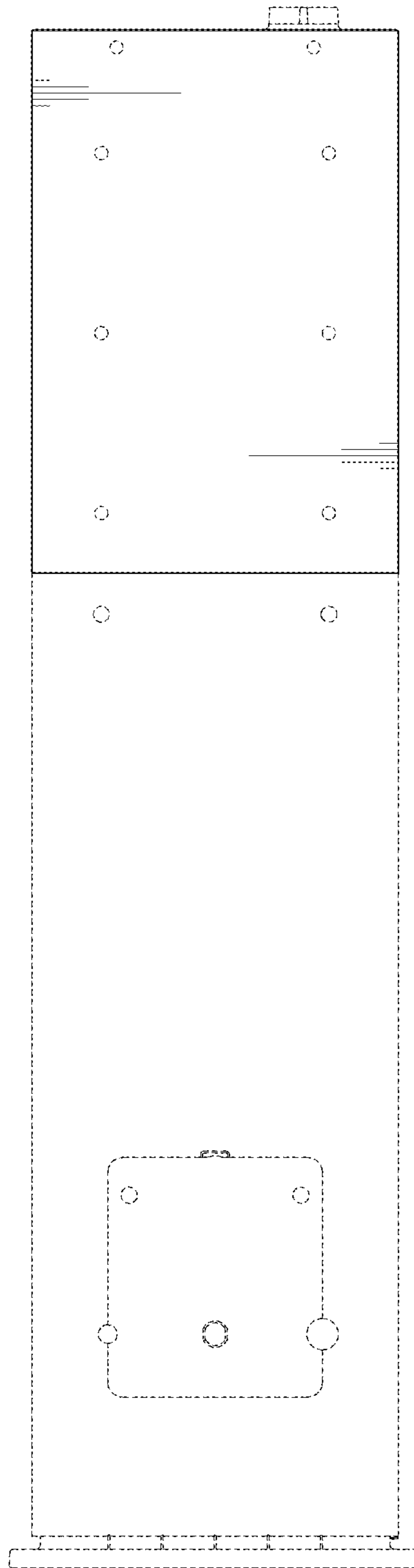


FIG. 3

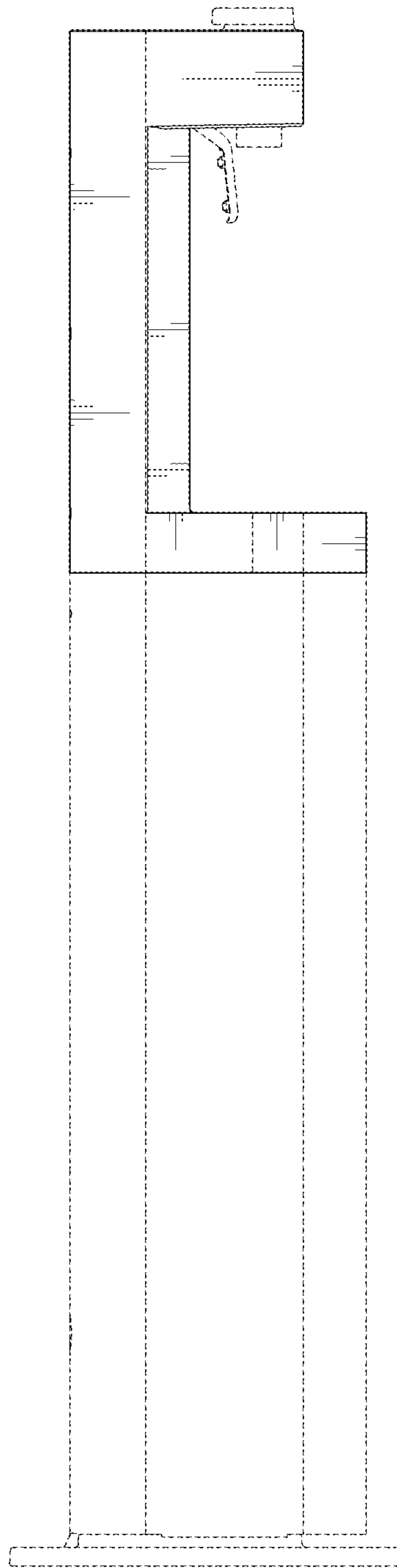


FIG. 4

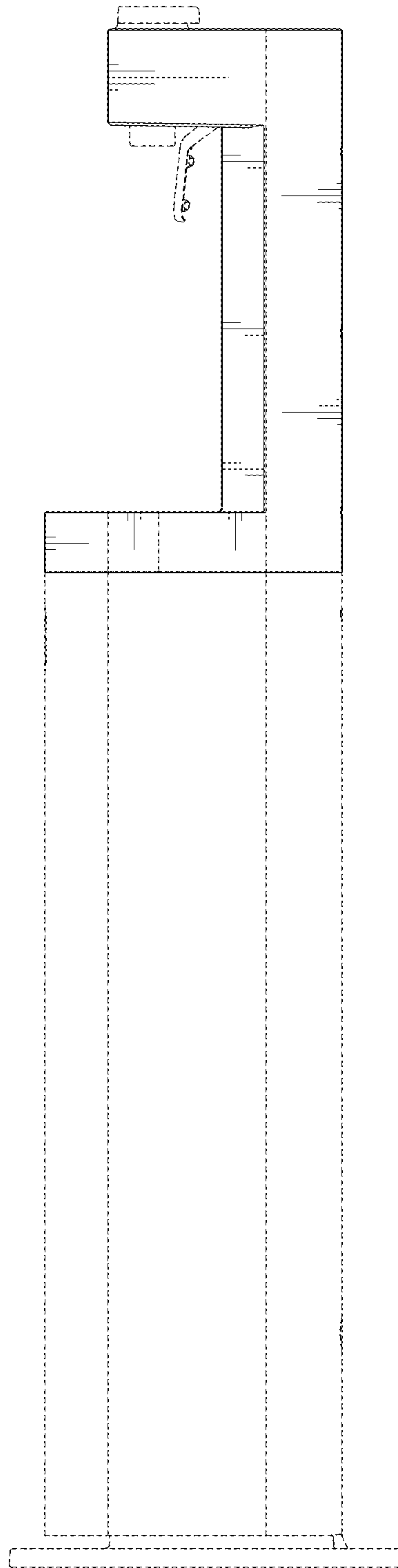


FIG. 5

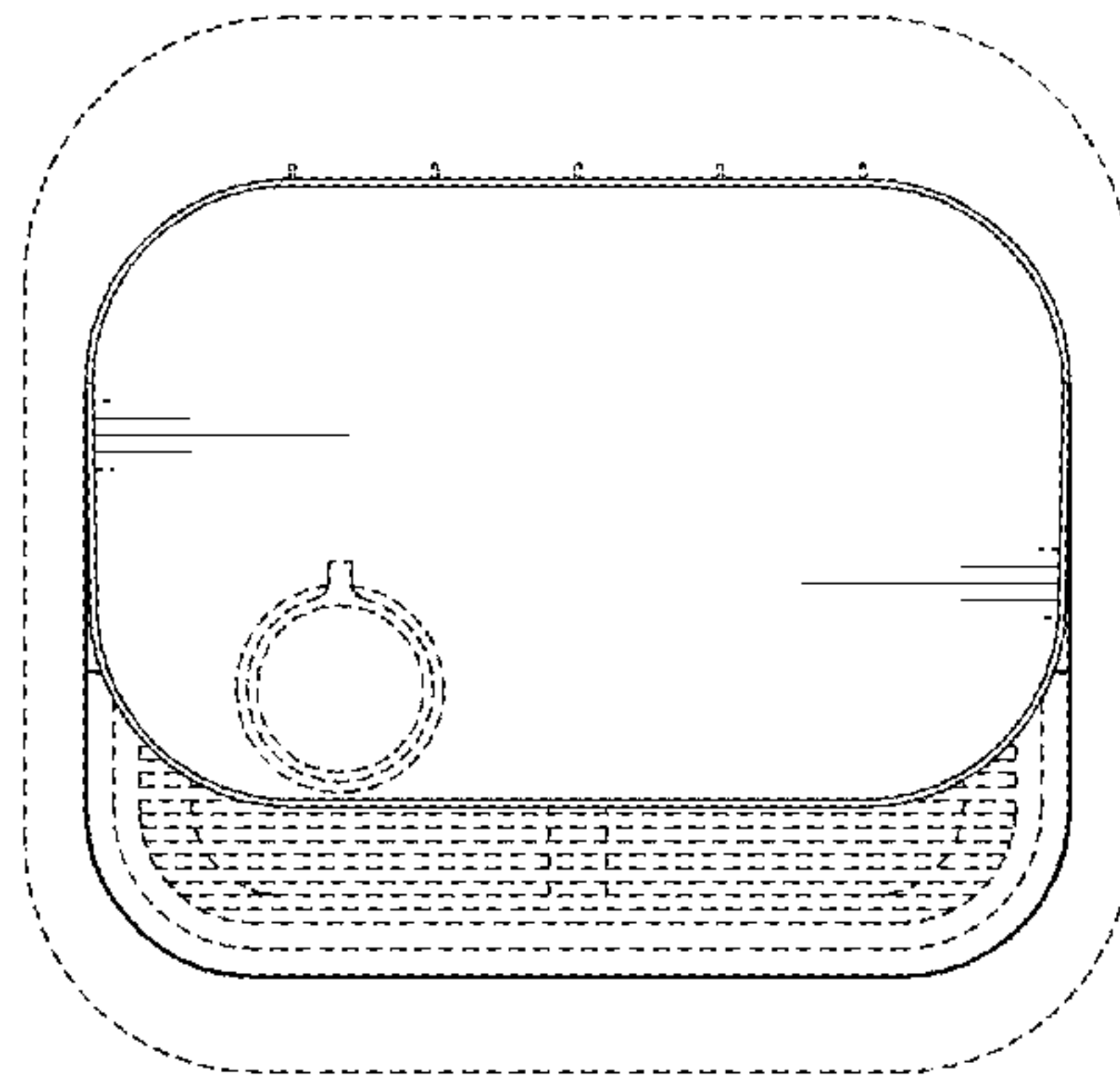


FIG. 6

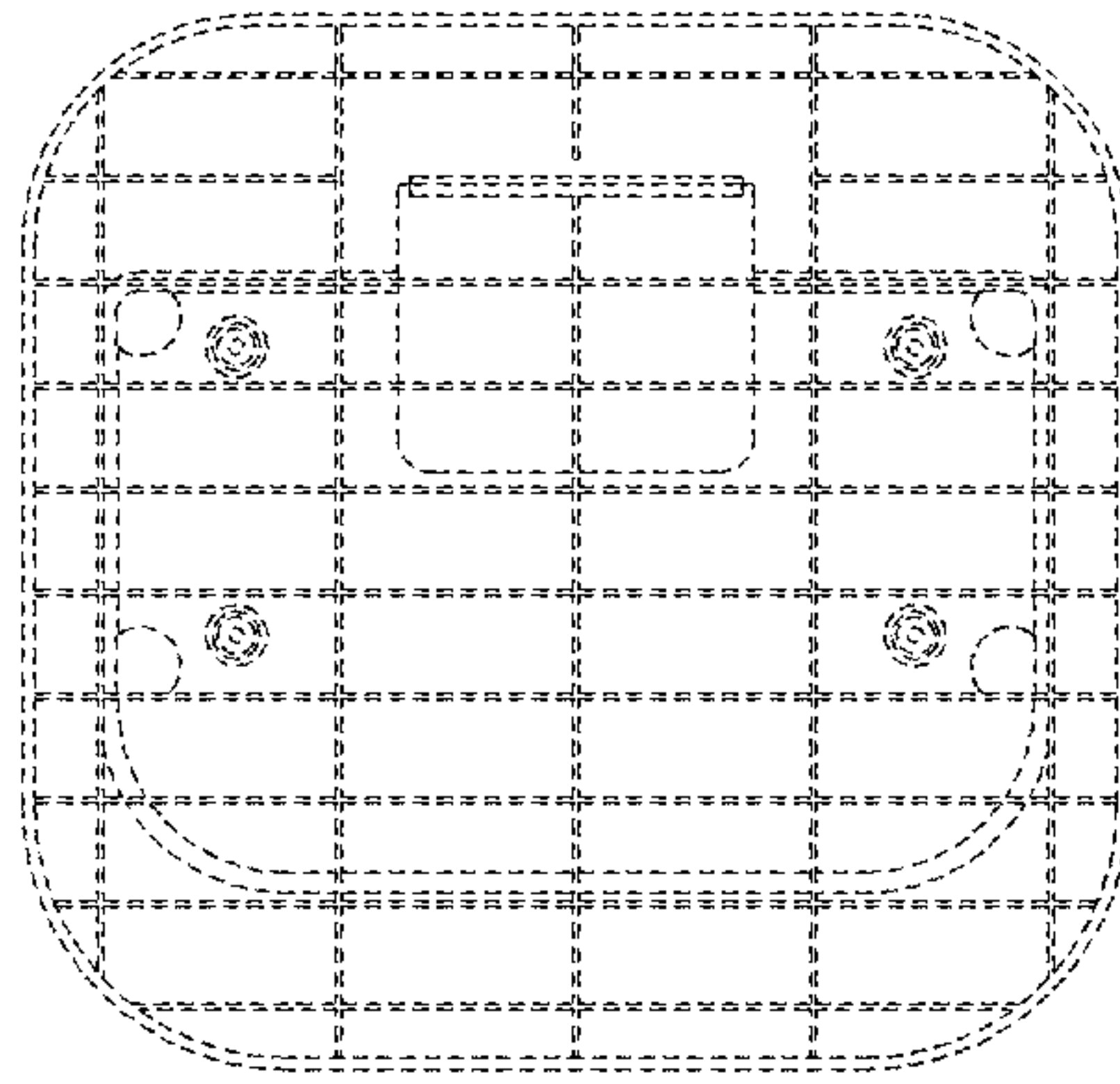


FIG. 7