



US00D933408S

(12) **United States Design Patent** (10) **Patent No.:** **US D933,408 S**
Mak (45) **Date of Patent:** **** Oct. 19, 2021**

(54) **DIVIDER SCREEN**
(71) Applicant: **Thinking Ergonomix Pty Limited,**
Moorebank (AU)
(72) Inventor: **Lowell Mak,** Moorebank (AU)
(73) Assignee: **Thinking Ergonomix Pty Limited,**
Moorebank (AU)

D587,819 S 3/2009 Ryan
D611,705 S * 3/2010 Romero D3/232
D692,497 S 10/2013 Valls et al.
D774,339 S * 12/2016 Parshad A47B 17/00
D6/714
D788,579 S * 6/2017 Ogdon D9/431
D853,682 S * 7/2019 Brown D1/122
D856,726 S 8/2019 Mak

(Continued)

(**) Term: **15 Years**
(21) Appl. No.: **29/701,752**
(22) Filed: **Aug. 14, 2019**

Related U.S. Application Data

(63) Continuation of application No. 29/619,743, filed on
Oct. 2, 2017, now Pat. No. Des. 856,726.
(51) **LOC (13) Cl.** **06-06**
(52) **U.S. Cl.**
USPC **D6/714**
(58) **Field of Classification Search**
USPC D6/641-643, 643.1, 663, 702, 704, 705,
D6/713, 714
CPC A47B 2021/0321; A47B 2021/0335; A47B
2021/035; A47B 2021/0357; A47B
2200/12
See application file for complete search history.

(56) **References Cited**

U.S. PATENT DOCUMENTS

D206,198 S 11/1966 Molitor
D273,547 S 4/1984 Taub
D364,764 S 12/1995 Campbell et al.
D377,723 S 2/1997 Schacht
5,890,782 A * 4/1999 Alberts A47B 17/00
312/196
6,267,338 B1 7/2001 Saylor et al.
D453,794 S 2/2002 Saylor et al.
D575,560 S 8/2008 English

OTHER PUBLICATIONS

Felt Briefcases, known at least as early as Sep. 6, 2017, 1 pg.
(Continued)

Primary Examiner — Mary Ann Calabrese
(74) *Attorney, Agent, or Firm* — Womble Bond Dickinson
(US) LLP

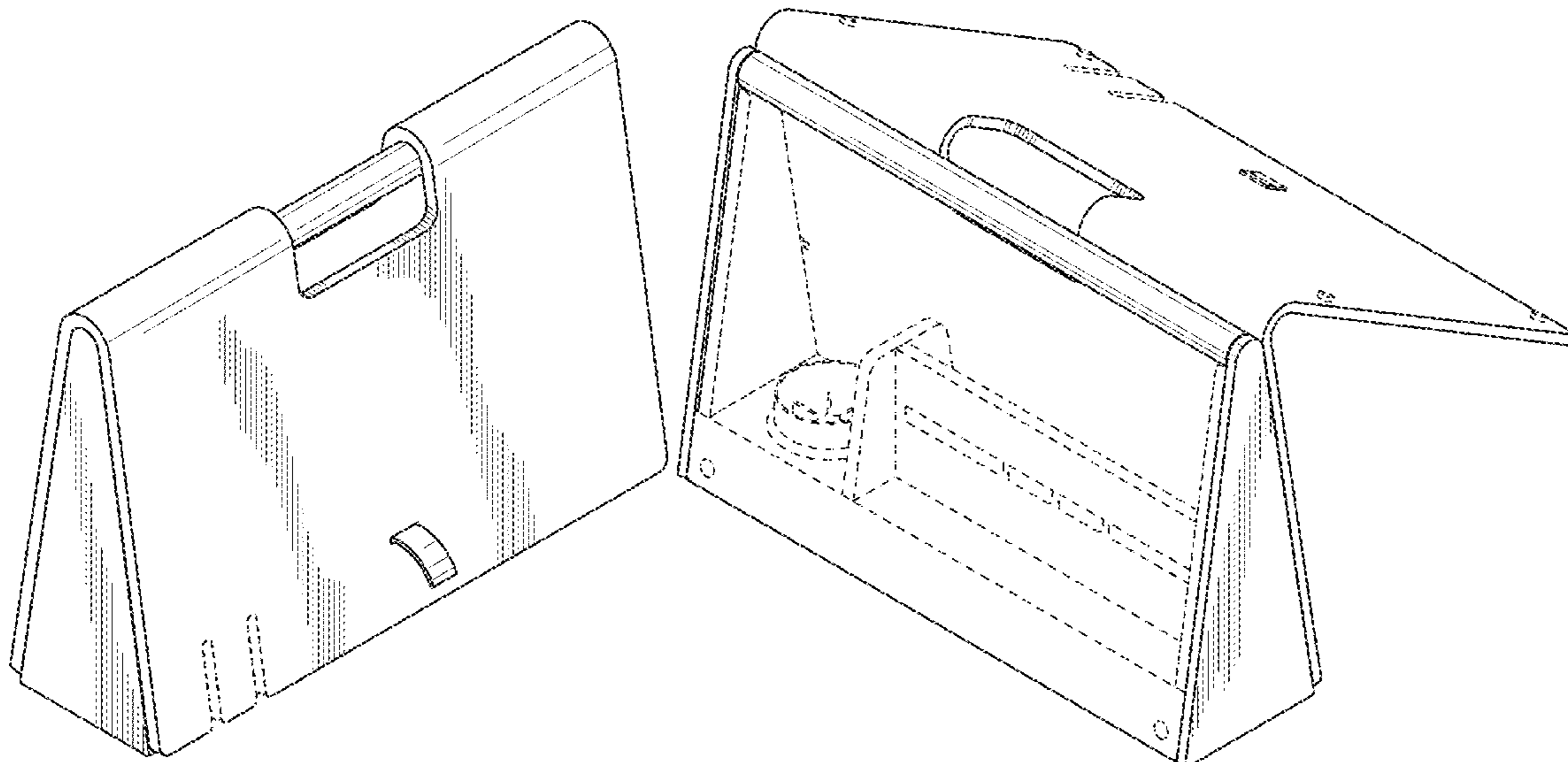
(57) **CLAIM**

I claim the ornamental design for a divider screen, as shown
and described.

DESCRIPTION

FIG. 1 is a front, left, top perspective view of my design in
a closed configuration;
FIG. 2 is a top view of my design in the closed configuration;
FIG. 3 is a front view of my design in the closed configura-
tion;
FIG. 4 is a rear view of my design in the closed configura-
tion;
FIG. 5 is a left side view of my design in the closed
configuration;
FIG. 6 is a right side view of my design in the closed
configuration; and,
FIG. 7 is a front, right, top perspective view of my design in
an open configuration.
Elements in the figures shown in dash-dash lines form no
part of the claimed design.

1 Claim, 7 Drawing Sheets



(56)

References Cited

U.S. PATENT DOCUMENTS

D911,761 S * 3/2021 Sampath D6/714
2009/0229293 A1 9/2009 Kim

OTHER PUBLICATIONS

Steelcase Canopy Workstation, <https://www.steelcase.com/resources/space-planning-ideas/ww1rqa1r/>; known at least as early as Sep. 6, 2017, 1 pg.

Architekten Landrell BT Castle Wharf, <https://www.architen.com/projects/bt-castle-wharf/>; known at least as early as Sep. 6, 2017, 1 pg.

Felt Briefcases, eBay, <https://www.ebay.com/itm/Felt-briefcase-laptop-Sleeve-Case-Cover-Bag-MacBook-Air-Pro-11-12-13-15-/351502251057?var;> known at least as early as Sep. 6, 2017, 1 pg.

Buzzispace Buzzdonut, <https://www.buzzi.space/acoustic-solutions/buzzidonut>; known at least as early as Sep. 6, 2017, 1 pg.

Buzzispace BuzziShade Pendant Lighting, https://www.lightology.com/index.php?module=prod_detail&prod_id=593099&option_id=593274&utm_content=BZSHADE-L-AL-63-WH-78&gclid=CjwKC_AjwlrqHBhByEiwAnLmYUACxYiWWVx6oEvHPMr1gNzuoEzd2jwWn8S2bjN3Fj3g7ZU7mCcL9x_oCfc8QAvD_BwE, known at least as early as Sep. 6, 2017, 1 pg.

Herman Miller Arras Bench, https://www.hermanmiller.com/en_au/products/workspaces/collaborative-furniture/arras-bench/; known at least as early as Sep. 6, 2017, 1 pg.

Vitra Ad Hoc Office System, <https://www.workbrands.com/en/featured/vitra-ad-hoc/>, known at least as early as Sep. 6, 2017, 1 pg.

* cited by examiner

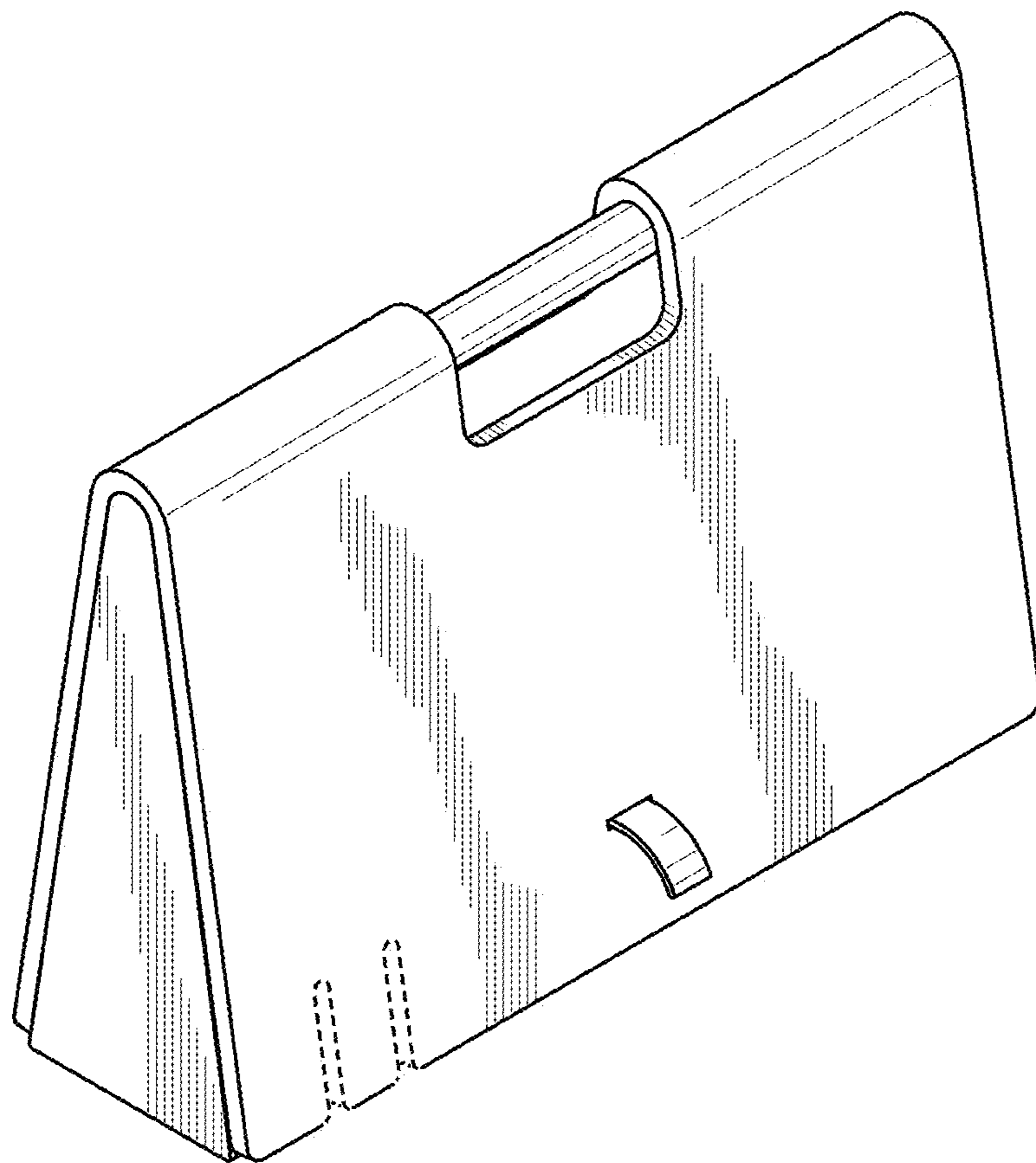


FIG. 1

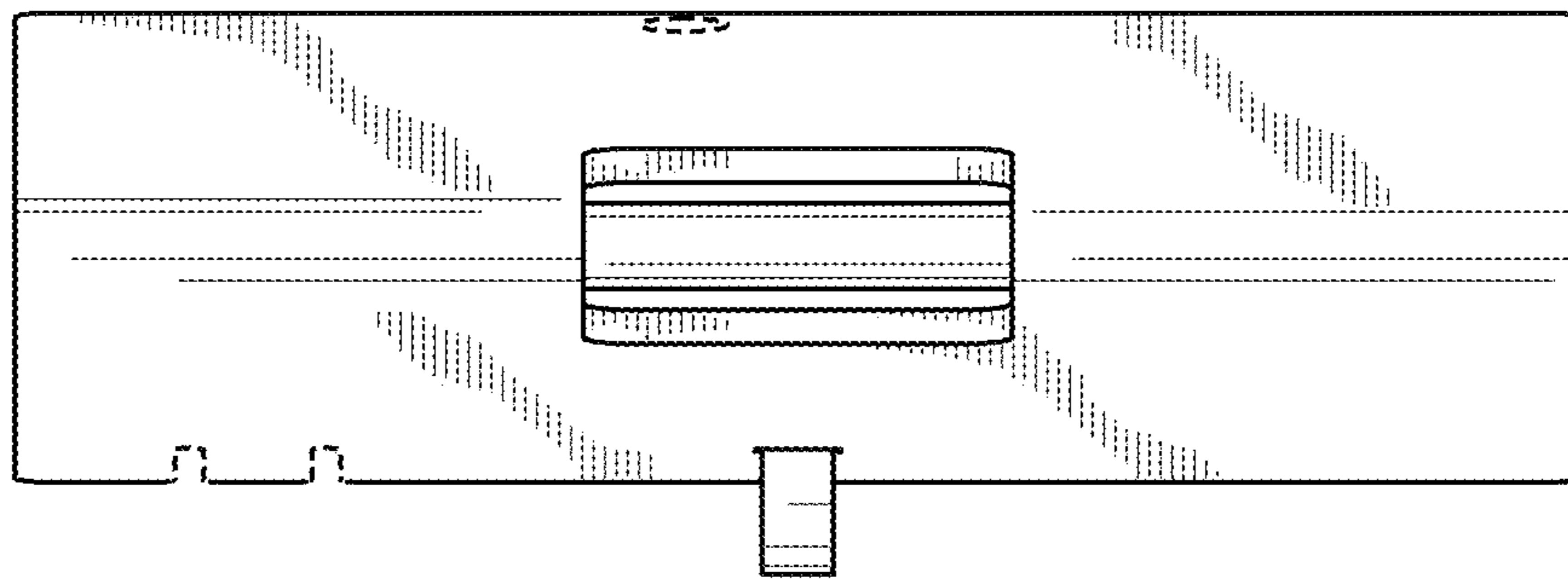


FIG. 2

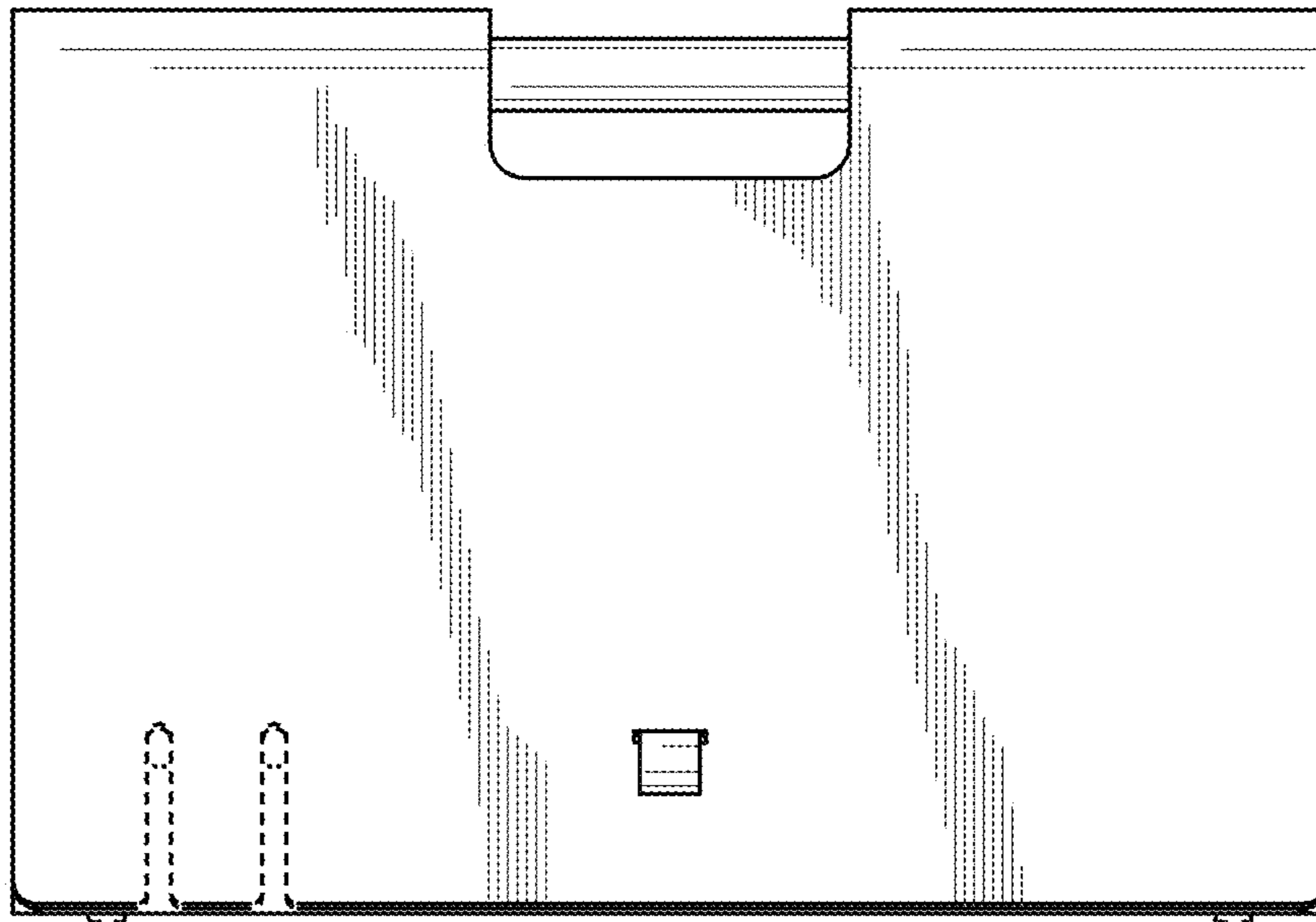


FIG. 3

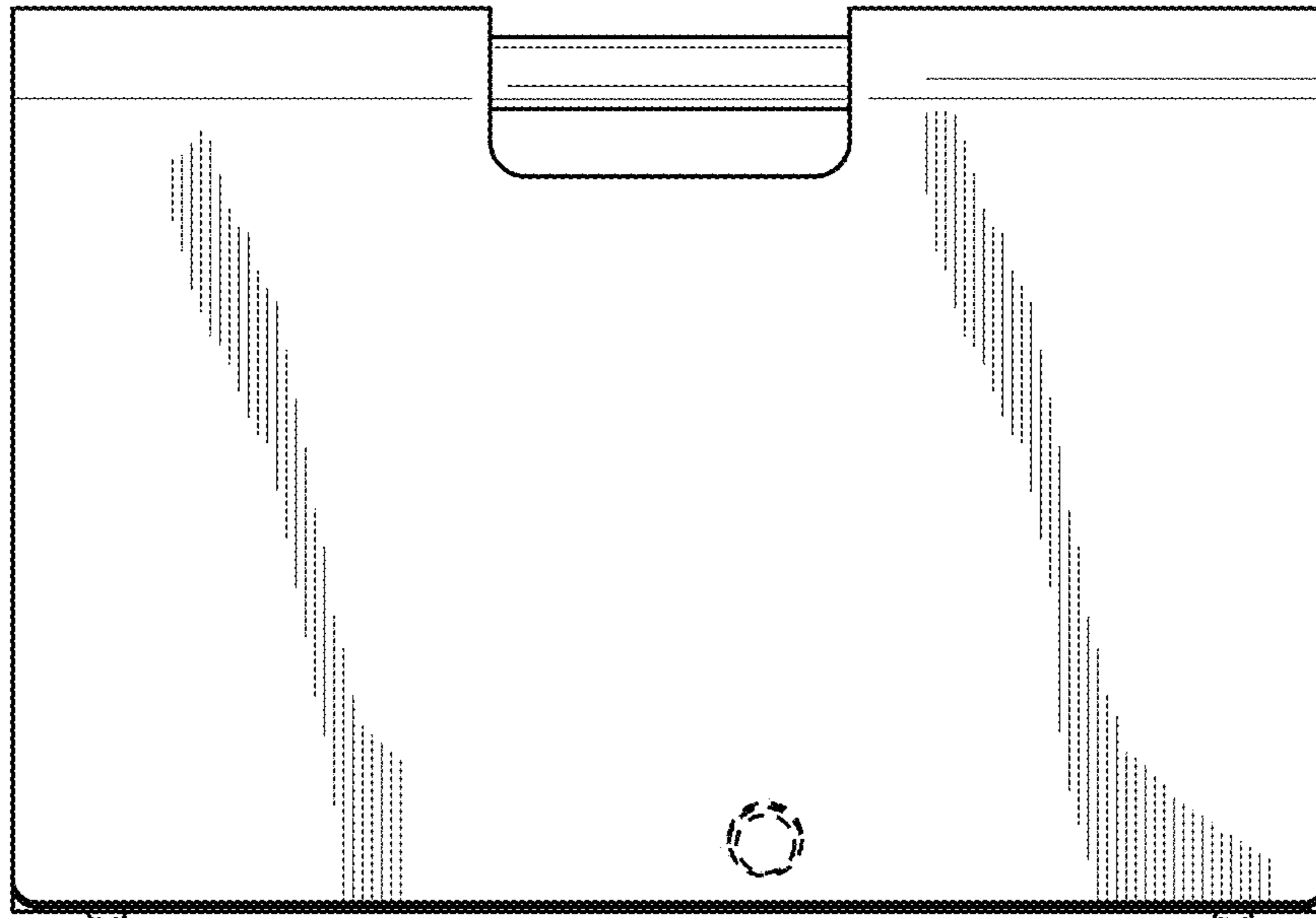


FIG. 4

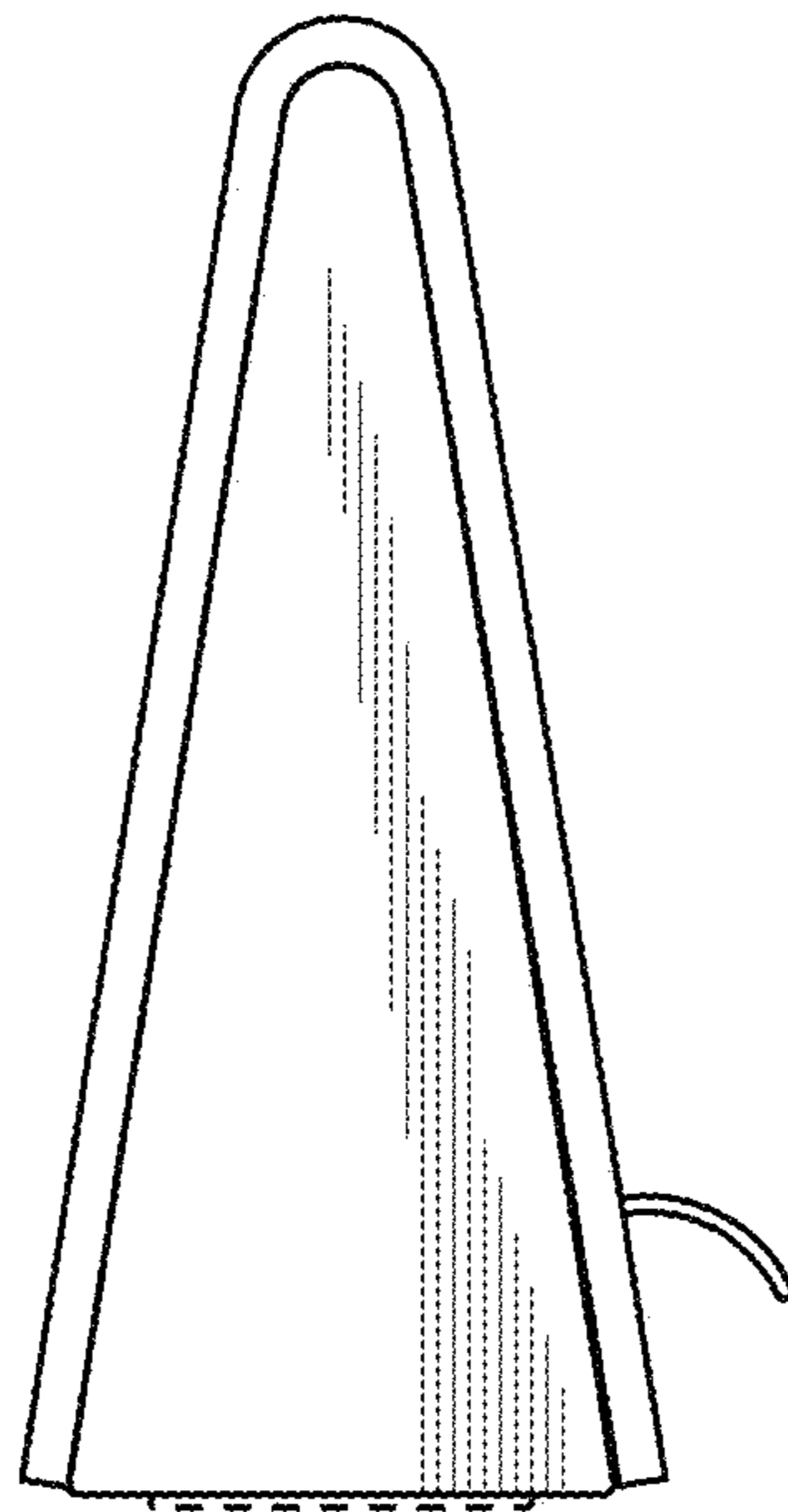


FIG. 5

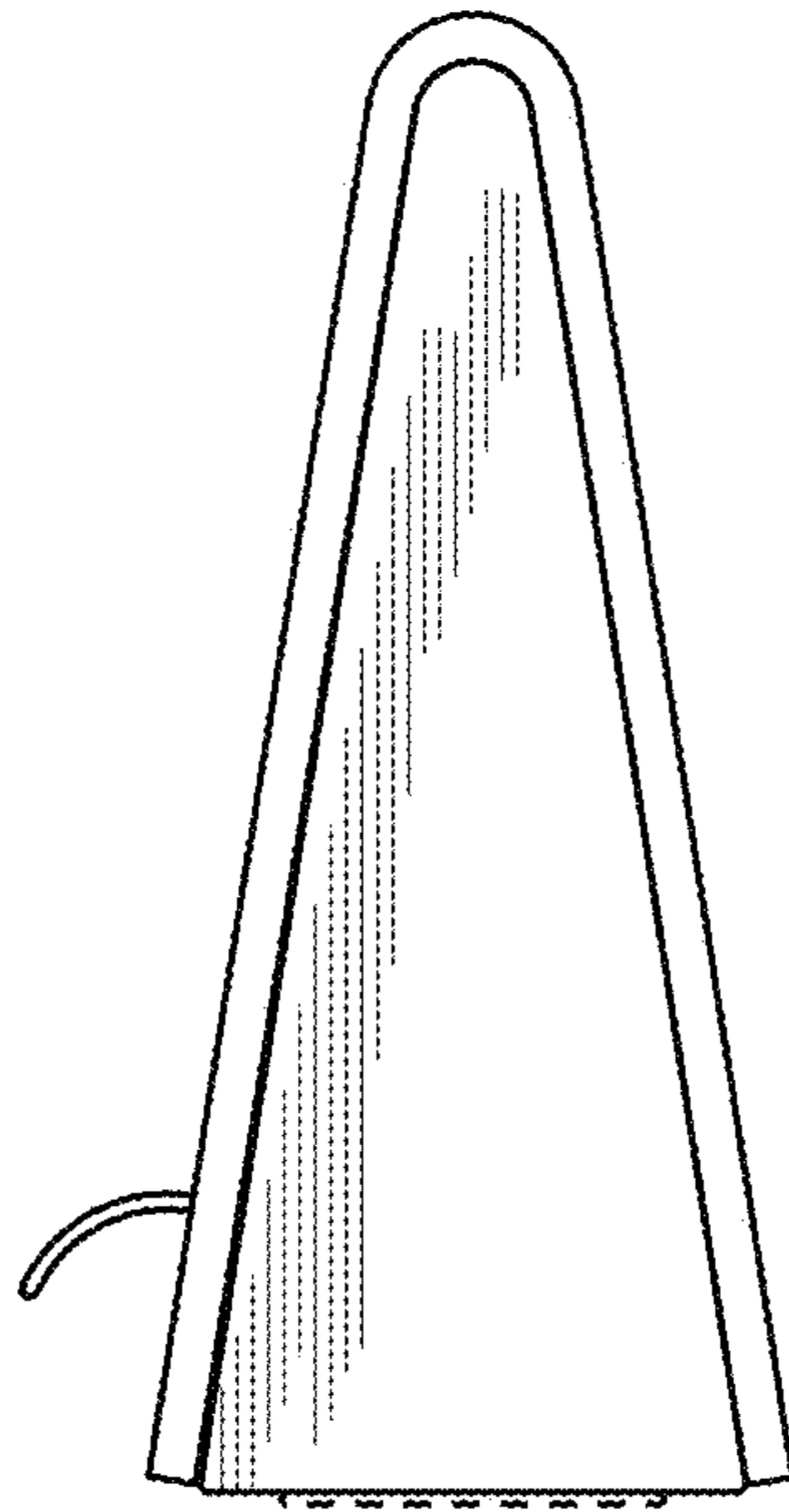


FIG. 6

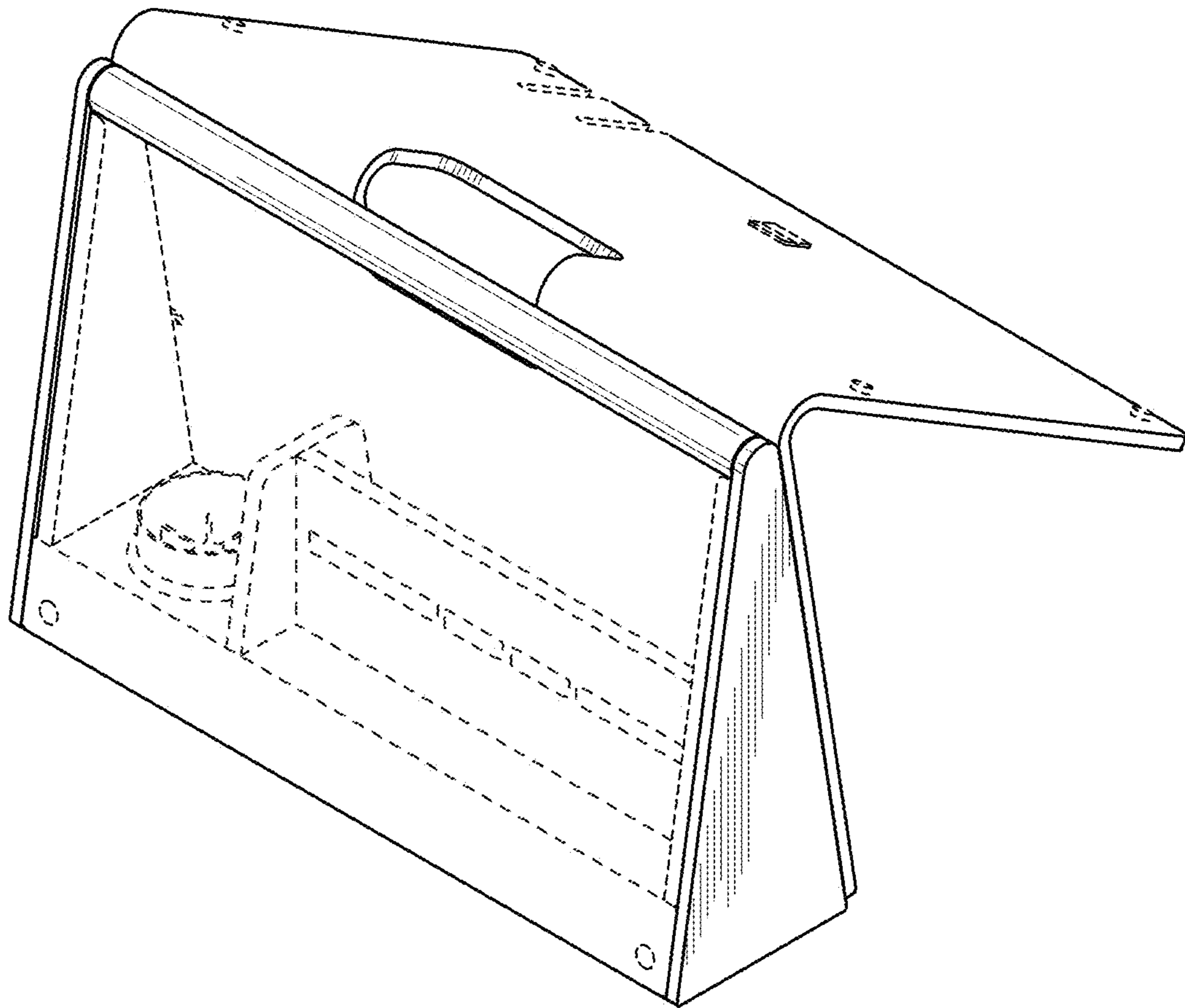


FIG. 7