



US00D933407S

(12) **United States Design Patent** (10) **Patent No.:** **US D933,407 S**
Tripoli (45) **Date of Patent:** **** Oct. 19, 2021**

(54) **COMBINED BED FRAME AND NIGHT STAND SUPPORT**

(71) Applicant: **James John Tripoli**, Rochester, NY (US)

(72) Inventor: **James John Tripoli**, Rochester, NY (US)

(**) Term: **15 Years**

(21) Appl. No.: **29/800,269**

(22) Filed: **Jul. 20, 2021**

(51) **LOC (13) Cl.** **06-06**

(52) **U.S. Cl.**
USPC **D6/709**

(58) **Field of Classification Search**
USPC D6/335, 656, 656.12, 656.17, 708, D6/708.23, 709, 709.2, 709.21, 710, 718
CPC A47C 19/024; A47C 19/025; A47C 19/02; A47B 91/00; A47B 13/00; A47B 2013/025; A47B 91/02; A47B 91/022; A47B 2200/0032; A47B 2200/0052; A47B 2200/005
See application file for complete search history.

(56) **References Cited**

U.S. PATENT DOCUMENTS

D143,466 S *	1/1946	Cowan	D6/335
D208,195 S *	8/1967	Schreyer	D6/709
D347,132 S *	5/1994	Karl	D6/709.2
D347,133 S *	5/1994	Karl	D6/709.2
D499,905 S *	12/2004	Grosfillex	D6/709
D505,812 S *	6/2005	McBrayer, Jr.	D6/709
D505,813 S *	6/2005	McBrayer, Jr.	D6/708
D573,377 S *	7/2008	Muller	D6/708
D573,814 S *	7/2008	Pless	D6/709
D581,706 S *	12/2008	Calatrava Valls	D6/708
D596,259 S *	7/2009	Deason	D21/783

(Continued)

OTHER PUBLICATIONS

“Patatas metalicas.” Found online Aug. 17, 2021 at www.pinterest.com. Image pinned May 2021. Retrieved from URL: https://www.pinterest.com/pin/291678513350310586/ (Year: 2021).*

(Continued)

Primary Examiner — Mary Ann Calabrese

Assistant Examiner — Katelin G Kloberg

(74) *Attorney, Agent, or Firm* — Tracy Jong Law Firm; Tracy P. Jong; Cheng Ning Jong

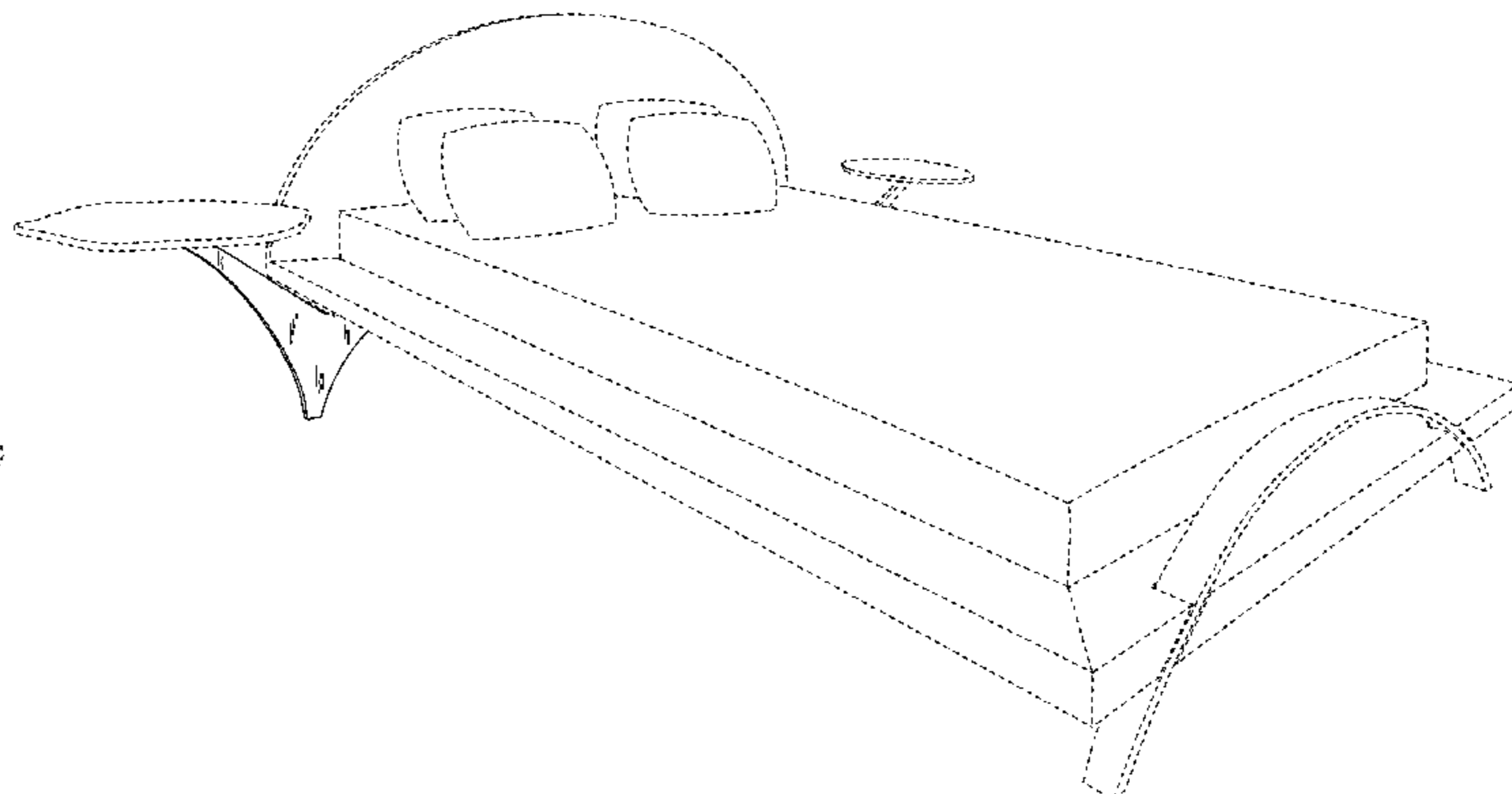
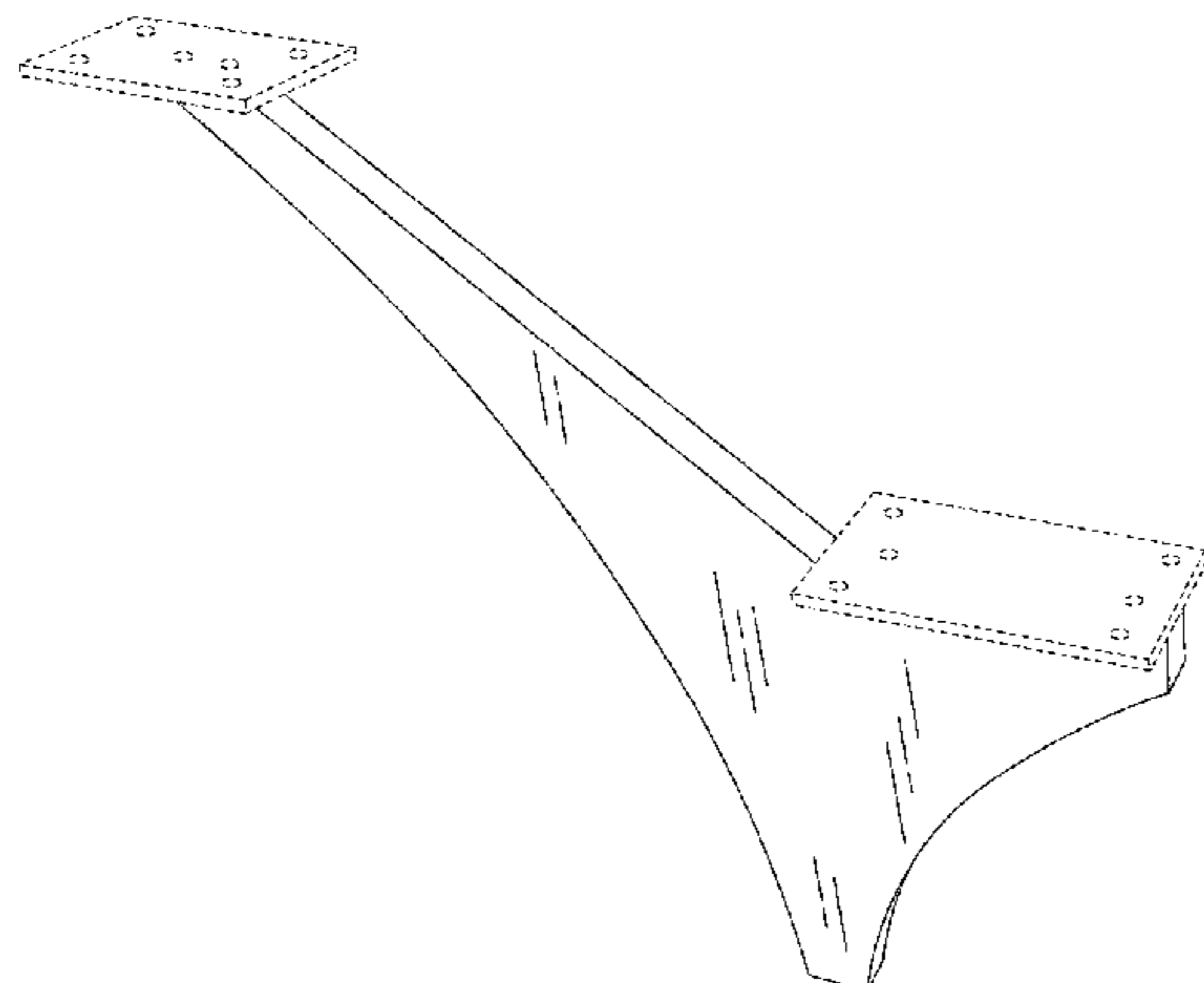
(57) **CLAIM**

The ornamental design for a combined bed frame and night stand support, as shown and described.

DESCRIPTION

FIG. 1 is a bottom, front perspective view of a combined bed frame leg and night stand support, showing my new design; FIG. 2 is a top, front perspective view thereof; FIG. 3 is a rear elevation view thereof; FIG. 4 is a front elevation view thereof; FIG. 5 is a left side elevation view thereof; FIG. 6 is a right side elevation view thereof; FIG. 7 is a top plan view thereof; FIG. 8 is a bottom plan view thereof; FIG. 9 is a top, front perspective view of a combined bed frame leg and night stand support, shown within a first environment of use; FIG. 10 is a top, rear perspective view thereof; FIG. 11 is a top, front perspective view of a combined bed frame leg and night stand support, shown in within a second environment of use; and, FIG. 12 is a top, rear perspective view thereof. In FIGS. 1-8, the broken lines depict portions of the article that form no part of the claimed design. In FIGS. 9-12, the broken lines depict environmental subject matter that forms no part of the claimed design.

1 Claim, 8 Drawing Sheets



(56)

References Cited

U.S. PATENT DOCUMENTS

D614,892 S	*	5/2010	Miller	D6/708
D634,949 S	*	3/2011	Babick	D6/709
D646,081 S	*	10/2011	Muller	D6/708
D665,602 S	*	8/2012	Muller	D6/708
D761,046 S	*	7/2016	Babick	D6/709
D907,421 S	*	1/2021	Young	D6/709

OTHER PUBLICATIONS

“Silver Furniture Legs.” Found online Aug. 17, 2021 at www.imall.com. Page dated Aug. 17, 2020. Retrieved from URL: <https://tinyurl.com/3emh2zyv> (Year: 2020).*

“Modway Tracy Mid-Century Modern Upholstered Headboard Queen Platform.” Found online Aug. 17, 2021 at www.amazon.com. Product reviewed Sep. 26, 2018. Retrieved from URL: <https://www.amazon.com/Modway-Mid-Century-Modern-Platform-Tables/dp/B074SD2VWQ?th=1> (Year: 2018).*

“Cantilever Support Brackets.” Found online Aug. 17, 2021 at www.amazon.com. Product first available Sep. 9, 2013. Retrieved from URL: <https://www.amazon.com/Cantilever-Support-Brackets-Gray-18/dp/B00ZGOFHKS> (Year: 2013).*

* cited by examiner

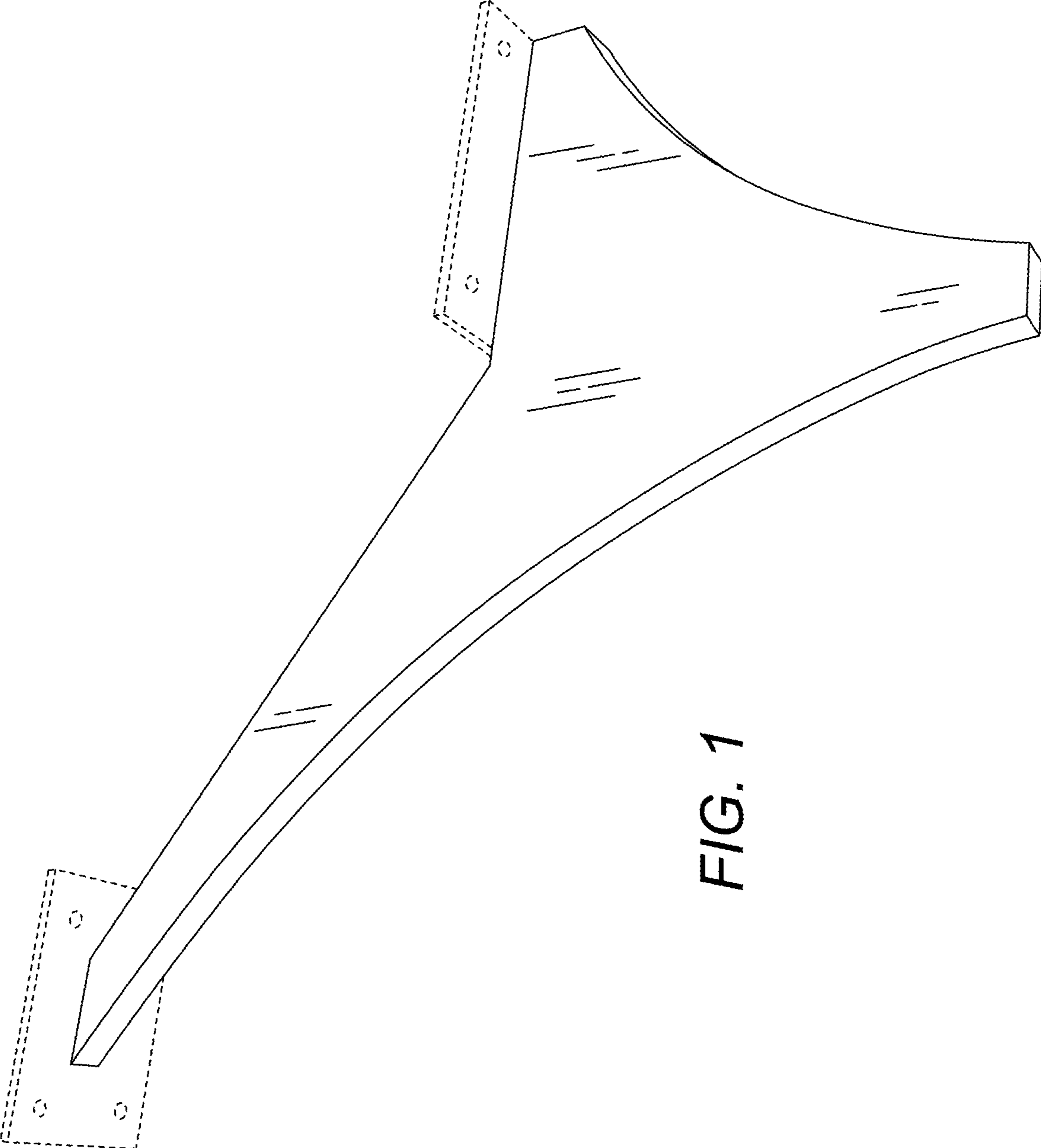


FIG. 1

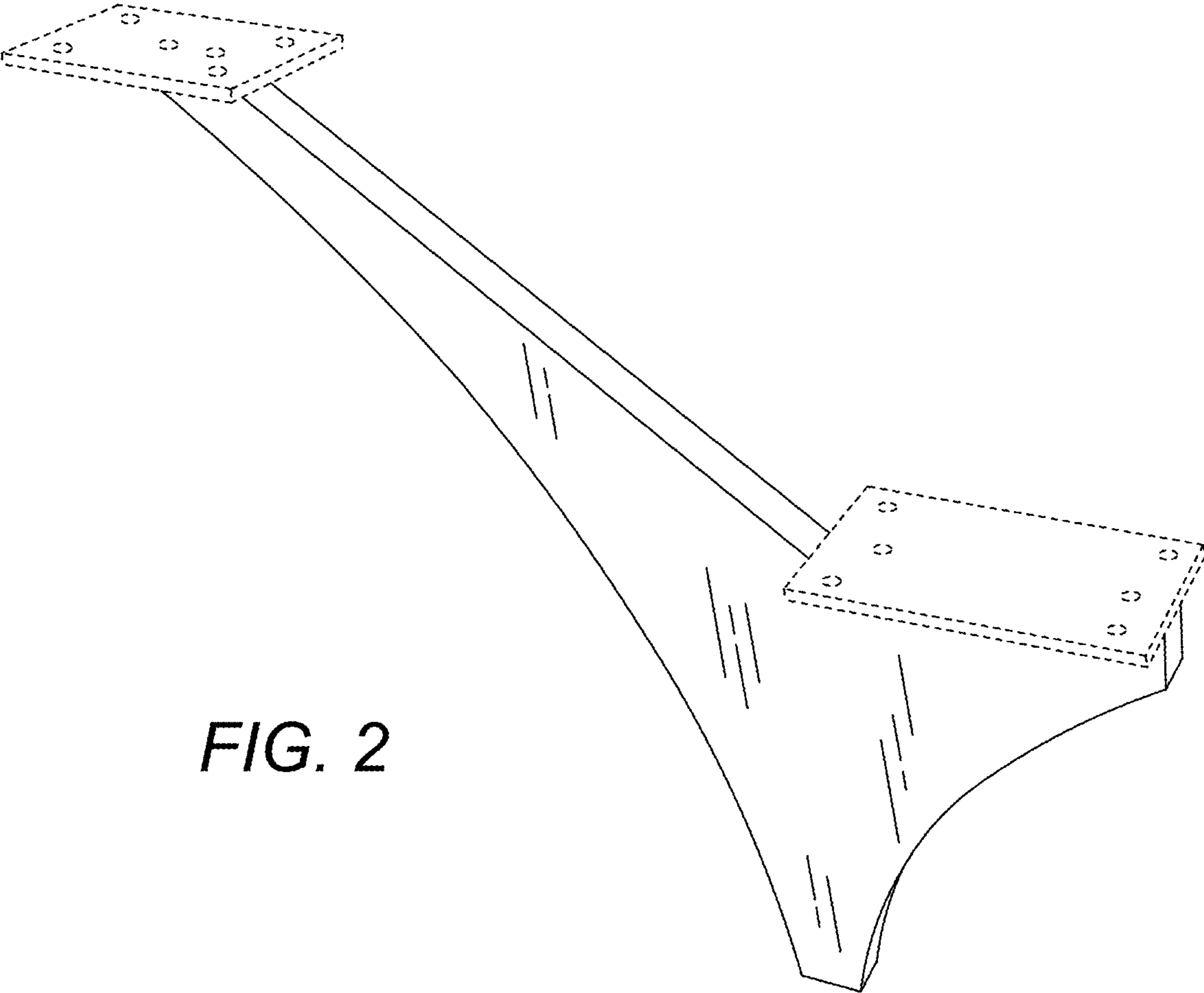
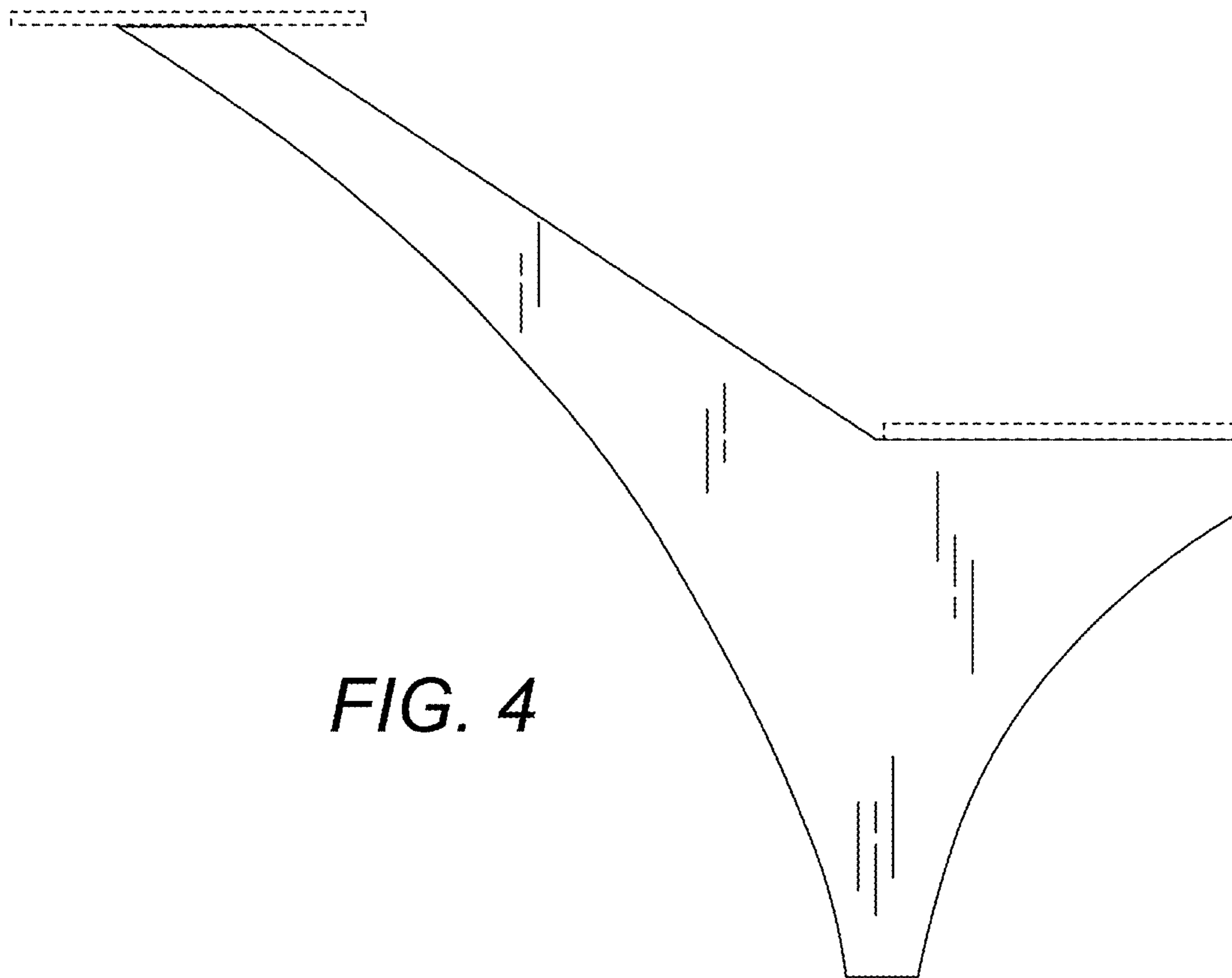
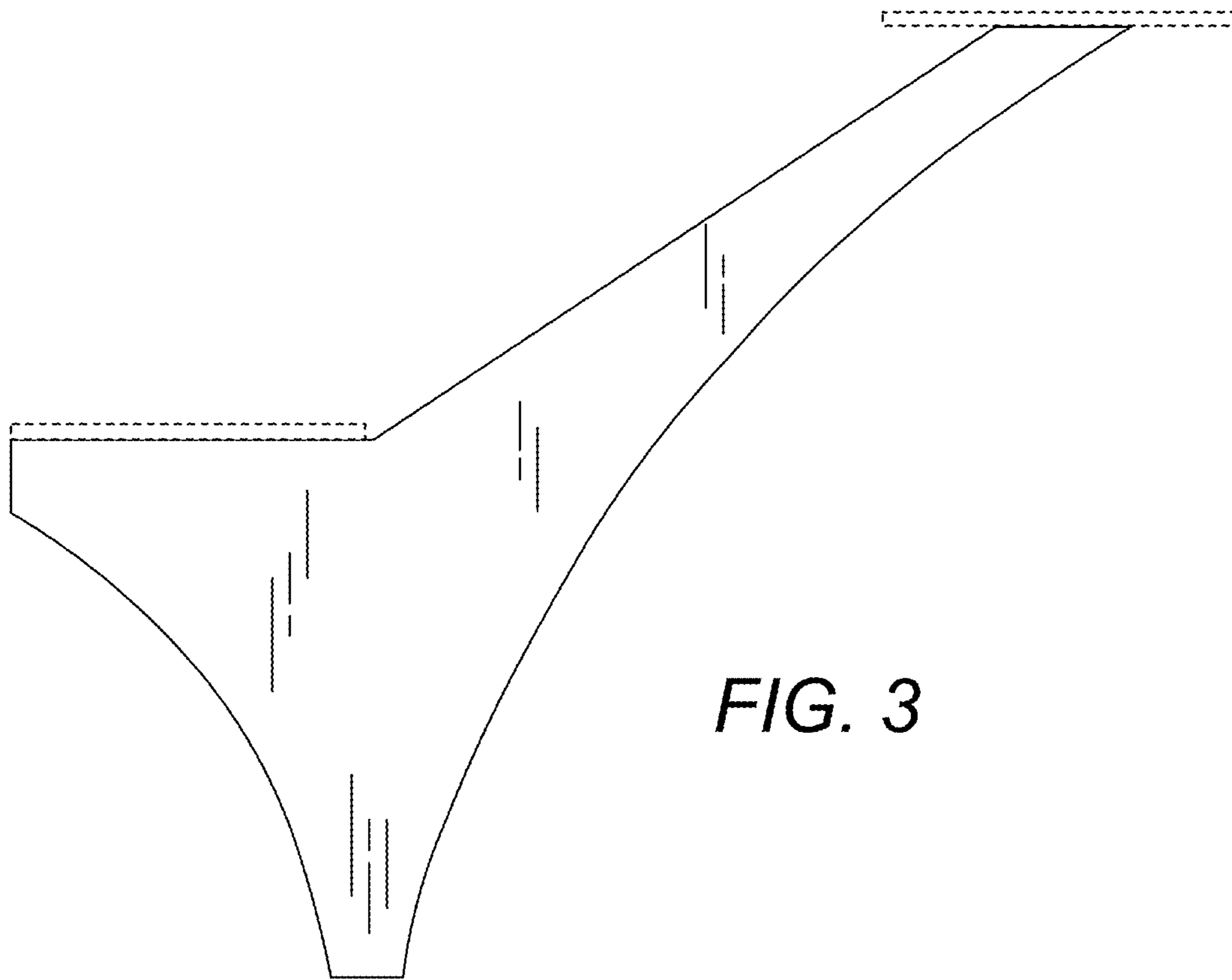


FIG. 2



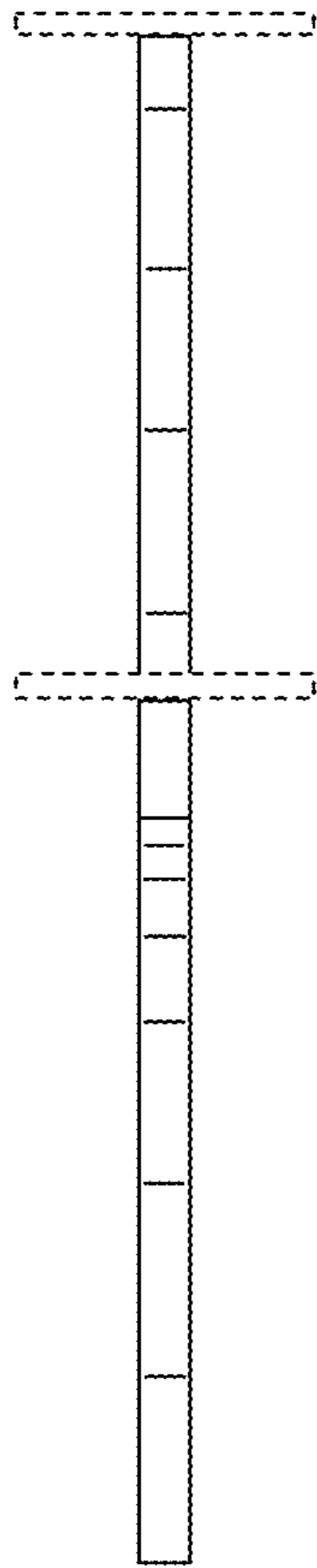


FIG. 5

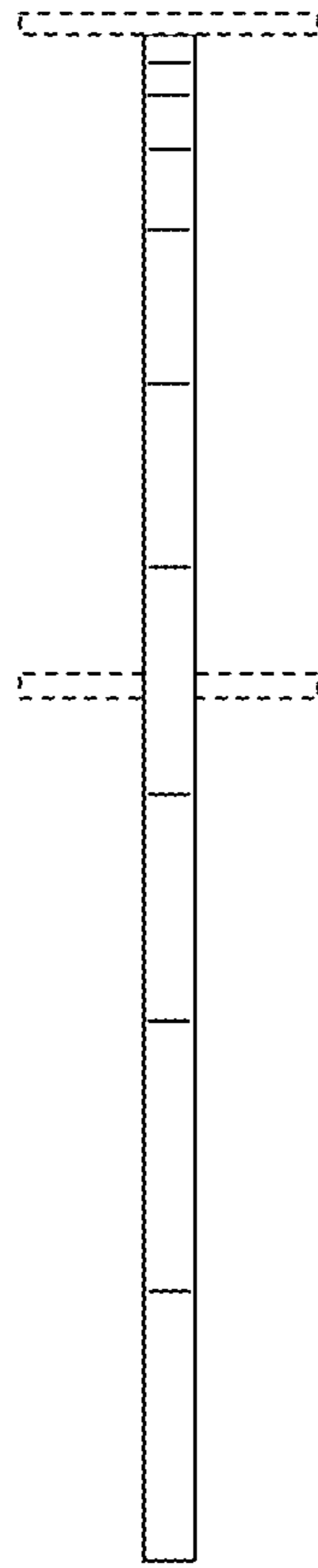


FIG. 6

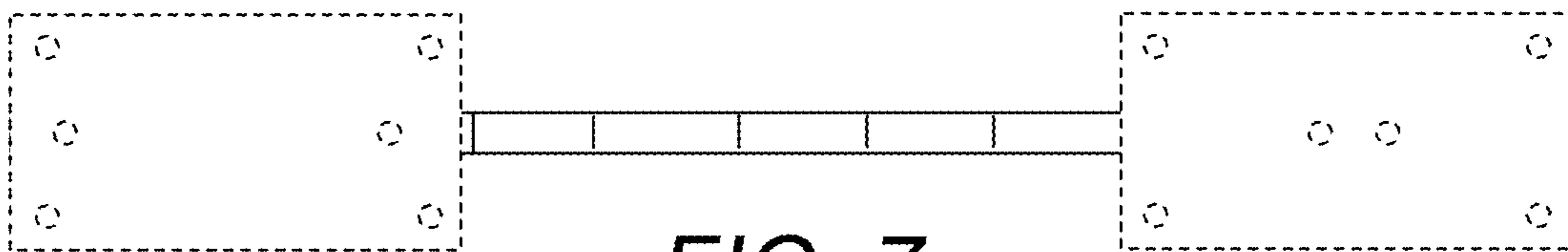


FIG. 7

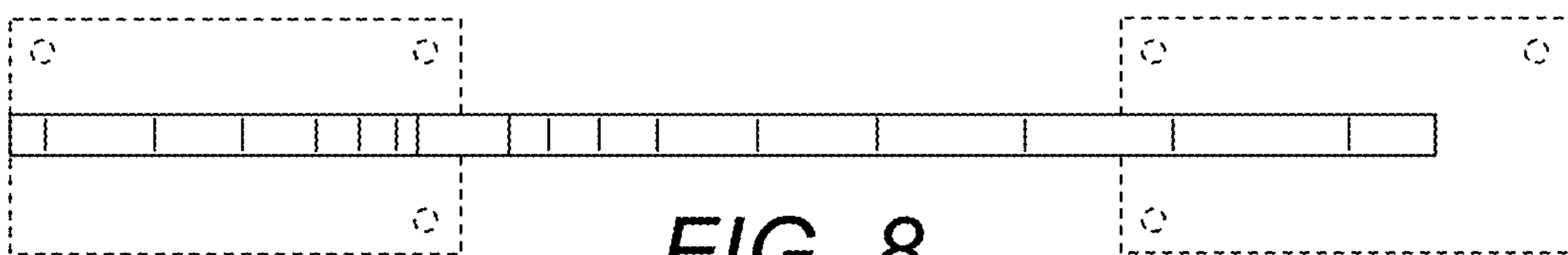


FIG. 8

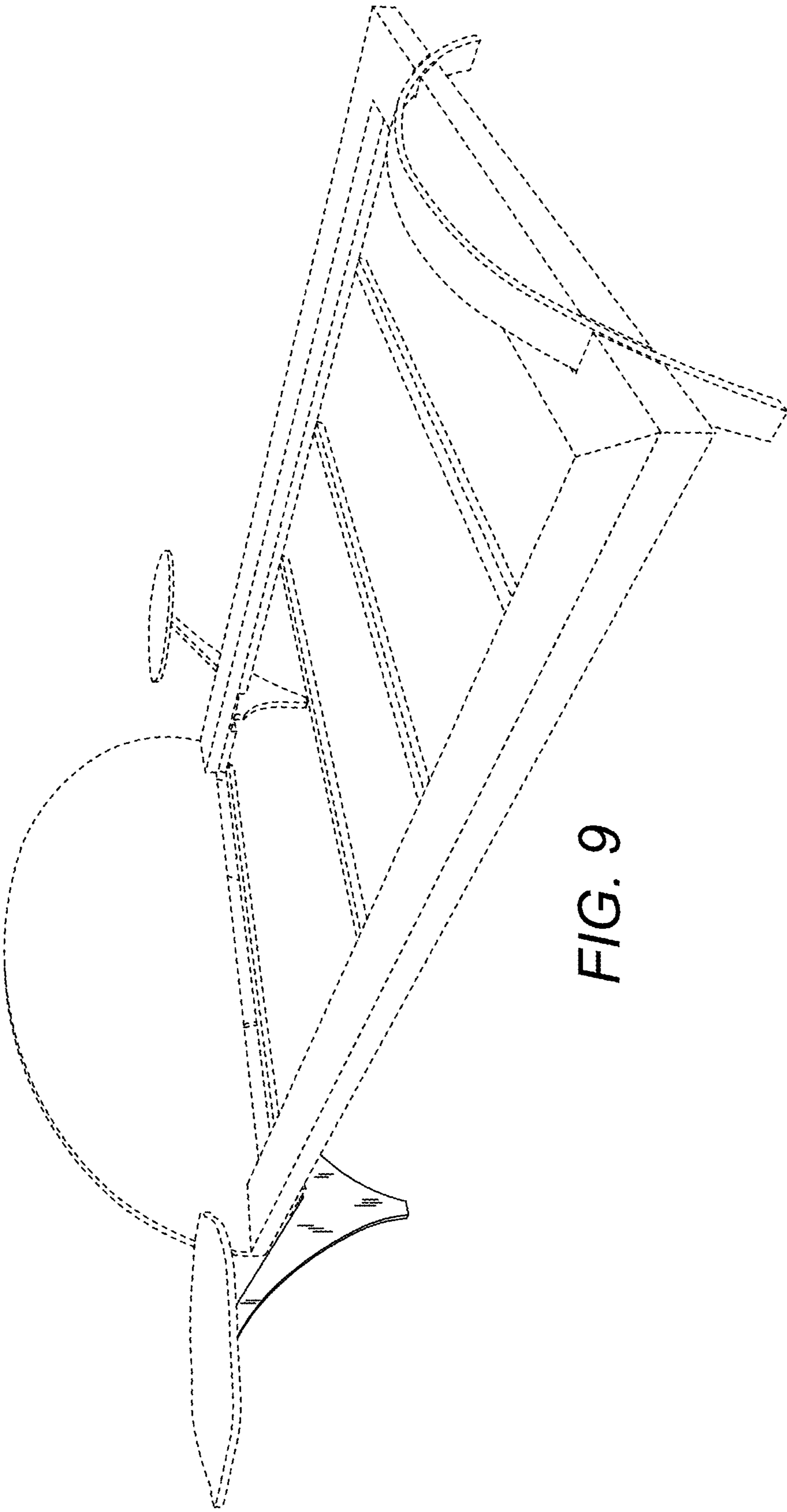


FIG. 9

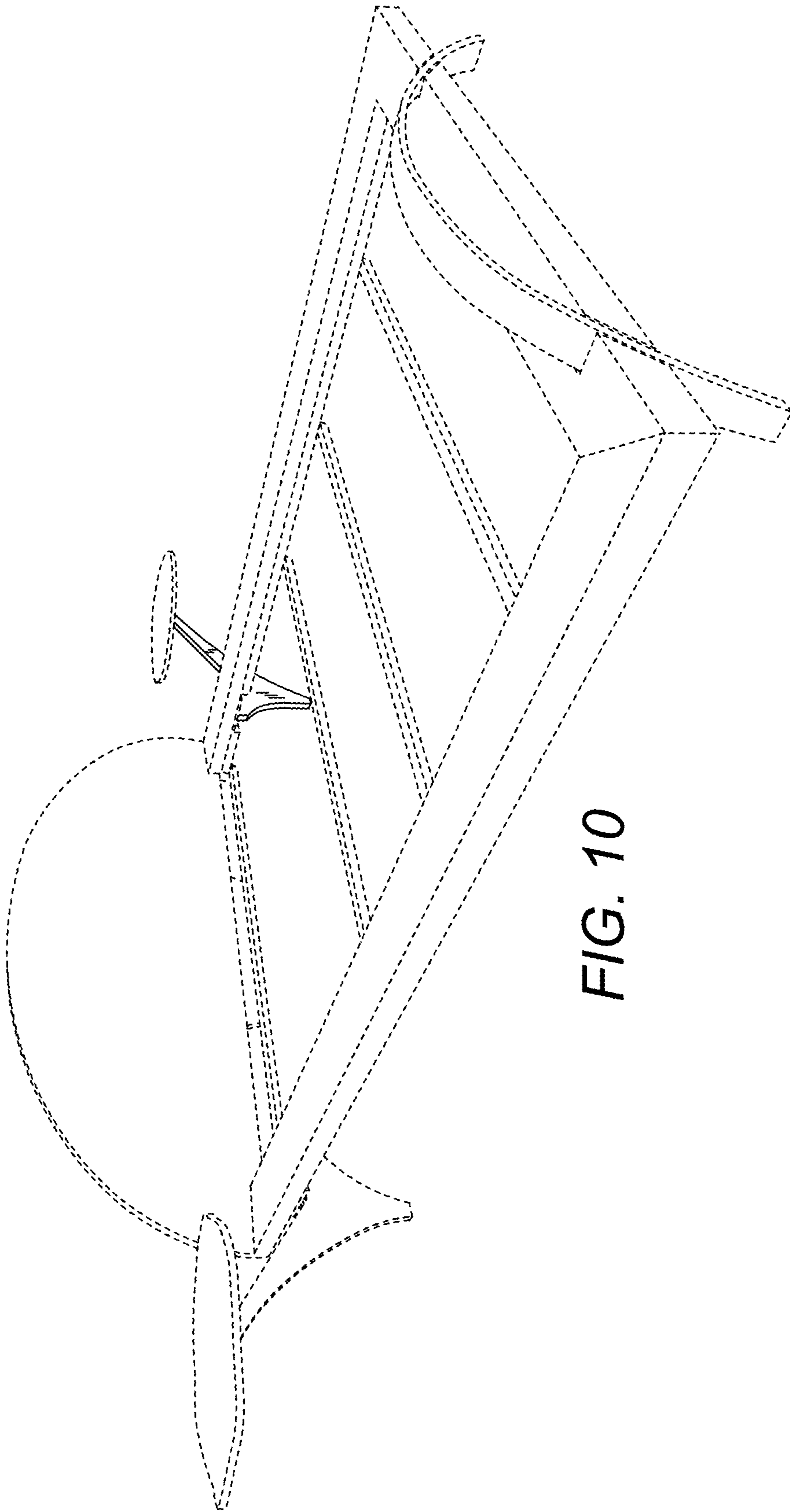


FIG. 10

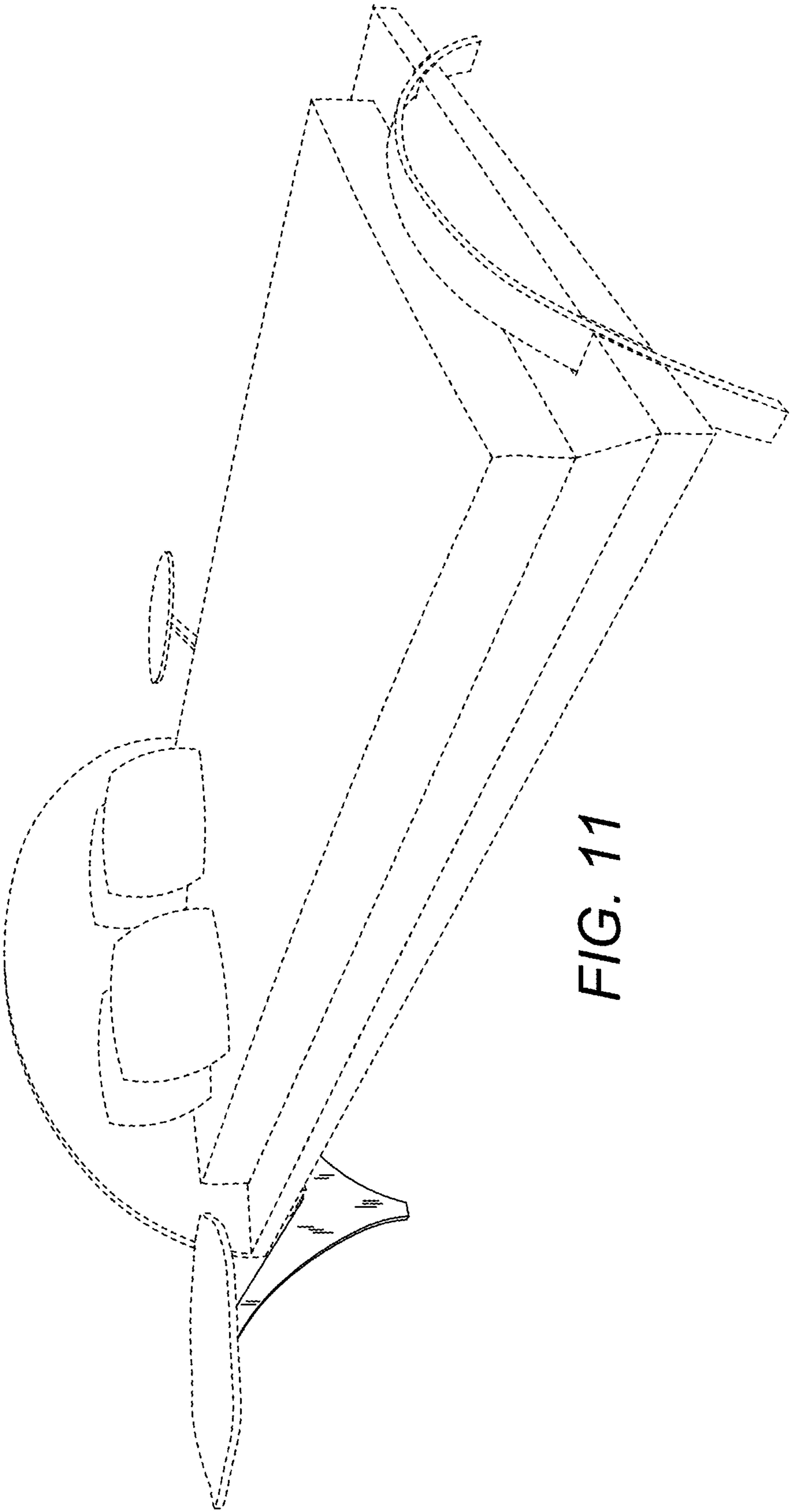


FIG. 11

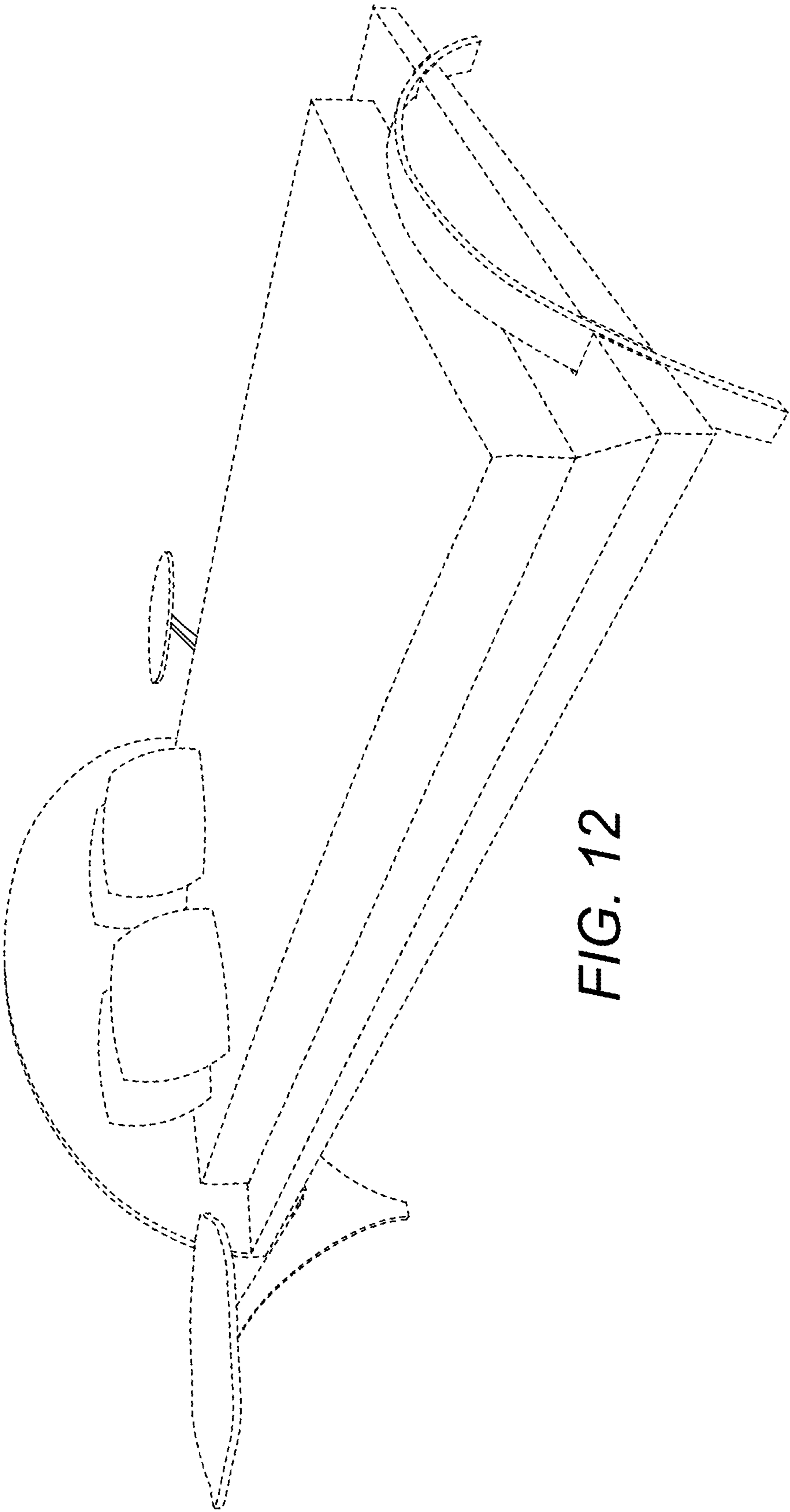


FIG. 12