



US00D933406S

(12) **United States Design Patent** (10) **Patent No.:** **US D933,406 S**
Xiao (45) **Date of Patent:** **** Oct. 19, 2021**

(54) **TABLE**

(71) Applicant: **TAIZHOU SUKK FURNITURE CO., LTD**, Zhejiang (CN)

(72) Inventor: **shuangshuang Xiao**, Zhejiang (CN)

(73) Assignee: **TAIZHOU SUKK FURNITURE CO., LTD**, Taizhou (CN)

(**) Term: **15 Years**

(21) Appl. No.: **29/750,540**

(22) Filed: **Sep. 15, 2020**

(51) **LOC (13) Cl.** **06-03**

(52) **U.S. Cl.**
USPC **D6/691.1**

(58) **Field of Classification Search**
USPC D6/685, 686, 691, 691.1–691.9
CPC A47B 7/00; A47B 13/00; A47B 13/02;
A47B 13/04; A47B 13/06; A47B 13/08;
A47B 13/10; A47B 13/12; A47B 21/00;
A47B 2200/0001; A47B 2200/0022;
A47B 2200/002

See application file for complete search history.

(56) **References Cited**

U.S. PATENT DOCUMENTS

D430,759 S	*	9/2000	Zarker, Jr.	D6/692.1
D438,730 S	*	3/2001	D’Urso	D6/691.1
D512,586 S	*	12/2005	Cross	D6/691.1
D580,194 S	*	11/2008	Lambert	D6/689
D580,681 S	*	11/2008	Lambert	D6/689
D742,146 S	*	11/2015	Lin	D6/691
D780,469 S	*	3/2017	Cohen	D6/349
D840,730 S	*	2/2019	Bougay	D6/691.1
D853,160 S	*	7/2019	Barber	D6/691.1
D871,810 S	*	1/2020	West	D6/691.1
D874,195 S	*	2/2020	Galiotto	D6/686
D896,012 S	*	9/2020	Birch	D6/691.1
D920,022 S	*	5/2021	Xiao	D6/689
D923,376 S	*	6/2021	Ji	D6/691.1

OTHER PUBLICATIONS

Baylor Teak Rectangular Dining Table—TreeTop Products <http://www.treetopproducts.com/baylor-teak-rectangular-dining-table-teak-and-stainless-steel> retrieved from the internet on Sep. 6, 2019.*

Modway EEI-1509-BRN-GRY Maine 80" Outdoor Patio Dining Table in Brown Gray—Amazon https://www.amazon.com/Modway-EEI-1509-BRN-GRY-Maine-Outdoor-Dining/dp/B00VVRDPQ/ref=sr_1_28?dchild=1&keywords=%22Maine%2B40%22%2BRectangular%2BOutdoor%2BPatio%2BDining%2BTable%2B-%2BModway%22&qid=1629127885&sr=8-28&th=1 retrieved from the internet on Aug. 16, 2021.*

Outdoor Table Bench And Chairs—Shopestop <https://enstock3c.top/ProductDetail.aspx?iid=206162500&pr=83.99> retrieved from the internet on Aug. 16, 2021.*

* cited by examiner

Primary Examiner — Mary Ann Calabrese

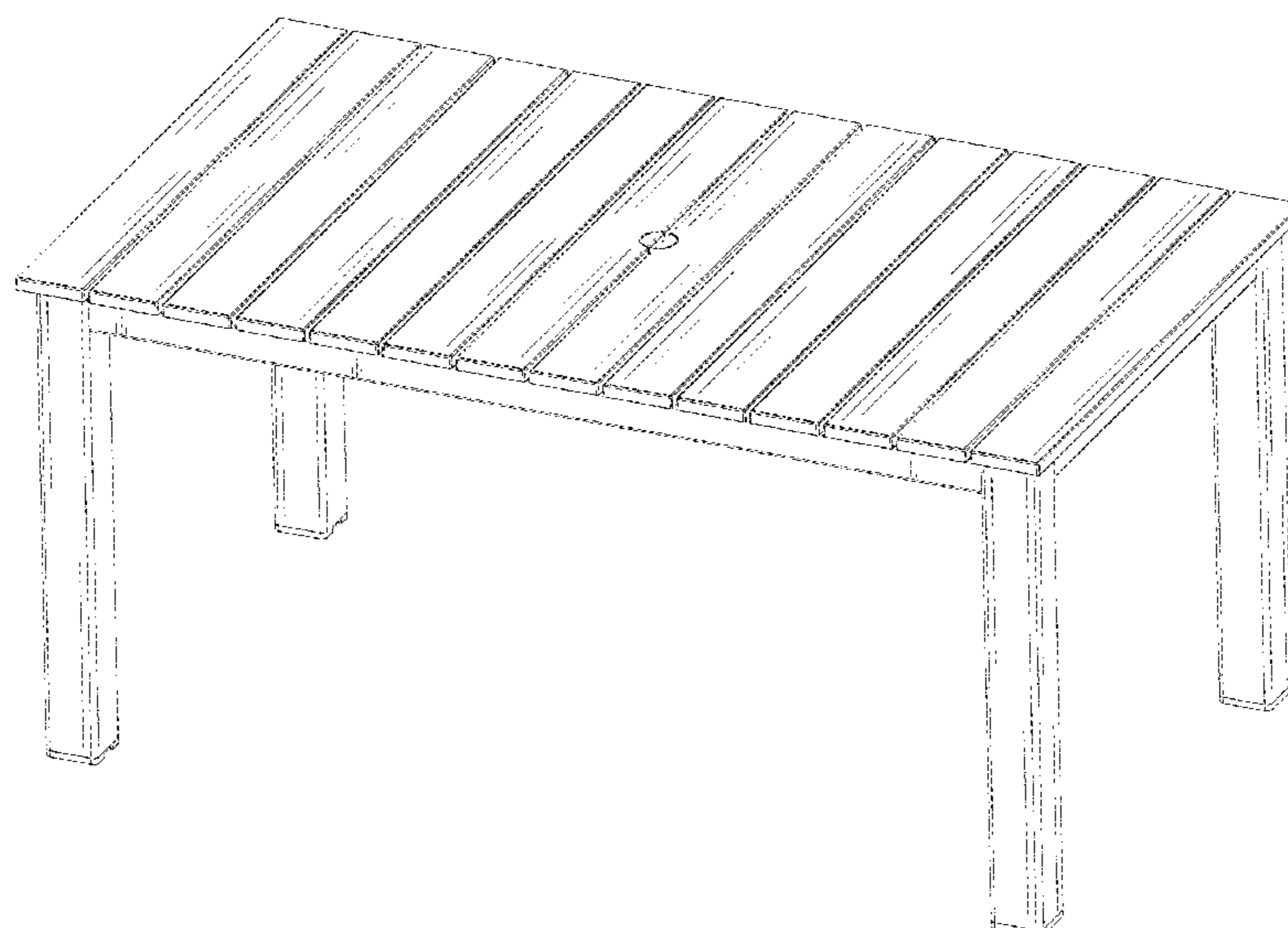
(57) **CLAIM**

The ornamental design for a table, as shown and described.

DESCRIPTION

FIG. 1 is a perspective view of a table in accordance with a first embodiment showing my new design; FIG. 2 is a front elevational view thereof; FIG. 3 is a rear elevational view thereof; FIG. 4 is a left side elevational view thereof; FIG. 5 is a right side elevational view thereof; FIG. 6 is a top plan view thereof; FIG. 7 is a perspective view of the table in accordance with a second embodiment; FIG. 8 is a front elevational view thereof; FIG. 9 is a rear elevational view thereof; FIG. 10 is a left side elevational view thereof; FIG. 11 is a right side elevational view thereof; and, FIG. 12 is a top plan view thereof.

1 Claim, 12 Drawing Sheets



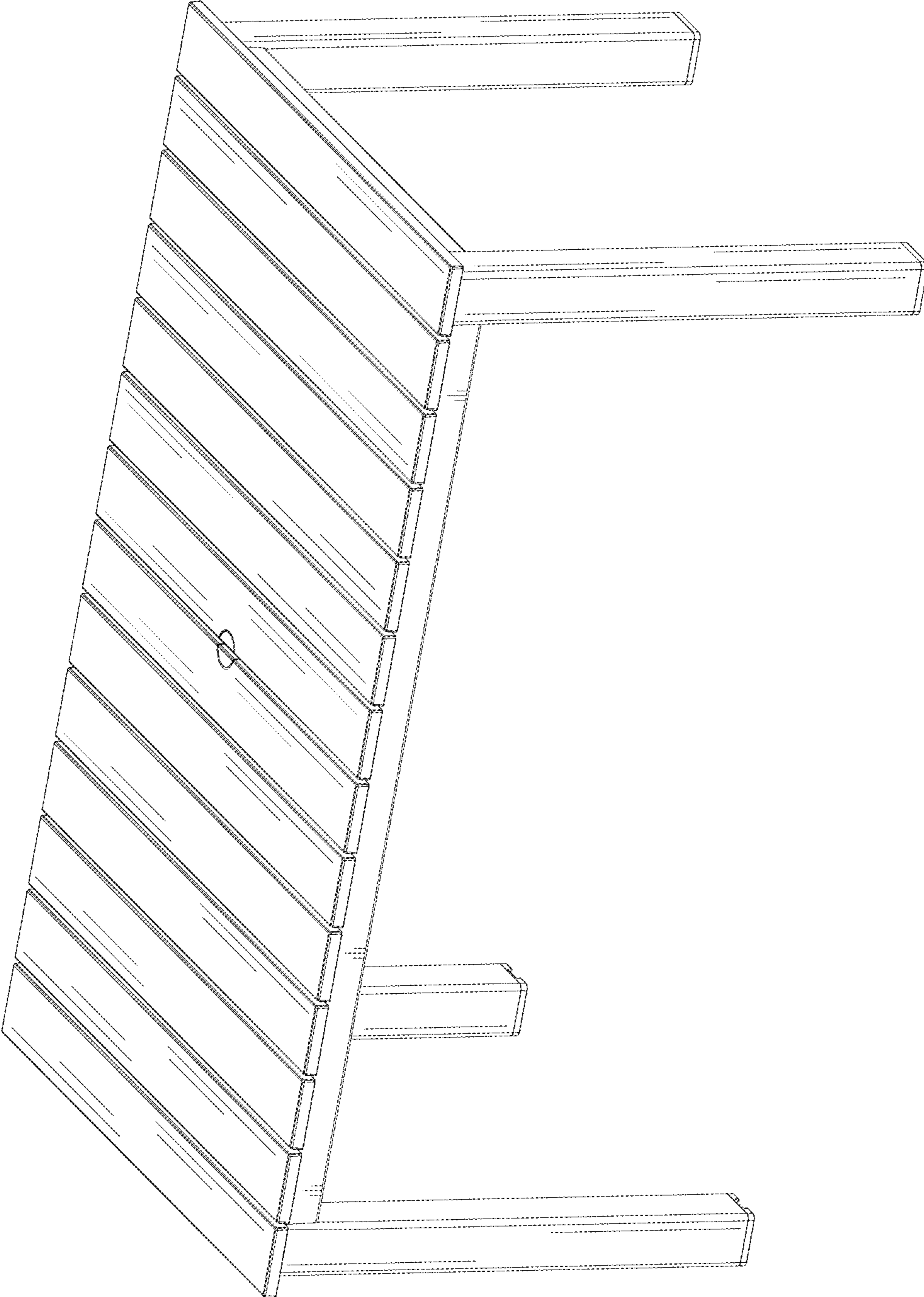


FIG. 1

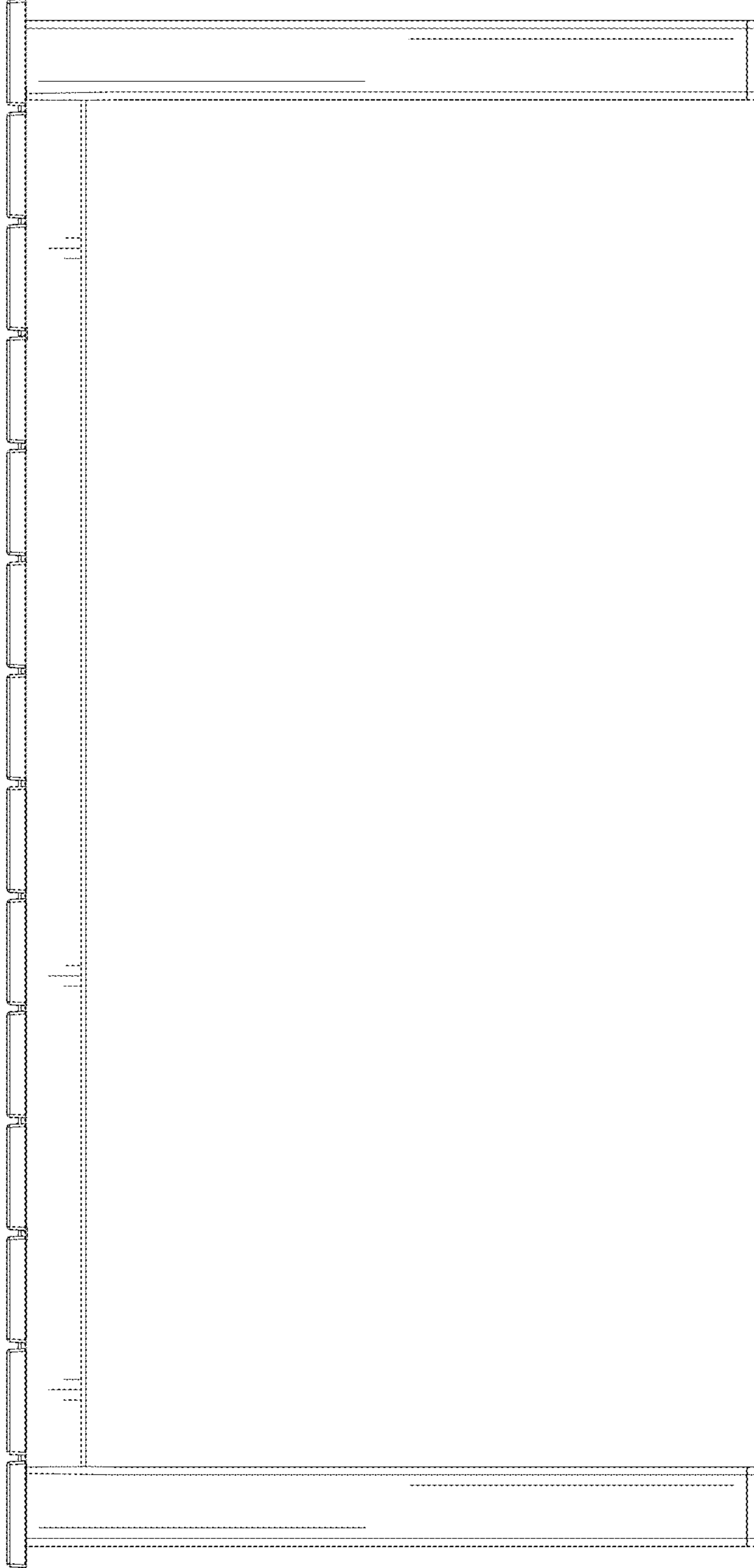


FIG. 2

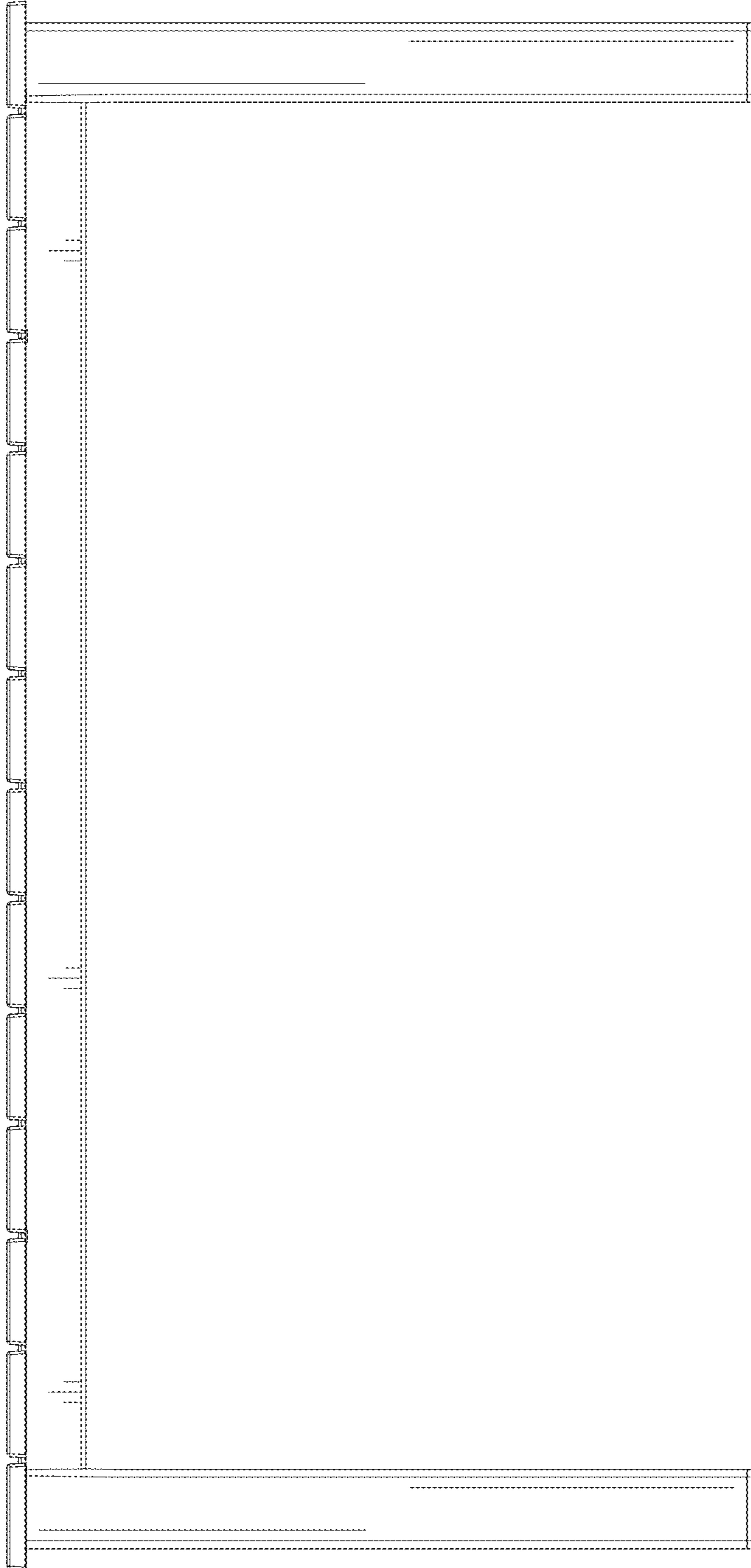


FIG. 3

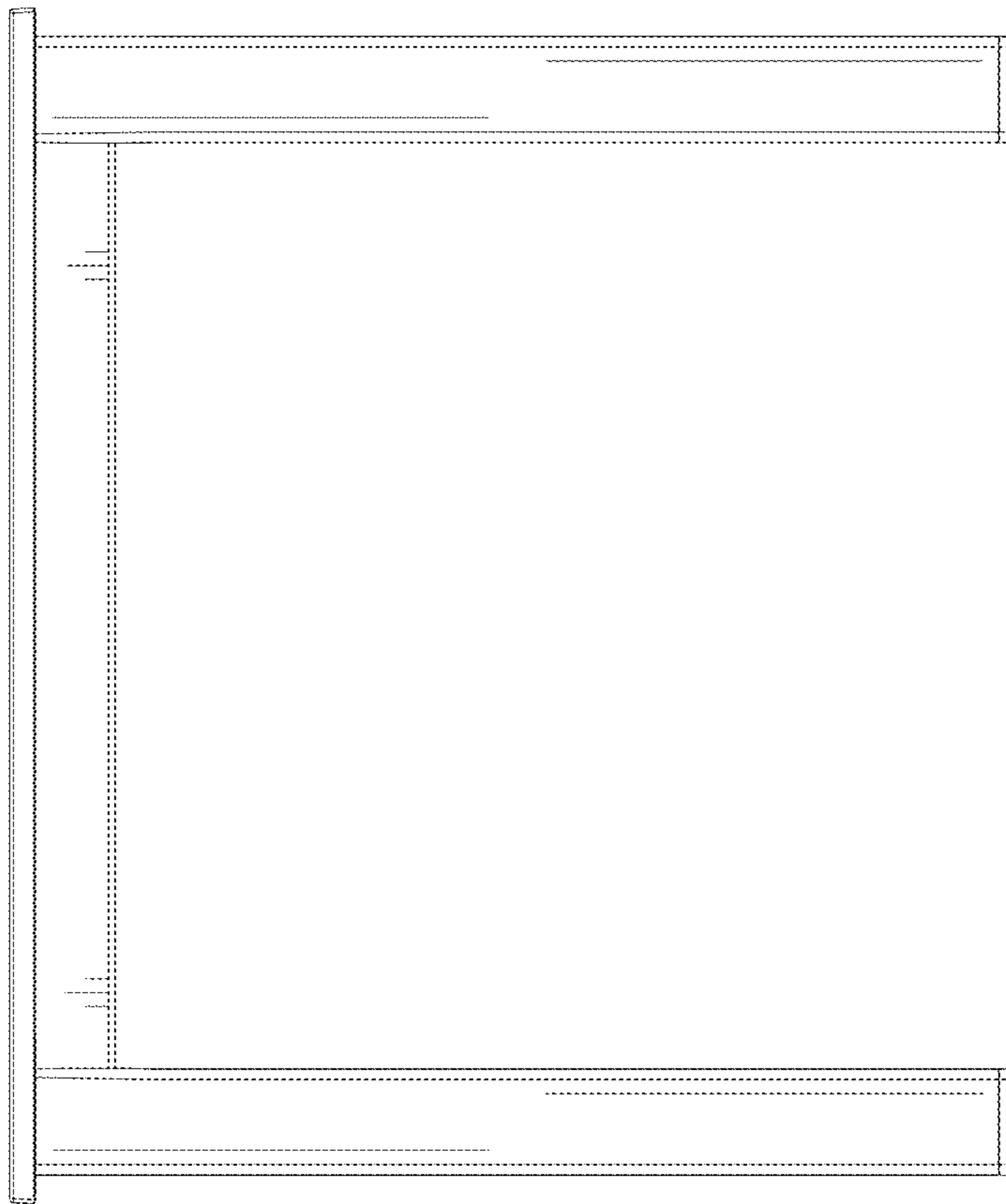


FIG. 4

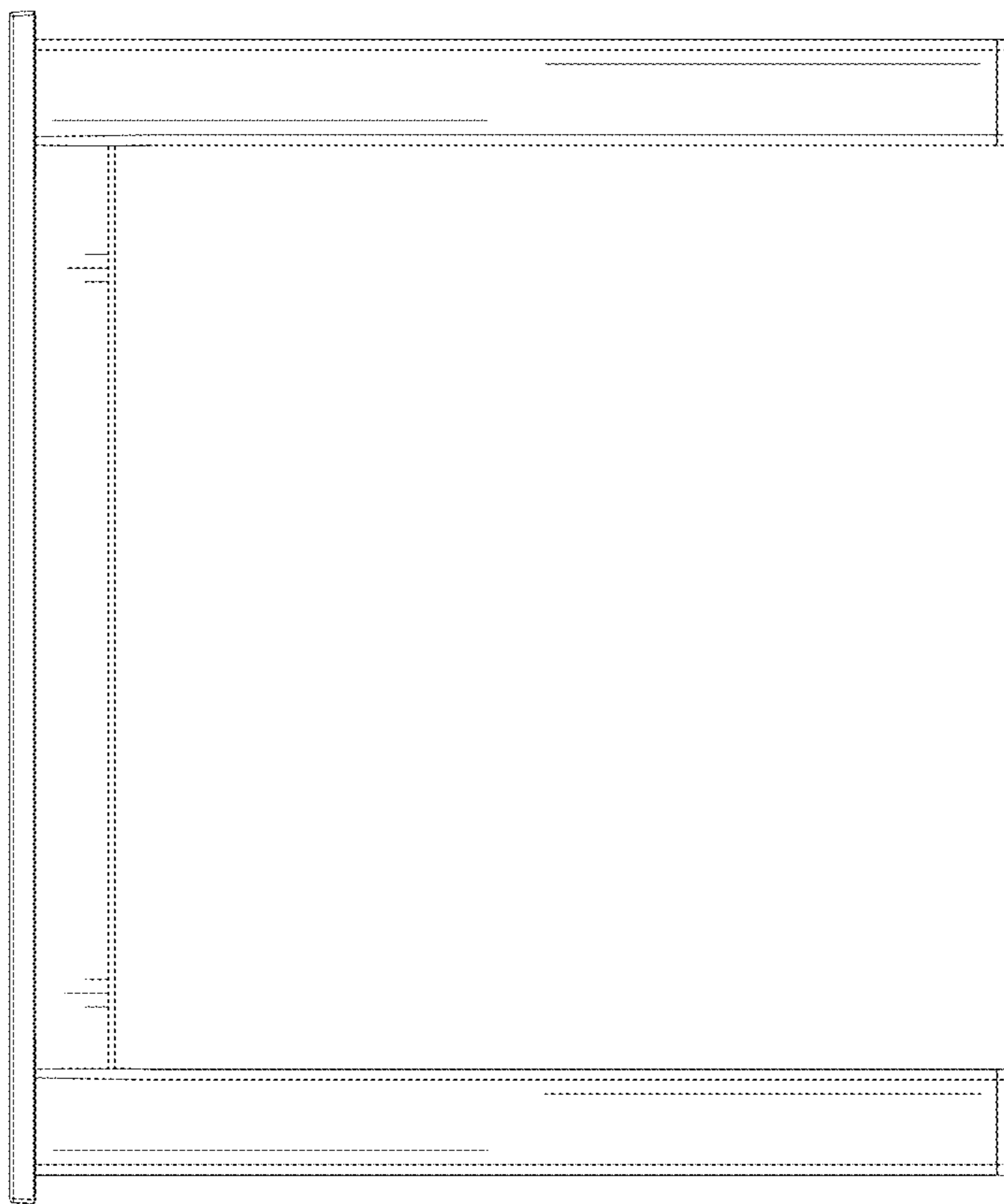


FIG. 5

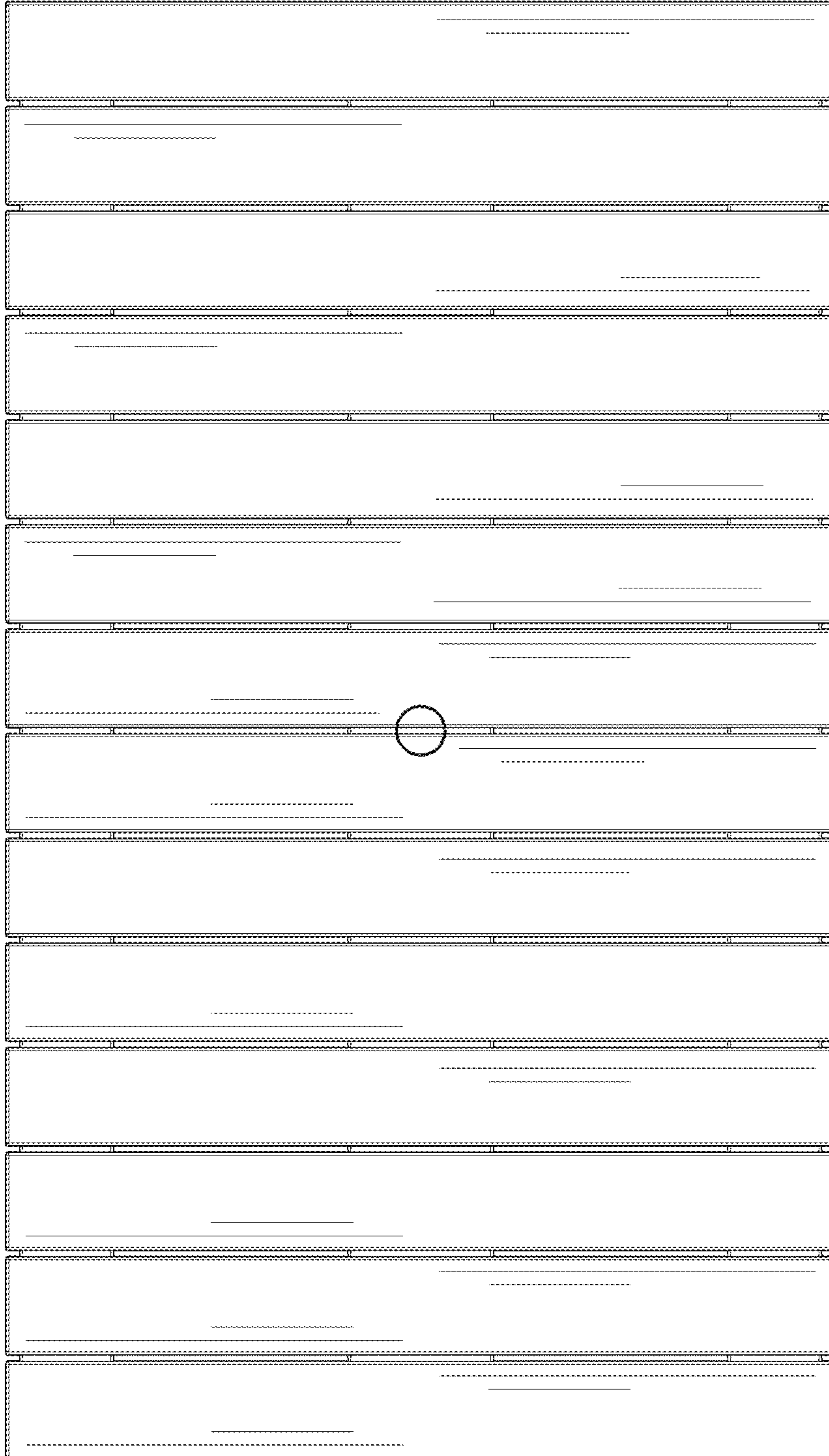


FIG. 6

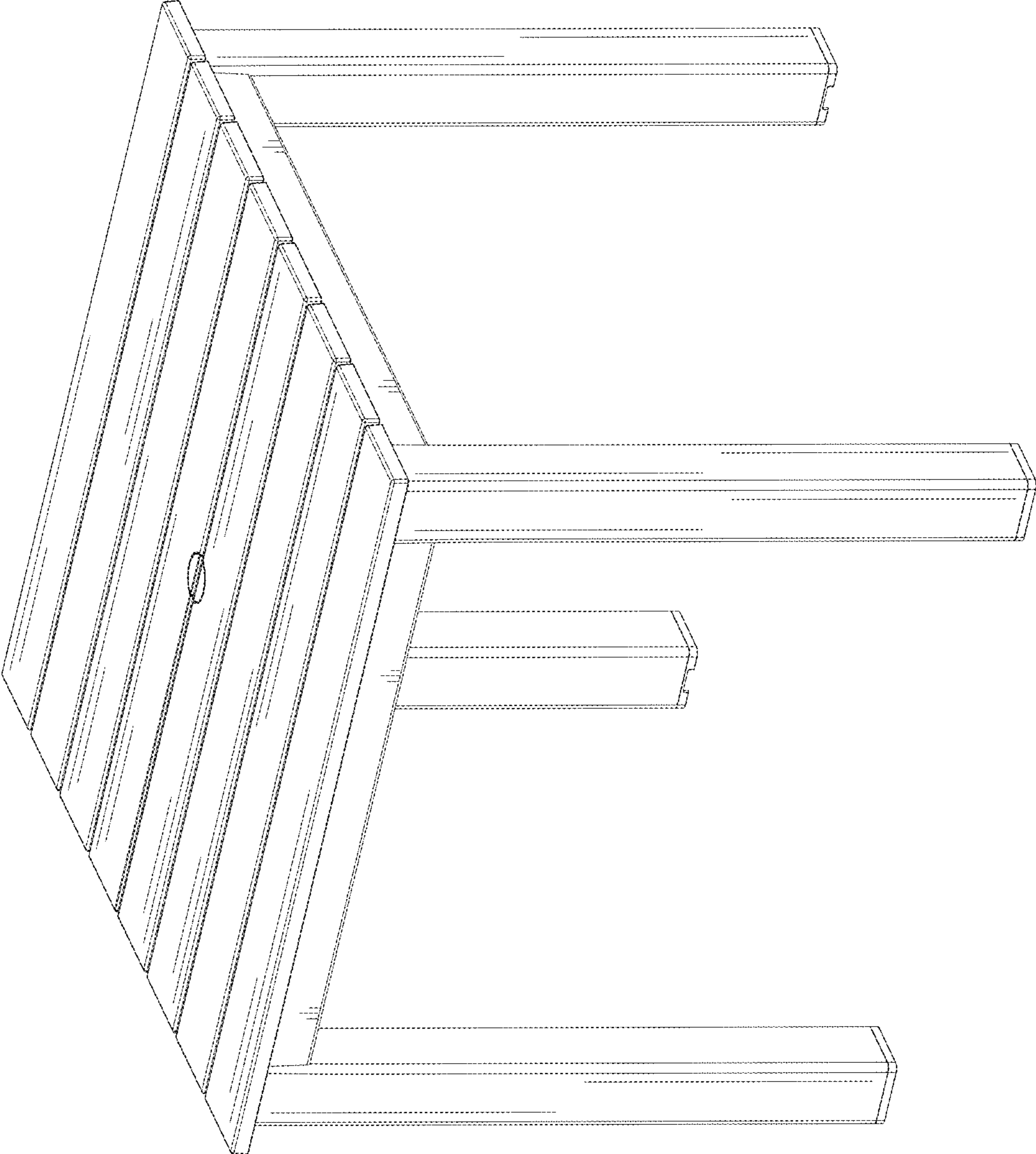


FIG. 7

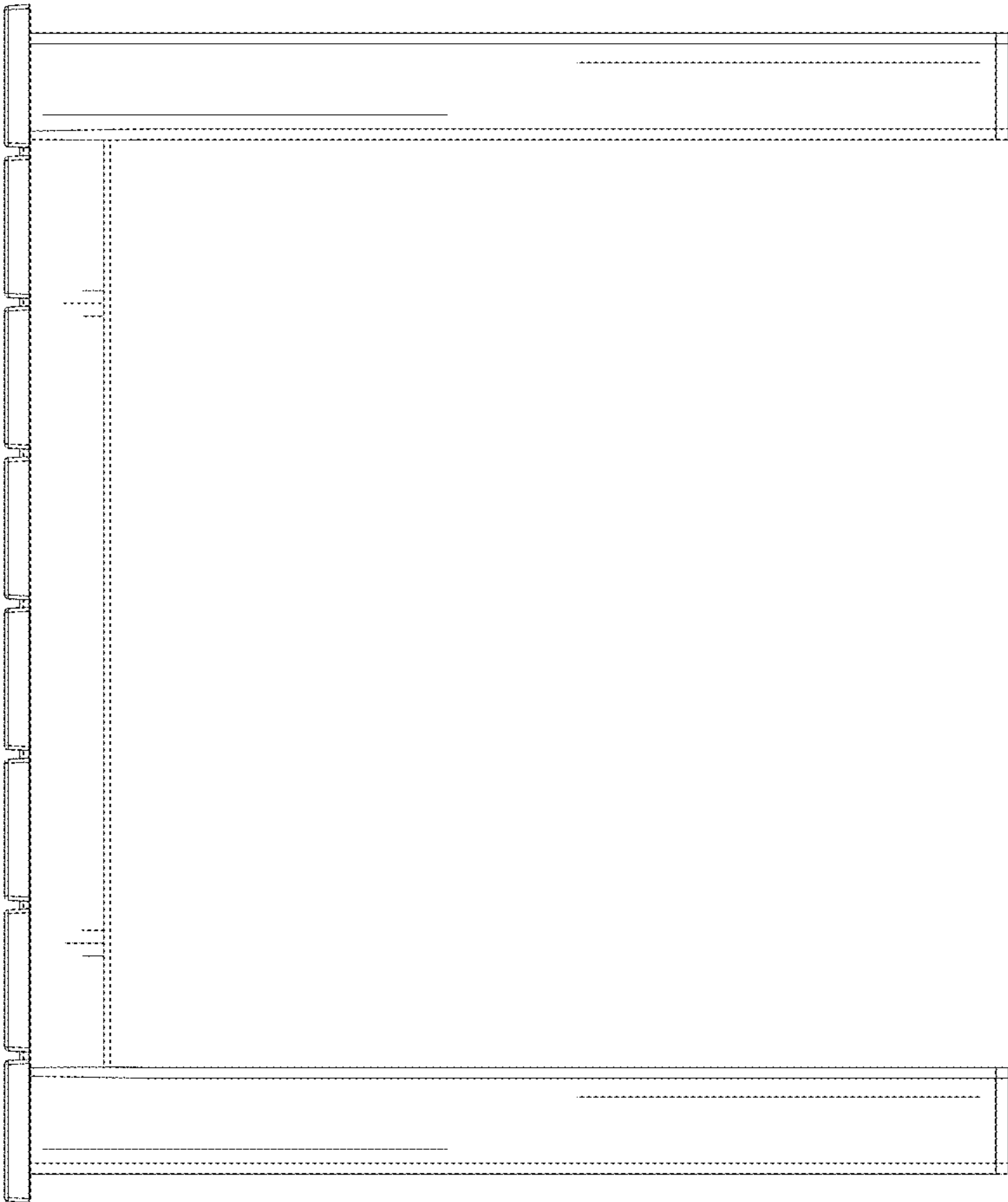


FIG. 8

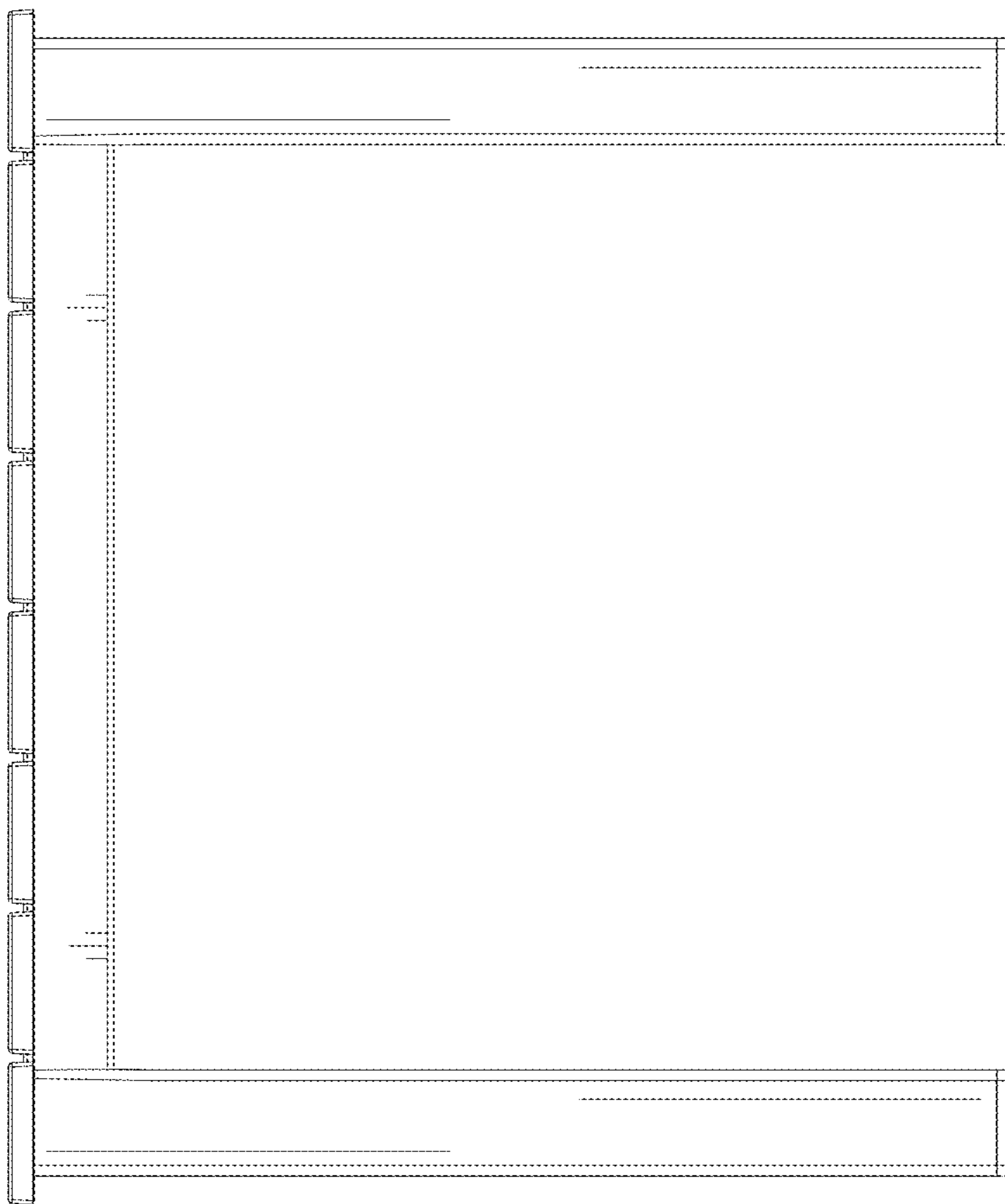


FIG. 9

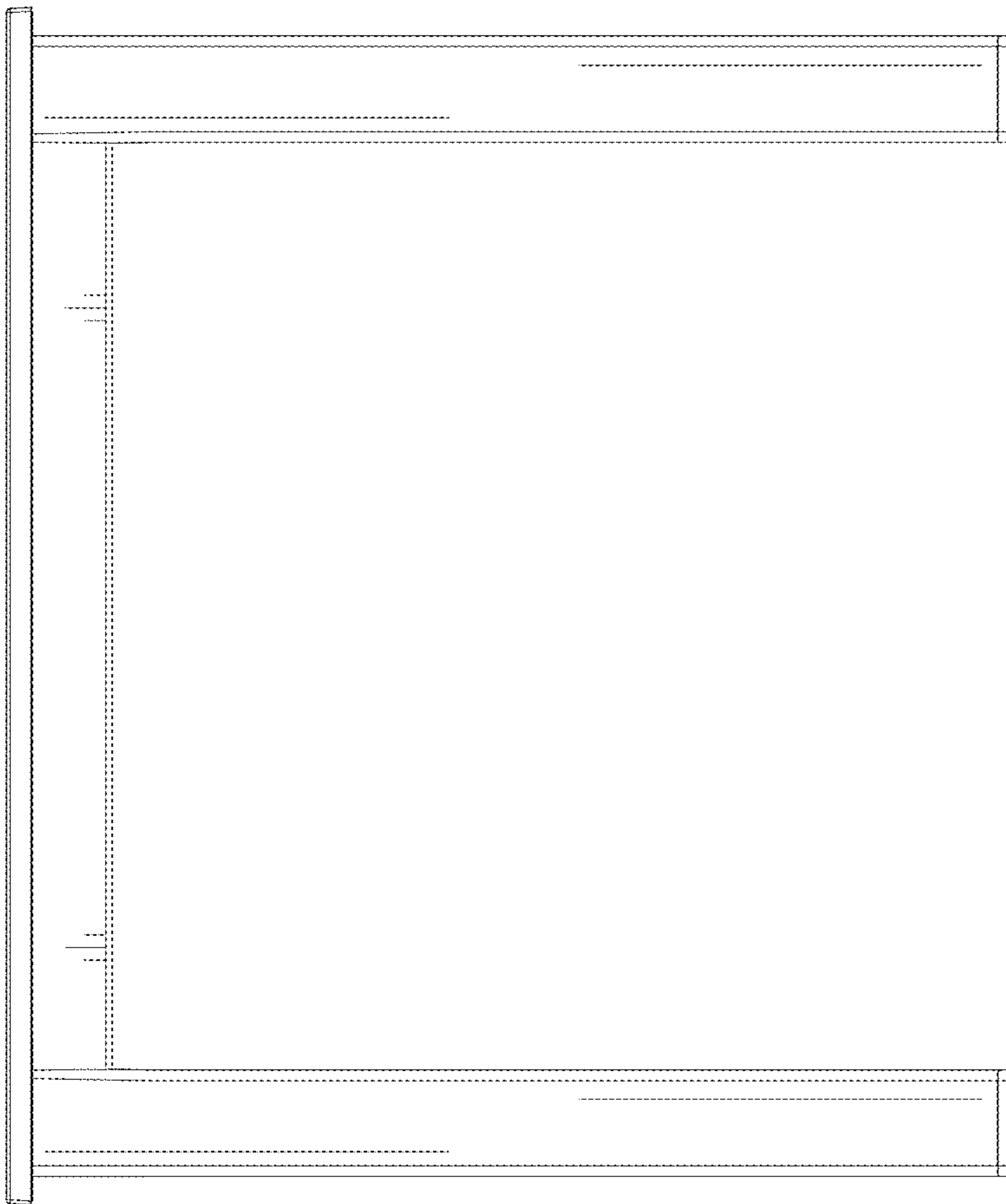


FIG. 10

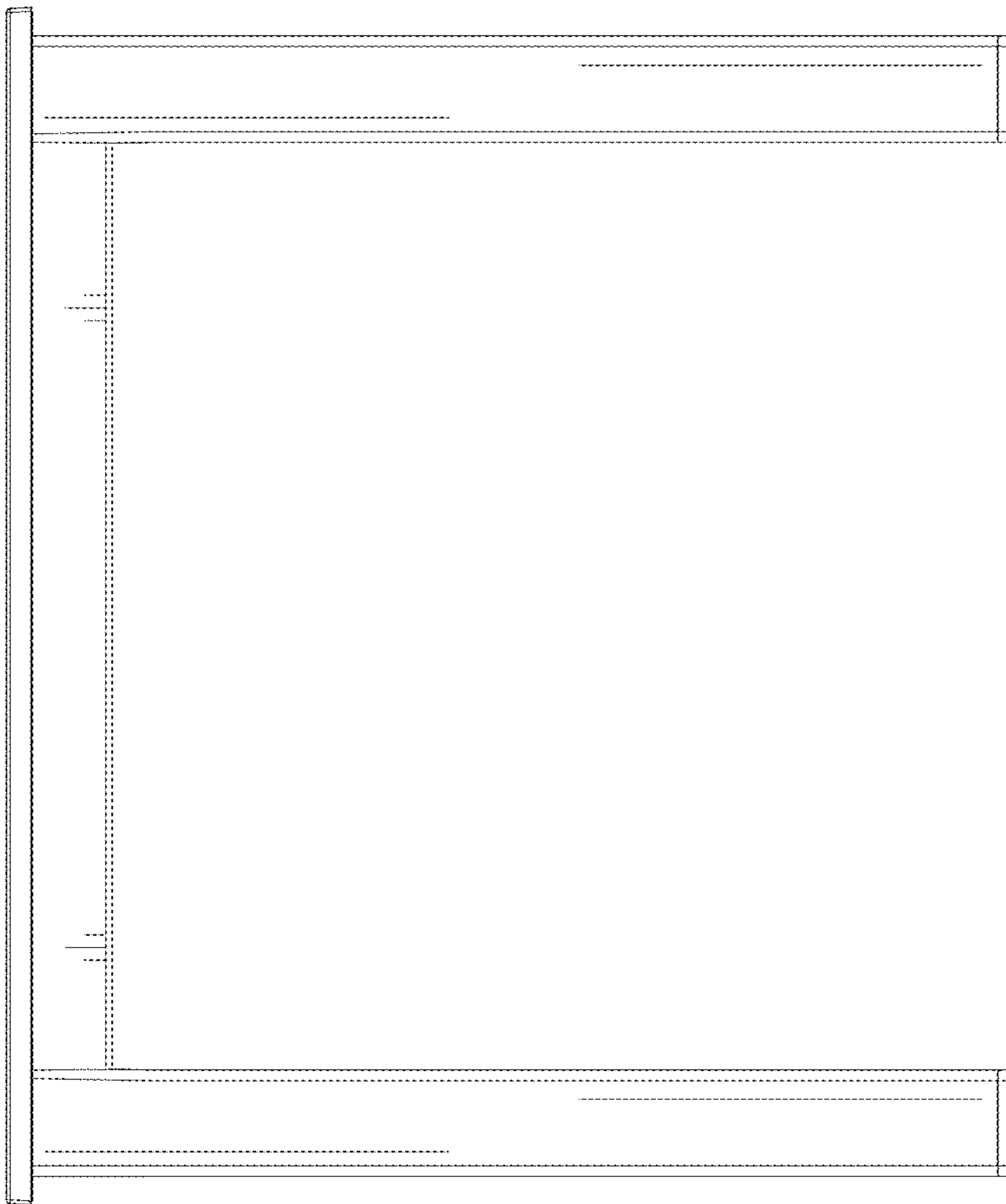


FIG. 11

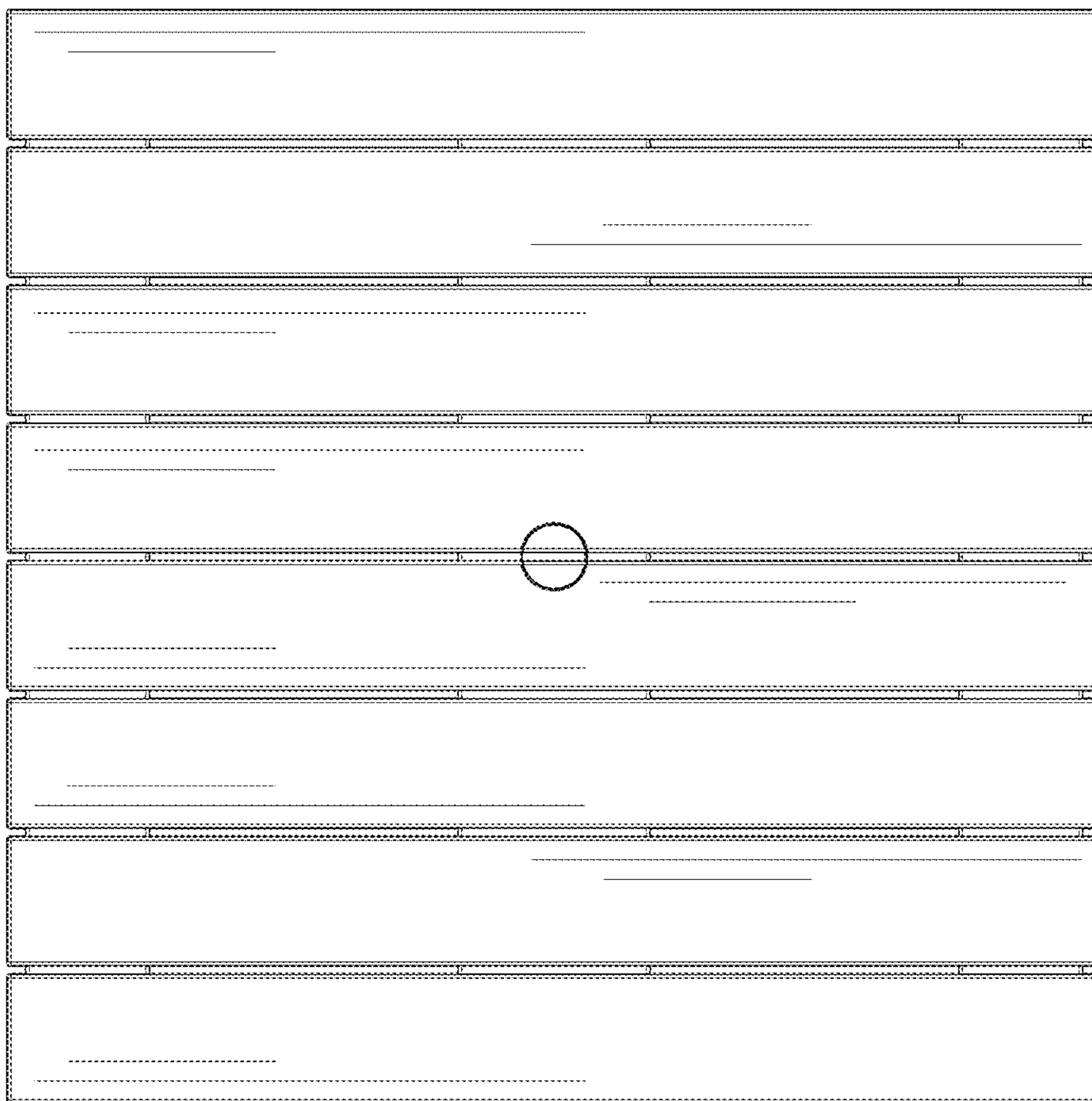


FIG. 12