



US00D933401S

(12) **United States Design Patent**
Polidoros et al.

(10) **Patent No.:** **US D933,401 S**
(45) **Date of Patent:** **** Oct. 19, 2021**

(54) **FOLDING TABLE**

(71) Applicant: **IHS Global Design Pty Ltd,**
Melbourne (AU)

(72) Inventors: **Nicholas Polidoros, Mitcham (AU);**
Glenn Bevan, Melbourne (AU)

(73) Assignee: **IHS Global Design Pty Ltd**

(**) Term: **15 Years**

(21) Appl. No.: **29/682,511**

(22) Filed: **Mar. 6, 2019**

(30) **Foreign Application Priority Data**

Sep. 6, 2018 (AU) 201815359

(51) **LOC (13) Cl.** **06-03**

(52) **U.S. Cl.**
USPC **D6/656.1**

(58) **Field of Classification Search**
USPC D6/353, 647, 656.1, 656.16, 688.19, 689,
D6/690, 691, 691.1, 691.8, 713
CPC . A47B 3/0912; A47B 3/08; A47B 2220/0072;
A47B 31/04
See application file for complete search history.

(56) **References Cited**

U.S. PATENT DOCUMENTS

- D176,462 S * 12/1955 Keal D6/686
- 3,271,075 A * 9/1966 Good A47C 16/02
297/423.41
- D206,379 S * 12/1966 Good D6/353
- D227,329 S * 6/1973 Grossman D6/690
- D240,184 S * 6/1976 Neuschaefer D6/656.1
- 3,976,163 A * 8/1976 Watkinson A45C 9/00
182/20
- D264,644 S * 6/1982 Baker D6/353

- D270,217 S * 8/1983 Daventry D6/656.16
 - D273,252 S * 4/1984 Markson D6/353
 - D328,677 S * 8/1992 White D6/688.19
- (Continued)

OTHER PUBLICATIONS

“IHS—Conference & Banquet Series.” Found online Dec. 10, 2020 at www.slideshare.net. Page dated Feb. 16, 2015. Retrieved from URL: <https://www.slideshare.net/GopalSinghMehara/ihs-conference-banquet-series> (Year: 2015).*

(Continued)

Primary Examiner — Mary Ann Calabrese
Assistant Examiner — Katelin G Kloberg
(74) *Attorney, Agent, or Firm* — Saidman DesignLaw Group, LLC

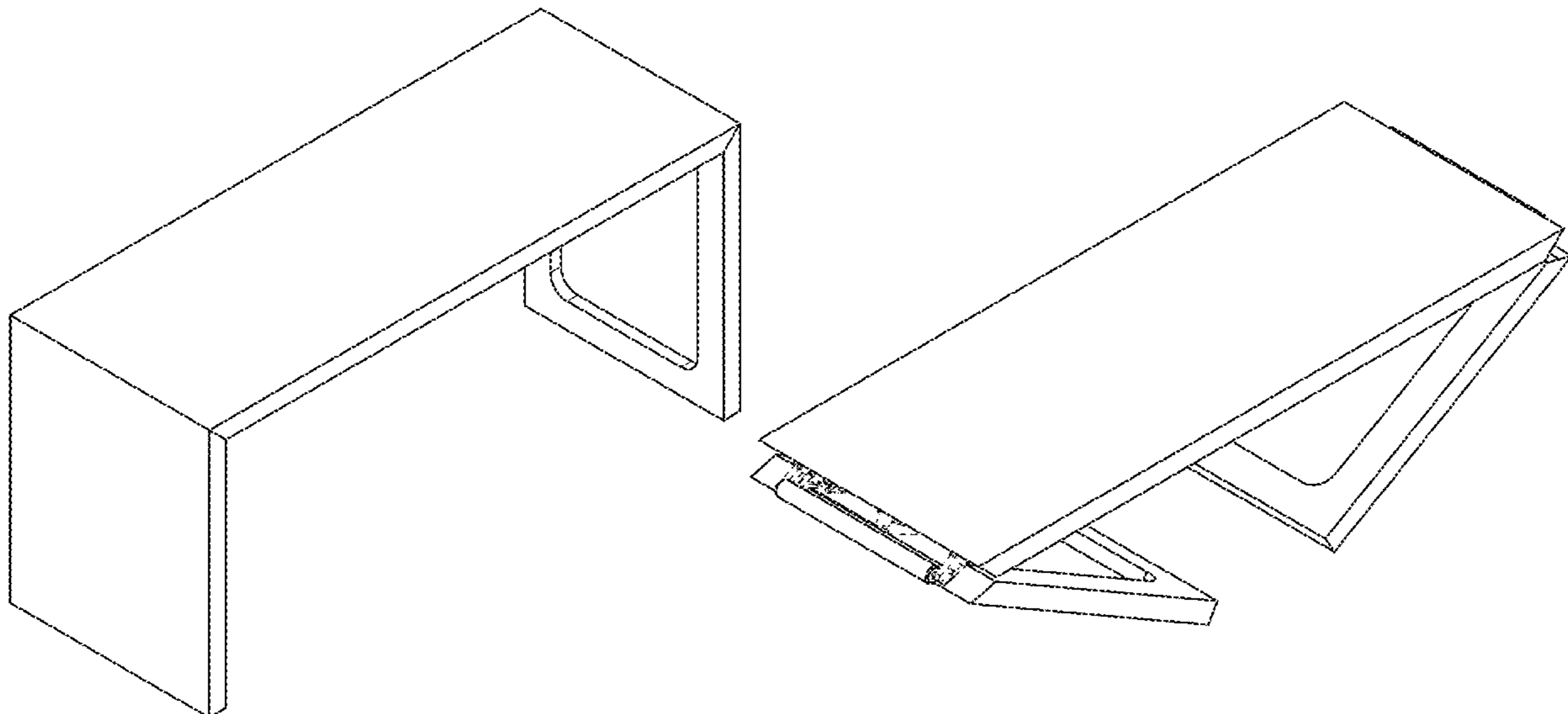
(57) **CLAIM**

The ornamental design for a folding table, as shown and described.

DESCRIPTION

FIG. 1 is a top perspective view of a folding table showing our new design;
FIG. 2 is a bottom perspective view thereof;
FIG. 3 is a top view thereof;
FIG. 4 is a front view thereof;
FIG. 5 is a bottom view thereof;
FIG. 6 is a left side view thereof;
FIG. 7 is a right side view thereof;
FIG. 8 is a top perspective view thereof shown in a partially folded position;
FIG. 9 is a bottom perspective view thereof;
FIG. 10 is a front view thereof;
FIG. 11 is a top perspective view thereof shown in a fully folded position;
FIG. 12 is a bottom perspective view thereof; and,
FIG. 13 is a front view thereof.
The broken lines depict portions of the folding table that form no part of the claimed design.

1 Claim, 4 Drawing Sheets



(56)

References Cited

U.S. PATENT DOCUMENTS

5,244,255 A * 9/1993 Mill A47C 16/02
 248/222.52
 D347,945 S * 6/1994 Walters-Leiter D6/353
 D356,911 S * 4/1995 Bubb D6/690
 D372,602 S * 8/1996 Richardson D6/691.8
 5,738,230 A * 4/1998 Goldstein A47B 43/00
 211/149
 D428,559 S * 7/2000 Danesi D6/647
 D466,337 S * 12/2002 Feng D6/689
 D653,880 S * 2/2012 Polidoros D6/713
 8,465,100 B2 * 6/2013 Kim A47C 16/025
 297/423.41
 D693,610 S * 11/2013 Denby D6/690
 D734,964 S * 7/2015 Ward D6/656.1
 D760,318 S * 6/2016 Petrocelli D20/10
 D781,086 S * 3/2017 Velez D6/691
 D787,845 S * 5/2017 Edwards D6/353
 D792,135 S * 7/2017 Wyman D6/691.1
 D810,482 S * 2/2018 Modlin D6/691

D823,013 S * 7/2018 Burden D6/349
 D833,181 S * 11/2018 Kundig D6/656.1
 D871,782 S * 1/2020 Simone D6/332
 2020/0077784 A1 * 3/2020 Polidoros A47B 3/08
 2020/0077789 A1 * 3/2020 Polidoros A47B 31/04

OTHER PUBLICATIONS

“Rollaway Mobile Table System.” Found online Dec. 10, 2020 at www.ihsglobalalliance.com. Page archived Feb. 17, 2015. Retrieved from URL: <https://web.archive.org/web/20150217040744/http://ihsglobalalliance.com/em/rollaway> (Year: 2015).*

“Phillips Collection Waterfall End Table.” Found online Dec. 10, 2020 at www.perigold.com. Product reviewed Nov. 24, 2019. Retrieved from URL: <https://www.perigold.com/furniture/pdp/phillips-collection-waterfall-end-table-tpc10388.html?piid=> (Year: 2019).*

“Wallpaper Covered Console Table.” Found online Dec. 10, 2020 at www.kristinlovesluxe.com. Page dated May 24, 2019. Retrieved from URL: <https://www.kristinlovesluxe.com/post/wall-paper-covered-console-table> (Year: 2019).*

* cited by examiner

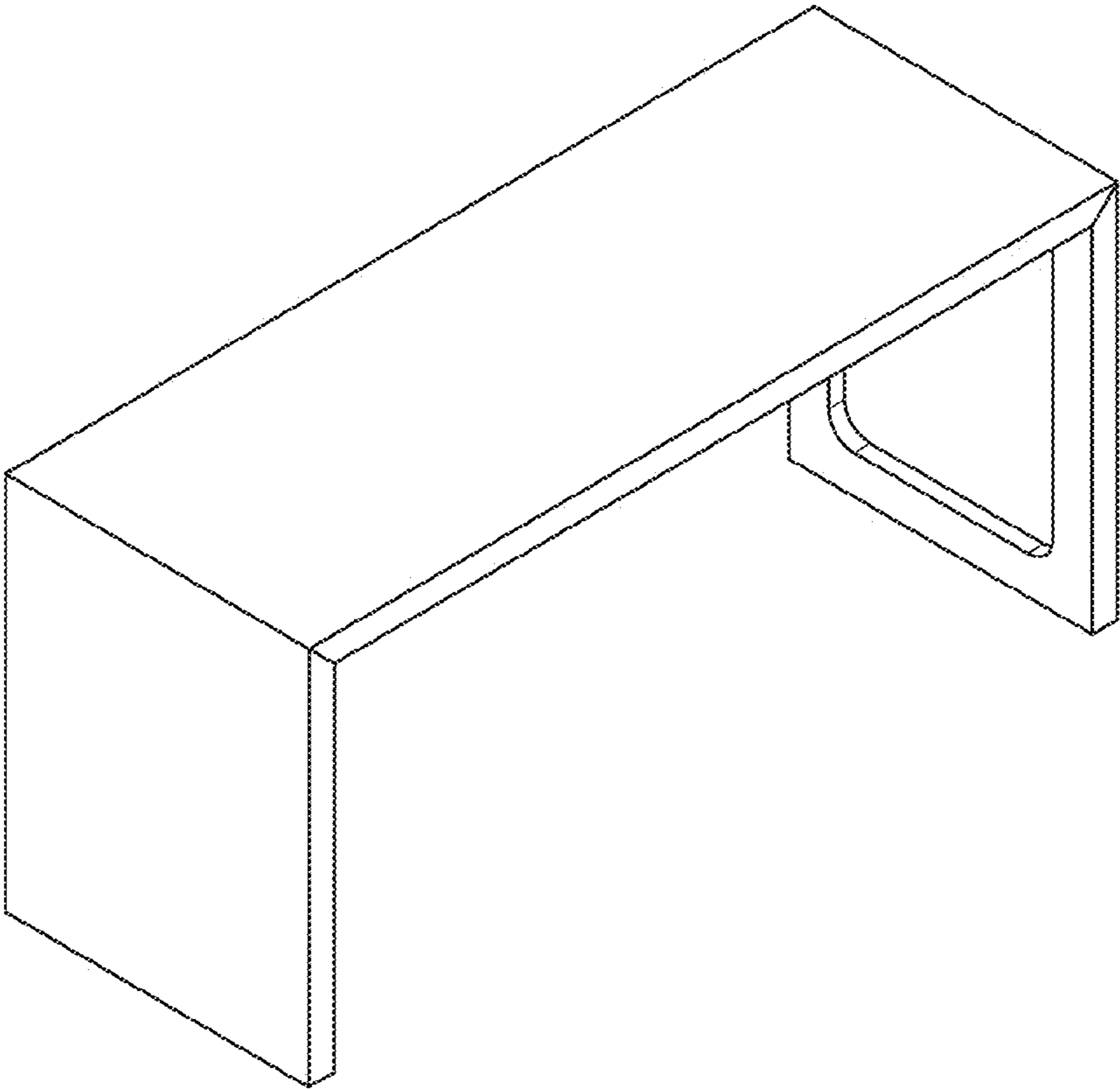


FIG. 1

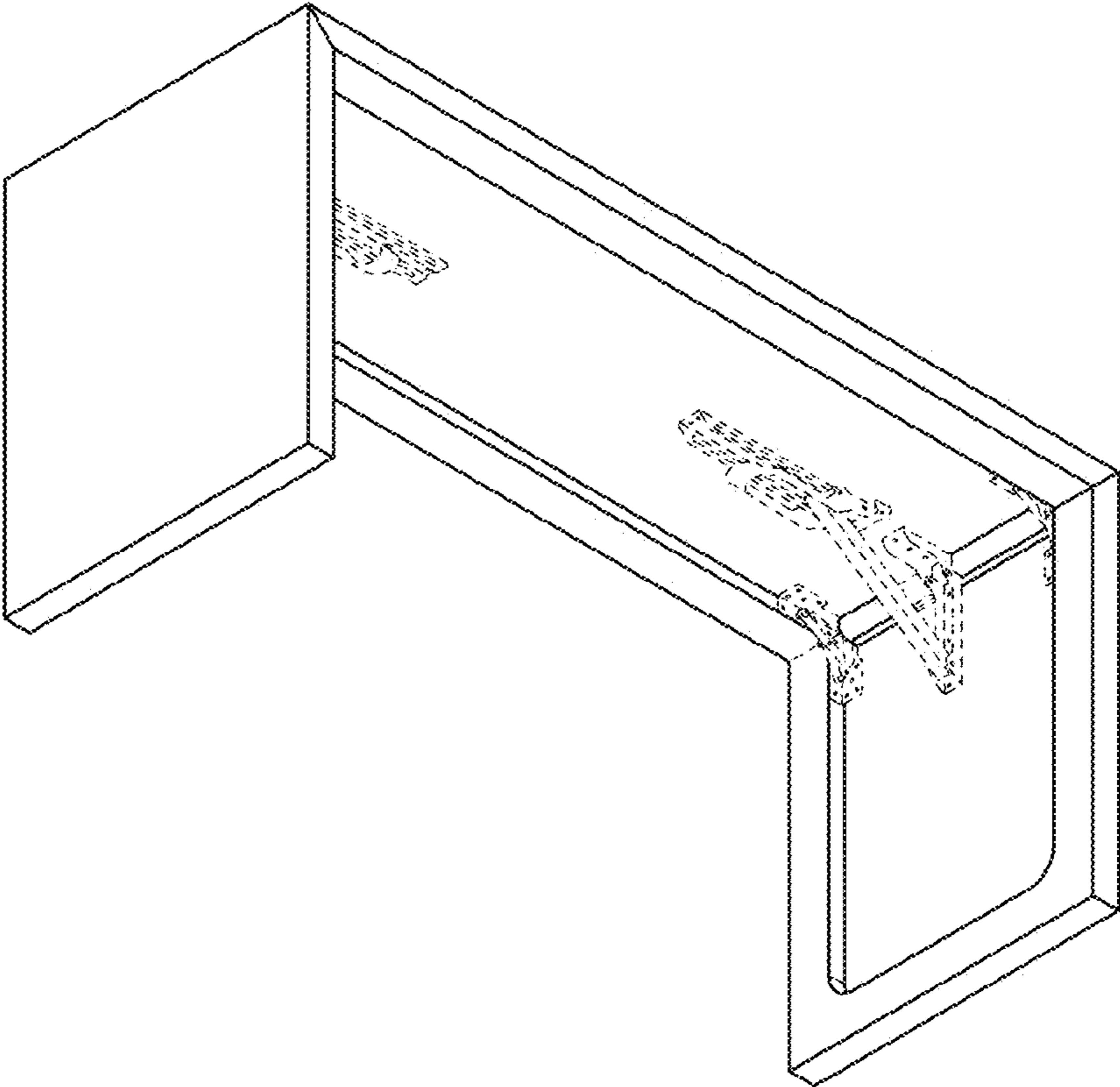


FIG. 2

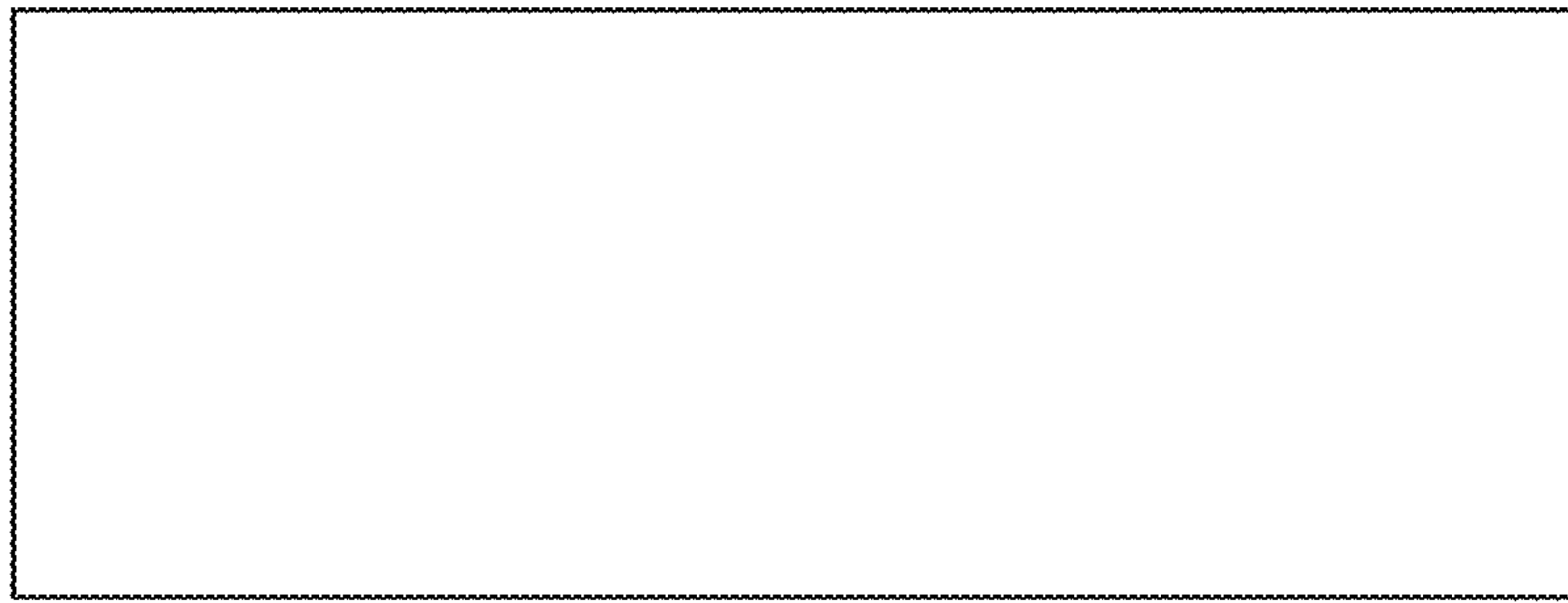


FIG. 3

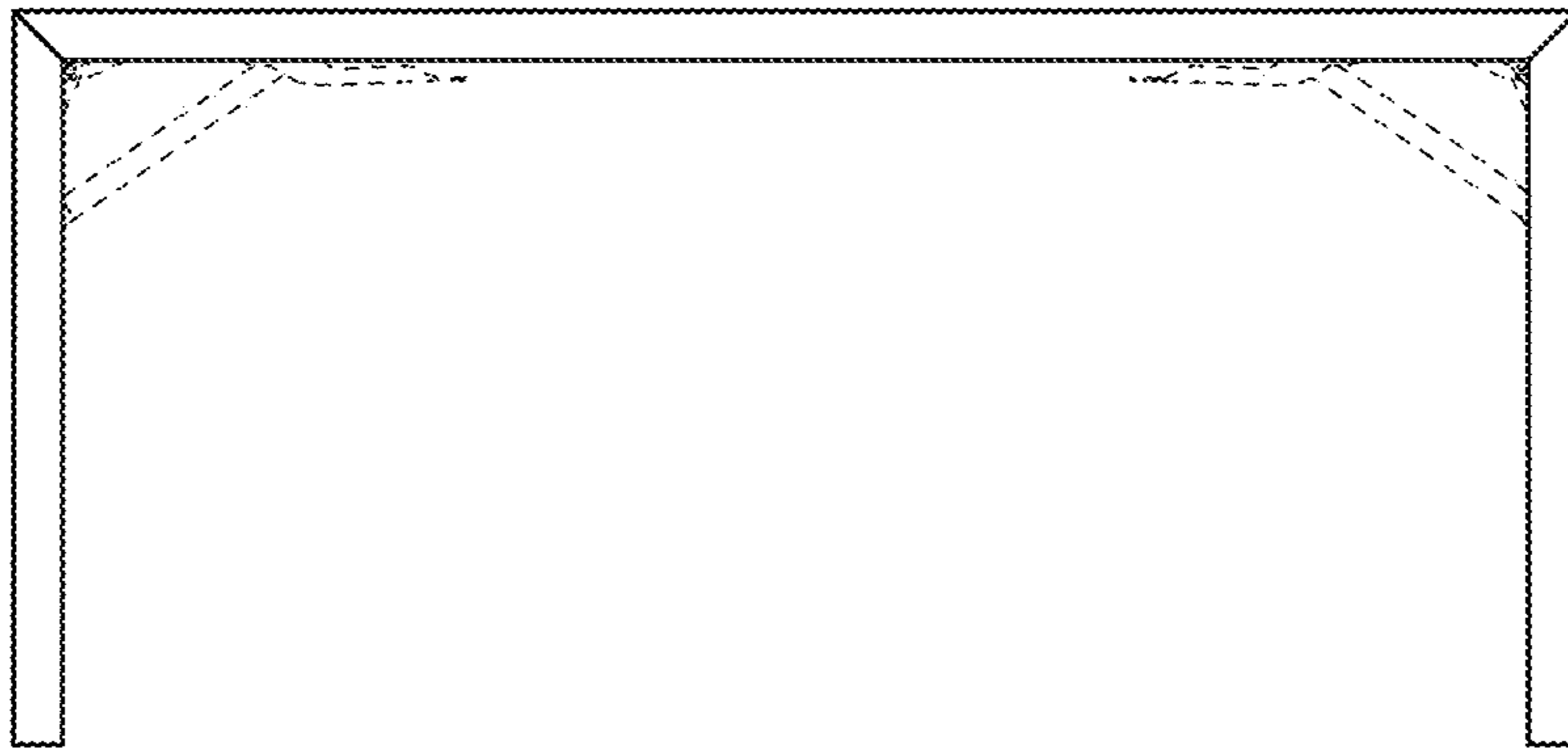


FIG. 4

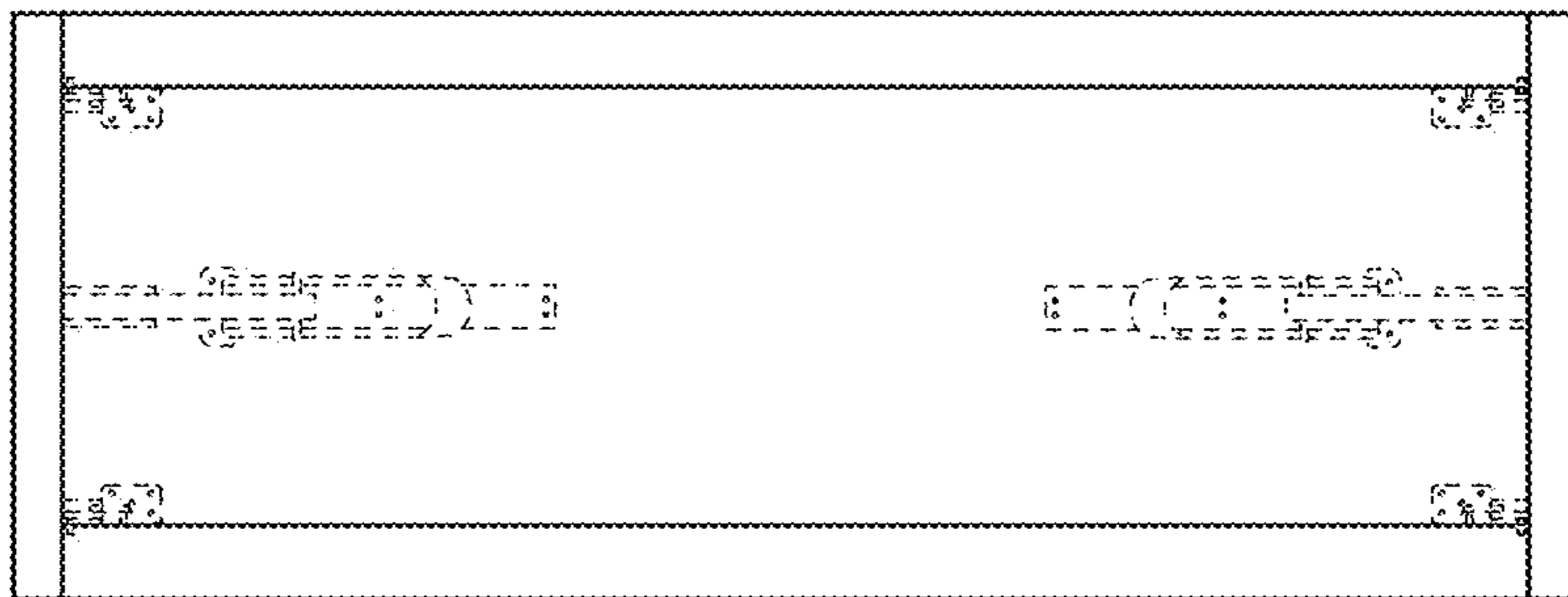


FIG. 5

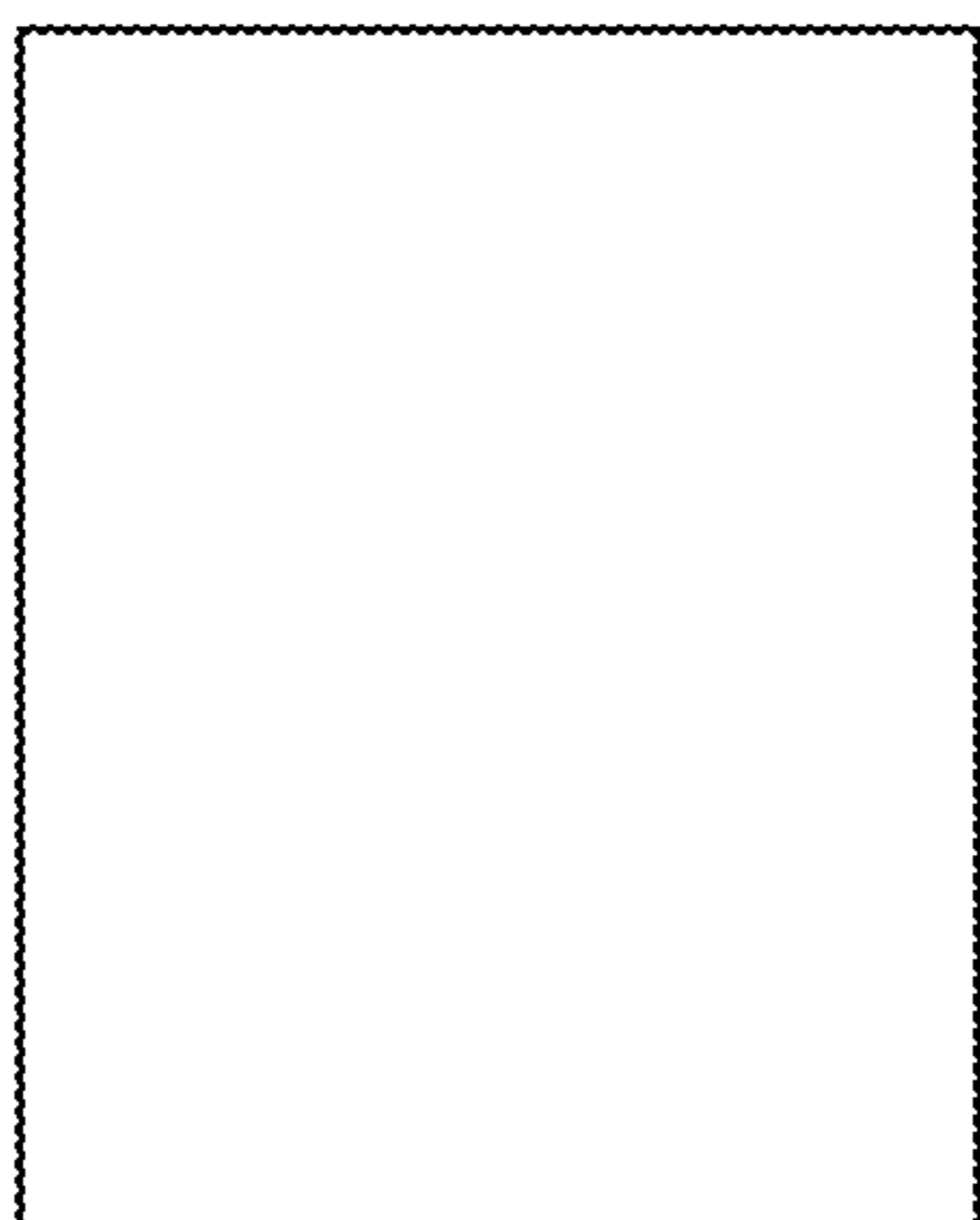


FIG. 6

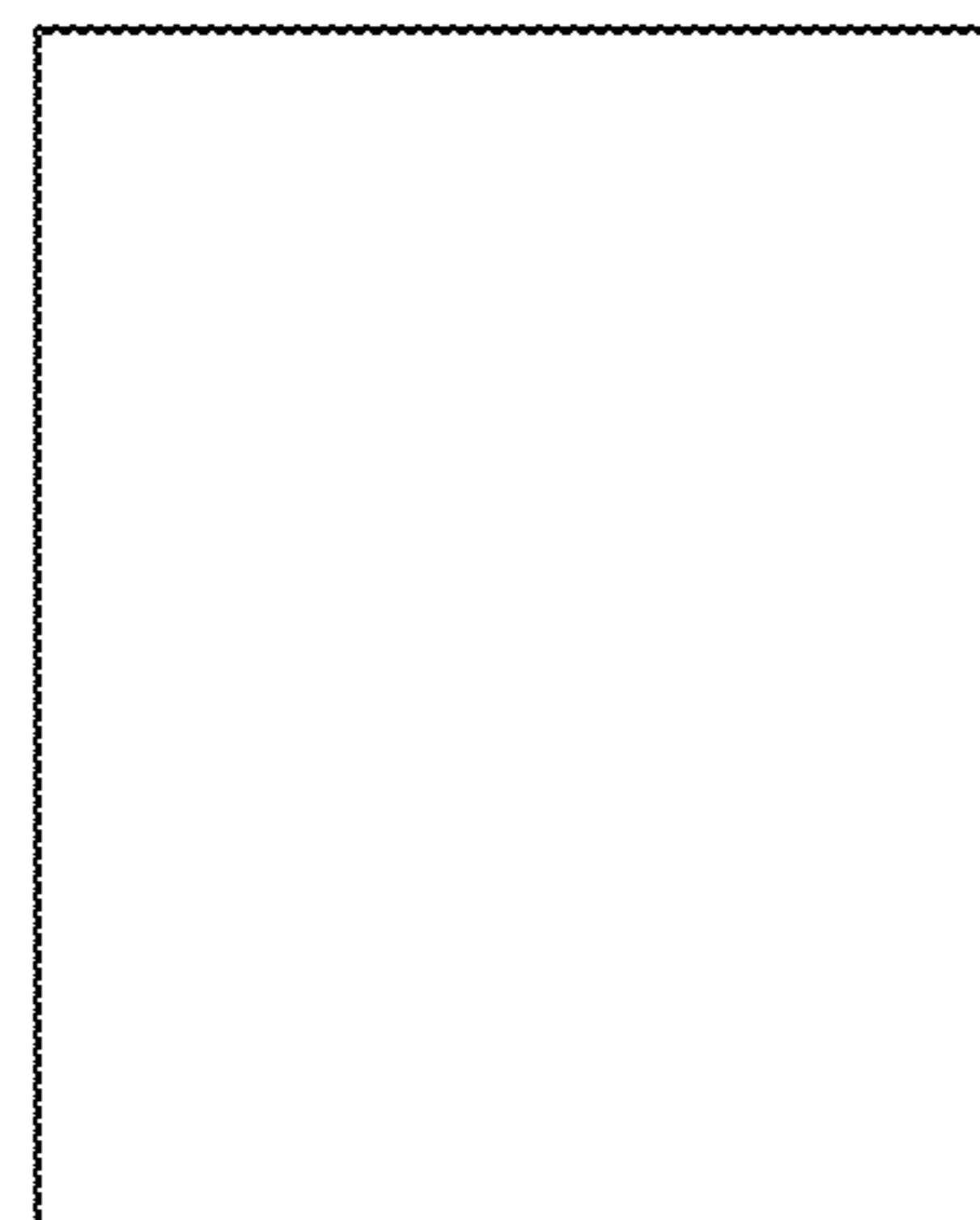


FIG. 7

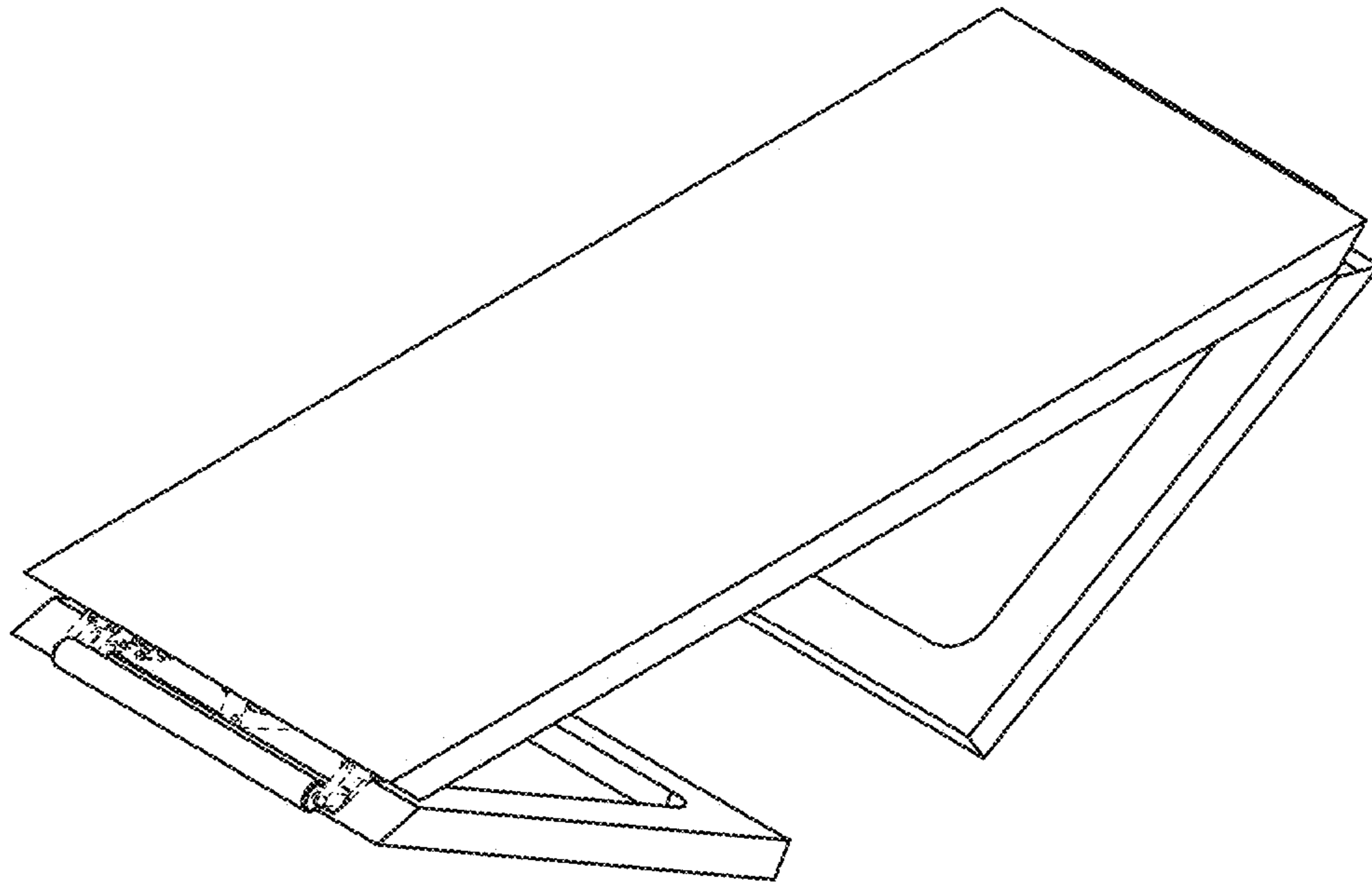


FIG. 8

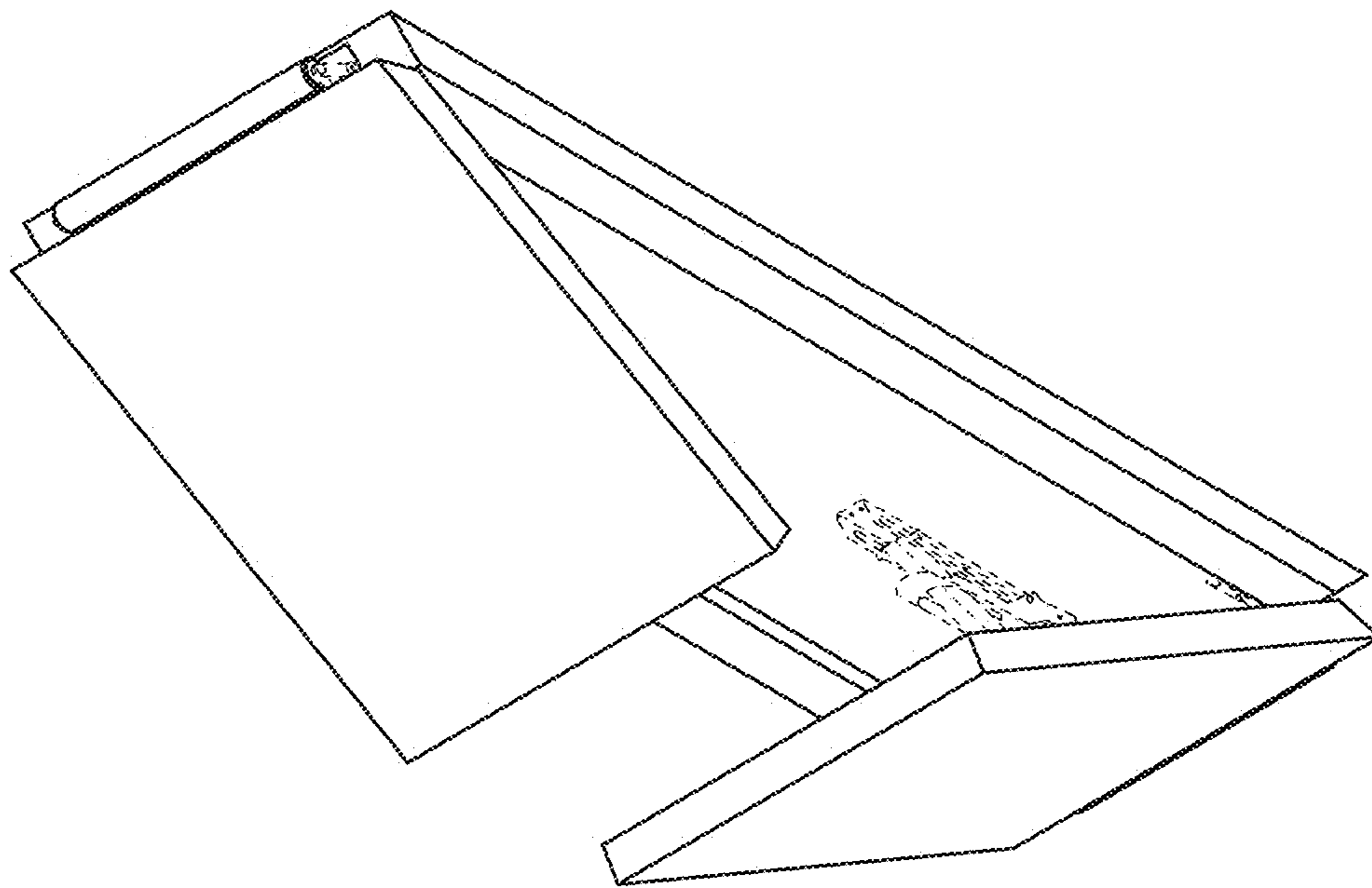


FIG. 9

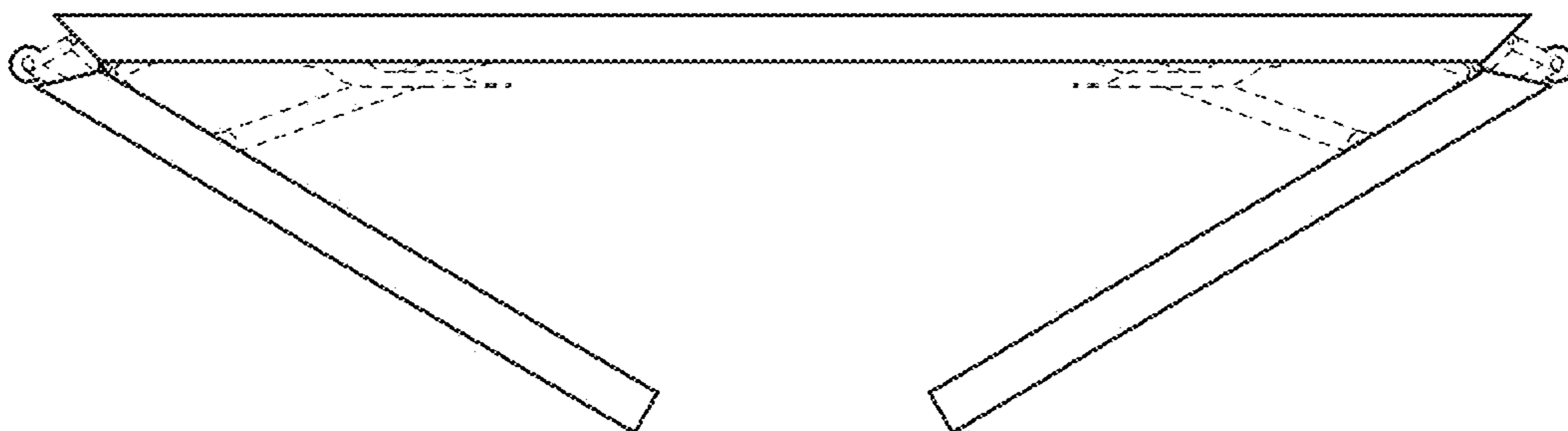


FIG. 10

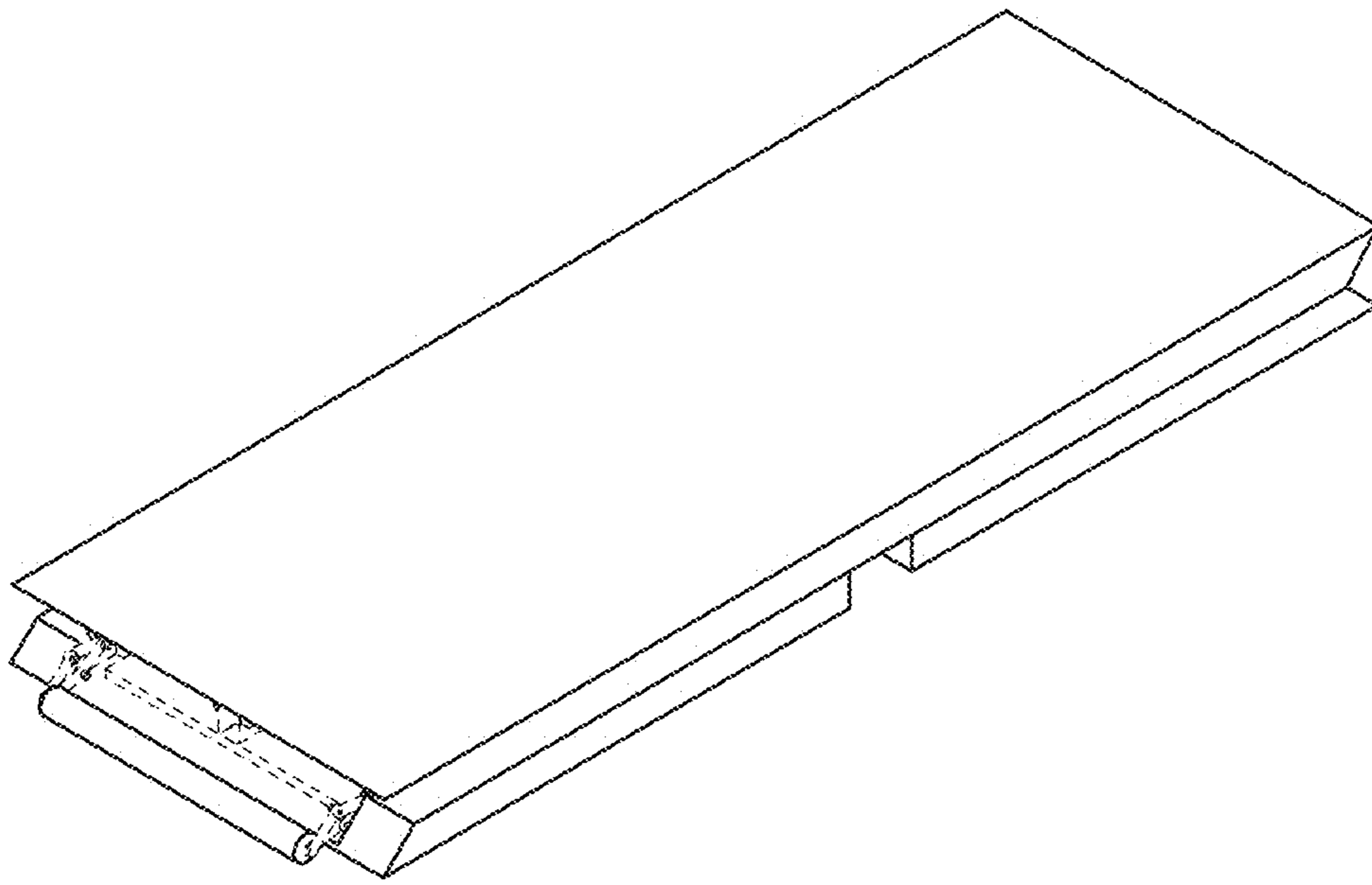


FIG. 11

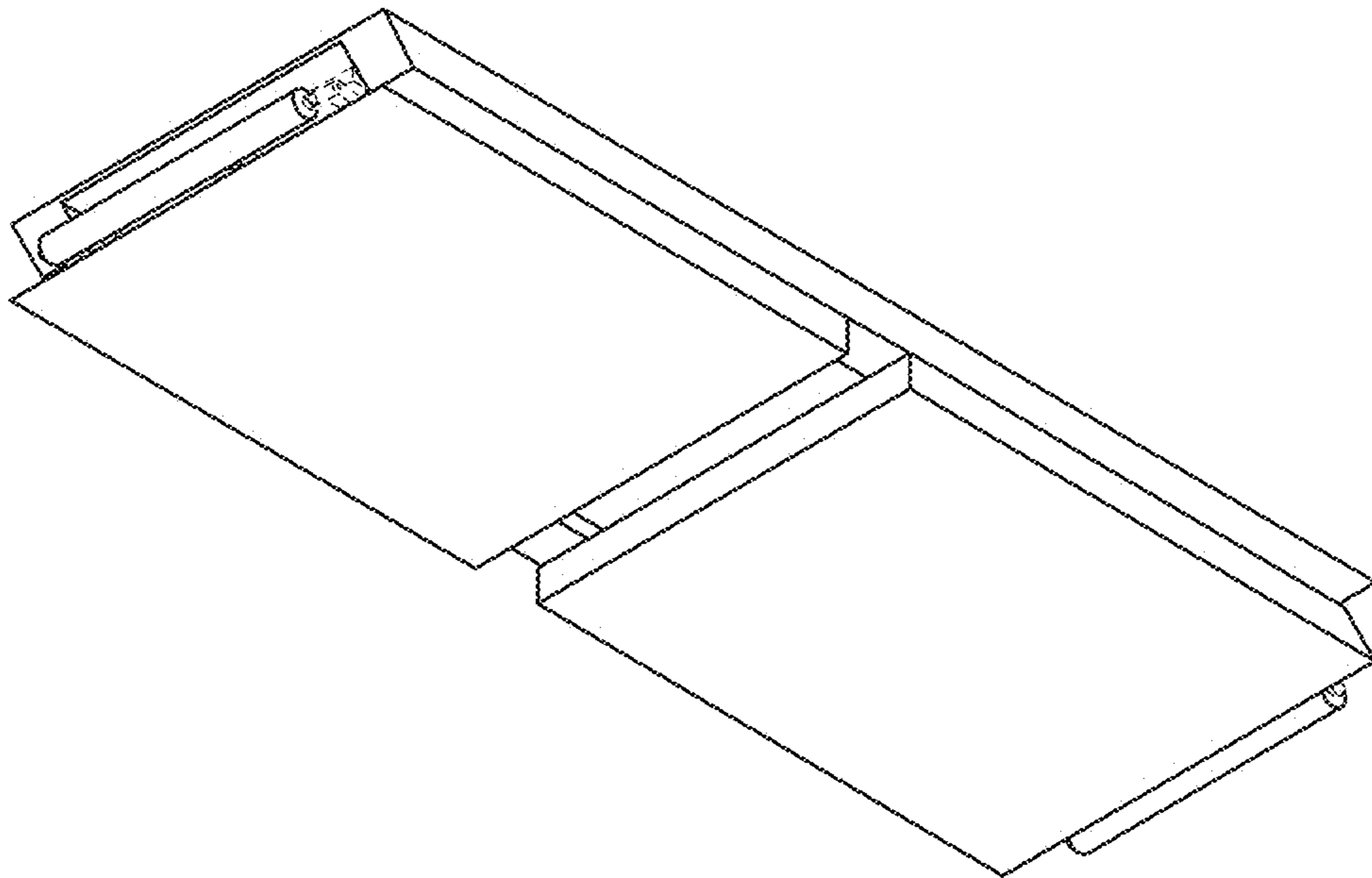


FIG. 12



FIG. 13