

US00D933400S

(12) **United States Design Patent**
Wang et al.

(10) **Patent No.:** **US D933,400 S**
(45) **Date of Patent:** **** Oct. 19, 2021**

- (54) **LIFT TABLE**
- (71) Applicant: **Hangzhou Yue Fu Si Supply Chain Management Co., Ltd, Zhejiang (CN)**
- (72) Inventors: **Shiming Wang, Zhejiang (CN); Lingyi Sun, Zhejiang (CN)**
- (73) Assignee: **Hangzhou Yue Fu Si Supply Chain Management Co., Ltd, Zhejiang (CN)**

- D371,029 S * 6/1996 Pagett D6/707.22
- D401,776 S * 12/1998 Weng D6/648.4
- D405,623 S * 2/1999 Zaidman D6/648
- D424,322 S * 5/2000 Kocer D6/648
- D434,585 S * 12/2000 Neff D6/707.22
- 6,193,338 B1 * 2/2001 Kocer A47B 13/10
312/194
- D471,376 S * 3/2003 Cizmar D6/648.2
- D471,733 S * 3/2003 Cizmar D6/648.2

(Continued)

(**) Term: **15 Years**

(21) Appl. No.: **29/749,886**

(22) Filed: **Sep. 9, 2020**

(51) **LOC (13) Cl.** **06-03**

(52) **U.S. Cl.**
USPC **D6/648**

(58) **Field of Classification Search**
USPC D6/644, 648, 648.1-648.4, 684, 707.22
CPC ... A47B 9/20; A47B 21/02; A47B 2200/0056;
A47B 2200/0062; A47B 2200/0054;
A47B 2021/066; A47B 2200/0029; A47B
2200/0051; A47B 2200/0052; A47B
2200/0059; A47B 2200/006; A47B
2200/0061; A47B 9/00; A47B 13/10;
A47B 21/00; A47B 21/0314

See application file for complete search history.

(56) **References Cited**

U.S. PATENT DOCUMENTS

- 1,293,952 A * 2/1919 Shirley A47B 21/0314
312/208.1
- D220,802 S * 5/1971 Hedges D6/684
- D290,197 S * 6/1987 Hoffman D6/648
- D320,709 S * 10/1991 Lotsch D6/648
- D346,913 S * 5/1994 Lechman D6/648.4
- D353,959 S * 1/1995 Kovacevic D6/644
- D355,547 S * 2/1995 Liston D6/648.2

OTHER PUBLICATIONS

“Fezibo L-Shaped Electric Standing Desk.” Found online Mar. 11, 2021 at www.amazon.com. Product first available Jun. 13, 2020. Retrieved from URL: <https://www.amazon.com/dp/B08B4N5JX9?tag=ftb-seller-20> (Year: 2020).*

(Continued)

Primary Examiner — Mary Ann Calabrese
Assistant Examiner — Katelin G Kloberg
(74) *Attorney, Agent, or Firm* — ScienBiziP, P.C.

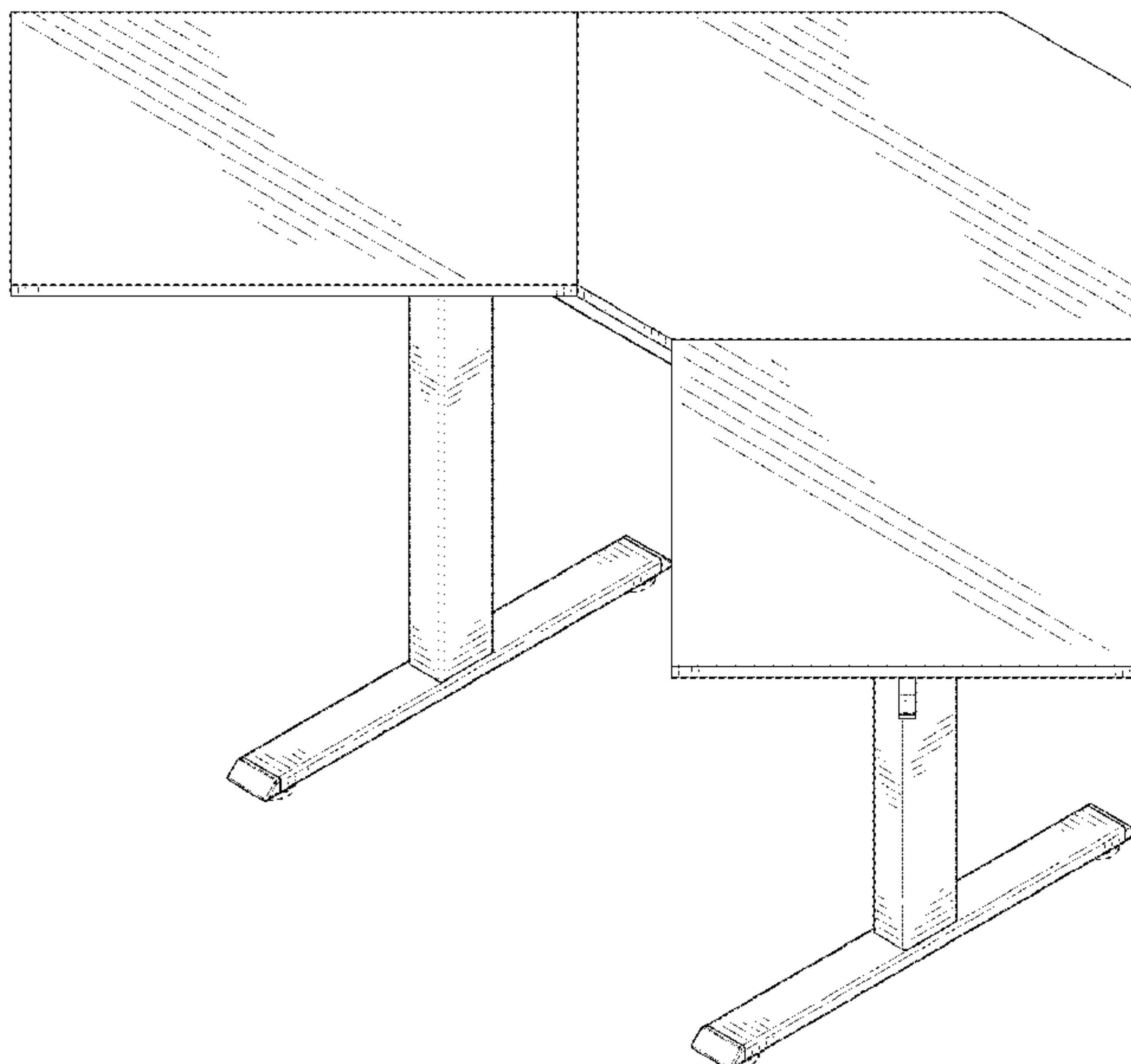
(57) **CLAIM**

The ornamental design for a lift table, as shown and described.

DESCRIPTION

FIG. 1 is a top, front, right side perspective view of a lift table, showing our new design;
FIG. 2 is a bottom, rear, right side perspective view thereof;
FIG. 3 is a front elevation view thereof;
FIG. 4 is a rear elevation view thereof;
FIG. 5 is a left side elevation view thereof;
FIG. 6 is a right side elevation view thereof;
FIG. 7 is a top plan view thereof; and,
FIG. 8 is a bottom plan view thereof.
The broken lines depict environmental subject matter that forms no part of the claimed design.

1 Claim, 8 Drawing Sheets



(56)

References Cited

U.S. PATENT DOCUMENTS

6,622,643 B1 *	9/2003	Velde	A47B 13/10 108/64
D788,496 S *	6/2017	Yamamoto	D6/648
D788,497 S *	6/2017	Yamamoto	D6/648
D812,947 S	3/2018	Tseng	
D829,023 S	9/2018	Gu	
D839,027 S *	1/2019	Yamamoto	D6/644
2006/0249060 A1 *	11/2006	Waisbrod	A47B 9/00 108/137

OTHER PUBLICATIONS

“Stand Up Desk Store.” Found online Mar. 11, 2021 at www.amazon.com. Product first available Dec. 11, 2018. Retrieved from URL: <https://tinyurl.com/4he3vfe4> (Year: 2018).*

“Ergosoft L Shaped Dual Motor Electric Height Adjustable Standing Desk.” Found online Mar. 11, 2021 at www.amazon.com. Product first available Feb. 13, 2021. Retrieved from URL: <https://tinyurl.com/y3jd8k38> (Year: 2021).*

“L-Shaped Standing Desk.” Found online Mar. 12, 2021 at www.amazon.com. Product first available Dec. 23, 2020. Retrieved from URL: <https://tinyurl.com/n4mj6fnr> (Year: 2020).*

“Vivo Electric Height Adjustable Corner Stand Up Desk.” Found online Mar. 12, 2021 at www.amazon.com. Product first available Feb. 1, 2021. Retrieved from URL: <https://tinyurl.com/66a6up4d> (Year: 2021).*

* cited by examiner

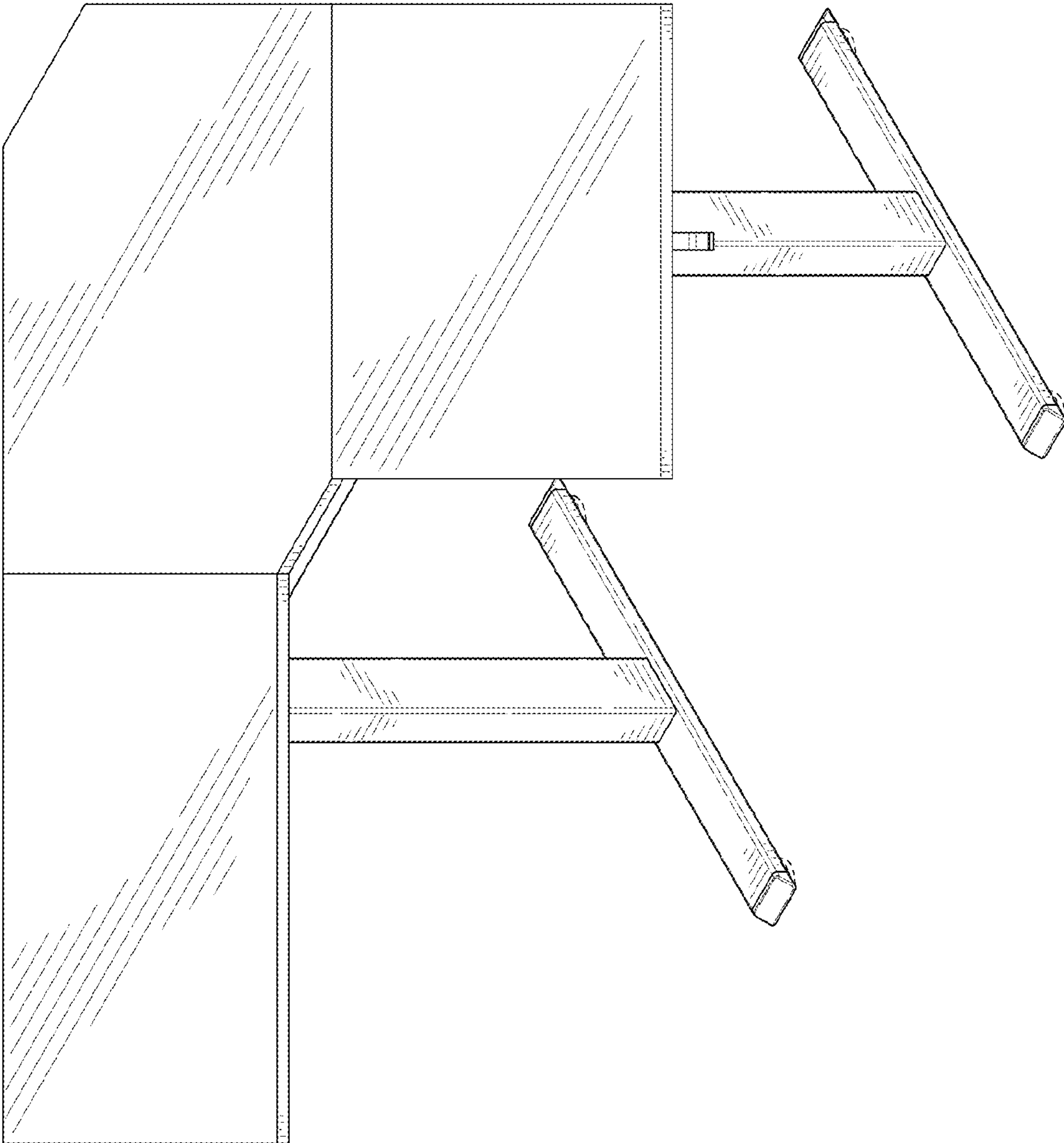


FIG. 1

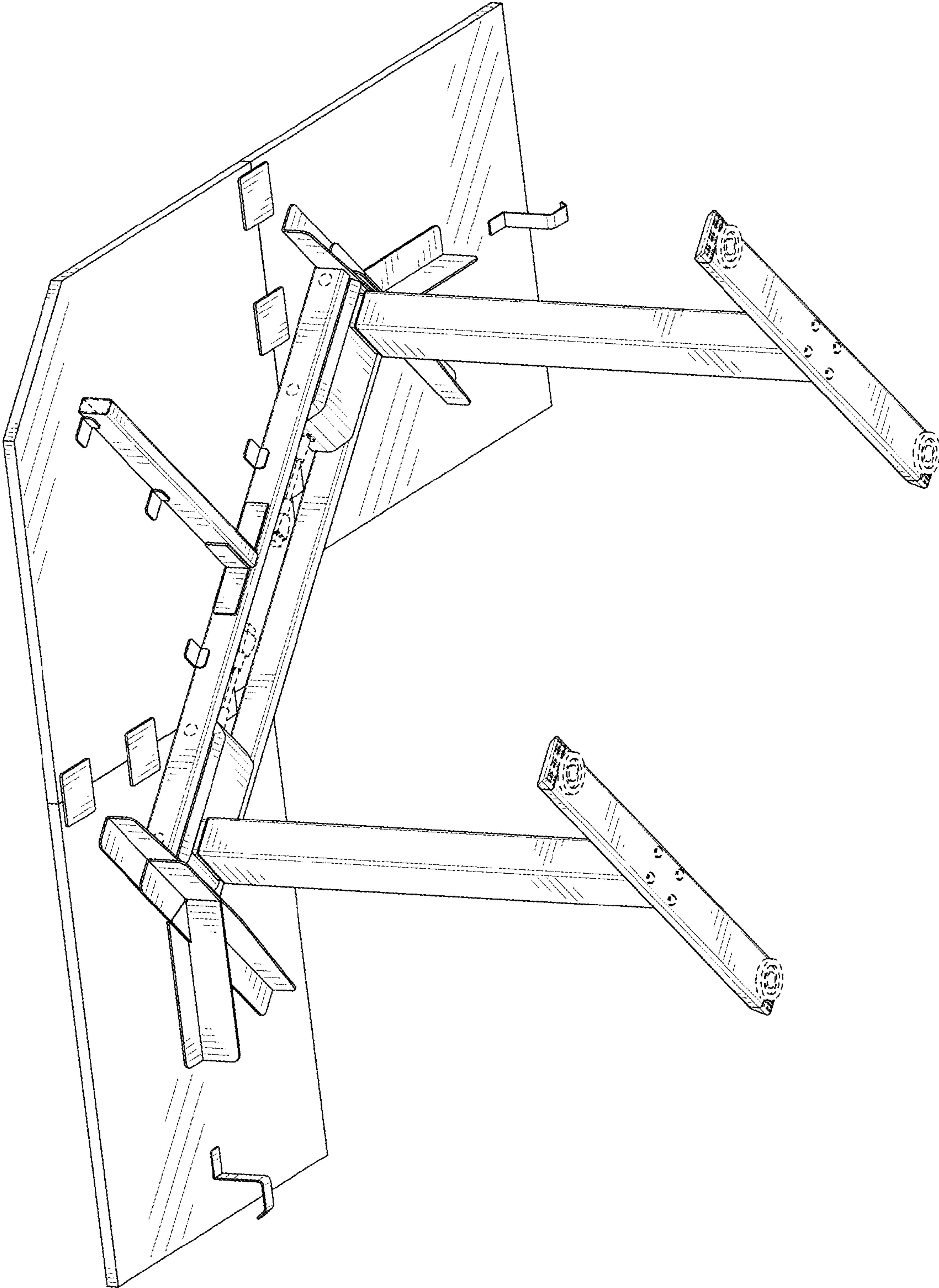


FIG. 2

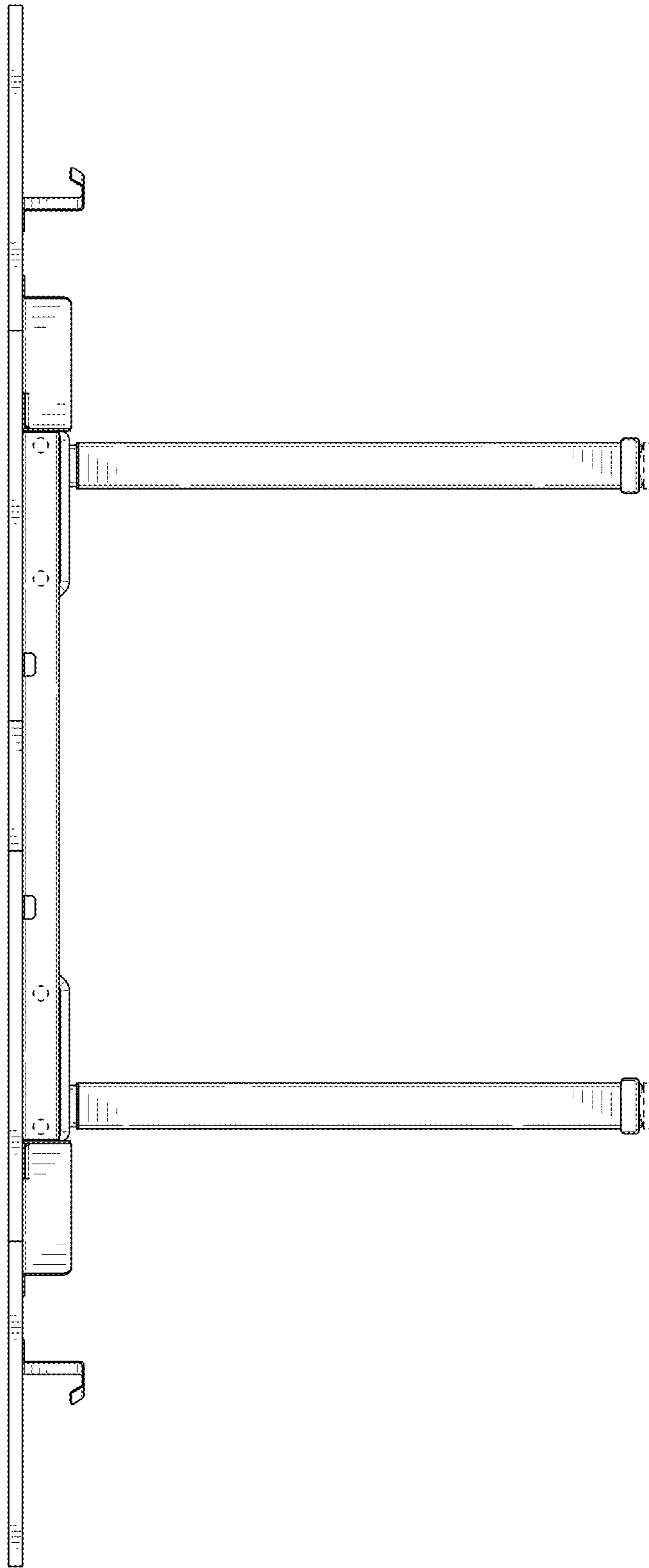


FIG. 3

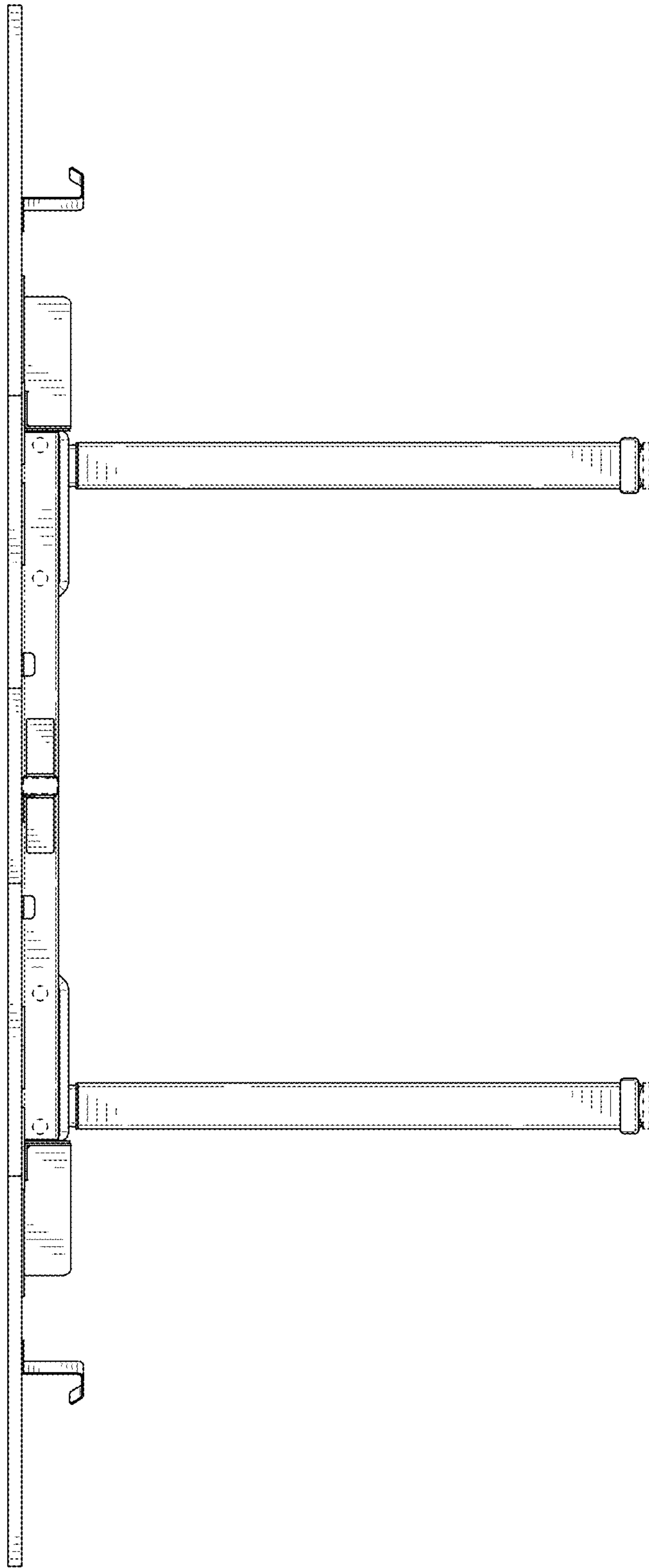


FIG. 4

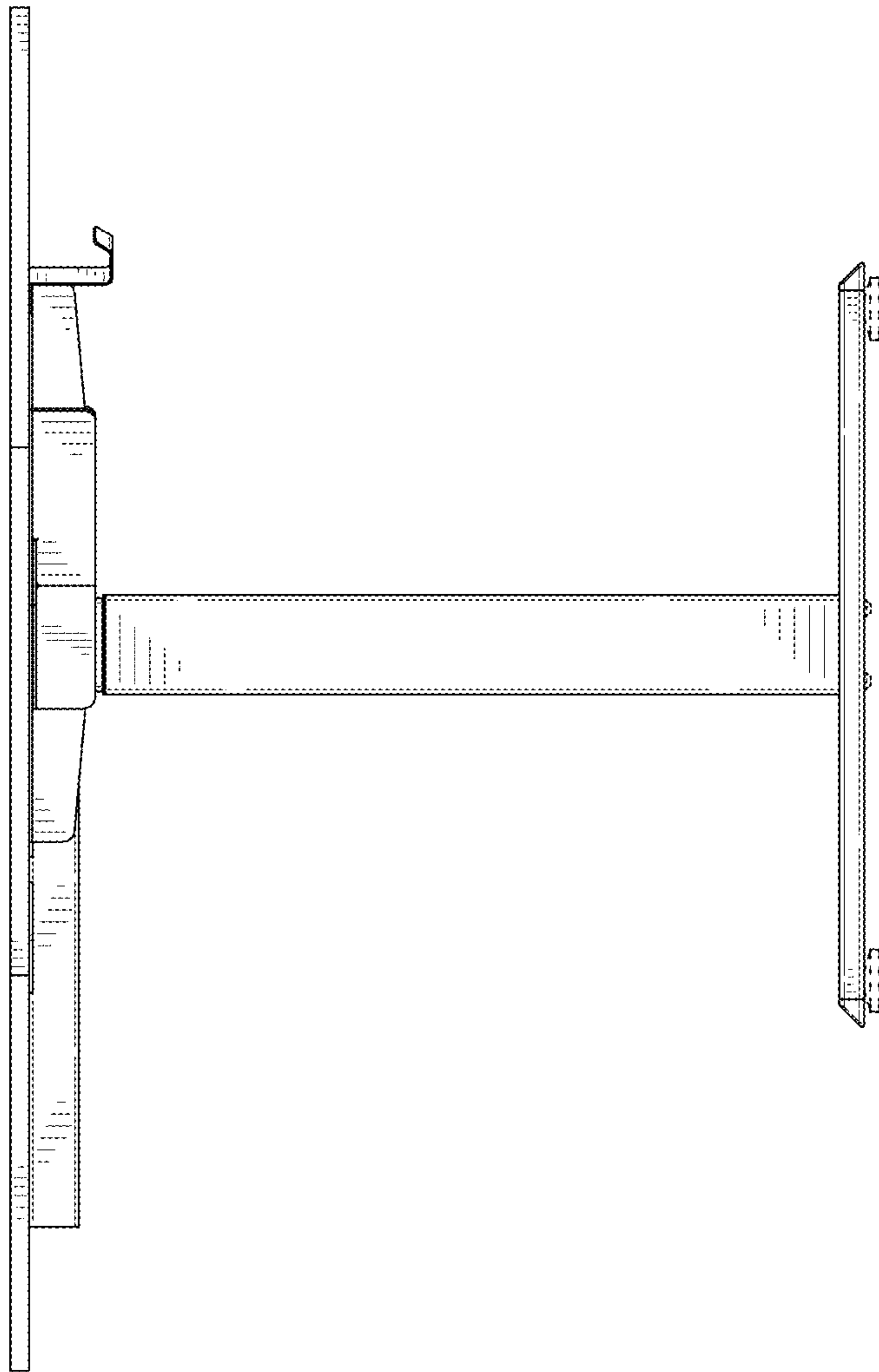


FIG. 5

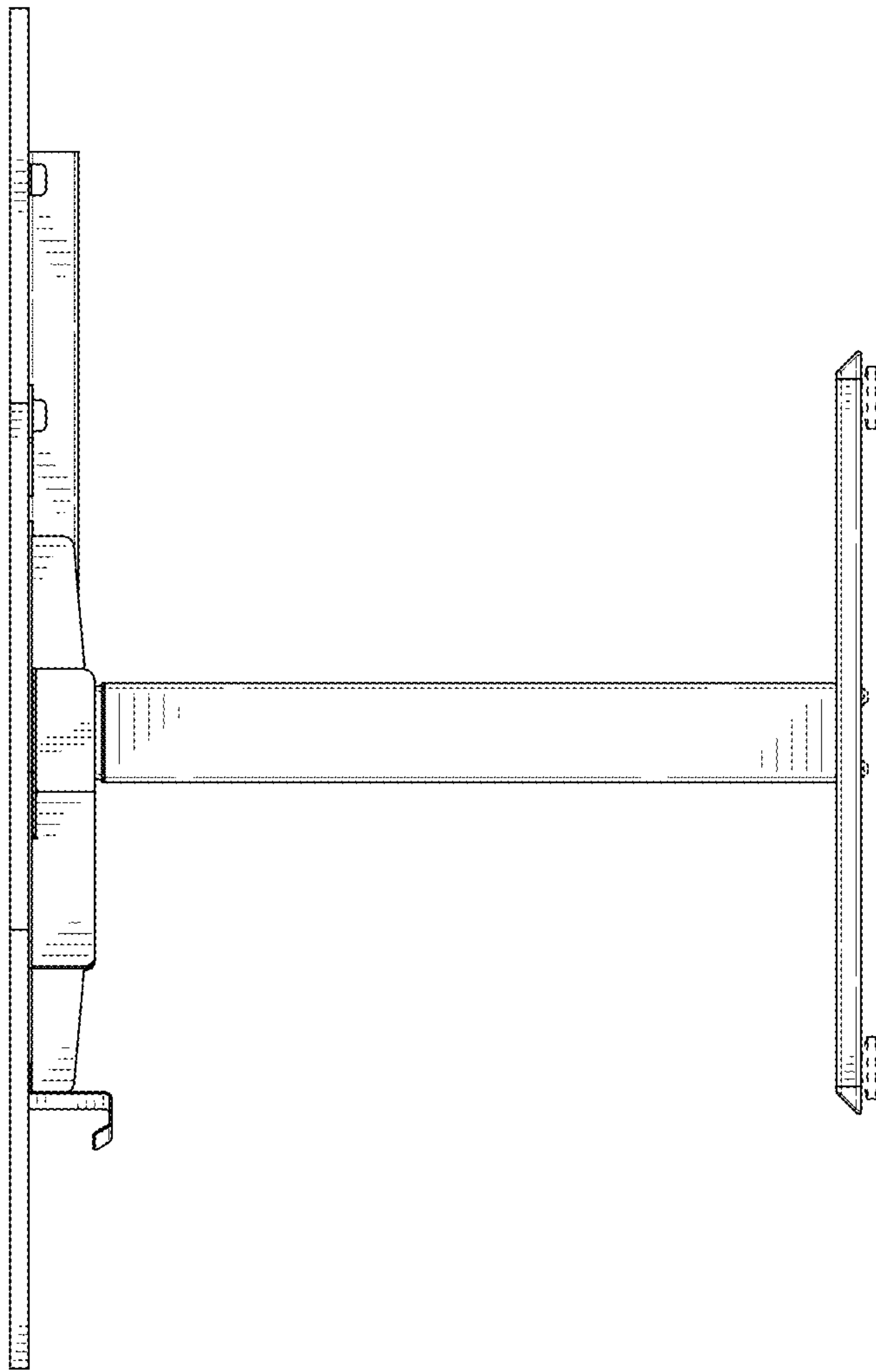


FIG. 6

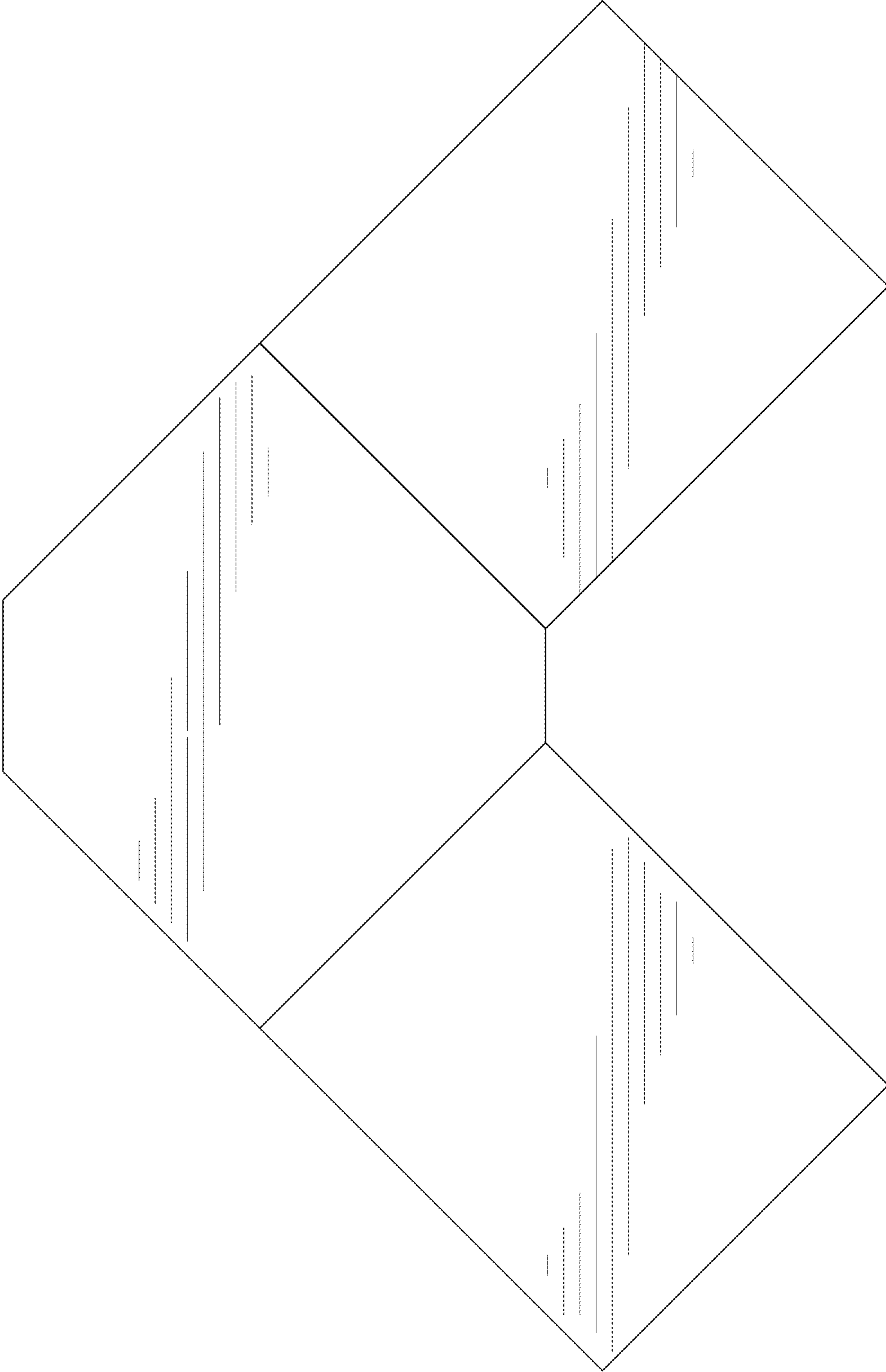


FIG. 7

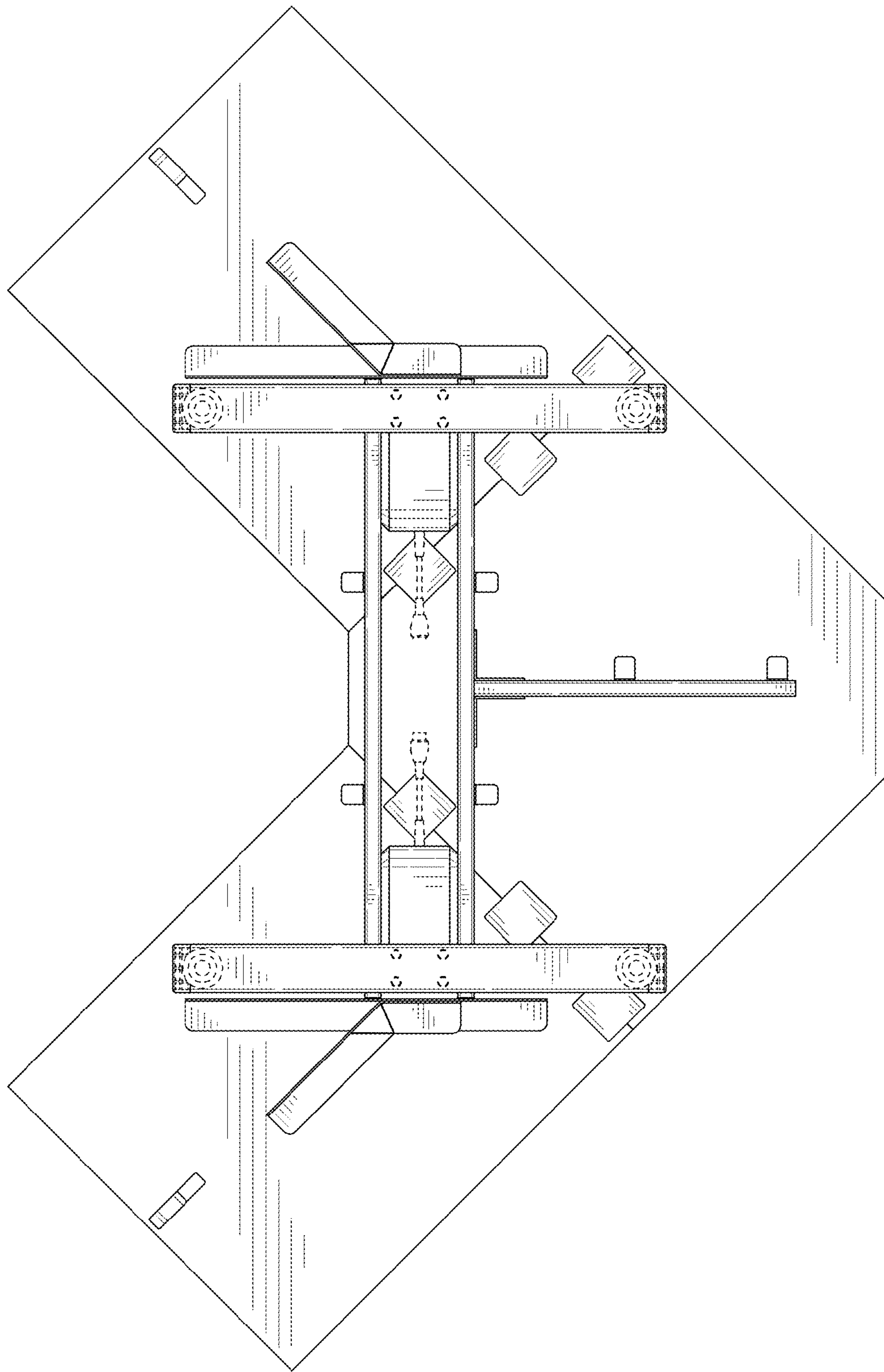


FIG. 8