



US00D933394S

(12) **United States Design Patent**
Chou

(10) **Patent No.:** **US D933,394 S**

(45) **Date of Patent:** **** Oct. 19, 2021**

(54) **ADJUSTMENT SEAT FOR CURTAIN
DECORATIVE BOARD**

(71) Applicant: **Tser Wen Chou**, Yorba Linda, CA (US)

(72) Inventor: **Tser Wen Chou**, Yorba Linda, CA (US)

(**) Term: **15 Years**

(21) Appl. No.: **29/672,255**

(22) Filed: **Dec. 4, 2018**

(51) **LOC (13) Cl.** **06-10**

(52) **U.S. Cl.**
USPC **D6/580**

(58) **Field of Classification Search**
USPC D6/575-577, 580-581; D13/155;
D26/138

CPC A47H 1/14; A47H 1/142; A47H 1/144;
A47H 11/04; E06B 9/323; E06B 9/388;
E06B 9/42; E06B 9/46; E06B 9/48

See application file for complete search history.

D791,580 S * 7/2017 Chou D8/354
9,814,157 B2 * 11/2017 Moran H05K 7/1491
D833,175 S * 11/2018 Miroshnichenko E06B 9/50
D6/580
D882,122 S * 4/2020 Fisher E06B 9/323
D25/119
D899,810 S * 10/2020 Chou H05K 7/1491
D6/580
2009/0205787 A1 * 8/2009 Allsopp E06B 9/266
160/84.01
2014/0190642 A1 * 7/2014 Chou E06B 9/50
160/323.1
2014/0251558 A1 * 9/2014 Chou E06B 9/50
160/323.1

* cited by examiner

Primary Examiner — Kevin K Rudzinski

Assistant Examiner — Clare Ann Gannon

(74) *Attorney, Agent, or Firm* — Guice Patents PLLC

(57) **CLAIM**

The ornamental design for an adjustment seat for curtain decorative board, as shown and described.

DESCRIPTION

FIG. 1 is a perspective view of an adjustment seat for curtain decorative board;

FIG. 2 is a front view thereof;

FIG. 3 is a rear view thereof;

FIG. 4 is a right side view thereof;

FIG. 5 is a left side view thereof;

FIG. 6 is a top view thereof; and,

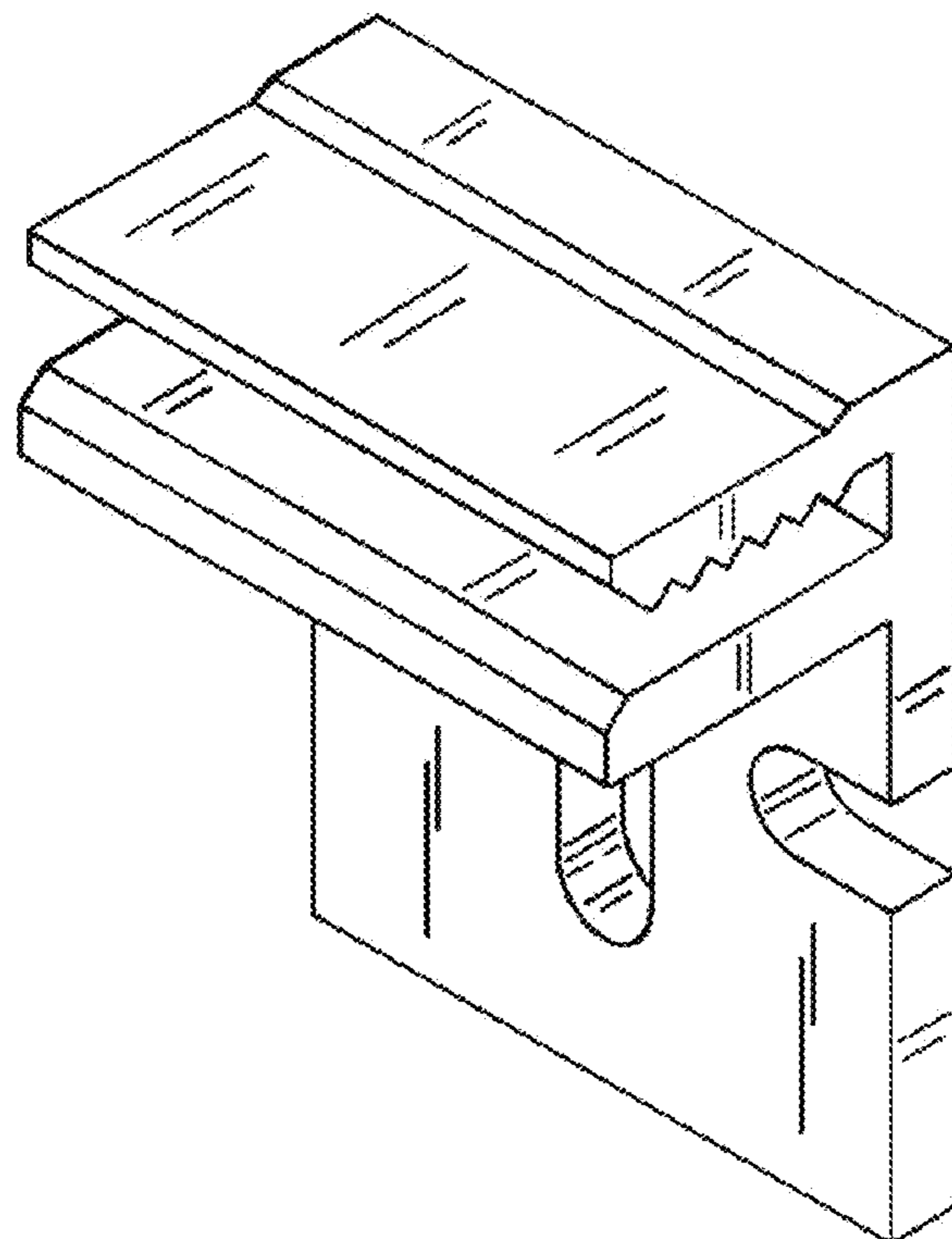
FIG. 7 is a bottom view thereof.

1 Claim, 4 Drawing Sheets

(56) **References Cited**

U.S. PATENT DOCUMENTS

4,114,233 A * 9/1978 Hamilton A47H 1/04
16/95 R
5,074,350 A * 12/1991 Carter E06B 9/323
160/178.1 R
5,505,418 A * 4/1996 Corcoran E06B 9/50
248/254
D482,223 S * 11/2003 Bibby D6/580
D737,671 S * 9/2015 Chou E06B 9/50
D8/376



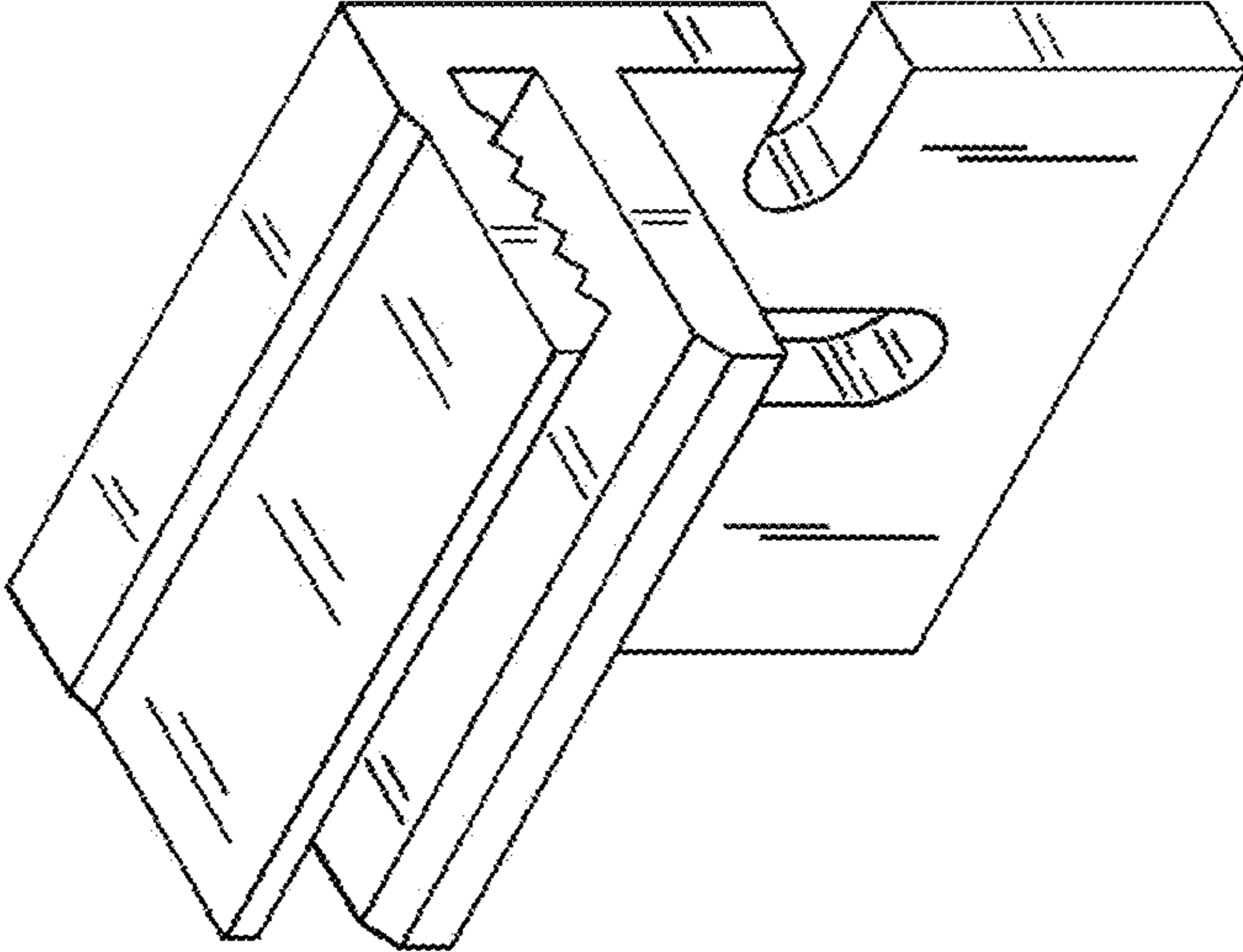


FIG. 1

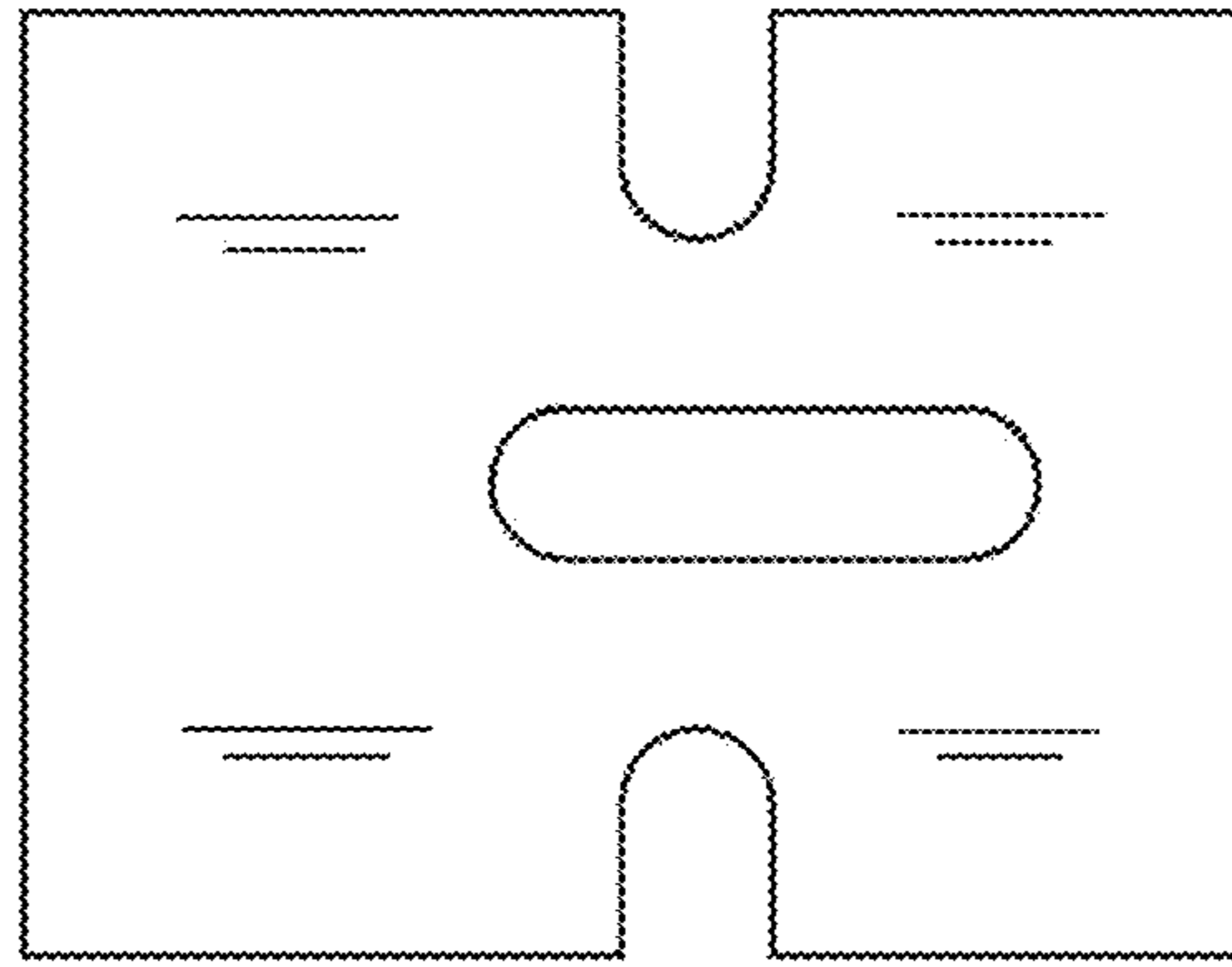


FIG. 3

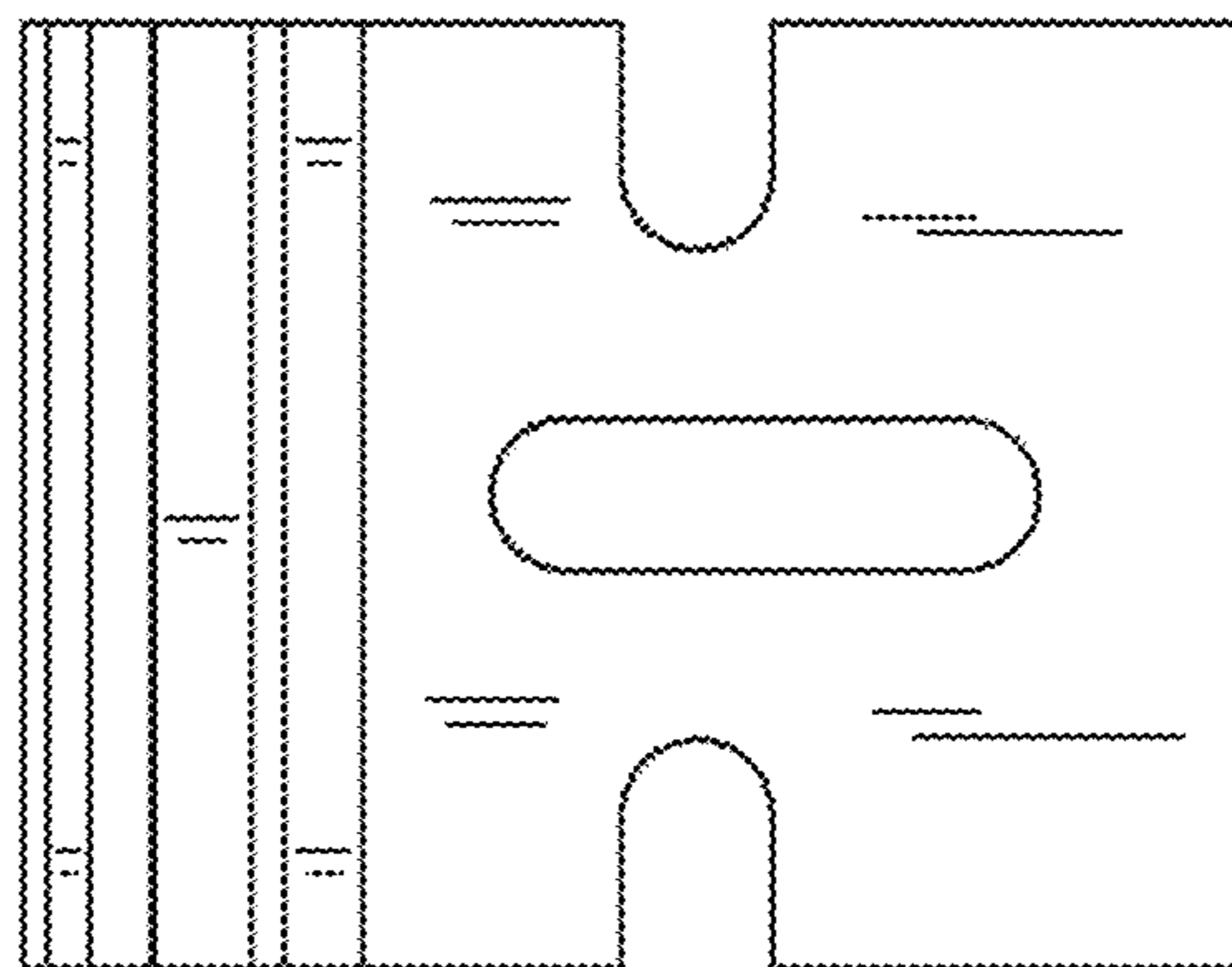


FIG. 2

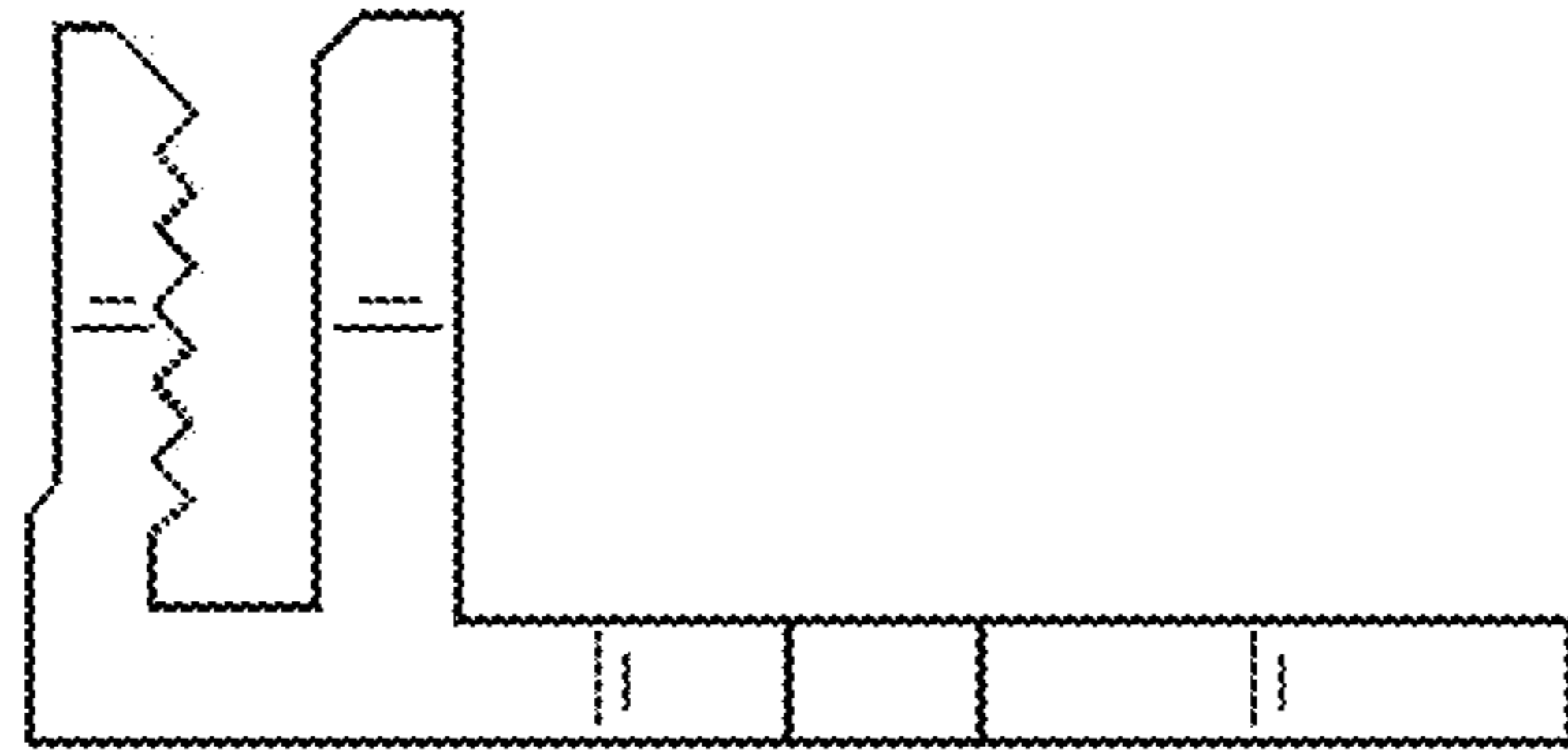


FIG. 5

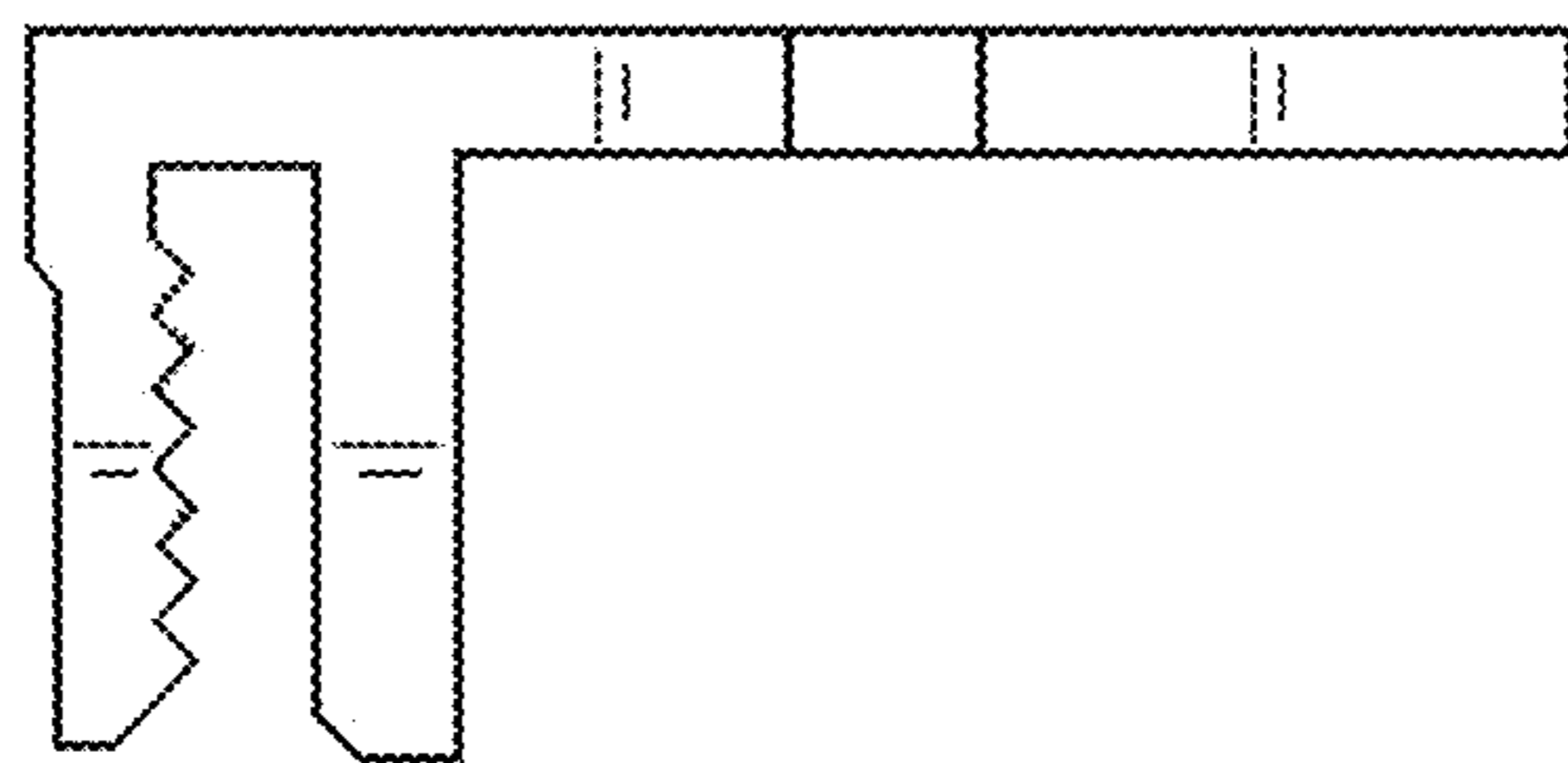


FIG. 4

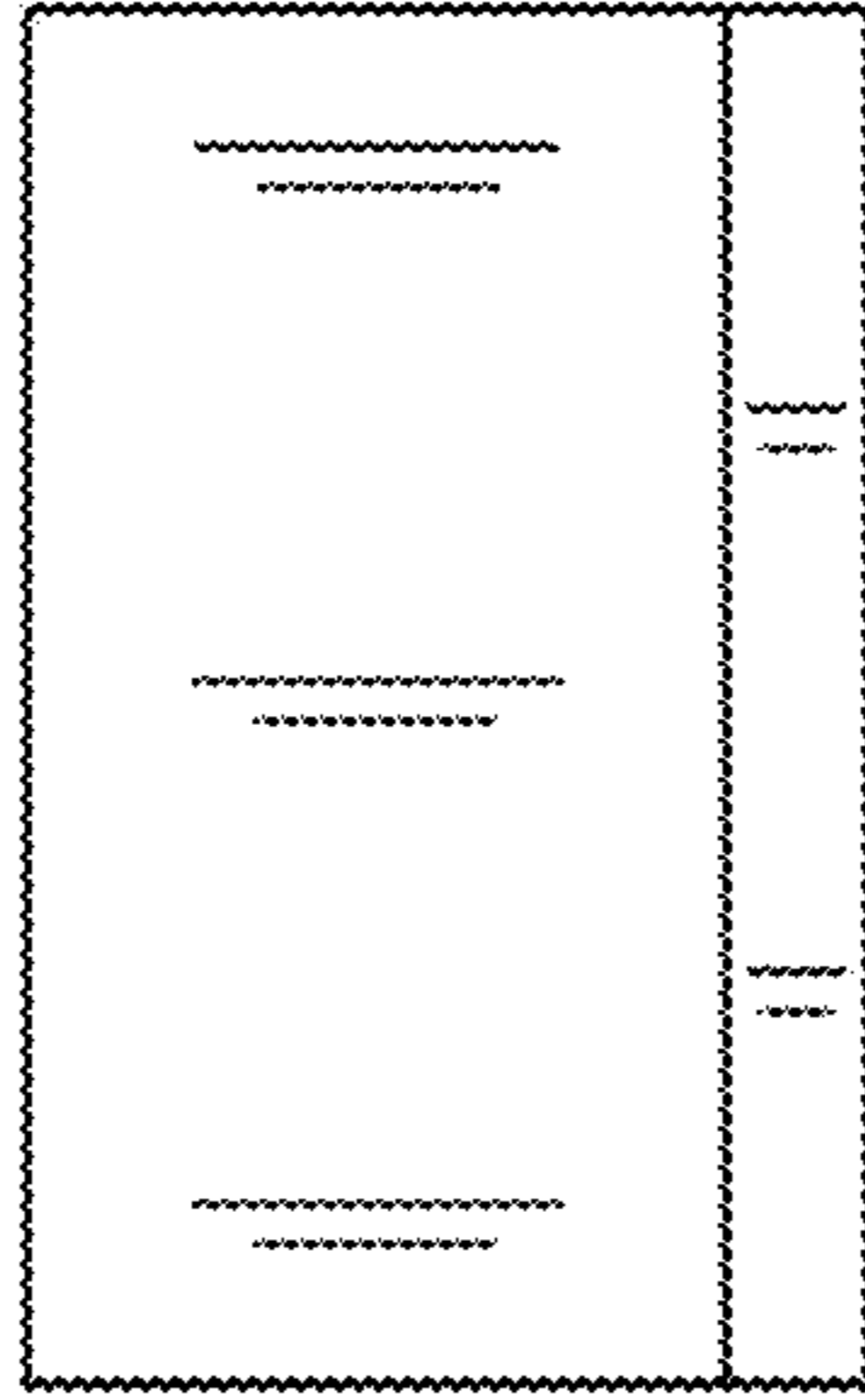


FIG. 7

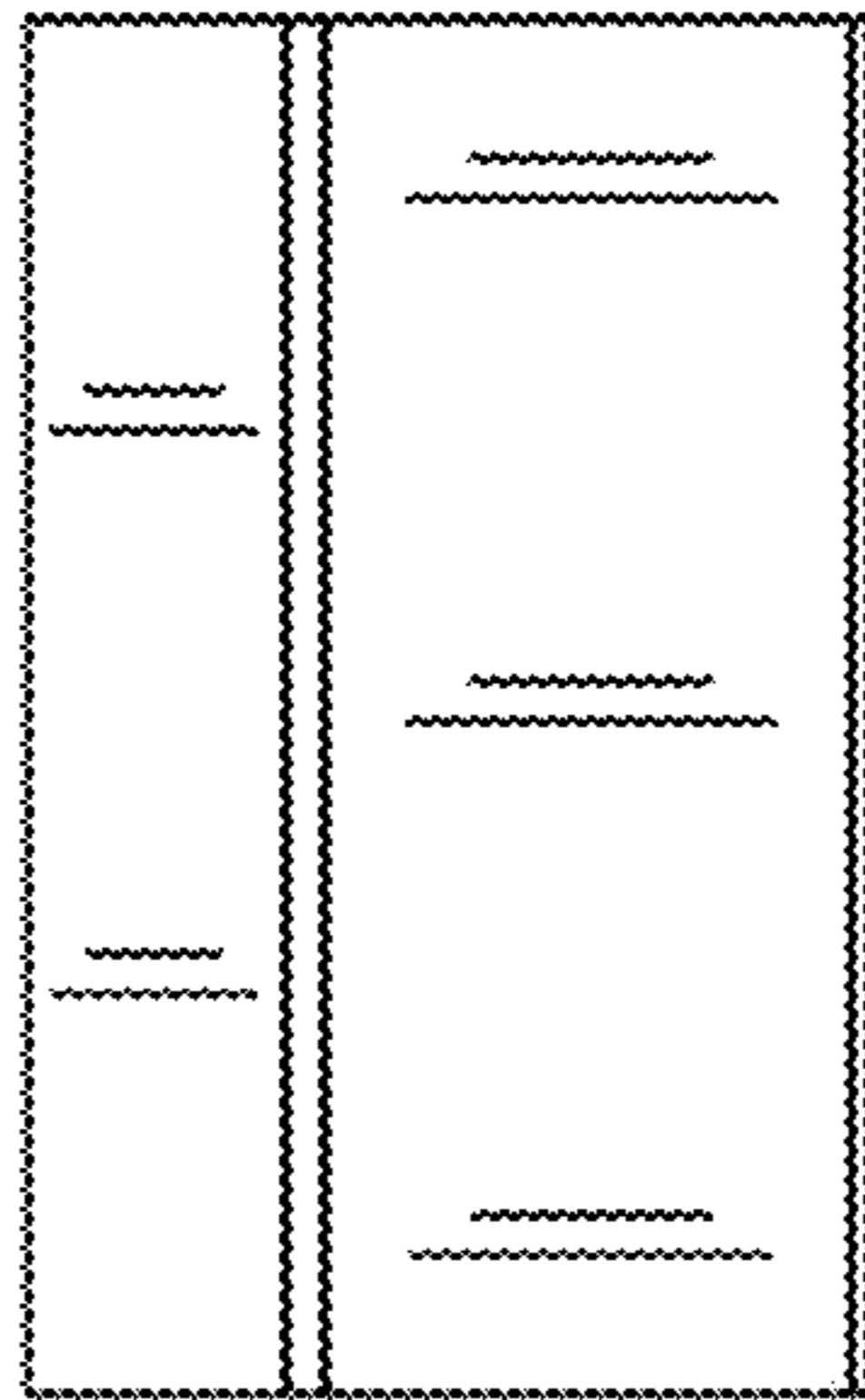


FIG. 6