



US00D933391S

(12) **United States Design Patent**
Cavagna

(10) **Patent No.:** **US D933,391 S**

(45) **Date of Patent:** **** Oct. 19, 2021**

- (54) **BED**
- (71) Applicant: **DONOVA'S S.R.L.**, Brescia (IT)
- (72) Inventor: **Mauro Cavagna**, Brescia (IT)
- (73) Assignee: **DONOVA'S S.r.L.**, Brescia (IT)
- (**) Term: **15 Years**
- (21) Appl. No.: **35/509,775**
- (22) Filed: **Jun. 25, 2020**
- (80) **Hague Agreement Data**
 Int. Filing Date: **Jun. 25, 2020**
 Int. Reg. No.: **DM/208952**
 Int. Reg. Date: **Jun. 25, 2020**
 Int. Reg. Pub. Date: **Jul. 10, 2020**

- 5,044,024 A * 9/1991 Del Rose A47D 7/00
5/400
- 5,184,360 A * 2/1993 Gonzalez A47D 11/005
5/2.1
- D338,284 S * 8/1993 Barreto, III D12/302
- D364,510 S * 11/1995 Harrison D6/384
- D407,862 S * 4/1999 Gasiorek A47D 11/005
D30/118
- 6,353,945 B1 * 3/2002 Jannetides A47C 17/86
5/2.1
- 7,360,261 B1 * 4/2008 Sheliga A47C 17/138
5/12.1
- D572,936 S * 7/2008 Lester, Sr. A47D 5/00
D6/388
- D587,920 S * 3/2009 Lester, Sr. D6/388
- D600,044 S * 9/2009 Lester, Sr. D6/388
- D627,984 S * 11/2010 Haugland D6/388
- D684,790 S * 6/2013 Boatright D6/388
- 9,635,950 B2 * 5/2017 Saunders A47F 7/30
- 10,111,529 B2 * 10/2018 Ray A47C 19/22
- 10,251,489 B1 * 4/2019 Stone A47C 19/021

(Continued)

- (30) **Foreign Application Priority Data**
 Feb. 17, 2020 (EM) 007699202
- (51) **LOC (13) Cl.** **06-02**
- (52) **U.S. Cl.**
 USPC **D6/388**
- (58) **Field of Classification Search**
 USPC D6/382, 383, 384, 388, 392
 CPC A47C 19/04; A47C 19/12; A47C 19/20;
 A47C 19/205; A47C 19/22; A47C
 21/003; A47D 7/00; A47D 7/007; A47D
 11/00
 See application file for complete search history.

Primary Examiner — Steven J Czyn
(74) *Attorney, Agent, or Firm* — Thomas | Horstemeyer, LLP

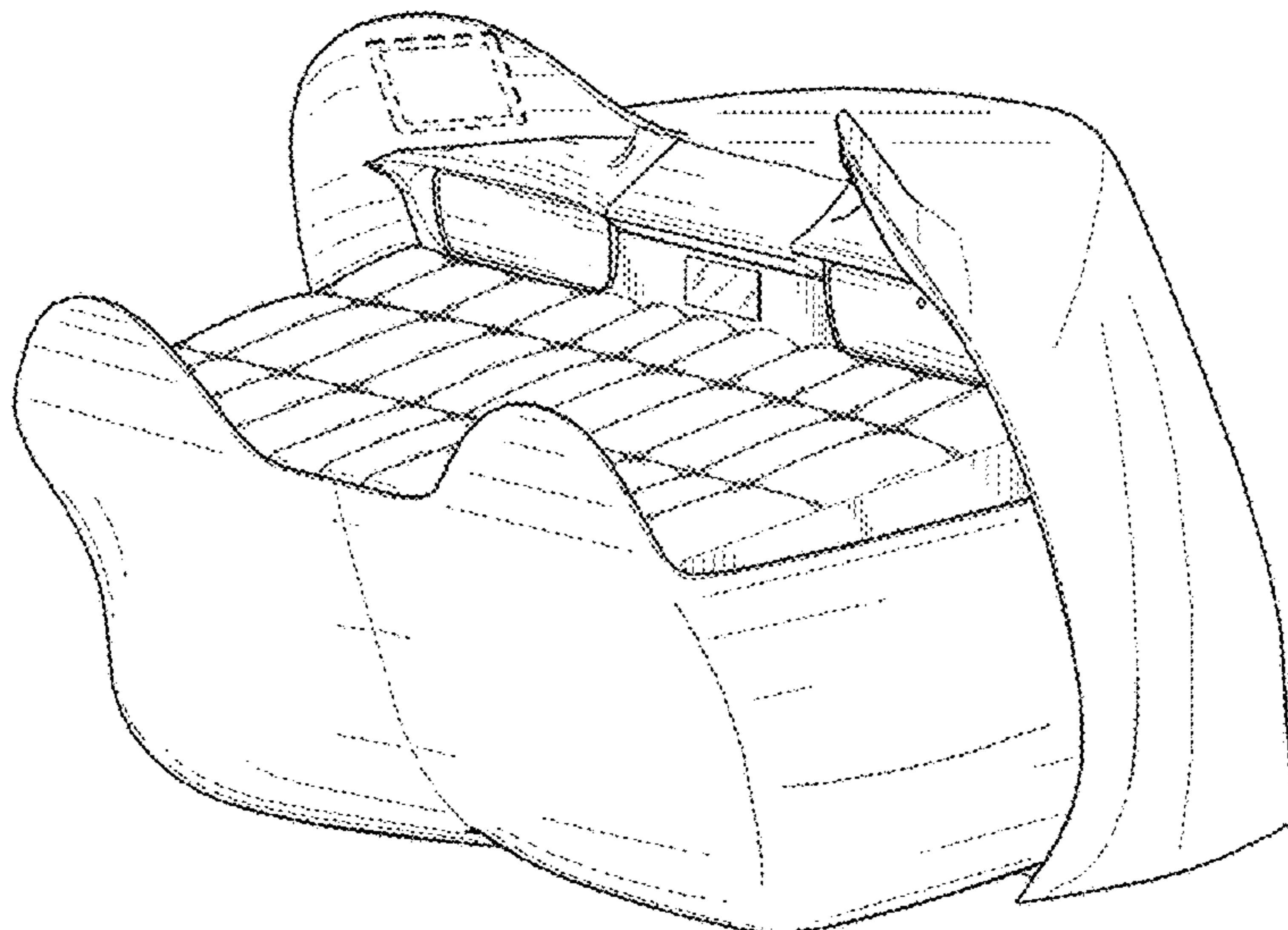
- (56) **References Cited**
 U.S. PATENT DOCUMENTS
 D292,758 S * 11/1987 Bethune D6/388
 D292,952 S * 12/1987 Mercurio D6/388
 4,972,532 A * 11/1990 Juan A47D 5/00
 297/464
 D317,684 S * 6/1991 Manthei D6/384

(57) **CLAIM**
The ornamental design for a bed, as shown and described.

DESCRIPTION

1. Bed
Fig. 1.1 is a perspective view of the design; fig. 1.2 is a left side view thereof, the right side being a mirror image; fig. 1.3 is a top view thereof; fig. 1.4 is a front view thereof; fig. 1.5 is a rear view thereof; fig. 1.6 is a perspective view of the design in alternative position; fig. 1.7 is a side view of the design in alternative position; fig. 1.8 is a top view of the design in alternative position; The broken lines shown on the bed is for the purpose of illustrating portions of the article that form no part of the claimed design.

1 Claim, 8 Drawing Sheets



(56)

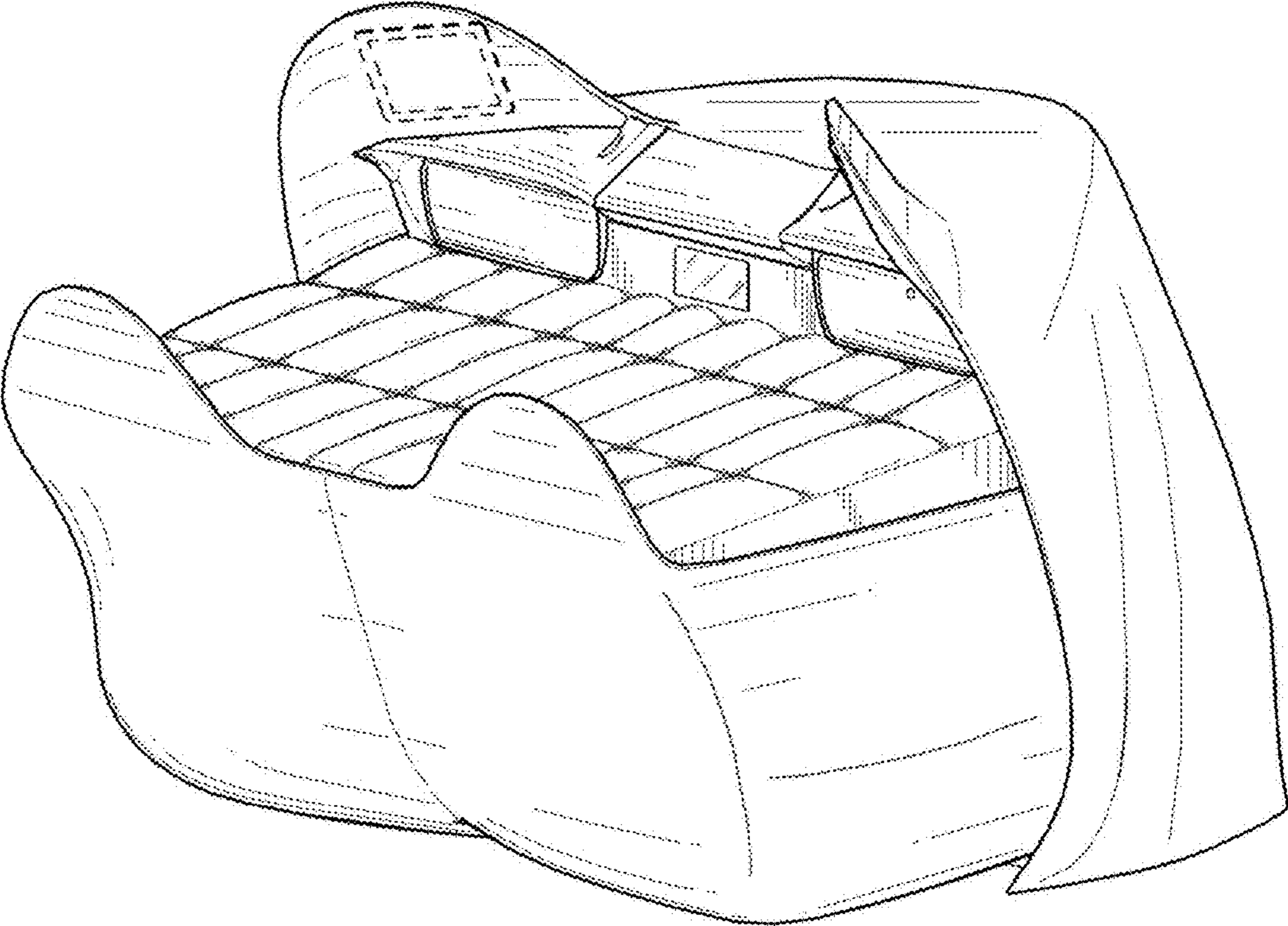
References Cited

U.S. PATENT DOCUMENTS

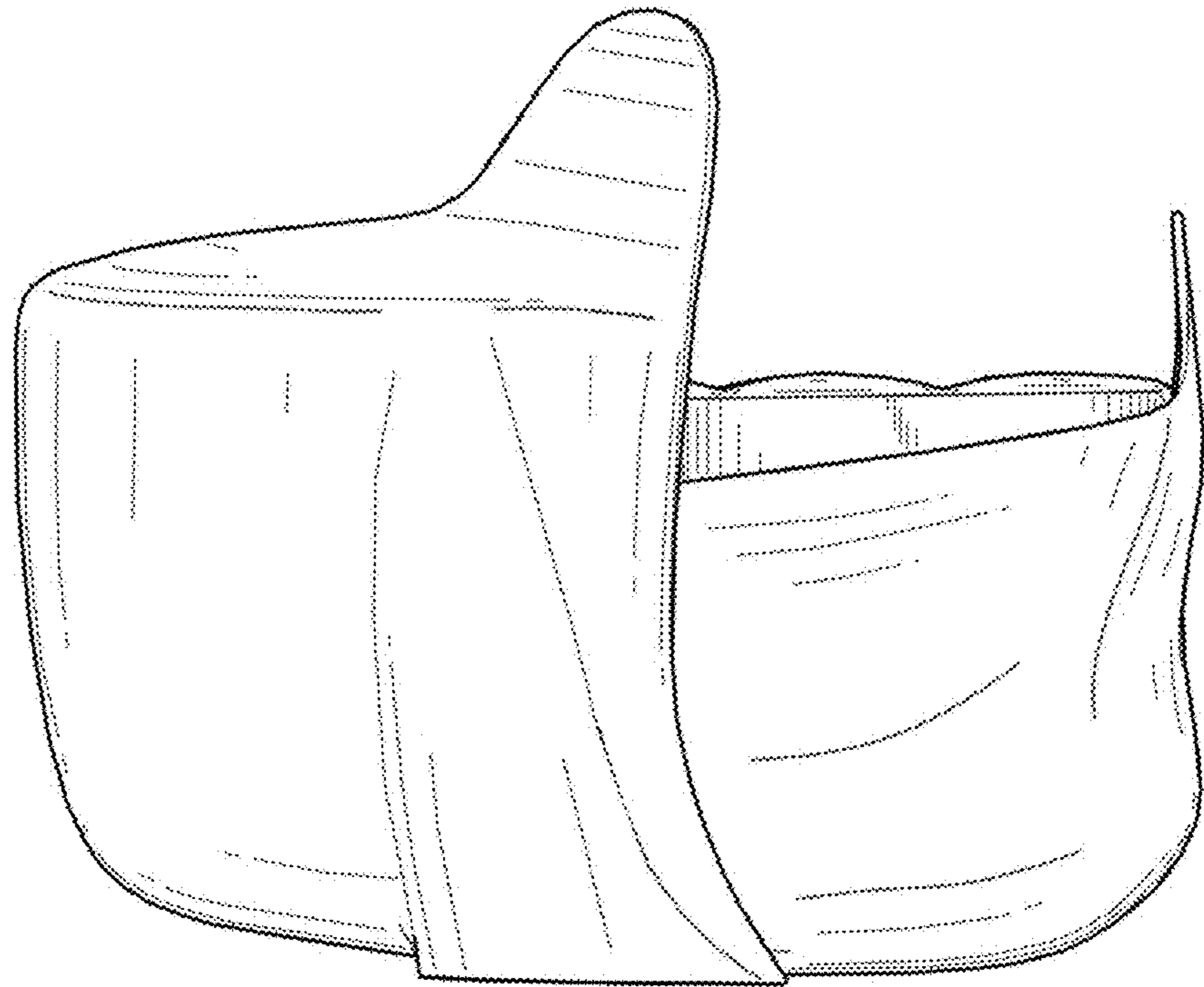
D895,997 S * 9/2020 Strandmark D6/384
D906,002 S * 12/2020 O'Hara D6/384

* cited by examiner

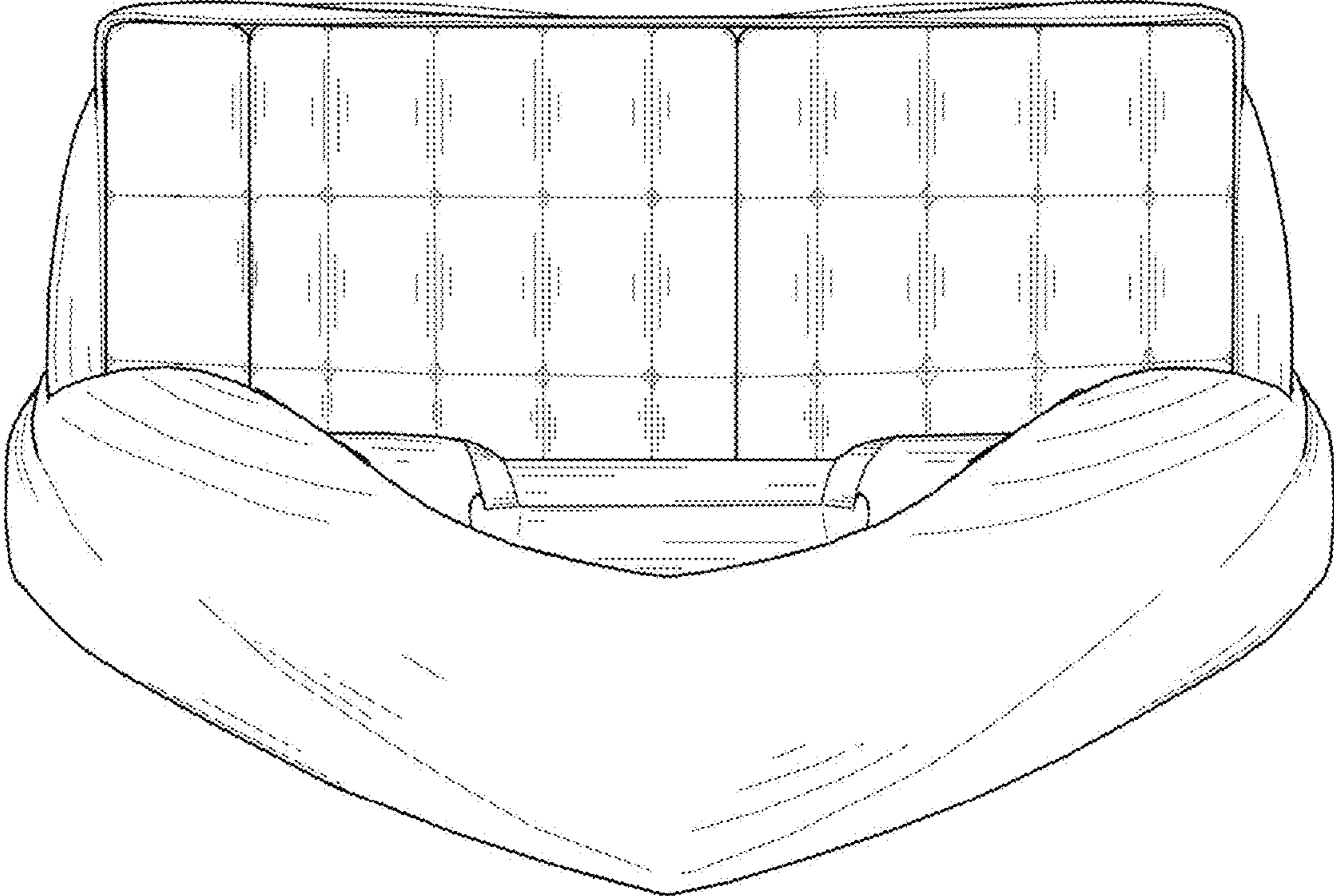
1.1



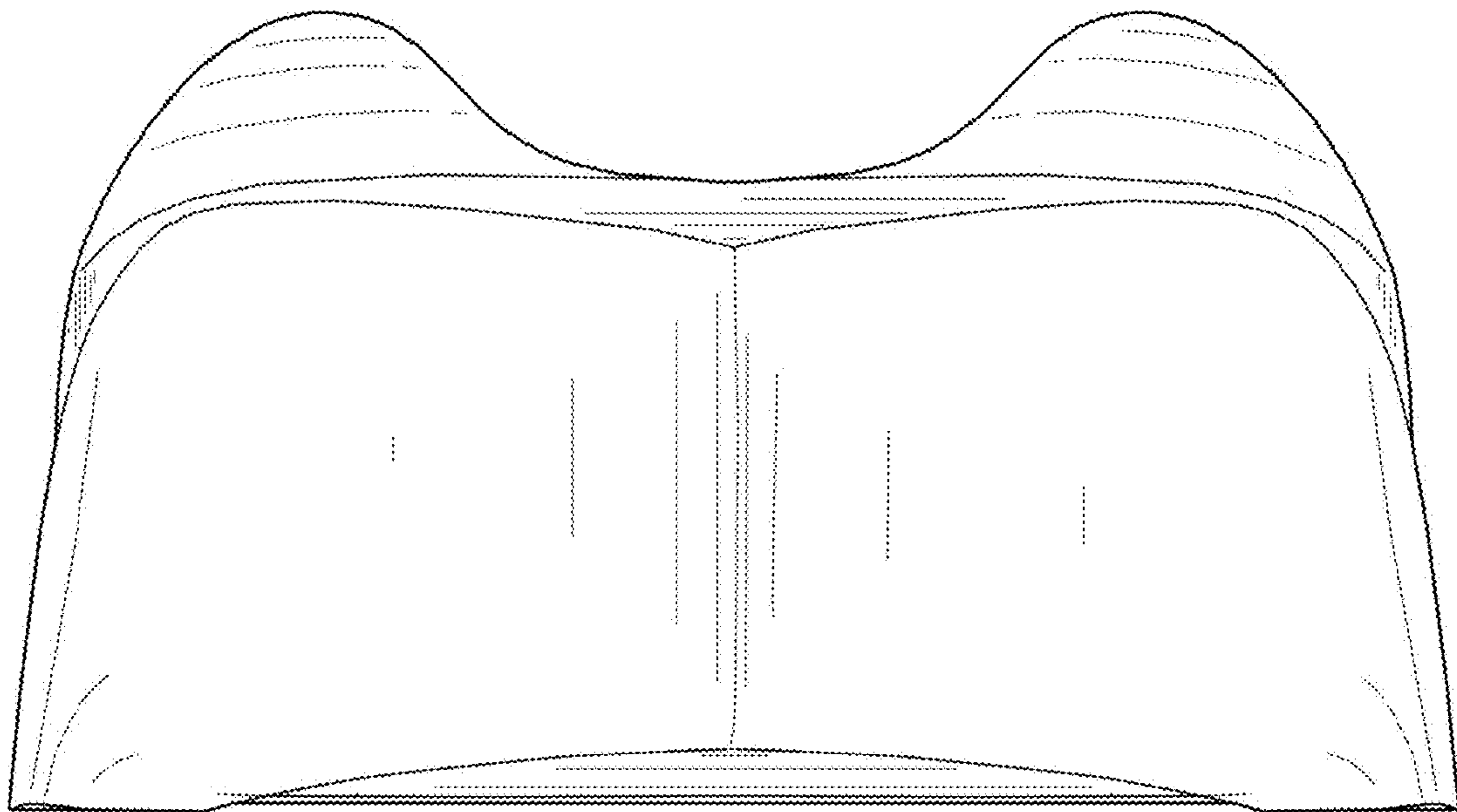
1.2



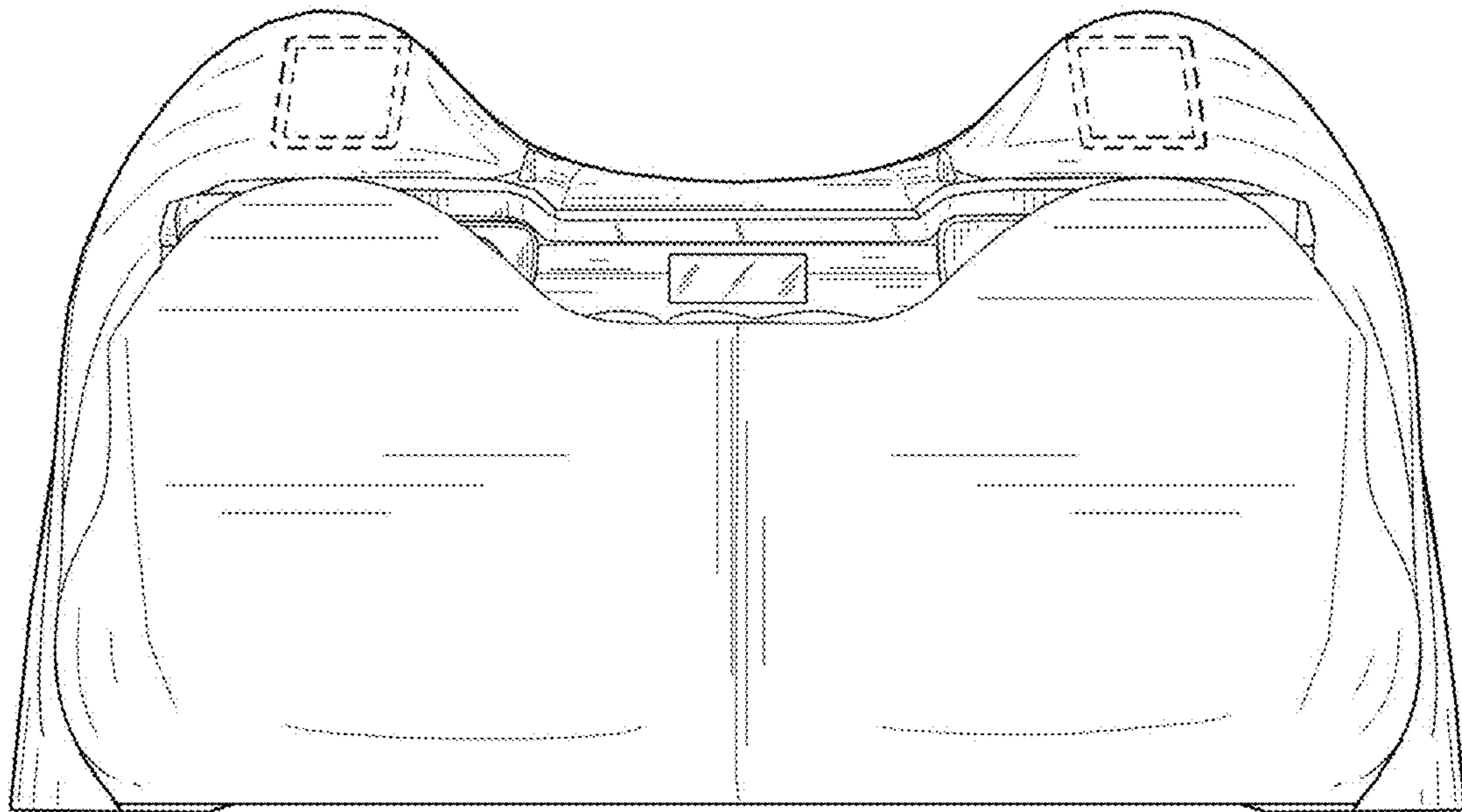
1.3



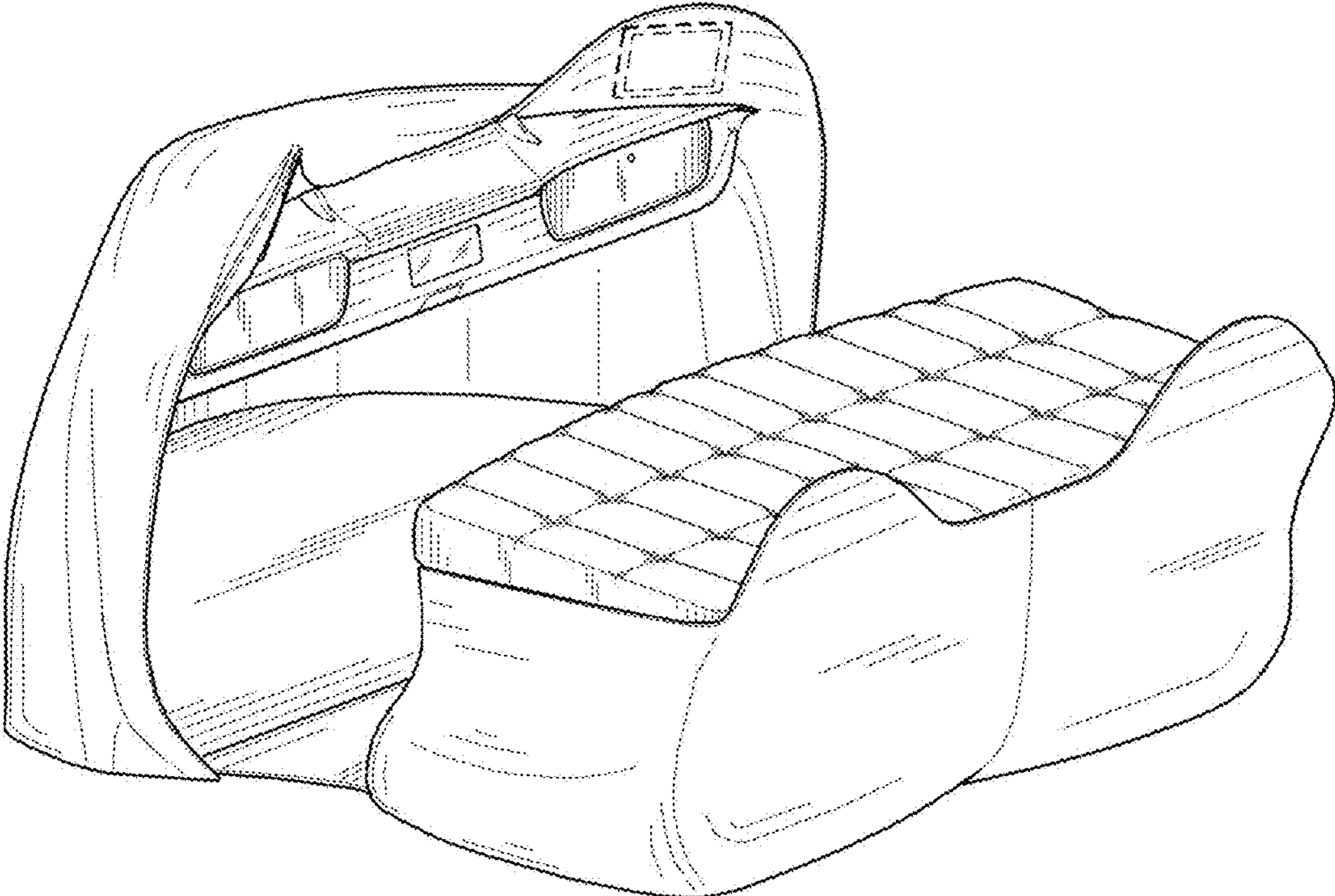
1.4



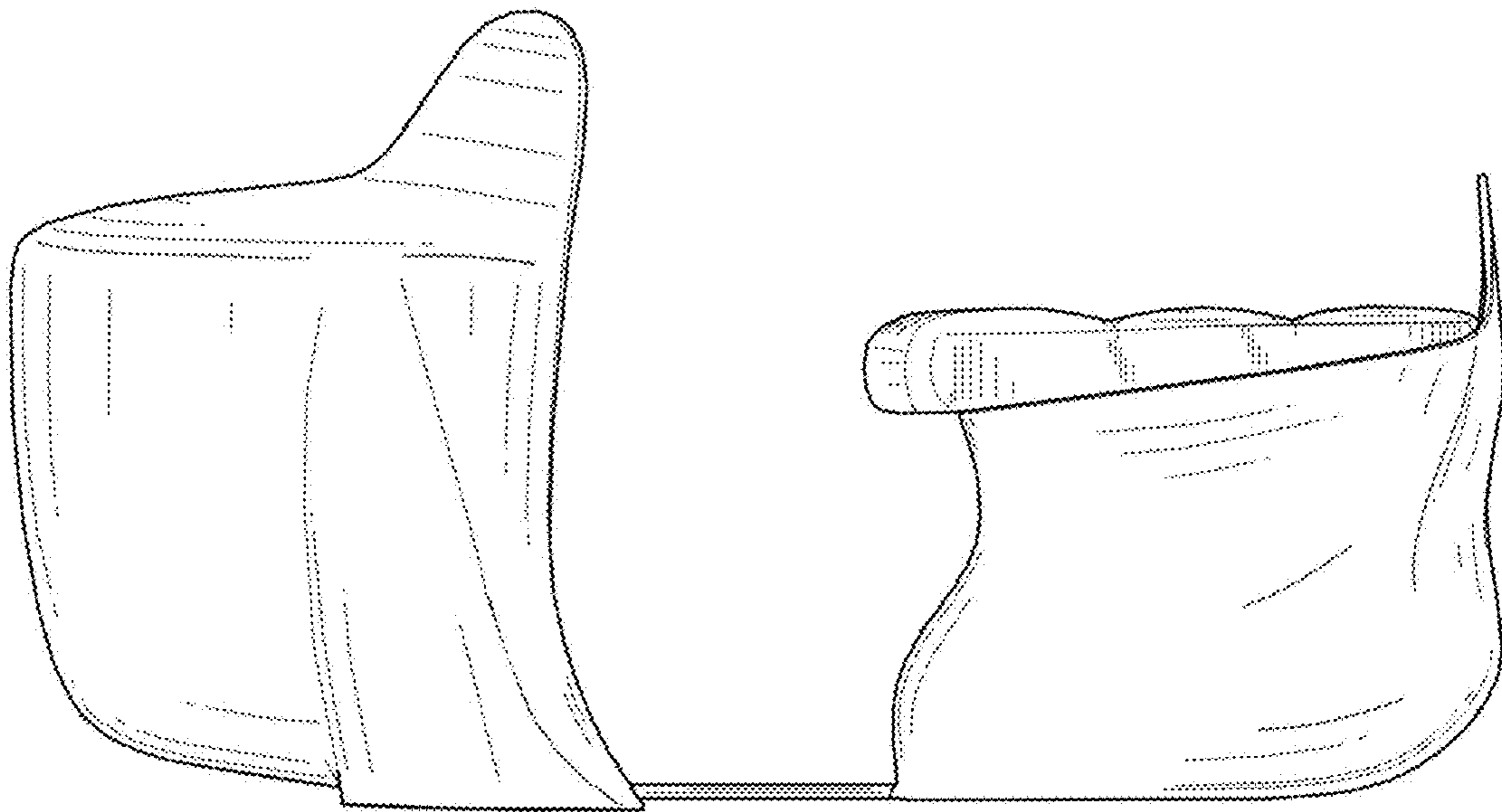
1.5



1.6



1.7



1.8

