



US00D933389S

(12) **United States Design Patent** (10) **Patent No.:** **US D933,389 S**  
**Xiao** (45) **Date of Patent:** **\*\* Oct. 19, 2021**

(54) **CHAIR**

(71) Applicant: **TAIZHOU SUKK FURNITURE CO., LTD**, Zhejiang (CN)

(72) Inventor: **Shuangshuang Xiao**, Zhejiang (CN)

(73) Assignee: **TAIZHOU SUKK FURNITURE CO., LTD**, Taizhou (CN)

(\*\*) Term: **15 Years**

(21) Appl. No.: **29/787,644**

(22) Filed: **Jun. 8, 2021**

**Related U.S. Application Data**

(62) Division of application No. 29/769,978, filed on Feb. 9, 2021.

(30) **Foreign Application Priority Data**

Dec. 2, 2020 (EM) ..... 008304919-0001  
Dec. 2, 2020 (EM) ..... 008304919-0002

(51) **LOC (13) Cl.** ..... **06-01**

(52) **U.S. Cl.**  
USPC ..... **D6/370**

(58) **Field of Classification Search**  
USPC ..... D6/334-336, 370, 374, 379, 380, 716, D6/716.1, 716.2, 716.3, 716.4  
CPC .... A47C 3/04; A47C 4/02; A47C 4/03; A47C 4/08; A47C 5/12; A47C 7/16; A47C 4/024; A47C 4/025; A47C 7/54  
See application file for complete search history.

(56) **References Cited**

U.S. PATENT DOCUMENTS

2,490,884 A *	12/1949	Rau .....	A47C 4/03 297/440.15
D523,653 S	6/2006	Peek et al.	
D547,961 S *	8/2007	Hutton .....	D6/370
D569,639 S	5/2008	Swanson	
D660,040 S	5/2012	Bogdan et al.	
D668,075 S *	10/2012	Mosley .....	D6/370
D668,466 S *	10/2012	White, III .....	D6/370
D668,467 S *	10/2012	White, III .....	D6/370
D781,611 S	3/2017	Westfall	
D865,425 S	11/2019	Snowden	

\* cited by examiner

*Primary Examiner* — Mimosa De

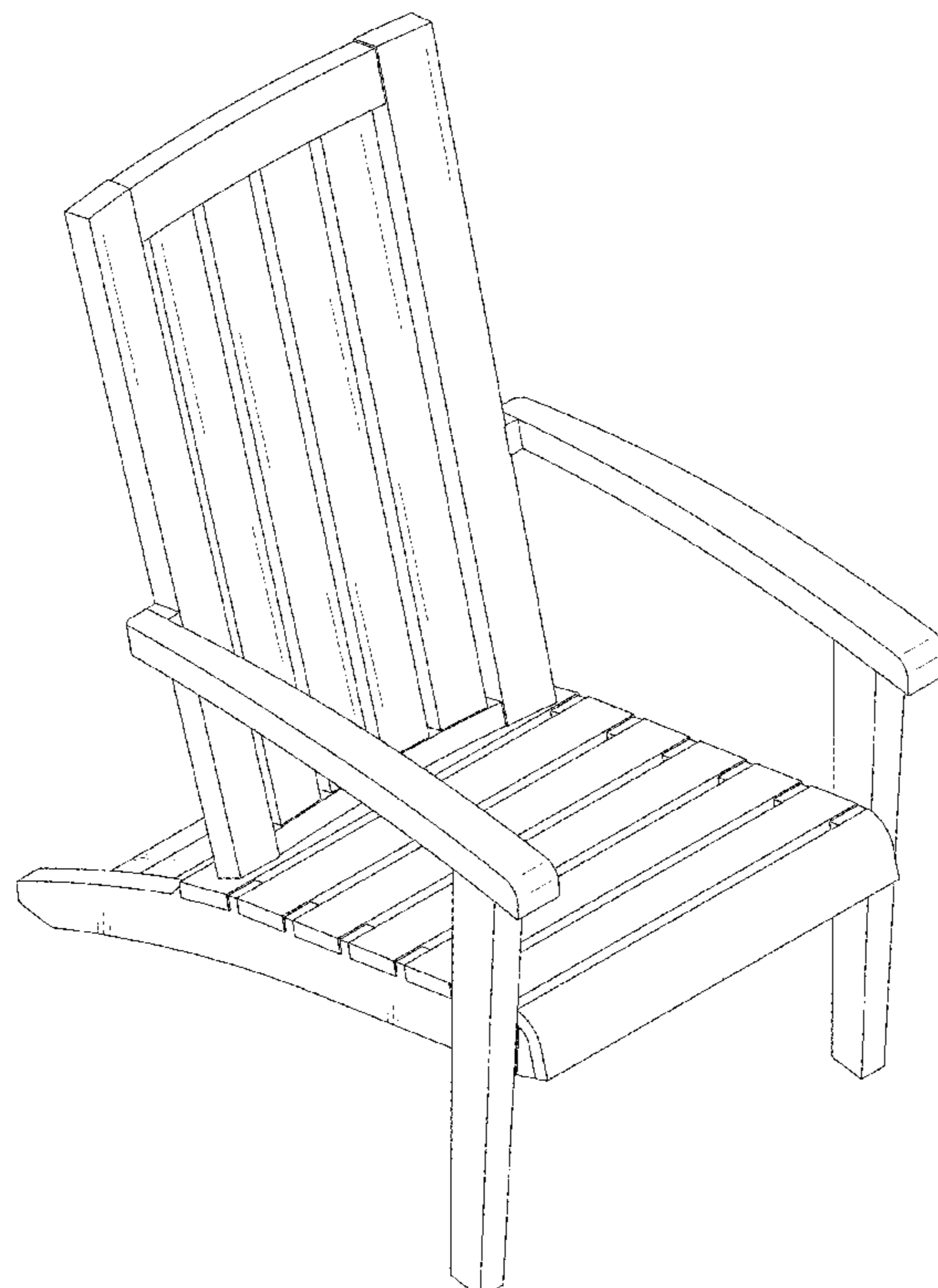
(57) **CLAIM**

The ornamental design for a chair, as shown and described.

**DESCRIPTION**

FIG. 1 is a perspective view of a chair showing my new design;  
FIG. 2 is a front elevational view thereof;  
FIG. 3 is a rear elevational view thereof;  
FIG. 4 is a left side elevational view thereof;  
FIG. 5 is a right side elevational view thereof; and,  
FIG. 6 is a top plan view thereof.  
The broken lines in the drawings depict portions of the chair that form no part of the claimed design.

**1 Claim, 6 Drawing Sheets**



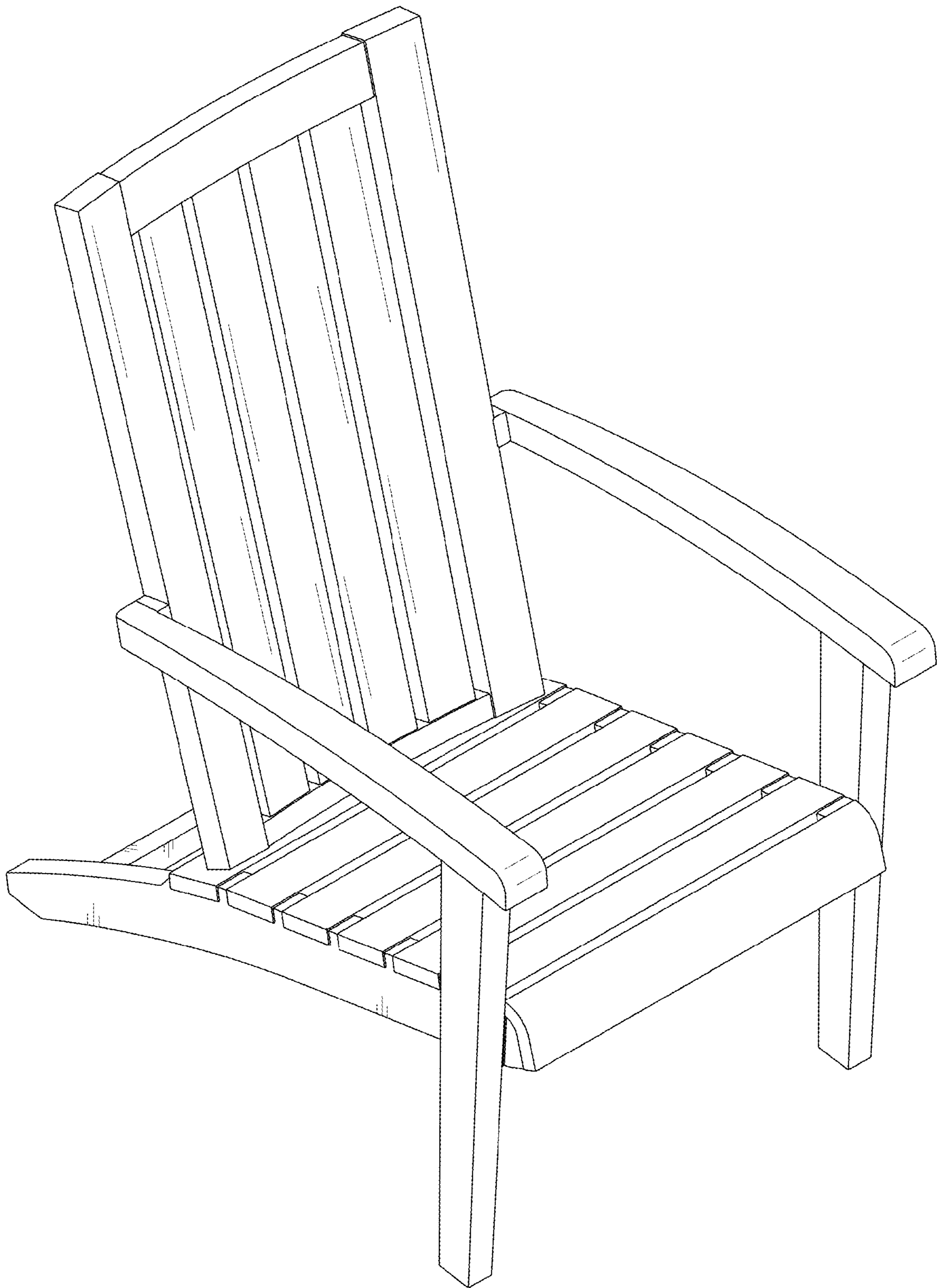


FIG. 1

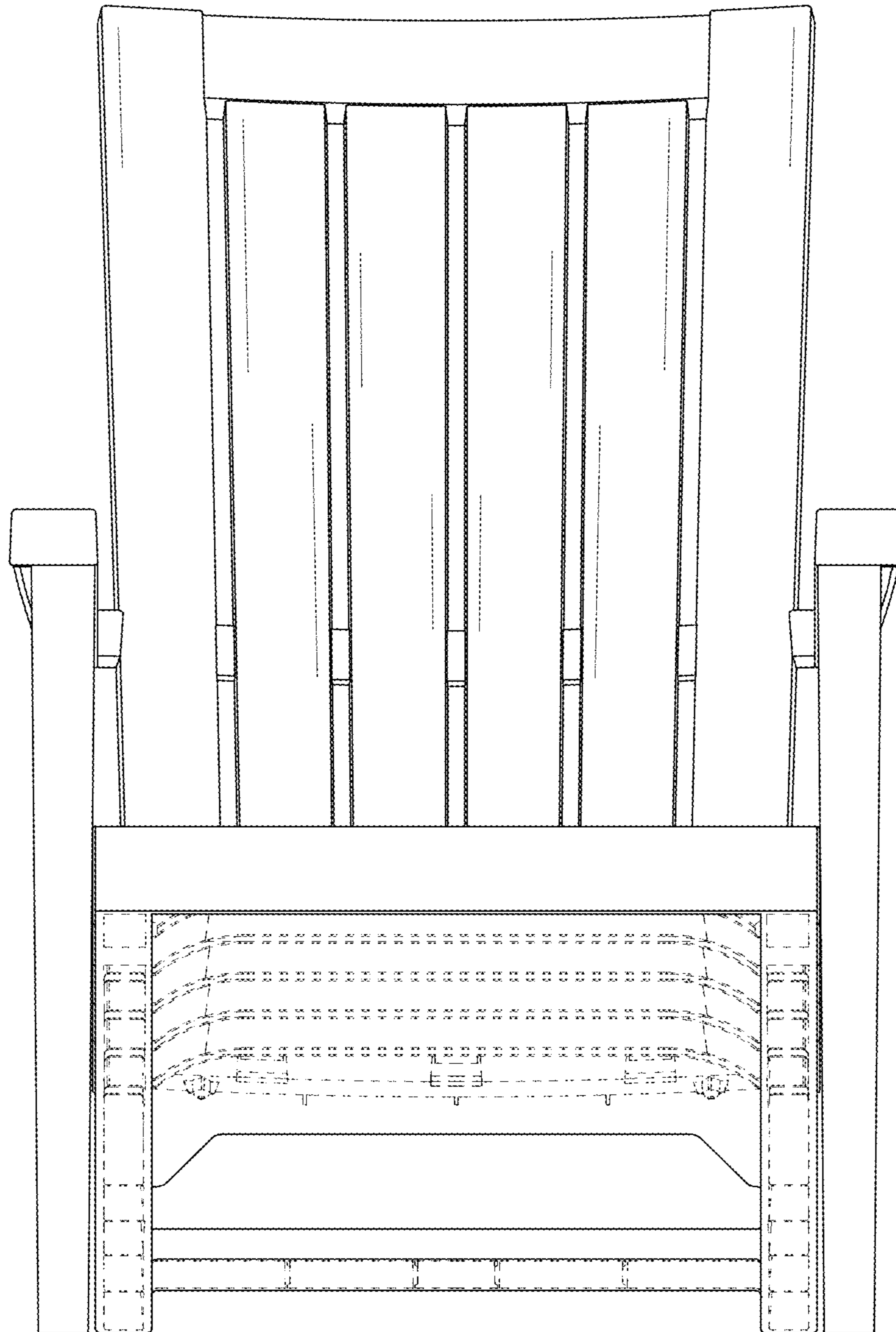


FIG. 2

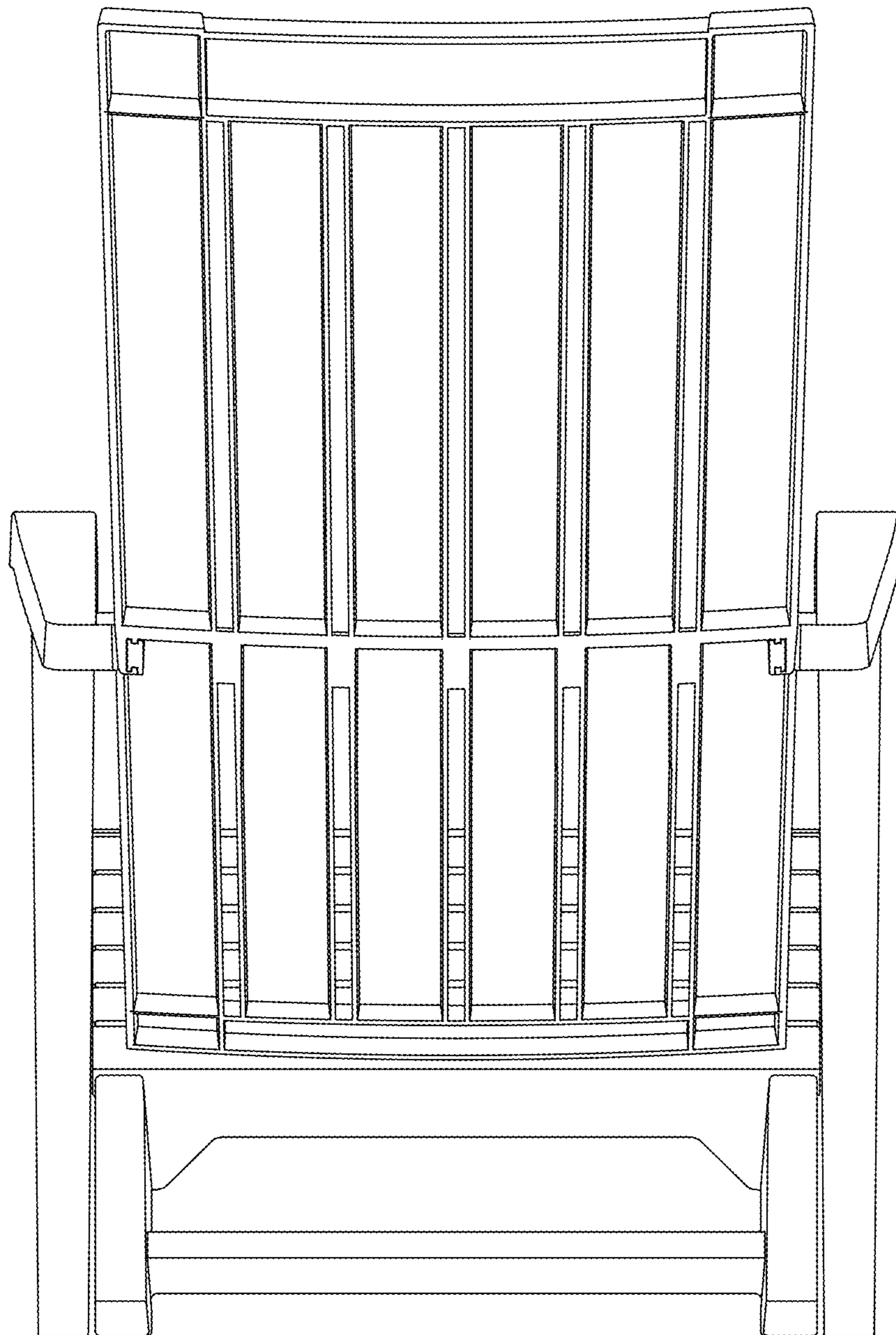


FIG. 3

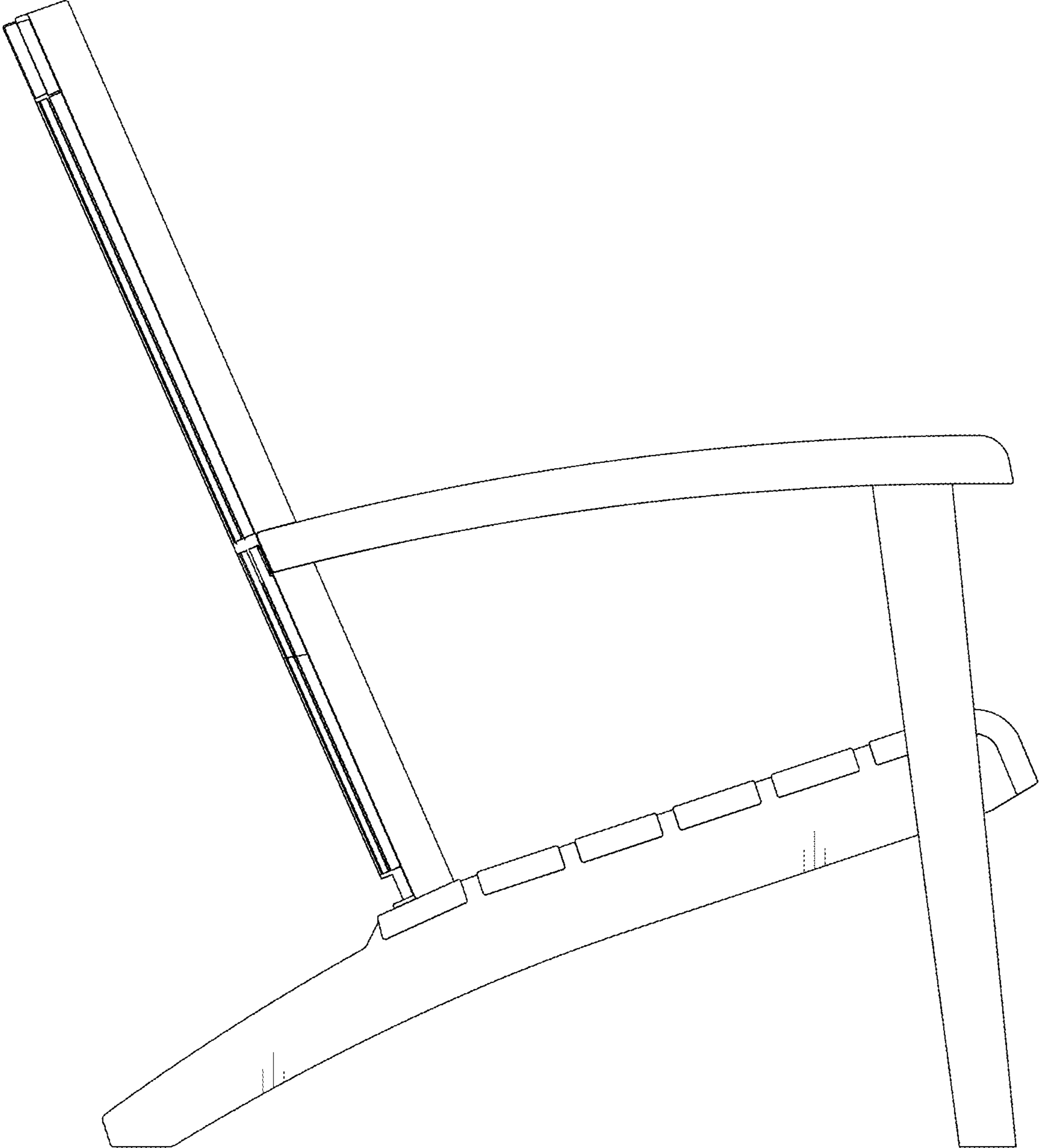


FIG. 4

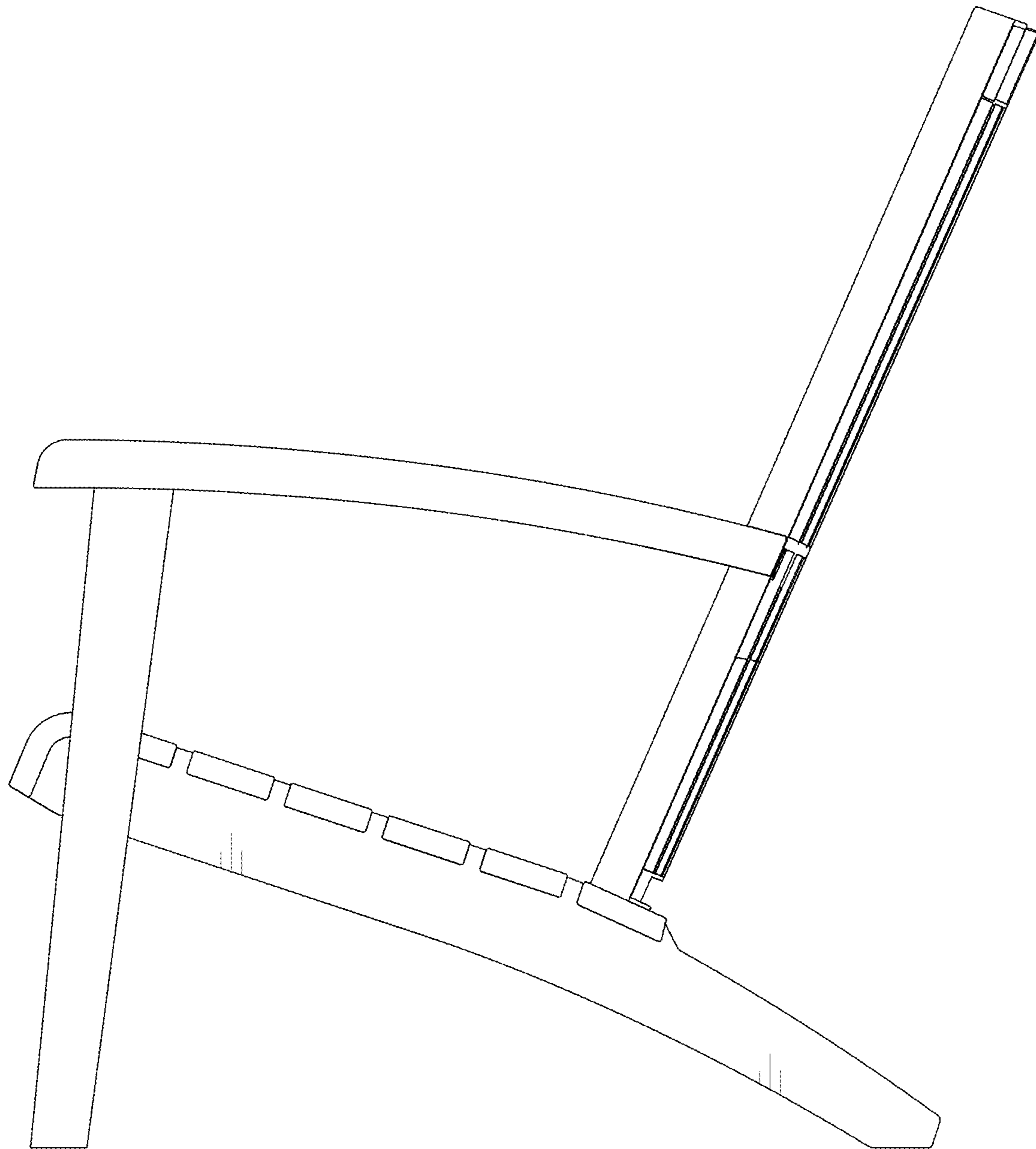


FIG. 5

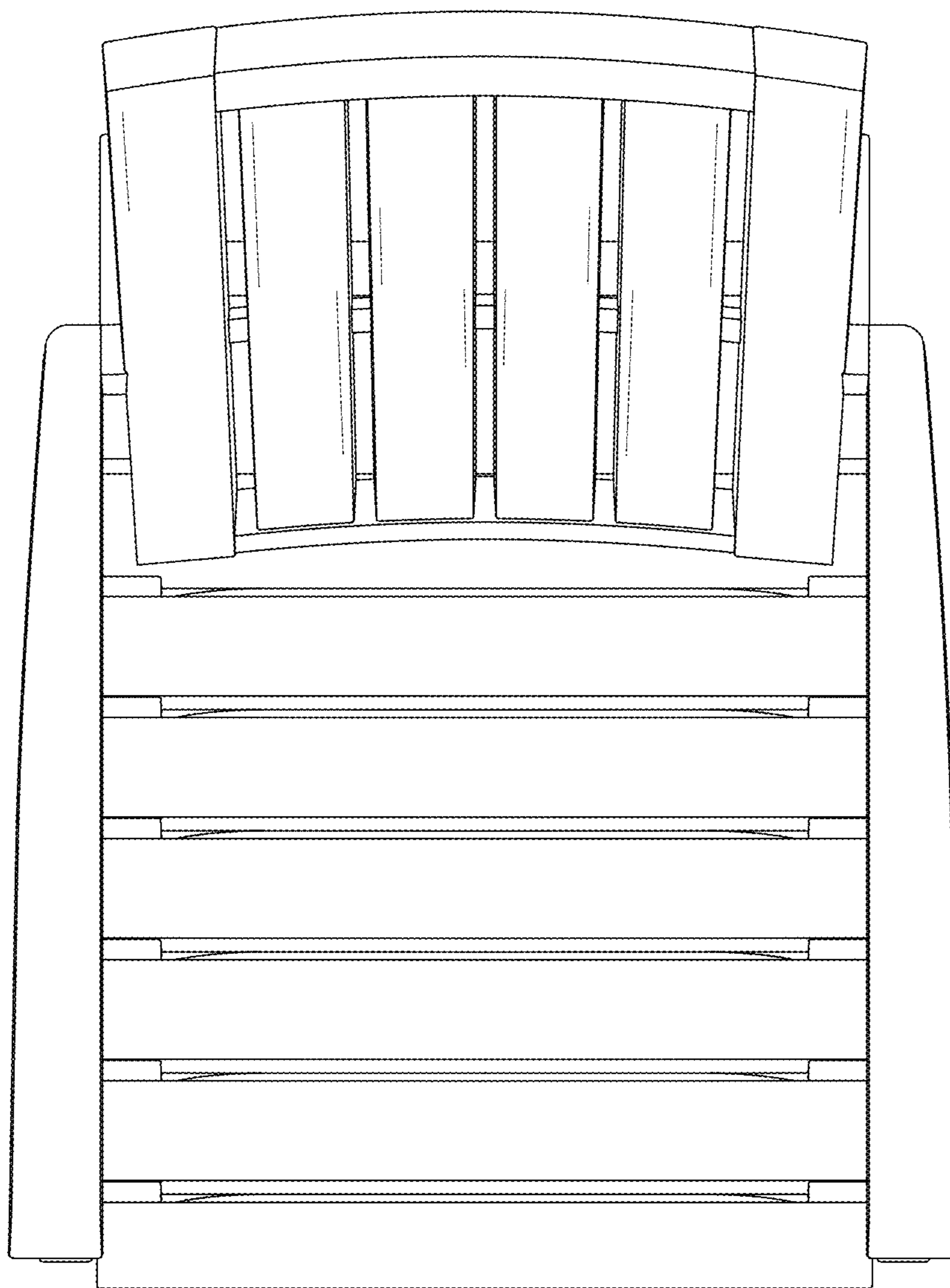


FIG. 6