



US00D933386S

(12) **United States Design Patent**
Ker

(10) **Patent No.:** **US D933,386 S**

(45) **Date of Patent:** **** Oct. 19, 2021**

(54) **MESSAGE CHAIR**

(71) Applicant: **Zi Yi Ker**, Singapore (SG)

(72) Inventor: **Zi Yi Ker**, Singapore (SG)

(**) Term: **15 Years**

(21) Appl. No.: **29/699,006**

(22) Filed: **Jul. 22, 2019**

(30) **Foreign Application Priority Data**

Jan. 22, 2019 (SG) 30201906169Q

(51) **LOC (13) Cl.** **06-01**

(52) **U.S. Cl.**
USPC **D6/367**

(58) **Field of Classification Search**

USPC D6/334-336, 361, 367, 371, 373, 374,
D6/716, 716.1, 716.2, 716.4, 716.5,
D6/716.6, 717

CPC A61H 1/003; A61H 1/0237; A61H
2201/1669; A61H 7/00; A61H 7/001;
A61H 7/002; A61H 7/004; A61H 7/007;
A61H 23/00; A61H 23/02; A61H
23/0254; A61H 9/0078; A47C 7/50

See application file for complete search history.

(56) **References Cited**

U.S. PATENT DOCUMENTS

D653,468 S * 2/2012 Hsieh D6/367
D699,961 S * 2/2014 Le D6/367

D704,947 S * 5/2014 Zhou Honglie D6/367
D796,219 S * 9/2017 Lin D6/367
D869,182 S * 12/2019 Lin D6/367
D887,741 S * 6/2020 Okuyama D6/367
D888,451 S * 6/2020 Chen D6/367
D889,869 S * 7/2020 Chen D6/367
D923,351 S * 6/2021 Lin D6/367

* cited by examiner

Primary Examiner — Mimoso De

(74) *Attorney, Agent, or Firm* — Baker & McKenzie LLP

(57) **CLAIM**

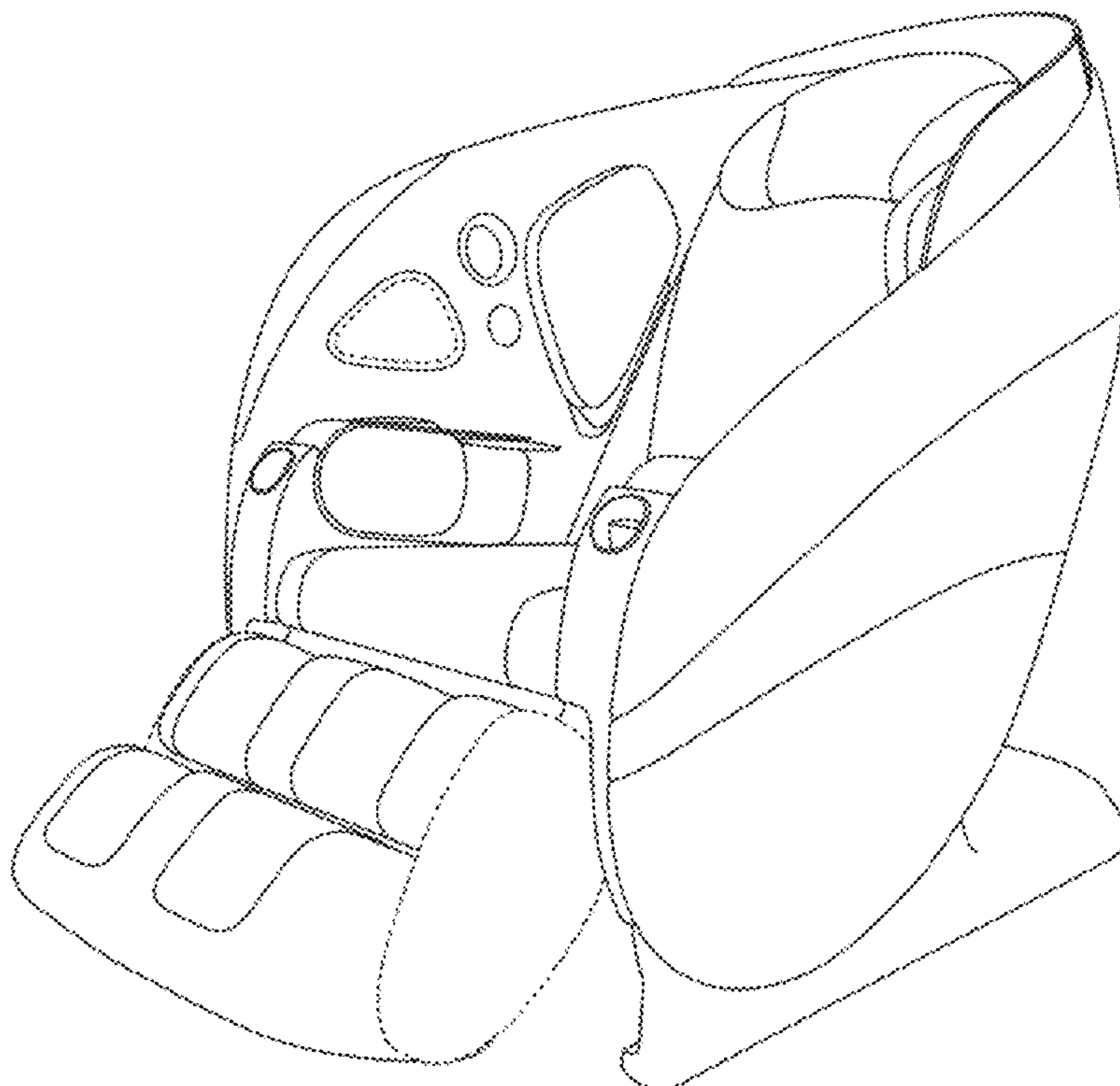
The ornamental design for a massage chair, as shown and described.

DESCRIPTION

FIG. 1 is a front perspective view of my new design; FIG. 2 is a back perspective view of my new design; FIG. 3 is a front elevation view of my new design; FIG. 4 is a back elevation view of my new design; FIG. 5 is a left elevation view of my new design; FIG. 6 is a right elevation view of my new design; FIG. 7 is a top plan view of my new design; FIG. 8 is a bottom plan view of my new design; FIG. 9 is a front perspective view of my new design in an extended position; and, FIG. 10 is a back perspective view of my new design in an extended position.

The broken lines shown in the figures are for the purpose of illustrating portions of the massage chair, which forms no part of the claim design.

1 Claim, 10 Drawing Sheets



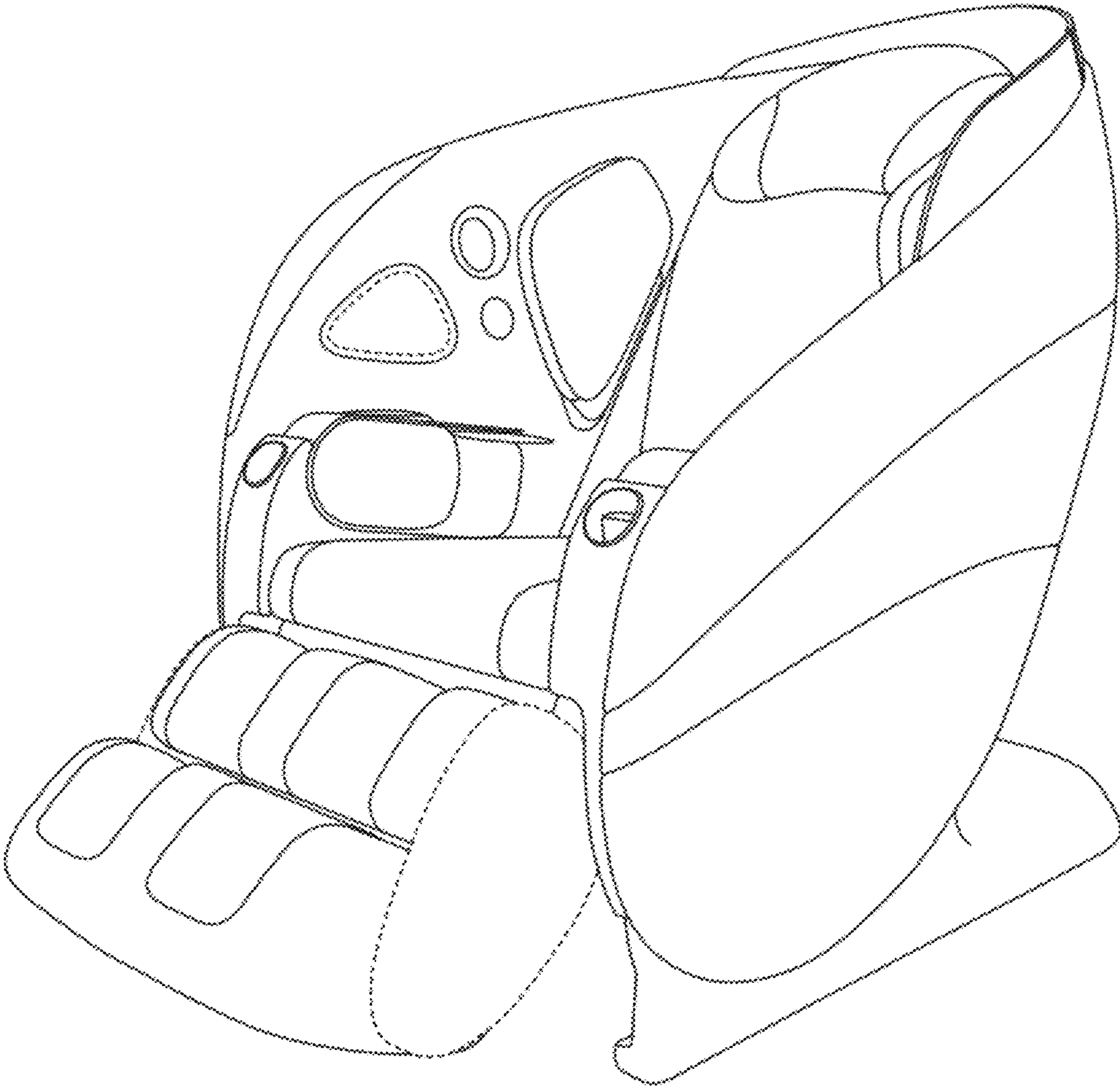


FIG. 1

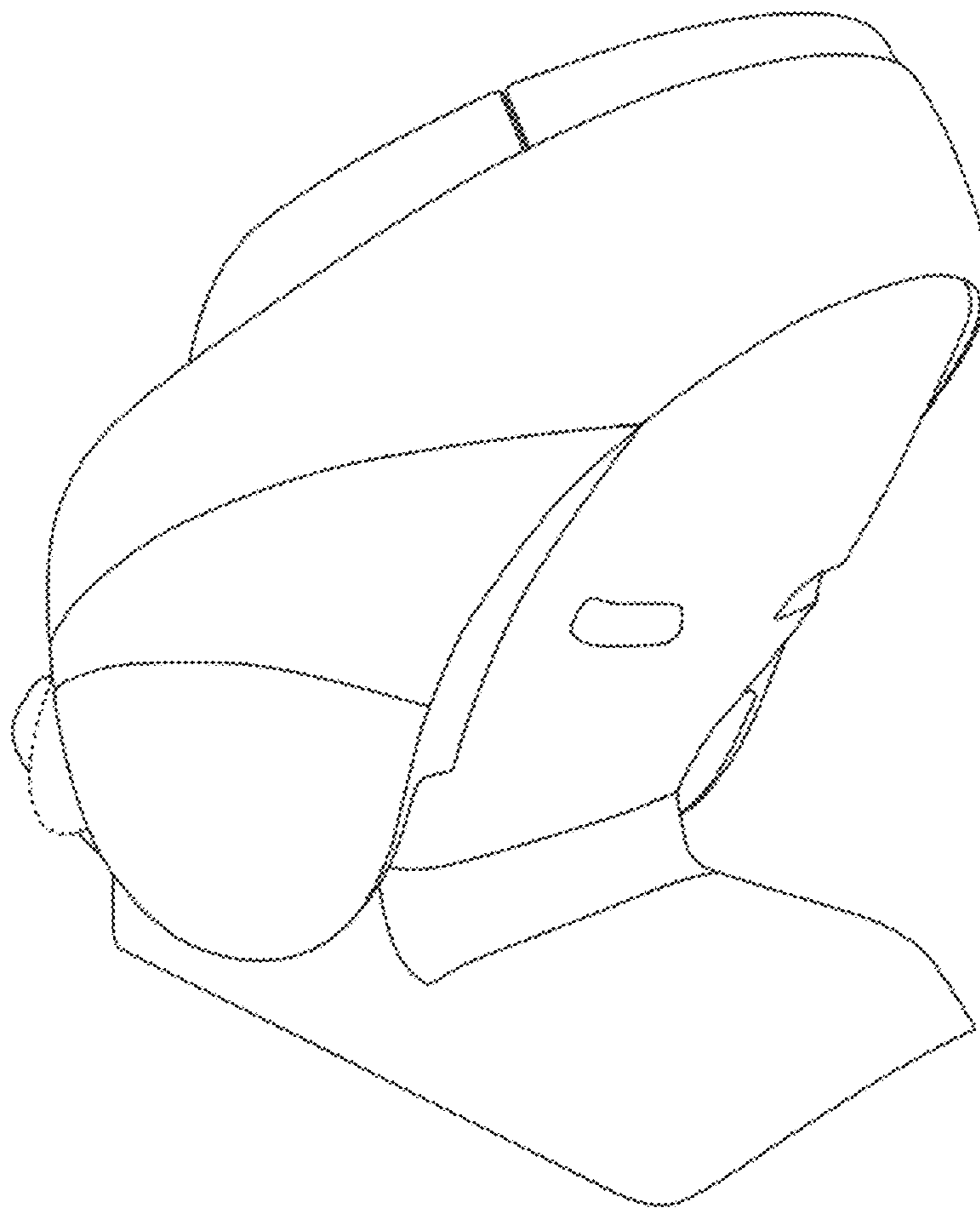


FIG. 2

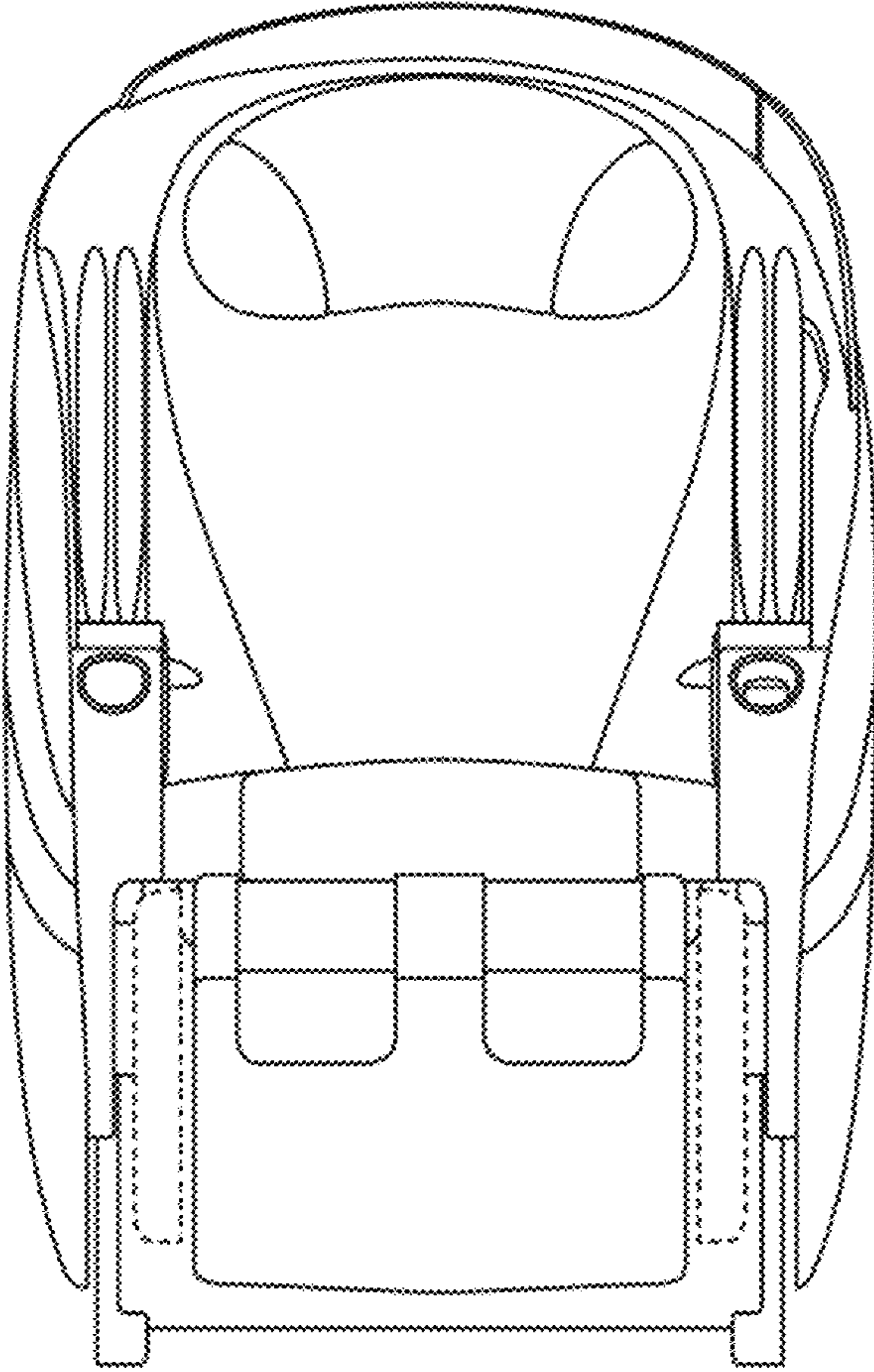


FIG. 3

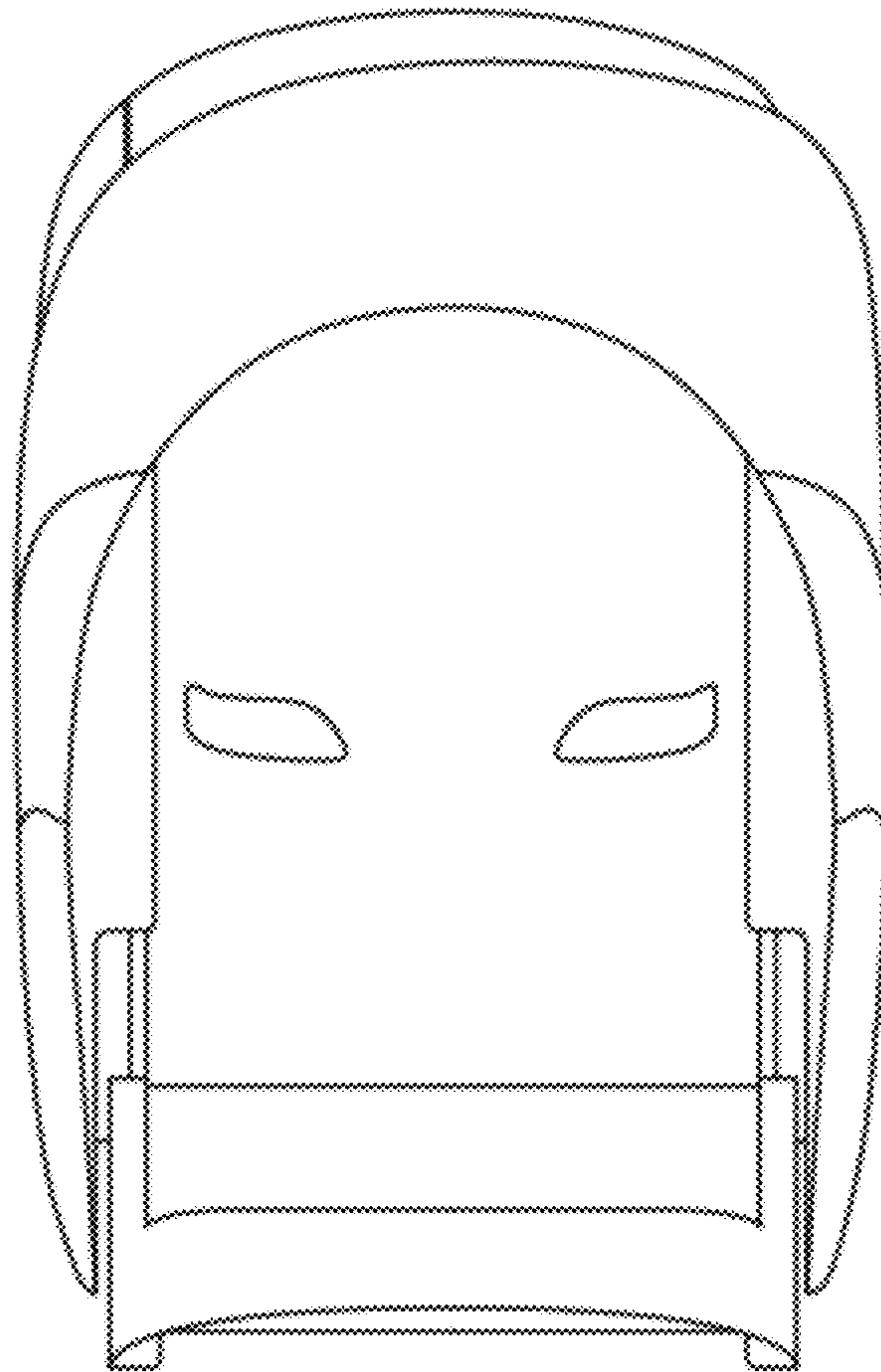


FIG. 4

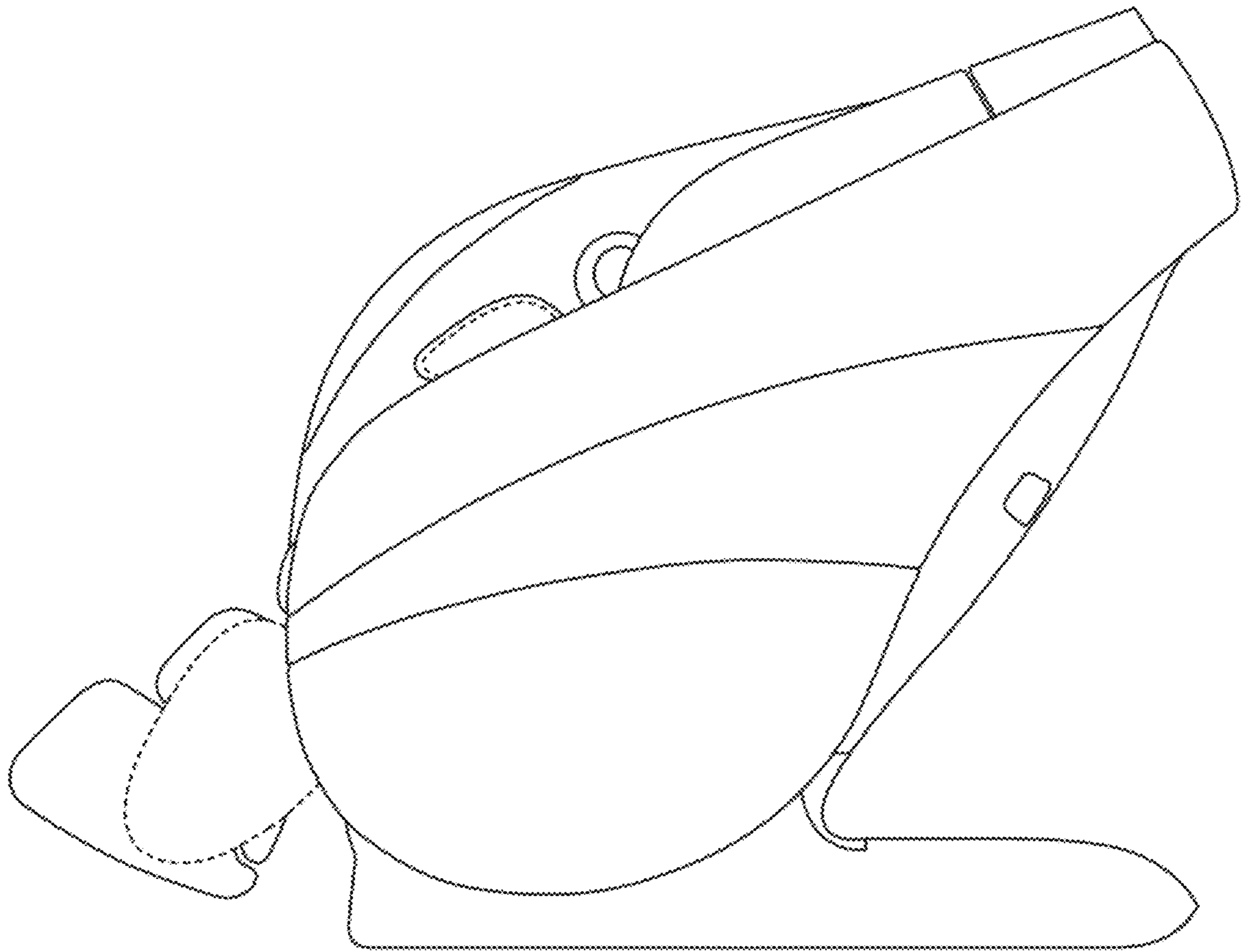


FIG. 5

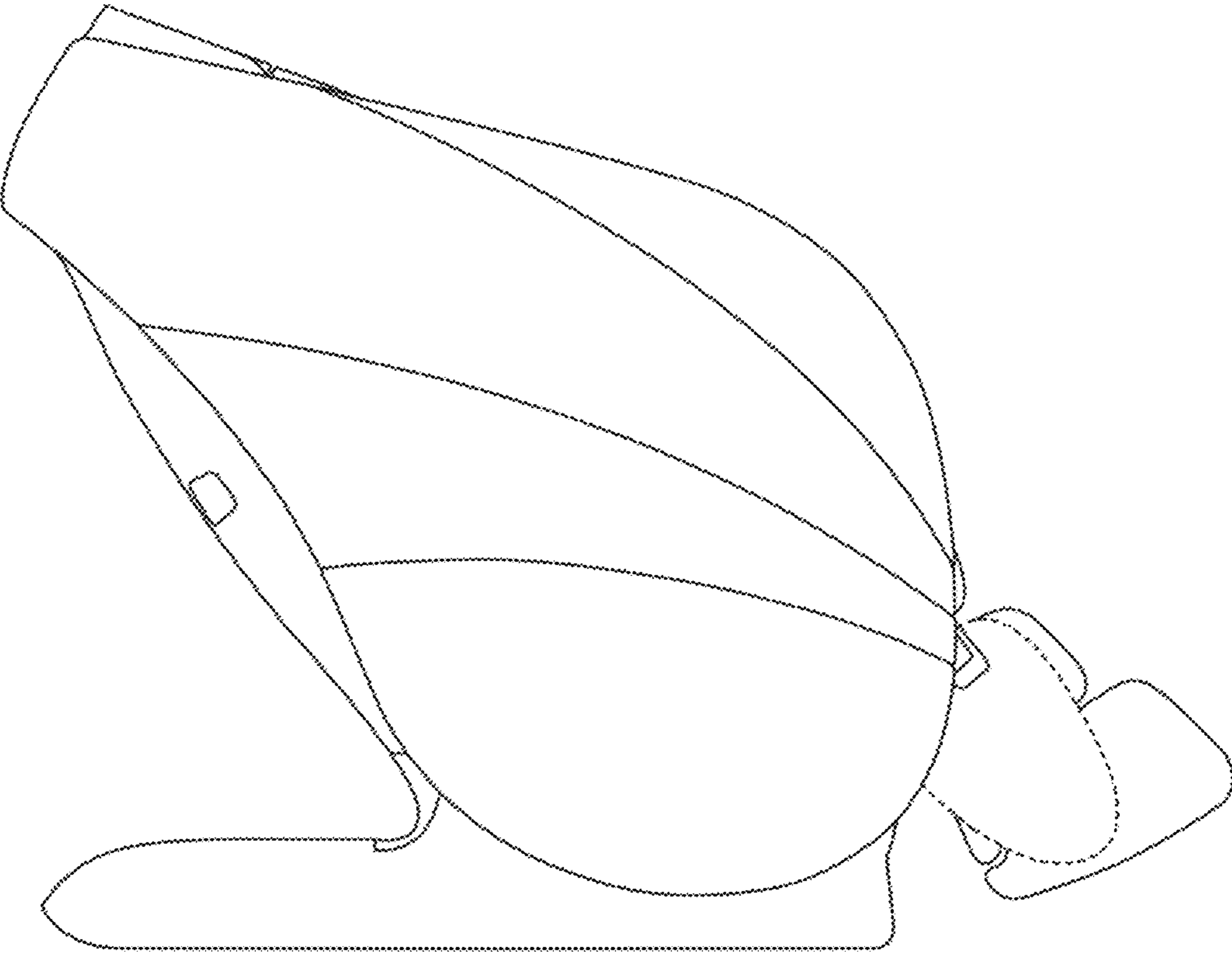


FIG. 6

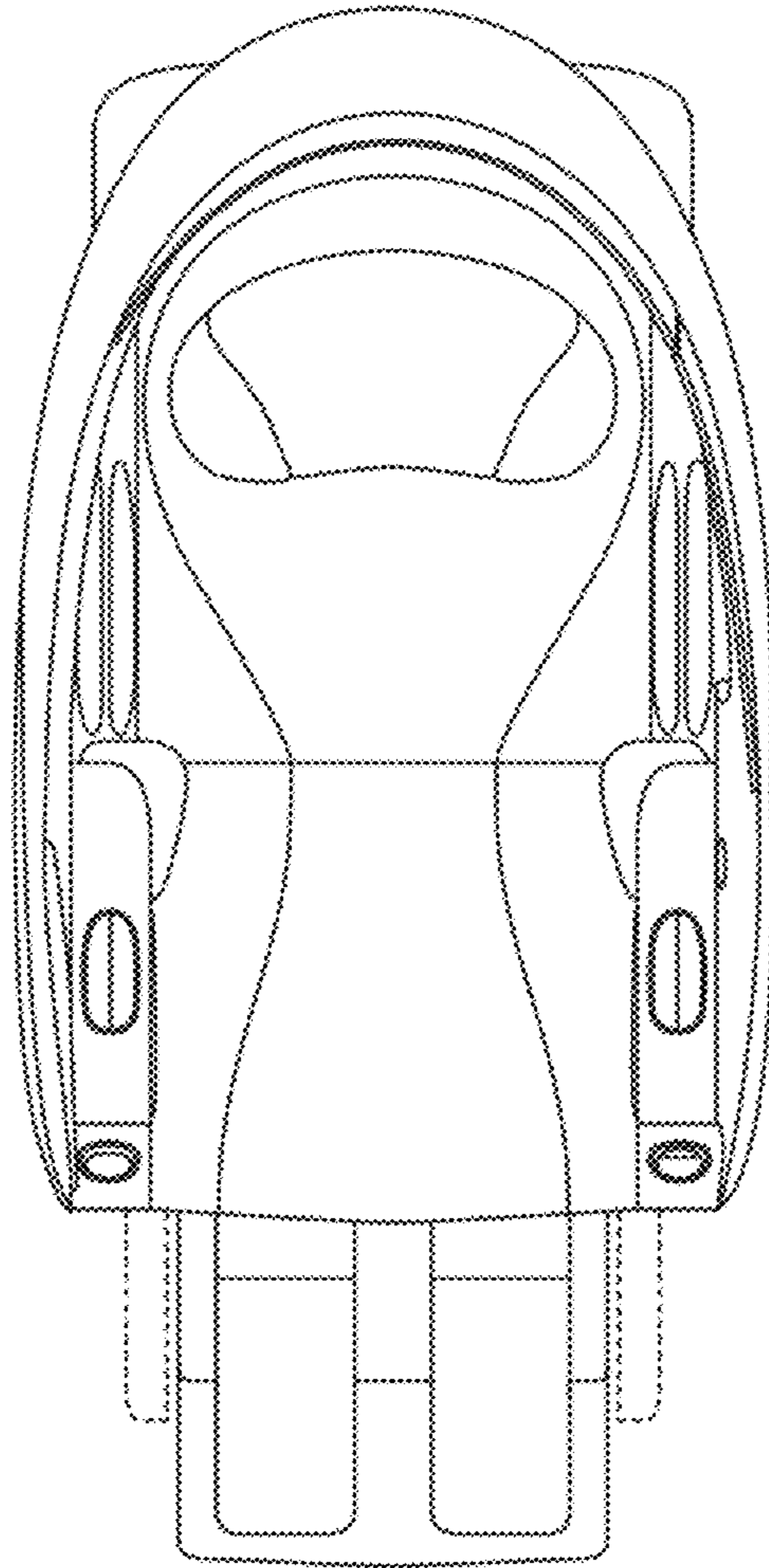


FIG. 7

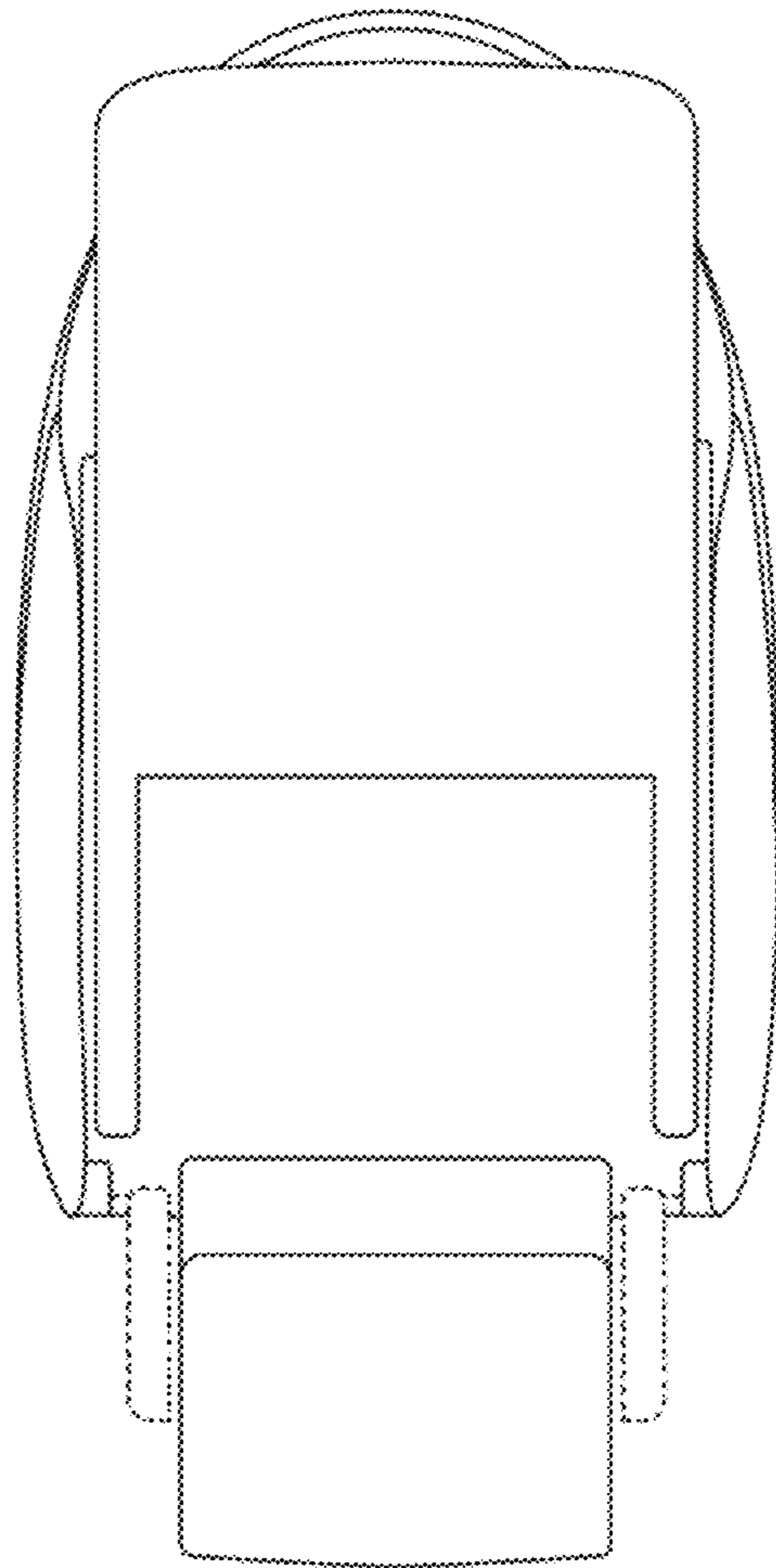


FIG. 8

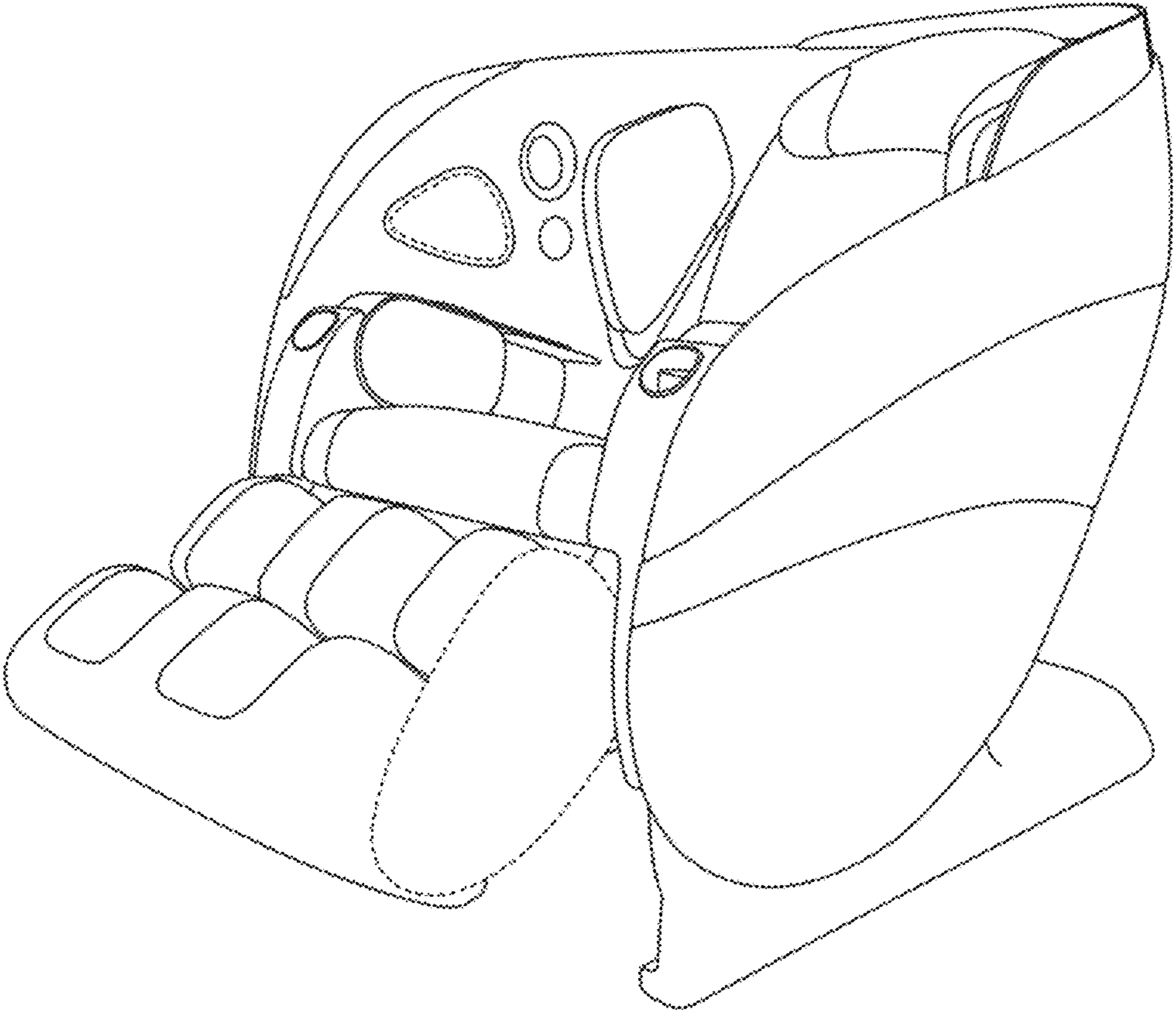


FIG. 9

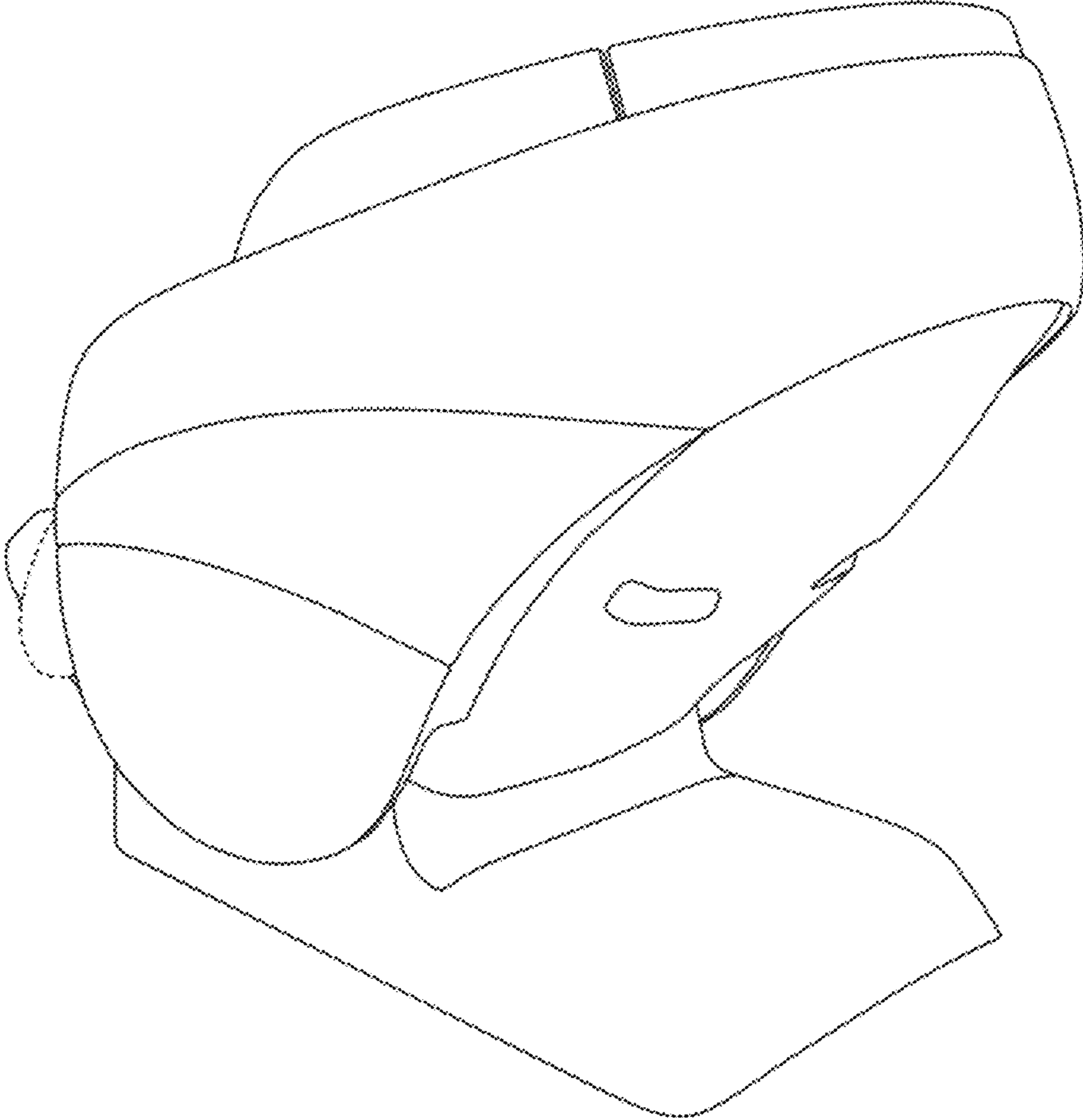


FIG. 10