

US00D933385S

(12) **United States Design Patent**
Welling

(10) **Patent No.:** **US D933,385 S**

(45) **Date of Patent:** **** Oct. 19, 2021**

(54) **CHAIR**
(71) Applicant: **HAY APS**, Horsens (DK)
(72) Inventor: **Jørgen Hee Welling**, Copenhagen NV (DK)
(73) Assignee: **HAY APS**, Horsens (DK)
(**) Term: **15 Years**

3,574,400 A * 4/1971 Day A47C 3/12
297/452.14
D586,135 S * 2/2009 Lievore D6/366
D798,617 S * 10/2017 Iqbal D6/334
D815,449 S * 4/2018 Hannoosh D6/374
D836,360 S * 12/2018 Novak D6/375
D880,173 S * 4/2020 Killinger D6/334
D886,485 S * 6/2020 Li D6/375
D892,525 S * 8/2020 Killinger D6/716
D920,694 S * 6/2021 Li D6/366
D921,385 S * 6/2021 Li D6/366
D924,585 S * 7/2021 Li D6/366

(21) Appl. No.: **29/711,328**
(22) Filed: **Oct. 30, 2019**

(30) **Foreign Application Priority Data**
May 21, 2019 (CN) 201930250791.7
(51) **LOC (13) Cl.** **06-01**
(52) **U.S. Cl.**
USPC **D6/366**
(58) **Field of Classification Search**
USPC D6/334, 365, 366, 369, 375, 379, 380,
D6/716, 716.4
CPC A47C 3/12; A47C 3/18; A47C 3/20; A47C
5/02; A47C 5/12; A47C 7/24; A47C 7/36;
A47C 7/46
See application file for complete search history.

(56) **References Cited**
U.S. PATENT DOCUMENTS
2,831,534 A * 4/1958 Herbert A47C 5/12
297/411.41
D205,939 S * 10/1966 Laverne D6/375
3,281,185 A * 10/1966 Albinson A47C 7/185
297/452.14
3,408,106 A * 10/1968 Bolling A47C 5/12
297/452.14
3,521,929 A * 7/1970 Pearson A47C 7/02
297/452.14

OTHER PUBLICATIONS

Hay ApS, "About A Lounge Chair / AAL 81, Product Facts", Prior to May 21, 2018.
Hay ApS, "About A Lounge Chair / AAL 82, Product Facts", Prior to May 21, 2018.
Hay ApS, "About A Lounge Chair / AAL 83, Product Facts", Prior to May 21, 2018.

(Continued)

Primary Examiner — R. Johnson
(74) *Attorney, Agent, or Firm* — Cantor Colburn LLP

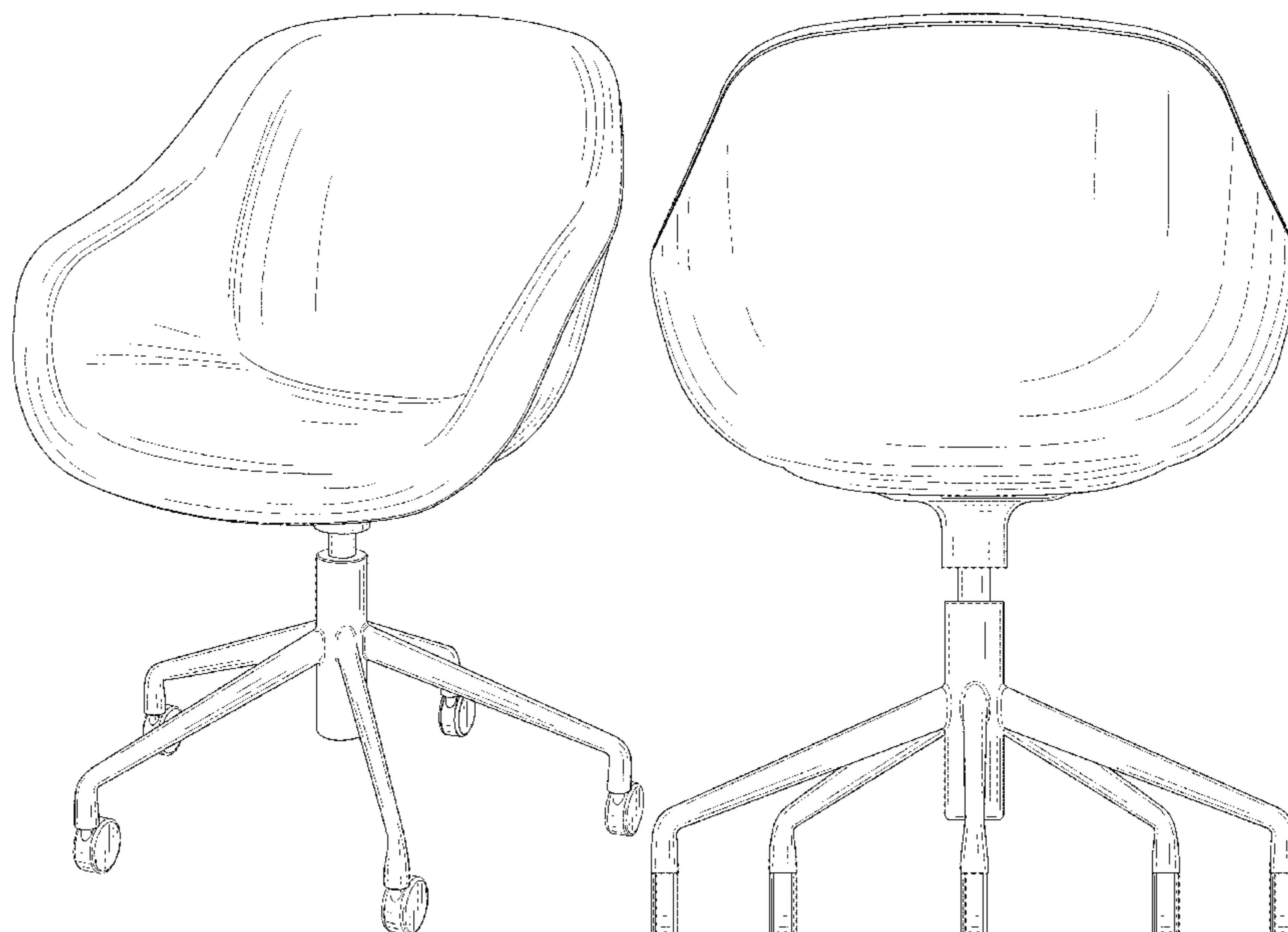
(57) **CLAIM**

I claim, the ornamental design for a chair, as shown and described.

DESCRIPTION

FIG. 1 is a perspective view of a chair, showing my new design;
FIG. 2 is a front view thereof;
FIG. 3 is a rear view thereof;
FIG. 4 is a side view thereof;
FIG. 5 is an opposite side view thereof;
FIG. 6 is a top view thereof; and,
FIG. 7 is a bottom view thereof.

1 Claim, 7 Drawing Sheets



(56)

References Cited

OTHER PUBLICATIONS

Hay ApS, "About A Lounge Chair / AAL 91, Product Facts", Prior to May 21, 2018.

Hay ApS, "About A Lounge Chair / AAL 92, Product Facts", Prior to May 21, 2018.

Hay ApS, "About A Lounge Chair / AAL 93", Product Facts, Prior to May 21, 2018.

Hay ApS, "About A Lounge Sofa / AAL Sofa, Product Facts", Prior to May 21, 2018.

Hay ApS, "About a Lounge Chair/AAL 82, AAL92", Prior to May 21, 2018. (Image).

Hay ApS, "About a Lounge Collection / AAL 83, AAL91, AAL93, AAL Sofa", Prior to May 21, 2018. (Image).

Hay APS, "About A Lounge Chair, AAL 81", Prior to May 21, 2018.

* cited by examiner



FIG. 1

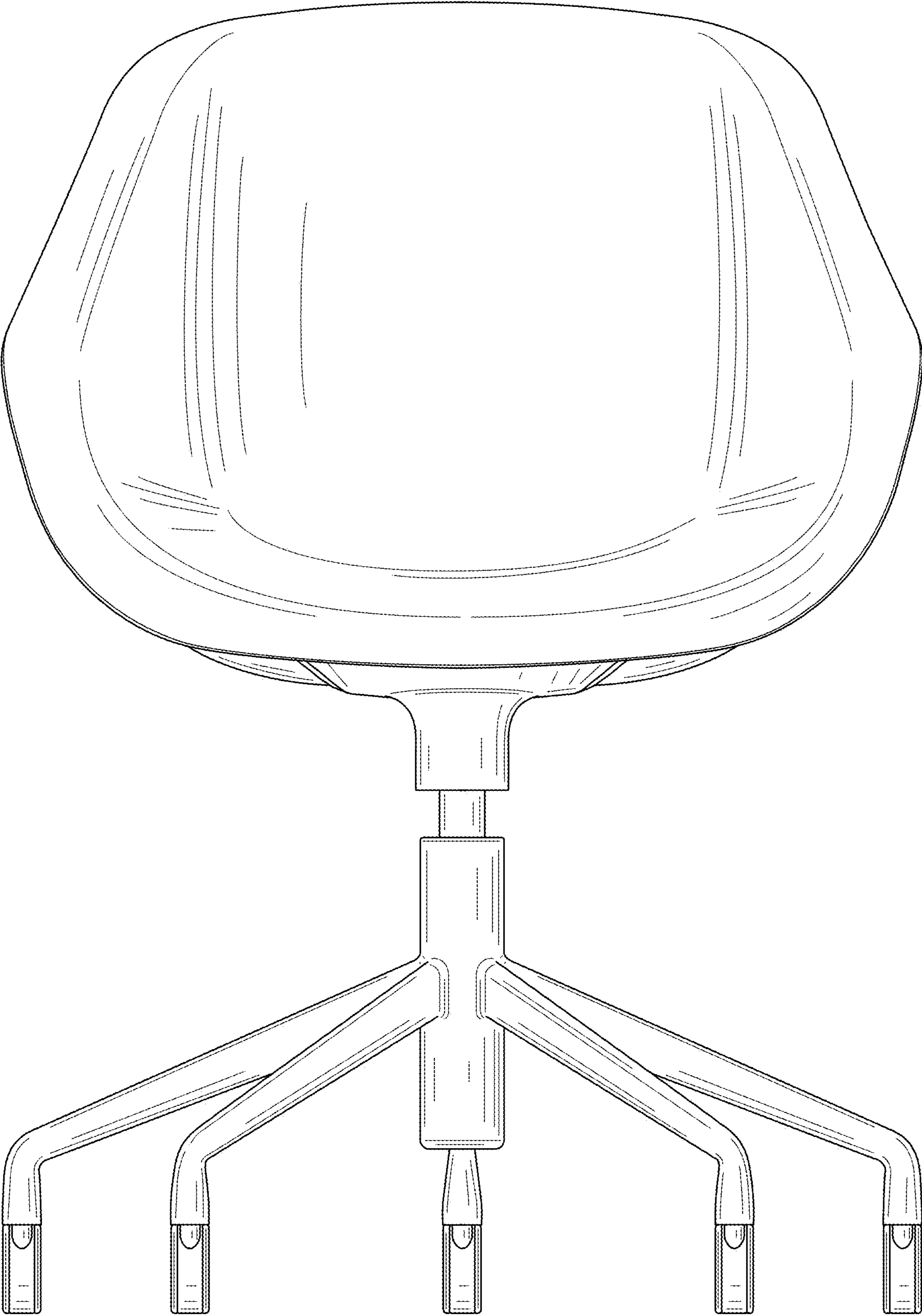


FIG. 2

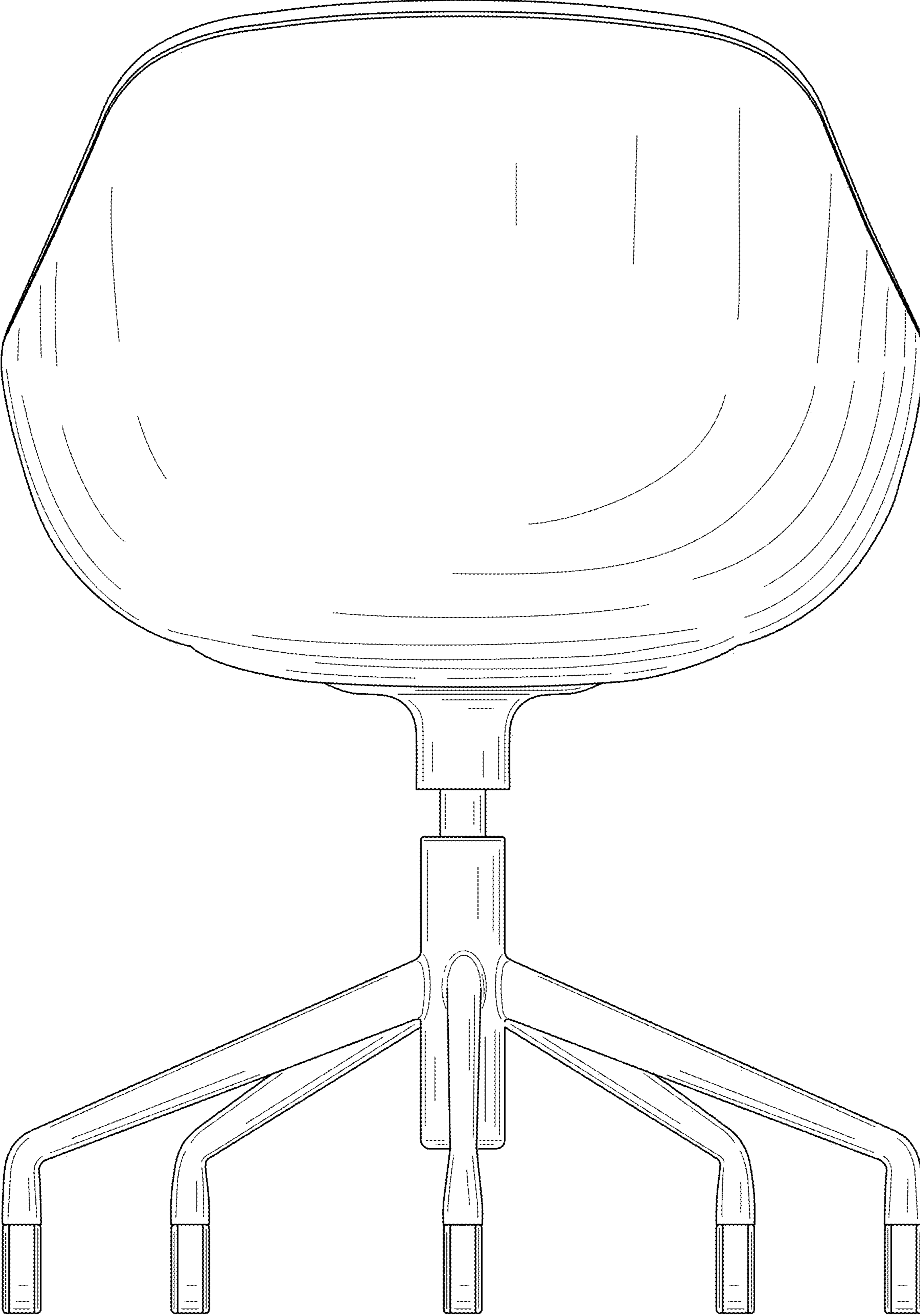


FIG. 3



FIG. 4



FIG. 5

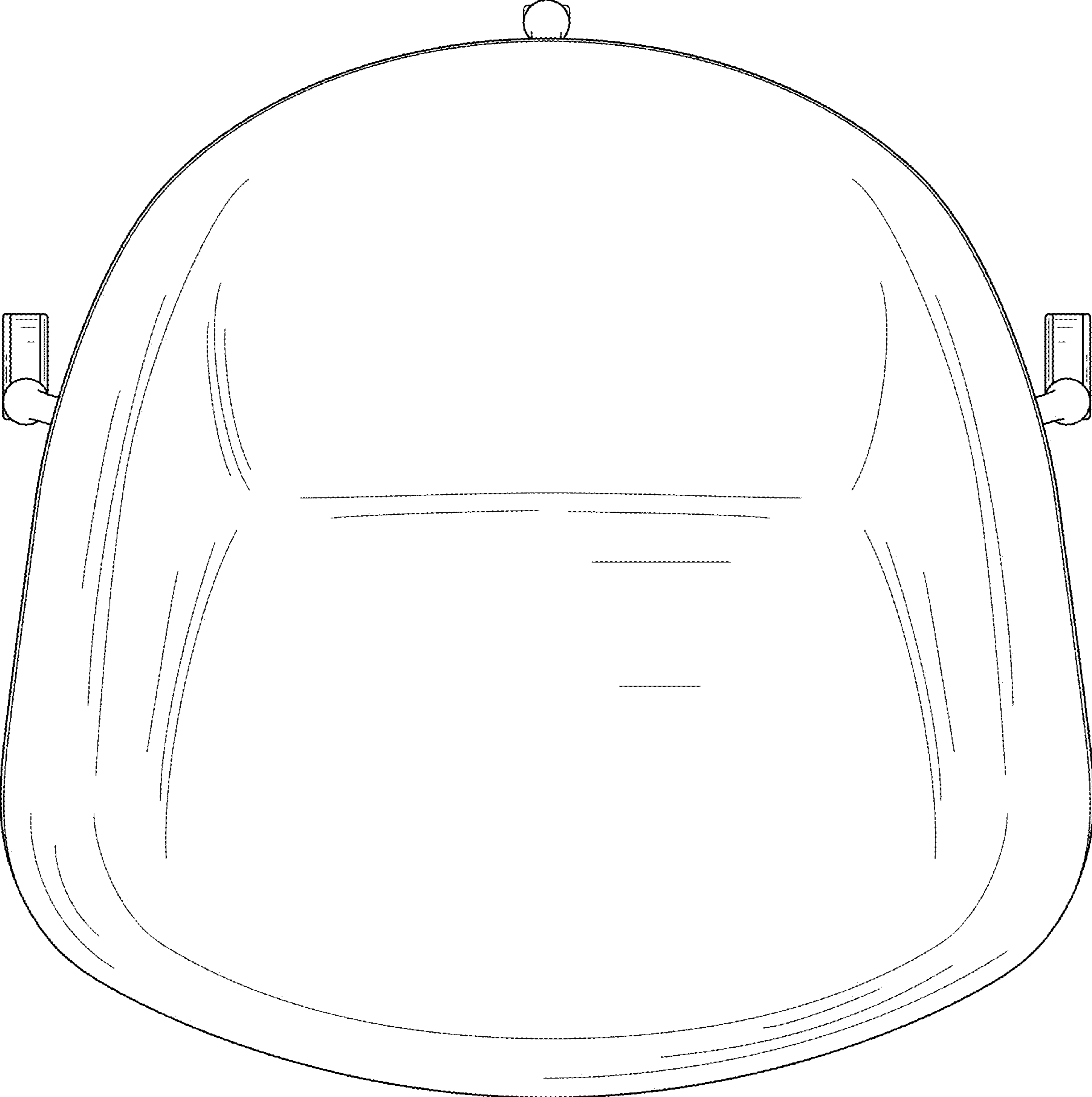


FIG. 6

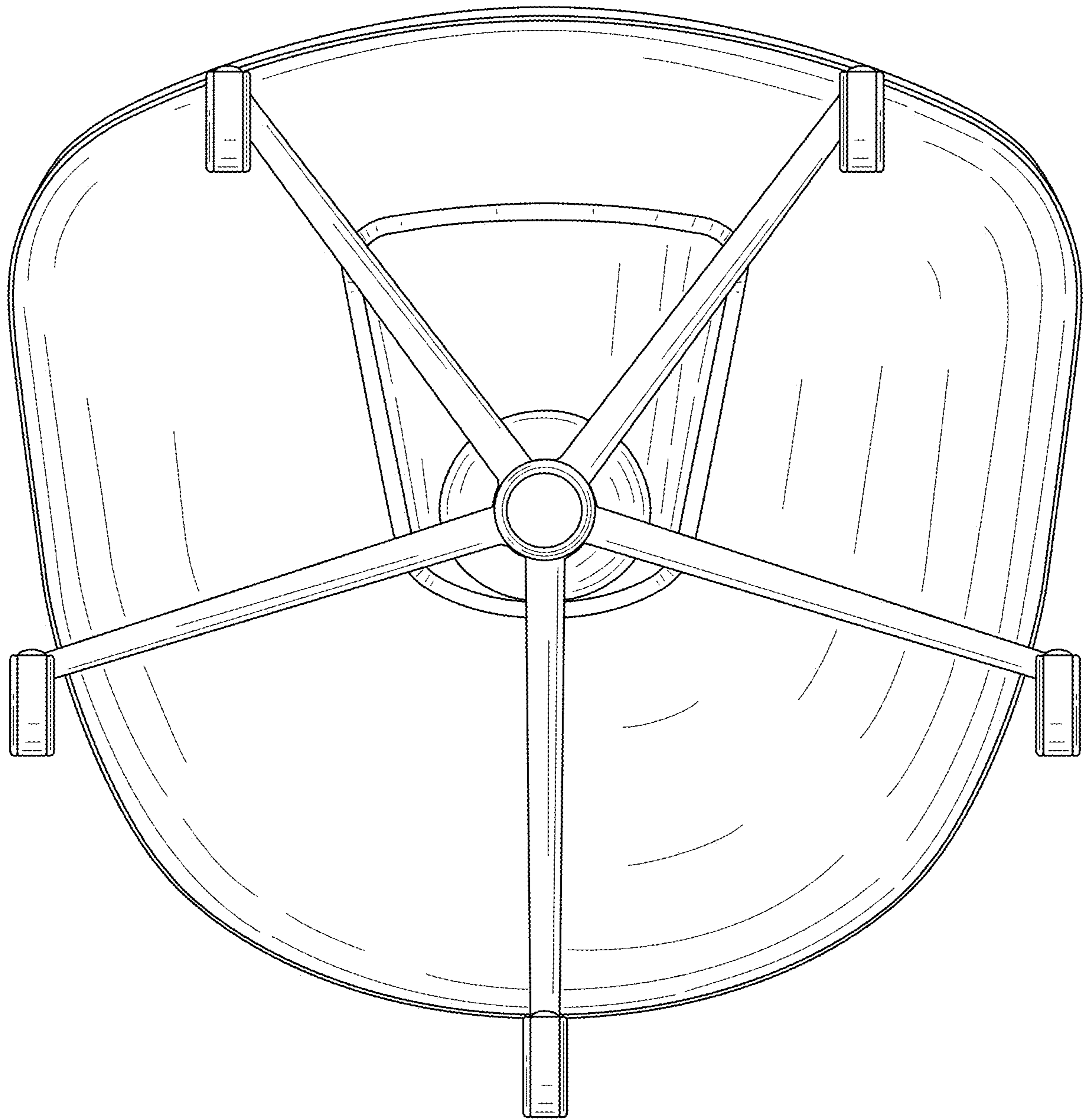


FIG. 7