



US00D933383S

(12) **United States Design Patent**  
**Wang**

(10) **Patent No.:** **US D933,383 S**

(45) **Date of Patent:** **\*\* Oct. 19, 2021**

(54) **CHAIR**

(71) Applicant: **Yan Wang**, Zaoyang (CN)

(72) Inventor: **Yan Wang**, Zaoyang (CN)

(\*\*) Term: **15 Years**

(21) Appl. No.: **29/780,385**

(22) Filed: **Apr. 23, 2021**

(51) **LOC (13) Cl.** ..... **06-01**

(52) **U.S. Cl.**  
USPC ..... **D6/360; D6/375**

(58) **Field of Classification Search**  
USPC ..... D6/334-336, 360, 364, 365, 366, 367,  
D6/374, 375, 708.17, 708.18, 716, 716.1,  
D6/716.4

CPC ..... A47C 4/028; A47C 7/002; A47C 7/004;  
A47C 7/006; A47C 7/18; A47C 7/24;  
A47C 9/007; A47C 9/02; A47C 3/20

See application file for complete search history.

(56) **References Cited**

**U.S. PATENT DOCUMENTS**

|           |     |         |             |       |                         |
|-----------|-----|---------|-------------|-------|-------------------------|
| 3,643,905 | A * | 2/1972  | Kint        | ..... | A47C 7/004<br>248/345.1 |
| D238,031  | S * | 12/1975 | Welton      | ..... | D6/375                  |
| D240,679  | S * | 7/1976  | Bernard     | ..... | D6/366                  |
| D486,313  | S * | 2/2004  | Manzali     | ..... | D6/360                  |
| D573,379  | S * | 7/2008  | Muller      | ..... | D6/716                  |
| D605,880  | S * | 12/2009 | Muller      | ..... | D6/360                  |
| D621,631  | S * | 8/2010  | Li          | ..... | D6/360                  |
| D654,728  | S * | 2/2012  | Gasser      | ..... | D6/708.17               |
| D688,481  | S * | 8/2013  | Lee         | ..... | D6/360                  |
| D741,073  | S   | 10/2015 | Keen et al. |       |                         |
| D742,128  | S * | 11/2015 | Mick        | ..... | D6/360                  |

|          |     |        |               |              |
|----------|-----|--------|---------------|--------------|
| D846,930 | S   | 4/2019 | Patton et al. |              |
| D896,539 | S   | 9/2020 | Kumazawa      |              |
| D907,938 | S * | 1/2021 | Du            | ..... D6/375 |

**OTHER PUBLICATIONS**

Square Swivel Adjustable Height Bar Stools, from homekoko.com, Retrieved Date: Sep. 8, 2021, p. 1, from [https://www.homekoko.com/products/square-swivel-adjustable-height-bar-stools?currency=USD&variant=37814285828296&utm\\_medium=cpc&utm\\_source=google&utm\\_campaign=Google%20Shopping&gclid=EAlalQobChMz5zm6rw8gIVHMmUCR3FJAEkEAQYHyABEgl7N\\_D\\_BwE](https://www.homekoko.com/products/square-swivel-adjustable-height-bar-stools?currency=USD&variant=37814285828296&utm_medium=cpc&utm_source=google&utm_campaign=Google%20Shopping&gclid=EAlalQobChMz5zm6rw8gIVHMmUCR3FJAEkEAQYHyABEgl7N_D_BwE) (Year: 2021).\*

\* cited by examiner

*Primary Examiner* — Mimosa De  
(74) *Attorney, Agent, or Firm* — Jinggao Li

(57) **CLAIM**

The ornamental design for chair, as shown and described.

**DESCRIPTION**

FIG. 1 is a perspective view of a chair showing my new design;  
FIG. 2 is a front view thereof;  
FIG. 3 is a rear view thereof;  
FIG. 4 is a right side view thereof;  
FIG. 5 is a left side view thereof;  
FIG. 6 is a bottom plan view thereof;  
FIG. 7 is a top plan view thereof; and,  
FIG. 8 is a perspective view thereof in a use state.  
The broken lines depict portions of the chair and form no part of the claimed design.

**1 Claim, 8 Drawing Sheets**

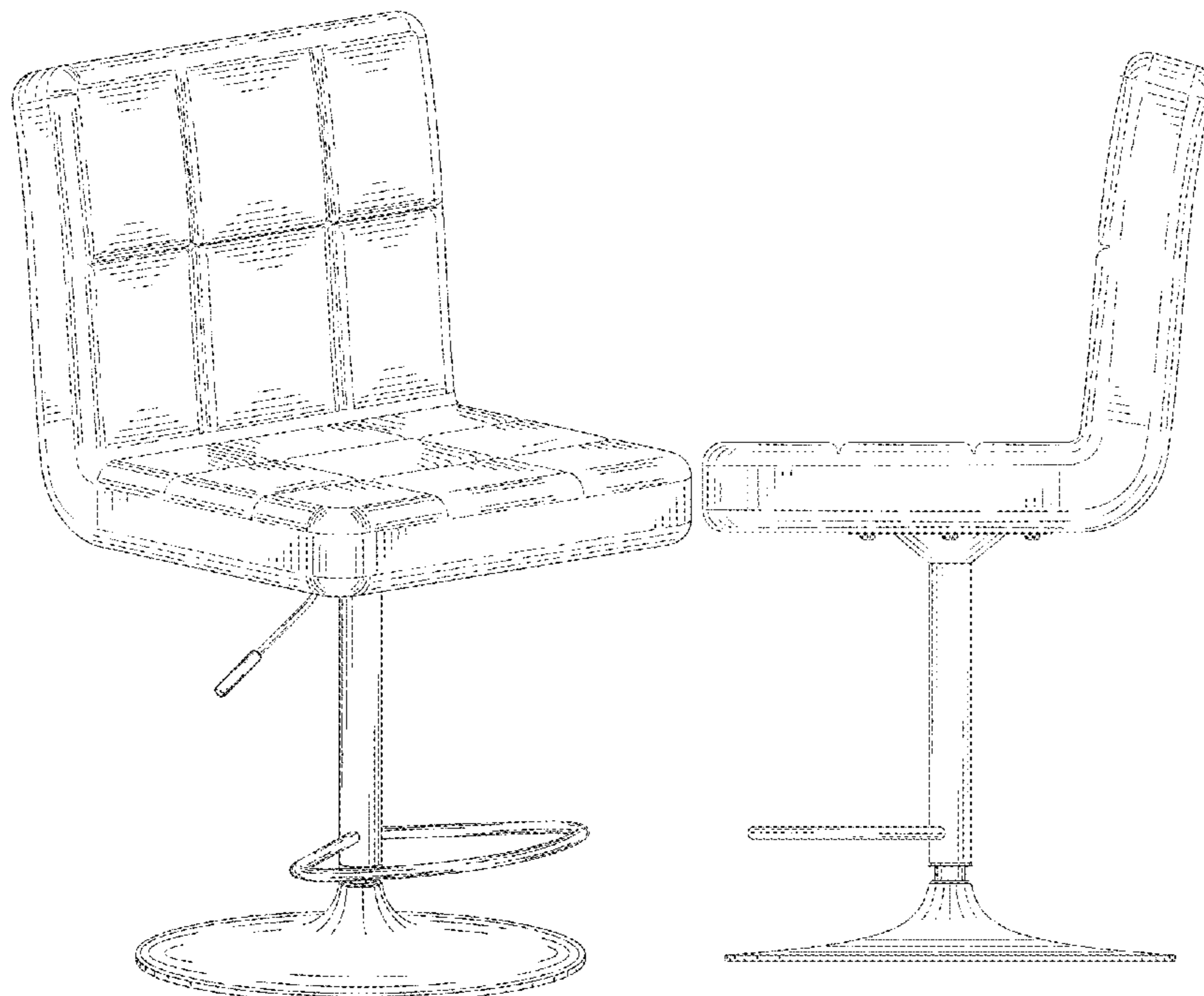




FIG. 1

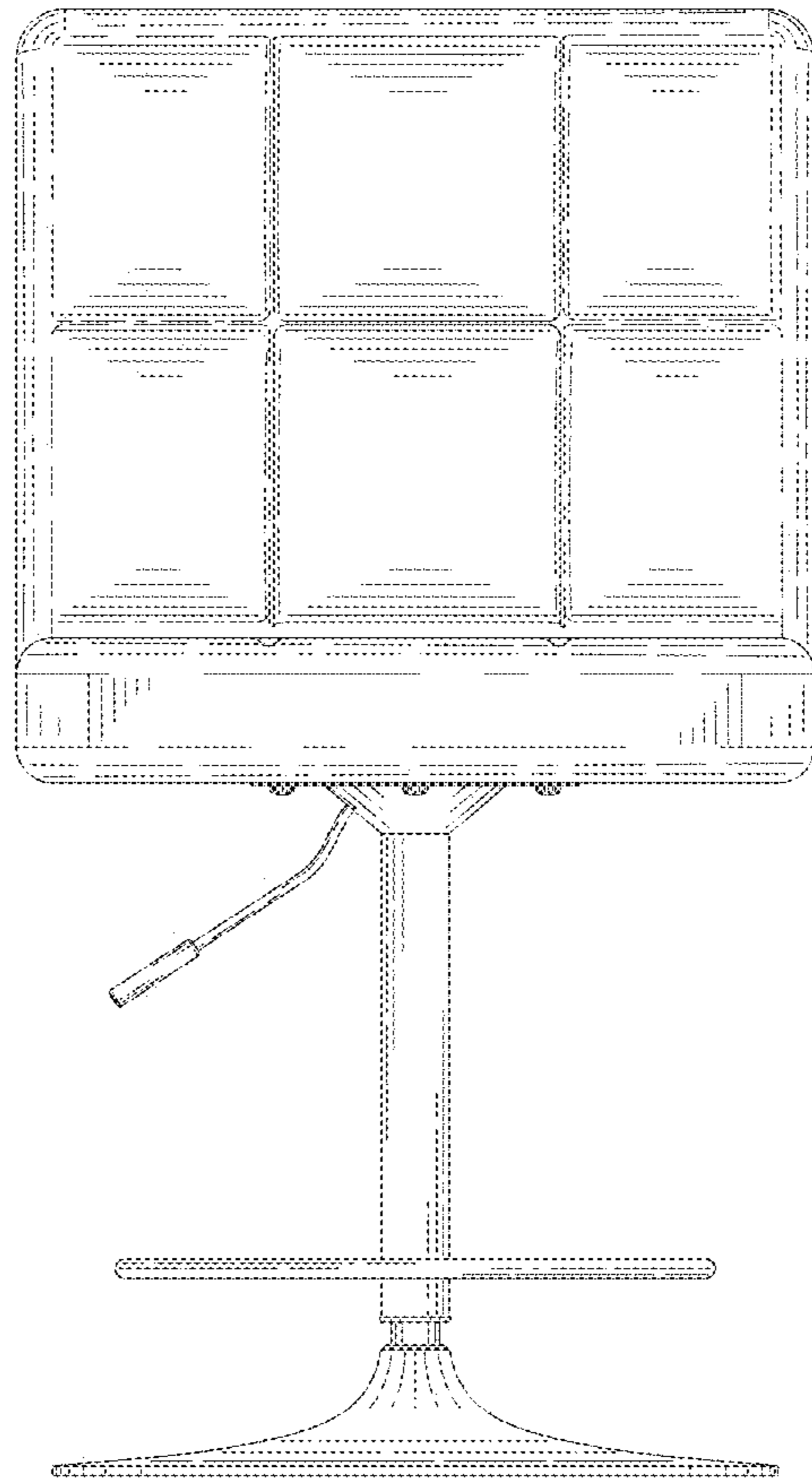


FIG. 2

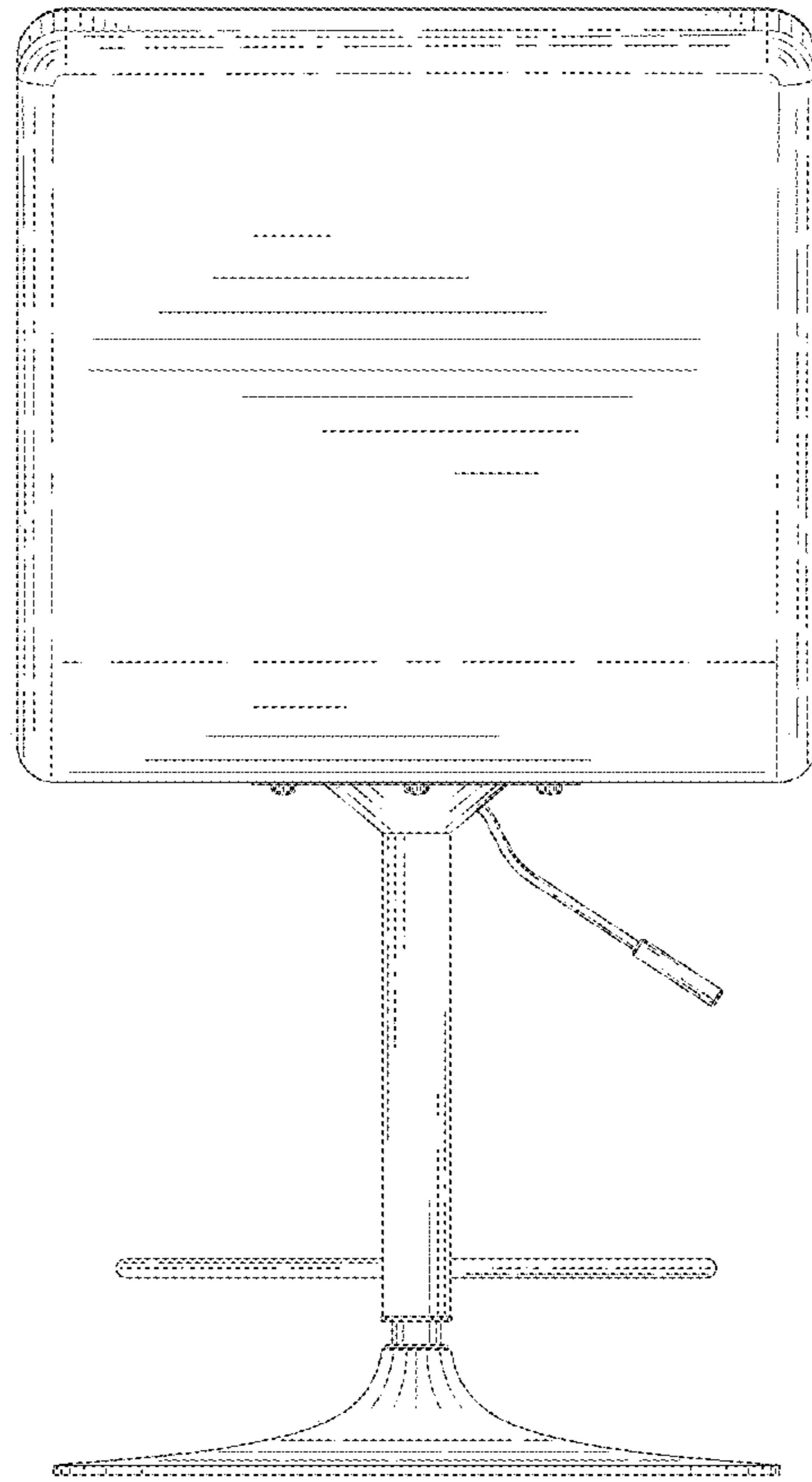


FIG. 3

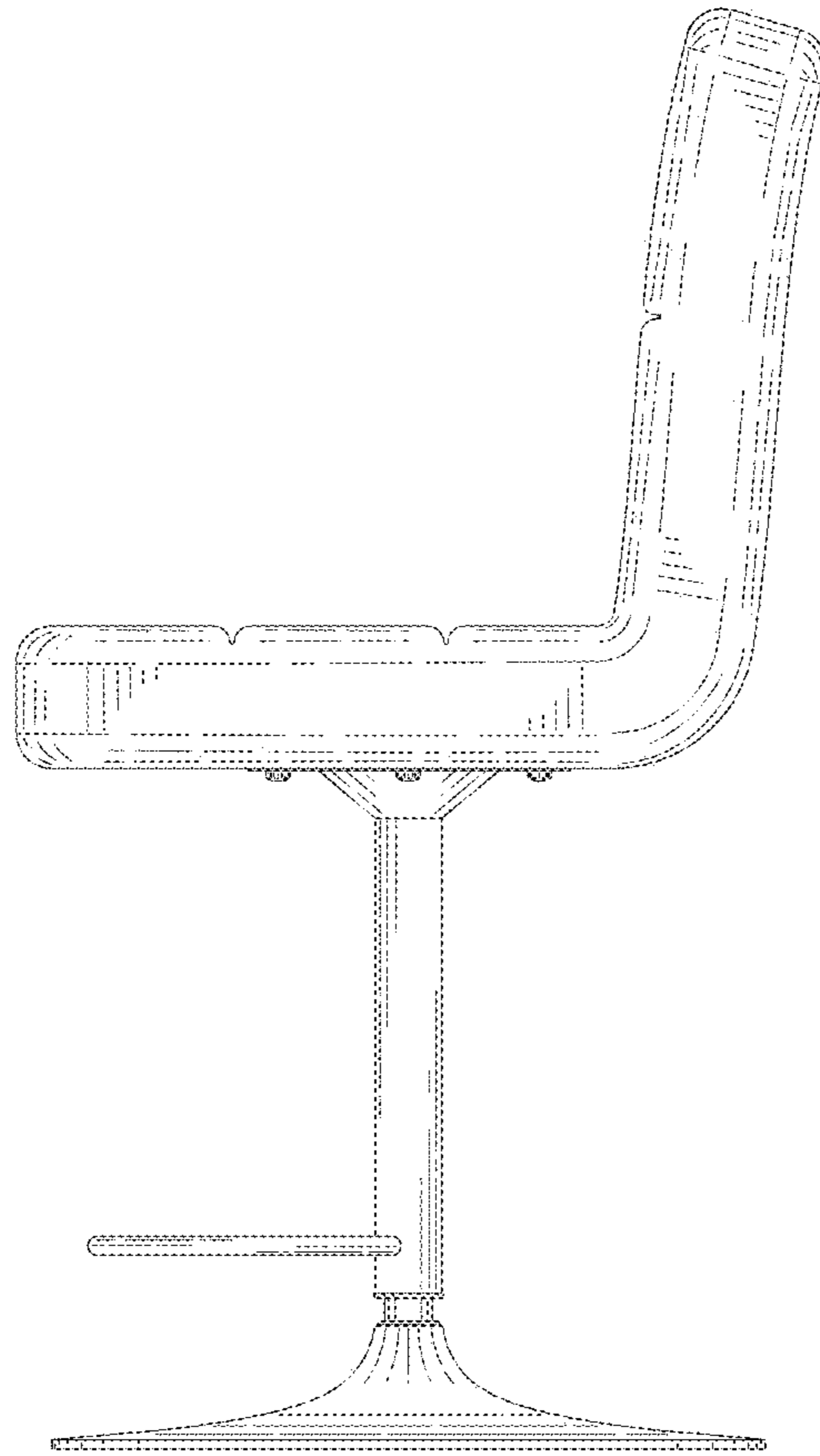


FIG. 4

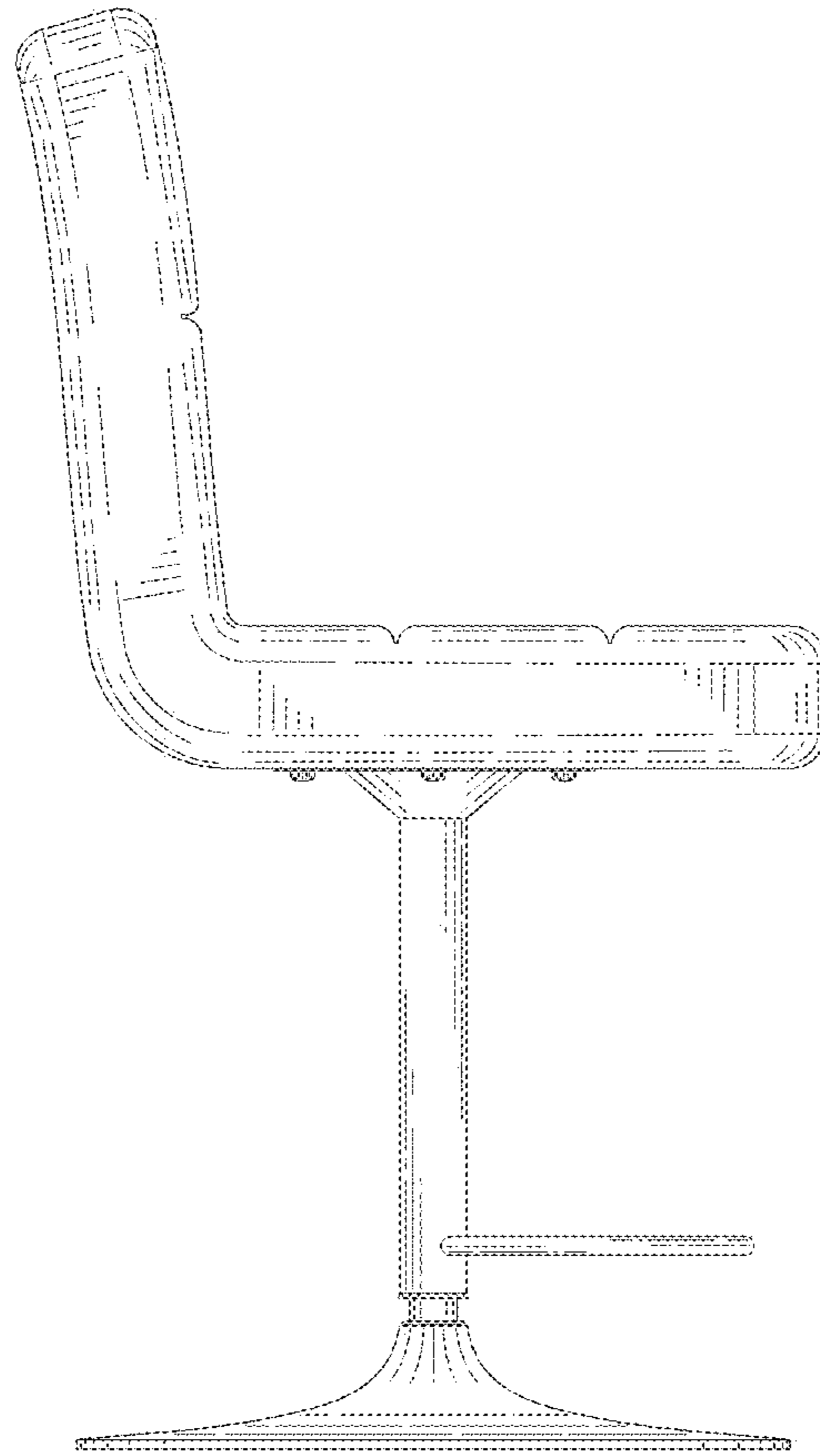


FIG. 5

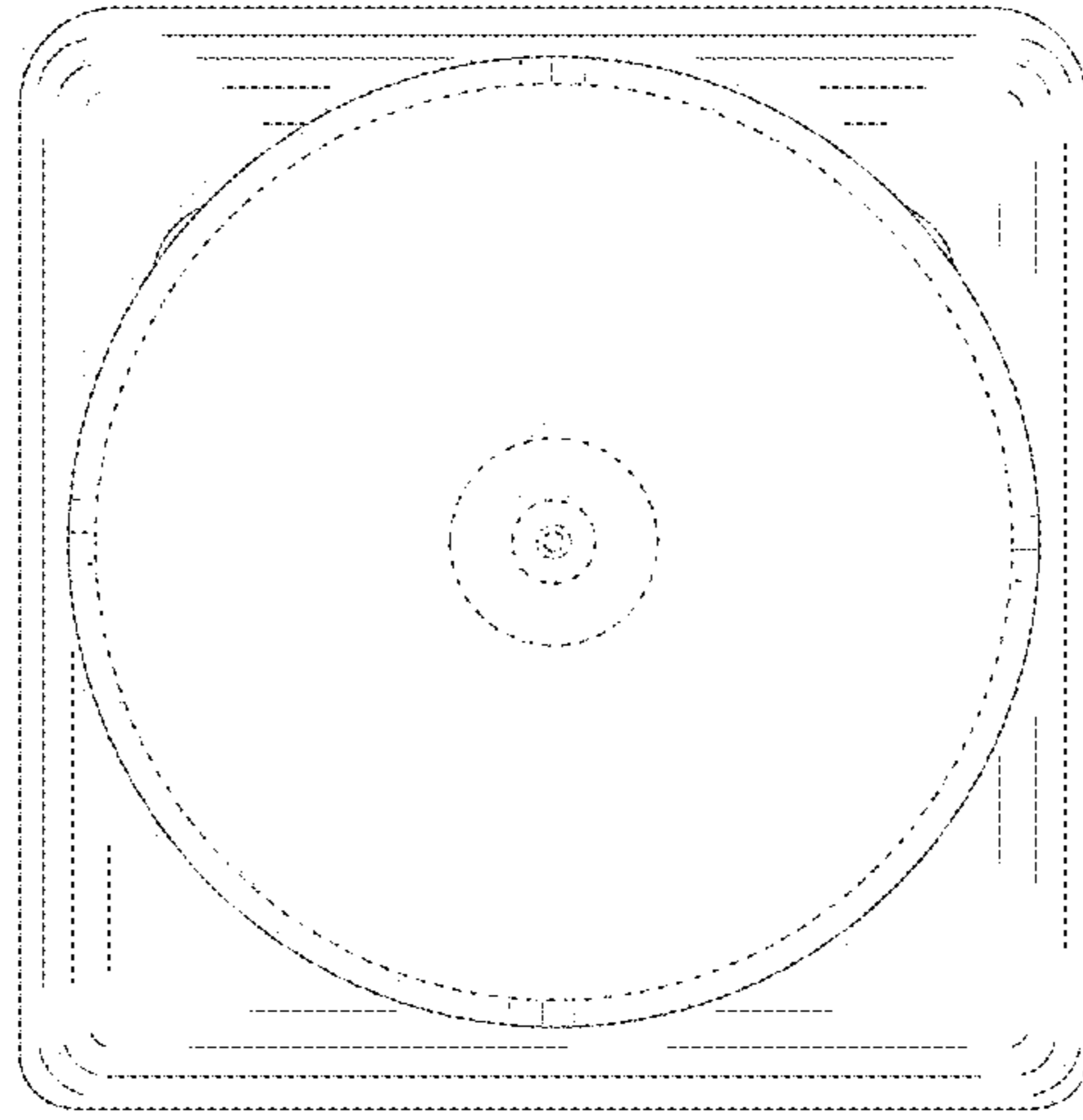


FIG. 6

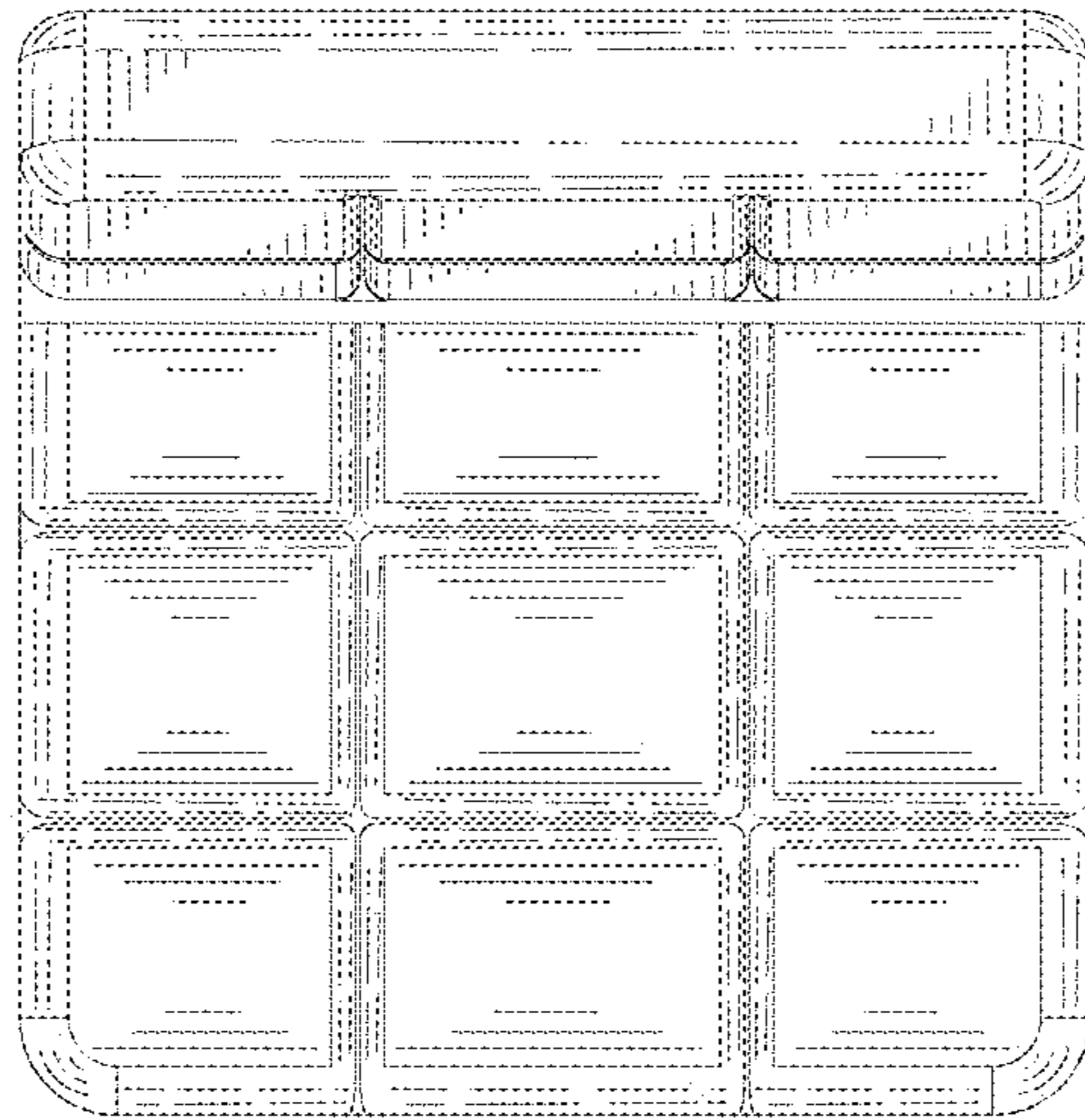


FIG. 7



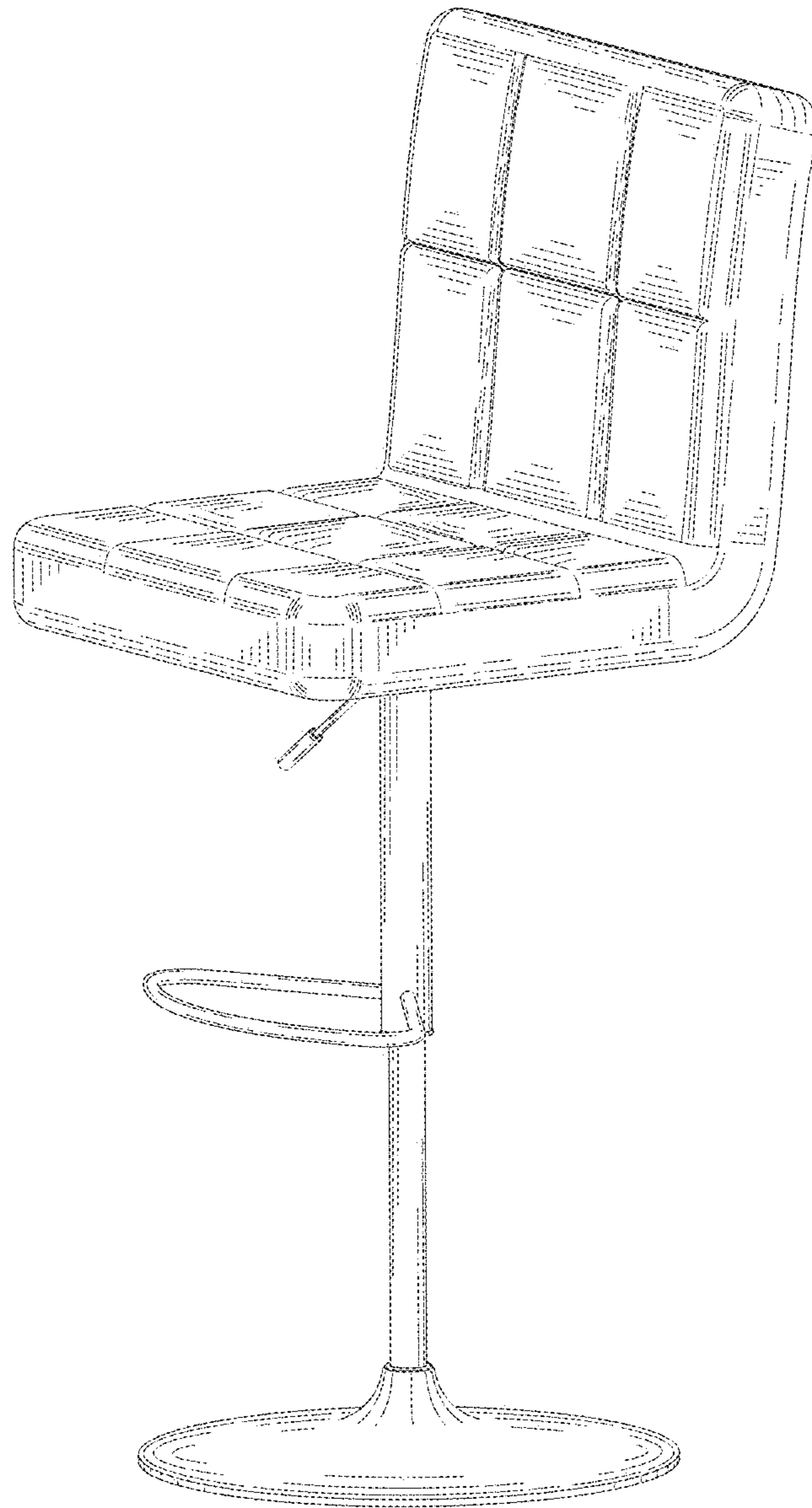


FIG. 8