



US00D933382S

(12) **United States Design Patent**
Dedrick

(10) **Patent No.:** **US D933,382 S**

(45) **Date of Patent:** **** Oct. 19, 2021**

(54) **FOOT REST**

(71) Applicant: **Ted Randall Dedrick**, Encinitas, CA
(US)

(72) Inventor: **Ted Randall Dedrick**, Encinitas, CA
(US)

(**) Term: **15 Years**

(21) Appl. No.: **29/742,357**

(22) Filed: **Oct. 19, 2020**

(51) **LOC (13) Cl.** **06-01**

(52) **U.S. Cl.**
USPC **D6/349**

(58) **Field of Classification Search**
USPC D6/349-353, 334, 354-355, 370, 716.6
CPC A47C 16/02-04
See application file for complete search history.

(56) **References Cited**

U.S. PATENT DOCUMENTS

D221,072 S *	7/1971	Arenhold	D6/349
4,979,240 A *	12/1990	Welles	A47K 17/00 4/254
D431,052 S *	9/2000	Wilcox	D21/392
D745,286 S *	12/2015	Thibault	D6/349
D787,847 S *	5/2017	Naik	D6/353
9,677,704 B1 *	6/2017	Thelen	F16M 11/22
D804,202 S *	12/2017	Proctor	D6/349
D804,203 S *	12/2017	Beldramme	D6/349

D808,672 S *	1/2018	Goetz	D6/349
D815,847 S *	4/2018	Vincent	D6/349
D837,544 S *	1/2019	Comtois	D6/349
D839,009 S *	1/2019	Garbus	D6/349
D839,034 S *	1/2019	Woods	D6/716.4
D874,169 S *	2/2020	Proctor	D6/349
D895,310 S *	9/2020	Nguyen	D6/349

OTHER PUBLICATIONS

Tushy Ottoman, [online] Retrieved Dec. 11, 2020 from URL:
https://hellotushy.com/products/tushy-ottoman-toilet-stool.*

* cited by examiner

Primary Examiner — Vy N Koenig

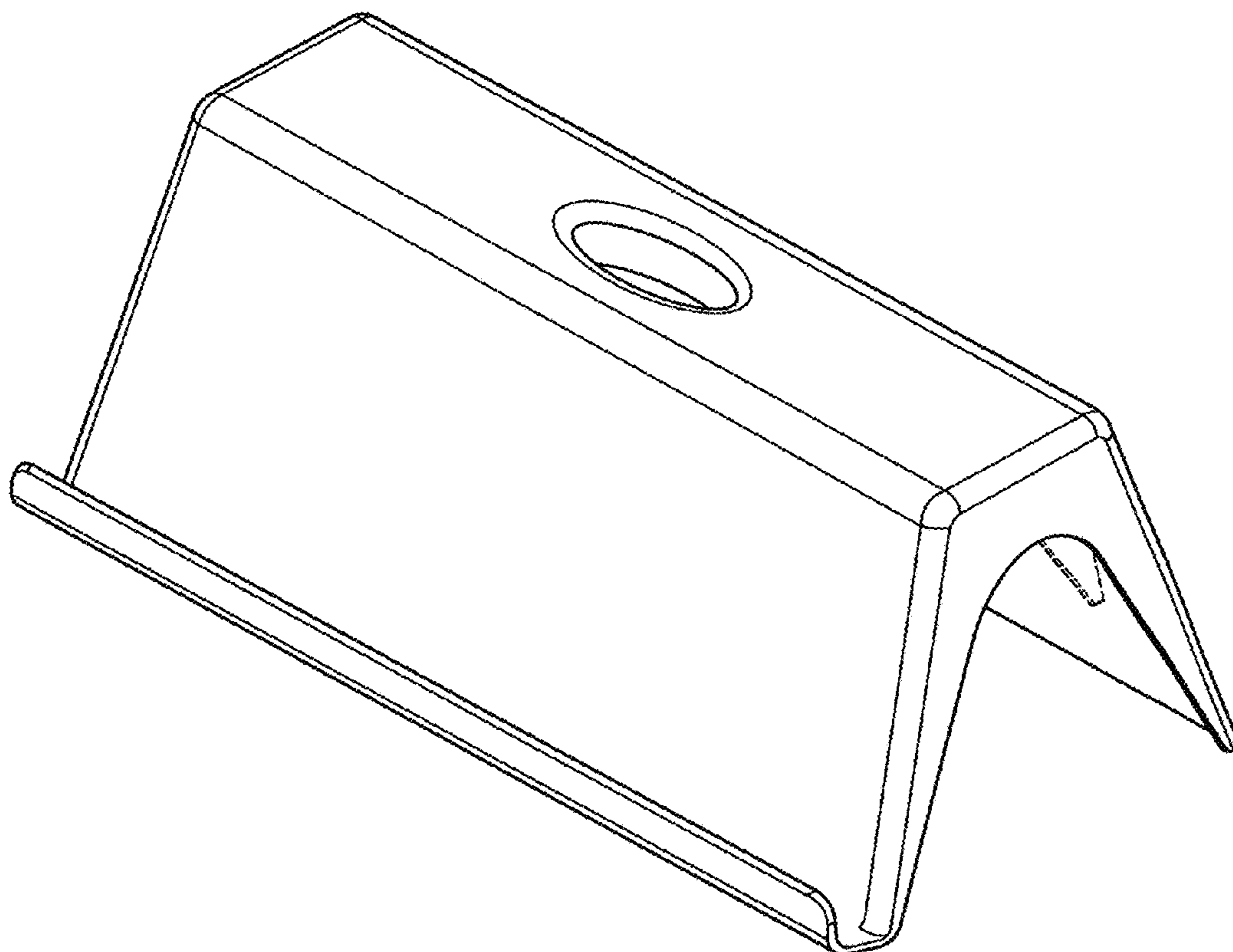
(57) **CLAIM**

The ornamental design for a foot rest, as shown and described.

DESCRIPTION

FIG. 1 is a top perspective view of a foot rest showing my new design;
FIG. 2 is a right side elevational view thereof, the left side elevational view being a mirror image thereof;
FIG. 3 is a bottom plan view thereof;
FIG. 4 is a top plan view thereof;
FIG. 5 is a back elevational view thereof; and,
FIG. 6 is a front elevational view thereof.
The broken lines in the drawings depict portions of the foot rest that form no part of the claimed design.

1 Claim, 3 Drawing Sheets



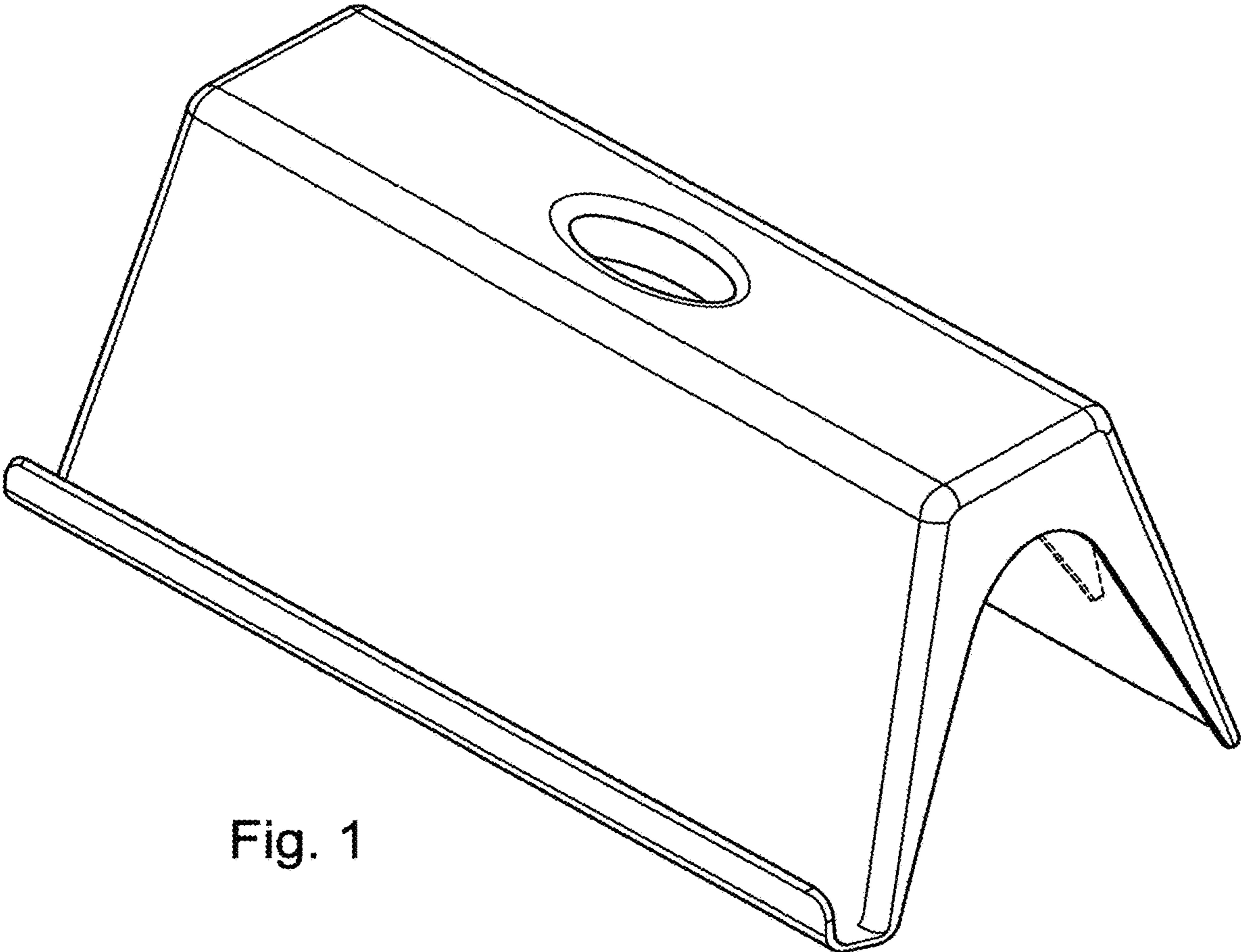


Fig. 1

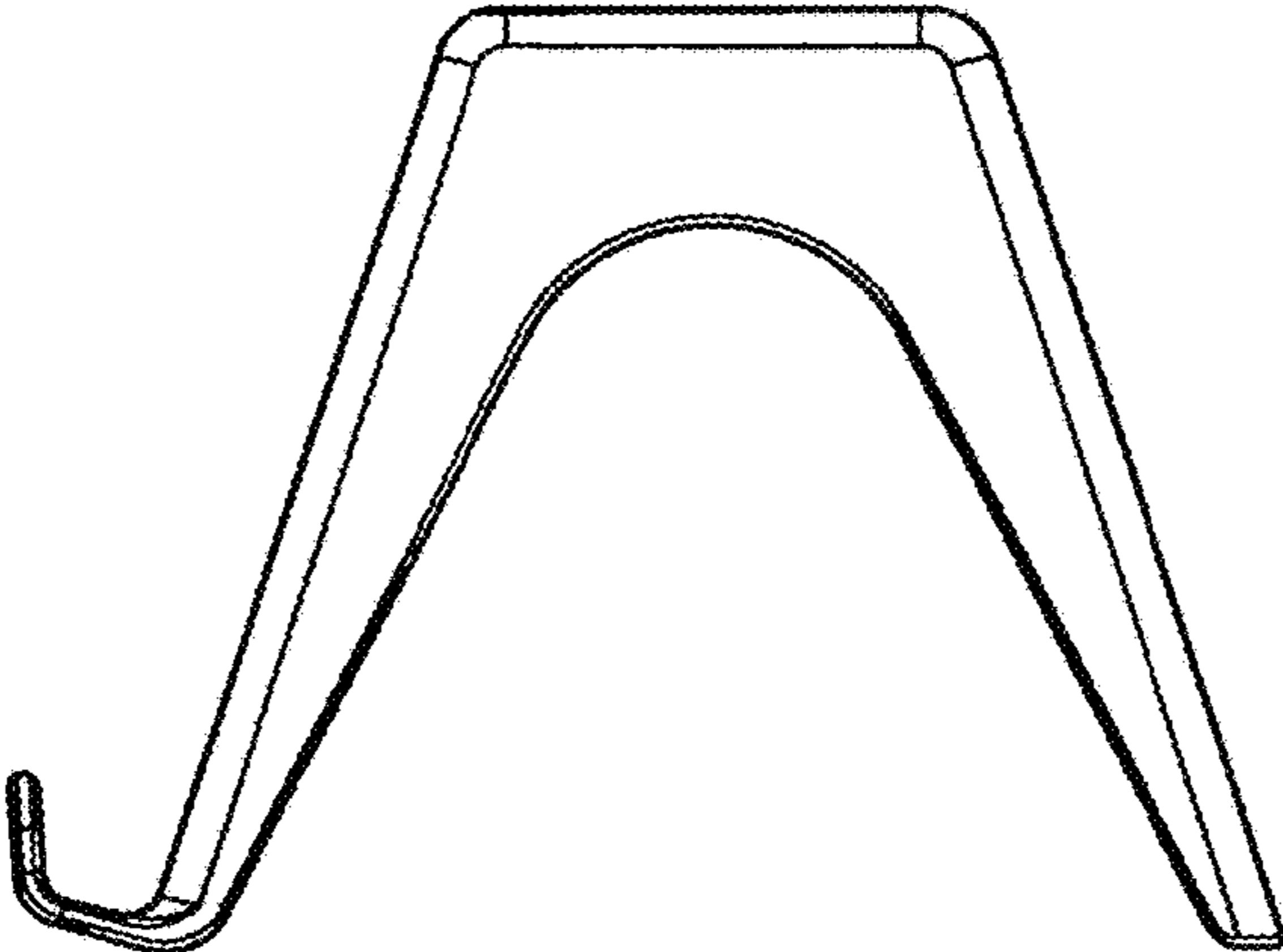


Fig. 2

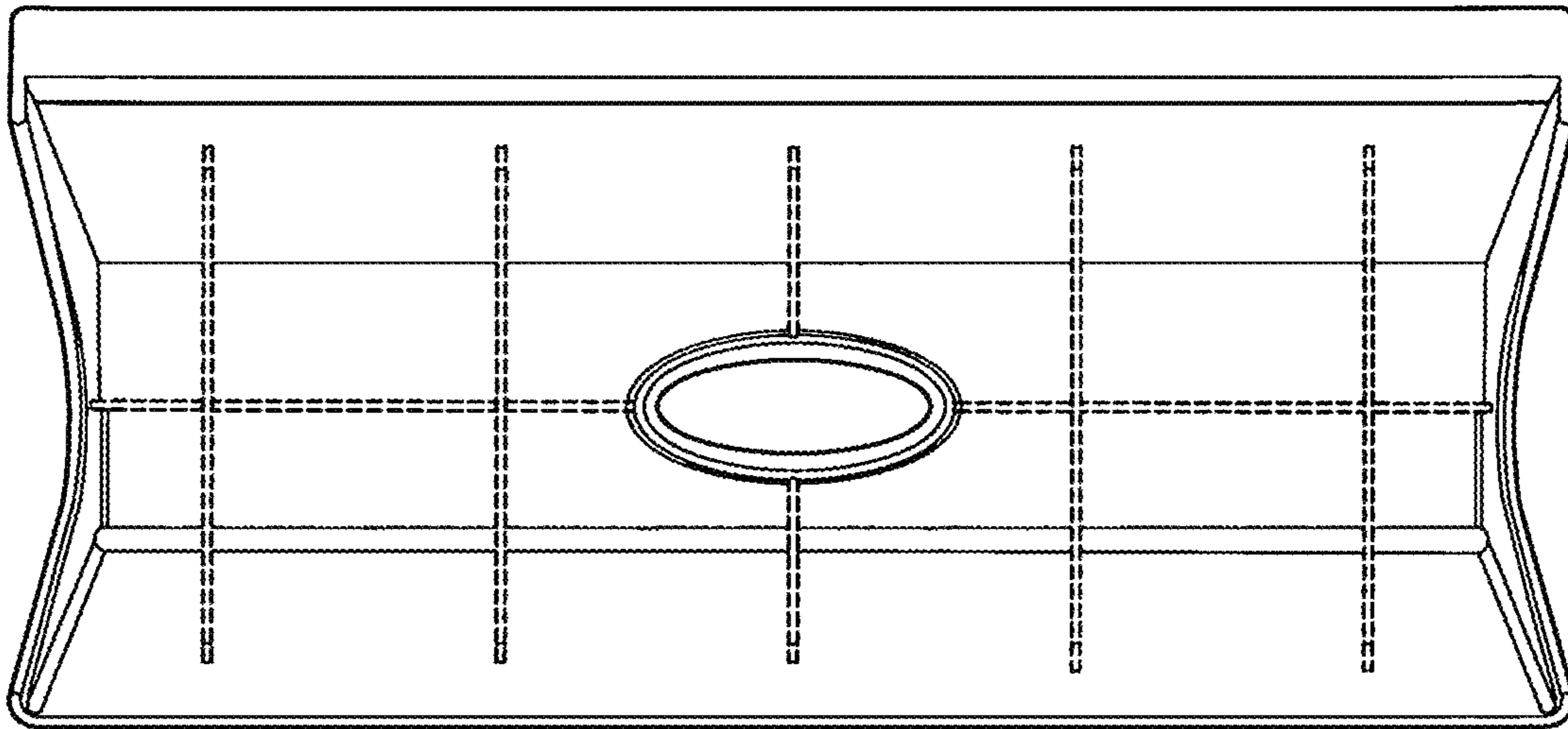


Fig. 3

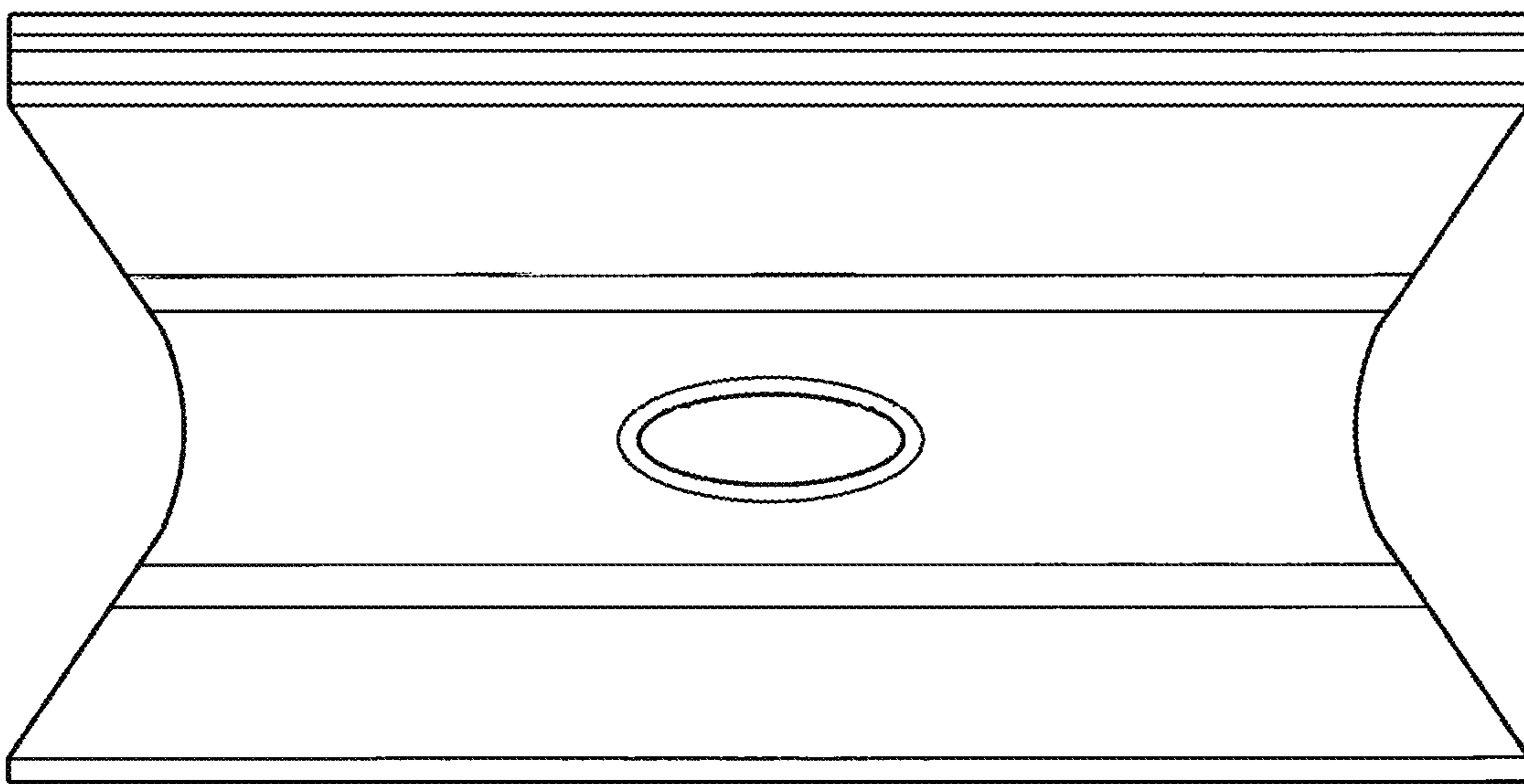


Fig. 4

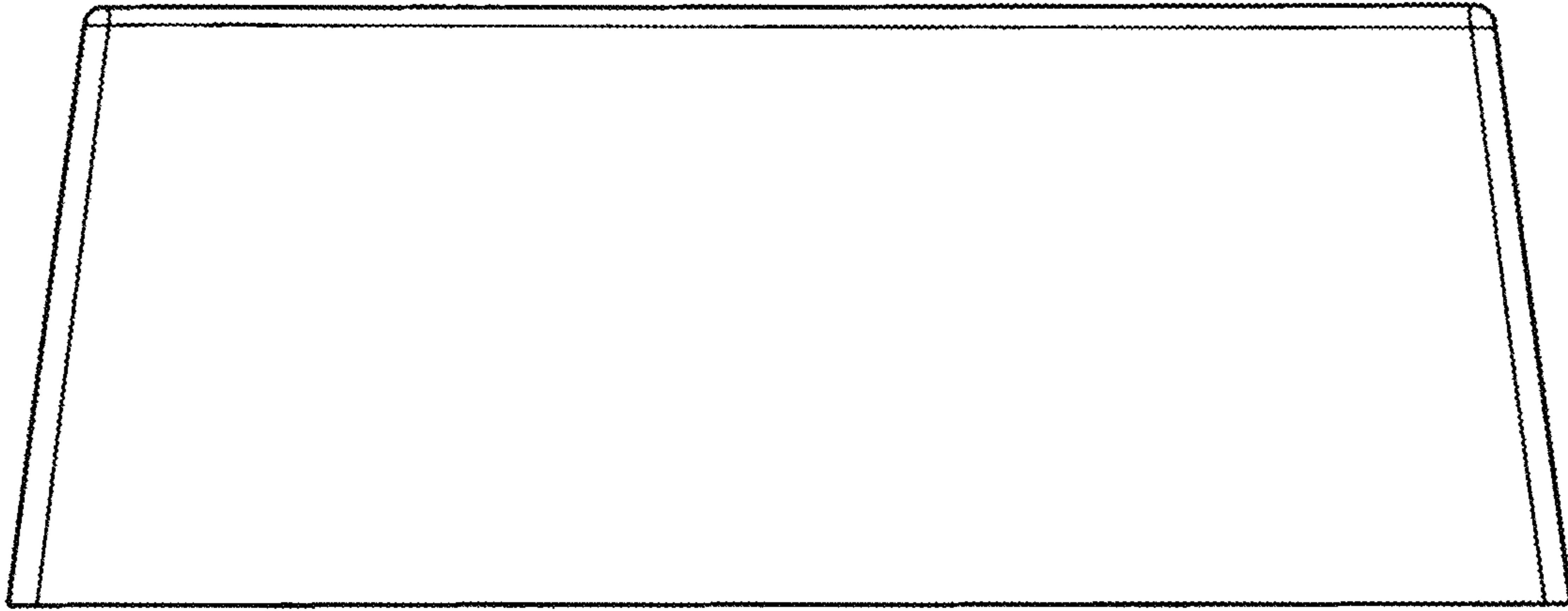


Fig. 5

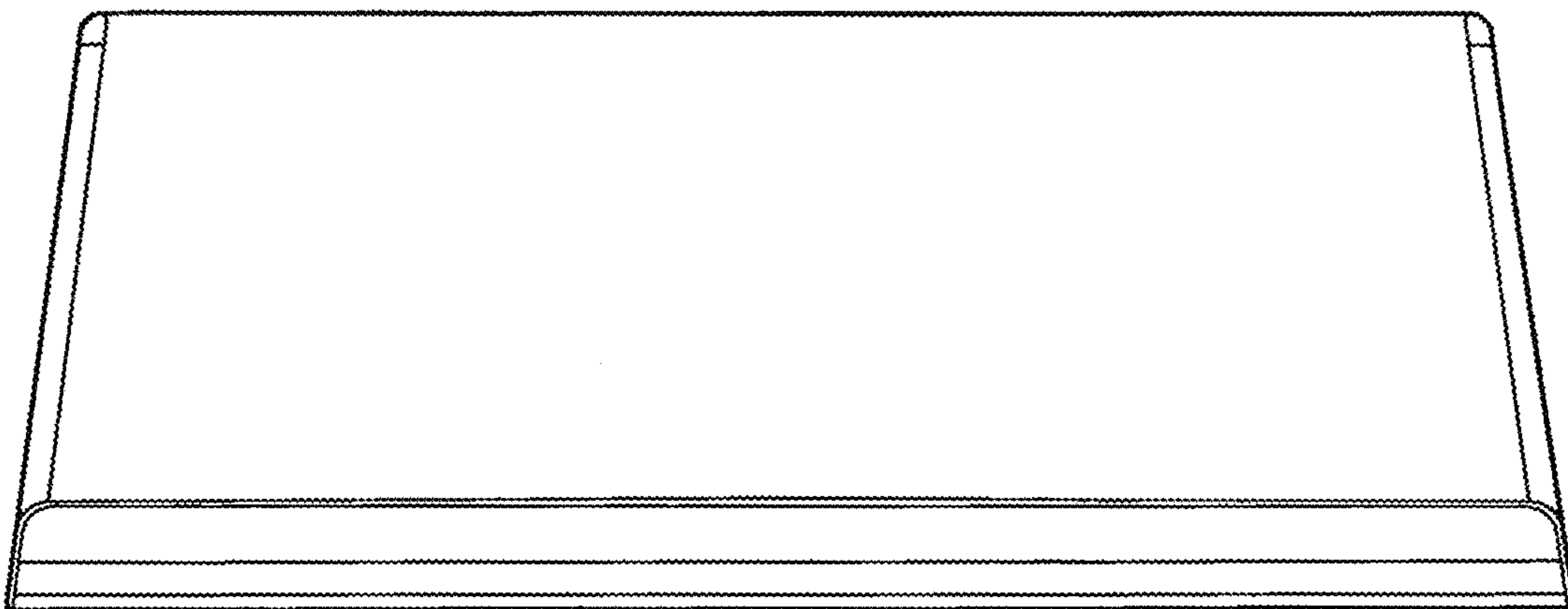


Fig. 6