



US00D933378S

(12) **United States Design Patent** (10) **Patent No.:** **US D933,378 S**
Tian (45) **Date of Patent:** **** Oct. 19, 2021**

(54) **SOFA**

(71) Applicant: **Mulan Tian**, Shenzhen (CN)

(72) Inventor: **Mulan Tian**, Shenzhen (CN)

(**) Term: **15 Years**

(21) Appl. No.: **29/747,129**

(22) Filed: **Aug. 20, 2020**

(51) **LOC (13) Cl.** **06-01**

(52) **U.S. Cl.**
USPC **D6/335; D6/381**

(58) **Field of Classification Search**
USPC **D6/334-337, 349, 369, 374, 375, 377, D6/381**

CPC .. **A47C 7/24; A47C 7/54; A47C 7/541; A47C 7/546; A47C 17/00; A47C 17/02; A47C 17/04; A47C 17/045; A47C 17/12; A47C 17/13; A47C 17/132; A47C 17/134; A47C 17/136; A47C 17/16; A47C 17/162; A47C 17/17**

See application file for complete search history.

(56) **References Cited**

U.S. PATENT DOCUMENTS

D600,042 S *	9/2009	Natuzzi	D6/381
D640,480 S *	6/2011	Bush	D6/381
D640,481 S *	6/2011	Bush	D6/381
D674,210 S *	1/2013	Citterio	D6/381
D714,567 S *	10/2014	Podsiadlo	D6/381
D717,063 S *	11/2014	Zhang	D6/381
D719,754 S *	12/2014	Pathiratne	D6/381
D719,757 S *	12/2014	Sonmez	D6/381
D726,436 S *	4/2015	Podsiadlo	D6/381
D811,100 S *	2/2018	Andersen	D6/335
D839,615 S *	2/2019	Tham	D6/335
D893,215 S *	8/2020	Qiu	D6/381

FOREIGN PATENT DOCUMENTS

EM	001969577-0001	* 12/2011
EM	008320618-0002	* 12/2020

OTHER PUBLICATIONS

Tufted 82"x60"x35" Upholstery Sofa [online], [site visited Aug. 12, 2021]. Available from internet, URL: <https://www.walmart.com/ip/Tufted-82-x-60-35-Upholstery-Sofas-Plump-Stitching-Mid-Century-Sectional-Pull-Out-sleeper-Reversible-Storage-Chaise-Durable-Sofa-Beds-Small-Space-250/372440292> (Year: 2021).*

Flex Sectional Sleeper Sofa [online], [site visited Aug. 12, 2021]. Available from internet, URL: <https://www.jensen-lewis.com/products/luonto-flex-sectional-sleeper-sofa> (Year: 2021).*

Capri Graphite Left Arm Facing Full Bob-O-Pedic Sleeper Sectional [online], [site visited Aug. 12, 2021]. Available from internet, URL: <https://www.mybobs.com/furniture/living-room/sleeper-sofas/p/20052110> (Year: 2021).*

* cited by examiner

Primary Examiner — Cynthia Ramirez

Assistant Examiner — Xavier Marti-Santos

(57) **CLAIM**

The ornamental design for a sofa, as shown and described.

DESCRIPTION

FIG. 1 is a perspective view of a sofa showing my new design;

FIG. 2 is another perspective view thereof;

FIG. 3 is a front elevational view thereof;

FIG. 4 is a rear elevational view thereof;

FIG. 5 is a left side elevational view thereof;

FIG. 6 is a right side elevational view thereof;

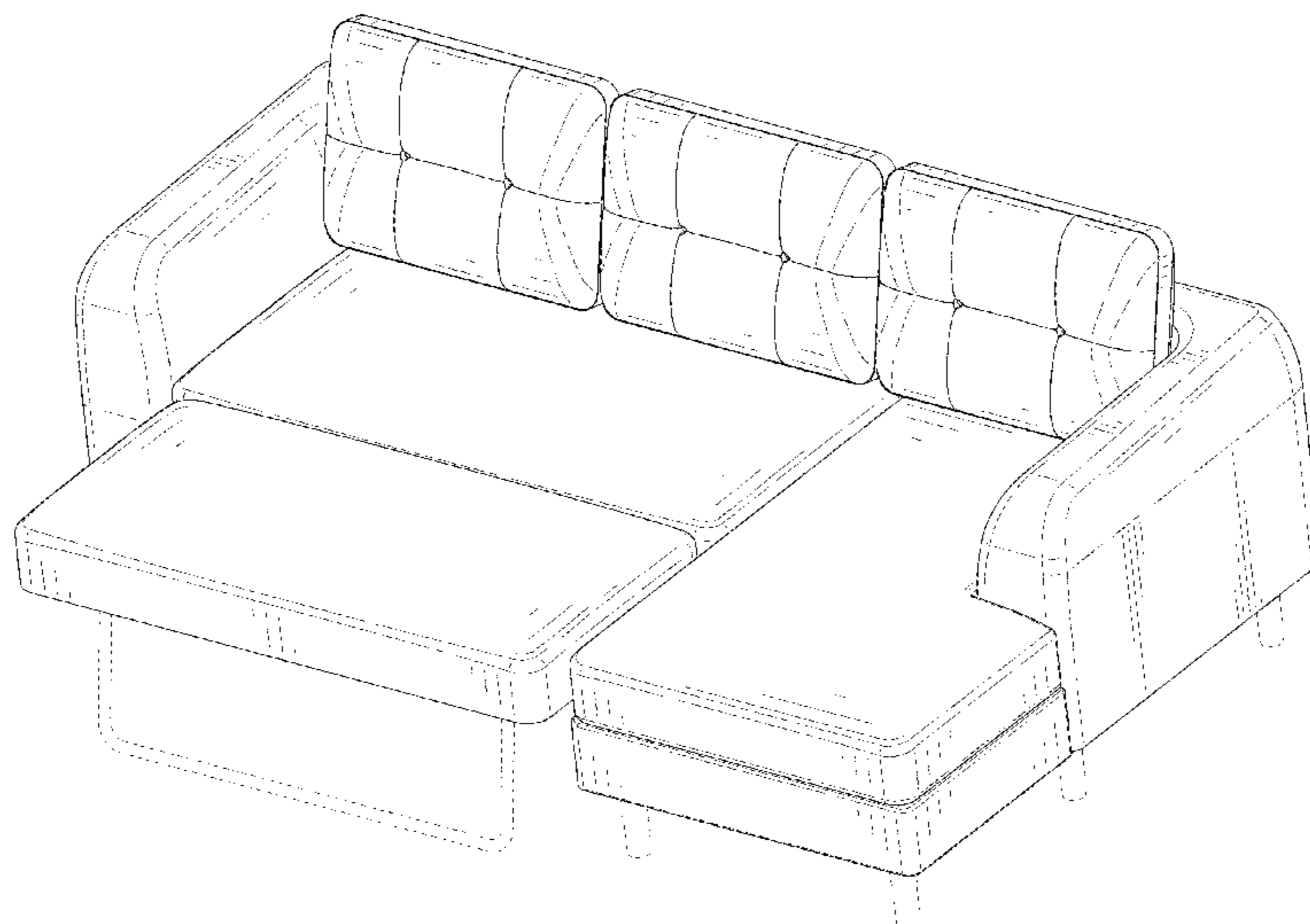
FIG. 7 is a top plan view thereof;

FIG. 8 is a bottom plan view thereof; and,

FIG. 9 is a perspective view of the sofa where the sofa is in a configuration of use.

The broken lines in the drawings depict portions of the sofa that form no part of the claimed design.

1 Claim, 9 Drawing Sheets



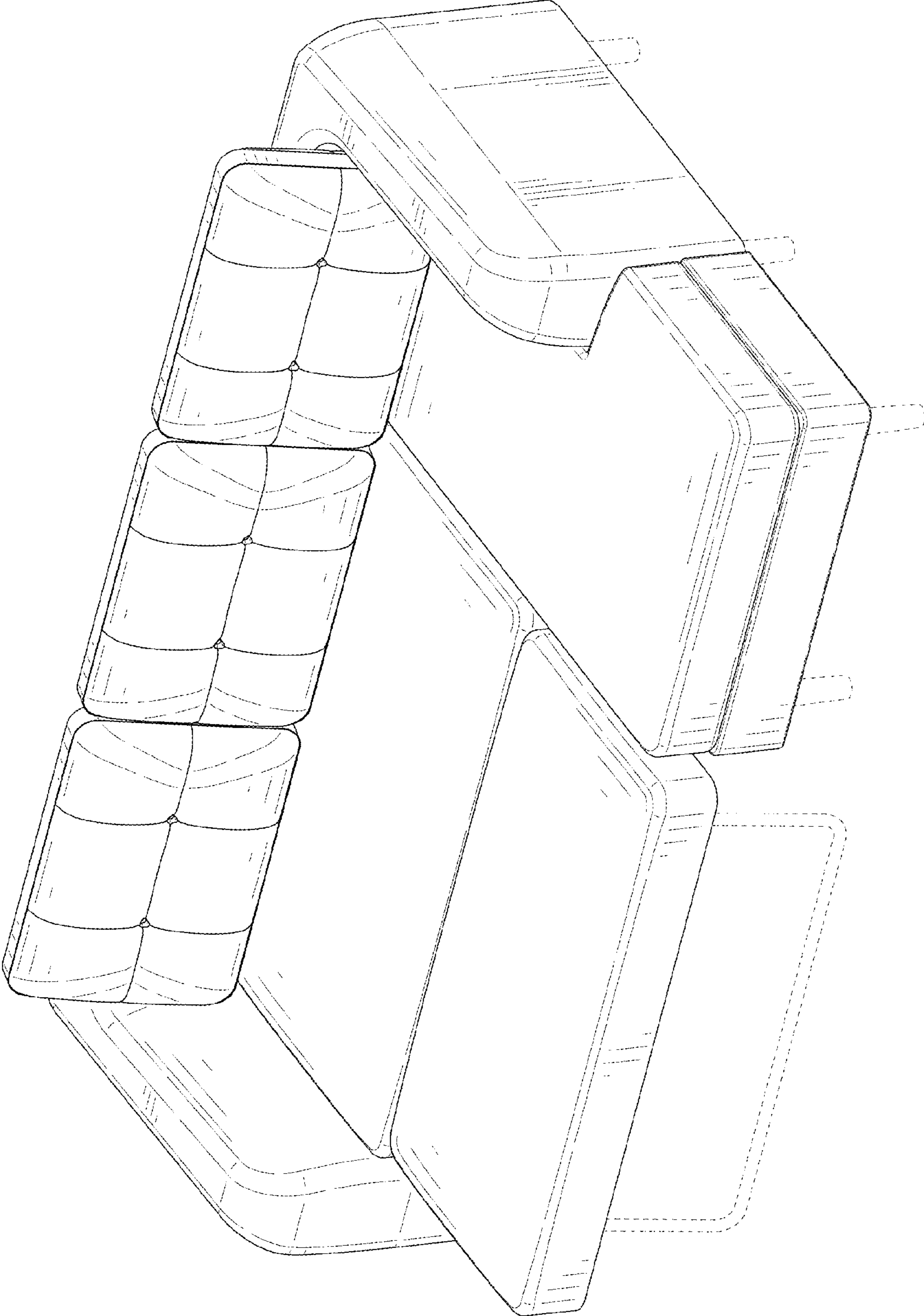


FIG. 1

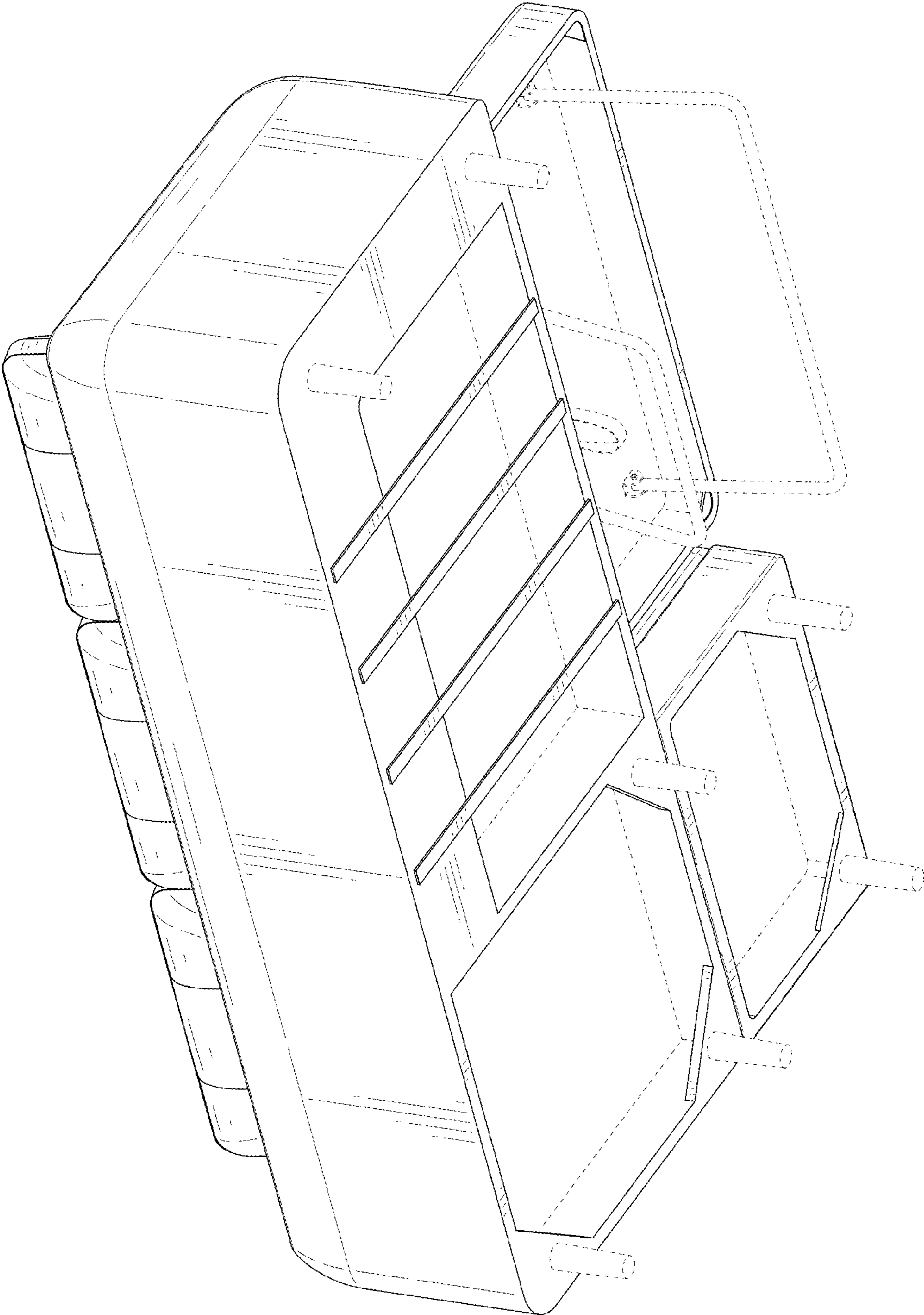


FIG. 2

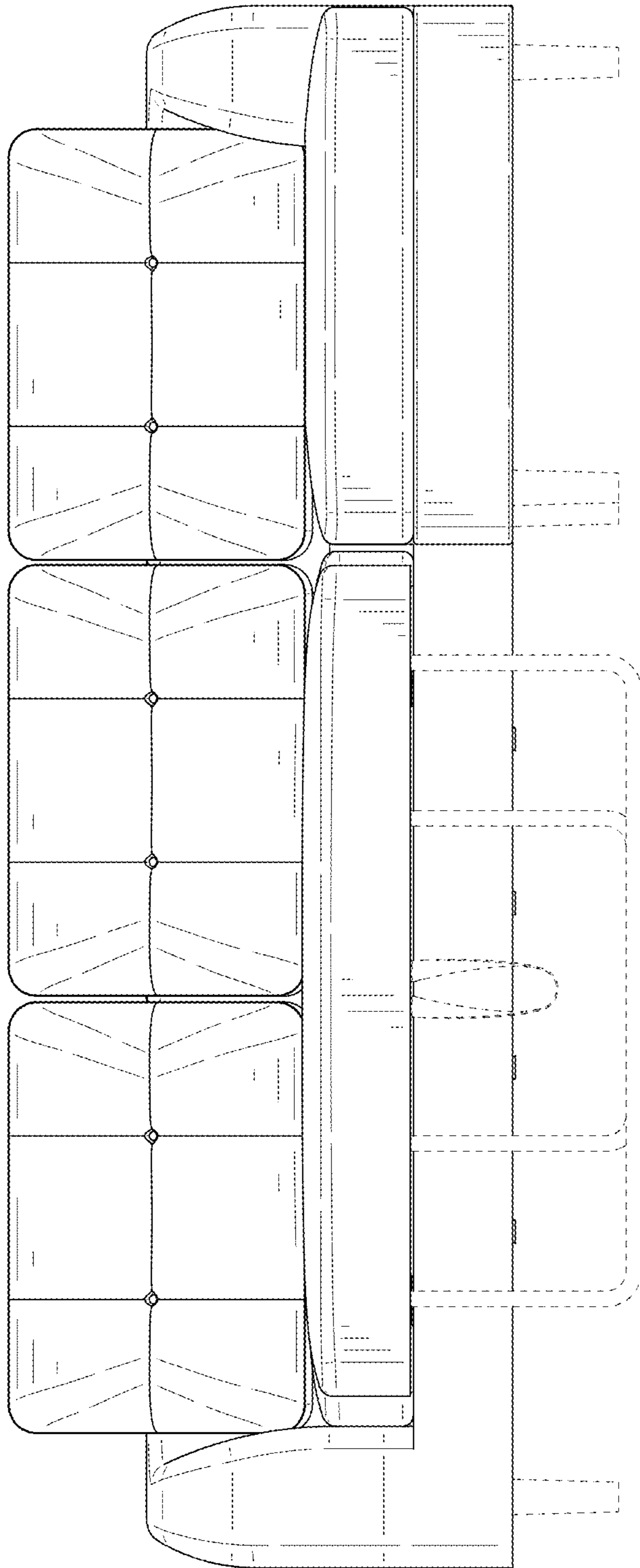


FIG. 3

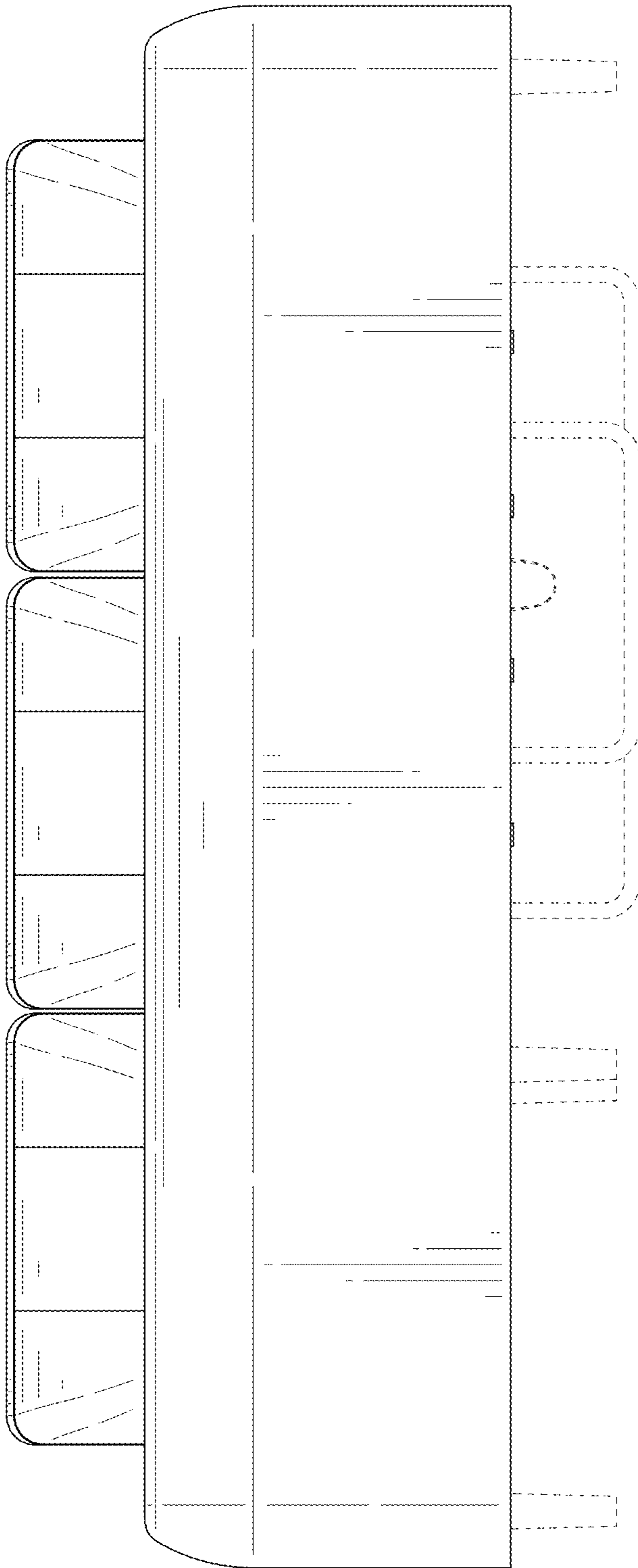


FIG. 4

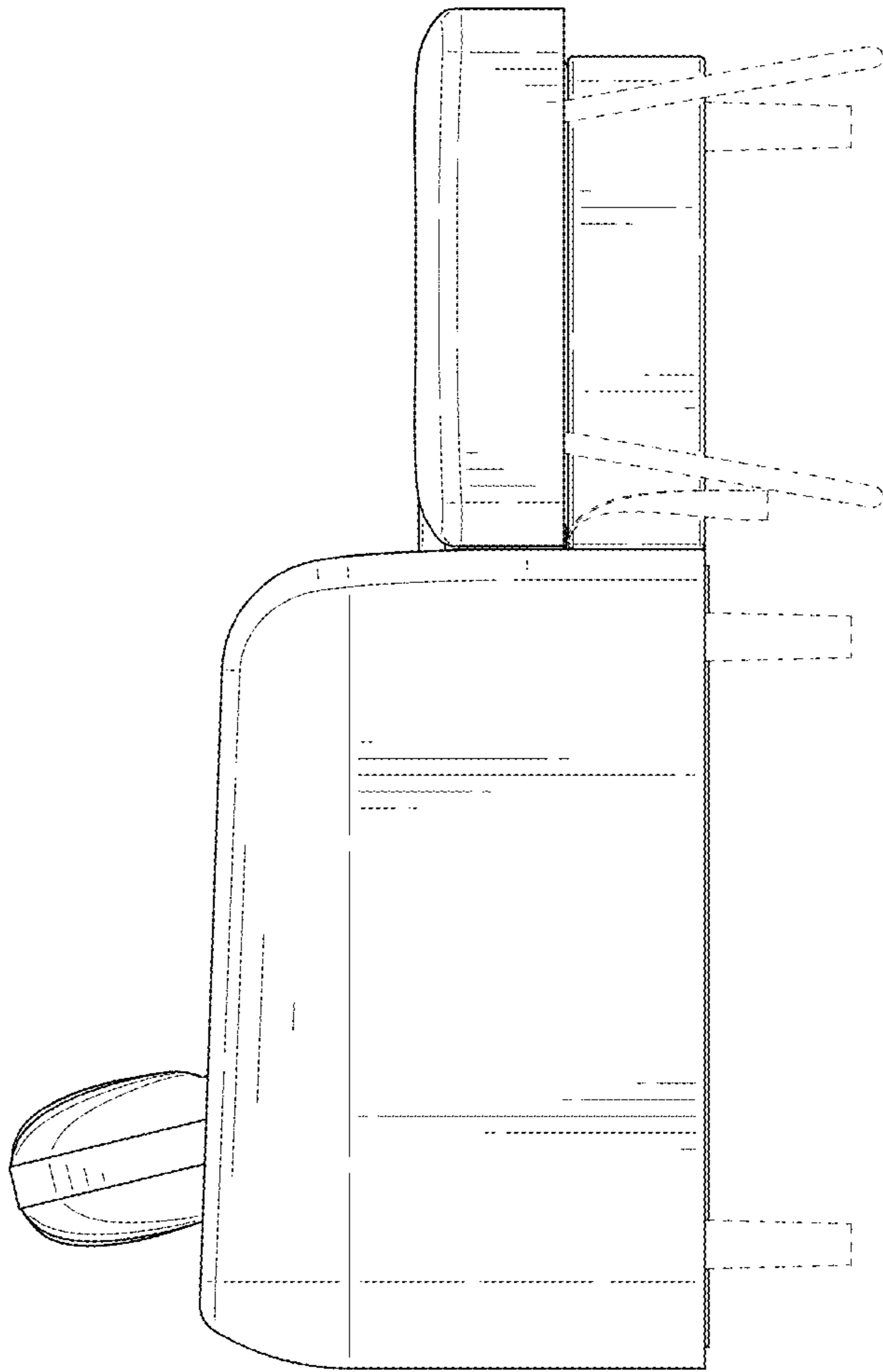


FIG. 5

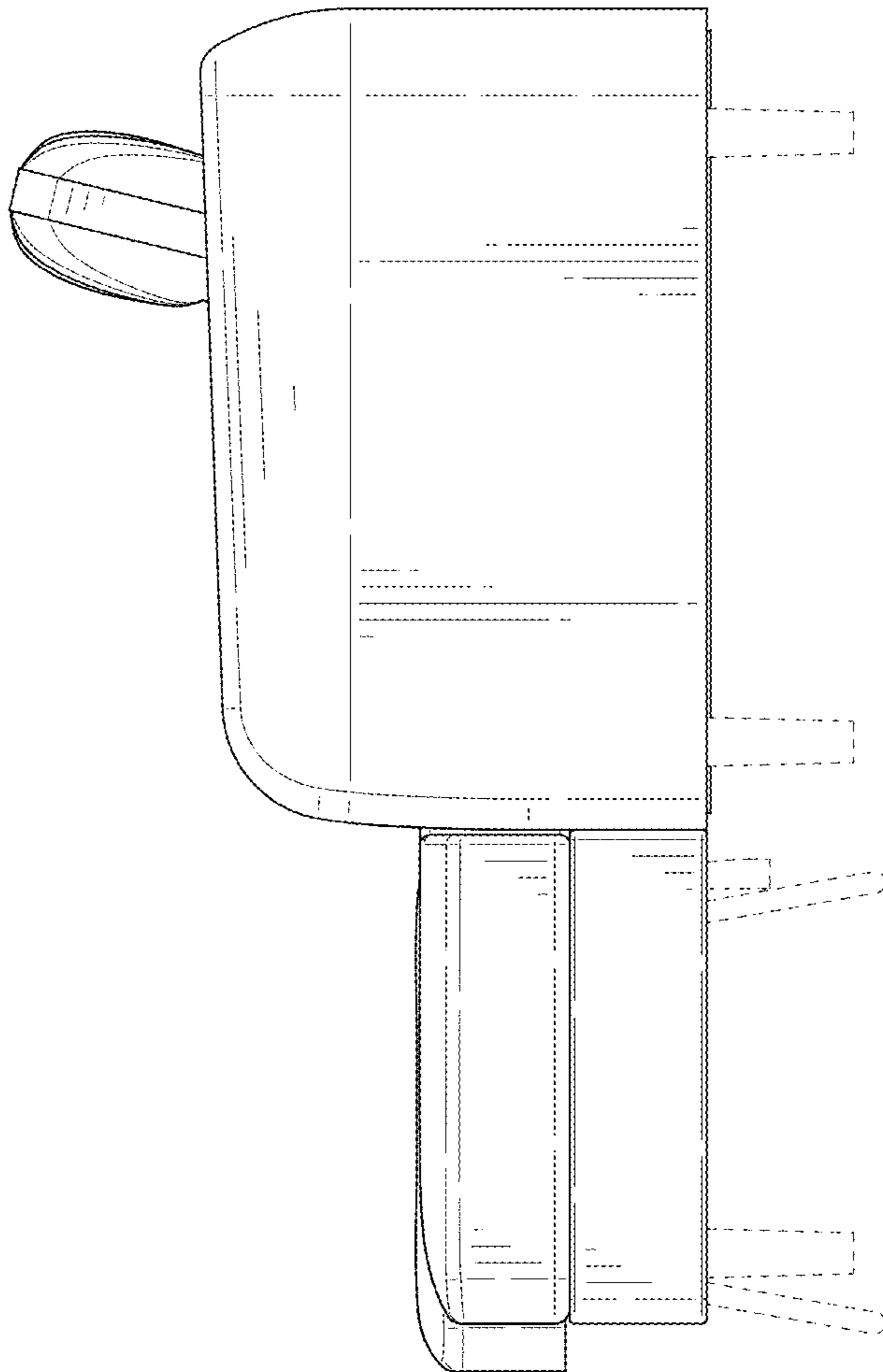


FIG. 6

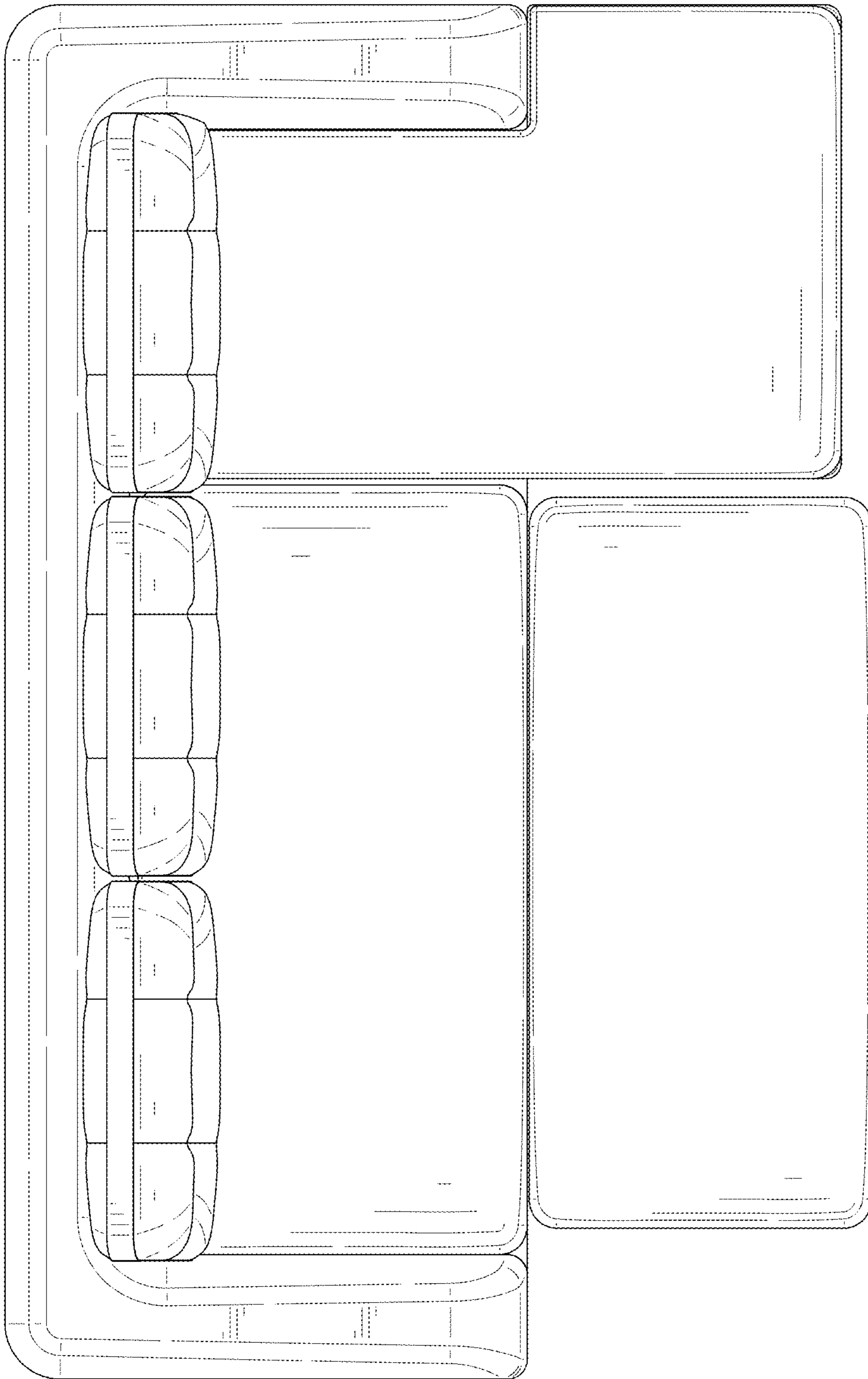


FIG. 7

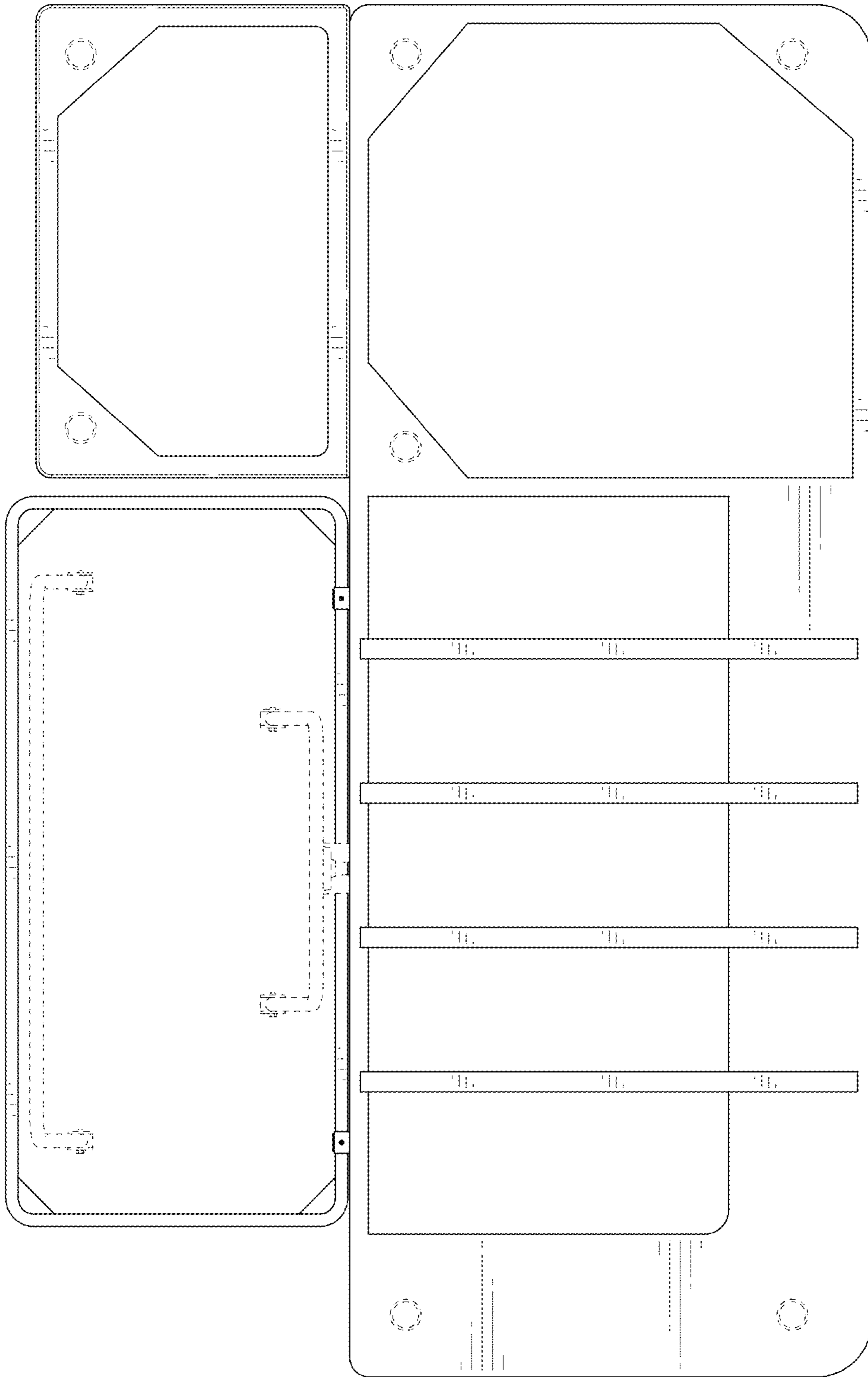


FIG. 8

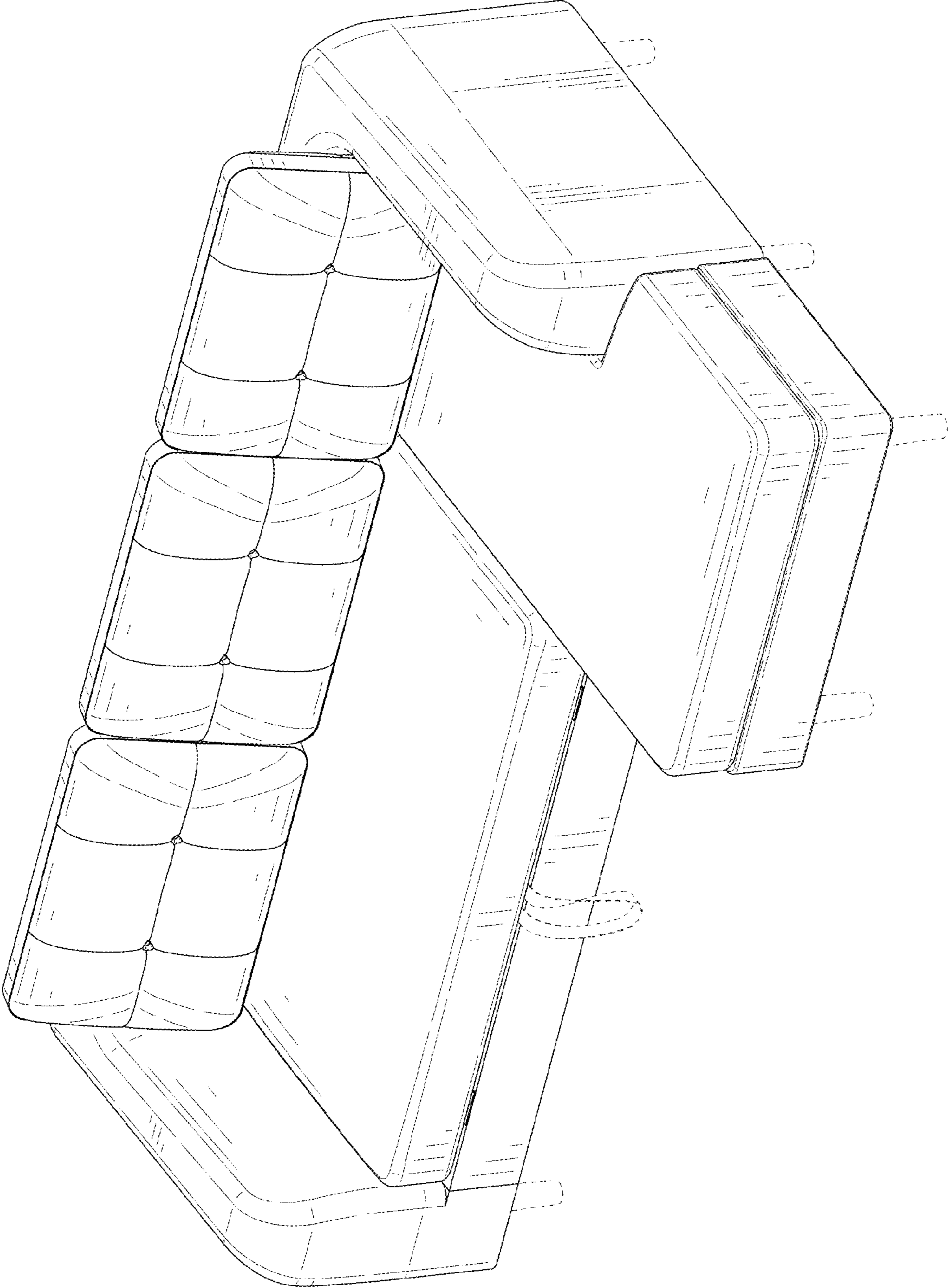


FIG. 9