



US00D933374S

(12) **United States Design Patent** (10) **Patent No.:** **US D933,374 S**  
**Luo** (45) **Date of Patent:** **\*\* Oct. 19, 2021**

(54) **MAKEUP MIRROR**  
(71) Applicant: **Shenzhen Hongwang Nicemay Electric Co., Ltd**, Shenzhen (CN)  
(72) Inventor: **Dewei Luo**, Shenzhen (CN)  
(73) Assignee: **SHENZHEN HONGWANG NICEMAY ELECTRIC CO., LTD**, Shenzhen (CN)

D898,383 S \* 10/2020 Zhou ..... D6/308  
D898,386 S \* 10/2020 Huang ..... D6/309  
D901,908 S \* 11/2020 Zhao ..... D6/309  
D909,770 S \* 2/2021 Li ..... D6/309  
(Continued)

(\*\*) Term: **15 Years**

**FOREIGN PATENT DOCUMENTS**

EM 008008734-0001 \* 6/2020  
GB 9008008734-0001 \* 6/2020  
KR 301112554.0000 \* 6/2020

(21) Appl. No.: **29/738,517**

(22) Filed: **Jun. 18, 2020**

(30) **Foreign Application Priority Data**

Jun. 15, 2020 (CN) ..... 202030304775.4

(51) **LOC (13) Cl.** ..... **06-07**

(52) **U.S. Cl.**  
USPC ..... **D6/309**

(58) **Field of Classification Search**  
USPC ..... D6/300, 301, 302, 303, 304, 307, 308,  
D6/309, 310, 311, 312, 313, 314;  
D28/64.1-64.7  
CPC ..... A45D 42/00; A45D 42/10; A45D 42/16;  
A45D 42/20; A45D 42/24; A47G 1/00;  
A47G 1/02; A47G 1/04; A47G 1/0622;  
B60J 3/0282

See application file for complete search history.

(56) **References Cited**

**U.S. PATENT DOCUMENTS**

D840,699 S \* 2/2019 Xie ..... D6/309  
D850,125 S \* 6/2019 Wang ..... D6/309  
D874,161 S \* 2/2020 Yang ..... D6/309  
D891,123 S \* 7/2020 Li ..... D6/310  
D893,892 S \* 8/2020 Rajasekaran ..... D6/310  
D894,614 S \* 9/2020 Chen ..... D6/309  
D897,695 S \* 10/2020 Yang ..... D6/309

**OTHER PUBLICATIONS**

Smart Touch Led Lighted Vanity Mirror [online], [site visited Aug. 24, 2021], Available from internet, URL: <https://www.nicemay.com/smart-makeup-tools/mr-2008-smart-touch-led-lighted-vanity-mirror-1.html> (Ye.\*

(Continued)

*Primary Examiner* — Cynthia Ramirez  
*Assistant Examiner* — Xavier Marti-Santos

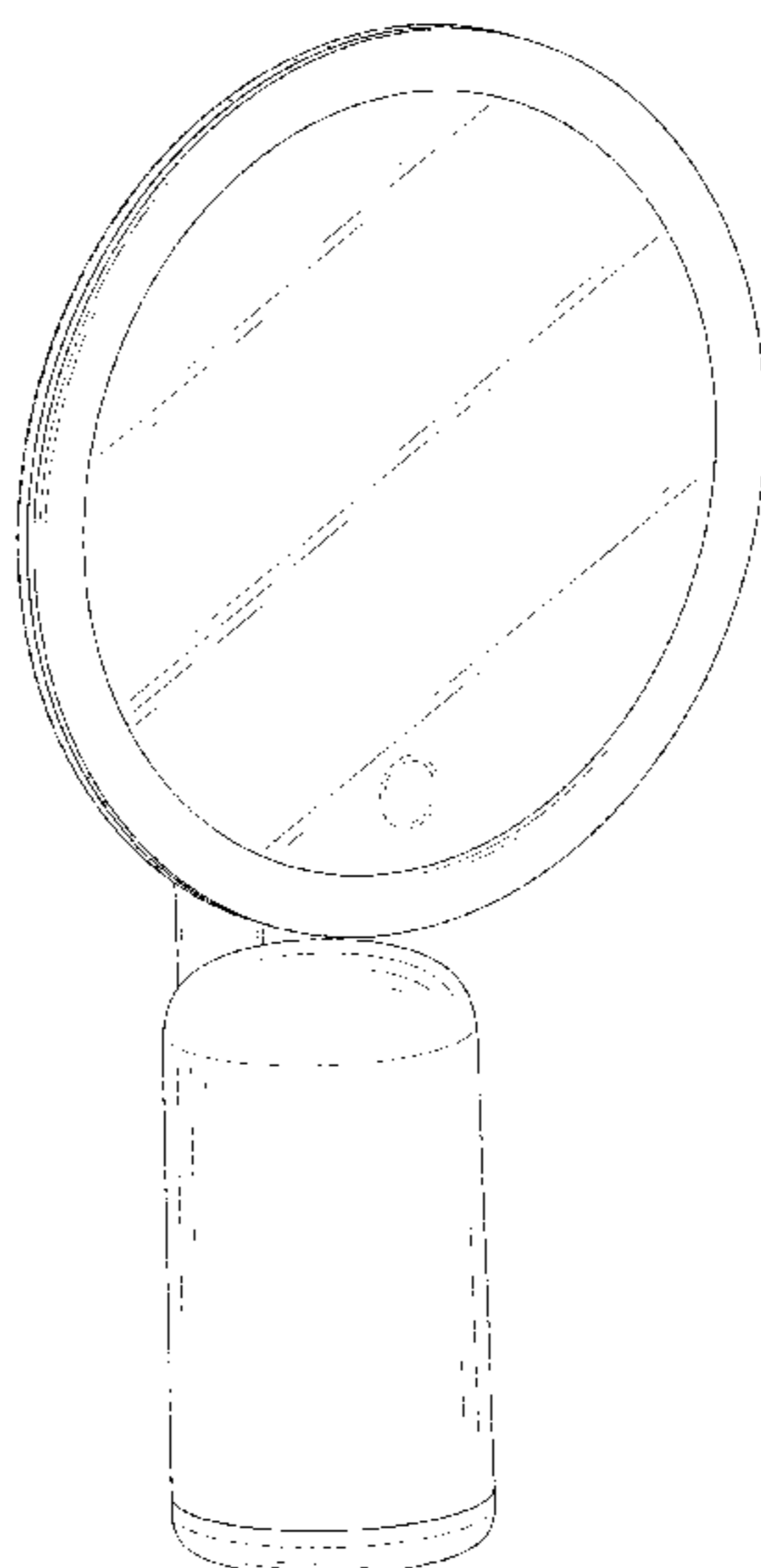
(57) **CLAIM**

The ornamental design for a makeup mirror, as shown and described.

**DESCRIPTION**

FIG. 1 is a perspective view of a makeup mirror showing my new design;  
FIG. 2 is another perspective view thereof;  
FIG. 3 is a front elevational view thereof;  
FIG. 4 is a rear elevational view thereof;  
FIG. 5 is a left side elevational view thereof;  
FIG. 6 is a right side elevational view thereof;  
FIG. 7 is a top plan view thereof; and,  
FIG. 8 is a bottom plan view thereof.  
The broken lines in the drawings are for the purpose of illustrating portions of the makeup mirror that form no part of the claimed design.

**1 Claim, 8 Drawing Sheets**



(56)

**References Cited**

U.S. PATENT DOCUMENTS

D918,602 S \* 5/2021 Chen ..... D6/309  
D924,456 S \* 7/2021 Zhao ..... D26/56

OTHER PUBLICATIONS

8 inch HD sensor on/off LED Daylight Mirror [online], [site visited Aug. 24, 2021], Available from internet, URL: <<https://www.auswidedeals.com.au/products/amiro-8-inch-hd-sensor-on-off-led-daylight-mirror-cordlessrechargeable-o-series-2-aml009>> (Year: 2021).\*

\* cited by examiner

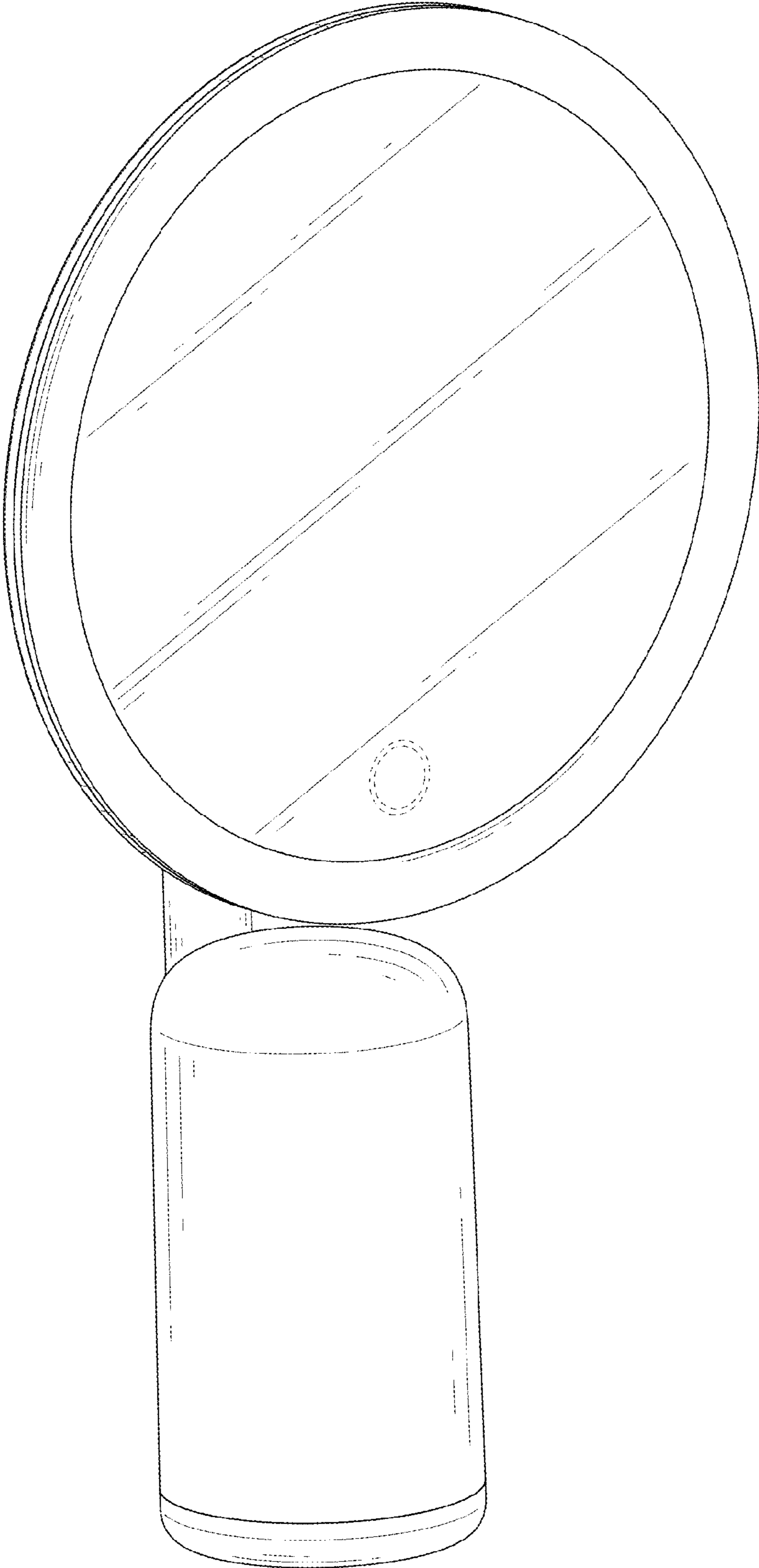


FIG. 1

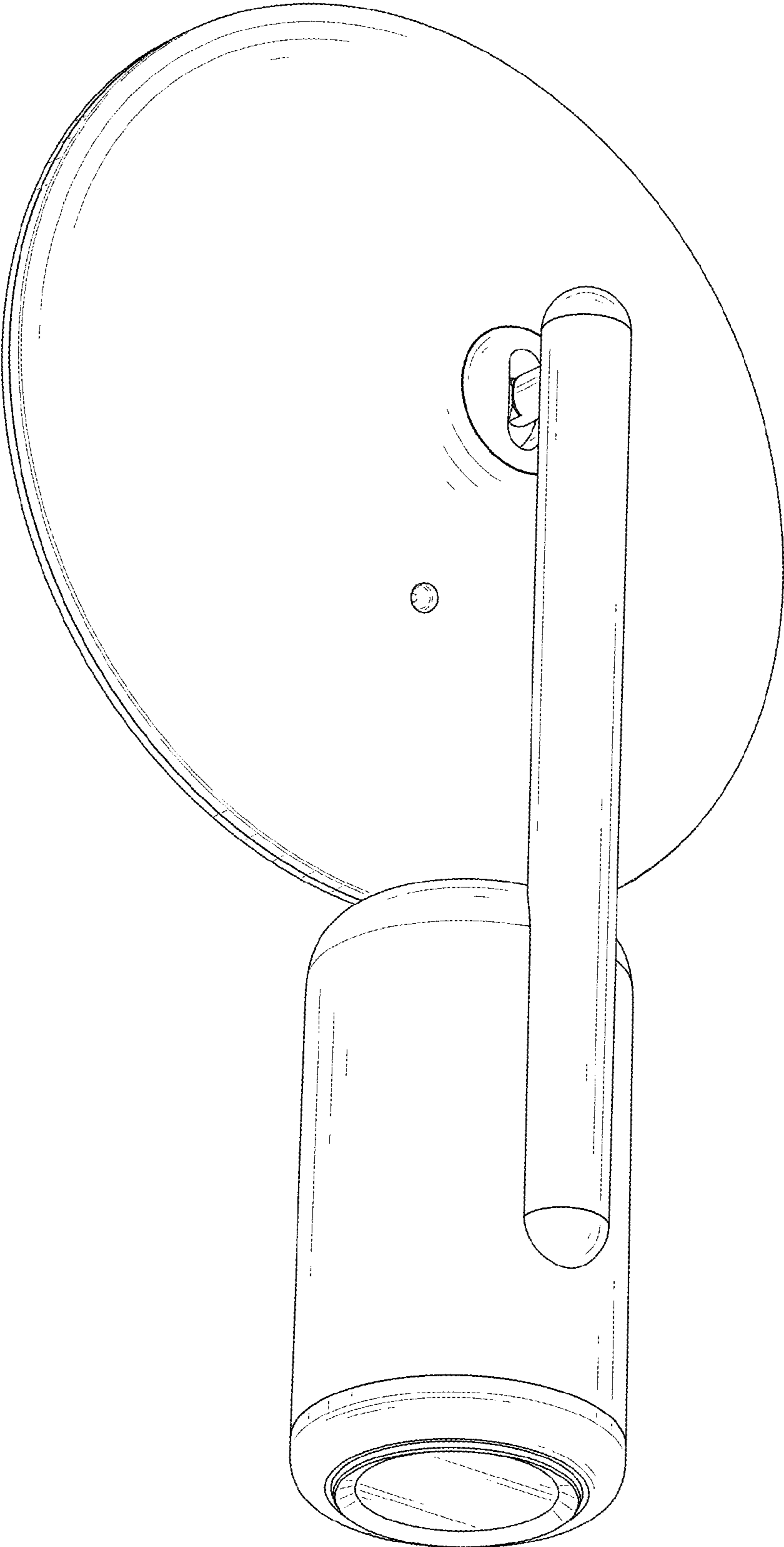


FIG. 2

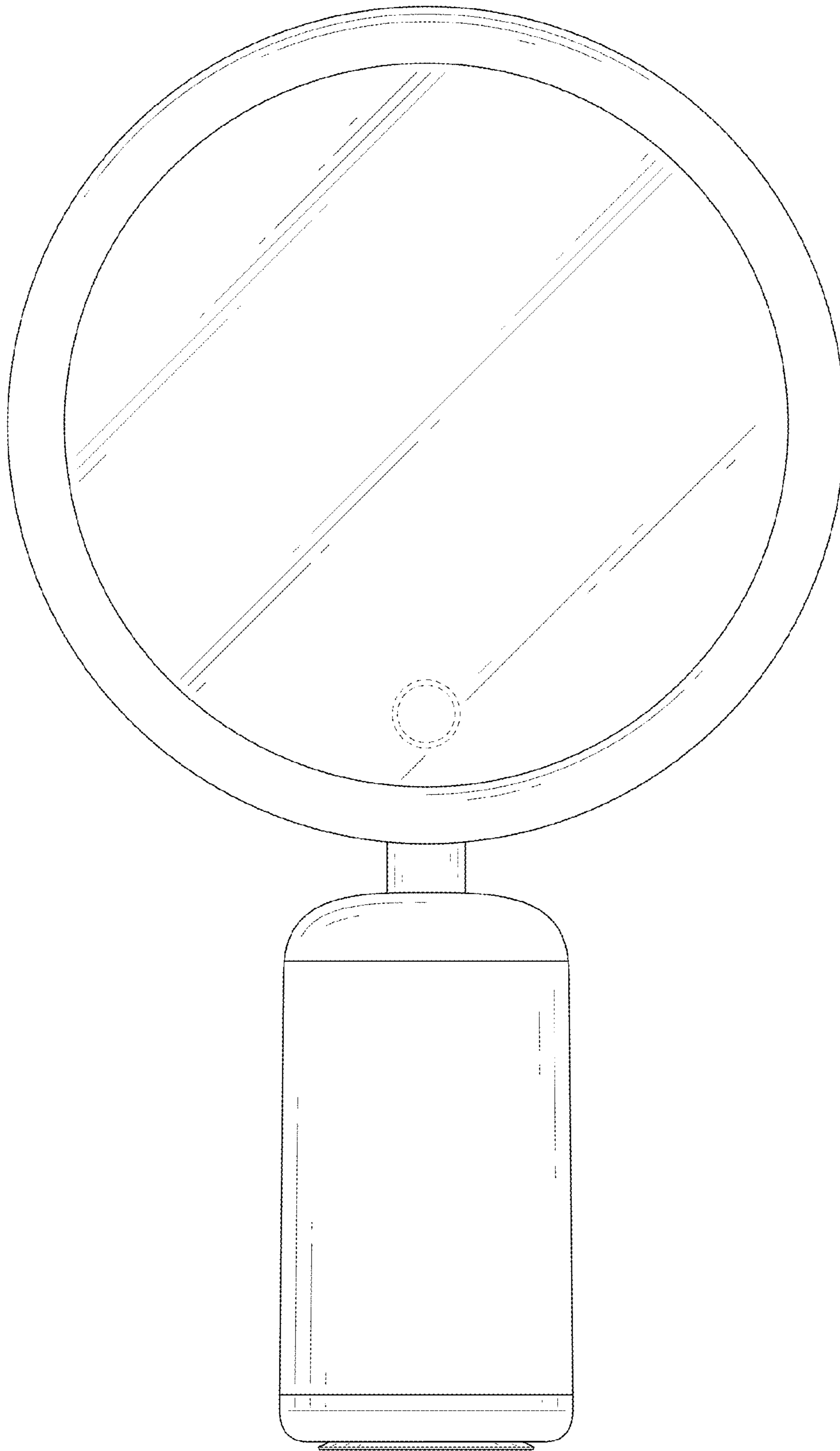


FIG. 3

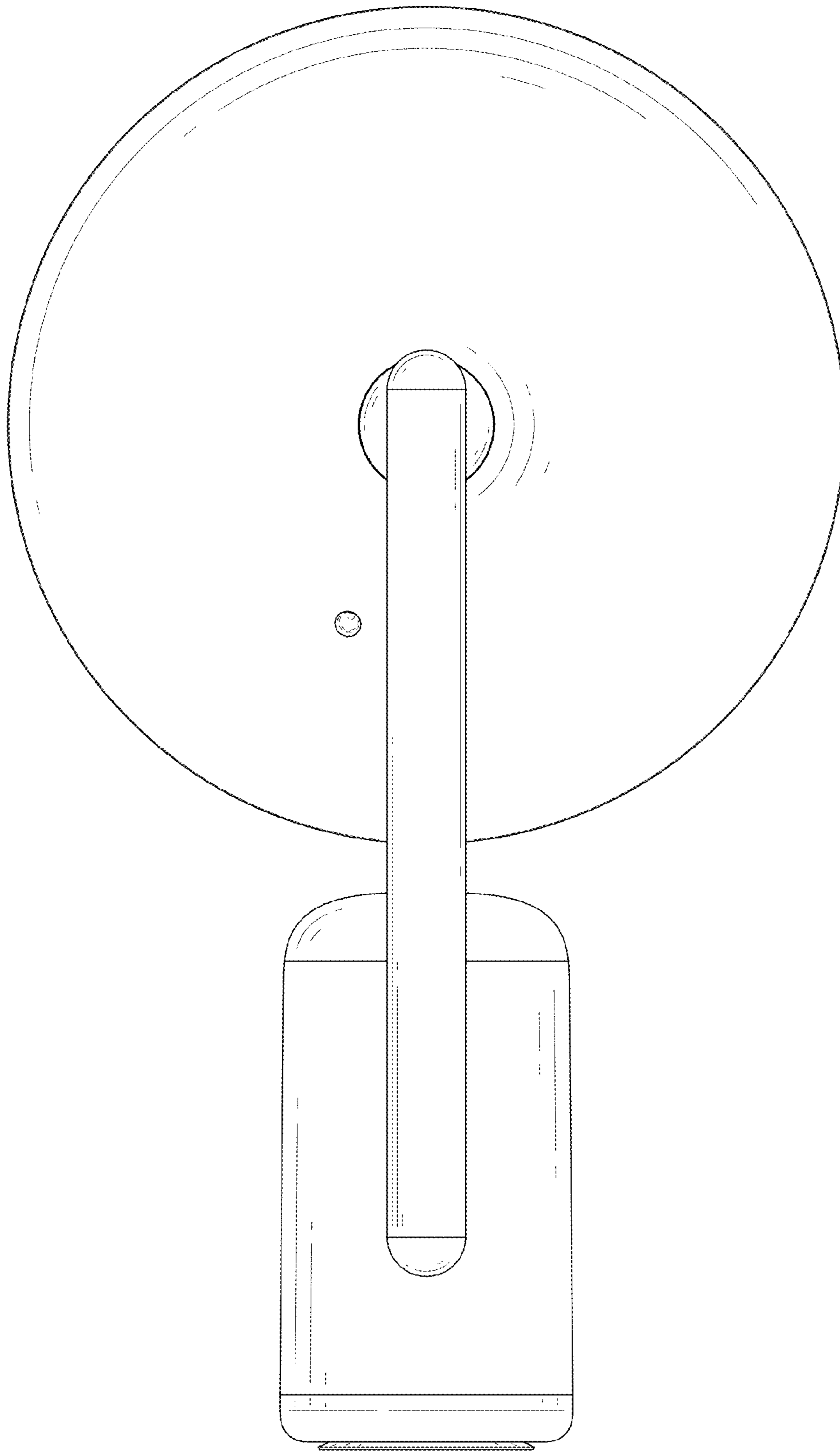


FIG. 4

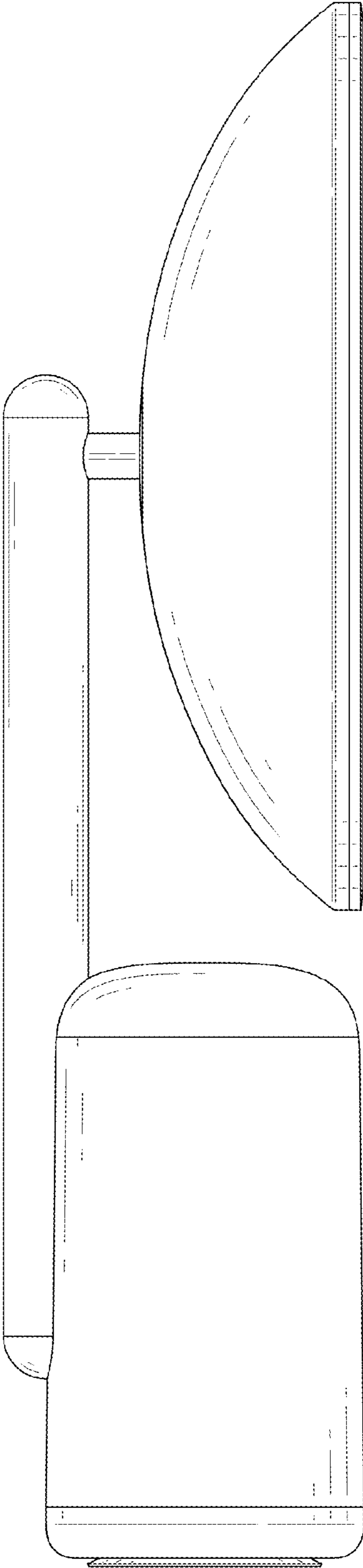


FIG. 5

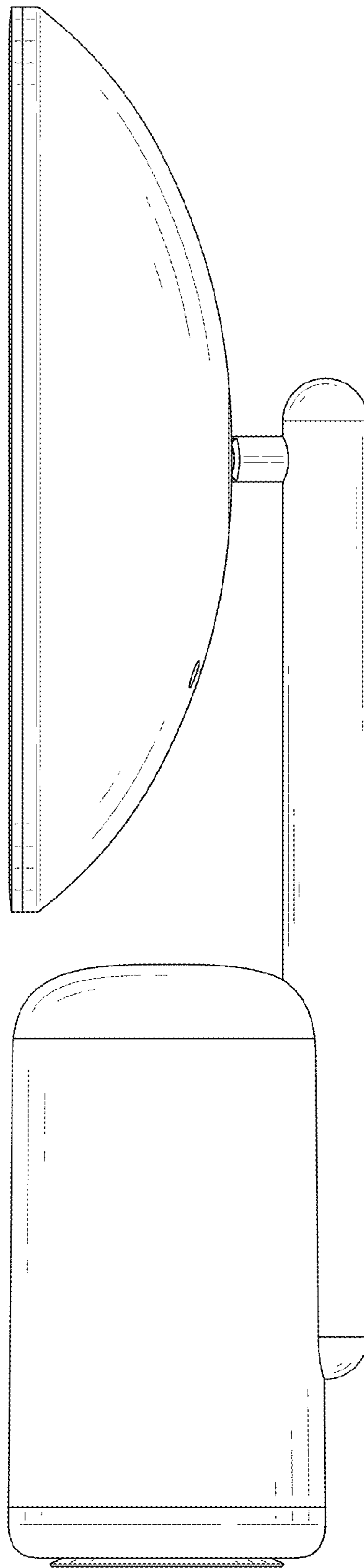


FIG. 6



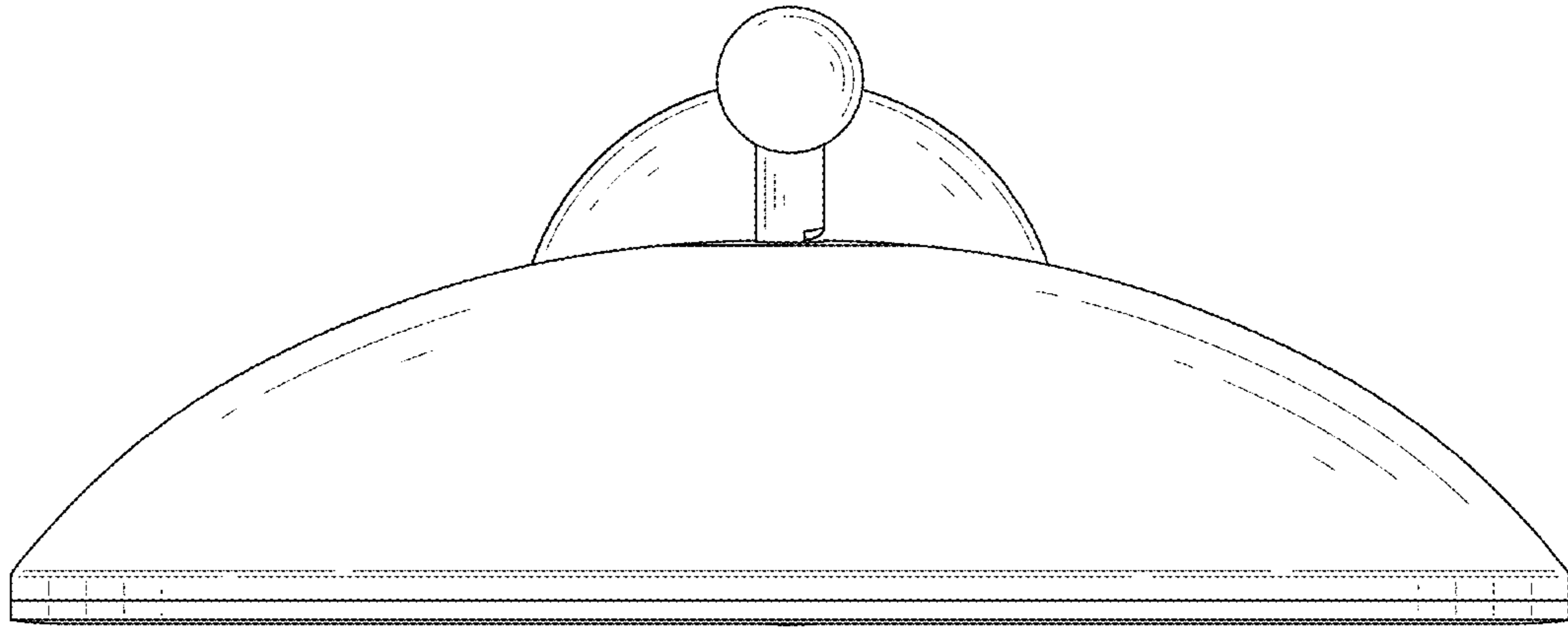


FIG. 7

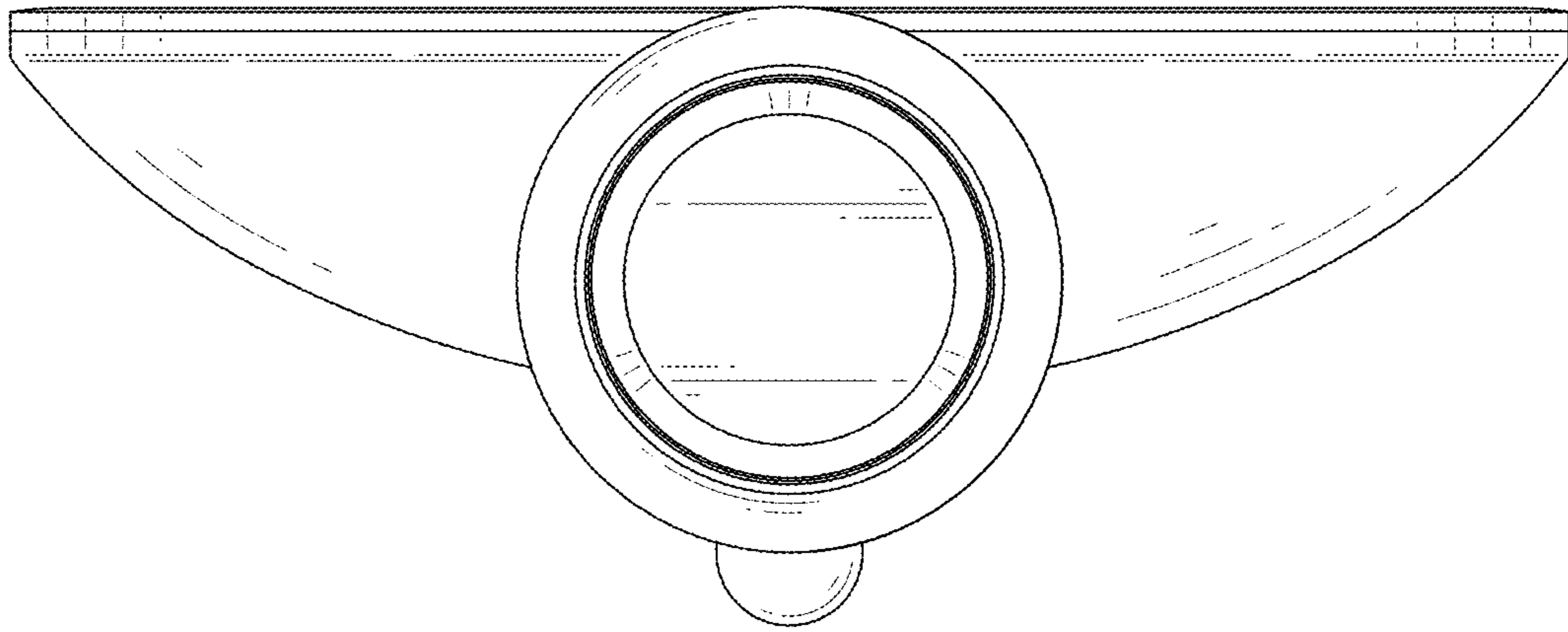


FIG. 8