



US00D933373S

(12) **United States Design Patent**
Yang

(10) **Patent No.:** **US D933,373 S**
(45) **Date of Patent:** **** Oct. 19, 2021**

(54) **MAKEUP MIRROR**

(71) Applicant: **Yida Yang**, Jiangxi (CN)

(72) Inventor: **Yida Yang**, Jiangxi (CN)

(**) Term: **15 Years**

(21) Appl. No.: **29/773,839**

(22) Filed: **Mar. 11, 2021**

(51) **LOC (13) Cl.** **28-03**

(52) **U.S. Cl.**
USPC **D6/302; D6/310**

(58) **Field of Classification Search**
USPC **D6/300-314**
CPC .. **A47G 1/10; A47G 2001/002; F21V 33/004;**
A45D 42/10

See application file for complete search history.

(56) **References Cited**

U.S. PATENT DOCUMENTS

D825,205 S	*	8/2018	Liu	D6/310
D859,011 S	*	9/2019	Liu	D6/310
D861,356 S	*	10/2019	Zhu	D6/310
D882,965 S	*	5/2020	Liu	D6/302
D895,986 S	*	9/2020	Yang	D6/312
D897,696 S	*	10/2020	Zhou	D6/310
D897,697 S	*	10/2020	Liu	D6/310
D905,440 S		12/2020	Yang		
D907,375 S		1/2021	Liang		

OTHER PUBLICATIONS

“GULAURI Makeup Mirror with Lights and Storage—3x/2x Magnification, Tri-Fold Cosmetic Vanity Mirror with 24 Led Light,

Touch Screen, 180 Degree Adjustable Rotation, Dual Power Supply” product listing, Amazon. Listed as first available on Jan. 7, 2021. Accessed on Jun. 28, 2021 at https://www.amazon.com/dp/B08SC8C4N4?pd_rd_i=B08SC8C4N4&pd_rd_w=T5uvV&pf_rd_p=3465d0d7-4e28-4692-b633-326c458deaa4&pd_rd_wg=t871R&pf_rd_r=SVR90TSJYF4AC4131G3C&pd_rd_r=1a7ea224-f9f7-4e28-b207-21c6f16d2251&th=1 (Year: 2021).*

* cited by examiner

Primary Examiner — Deanna L Pratt

(74) *Attorney, Agent, or Firm* — ScienBiziP, P.C.

(57) **CLAIM**

The ornamental design for a makeup mirror, as shown and described.

DESCRIPTION

FIG. 1 is a front, right, and top perspective view of a makeup mirror, showing my design.

FIG. 2 is a front elevation view thereof.

FIG. 3 is a rear elevation view thereof.

FIG. 4 is a left side elevation view thereof.

FIG. 5 is a right side elevation view thereof.

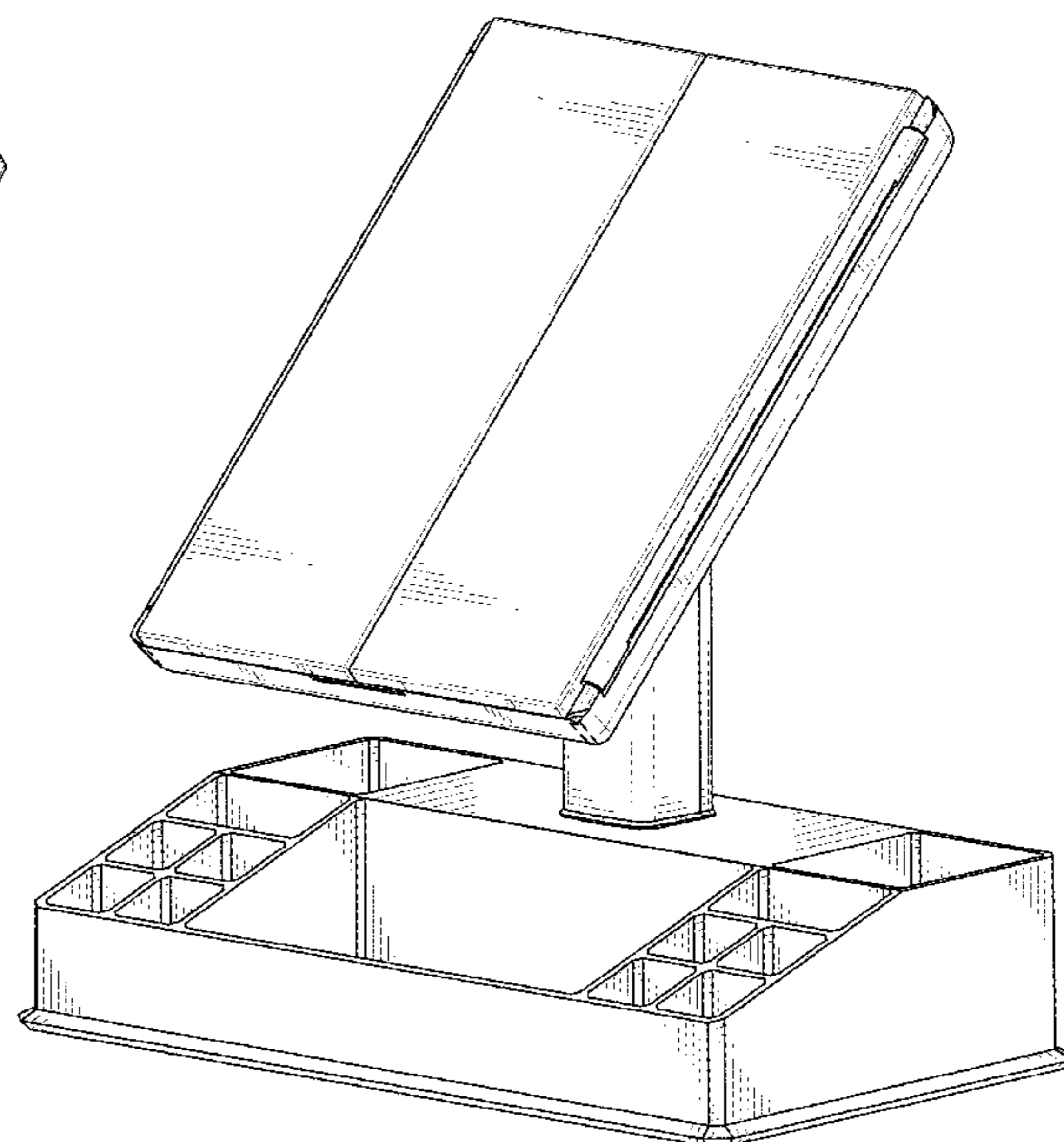
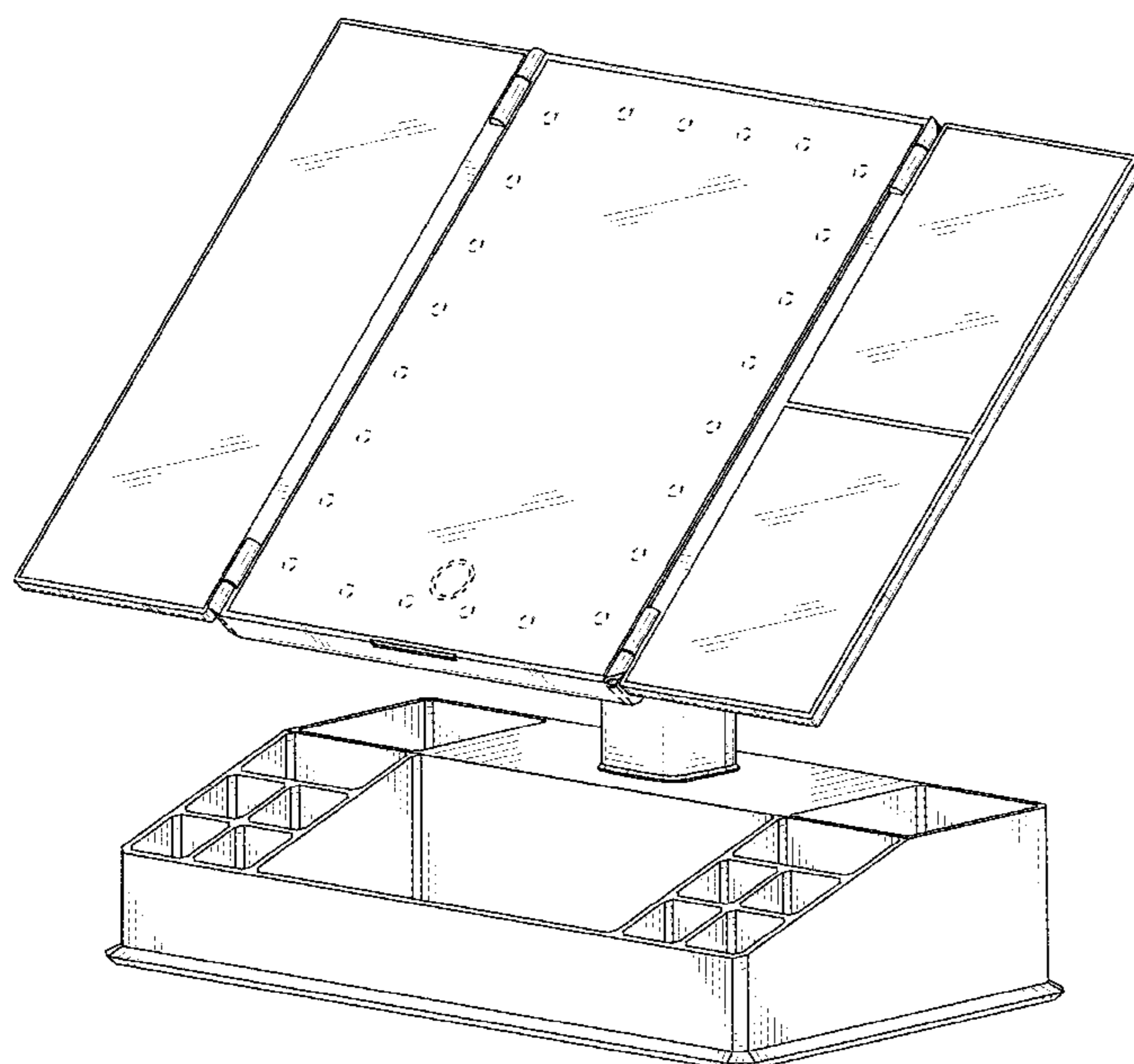
FIG. 6 is a top plan view thereof.

FIG. 7 is a bottom plan view thereof; and,

FIG. 8 is a perspective view of the makeup mirror of FIG. 1, wherein doors of the makeup mirror are closed.

The broken lines shown in the drawings are included for the purpose of illustrating portions of the makeup mirror that form no part of the claimed design.

1 Claim, 8 Drawing Sheets



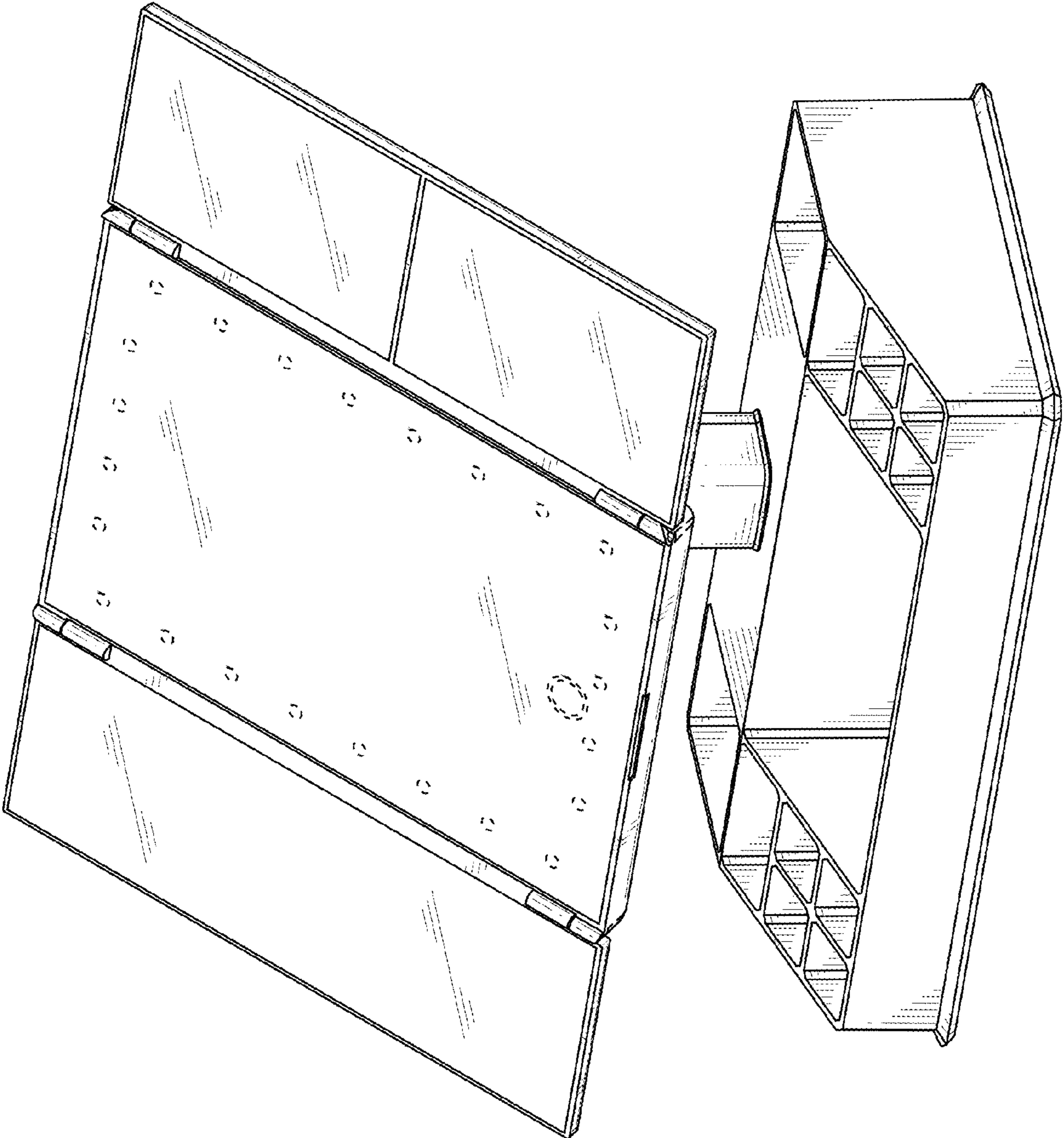


FIG.1

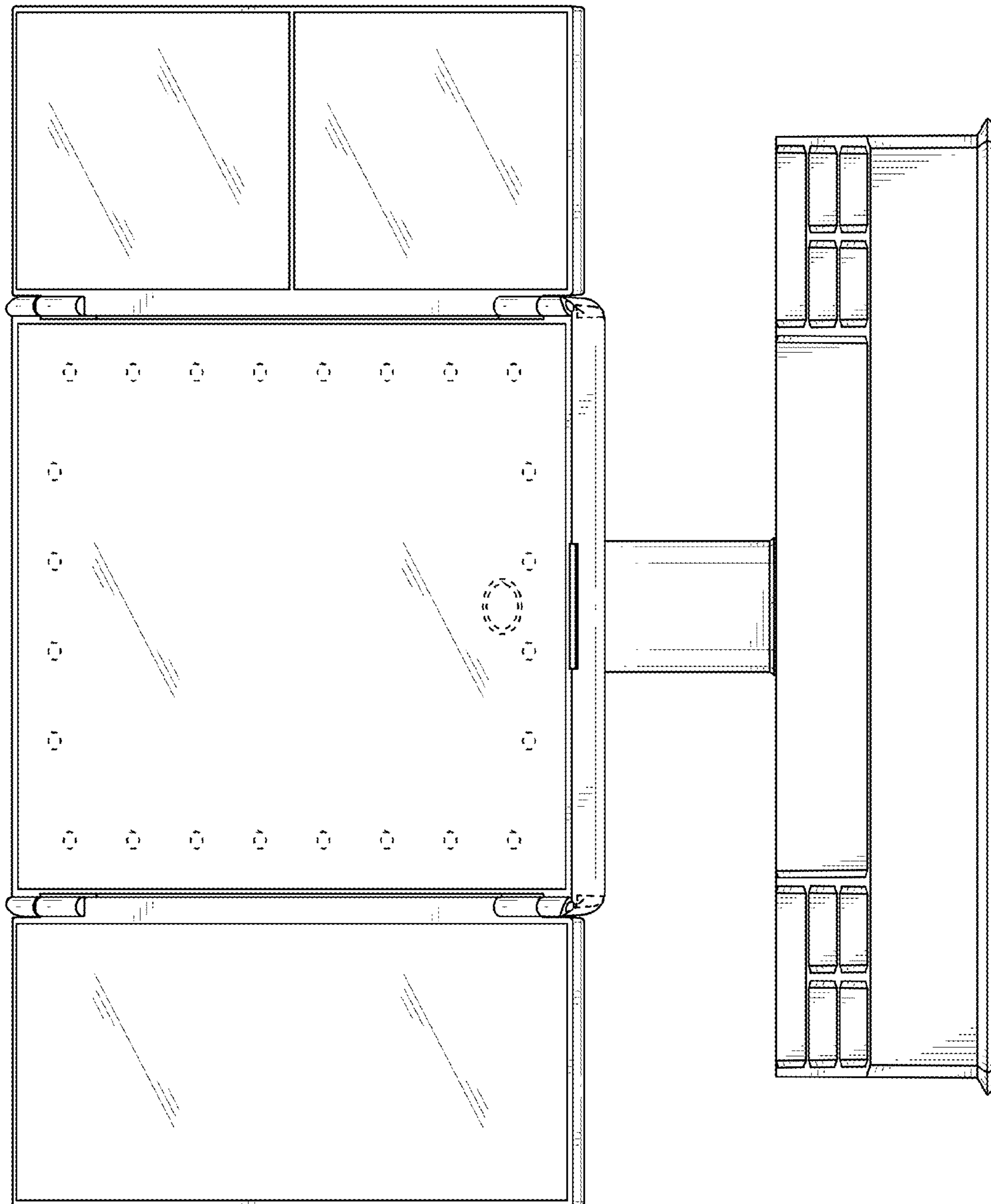


FIG.2

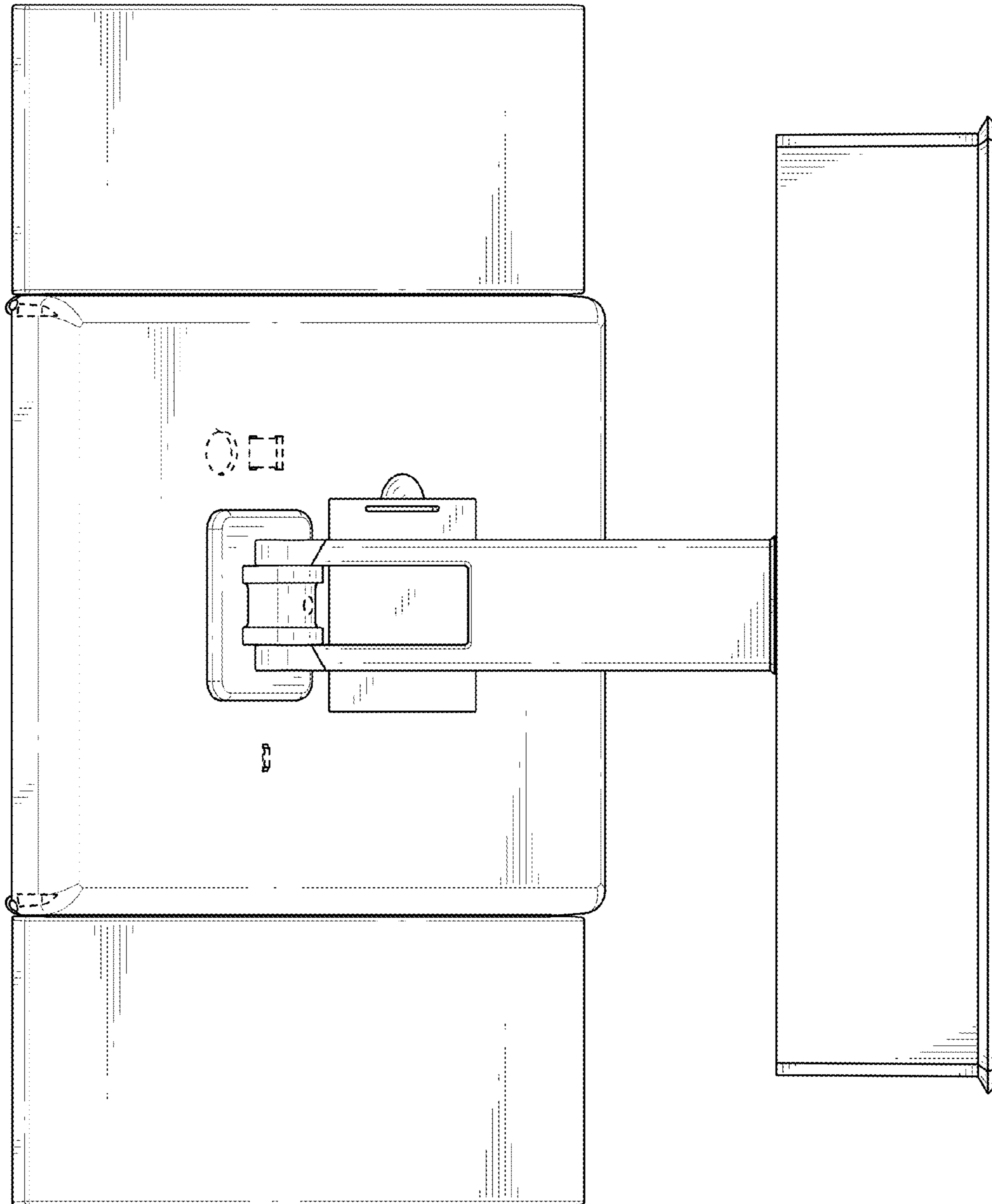


FIG. 3

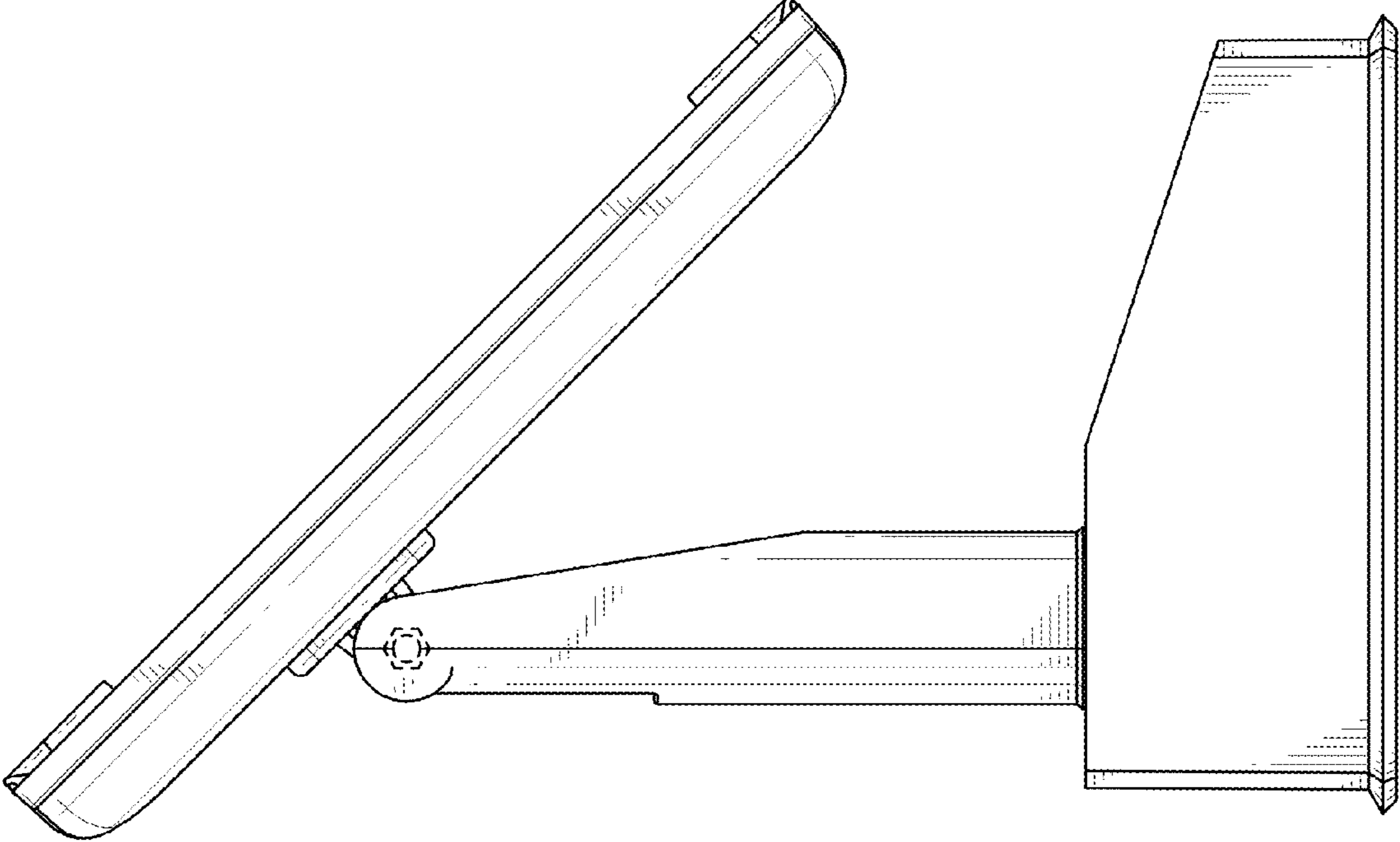


FIG.4

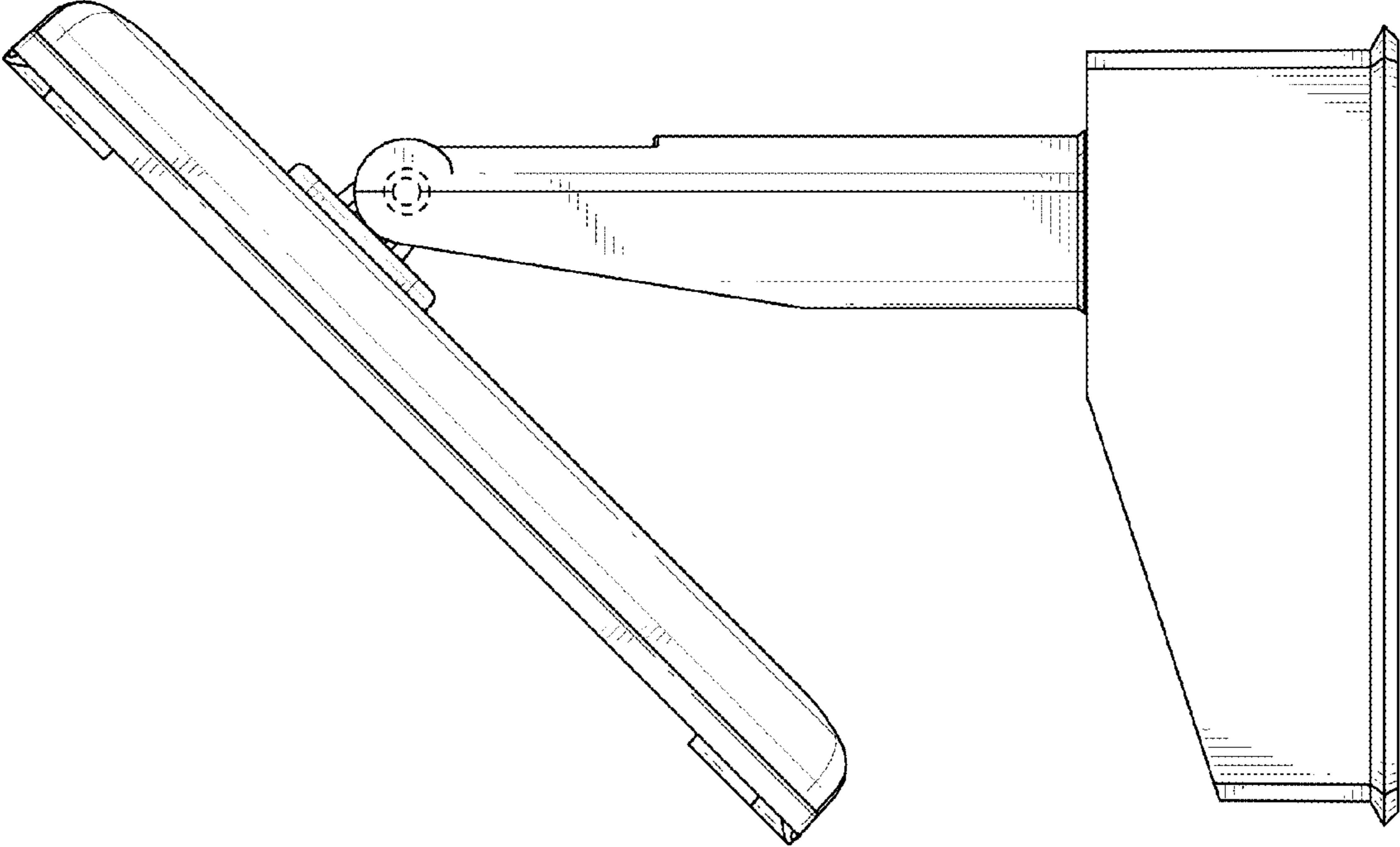


FIG.5

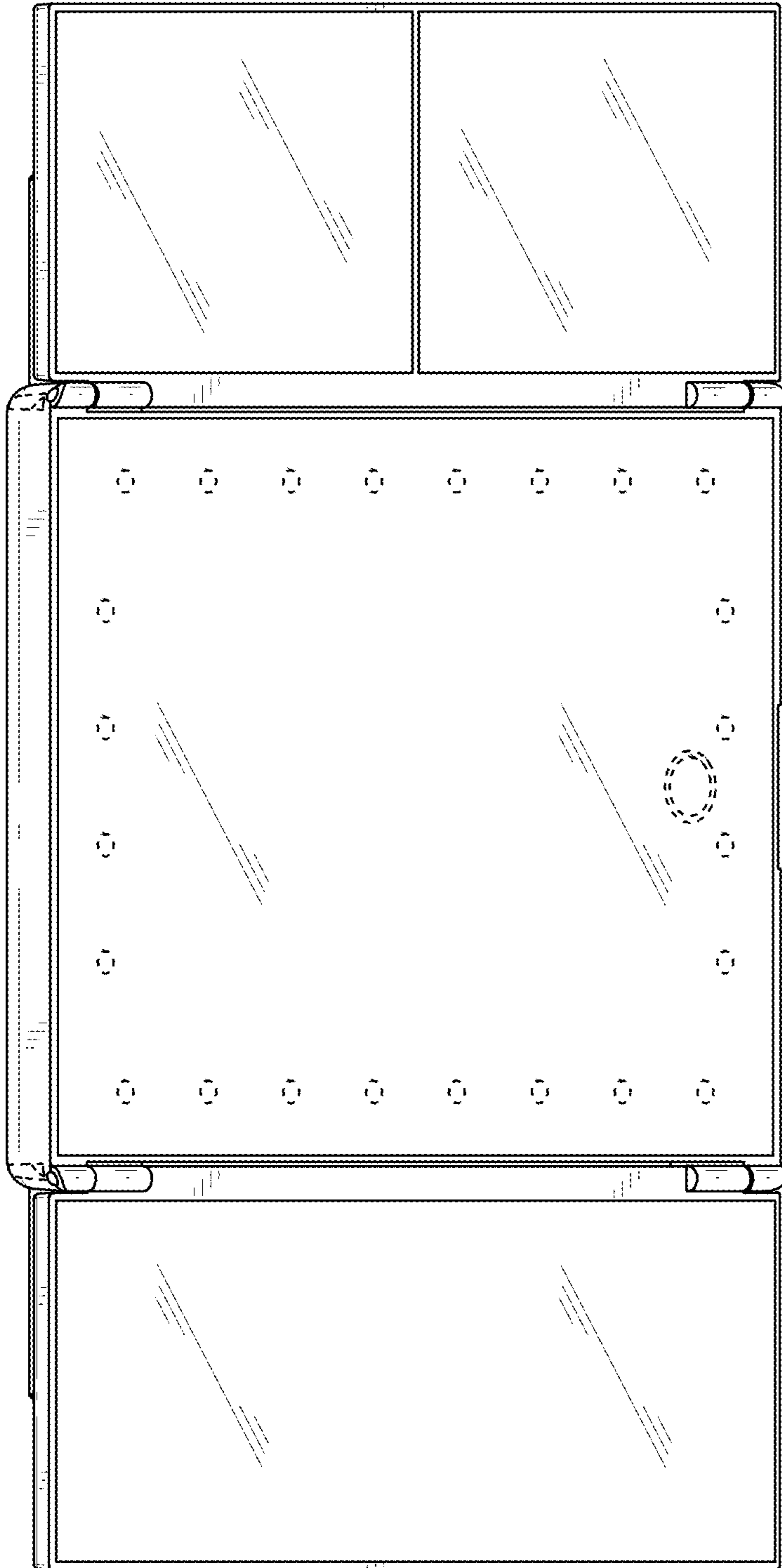


FIG. 6

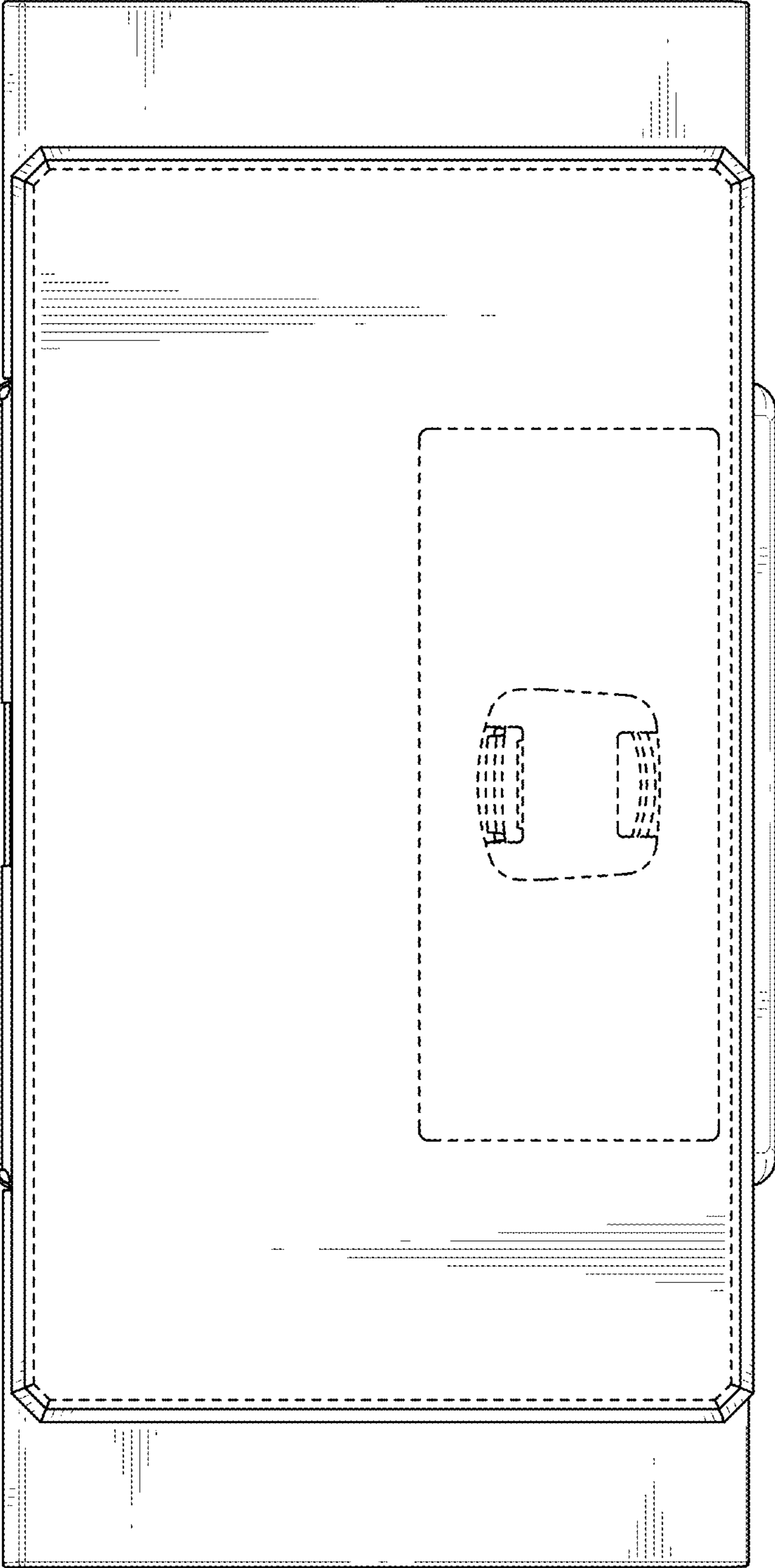


FIG. 7

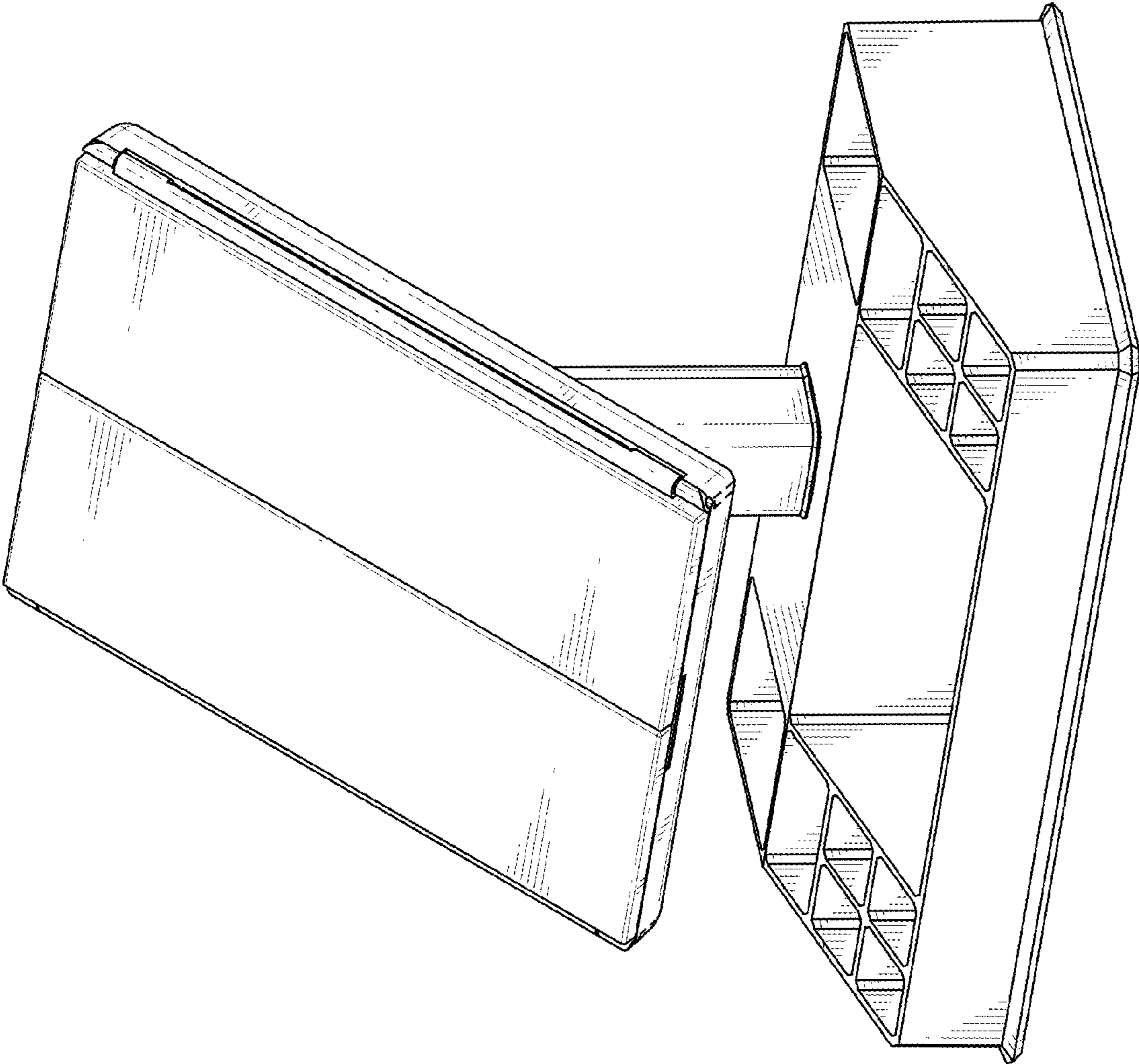


FIG.8