



US00D933370S

(12) **United States Design Patent**
Xiong et al.

(10) **Patent No.:** **US D933,370 S**

(45) **Date of Patent:** **** Oct. 19, 2021**

(54) **COSMETIC BRUSH**

(71) Applicant: **Shasha Xiong**, Shenzhen (CN)

(72) Inventors: **Shasha Xiong**, Shenzhen (CN);
Kaiqiang Qiu, Shenzhen (CN)

(73) Assignee: **Shasha Xiong**, Shenzhen (CN)

(**) Term: **15 Years**

(21) Appl. No.: **29/711,072**

(22) Filed: **Oct. 29, 2019**

(30) **Foreign Application Priority Data**

Sep. 29, 2019 (CN) 201930538571.4

(51) **LOC (13) Cl.** **04-02**

(52) **U.S. Cl.**
USPC **D4/127; D4/132**

(58) **Field of Classification Search**
USPC D4/119, 120, 127, 129, 130, 131, 132,
D4/133, 134, 135, 136, 137, 138, 199;
D28/7

CPC .. A46B 5/02; A46B 9/02; A46B 9/021; A46B
2200/1046

See application file for complete search history.

(56) **References Cited**

U.S. PATENT DOCUMENTS

D130,657 S * 12/1941 Handle D19/187
D475,485 S * 6/2003 Sheng D28/78

D479,429 S * 9/2003 Chan D6/629
D503,044 S * 3/2005 Vaught D4/135
D517,738 S * 3/2006 Lai D28/82
D734,039 S * 7/2015 Pope D4/127
D780,136 S * 2/2017 Chudoba D13/184
D810,680 S * 2/2018 Carreon D13/108
D882,807 S * 4/2020 Xiong D24/214

* cited by examiner

Primary Examiner — Karen E Eldridge Powers

(57) **CLAIM**

The ornamental design for a cosmetic brush, as shown and described.

DESCRIPTION

FIG. 1 is a top, front and right side perspective view of a cosmetic brush showing my new design;

FIG. 2 is a bottom, rear and left side perspective view thereof;

FIG. 3 is a front elevational view thereof;

FIG. 4 is a rear elevational view thereof;

FIG. 5 is a left side elevational view thereof;

FIG. 6 is a right side elevational view thereof;

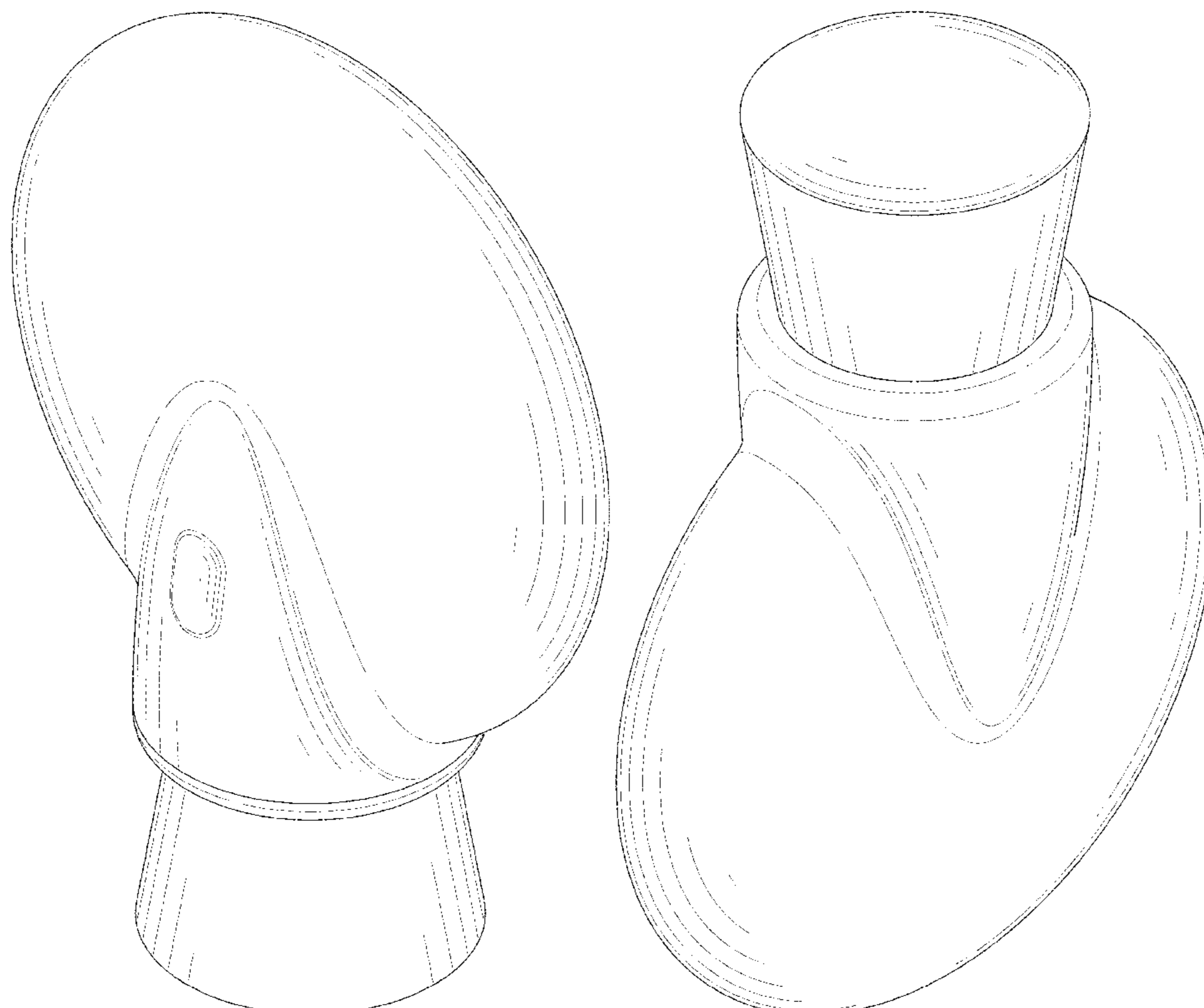
FIG. 7 is a top plan view thereof;

FIG. 8 is a bottom plan view thereof; and,

FIG. 9 is a perspective view of the cosmetic brush in its holder.

The broken lines in the drawings are for the purpose of illustrating portions of the cosmetic brush that form no part of the claimed design.

1 Claim, 9 Drawing Sheets



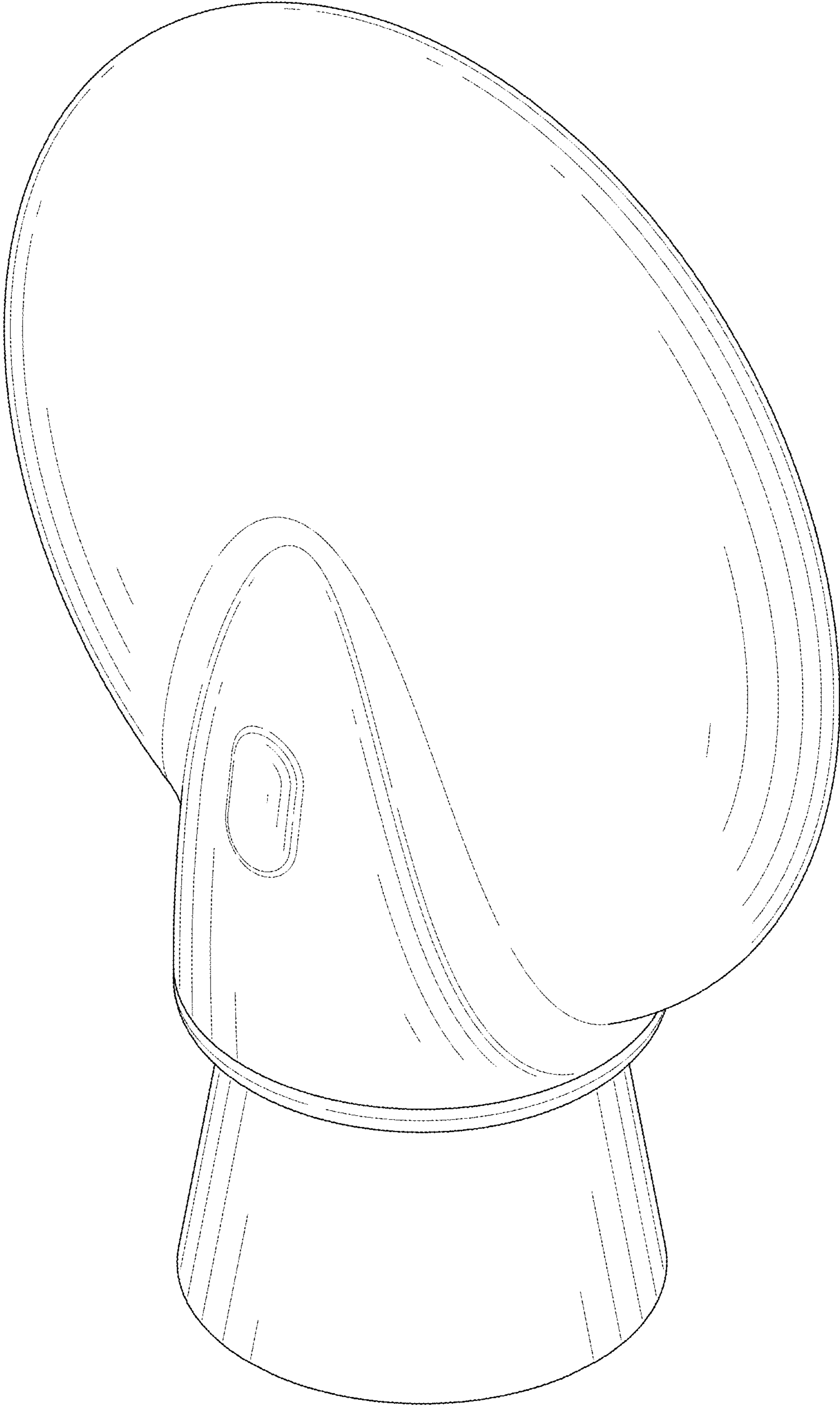


FIG. 1

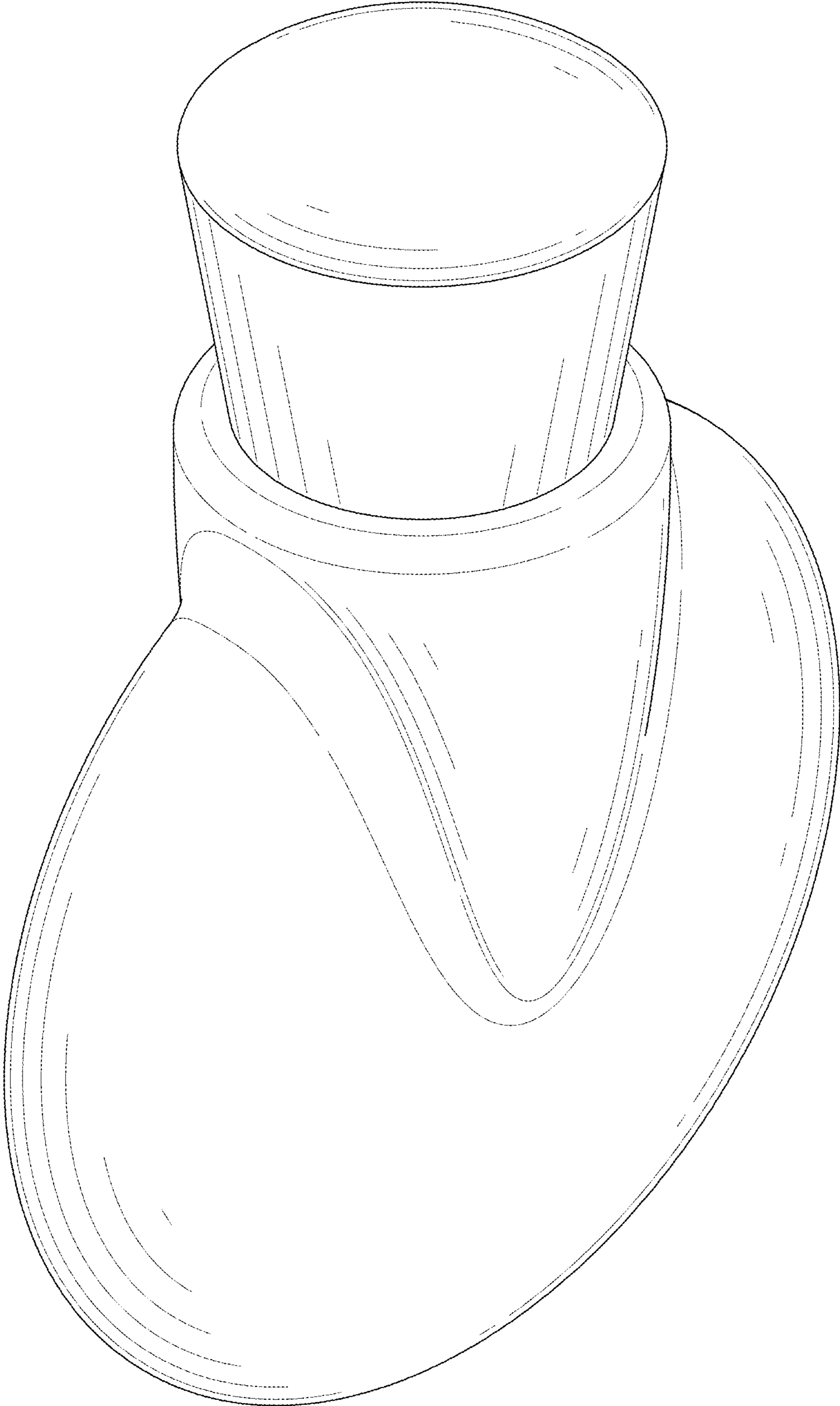


FIG. 2

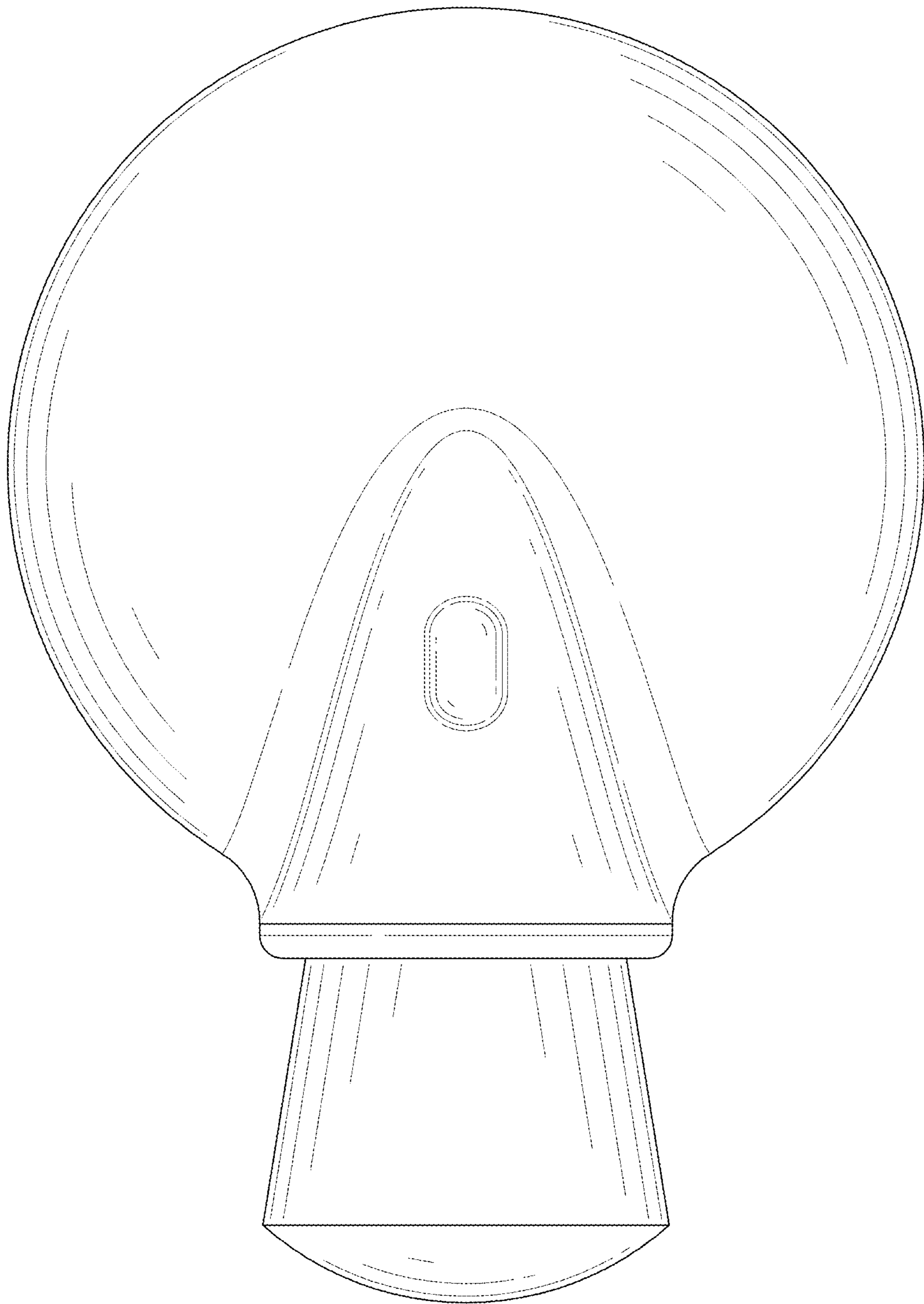


FIG. 3

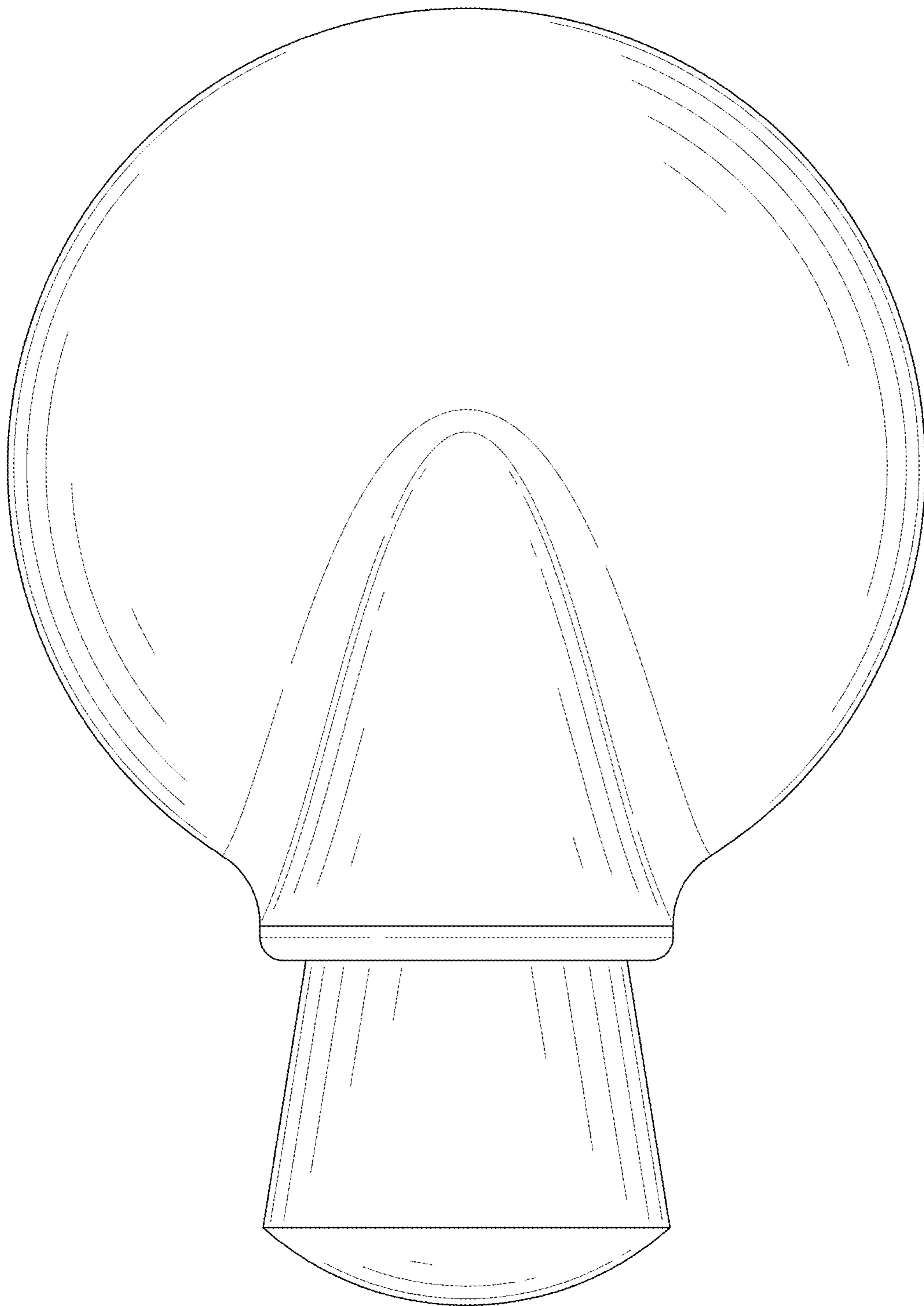


FIG. 4

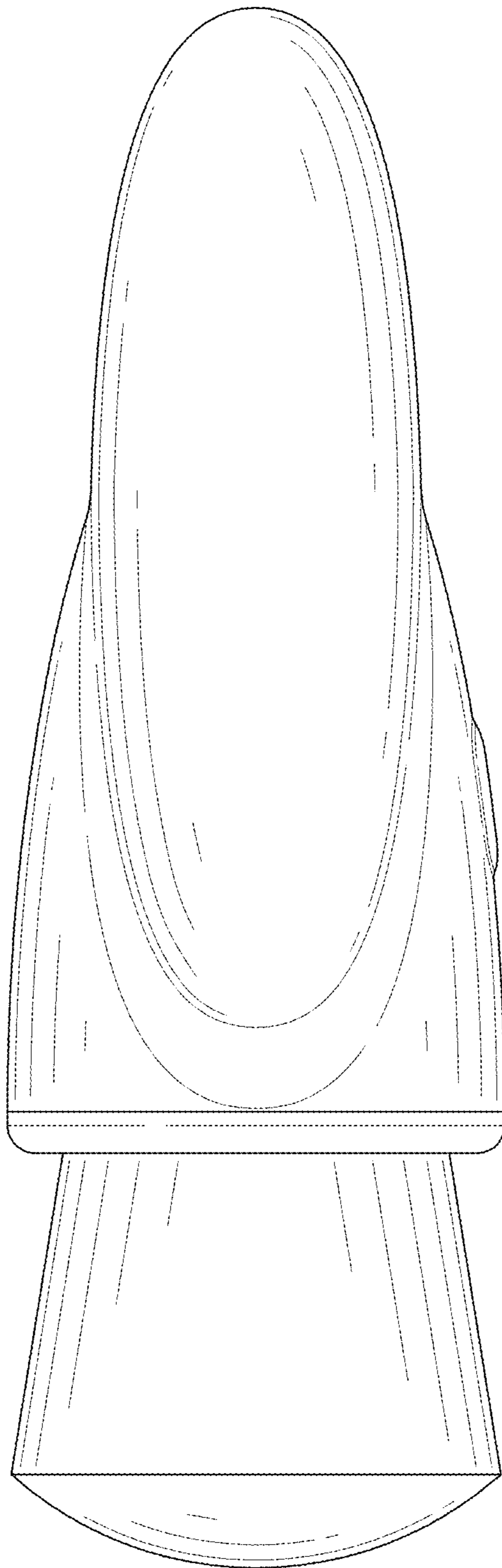


FIG. 5

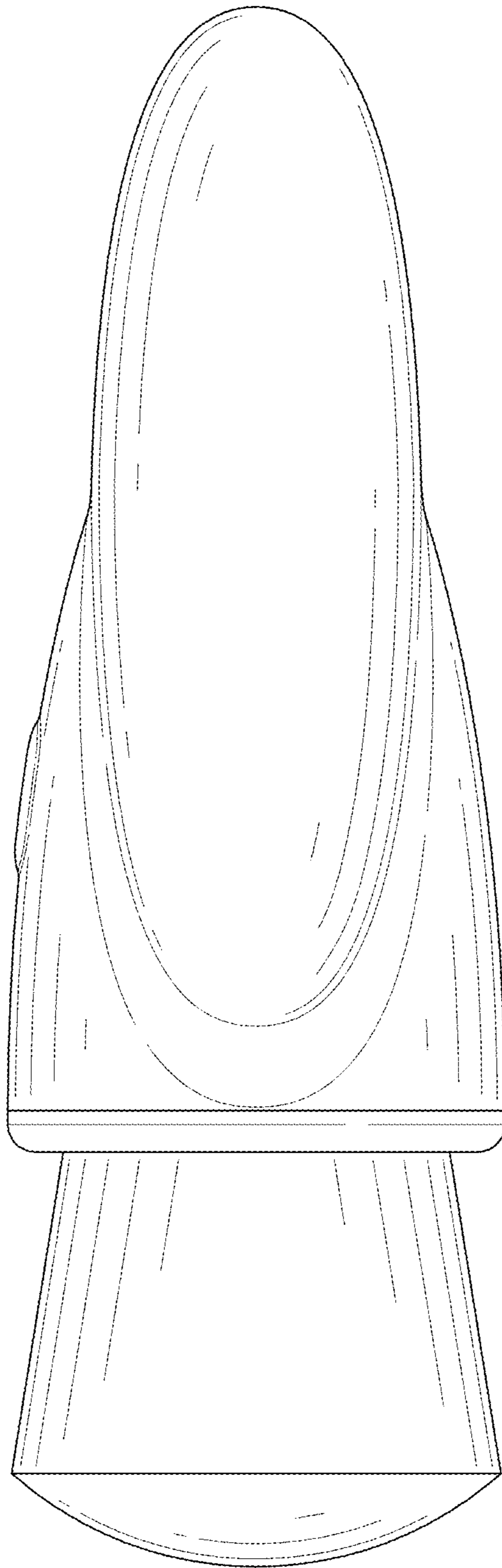


FIG. 6

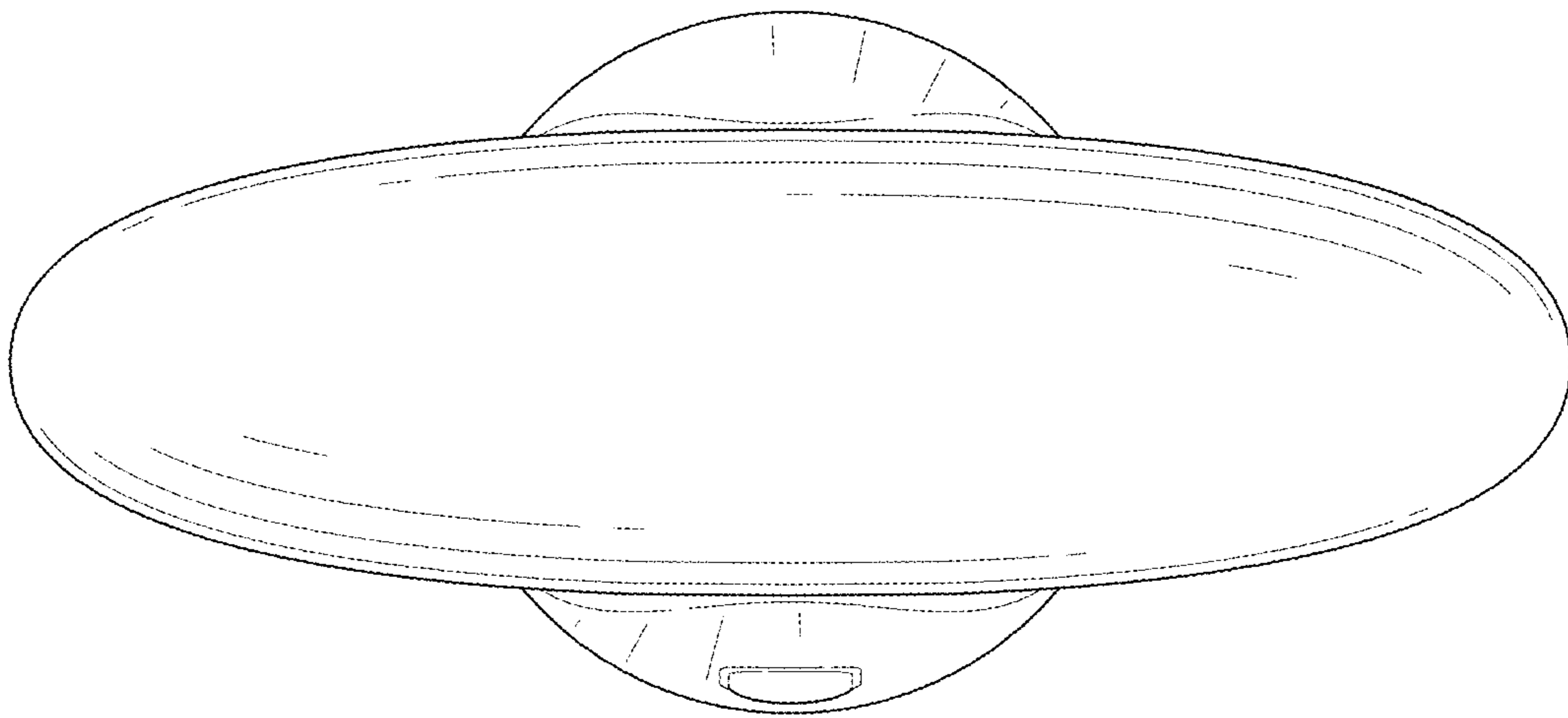


FIG. 7

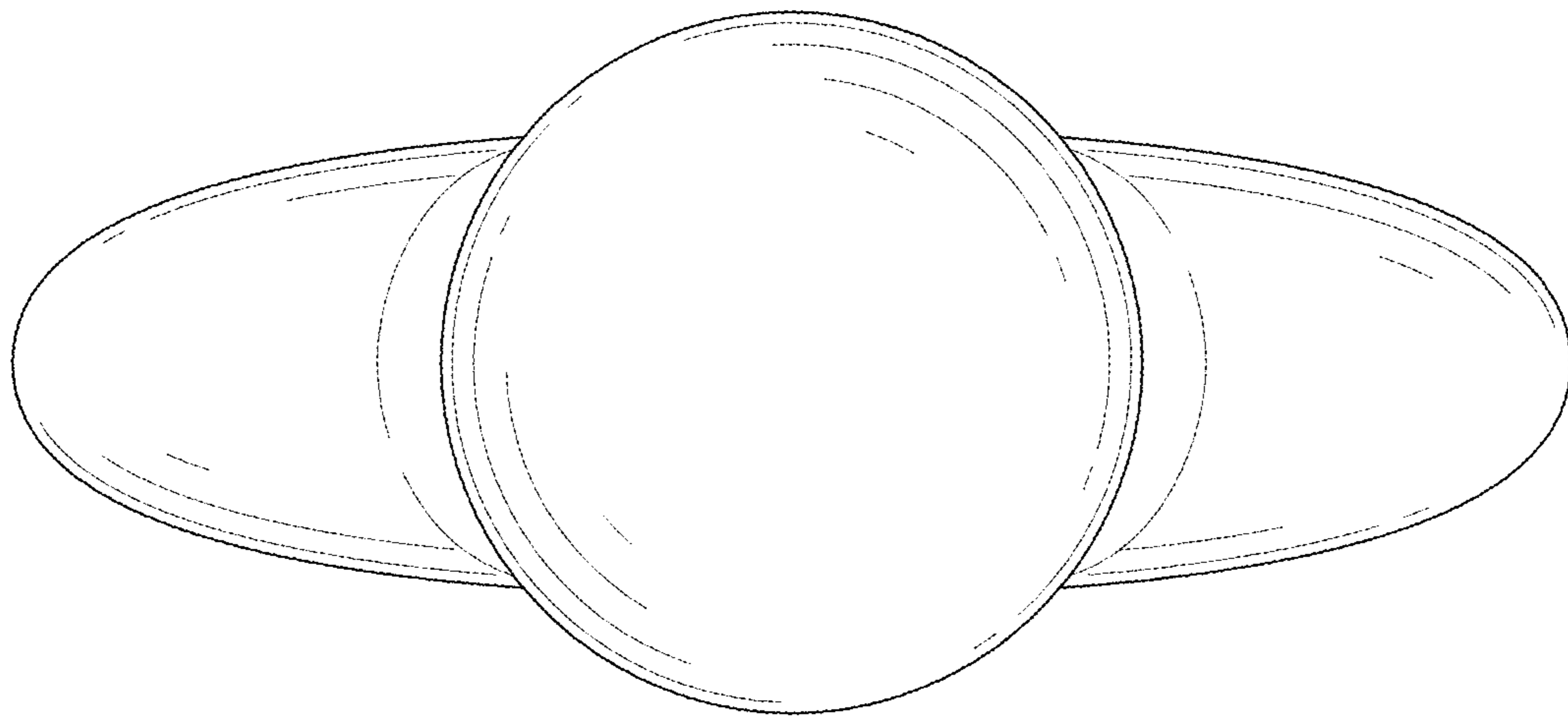


FIG. 8

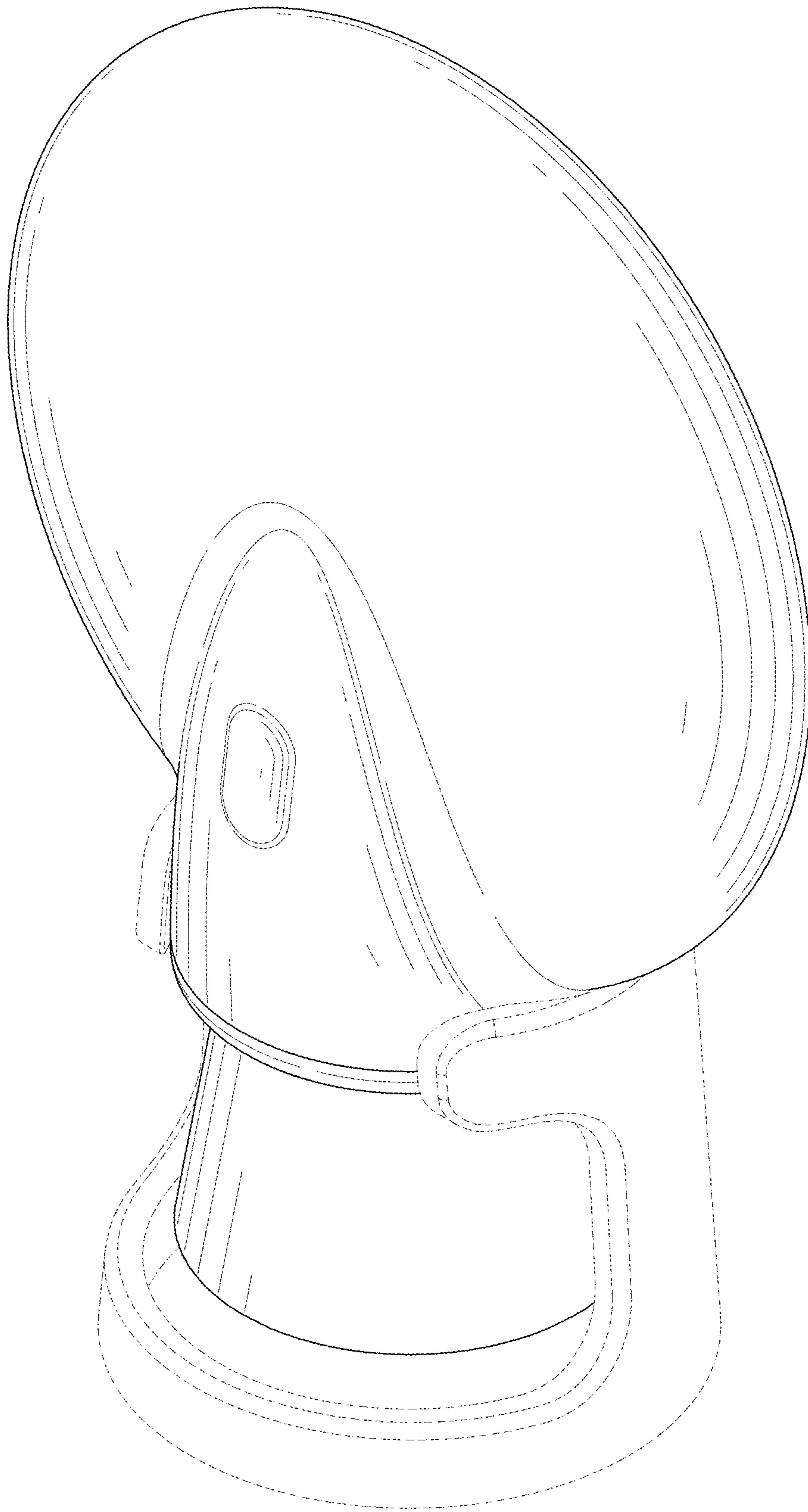


FIG. 9