



US00D933367S

(12) **United States Design Patent** (10) **Patent No.:** **US D933,367 S**
Lee et al. (45) **Date of Patent:** **** Oct. 19, 2021**

(54) **FACE BRUSH**

D891,112 S * 7/2020 Yoon D4/100
D891,113 S * 7/2020 Yoon D4/100
D893,199 S * 8/2020 Sedic D4/137
D918,586 S * 5/2021 Liu D4/100

(71) Applicant: **Kohler (China) Investment Co., Ltd.**,
Shanghai (CN)

(72) Inventors: **Chia Ying Lee**, Shanghai (CN); **Fei Ying Su**, Shanghai (CN); **Ji Min Niu**, Beijing (CN); **Hui Ren**, Beijing (CN)

(73) Assignee: **Kohler (China) Investment Co., Ltd.**,
Shanghai (CN)

(**) Term: **15 Years**

(21) Appl. No.: **29/757,871**

(22) Filed: **Nov. 10, 2020**

(30) **Foreign Application Priority Data**

May 12, 2020 (CN) 202030214794.8

(51) **LOC (13) Cl.** **28-03**

(52) **U.S. Cl.**
USPC **D4/100; D4/127; D4/134**

(58) **Field of Classification Search**
USPC D4/100, 102, 121, 127, 126, 128, 129,
D4/130, 132, 133, 134, 135, 136, 138,
D4/199; D24/211, 214, 215; D30/158,
D30/159, 160; D32/35
CPC A46B 2200/1006; A46B 2200/102; A46B
2200/10

See application file for complete search history.

(56) **References Cited**

U.S. PATENT DOCUMENTS

D625,426 S * 10/2010 Robins D24/214
D737,990 S * 9/2015 Lee D24/215
D845,631 S * 4/2019 Sedic D4/100
10,307,330 B1 * 6/2019 Sedic A61H 23/02

FOREIGN PATENT DOCUMENTS

CN 305442698 * 11/2019
CN 305729143 * 4/2020
CN 305951921 * 7/2020
CN 306014697 * 8/2020
JP D1646138 * 11/2019

* cited by examiner

Primary Examiner — Karen E Eldridge Powers

(74) *Attorney, Agent, or Firm* — Foley & Lardner LLP

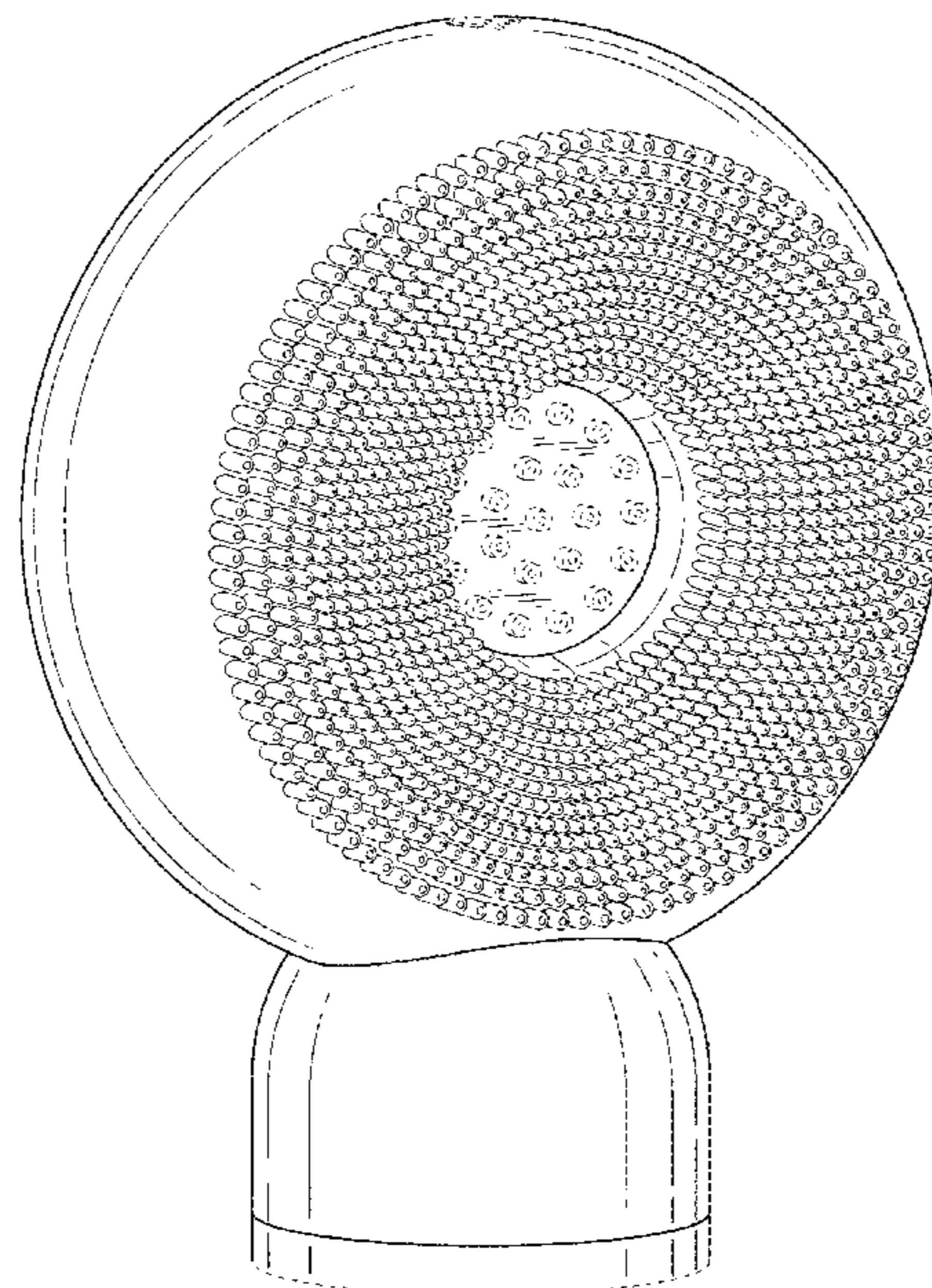
(57) **CLAIM**

We claim the ornamental design for a face brush, as shown and described.

DESCRIPTION

FIG. 1 is a perspective view of the claimed design;
FIG. 2 is a front elevation view of the embodiment of FIG. 1;
FIG. 3 is a rear elevation view of the embodiment of FIG. 1;
FIG. 4 is a side elevation view of the embodiment of FIG. 1;
FIG. 5 is an opposite, side elevation view of the embodiment shown in FIG. 4;
FIG. 6 is a top plan view of the embodiment of FIG. 1; and,
FIG. 7 is a bottom plan view of the embodiment of FIG. 1.
The broken lines in the drawings are for illustrative purposes only, wherein the broken lines formed by equal length dashes show unclaimed subject matter and the broken lines formed by unequal length (i.e., dash-dot) dashes define the bounds of the claim. None of the broken lines form part of the claimed design.

1 Claim, 6 Drawing Sheets



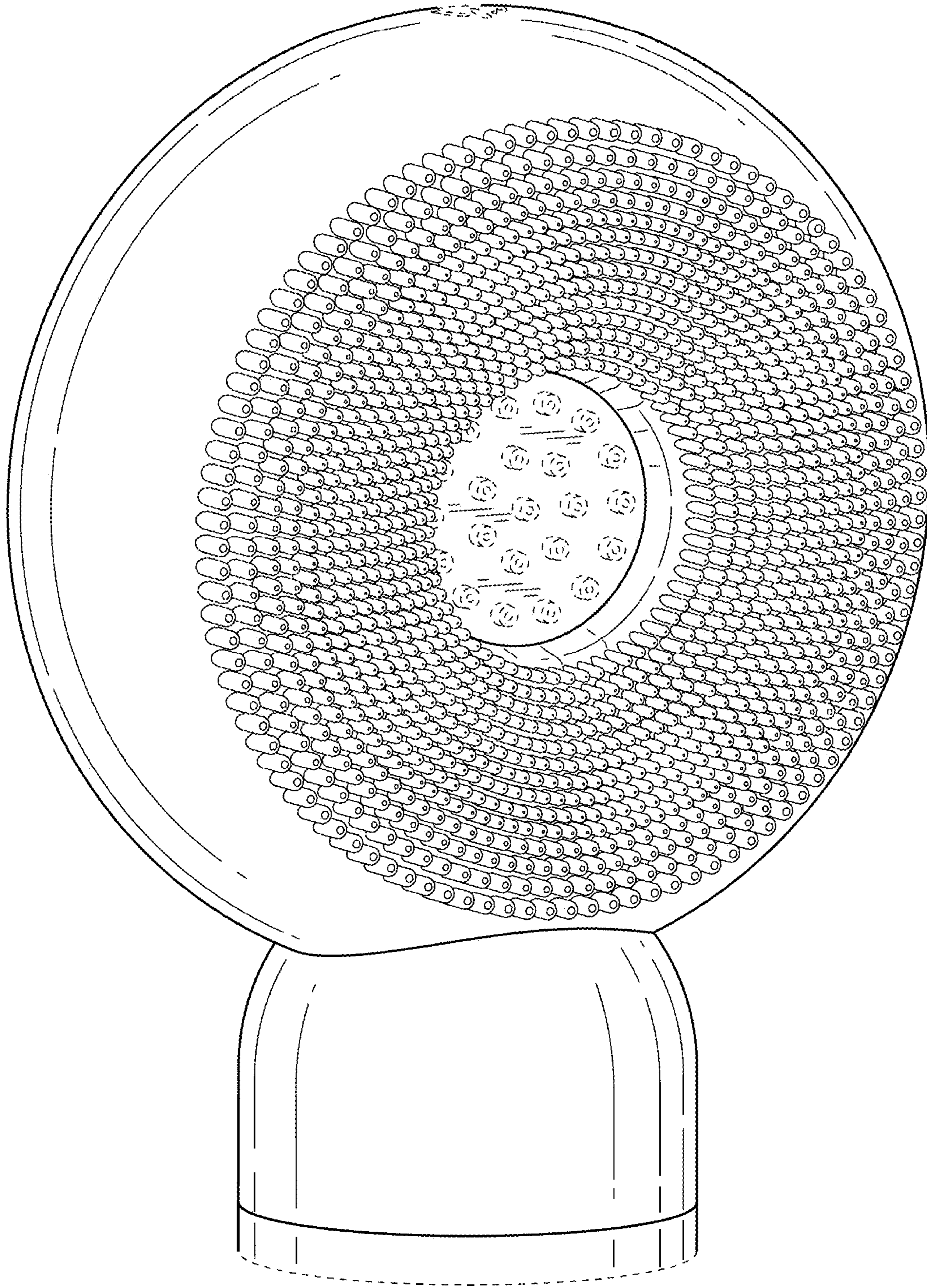


FIG. 1

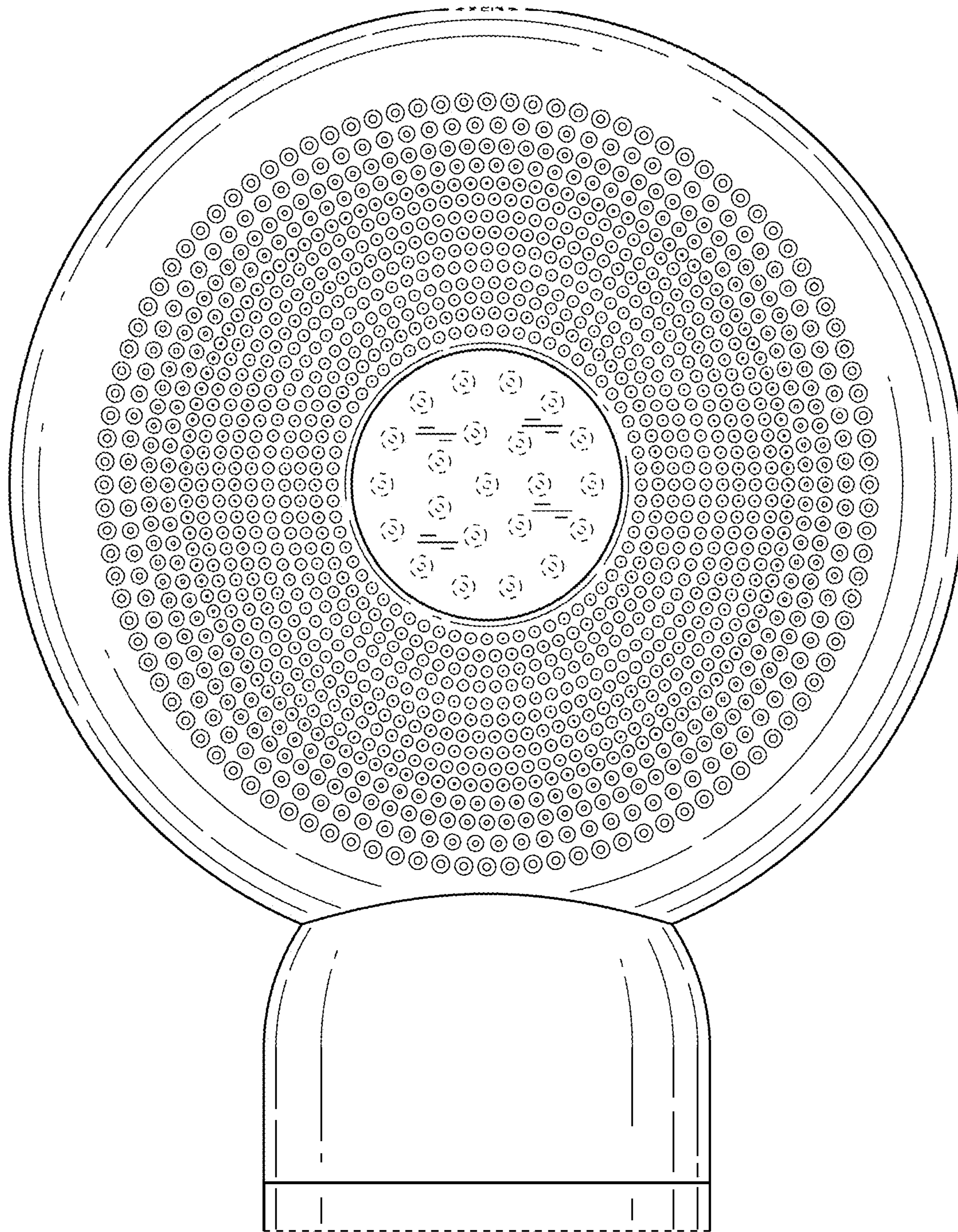


FIG. 2

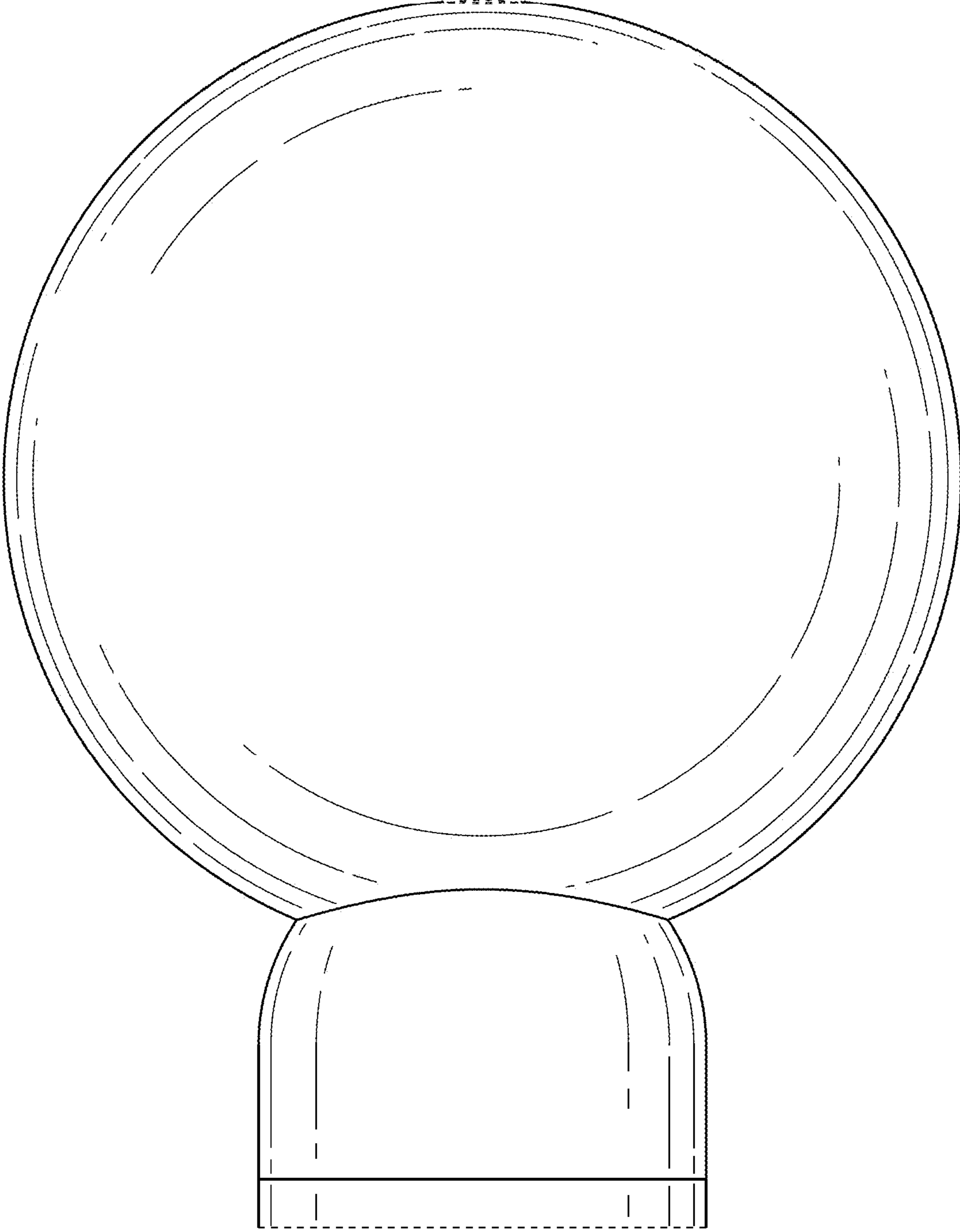


FIG. 3

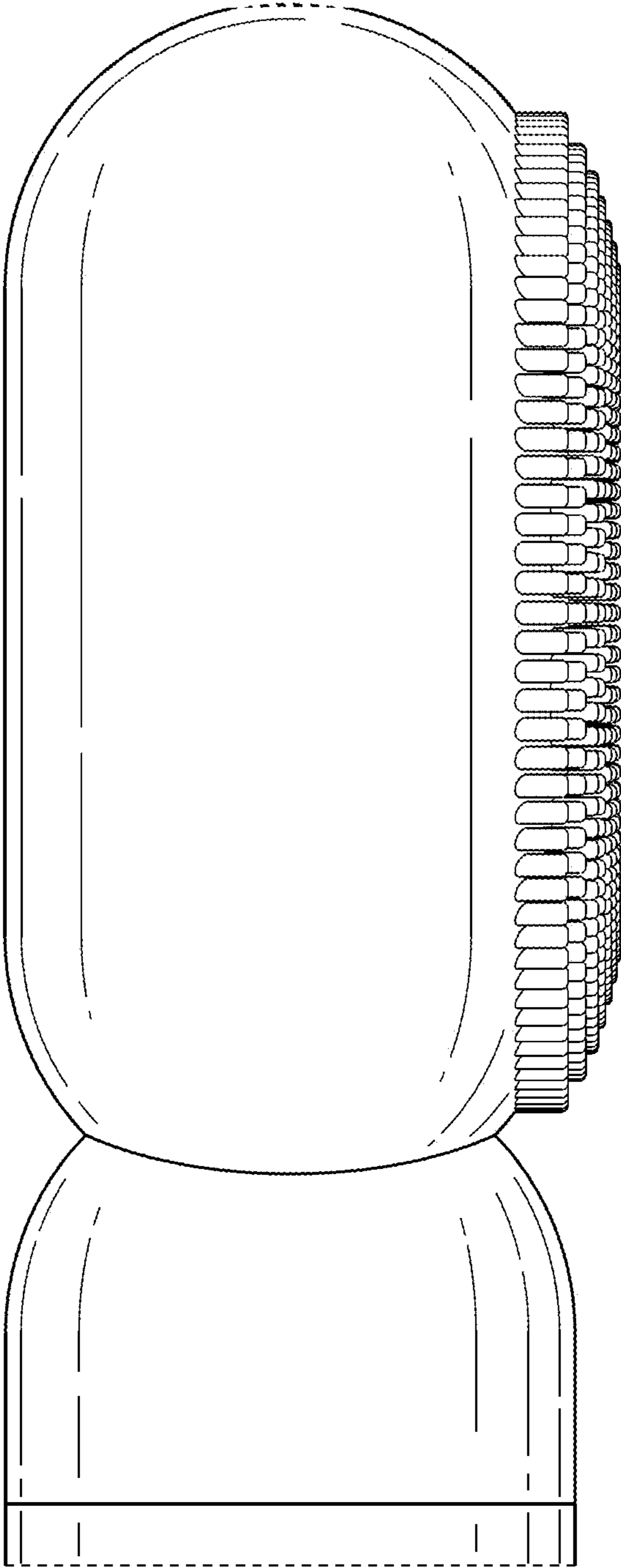


FIG. 4

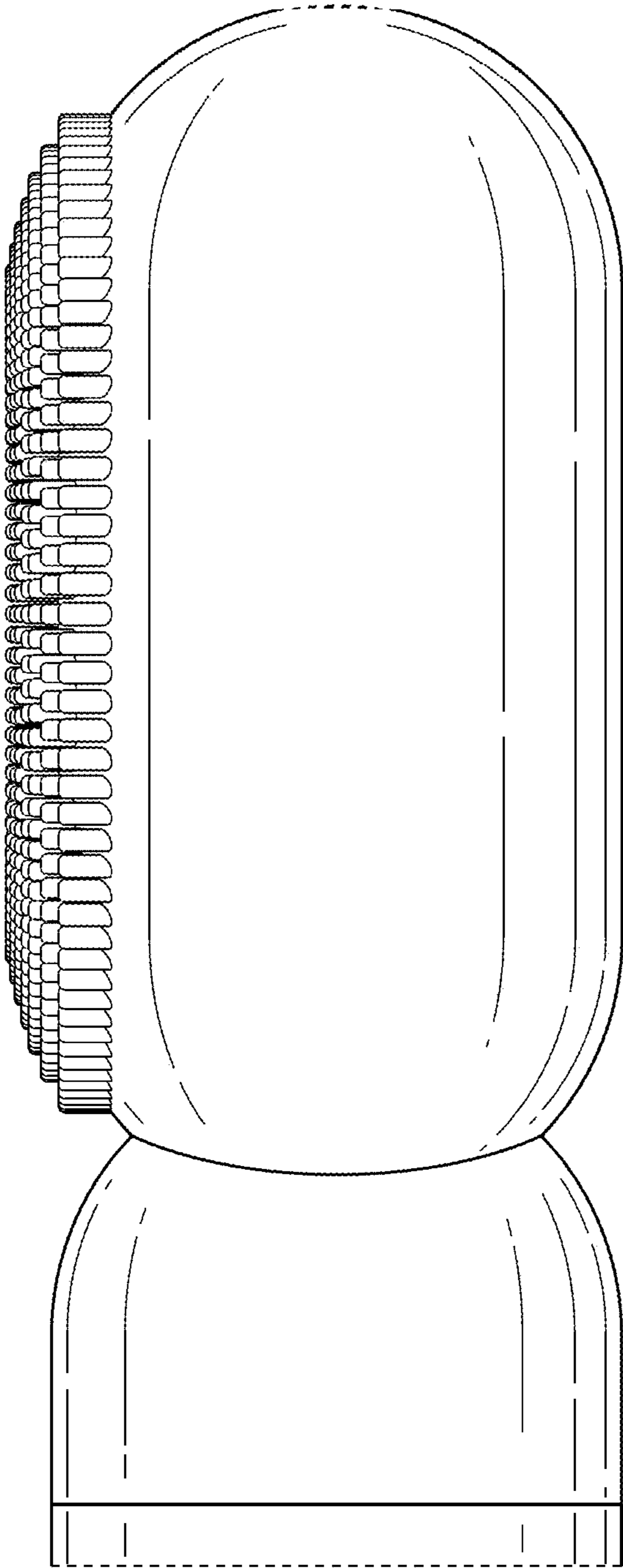


FIG. 5

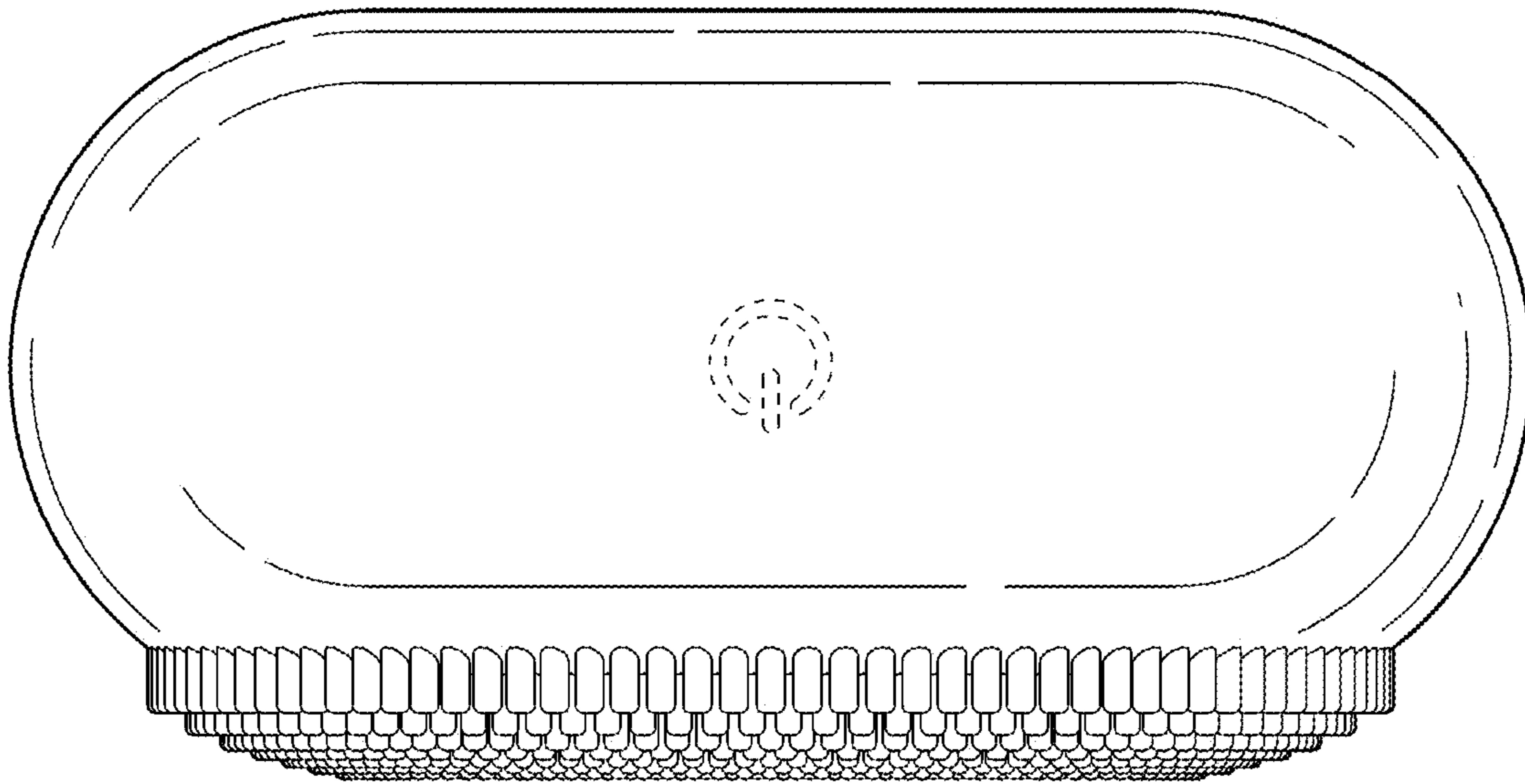


FIG. 6

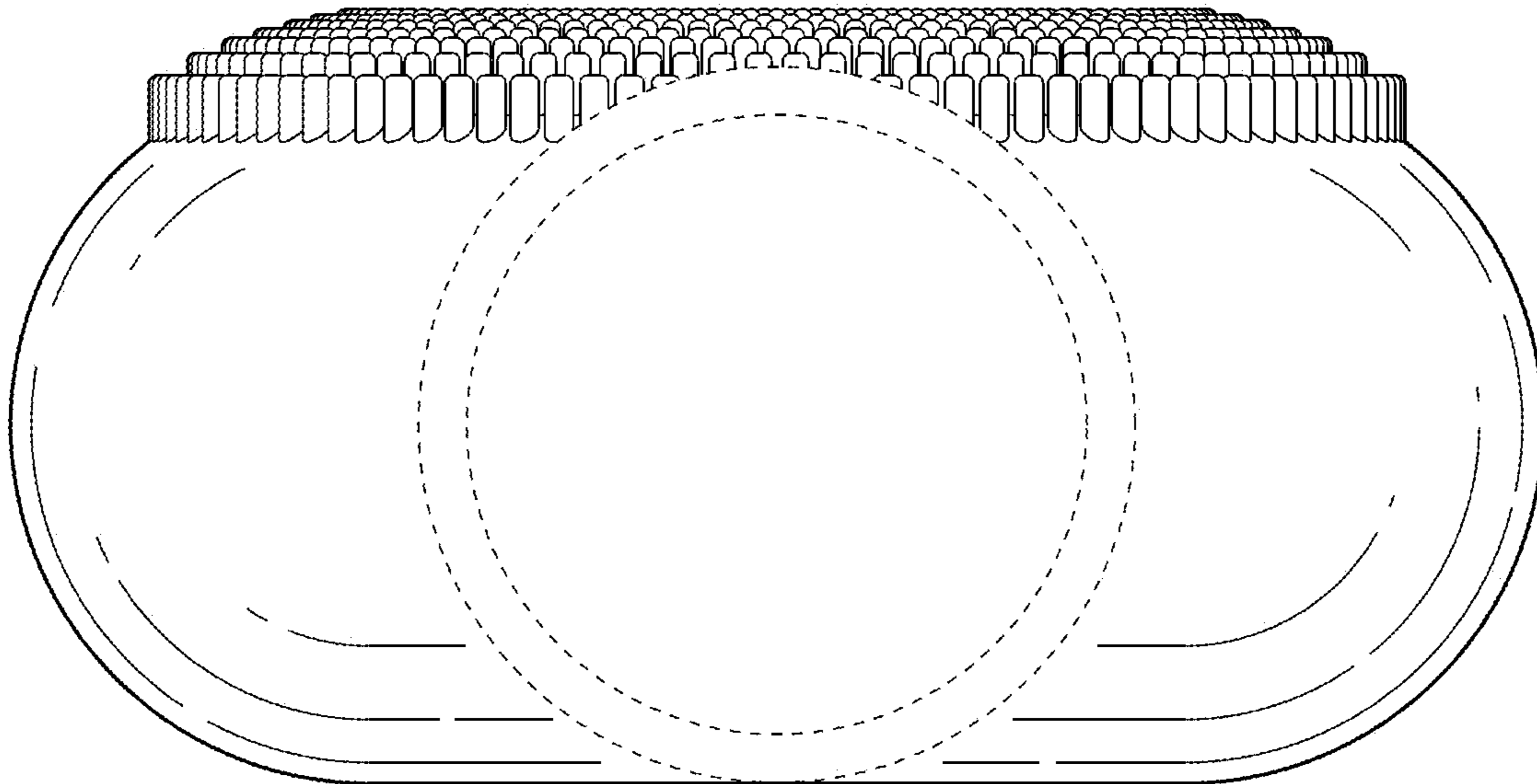


FIG. 7